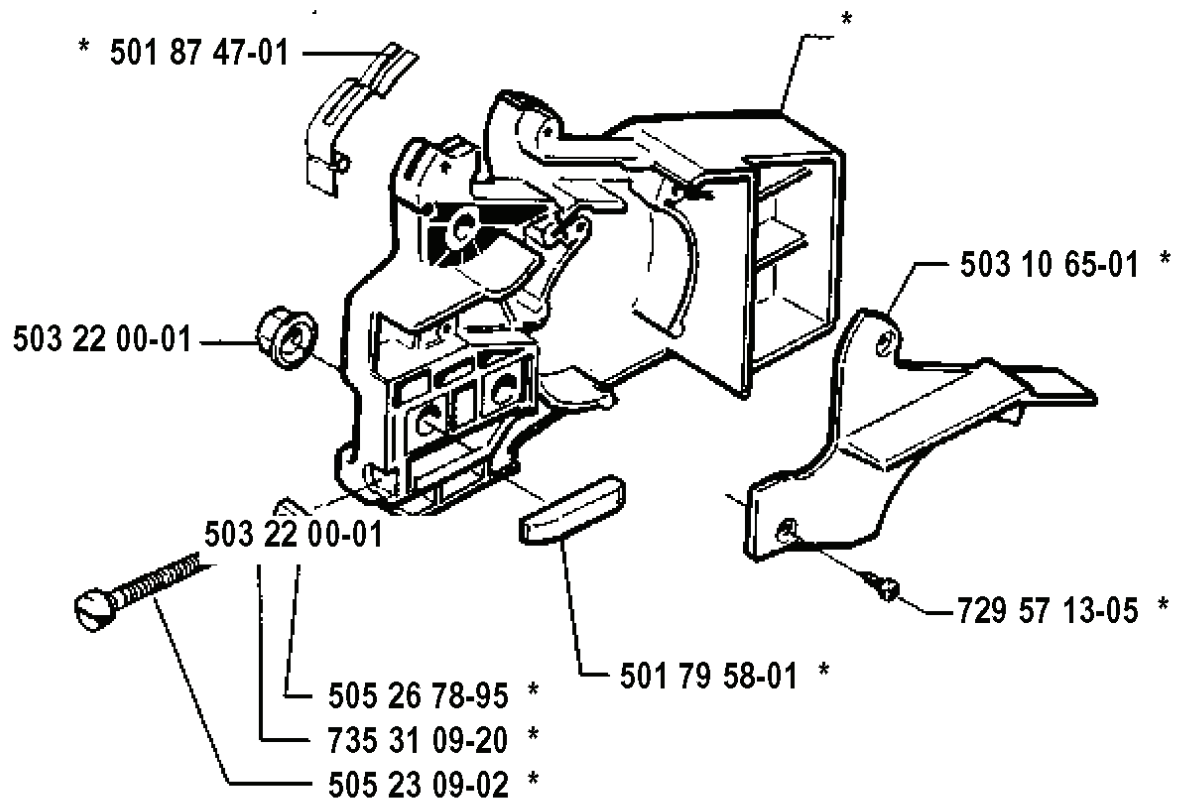
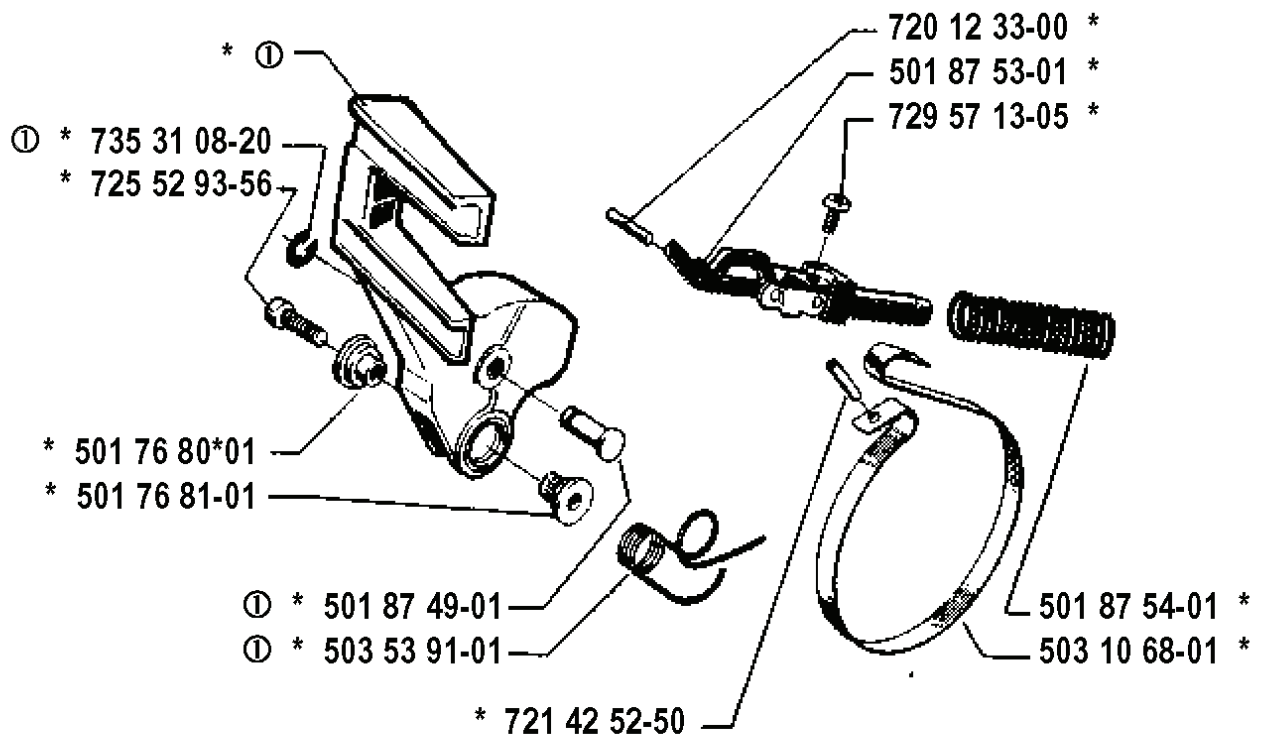


45, 19902200001-19912200000

---

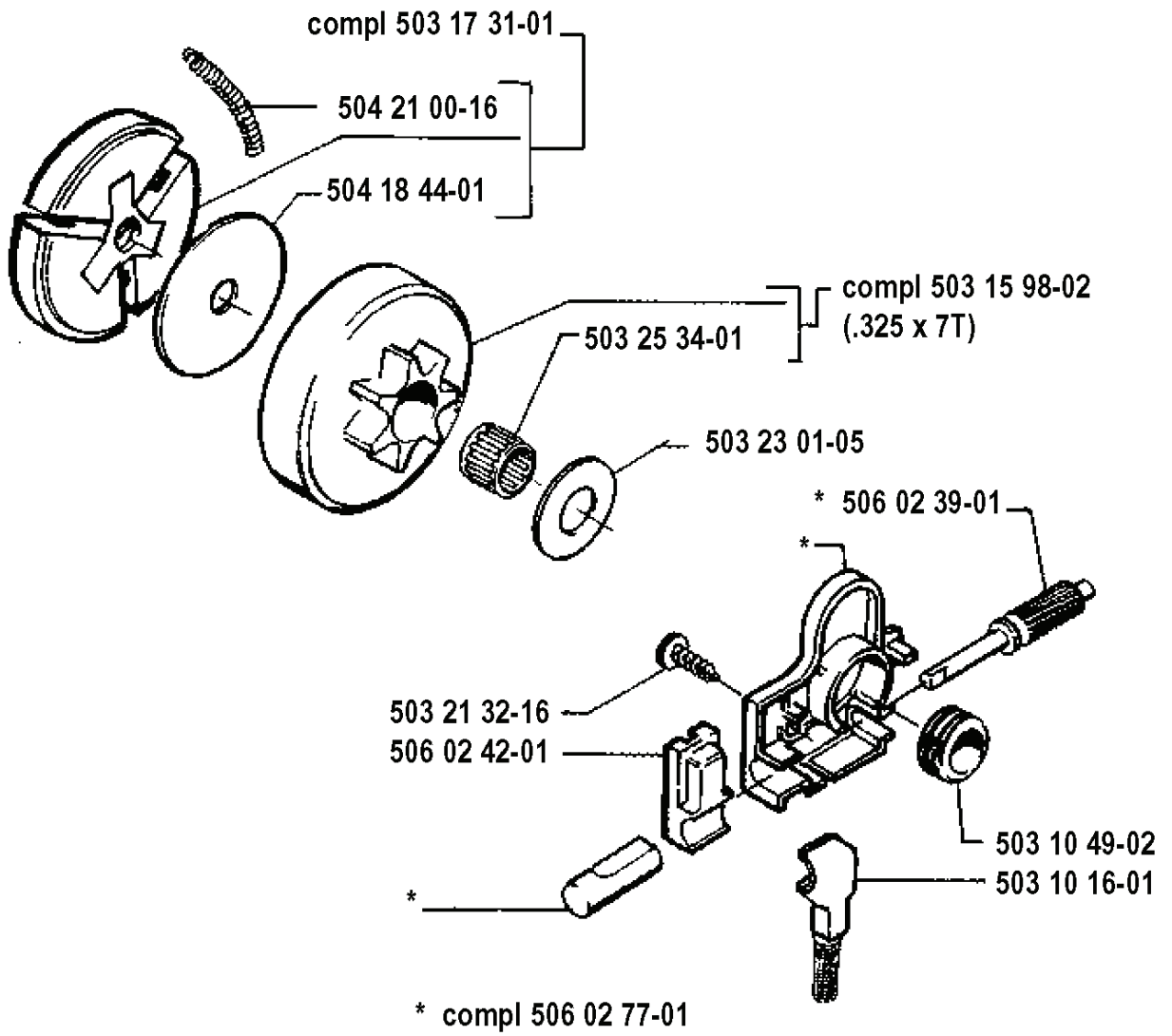
# **SPARE PARTS LIST**

**A** \* compl 503 10 63-01  
 ① compl 503 10 66-02



REF.	PART NO.	DESCRIPTION	REMARK	QTY.	KIT
503 10 63-01	503106301	CHAIN BRAKE ASSY		1	
503 10 66-02	503106602	HAND GUARD ASSY		1	
735 31 08-20	735310820	E-CLIP		1	
725 52 93-56	725529356	SCREW IHSCM		1	
501 76 80-01	501768001	SHAFT		1	
501 76 81-01	501768101	SHAFT		1	
501 87 49-01	501874901	PIVOT PIN		1	
503 53 91-01	503539101	POSITION SPRING		1	
721 42 52-50	721425250	SPRING PIN		1	
501 87 47-01	501874701	SPRING		1	
503 22 00-01	503220001	HEXAGON NUT		1	
505 26 78-95	505267895	PAWL		1	
735 31 09-20	735310920	E-CLIP		1	
505 23 09-02	505230902	SCREW		1	
501 79 58-01	501795801	CHAIN GUIDE		1	
503 10 65-01	503106501	HUB CAP		1	
503 10 68-01	503106801	BRAKE BAND		1	
501 87 54-01	501875401	BRAKE SPRING		1	
729 57 13-05	729571305	SCREW CRPANT		1	
501 87 53-01	501875301	KNEE JOINT ASSY		1	
720 12 33-00	720123300	PARALLEL PIN		1	

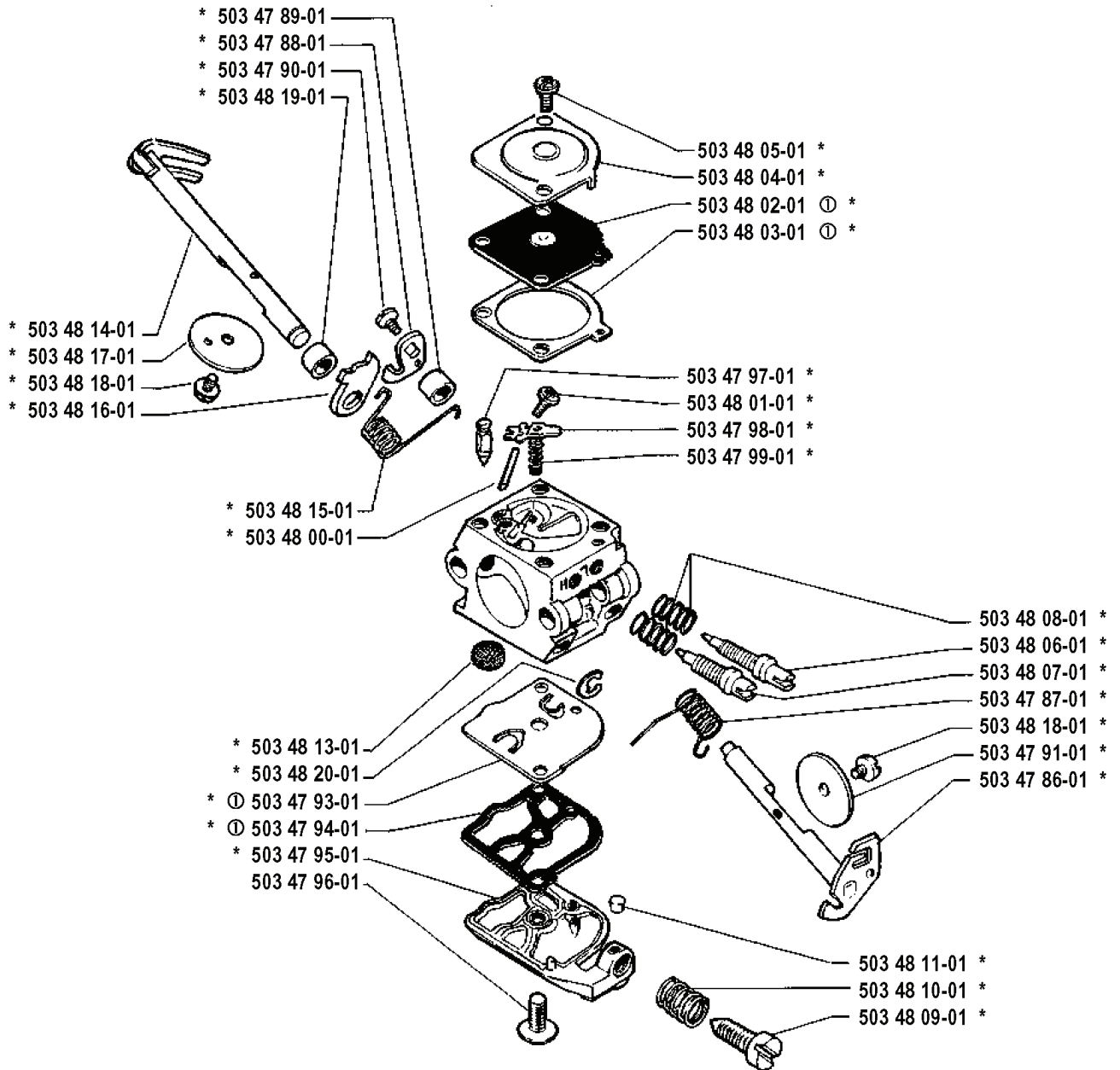
J



REF.	PART NO.	DESCRIPTION	REMARK	QTY.	KIT
503 17 31-01	503173101	CLUTCH ASSY		1	
504 21 00-16	504210016	CLUTCH SPRING		1	
504 18 44-01	504184401	WASHER		1	
503 21 32-16	503213216	SCREW CITXPANT		1	
506 02 42-01	506024201	PRESSURE PIPE		1	
506 02 77-01	506027701	OIL PUMP ASSY		1	
503 10 16-01	503101601	SUCTION HOSE ASSY		1	
503 10 49-02	503104902	PUMP PINION		1	
506 02 39-01	506023901	PUMP PISTON		1	
503 23 01-05	503230105	WASHER		1	
503 25 34-01	503253401	NEEDLE BEARING		1	
503 15 98-02	503159802	CLUTCH DRUM	.325 X 7T	1	

**M** \* compl 503 28 31-01

## ZAMA C1Q-EL1

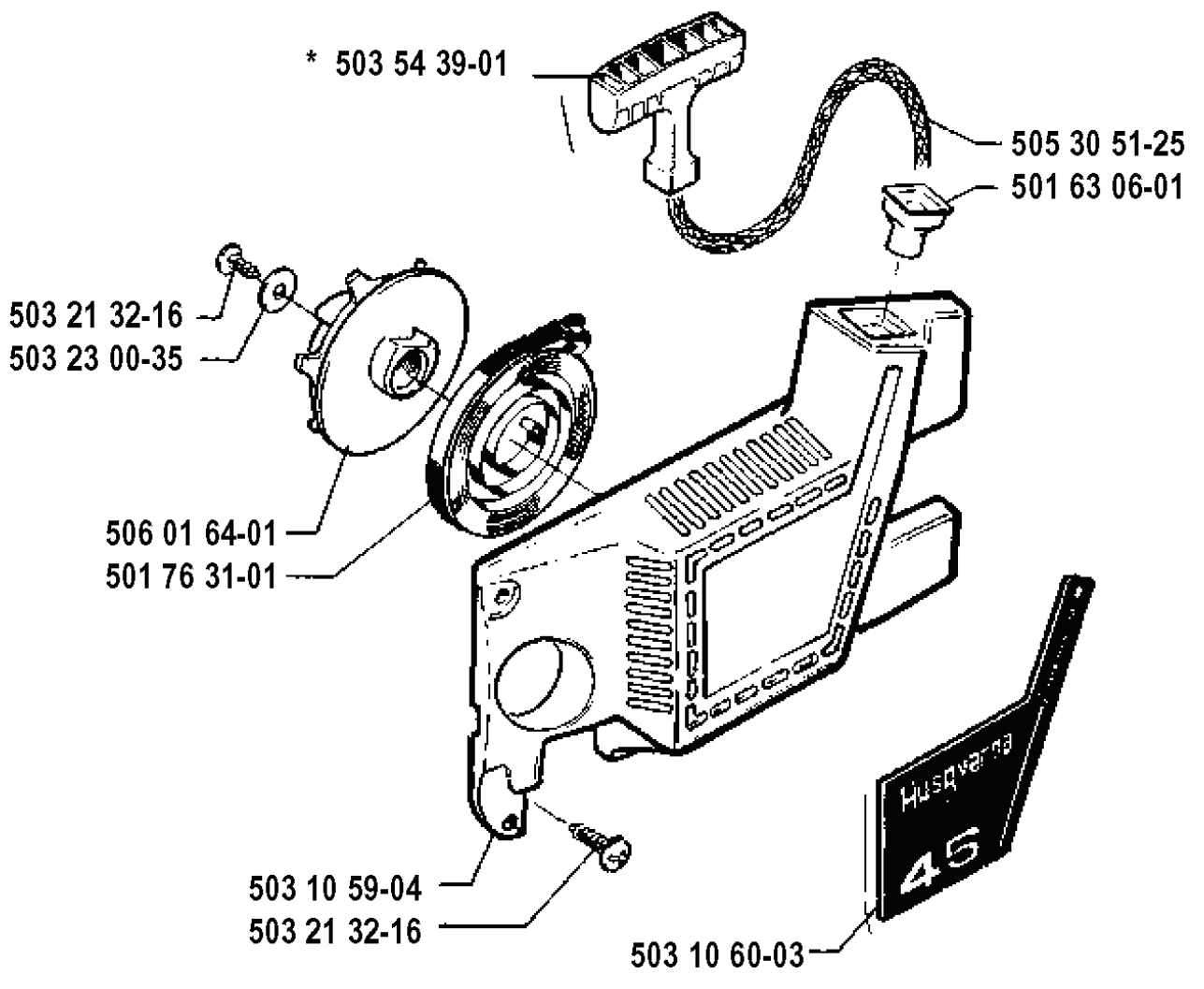


Ⓛ 503 48 21-01

**Set of gaskets**  
**Dichtungssatz**  
**Jeu de joints**  
**Juego de Juntas**  
**Packningssats**

REF.	PART NO.	DESCRIPTION	REMARK	QTY.	KIT
503 28 31-01	503283101	CARBURETTOR		1	
503 47 89-01	503478901	COLLAR		1	
503 47 88-01	503478801	LEVER		1	
503 47 90-01	503479001	SCREW		1	
503 48 19-01	503481901	COLLAR		1	
503 48 14-01	503481401	SHAFT ASSY		1	
503 48 17-01	503481701	VALVE		1	
503 48 16-01	503481601	LEVER		1	
503 48 15-01	503481501	SPRING		1	
503 48 00-01	503480001	PIN RETAINING SCREW		1	
503 48 13-01	503481301	STRAINER		1	
503 48 20-01	503482001	CLIP		1	
503 47 93-01	503479301	DIAPHRAGM PUMP	503 48 21-01 SET OF GASKETS	1	
503 47 94-01	503479401	GASKET	503 48 21-01 SET OF GASKETS	1	
503 47 95-01	503479501	COVER		1	
503 47 96-01	503479601	SCREW		1	
503 48 09-01	503480901	SCREW		1	
503 48 10-01	503481001	SPRING		1	
503 48 11-01	503481101	PIECE		1	
503 47 86-01	503478601	SHAFT ASSY		1	
503 47 91-01	503479101	VALVE		1	
503 48 18-01	503481801	SCREW		1	
503 47 87-01	503478701	SPRING		1	
503 48 07-01	503480701	SCREW		1	
503 48 06-01	503480601	SCREW		1	
503 48 08-01	503480801	SPRING		1	
503 47 99-01	503479901	SPRING		1	
503 47 98-01	503479801	LEVER		1	
503 48 01-01	503480101	SCREW		1	
503 47 97-01	503479701	VALVE		1	
503 48 03-01	503480301	GASKET	503 48 21-01 SET OF GASKETS	1	
503 48 02-01	503480201	DIAPHRAGM	503 48 21-01 SET OF GASKETS	1	
503 48 04-01	503480401	COVER		1	
503 48 05-01	503480501	SCREW		1	

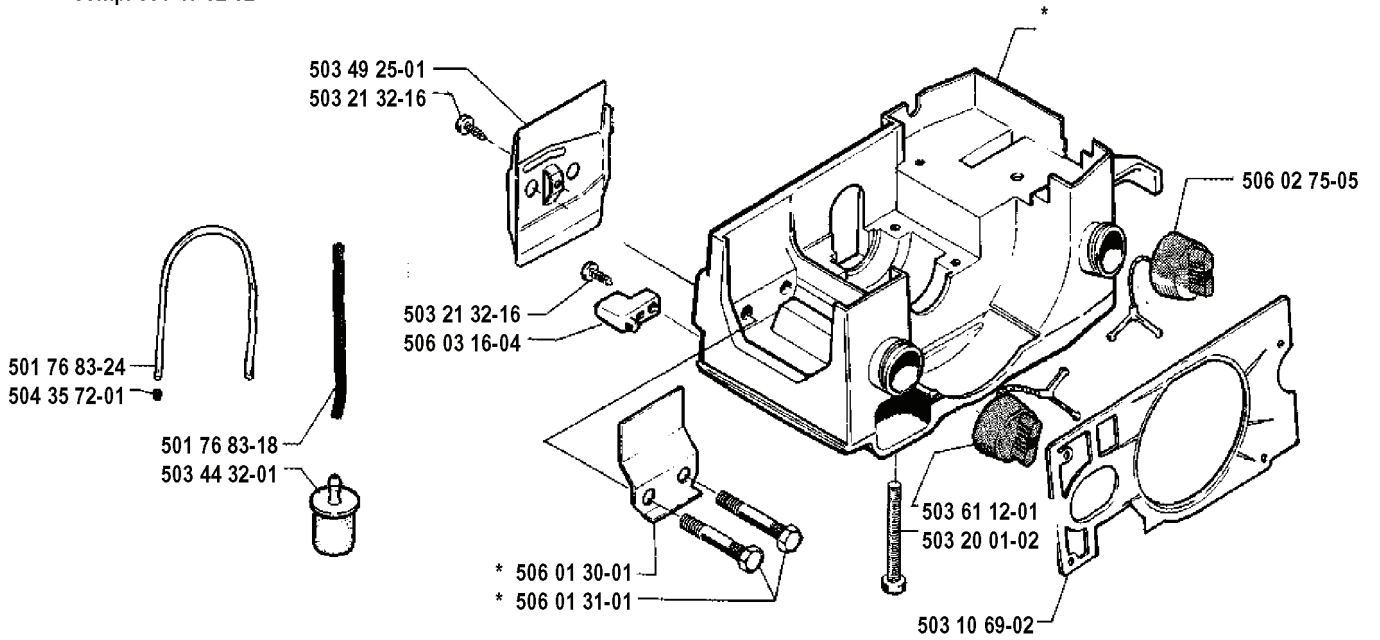




---

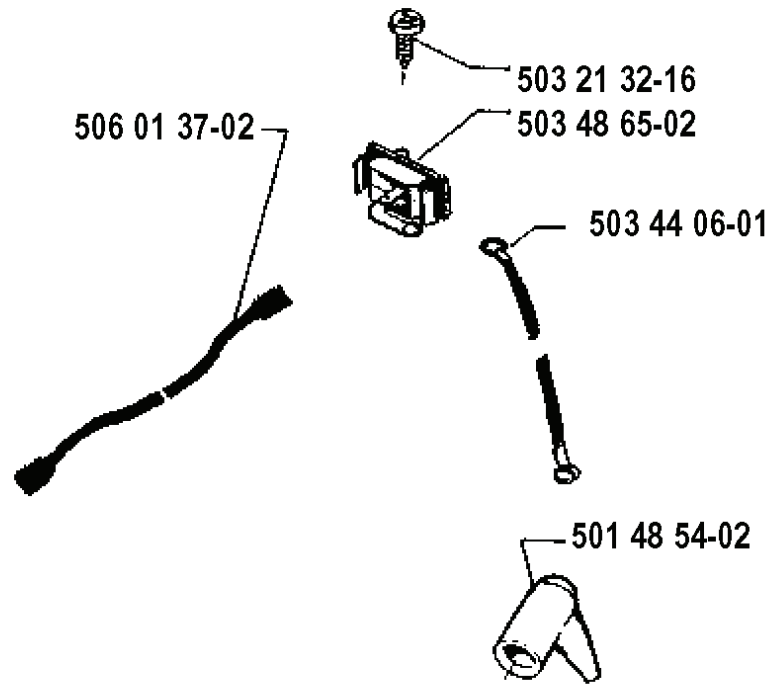
REF.	PART NO.	DESCRIPTION	REMARK	QTY.	KIT
503 54 39-01	503543901	STARTER HANDLE		1	
503 21 32-16	503213216	SCREW CITXPANT		1	
503 23 00-35	503230035	WASHER		1	
506 01 64-01	506016401	STARTER PULLEY		1	
501 76 31-01	501763101	SPRING CASSETTE ASSY		1	
503 10 59-04	503105904	STARTER HOUSING		1	
503 10 60-03	503106003	LABEL		1	
501 63 06-01	501630601	SLEEVE		1	
505 30 51-25	505305125	STARTER ROPE		1	

**K** \* compl 503 49 82-02

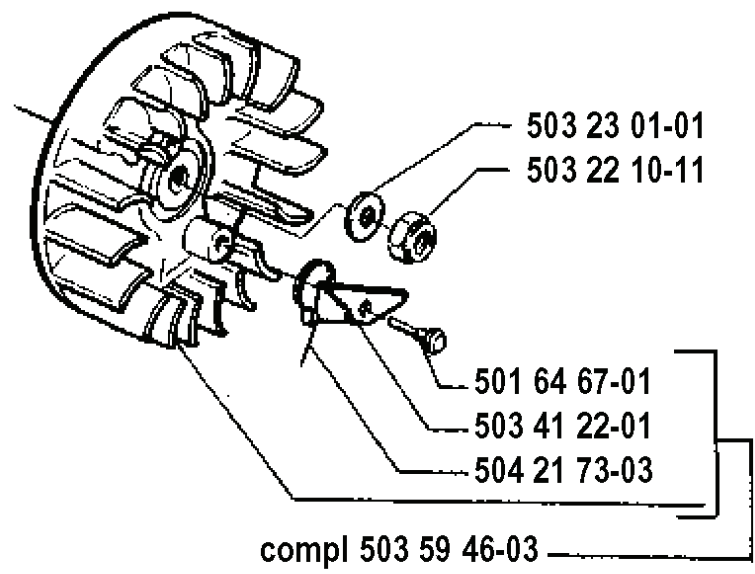
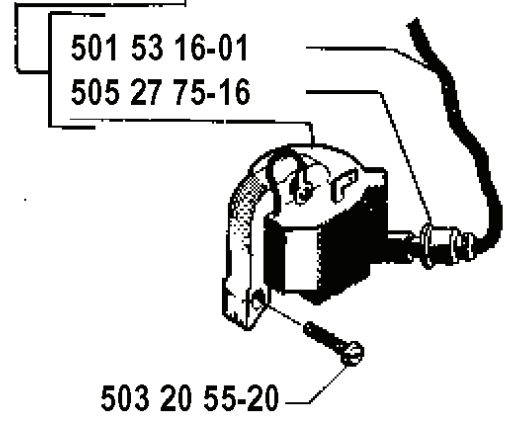


REF.	PART NO.	DESCRIPTION	REMARK	QTY.	KIT
503 49 82-02	503498202	TANK ASSY		1	
501 76 83-24	501768324	FUEL HOSE		1	
504 35 72-01	504357201	PLUG		1	
501 76 83-18	501768318	FUEL HOSE		1	
503 44 32-01	503443201	FUEL FILTER		1	
506 01 31-01	506013101	BAR BOLT		1	
506 01 30-01	506013001	HEAT PROTECTOR		1	
506 03 16-04	506031604	CHAIN CATCHER		1	
503 21 32-16	503213216	SCREW CITXPANT		1	
503 49 25-01	503492501	CHAIN GUIDE PLATE		1	
503 61 12-01	503611201	TANK CAP		1	
503 20 01-02	503200102	SCREW EHHFMO		1	
503 10 69-02	503106902	AIR CONDUCTOR		1	
506 02 75-05	506027505	TANK CAP ASSY		1	

H

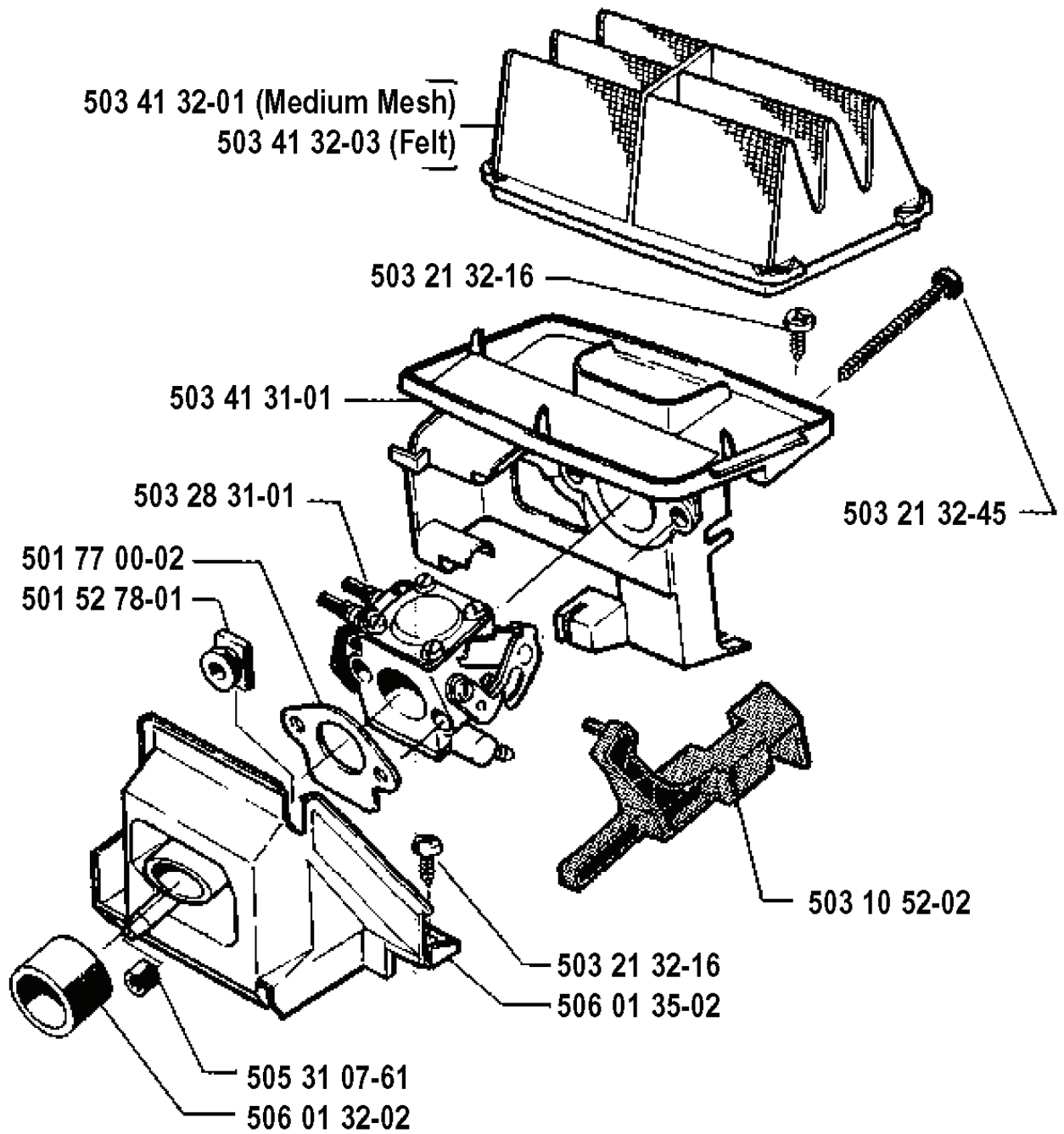


\* compl 506 02 72-01



REF.	PART NO.	DESCRIPTION	REMARK	QTY.	KIT
506 01 37-02	506013702	CABLE		1	
506 02 72-01	506027201	ELECTRONIC MODULE		1	
501 53 16-01	501531601	CABLE		1	
505 27 75-16	505277516	CABLE SLEEVE		1	
503 20 55-20	503205520	SCREW CITXPANM		1	
503 23 01-01	503230101	WASHER		1	
503 22 10-11	503221011	HEXAGON NUT		1	
501 64 67-01	501646701	TAPP STARTHAKE		1	
503 41 22-01	503412201	STARTER PAWL		1	
504 21 73-03	504217303	SPRING		1	
503 59 46-03	503594603	FLYWHEEL ASSY		1	
501 48 54-02	501485402	SPARK PLUG CAP		1	
503 44 06-01	503440601	GROUND CABLE		1	
503 48 65-02	503486502	STOP SWITCH		1	
503 21 32-16	503213216	SCREW CITXPANT		1	

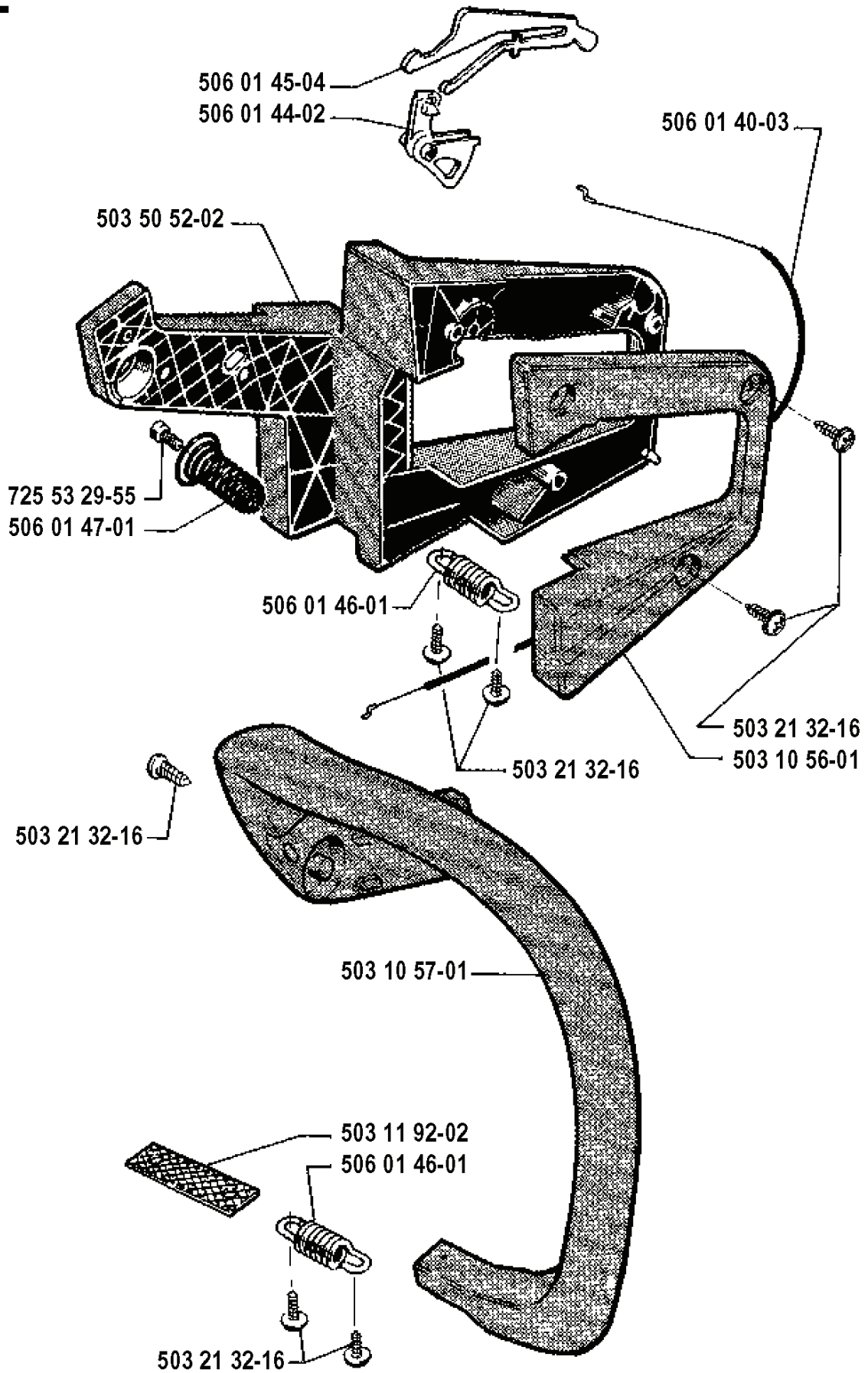
**D**



REF.	PART NO.	DESCRIPTION	REMARK	QTY.	KIT
503 41 32-01	503413201	AIR FILTER	MEDIUM MESH	1	
503 41 32-03	503413203	AIR FILTER	FELT	1	
503 21 32-16	503213216	SCREW CITXPANT		1	
503 41 31-01	503413101	AIR FILTER HOLDER		1	
503 28 31-01	503283101	CARBURETTOR		1	
501 77 00-02	501770002	GASKET		1	
501 52 78-01	501527801	GROMMET		1	
506 01 35-02	506013502	INSULATION WALL		1	
505 31 07-61	505310761	HOSE		1	
506 01 32-02	506013202	INLET PIPE		1	
503 10 52-02	503105202	CHOKE CONTROL		1	
503 21 32-45	503213245	SCREW CITXPANT		1	



E



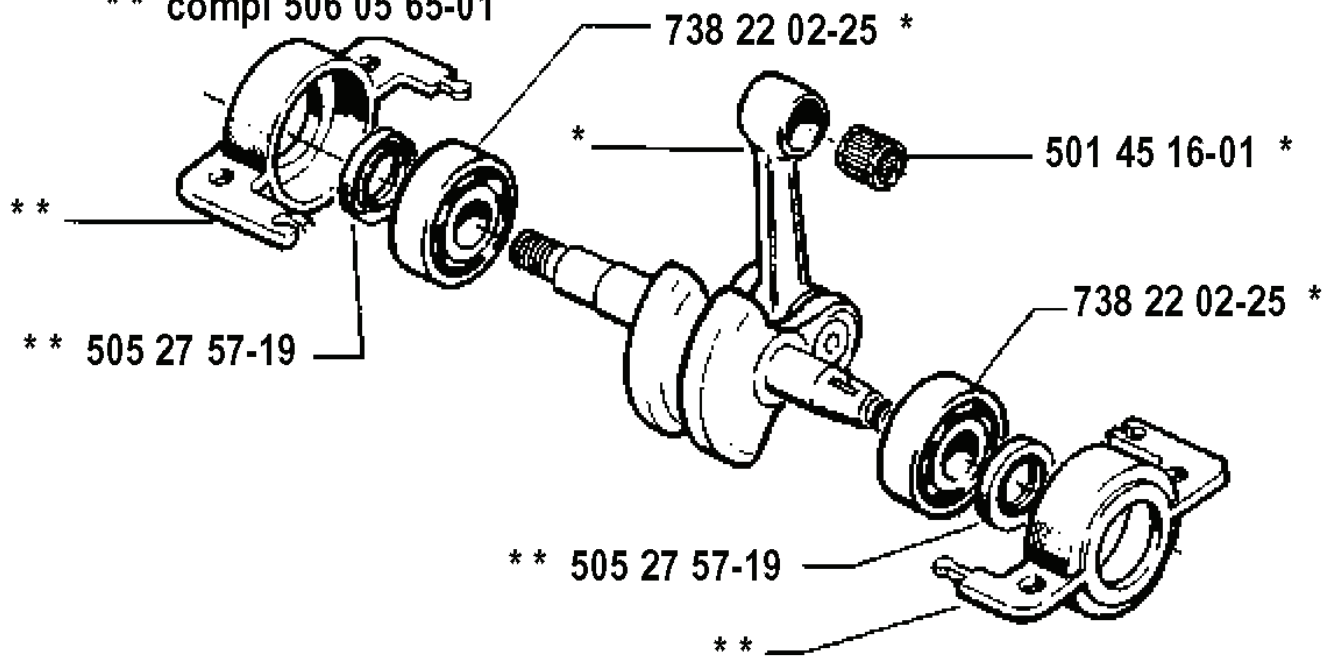
---

REF.	PART NO.	DESCRIPTION	REMARK	QTY.	KIT
506 01 45-04	506014504	THROTTLE LOCKOUT		1	
506 01 44-02	506014402	THROTTLE TRIGGER		1	
503 50 52-02	503505202	HANDLE HALF		1	
725 53 29-55	725532955	SCREW IHSCM		1	
506 01 47-01	506014701	ANTIVIBRATION ELEMENT		1	
506 01 46-01	506014601	ANTIVIBRATION ELEMENT		1	
503 11 92-02	503119202	STRAP		1	
503 10 57-01	503105701	FRONT HANDLE		1	
503 21 32-16	503213216	SCREW CITXPANT		1	
503 10 56-01	503105601	HANDLE HALF		1	
506 01 40-03	506014003	GAS WIRE ASSY		1	

**G**

\* compl 503 57 38-02

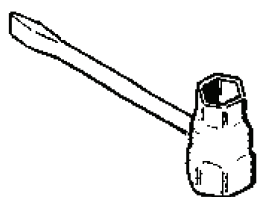
\*\* compl 506 05 65-01



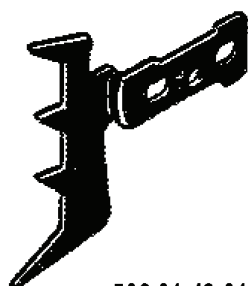
---

REF.	PART NO.	DESCRIPTION	REMARK	QTY.	KIT
503 57 38-02	503573802	CRANKSHAFT ASSY		1	
506 05 65-01	506056501	SHAFT SEAT		1	
505 27 57-19	505275719	SEALING RING		1	
501 45 16-01	501451601	NEEDLE BEARING		1	
738 22 02-25	738220225	BALL BEARING		1	

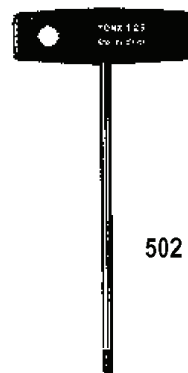
**N** Accessoires  
Zubehöre  
Accessoires  
Accesorios  
Tilbehör



501 69 17-01



506 01 49-01



502 71 27-01

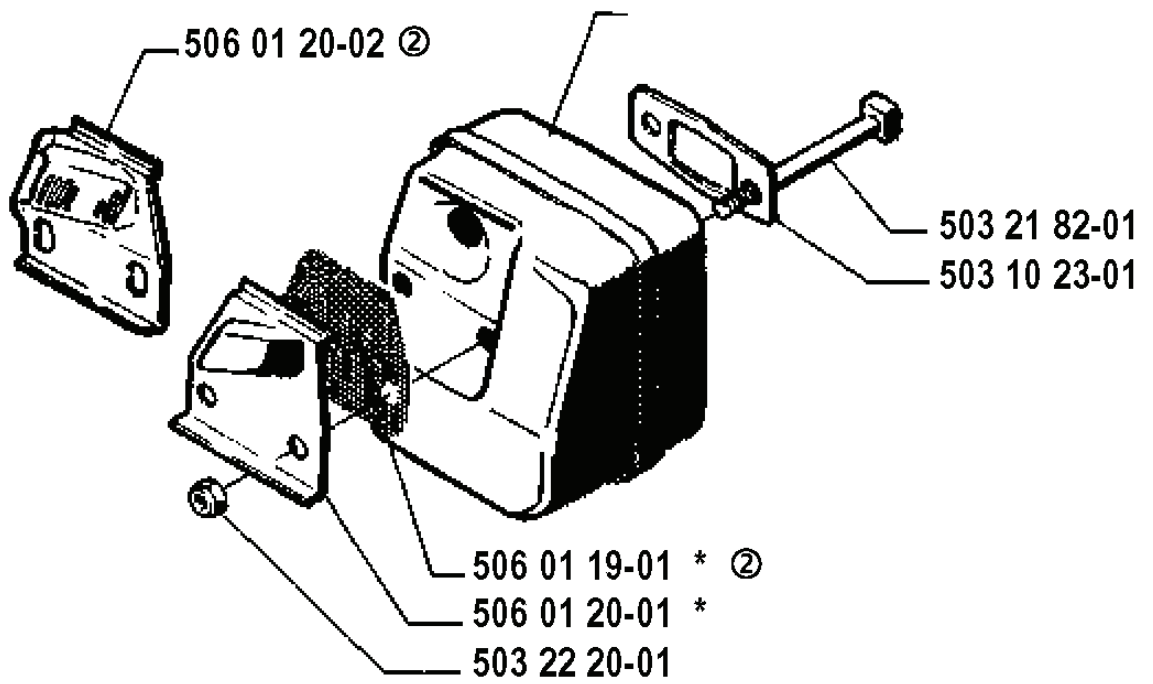
---

REF.	PART NO.	DESCRIPTION	REMARK	QTY.	KIT
5016917-01	501691701	COMBINATION WRENCH		1	
5060149-01	506014901	SPIKE		1	
5027127-01	502712701	WRENCH		1	



\* compl 503 59 51-01

② compl 503 59 51-02 (USA)

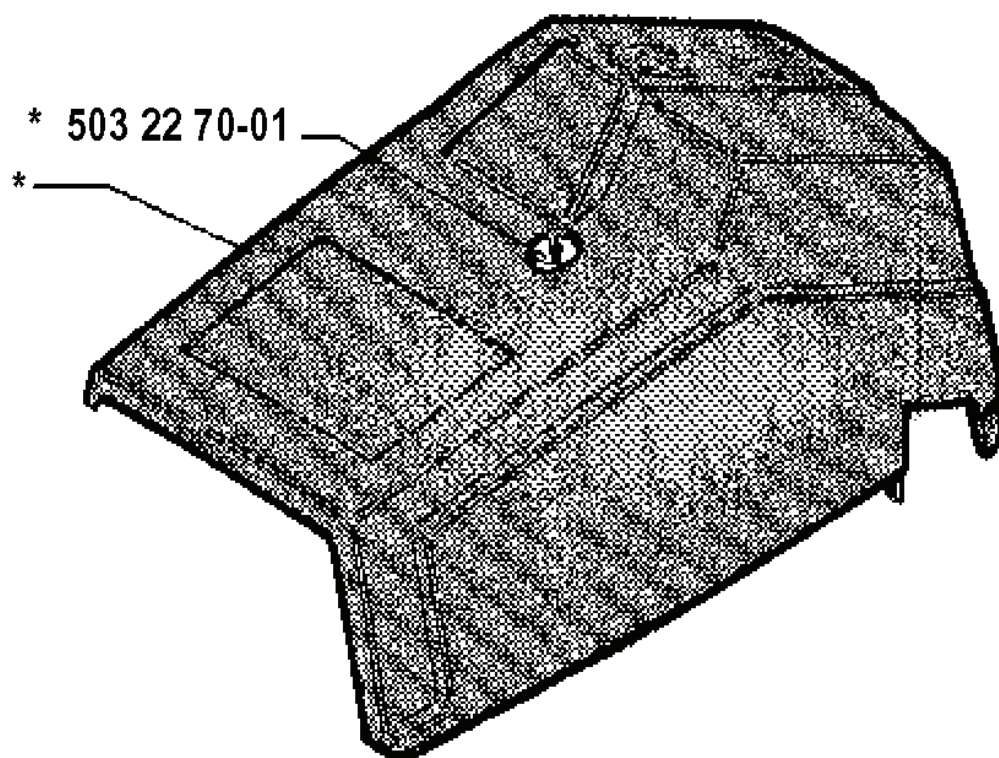


---

REF.	PART NO.	DESCRIPTION	REMARK	QTY.	KIT
5035951-01	503595101	MUFFLER KIT		1	
5035951-02	503595102	MUFFLER KIT	USA	1	
5060120-02	506012002	GAS CONDUIT		1	
5060119-01	506011901	SPARK ARRESTER		1	
5060120-01	506012001	GAS CONDUIT		1	
5032220-01	503222001	LOCK NUT		1	
5031023-01	503102301	MUFFLER GASKET		1	
5032182-01	503218201	SCREW		1	



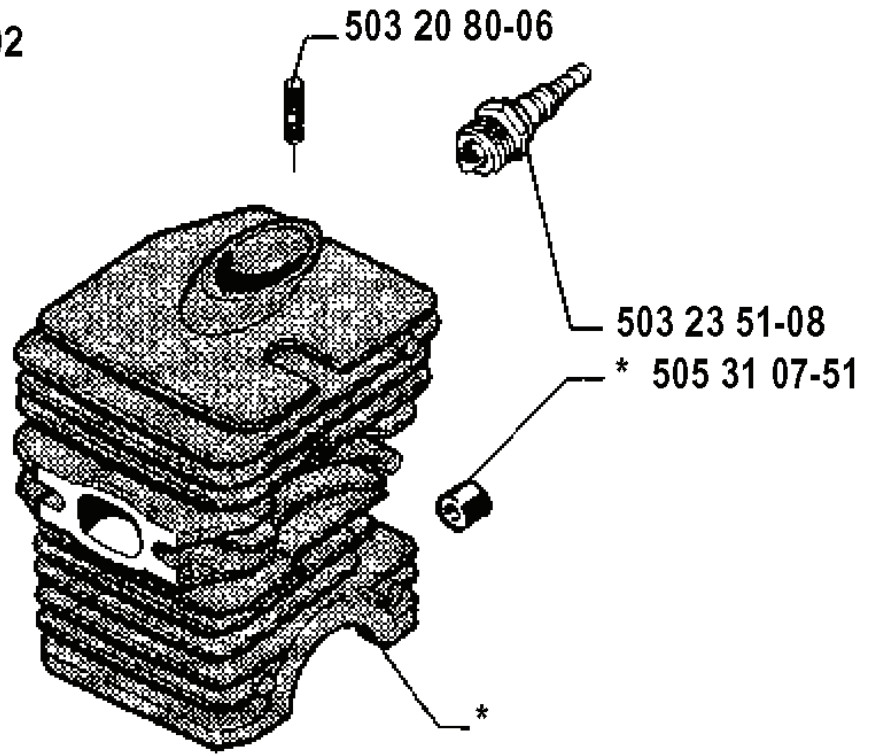
- B** \* compl 503 10 61-02  
\* compl 503 50 20-02 (USA)



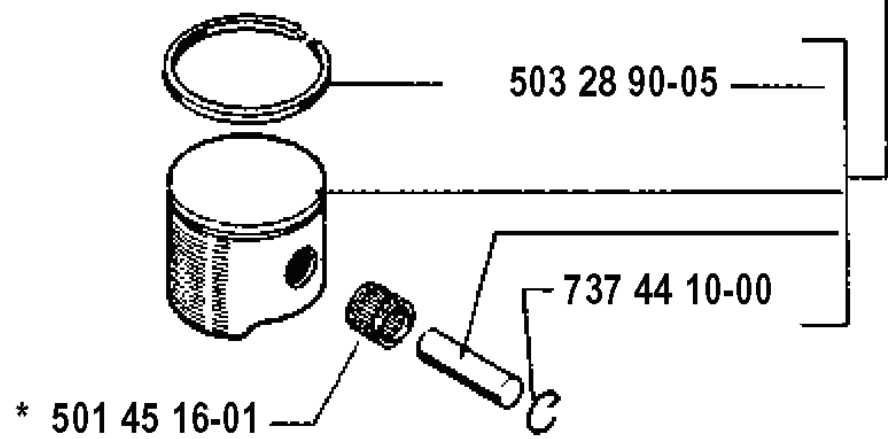
---

REF.	PART NO.	DESCRIPTION	REMARK	QTY.	KIT
503 10 61-02	503106102	CYLINDER COVER		1	
503 50 20-02	503502002	CYLINDER COVER ASSY	USA	1	
503 22 70-01	503227001	NUT		1	

**C** \* compl 503 44 08-02



\* compl 503 44 10-01



---

REF.	PART NO.	DESCRIPTION	REMARK	QTY.	KIT
503 44 08-02	503440802	CYLINDER ASSY		1	
501 45 16-01	501451601	NEEDLE BEARING		1	
737 44 10-00	737441000	SNAP RING		1	
503 28 90-05	503289005	PISTON RING		1	
503 44 10-01	503441001	PISTON ASSY		1	
505 31 07-51	505310751	IMPULSE HOSE		1	
503 23 51-08	503235108	SPARK PLUG		1	
503 20 80-06	503208006	SCREW		1	