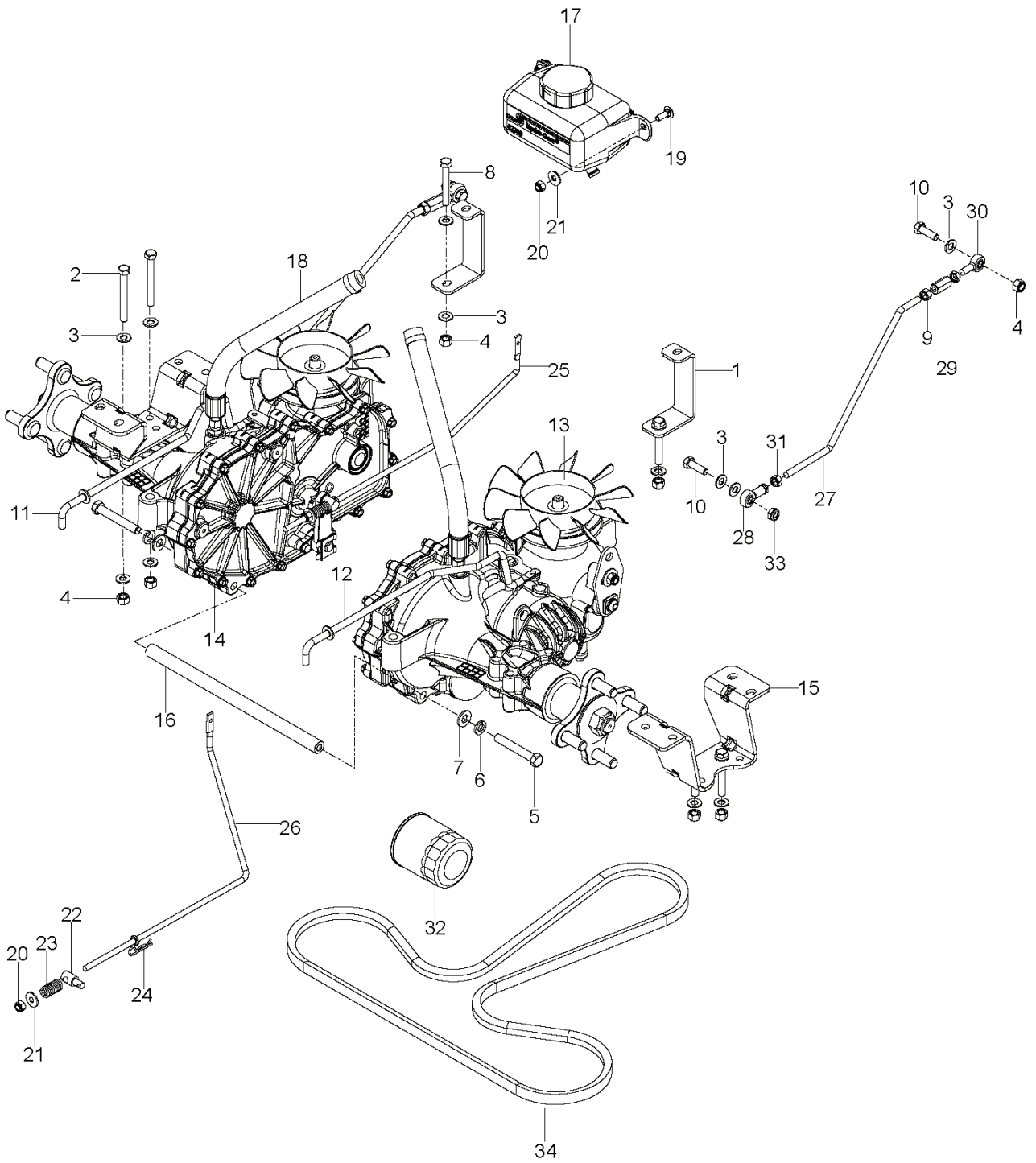
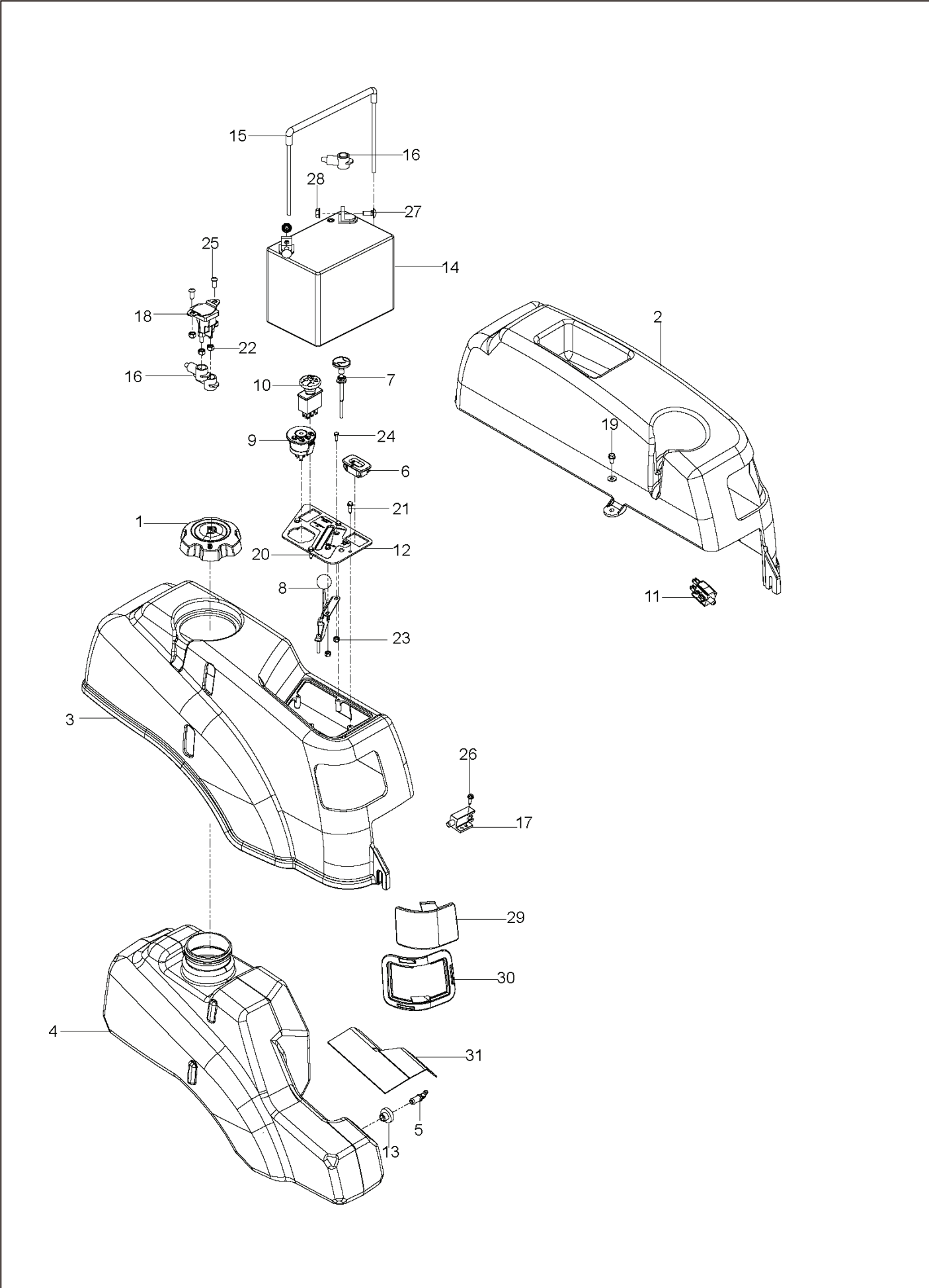


EZC 4824, 966038501, 2009-01

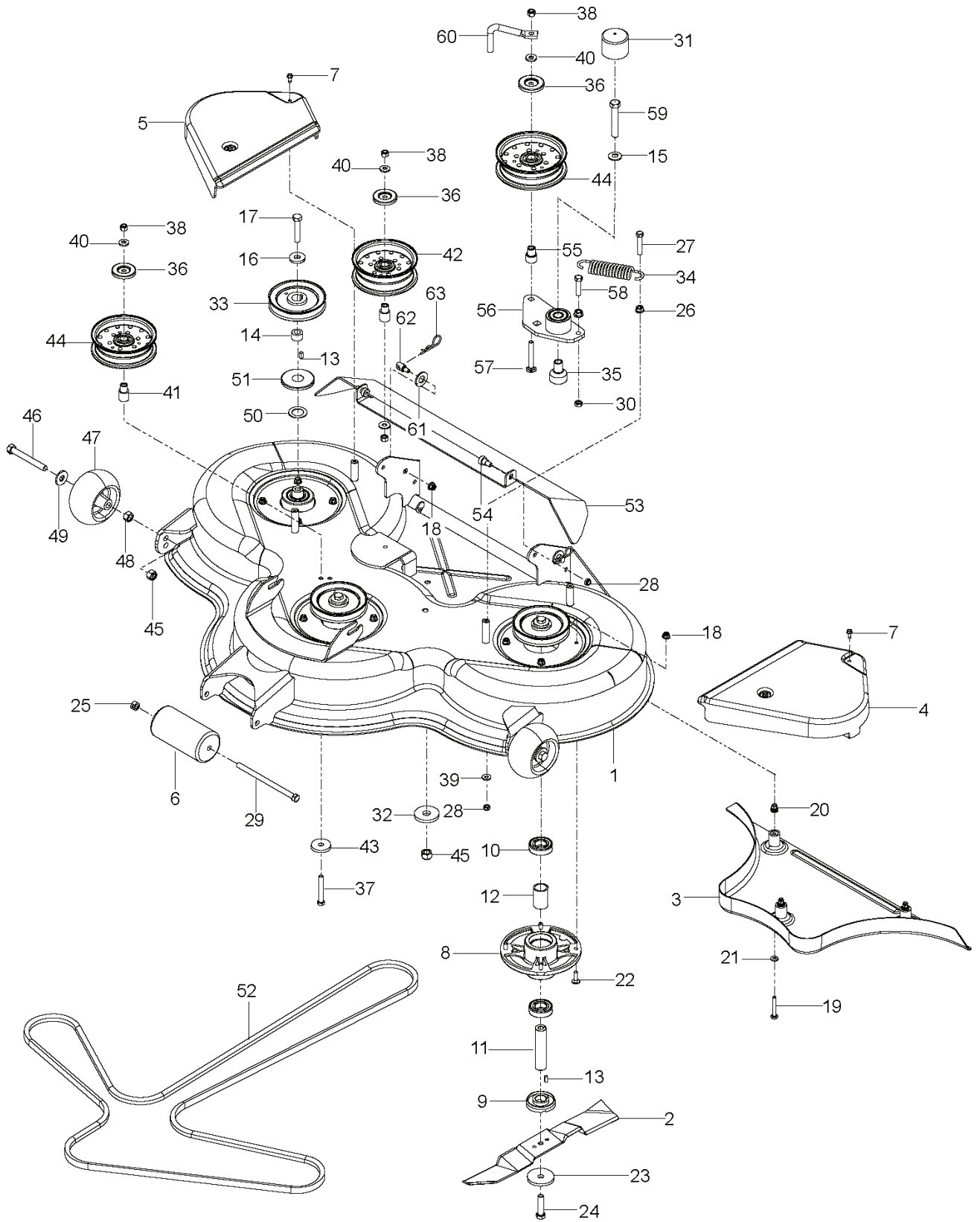
SPARE PARTS LIST



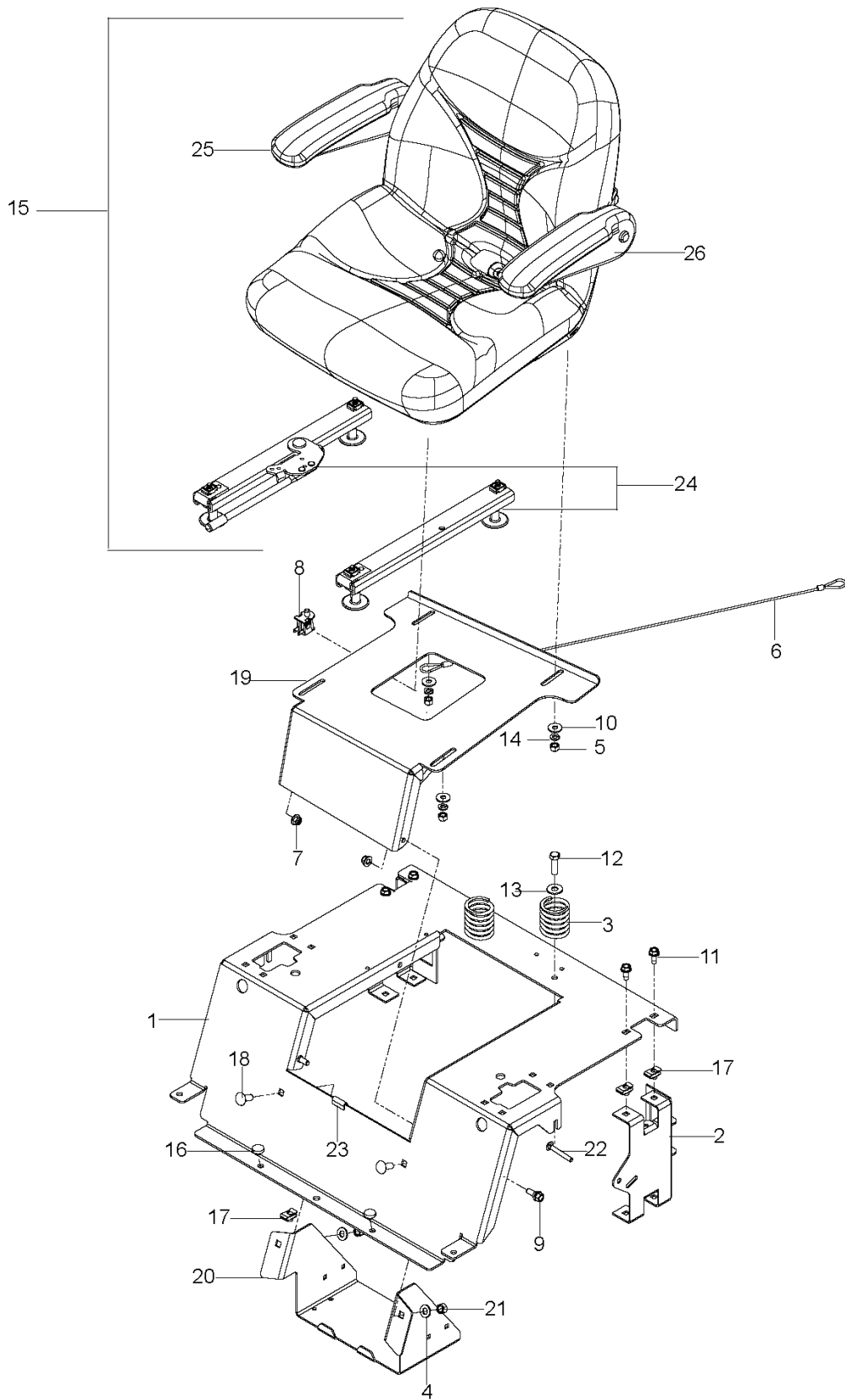
| REF. | PART NO. | DESCRIPTION | REMARK | QTY. | KIT |
|------|-----------|--------------------------------|--------|------|-----|
| 1 | 522460702 | SUPPORT | | 2 | |
| 2 | 539101721 | SCREW | | 4 | |
| 3 | 539990188 | WASHER | | 16 | |
| 4 | 539990717 | NUT | | 10 | |
| 5 | 539990637 | SCREW | | 2 | |
| 6 | 539990118 | WASHER | | 2 | |
| 7 | 539990122 | WASHER | | 2 | |
| 8 | 539976938 | CAPSCREW 5/16 X 2-1/4 HED HEAD | | 2 | |
| 9 | 539991073 | NUT | | 1 | |
| 10 | 539990209 | SCREW | | 4 | |
| 11 | 522706002 | ROD | RT | 1 | |
| 12 | 522706001 | ROD | LT | 1 | |
| 13 | 522447402 | TRANSMISSION | RT | 1 | |
| 14 | 522447401 | TRANSMISSION | LT | 1 | |
| 15 | 510185102 | MOUNT | REAR | 2 | |
| 16 | 510184103 | SPACING TUBE | | 1 | |
| 17 | 539112318 | EXPANSION TANK | | 1 | |
| 18 | 522439801 | HOSE ASSY | | 2 | |
| 19 | 539990074 | SCREW | | 2 | |
| 20 | 539976978 | NUT | | 4 | |
| 21 | 539990598 | WASHER | | 4 | |
| 22 | 539112308 | BRAKE SWIVEL | | 2 | |
| 23 | 539101224 | SPRING | | 2 | |
| 24 | 539976988 | PIN | | 2 | |
| 25 | 510375401 | ROD | LT | 1 | |
| 26 | 510375402 | ROD | RT | 1 | |
| 27 | 522656101 | ROD | | 1 | |
| 28 | 539115729 | RH ROD END | RH | 1 | |
| 29 | 539116689 | ROD END COUPLER | | 1 | |
| 30 | 539116690 | ROD END - LH | LH | 1 | |
| 31 | 539990223 | NUT | | 2 | |
| 32 | 539113466 | OIL FILTER | | 2 | |
| 33 | 539115617 | 5/16-18 THIN PROF NY | | 2 | |
| 34 | 539120772 | BELT | | 1 | |



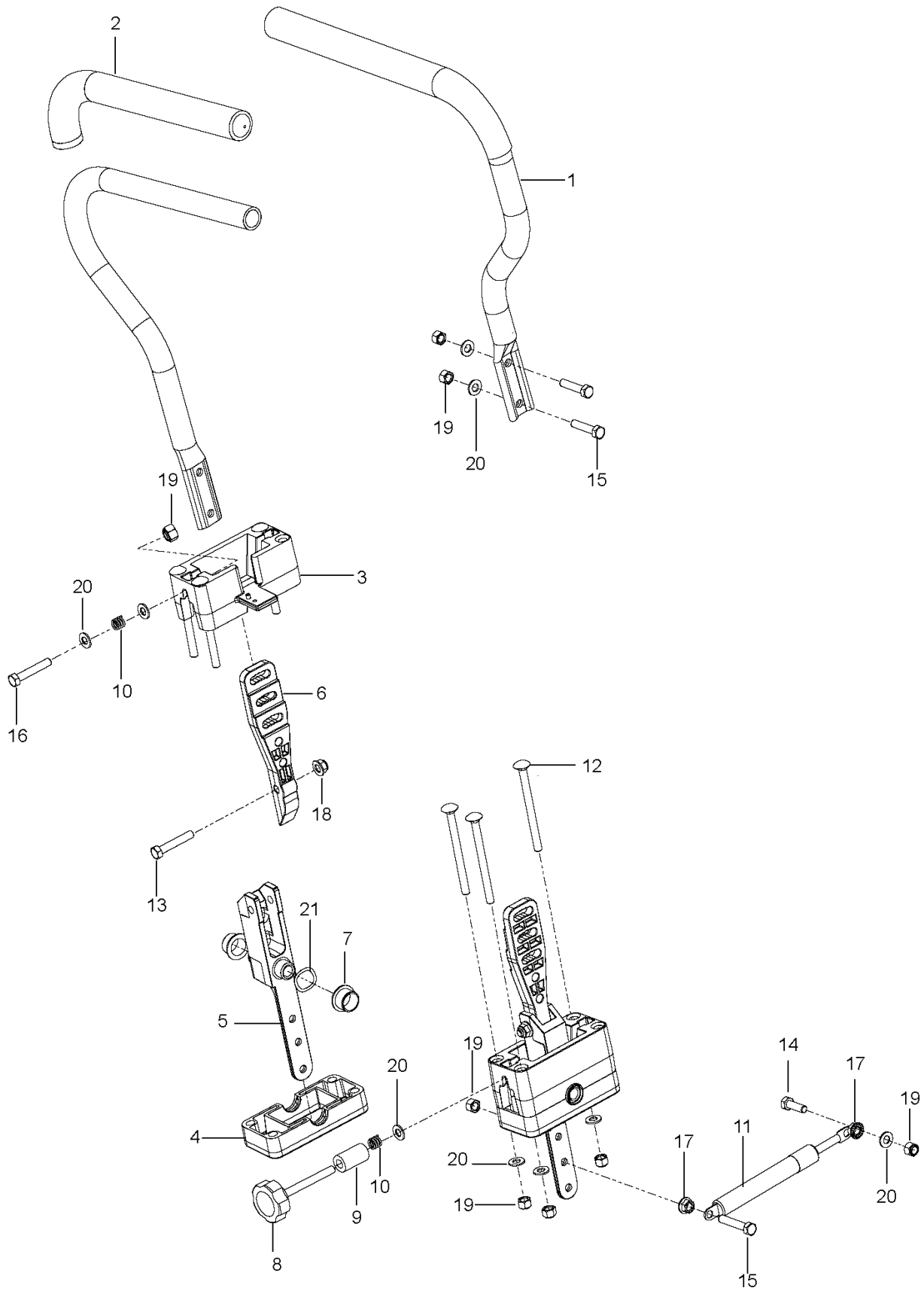
| REF. | PART NO. | DESCRIPTION | REMARK | QTY. | KIT |
|------|-----------|--------------------------------|-----------|------|-----|
| 1 | 539130393 | FUEL CAP | | 1 | |
| 2 | 539130374 | FENDER | LT | 1 | |
| 3 | 539130375 | FENDER | RT | 1 | |
| 4 | 522524801 | TANK | | 1 | |
| 5 | 539110432 | STEM, FUEL TANK | | 1 | |
| 6 | 576179401 | METER | | 1 | |
| 7 | 539102733 | WIRE | | 1 | |
| 8 | 539102732 | THROTTLE | | 1 | |
| 9 | 539107541 | IGNITION SWITCH | | 1 | |
| 10 | 539101768 | SWITCH | | 1 | |
| 11 | 539113792 | SWITCH | | 1 | |
| 12 | 539112735 | CONSOLE | | 1 | |
| 13 | 539105245 | GROMMET | | 1 | |
| 14 | 539102436 | BATTERY | | 1 | |
| 15 | 539131209 | BATTERY TIE DOWN ASSEMBLY | | 1 | |
| 16 | 539116400 | TERMINAL COVER-SM | | 4 | |
| 17 | 539101080 | SWITCH | | 2 | |
| 18 | 539101714 | SOLENOID | | 1 | |
| 19 | 539108461 | SCREW | | 2 | |
| 20 | 539112740 | DECAL | | 1 | |
| 21 | 539990411 | SCREW | | 2 | |
| 22 | 539976978 | NUT | | 6 | |
| 23 | 539976977 | NUT | | 2 | |
| 24 | 539110673 | SCREW | | 4 | |
| 25 | 539111229 | SCR 1/4-20 X 5/8 BTN SKT HD ZD | | 2 | |
| 26 | 539991034 | SCREW | | 2 | |
| 27 | 539990316 | BOLT | | 2 | |
| 28 | 539990585 | NUT | | 2 | |
| 29 | 539110056 | LENS, COLORED LEFT | LT | 1 | |
| 29 | 539110057 | LENS, COLORED RIGHT | RT | 1 | |
| 30 | 539110455 | HEADLIGHT | LT | 1 | |
| 30 | 539110451 | HEADLIGHT | RT | 1 | |
| 31 | 522559101 | SHIELD | | 1 | |
| | 539103306 | CABLE | NOT SHOWN | 2 | |
| | 539110068 | BATTERY CABLE, NEGATIVE | NOT SHOWN | 1 | |
| | 515980501 | HARNESS | NOT SHOWN | 1 | |



| REF. | PART NO. | DESCRIPTION | REMARK | QTY. | KIT |
|------|-----------|-----------------------------|--------|------|-----|
| 1 | 522744901 | ASSEMBLY | | 1 | |
| 2 | 535429410 | BLADE | | 3 | |
| 3 | 539132776 | PLUG, MULCH, ORANGE | | 1 | |
| 4 | 539112508 | SHIELD | LT | 1 | |
| 5 | 539112509 | SHIELD | RT | 1 | |
| 6 | 544185401 | ROLLER | | 1 | |
| 7 | 539990362 | SCREW | | 4 | |
| 8 | 535428901 | BEARING HOUSING | | 3 | |
| 9 | 539132778 | BUSHING | | 3 | |
| 10 | 738220519 | BALL BEARING | | 6 | |
| 11 | 535428702 | SHAFT | | 3 | |
| 12 | 535428801 | SPACER | | 3 | |
| 13 | 506533501 | PARALLEL KEY | | 6 | |
| 14 | 539112609 | SPACER | | 3 | |
| 15 | 539115528 | 1/2" CONTACT BELLSPR | | 1 | |
| 16 | 539115550 | WASHER | | 3 | |
| 17 | 539132479 | BOLT | | 3 | |
| 18 | 539112899 | NUT, 5/16-18, NYLOC | | 12 | |
| 19 | 539132494 | HCS M8 X 1.25 X 50 GR8.8 ZD | | 3 | |
| 20 | 506916201 | NUT | | 3 | |
| 21 | 539990188 | WASHER | | 3 | |
| 22 | 539990208 | SCREW | | 12 | |
| 23 | 506792302 | KNIFE PLATE | | 3 | |
| 24 | 539132480 | BOLT | | 3 | |
| 25 | 539990839 | NUT | | 1 | |
| 26 | 539990613 | NUT | | 2 | |
| 27 | 539990588 | SCREW | | 1 | |
| 28 | 539200282 | NUT | | 3 | |
| 29 | 539132470 | BOLT | | 1 | |
| 30 | 539109332 | NUT | | 1 | |
| 31 | 539114823 | CAP | | 1 | |
| 32 | 539102243 | WASHER | | 1 | |
| 33 | 539132895 | PULLEY | | 3 | |
| 34 | 539103256 | SPRING | | 1 | |
| 35 | 510206301 | PIVOT | | 1 | |
| 36 | 510254501 | SHIELD | | 3 | |
| 37 | 539102612 | SCREW | | 3 | |
| 38 | 539976979 | NUT | | 4 | |
| 39 | 539990517 | WASHER | | 3 | |
| 40 | 522023401 | WASHER | | 3 | |
| 41 | 539103295 | BUSHING | | 2 | |
| 42 | 539103258 | PULLEY | TALL | 1 | |
| 43 | 539106504 | WASHER | | 1 | |
| 44 | 539103257 | PULLEY | | 2 | |
| 45 | 539101331 | NUT | | 2 | |
| 46 | 539108366 | SCREW | | 2 | |
| 47 | 539107610 | WHEEL | | 2 | |
| 48 | 539990625 | NUT | | 2 | |
| 49 | 539109554 | WASH USS FLAT 1/2 | | 2 | |
| 50 | 539127099 | WASHER | | 3 | |
| 51 | 539108449 | HUB CAP | | 3 | |
| 52 | 539107095 | BELT | | 1 | |
| 53 | 516008502 | SHIELD | | 1 | |
| 54 | 539113621 | SB 3/8-16 X 3/8 SKT HD ZD | | 2 | |
| 55 | 539130242 | BUSHING | | 1 | |
| 56 | 539130391 | ARM | | 1 | |
| 57 | 539130235 | RHSNB 3/8-16 X 2.75 GR5 ZD | | 1 | |
| 58 | 539107042 | BOLT | | 1 | |
| 59 | 539101572 | SCREW | | 1 | |
| 60 | 522629701 | KEEPER | | 1 | |
| 61 | 539976982 | WASHER | | 2 | |
| 62 | 532195161 | STUD | | 2 | |
| 63 | 539976989 | SPLIT PIN | | 2 | |

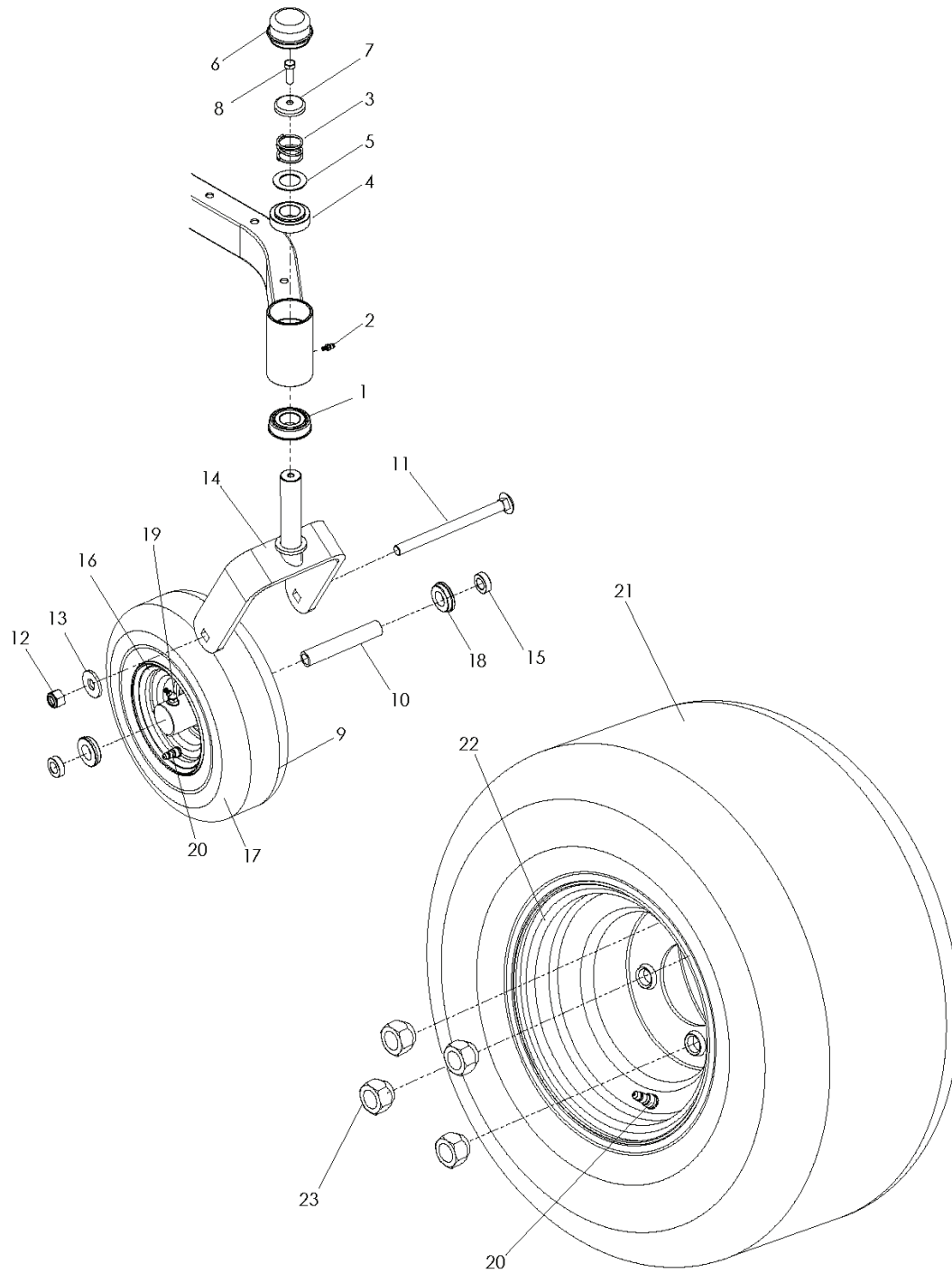


| REF. | PART NO. | DESCRIPTION | REMARK | QTY. | KIT |
|------|-----------|----------------------|--------|------|-----|
| 1 | 522545402 | SUPPORT | | 1 | |
| 2 | 510182902 | SUPPORT | | 2 | |
| 3 | 539110300 | SPRING | | 2 | |
| 4 | 539990122 | WASHER | | 4 | |
| 5 | 539990717 | NUT | | 4 | |
| 6 | 539103247 | WIRE | | 1 | |
| 7 | 539112899 | NUT, 5/16-18, NYLOC | | 2 | |
| 8 | 539119741 | SWITCH | | 1 | |
| 9 | 539130896 | BOLT | | 2 | |
| 10 | 539990692 | WASHER | | 4 | |
| 11 | 539107475 | BOLT | | 4 | |
| 12 | 539976941 | SCREW | | 2 | |
| 13 | 539990517 | WASHER | | 2 | |
| 14 | 539990187 | WASHER | | 4 | |
| 15 | 539130873 | SEAT | | 1 | |
| 16 | 539102587 | ABSORBER | | 2 | |
| 17 | 539104763 | CLIP | | 5 | |
| 18 | 539990645 | BOLT | | 2 | |
| 19 | 522756803 | PAN | | 1 | |
| 20 | 510231302 | BOX | | 1 | |
| 21 | 539976979 | NUT | | 4 | |
| 22 | 510422701 | SCREW | | 2 | |
| 23 | 539118102 | CLIP | | 1 | |
| 24 | 539112037 | TRACK ADJUSTMENT KIT | | 1 | |
| 25 | 539112035 | ARMREST KIT, RT | | 1 | |
| 26 | 539112036 | ARMREST KIT, LT | | 1 | |

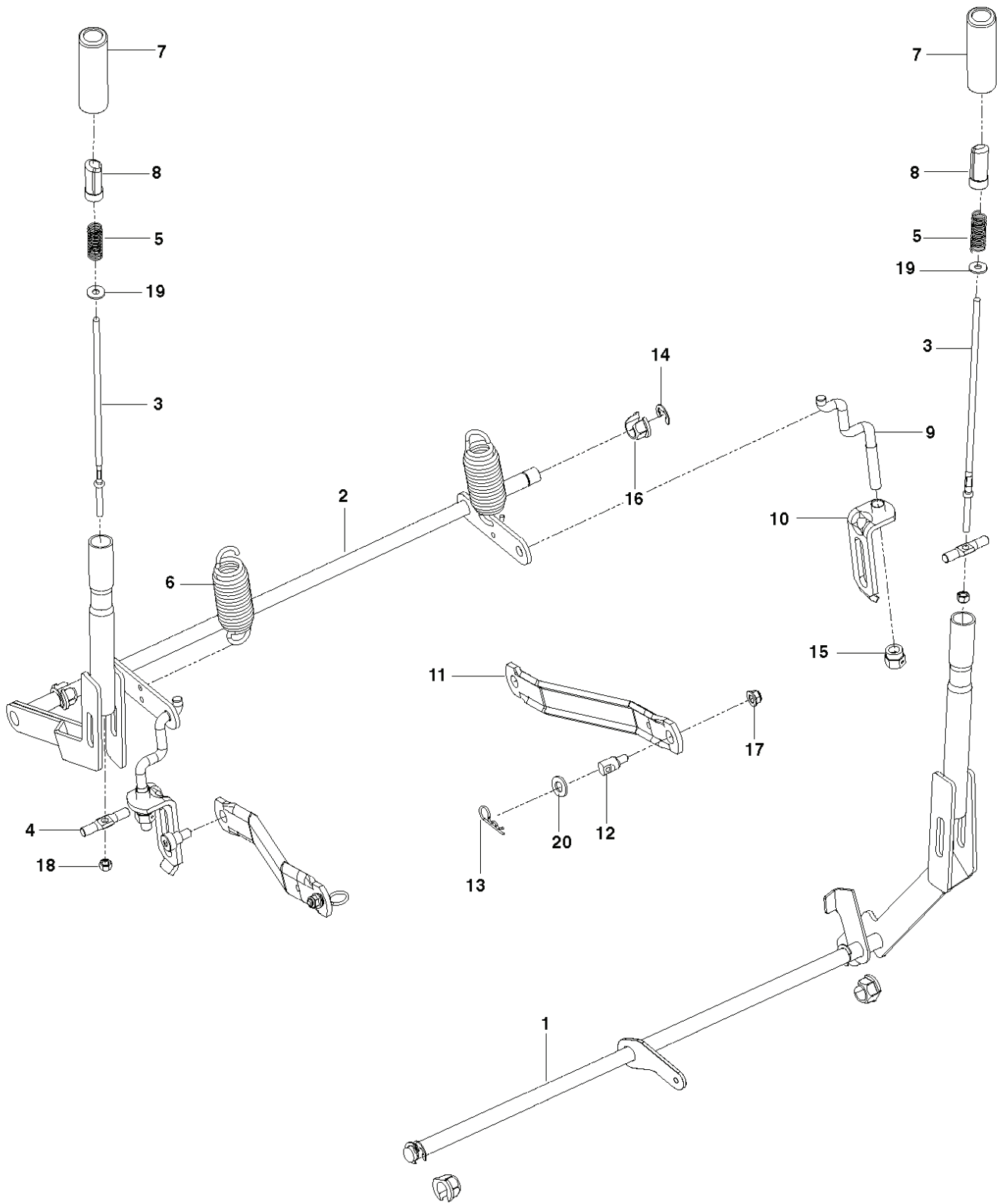


| REF. | PART NO. | DESCRIPTION | REMARK | QTY. | KIT |
|------|-----------|-------------------------------|--------|------|-----|
| 1 | 522524303 | ASSEMBLY | | 2 | |
| 2 | 525392901 | GRIP | | 2 | |
| 3 | 539131517 | BLOCK. UPPER | | 2 | |
| 4 | 539131519 | BLOCK. LOWER | | 2 | |
| 5 | 522452901 | PIVOT | | 2 | |
| 6 | 539131521 | MOUNT. DR CNTRL HANDLE | | 2 | |
| 7 | 539131518 | BEARING | | 4 | |
| 8 | 521982601 | KNOB | | 1 | |
| 9 | 539103543 | SPACER | | 1 | |
| 10 | 539102845 | SPRING | | 2 | |
| 11 | 539102720 | GAS SPRING | | 2 | |
| 12 | 510422601 | RHSNB | | 6 | |
| 13 | 539990669 | SCREW | | 2 | |
| 14 | 539990209 | SCREW | | 2 | |
| 15 | 539976935 | CAPSCREW | | 6 | |
| 16 | 539108395 | HCS 5/16-18 X 2 TPBLT GR 5 ZD | | 1 | |
| 17 | 539990585 | NUT | | 4 | |
| 18 | 539112899 | NUT, 5/16-18, NYLOC | | 2 | |
| 19 | 539990717 | NUT | | 14 | |
| 20 | 539990188 | WASHER | | 12 | |
| 21 | 539133007 | WASHER | | 2 | |

WHEELS AND TIRES

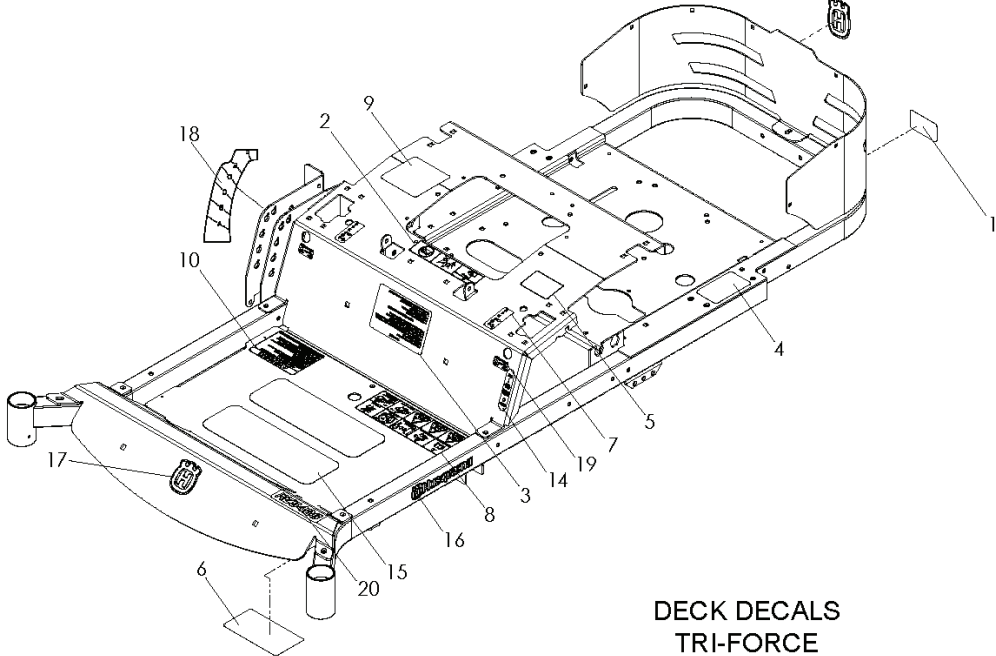


| REF. | PART NO. | DESCRIPTION | REMARK | QTY. | KIT |
|------|-----------|--------------------------|-----------------------------------|------|-----|
| 1 | 539112660 | BEARING | | 2 | |
| 2 | 539115638 | FITTING | | 2 | |
| 3 | 539115747 | SPRING | | 2 | |
| 4 | 539117901 | BUSHING | | 2 | |
| 5 | 539115675 | WASHER | | 2 | |
| 6 | 539102535 | CAP | | 2 | |
| 7 | 539115749 | CASTER PLUG | | 2 | |
| 8 | 539990209 | SCREW | | 2 | |
| 9 | 539110333 | Wheel Assy. 11X4.0/4.1-5 | | 2 | |
| 10 | 539105543 | SPACER | | 2 | |
| 11 | 539121159 | BOLT | | 2 | |
| 12 | 539101331 | NUT | | 2 | |
| 13 | 539109554 | WASH USS FLAT 1/2 | | 2 | |
| 14 | 510186501 | YOKE | | 2 | |
| 15 | 539114805 | SPACER | | 4 | |
| 16 | 539106994 | RIM SPROCKET | | 2 | |
| 17 | 539106995 | TIRE. 410/350-5 | | 2 | |
| 18 | 539102484 | BEARING | | 4 | |
| 19 | 539103300 | NIPPLE | | 2 | |
| 20 | 539912234 | VALVE | | 4 | |
| 21 | 539131110 | TIRE ASM. 20 X 8-8 | "965880401, 966038501, 966038201" | 2 | |
| 21 | 539131109 | TIRE | | 2 | |
| 22 | 539112217 | RIM | | 2 | |
| 23 | 539101173 | NUT | | 8 | |

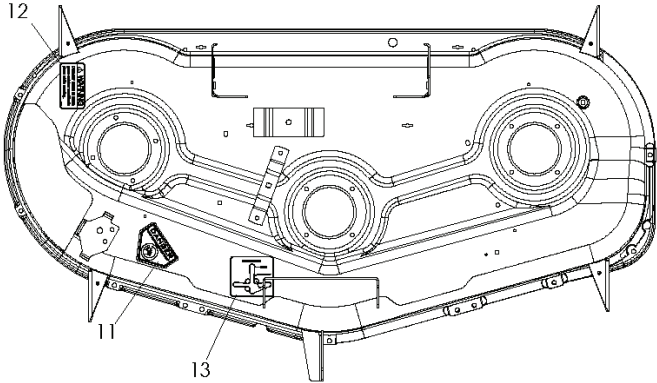


| REF. | PART NO. | DESCRIPTION | REMARK | QTY. | KIT |
|------|-----------|---------------------|-----------------------|------|-----|
| 1 | 580435801 | BRAKE LEVER ASSY | | 1 | |
| 2 | 586760202 | LEVER | | 1 | |
| 3 | 510422901 | ROD | | 2 | |
| 4 | 580960401 | ROD | | 2 | |
| 5 | 510030701 | SPRING | | 2 | |
| 6 | 539118762 | SPRING | QTY MAY VARY BY MODEL | 2 | |
| 7 | 510207201 | GRIP | | 2 | |
| 8 | 510207301 | BUTTON | | 2 | |
| 9 | 525847201 | LINK | | 2 | |
| 10 | 522858601 | ASSEMBLY | | 2 | |
| 11 | 532195185 | ARM | | 2 | |
| 12 | 532195161 | STUD | | 2 | |
| 13 | 539976989 | SPLIT PIN | | 2 | |
| 14 | 539105069 | RETAINER RING | | 3 | |
| 15 | 532175994 | NUT | | 2 | |
| 16 | 510184901 | BUSHING | | 4 | |
| 17 | 539112899 | NUT, 5/16-18, NYLOC | | 2 | |
| 18 | 539976978 | NUT | | 2 | |
| 19 | 819091216 | WASHER | | 1 | |
| 20 | 539976982 | WASHER | | 2 | |

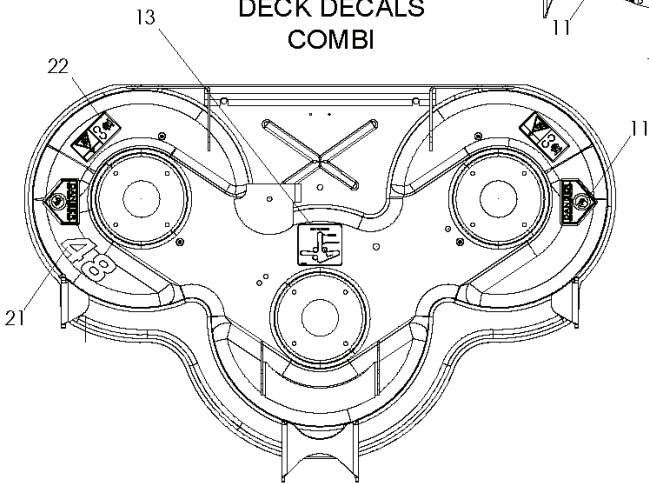
DECALS



DECK DECALS
TRI-FORCE

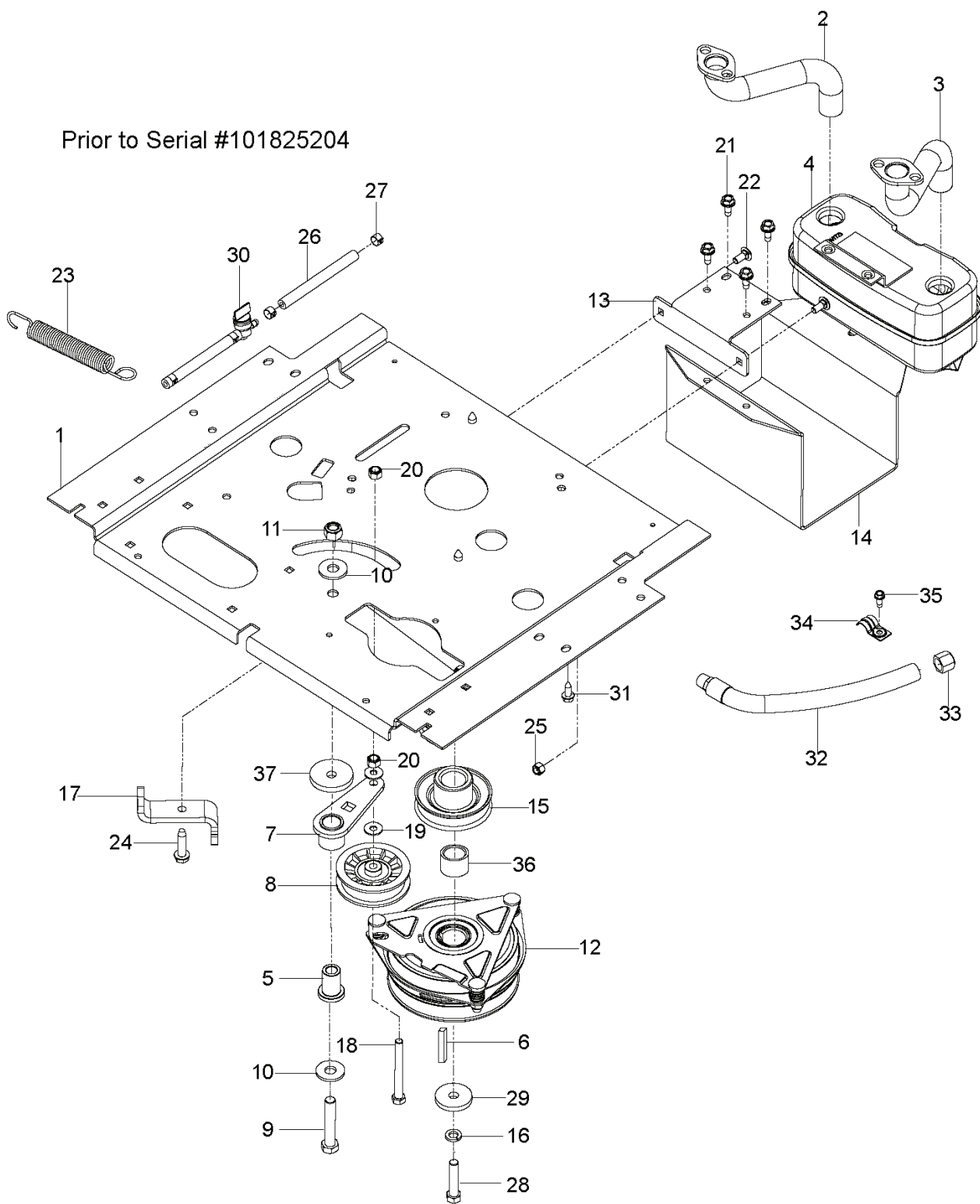


DECK DECALS
COMBI

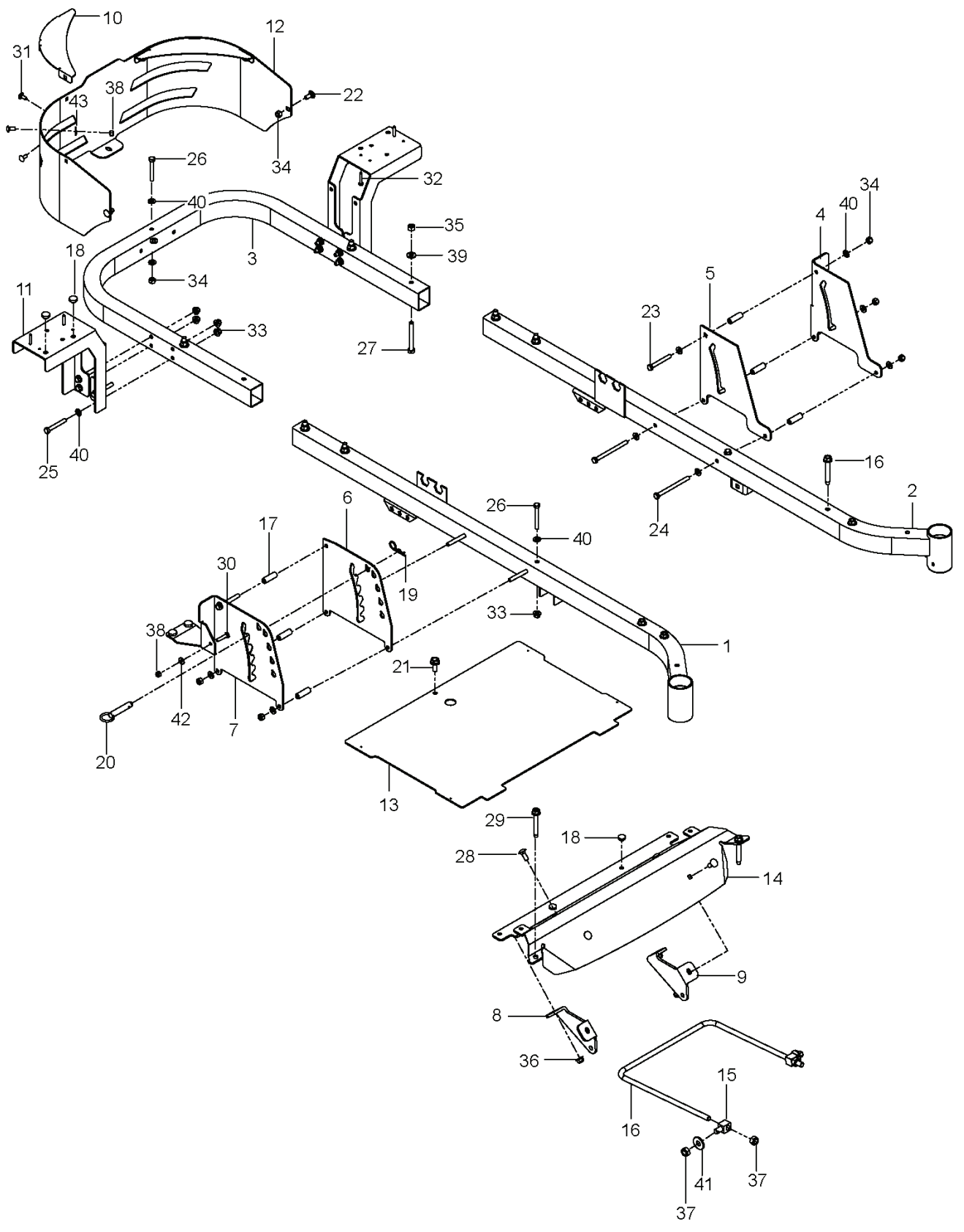


| REF. | PART NO. | DESCRIPTION | REMARK | QTY. | KIT |
|------|-----------|-------------|--------|------|-----|
| 1 | 539101881 | DECAL | | 1 | |
| 2 | 539105745 | DECAL | | 1 | |
| 3 | 539108179 | DECAL | | 1 | |
| 4 | 539108385 | DECAL | | 1 | |
| 5 | 539108386 | DECAL | | 1 | |
| 6 | 539109897 | DECAL | | 1 | |
| 7 | 539103333 | DECAL | | 2 | |
| 8 | 539109908 | DECAL | | 1 | |
| 9 | 539110522 | DECAL | | 1 | |
| 10 | 539113213 | DECAL | | 1 | |
| 11 | 539913010 | DECAL | | 1 | |
| 12 | 539113224 | DECAL | | 1 | |
| 13 | 539112620 | DECAL | | 1 | |
| 14 | 539120006 | DECAL | | 1 | |
| 15 | 539977778 | MAT | | 3 | |
| 16 | 532422012 | DECAL | | 2 | |
| 17 | 532422011 | DECAL | | 2 | |
| 18 | 521980501 | DECAL | | 1 | |
| 19 | 539110974 | DECAL | | 2 | |
| 21 | 544245303 | LABEL | "48" | 1 | |
| 22 | 539105744 | DECAL | | 2 | |

Prior to Serial #101825204



| REF. | PART NO. | DESCRIPTION | REMARK | QTY. | KIT |
|------|-----------|-------------------------------|--------|------|-----|
| 1 | 574734402 | PLATE | | 1 | |
| 2 | 532146699 | PIPE | RT | 1 | |
| 3 | 532146700 | PIPE | LT | 1 | |
| 4 | 539131604 | MUFFLER ASSY | | 1 | |
| 5 | 522432501 | PIVOT | | 1 | |
| 6 | 539912757 | KEY | | 1 | |
| 7 | 539112092 | IDLER ARM | | 1 | |
| 8 | 539110311 | PULLEY | | 1 | |
| 9 | 539101332 | SCREW | | 1 | |
| 10 | 539109554 | WASH USS FLAT 1/2 | | 2 | |
| 11 | 539101331 | NUT | | 1 | |
| 12 | 539113437 | CLUTCH ASSY | | 1 | |
| 13 | 510260402 | BRACKET | | 1 | |
| 14 | 510260502 | GUARD | | 1 | |
| 15 | 539113436 | PULLEY, DRIVE | | 1 | |
| 16 | 539990247 | WASHER | | 1 | |
| 17 | 522459702 | STOP | | 1 | |
| 18 | 539109389 | BOLT | | 1 | |
| 19 | 539990692 | WASHER | | 2 | |
| 20 | 539976979 | NUT | | 2 | |
| 21 | 539107475 | BOLT | | 4 | |
| 22 | 539990316 | BOLT | | 2 | |
| 23 | 532196105 | SPRING | | 1 | |
| 24 | 539110025 | BOLT | | 1 | |
| 25 | 539112899 | NUT, 5/16-18, NYLOC | | 2 | |
| 26 | 539110425 | FUEL LINE (5') | | 2 | |
| 27 | 539912222 | CLAMP | | 4 | |
| 28 | 539110065 | HCS 7/16-20 X 2-3/4 GR5 ZD | | 1 | |
| 29 | 539106504 | WASHER | | 1 | |
| 30 | 539916325 | VALVE | | 1 | |
| 31 | 532120616 | HHFS 3/8-16 X 1.0 THD FORMING | | 3 | |
| 32 | 539101362 | OIL DRAIN HOSE | | 1 | |
| 33 | 539101364 | DRAIN CAP | | 1 | |
| 34 | 539101363 | CLAMP | | 1 | |
| 35 | 539990362 | SCREW | | 1 | |
| 36 | 539102839 | SPACER | | 1 | |
| 37 | 539112670 | WASHER | | 1 | |



| REF. | PART NO. | DESCRIPTION | REMARK | QTY. | KIT |
|------|-----------|--------------------------------|--------|------|-----|
| 1 | 510177503 | FRAME | RT | 1 | |
| 2 | 510177403 | FRAME | LT | 1 | |
| 3 | 516001803 | FRAME | | 1 | |
| 4 | 510261802 | PLATE | | 1 | |
| 5 | 510206703 | PLATE | | 1 | |
| 6 | 510240502 | PLATE | | 1 | |
| 7 | 510245604 | PLATE | | 1 | |
| 8 | 522443302 | MOUNT | RT | 1 | |
| 9 | 522443304 | MOUNT | LT | 1 | |
| 10 | 516016402 | SUPPORT | | 1 | |
| 11 | 510225902 | SUPPORT | | 2 | |
| 12 | 516016302 | GUARD | | 1 | |
| 13 | 522842901 | PLATE | | 1 | |
| 14 | 522719502 | FOOT | | 1 | |
| 15 | 522924201 | SWIVEL | | 2 | |
| 16 | 521938101 | LINK | | 1 | |
| 17 | 515988101 | SPACER | | 6 | |
| 18 | 539102587 | ABSORBER | | 4 | |
| 19 | 539104411 | KNOB | | 1 | |
| 20 | 539102526 | PIN RETAINING SCREW | | 1 | |
| 21 | 539976989 | SPLIT PIN | | 1 | |
| 22 | 539990316 | BOLT | | 2 | |
| 23 | 874780540 | BOLT | | 2 | |
| 24 | 539102335 | BOLT | | 4 | |
| 25 | 874780536 | BOLT | | 8 | |
| 26 | 874780544 | BOLT | | 3 | |
| 27 | 874780648 | BOLT | | 8 | |
| 28 | 872140608 | BOLT | | 4 | |
| 29 | 817490642 | BOLT | | 4 | |
| 30 | 874780416 | BOLT | | 2 | |
| 31 | 872110405 | BOLT | | 6 | |
| 32 | 539110674 | SCR #10-12X1-1/2HEX WASH HD ZD | | 4 | |
| 33 | 539112899 | NUT, 5/16-18, NYLOC | | 12 | |
| 34 | 539990717 | NUT | | 7 | |
| 35 | 539976979 | NUT | | 14 | |
| 36 | 521996501 | NUT | | 4 | |
| 37 | 539119124 | NUT | | 2 | |
| 38 | 539976978 | NUT | | 8 | |
| 39 | 539990122 | WASHER | | 8 | |
| 40 | 539990188 | WASHER | | 20 | |
| 41 | 539109554 | WASH USS FLAT 1/2 | | 2 | |
| 42 | 539990055 | WASHER | | 4 | |
| 43 | 539990598 | WASHER | | 6 | |