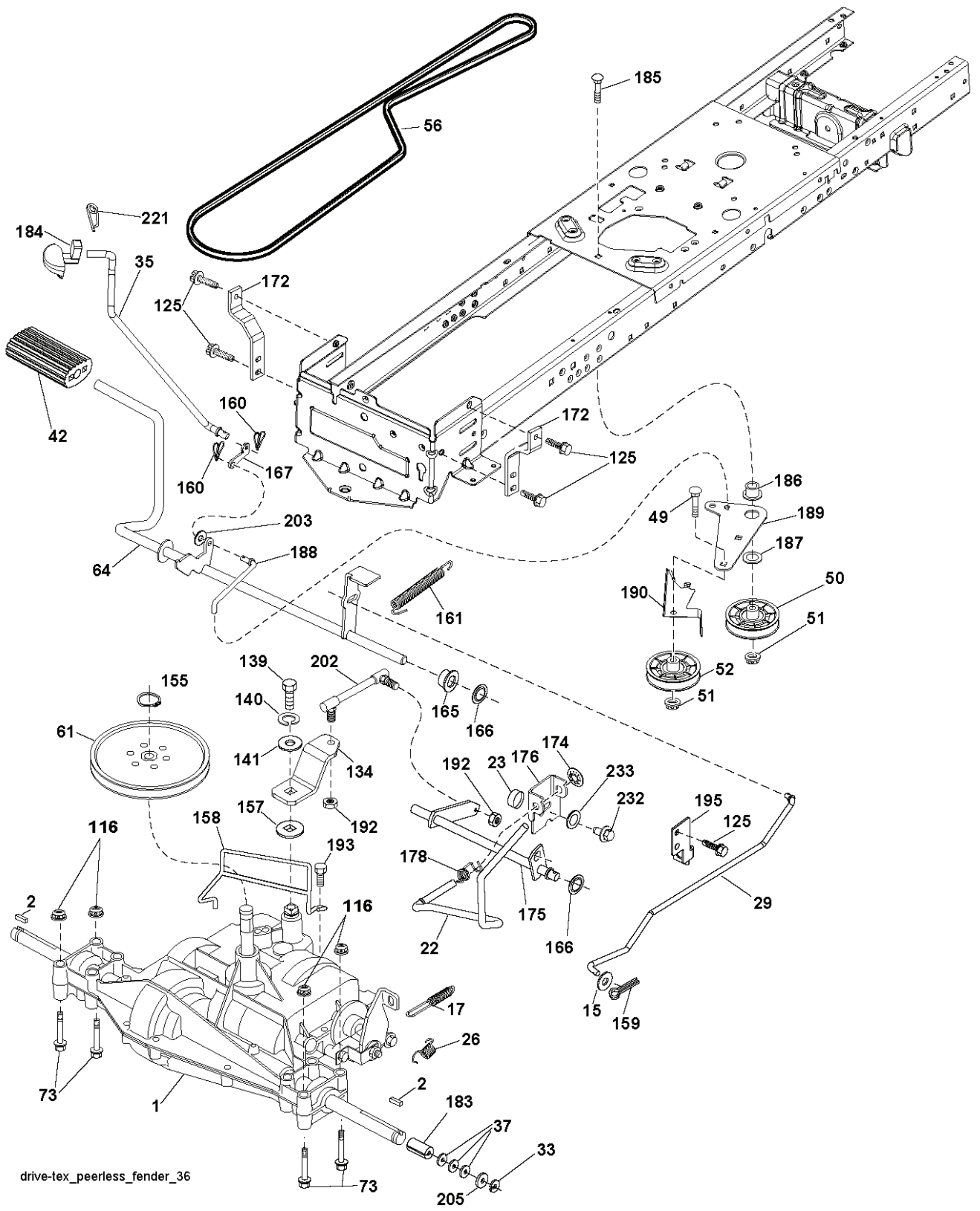


LT152, 96041002906, 2010 - 11

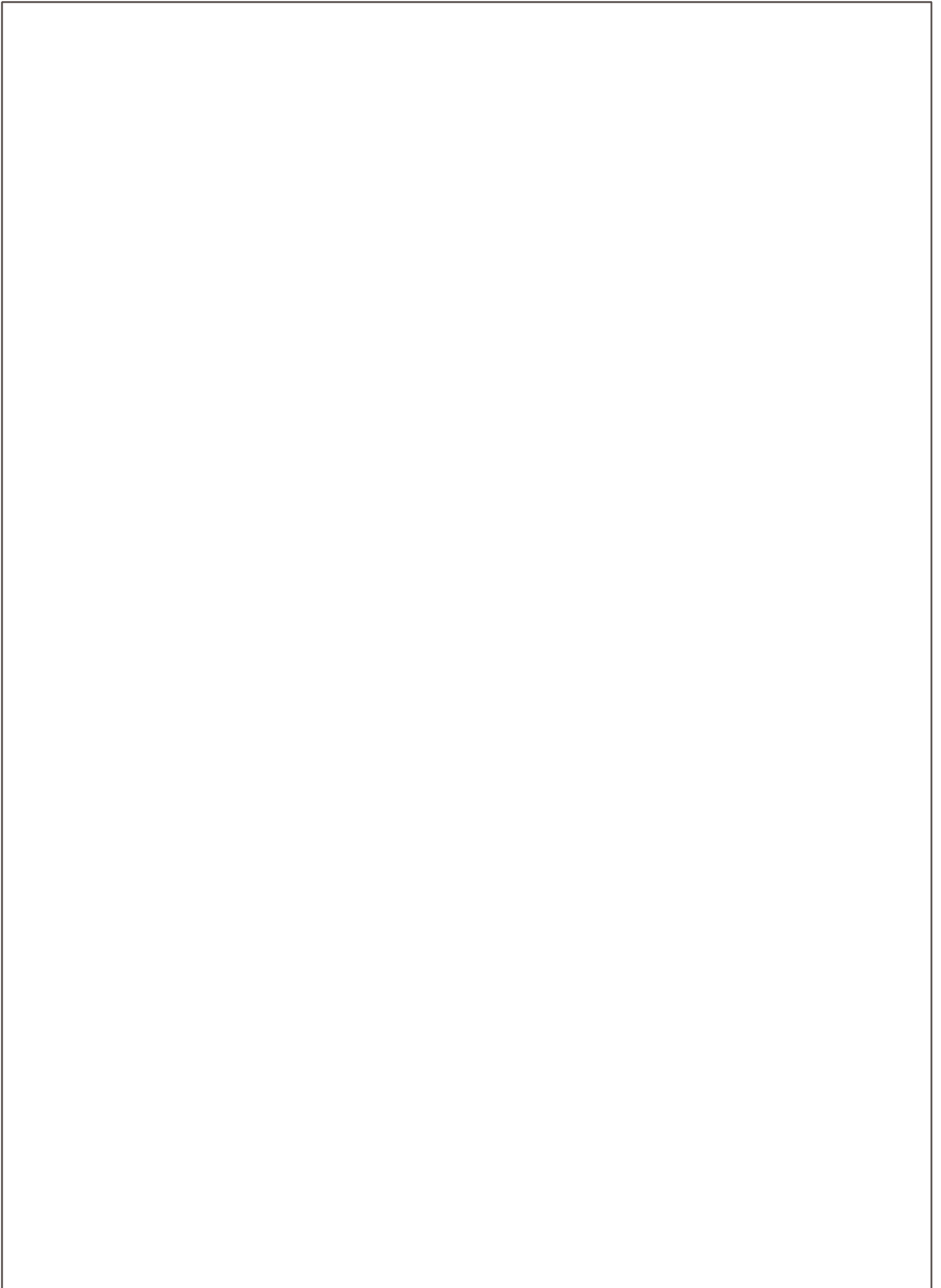
---

# **SPARE PARTS LIST**

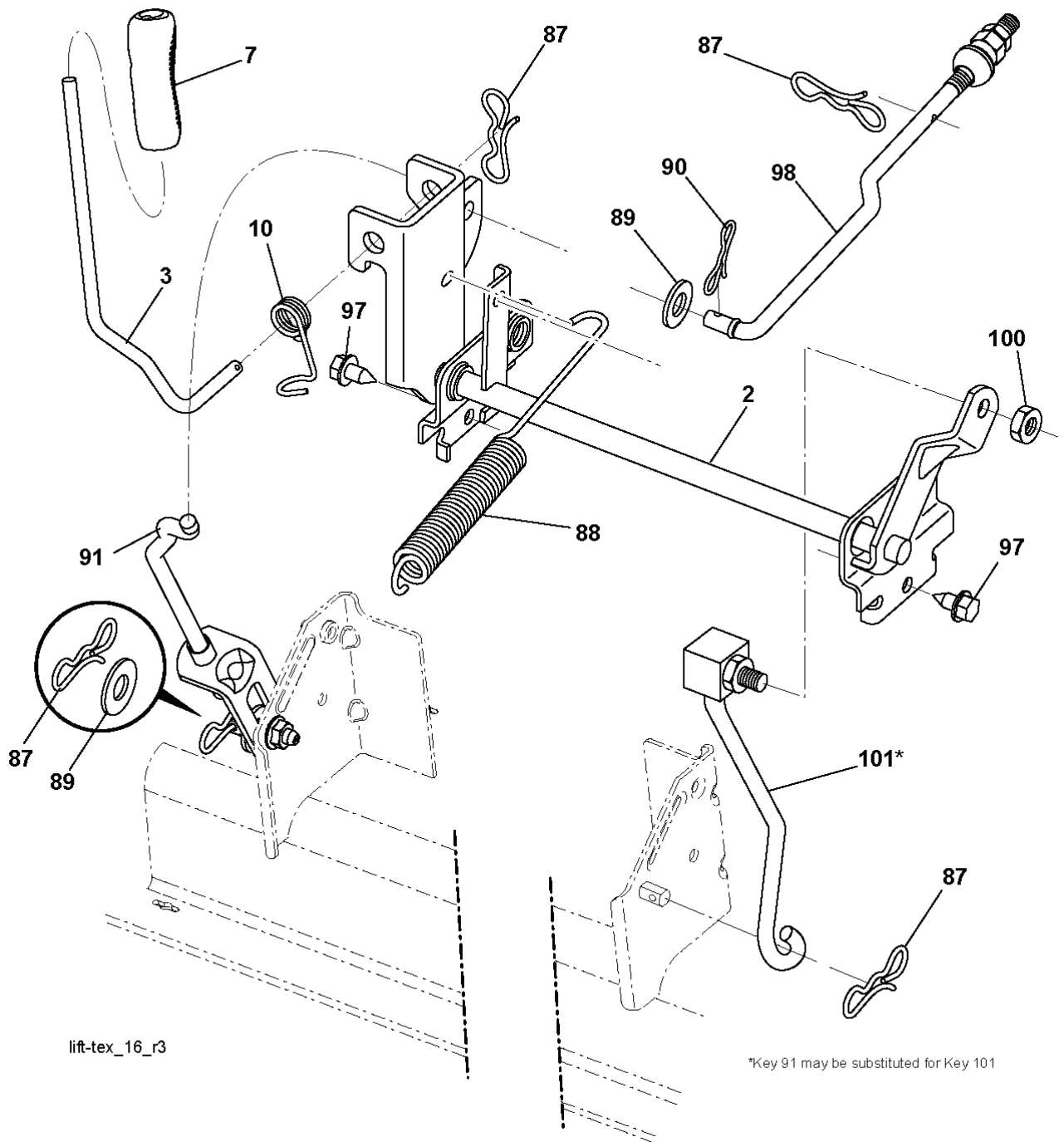


drive-tex\_peerless\_fender\_36

REF.	PART NO.	DESCRIPTION	REMARK	QTY.	KIT
1	000000000	W/O DESCRIPTION	Transaxle, Peerless 206-565	1	
2	532123583	KEY		1	
15	819131316	WASHER		1	
17	532197297	SPRING		1	
22	532197660	ROD		1	
23	532121274	KNOB		1	
26	532197455	SPRING		1	
29	532197267	ROD		1	
33	812000001	RETAINER RING		1	
35	532401031	ROD		1	
37	532121749	WASHER		1	
42	532124872	PEDAL RUBBER		1	
49	872110614	BOLT		1	
50	532194327	PULLEY		1	
51	873900600	NUT		1	
52	532194326	PULLEY		1	
56	532194346	BELT		1	
61	532123666	PULLEY		1	
64	532196200	SHAFT		1	
73	874490540	BOLT		1	
116	873900500	NUT		1	
125	817000512	SCREW		1	
134	532197857	ROD		1	
139	874550412	BOLT		1	
140	810040400	WASHER		1	
141	819091210	WASHER		1	
155	812000028	CLIP		1	
157	532105701	WASHER		1	
158	532194352	BELT GUIDE		1	
159	876020412	SPLIT PIN		1	
160	532169484	PIN		1	
161	532105709	SPRING		1	
165	532196212	BUSHING		1	
166	532429164	NUT		1	
167	532405257	LATCH		1	
172	532197657	STRAP		1	
174	532197289	NUT		1	
175	532197858	SHAFT		1	
176	532196214	ARM		1	
178	532197456	SPRING		1	
183	532137057	SPACER		1	
184	532409747	KNOB		1	
185	872110622	BOLT		1	
186	532194321	SPACER		1	
187	819133210	WASHER		1	
188	532194323	LINK		1	
189	532194317	PLATE		1	
190	532194318	BELT GUIDE		1	
192	532150360	NUT		1	
193	817060512	SCREW		1	
195	532197332	BRACKET		1	
202	532197859	LINK		1	
203	819111116	WASHER		1	
205	532121748	WASHER		1	
221	532403187	SPRING		1	
232	874780716	BOLT		1	
233	532405296	WASHER		1	



REF.	PART NO.	DESCRIPTION	REMARK	QTY.	KIT
1	532196495	HOUSING		1	
6	532195186	ARM		1	
7	532416358	SCREW		1	
8	532193003	SCREW		1	
11	532138971	BLADE		1	
13	532192872	SHAFT ASSY		1	
14	532187281	BEARING HOUSING		1	
15	532110485	BEARING		1	
19	532196539	BOLT		1	
20	532159770	RAIL		1	
21	873680500	NUT		1	
23	532192557	HINGE		1	
24	532105304	HUB CAP		1	
25	532197026	TORSION SPRING		1	
26	532110452	NUT		1	
27	532403004	SHIELD		1	
29	532131491	SHAFT		1	
30	532173984	SCREW		1	
31	532187690	WASHER		1	
32	532197473	PULLEY		1	
33	532400234	NUT		1	
34	872110612	BOLT		1	
36	532197379	PULLEY		1	
37	819131316	WASHER		1	
38	532432520	KEEPER		1	
40	873900600	NUT		1	
42	532198410	SPRING		1	
43	532197256	SPRING		1	
46	532137729	SCREW		1	
47	532197250	BRACKET		1	
55	532437110	ARM		1	
56	532199092	SPACER		1	
57	817000616	SCREW		1	
59	532141043	GUARD		1	
60	532197261	ARM		1	
62	872110616	BOLT		1	
63	532199477	ARM		1	
64	532199790	LINK		1	
67	532403012	HANDLE		1	
68	532429636	BELT		1	
69	872140505	BOLT		1	
70	532401246	CLUTCH		1	
113	817000510	BOLT		1	
116	532124842	BOLT		1	
117	532188606	WHEEL		1	
118	873900600	NUT		1	
119	819121414	WASHER		1	
122	532197258	BELT GUIDE		1	
123	532197259	BELT GUIDE		1	
144	532199204	BELT GUIDE		1	
145	532193197	PULLEY		1	
147	532401971	SPRING		1	
152	532435111	CABLE		1	
188	532195161	STUD		1	
189	873900500	NUT		1	
192	532197260	BRACKET		1	
195	817000612	SCREW		1	
241	532152927	SCREW		1	
242	532415598	HOSE COUPLING		1	
--	532192870	SPINDLE	Mandrel Assembly (Includes housing, shaft assembly, and bearing only - pulley/nut/washer and blade bolt/washers not included)	1	
--	532437730	CUTTING DECK		1	



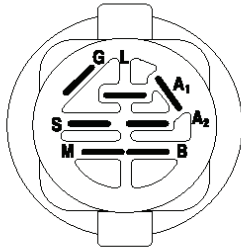
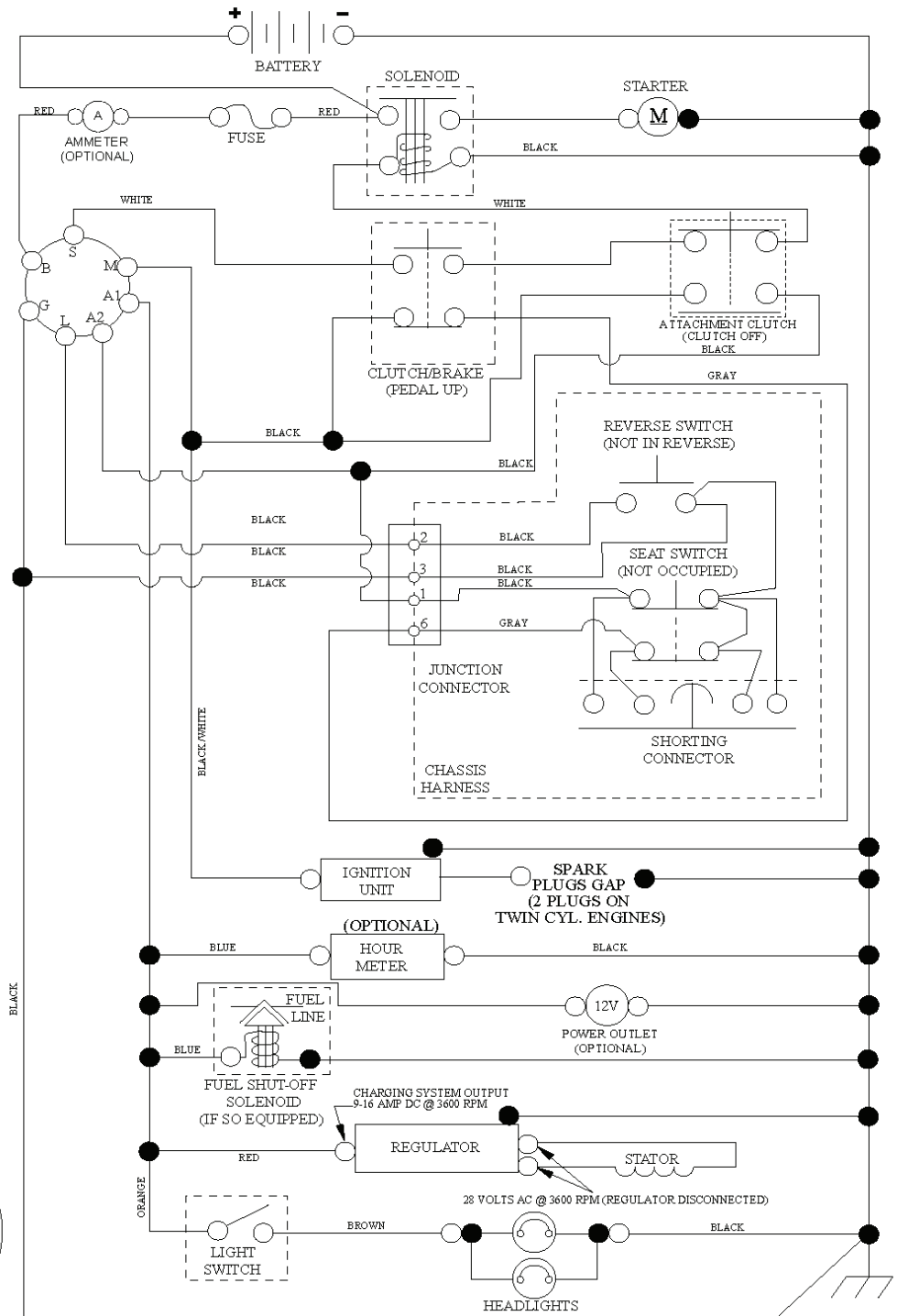
lift-tex\_16\_r3

\*Key 91 may be substituted for Key 101

---

REF.	PART NO.	DESCRIPTION	REMARK	QTY.	KIT
2	532422027	SHAFT		1	
3	532195231	LEVER		1	
7	532411555	GRIP		1	
10	532196314	SPRING		1	
87	532194209	SPRING		1	
88	532410710	SPRING		1	
89	819191912	WASHER		1	
90	532194208	PIN		1	
91	532195181	LINK		1	
97	817000612	SCREW		1	
98	532195270	LINK		1	
100	873930600	NUT		1	
101	532407003	LINK		1	

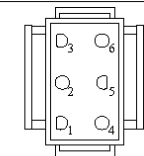




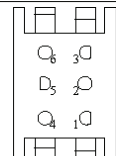
IGNITION SWITCH

POSITION	CIRCUIT	"MAKE"
OFF	M+G+A1	
RUN/OVERRIDE	B+A1	
RUN	B+A1	L+A2
START	B + S + A1	

03107



CHASSIS HARNESS CONNECTOR (MATING SIDE)



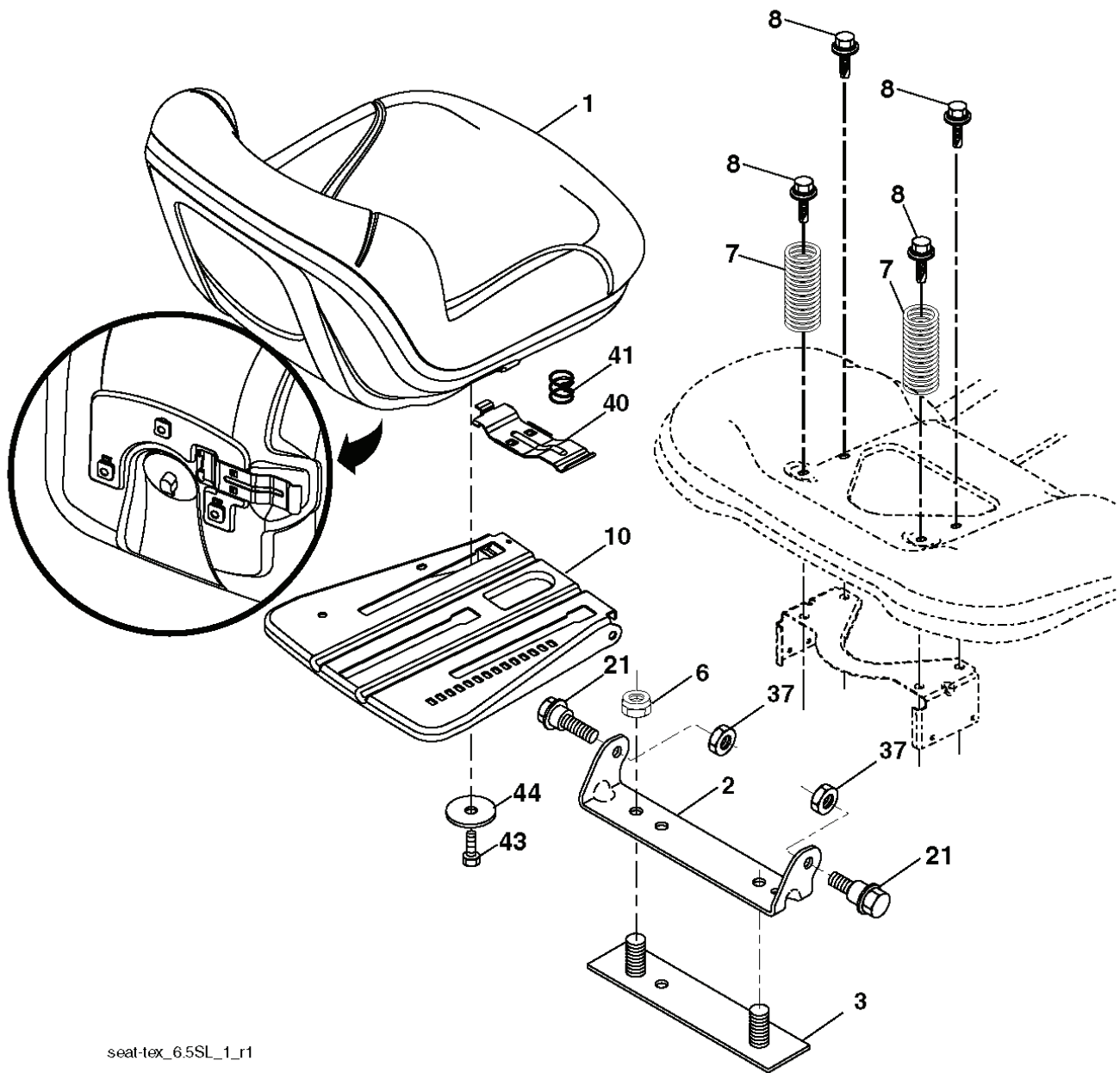
DASH HARNESS CONNECTOR (MATING SIDE)

WIRING INSULATED CLIPS  
NOTE: IF WIRING INSULATED CLIPS WERE REMOVED FOR SERVICING OF UNIT, THEY SHOULD BE RE-INSTALLED TO PROPERLY SECURE YOUR WIRING.

●  
NON-REMOVABLE CONNECTIONS

○  
REMOVABLE CONNECTIONS

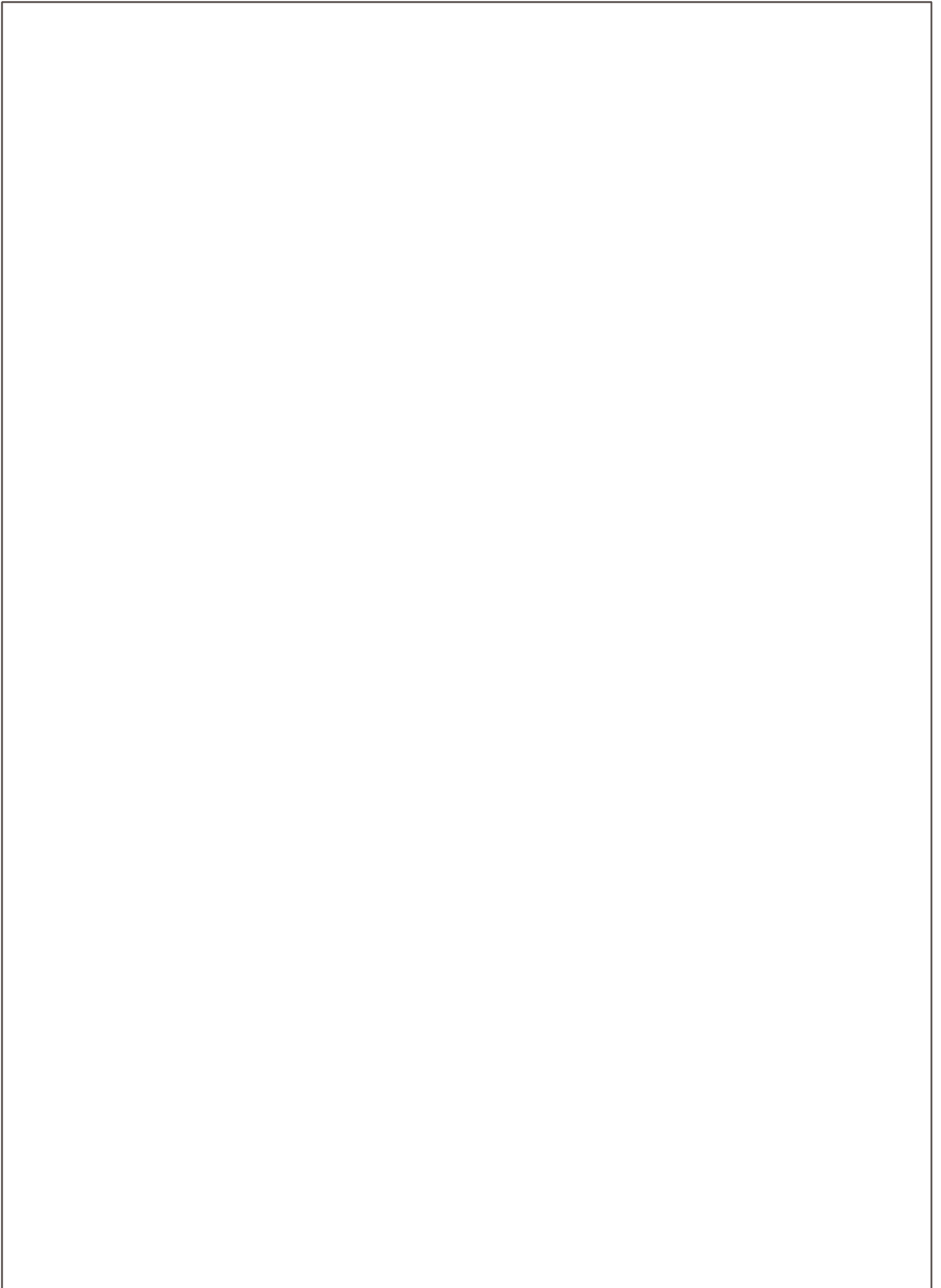




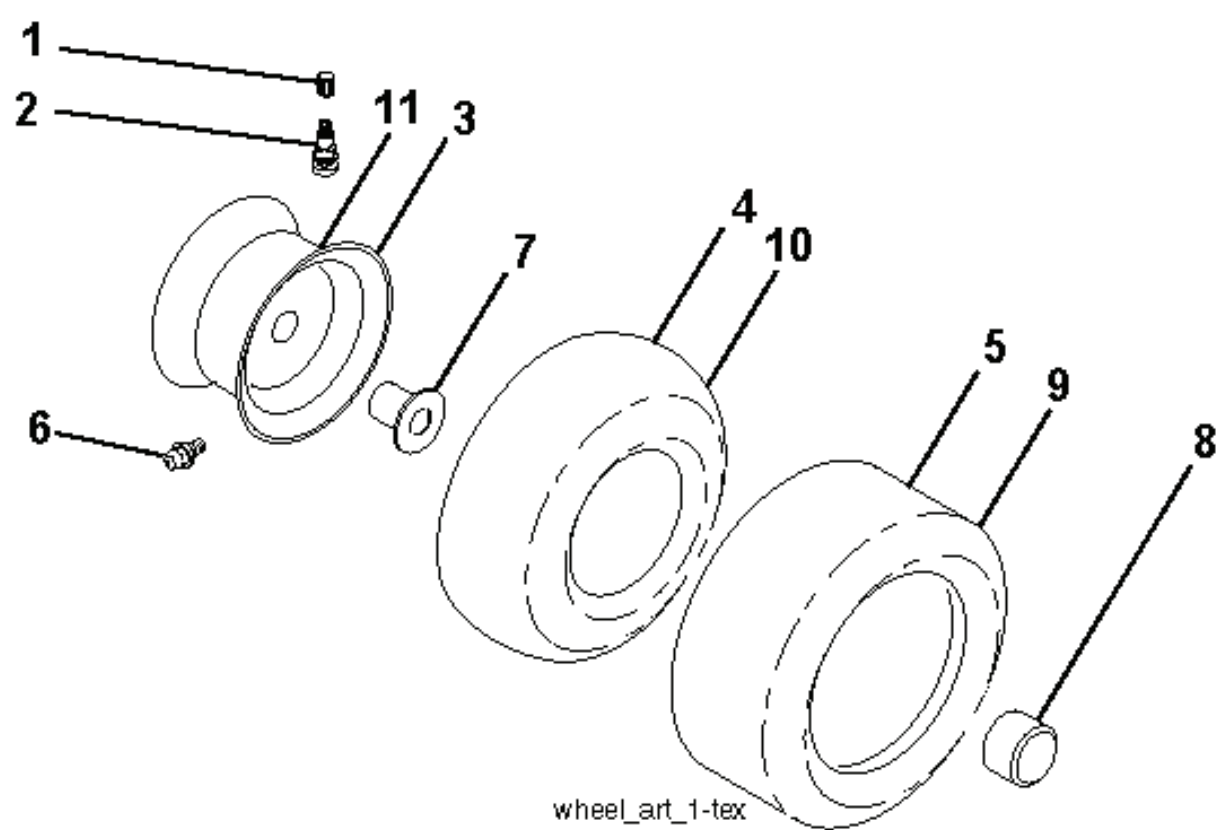
seat-tex\_6.5SL\_1\_r1

---

REF.	PART NO.	DESCRIPTION	REMARK	QTY.	KIT
1	532439819	SEAT		1	
2	532180166	BRACKET		1	
3	532140675	STRAP		1	
6	873800600	NUT		1	
7	532124181	SPRING		1	
8	532171877	BOLT		1	
10	532196977	PLATE		1	
21	532171852	BOLT		1	
37	873800500	LOCK NUT		1	
40	532197661	HANDLE		1	
41	532198200	SPRING		1	
43	874760612	BOLT		1	
44	819133812	WASHER		1	



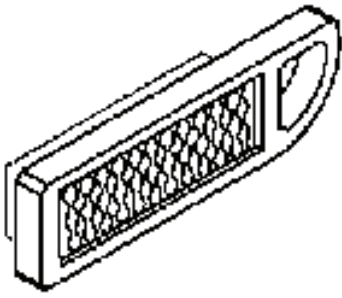
REF.	PART NO.	DESCRIPTION	REMARK	QTY.	KIT
1	532416480	STEERING WHEEL		1	
2	532418168	AXLE		1	
4	532403087	SPINDLE		1	
5	532403088	SPINDLE		1	
6	532124931	WASHER		1	
7	532121748	WASHER		1	
8	812000029	RETAINER RING		1	
9	532121232	HUB CAP		1	
13	532121749	WASHER		1	
14	810040600	WASHER		1	
15	873540600	NUT		1	
16	532429373	SHAFT		1	
19	532194729	PLATE		1	
20	532441113	BOOT		1	
21	532186737	ADAPTER		1	
22	532420537	SUPPORT		1	
26	532415987	KNOB		1	
28	817000612	SCREW		1	
33	810040500	WASHER		1	
35	532194732	PLATE		1	
45	819113812	WASHER		1	
53	532188967	WASHER		1	
57	532407465	BRACKET		1	
58	532194747	BOLT		1	
59	532194748	WASHER		1	
60	873971000	NUT		1	
61	532194740	LINK		1	
62	532194741	LINK		1	
63	817000512	SCREW		1	
64	532199849	SPRING RETAINER		1	
66	871020748	BOLT		1	
67	532194737	BUSHING		1	
68	873900700	NUT		1	
69	532199162	WASHER		1	
70	532196197	BRACKET		1	
71	532190752	SHAFT		1	
72	532428982	BOLT		1	
74	532124937	BEARING COL. STRG.		1	



---

REF.	PART NO.	DESCRIPTION	REMARK	QTY.	KIT
1	532059192	CAP VALVE		1	
2	532065139	NIPPLE		1	
3	532138336	RIM	Front 6"	1	
4	532059904	HOSE	(Service Item Only)	1	
5	532106222	TIRE	Front 15" x 6.0"-6"	1	
6	532124957	FITTING	(Front Wheel Only)	1	
7	532124959	BEARING	(Front Wheel Only)	1	
8	532175039	HUB CAP		1	
9	532420531	TIRE	Rear 18" x 9.5"-8"	1	
10	532124926	HOSE	(Service Item Only)	1	
11	532138337	RIM SPROCKET	Rear 8"	1	
--	532144334	SEALING FOAM		1	

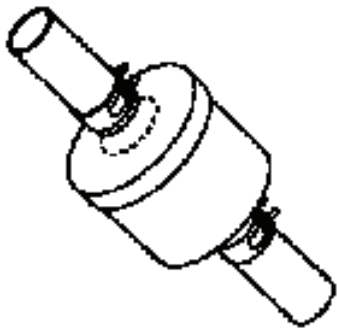




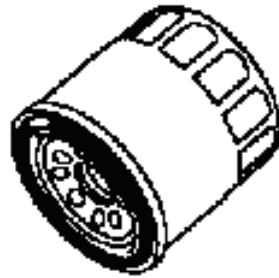
531 02 95-01



531 02 95-04



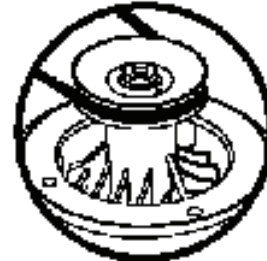
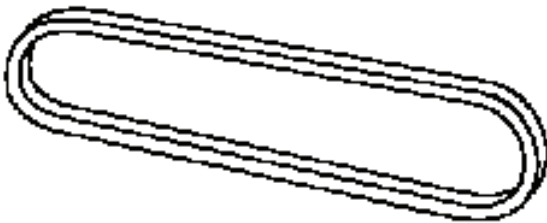
531 02 95-02



531 02 95-03



532 19 43-46



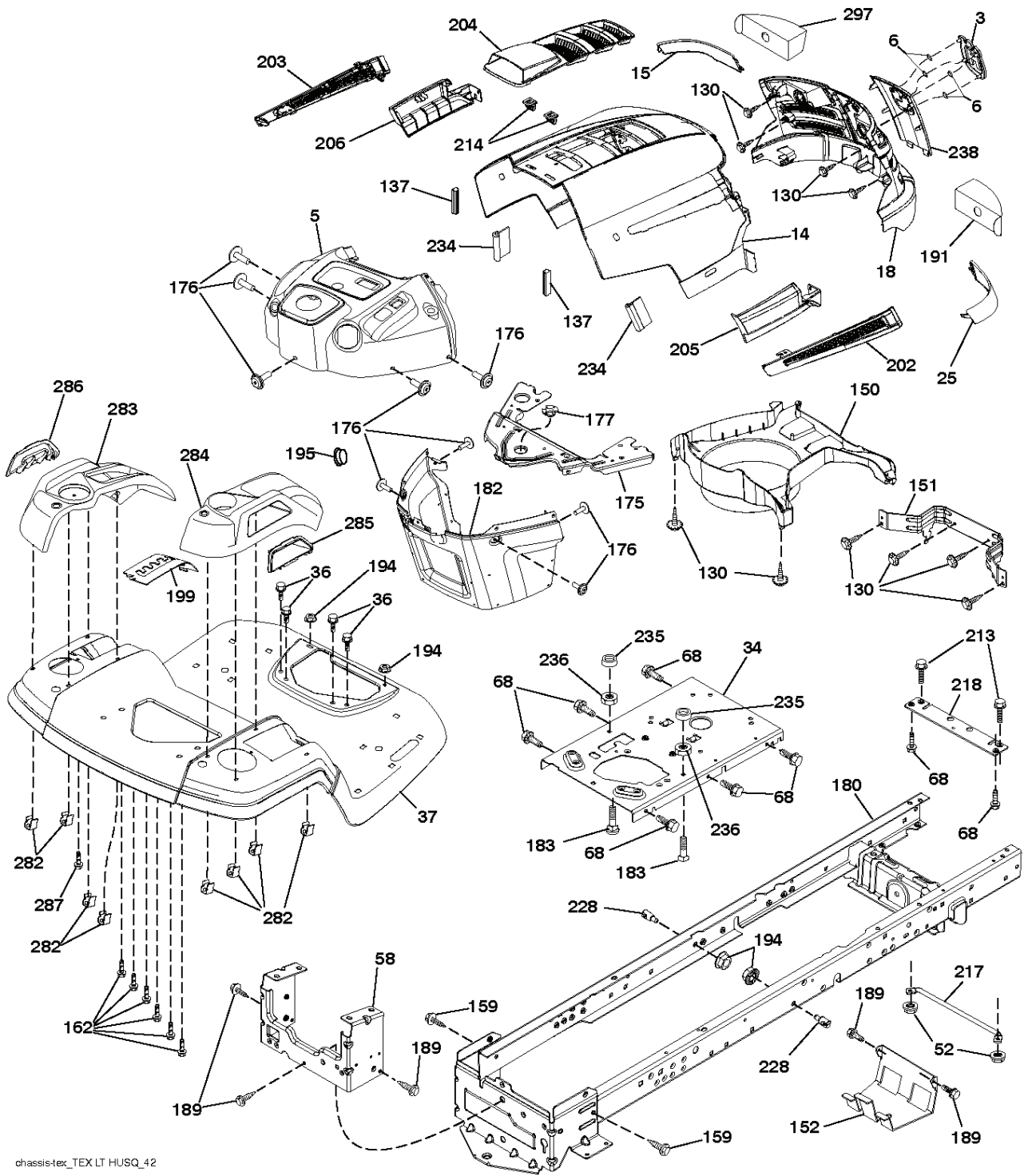
532 19 72-53

532 13 89-71

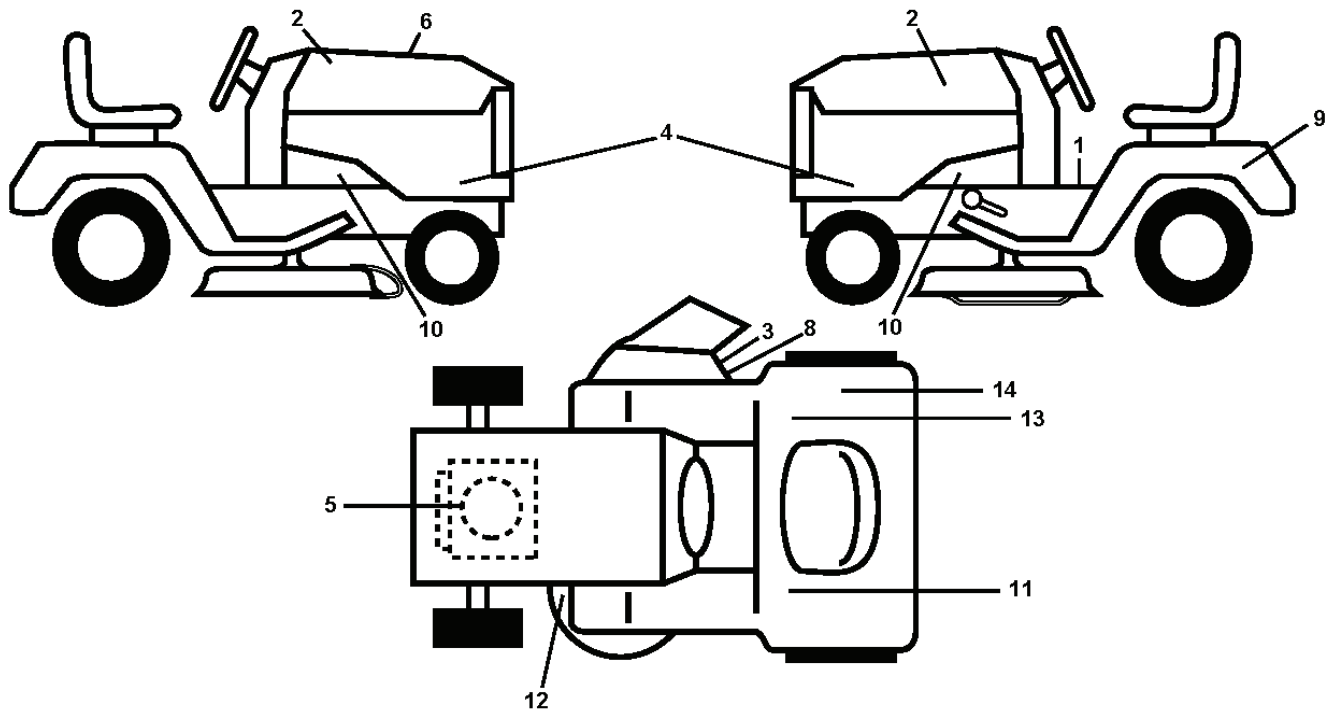


---

REF.	PART NO.	DESCRIPTION	REMARK	QTY.	KIT
531029501	531029501	AIR FILTER		1	
531029504	531029504	SPARK PLUG		1	
531029502	531029502	FILTER		1	
531029503	531029503	FILTER		1	
532194346	532194346	BELT		1	
532197253	532197253	BELT		1	
532138971	532138971	BLADE		1	



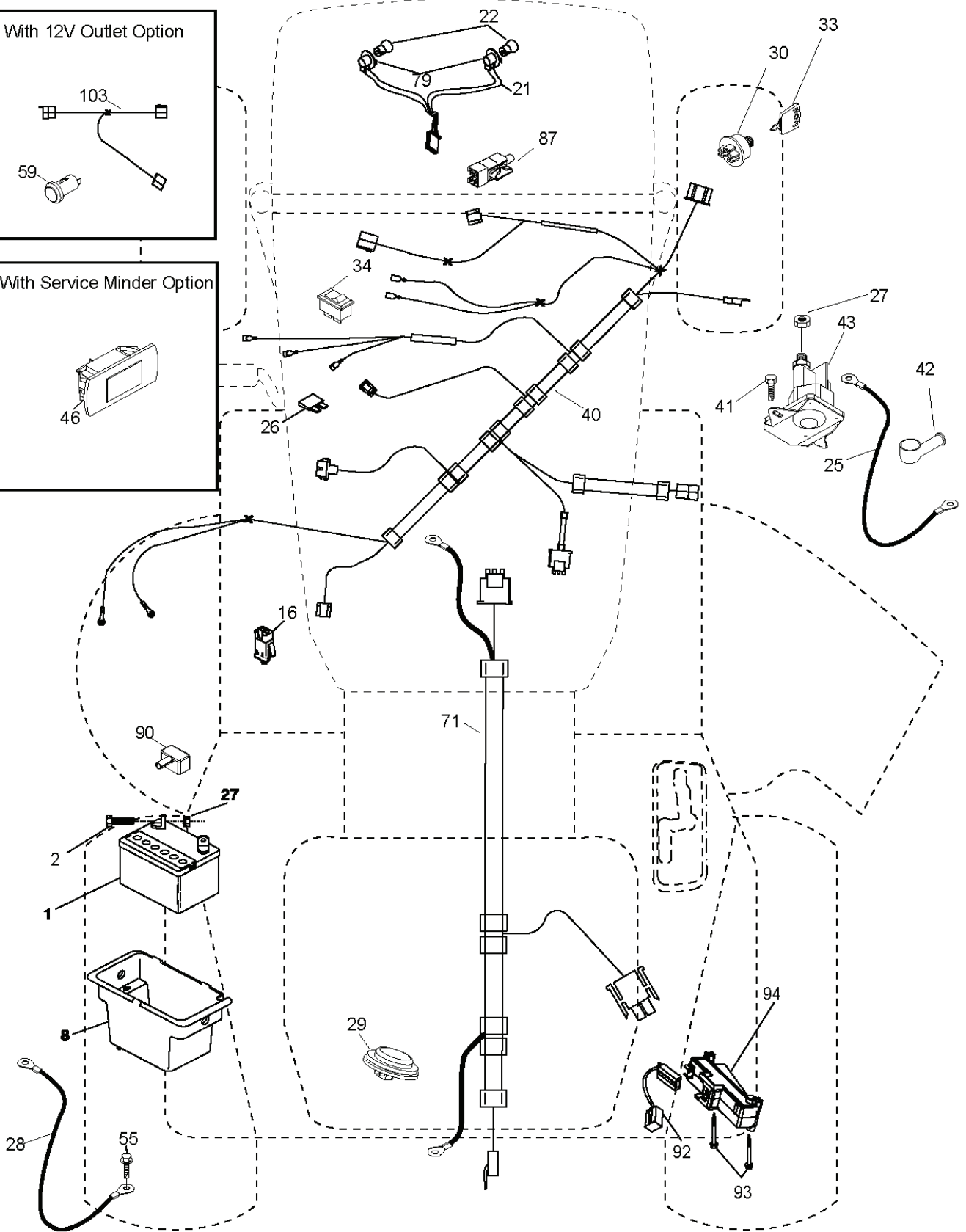
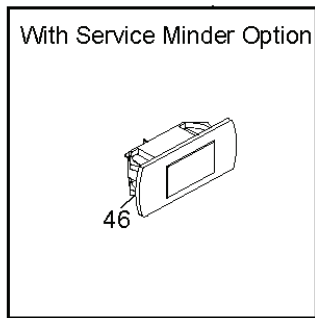
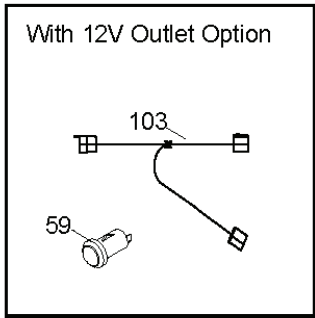
REF.	PART NO.	DESCRIPTION	REMARK	QTY.	KIT
3	532405012	LOGOTYPE		1	
5	532407592	PANEL		1	
6	532404883	CLIP		1	
14	532441267	HOOD		1	
15	532411079	LENS		1	
18	532426963	GRILLE		1	
25	532411078	LENS		1	
34	532196125	PLATE		1	
36	817060512	SCREW		1	
37	532416307	FENDER		1	
52	873680500	NUT		1	
58	532412280	PLATE		1	
68	817490508	SCREW		1	
130	532416358	SCREW		1	
137	532407590	DAMPING PIECE		1	
150	532407537	AIR CONDUCTOR		1	
151	532407807	BRACKET		1	
152	532199535	SHIELD		1	
159	817000612	SCREW		1	
162	532142432	SCREW		1	
175	532199472	PLATE		1	
176	532400776	SCREW		1	
177	532195228	BUSHING		1	
180	532415063	FRAME		1	
182	532407176	DASH		1	
183	874780520	BOLT		1	
189	817000512	SCREW		1	
191	532416501	INSERT		1	
194	873900500	NUT		1	
195	532411115	PLUG		1	
199	532413485	PLATE		1	
202	532411075	AIR CONDUCTOR		1	
203	532411074	AIR CONDUCTOR		1	
204	532411116	AIR CONDUCTOR		1	
205	532411076	FENDER		1	
206	532411077	FENDER		1	
213	874760512	BOLT		1	
214	532199145	CLIP		1	
217	532409167	ROD		1	
218	532196395	PLATE		1	
228	532195161	STUD		1	
234	532404742	DAMPING PIECE		1	
235	532406129	SPACER		1	
236	873930500	NUT		1	
238	532441128	COWL PANEL		1	
282	532414110	CLIP		1	
283	532416316	CONSOLE		1	
284	532416314	CONSOLE		1	
285	532416315	CONSOLE		1	
286	532416317	CONSOLE		1	
287	817600406	SCREW		1	
297	532406665	INSERT		1	



---

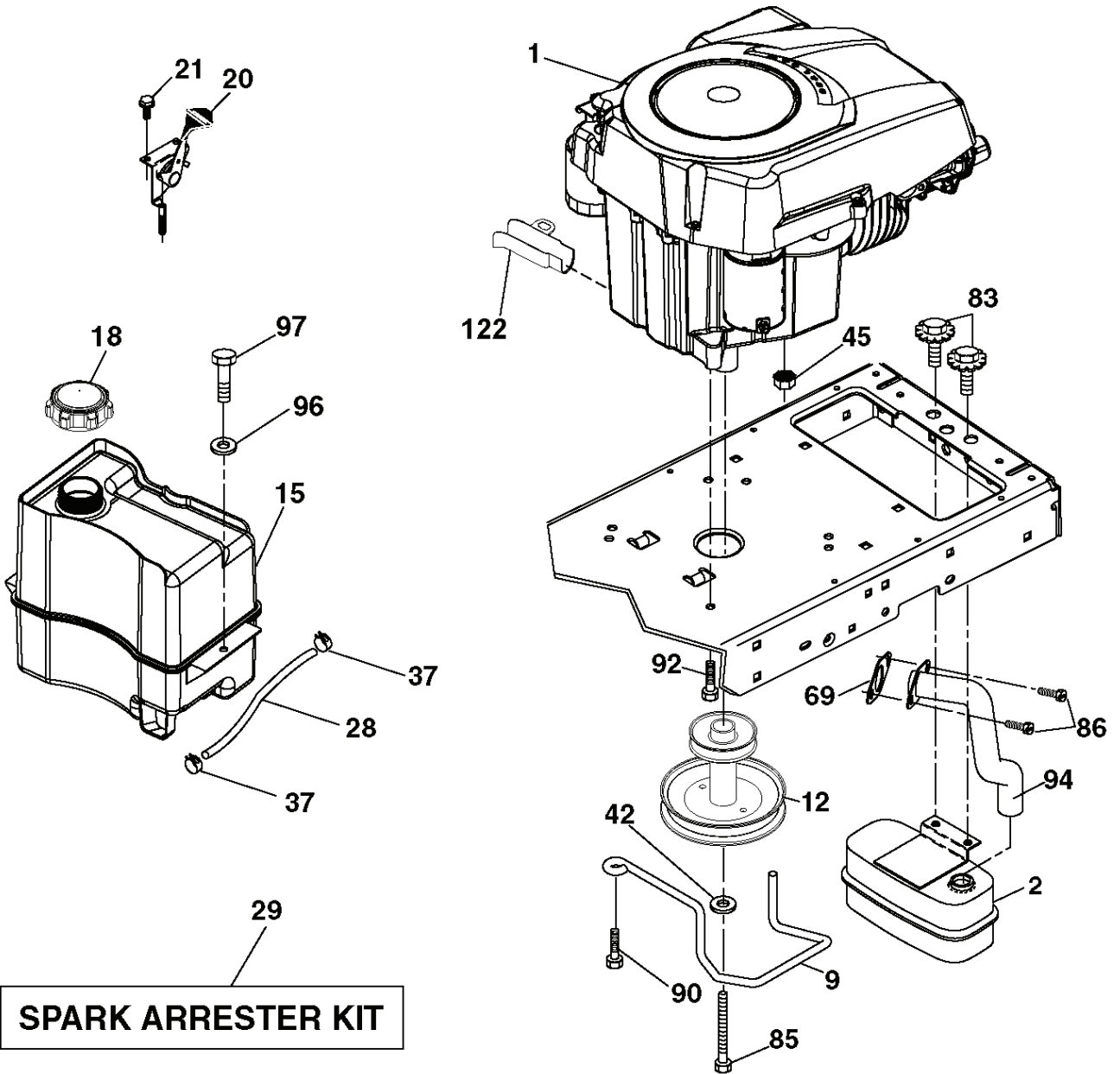
REF.	PART NO.	DESCRIPTION	REMARK	QTY.	KIT
1	532400389	LABEL		1	
2	581627301	DECAL		1	
3	532182166	DECAL		1	
4	532437991	CUP		1	
5	532196841	DECAL		1	
6	532430035	DECAL		1	
8	532196357	DECALC:"DANGER DEFLECTEUR"		1	
9	532145005	DECAL		1	
10	532159736	DECAL		1	
11	532159737	DECAL		1	
12	532160396	DECAL		1	
13	532140837	DECAL		1	
14	532180432	DECAL		1	
--	532162598	DECAL		1	
--	532410805	PAD		1	
--	532411056	PAD		1	

T02S



REF.	PART NO.	DESCRIPTION	REMARK	QTY.	KIT
1	532163465	BATTERY		1	
2	874760412	BOLT		1	
8	532193228	BOX		1	
16	532176138	MICRO SWITCH		1	
21	532400252	HARNESS		1	
22	532004152	BULB		1	
25	532412894	CABLE.STARTER.GGA.BL/R*SUBS/2*		1	
26	532175158	FUSE		1	
27	873510400	NUT		1	
28	532198885	CABLE		1	
29	532401545	SWITCH		1	
30	532193350	IGNITION MODULE		1	
33	532411935	KEY		1	
34	532110712	SWITCH		1	
40	532401098	CABLE		1	
41	817720408	SCREW		1	
42	532435395	TERMINAL COVER		1	
43	532192507	SOLENOID		1	
55	817060512	SCREW		1	
71	532400449	CABLE		1	
79	532175242	HOLDER		1	
87	532197802	SWITCH		1	
90	532131563	COVER		1	
92	532196615	CABLE ASSY		1	
93	532192540	SCREW		1	
94	532191834	MODULE.REVERSE.ROS		1	





engine-tex\_kohl\_23

REF.	PART NO.	DESCRIPTION	REMARK	QTY.	KIT
1	000000000	W/O DESCRIPTION	SV470-3212 (438330)	1	
2	532188655	MUFFLER		1	
9	532194319	BELT GUIDE		1	
12	532401985	PULLEY		1	
15	532407545	FUEL TANK		1	
18	532430220	FUEL CAP		1	
20	532183897	CONTROL		1	
21	532416358	SCREW		1	
28	532137040	HOSE		1	
29	532137180	SPARK ARRESTER KIT		1	
37	532123487	HOSE CLAMP		1	
42	810040700	WASHER		1	
45	873510400	NUT		1	
69	532185909	GASKET		1	
83	532171877	BOLT		1	
85	532173937	BOLT		1	
86	532192334	SCREW		1	
90	817000616	SCREW		1	
92	817120616	SCREW		1	
94	532188654	TUBE EXHAUST		1	
96	819091416	WASHER		1	
97	817670412	SCREW		1	
122	532421922	EXTENSION PIPE		1	
	PART NO.		REMARK		KIT