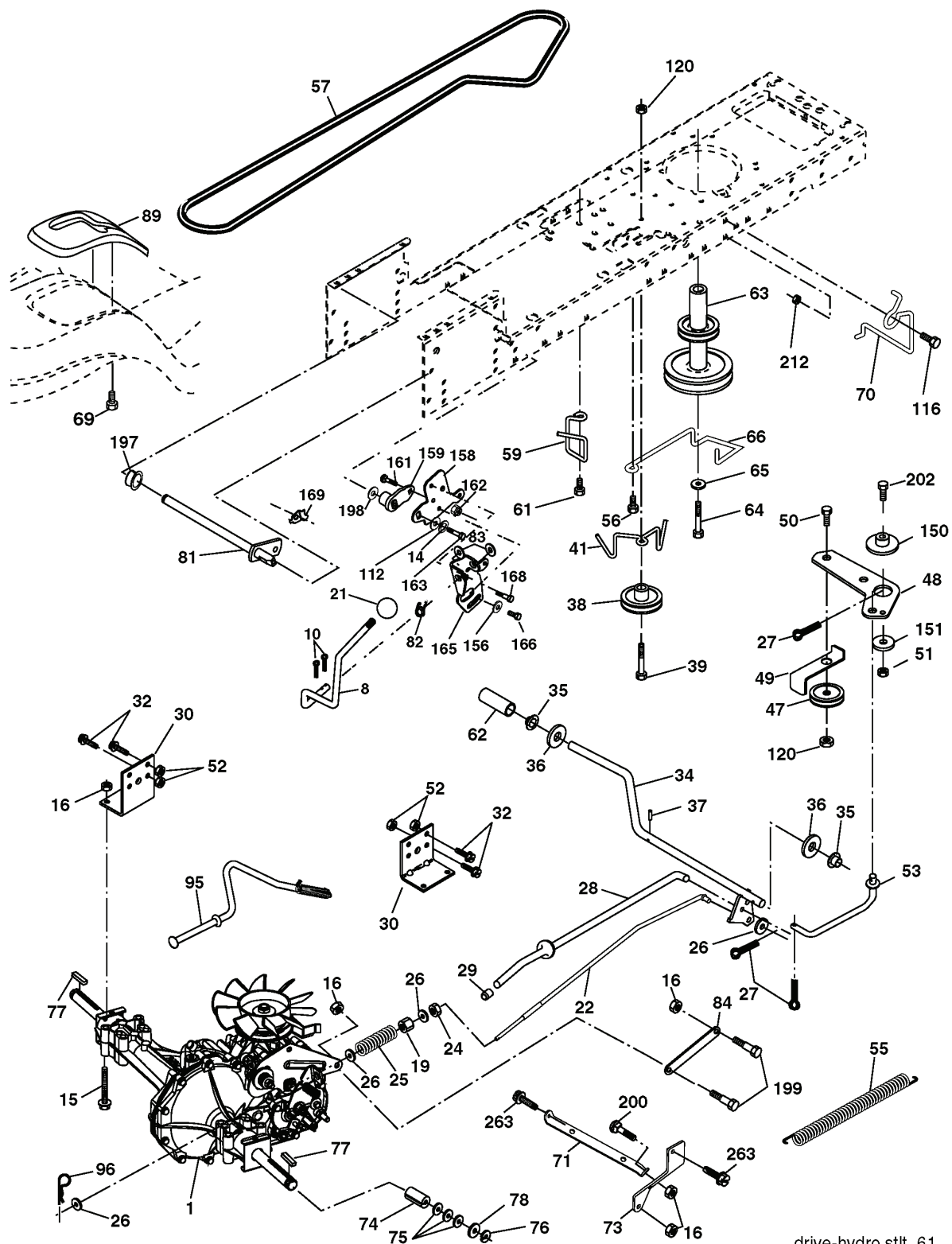


LTH1742, HAU17H42B, 954170224, 2004-0

SPARE PARTS LIST

REPAIR PARTS

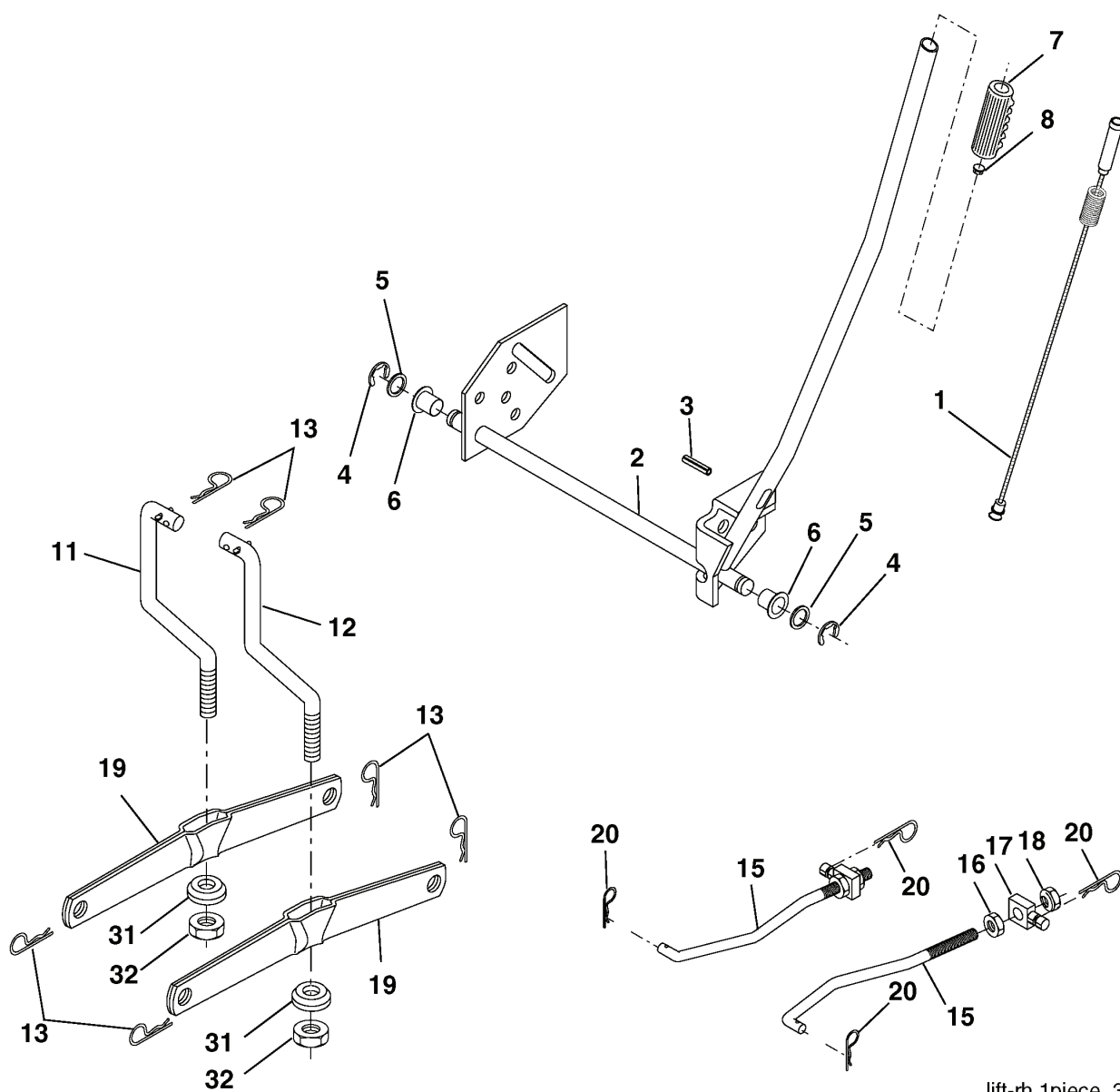
TRACTOR - MODEL NO. LTH1742 (HAU17H42B), PRODUCT NO. 954 17 02-24
DRIVE



| REF. | PART NO. | DESCRIPTION | REMARK | QTY. | KIT |
|------|-----------|---------------------|--------|------|-----|
| 8 | 532165866 | ROD | | 1 | |
| 10 | 876020416 | SPLIT PIN | | 1 | |
| 14 | 810040400 | WASHER | | 1 | |
| 15 | 874490544 | SCREW | | 1 | |
| 16 | 873800500 | LOCK NUT | | 1 | |
| 19 | 873800600 | NUT | | 1 | |
| 21 | 532121274 | KNOB | | 1 | |
| 22 | 532169498 | ROD | | 1 | |
| 24 | 873350600 | NUT | | 1 | |
| 25 | 532106888 | SPRING | | 1 | |
| 26 | 819131316 | WASHER | | 1 | |
| 27 | 876020412 | SPLIT PIN | | 1 | |
| 28 | 532175765 | SHAFT | | 1 | |
| 29 | 532071673 | COVER | | 1 | |
| 30 | 532169592 | BRACKET | | 1 | |
| 32 | 874760512 | BOLT | | 1 | |
| 34 | 532175578 | SHAFT | | 1 | |
| 35 | 532120183 | BEARING | | 1 | |
| 36 | 819211616 | WASHER | | 1 | |
| 37 | 532124963 | PIN RETAINING SCREW | | 1 | |
| 38 | 532179114 | PULLEY | | 1 | |
| 39 | 872110622 | BOLT | | 1 | |
| 41 | 532175556 | BELT GUIDE | | 1 | |
| 47 | 532127783 | PULLEY | | 1 | |
| 48 | 532154407 | GUIDE | | 1 | |
| 49 | 532123205 | BELT GUIDE | | 1 | |
| 50 | 872110612 | BOLT | | 1 | |
| 51 | 873680600 | NUT | | 1 | |
| 52 | 873680500 | NUT | | 1 | |
| 53 | 532105710 | LINK | | 1 | |
| 55 | 532105709 | SPRING | | 1 | |
| 56 | 817060620 | SCREW | | 1 | |
| 57 | 532140294 | BELT | | 1 | |
| 59 | 532169691 | BELT GUIDE | | 1 | |
| 61 | 817120614 | SCREW | | 1 | |
| 62 | 532123533 | PEDAL RUBBER | | 1 | |
| 63 | 532175410 | PULLEY | | 1 | |
| 64 | 532173937 | BOLT | | 1 | |
| 65 | 810040700 | WASHER | | 1 | |
| 66 | 532154778 | TENSIONER | | 1 | |
| 69 | 532142432 | SCREW | | 1 | |
| 70 | 532134683 | BELT GUIDE | | 1 | |
| 71 | 532169183 | ROD | | 1 | |
| 73 | 532169182 | BRACKET | | 1 | |
| 74 | 532137057 | SPACER | | 1 | |
| 75 | 532121749 | WASHER | | 1 | |
| 76 | 812000001 | RETAINER RING | | 1 | |
| 77 | 532123583 | KEY | | 1 | |
| 78 | 532121748 | WASHER | | 1 | |
| 81 | 532165596 | SHAFT | | 1 | |
| 82 | 532165711 | SPRING | | 1 | |
| 83 | 819171216 | WASHER | | 1 | |
| 84 | 532169594 | LINK | | 1 | |
| 89 | 532191816 | BRACKET | | 1 | |
| 95 | 532170201 | CONTROL | | 1 | |
| 96 | 532124788 | RETAINER RING | | 1 | |
| 112 | 819091210 | WASHER | | 1 | |
| 116 | 872140608 | BOLT | | 1 | |
| 120 | 873900600 | NUT | | 1 | |
| 150 | 532175456 | SPACER | | 1 | |
| 151 | 819133210 | WASHER | | 1 | |
| 156 | 532166002 | WASHER | | 1 | |
| 158 | 532165589 | BRACKET | | 1 | |
| 159 | 532183900 | LEVER | | 1 | |
| 161 | 872140406 | BOLT | | 1 | |
| 162 | 873680400 | NUT | | 1 | |
| 163 | 874780416 | BOLT | | 1 | |
| 165 | 532165623 | BRACKET | | 1 | |
| 166 | 817490510 | SCREW | | 1 | |
| 168 | 532165492 | BOLT | | 1 | |
| 169 | 532165580 | RETAINER | | 1 | |
| 197 | 532169613 | SLEEVE | | 1 | |
| 198 | 532169593 | WASHER | | 1 | |
| 199 | 532169612 | SCREW | | 1 | |
| 200 | 872140508 | BOLT | | 1 | |
| 202 | 872110614 | BOLT | | 1 | |
| 212 | 532145212 | NUT | | 1 | |
| 263 | 817000612 | SCREW | | 1 | |

REPAIR PARTS

TRACTOR - MODEL NO. LTH1742 (HAU17H42B), PRODUCT NO. 954 17 02-24
MOWER LIFT

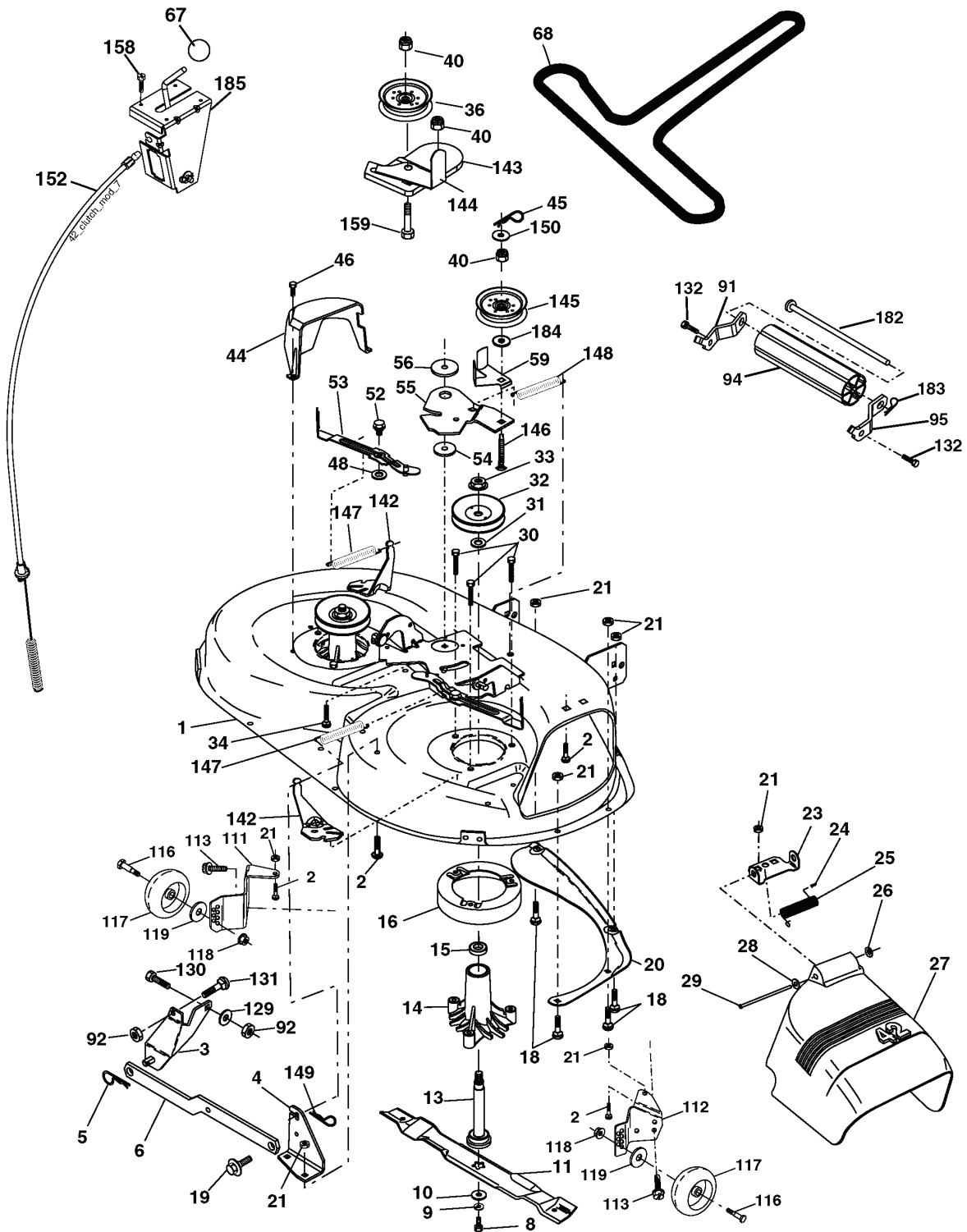


lift-rh.1piece_3

| REF. | PART NO. | DESCRIPTION | REMARK | QTY. | KIT |
|------|-----------|---------------------|--------|------|-----|
| 1 | 532159460 | WIRE | | 1 | |
| 2 | 532159471 | LEVER | | 1 | |
| 3 | 532105767 | PIN RETAINING SCREW | | 1 | |
| 4 | 812000002 | RETAINER RING | | 1 | |
| 5 | 819211621 | WASHER | | 1 | |
| 6 | 532120183 | BEARING | | 1 | |
| 7 | 532125631 | HANDLE | | 1 | |
| 8 | 532124526 | KNOB | | 1 | |
| 11 | 532139865 | LINK | | 1 | |
| 12 | 532139866 | LINK | | 1 | |
| 13 | 532124670 | RETAINER RING | | 1 | |
| 15 | 532173288 | LINK | | 1 | |
| 16 | 873350800 | NUT | | 1 | |
| 17 | 532175689 | BRACKET | | 1 | |
| 18 | 873800800 | NUT | | 1 | |
| 19 | 532139868 | LEVER | | 1 | |
| 20 | 532163552 | CLIP | | 1 | |
| 31 | 532169865 | BEARING | | 1 | |
| 32 | 873540600 | NUT | | 1 | |

REPAIR PARTS

TRACTOR - MODEL NO. LTH1742 (HAU17H42B), PRODUCT NO. 954 17 02-24
MOWER DECK

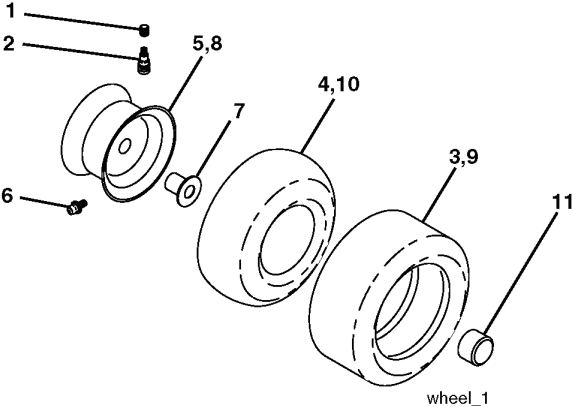


| REF. | PART NO. | DESCRIPTION | REMARK | QTY. | KIT |
|------|-----------|-------------------------|--------|------|-----|
| 1 | 532165892 | HOUSING ASM MOWER 42" | | 1 | |
| 2 | 872140506 | BOLT | | 1 | |
| 3 | 532138017 | BRACKE | | 1 | |
| 4 | 532165460 | BRACKET | | 1 | |
| 5 | 532124670 | RETAINER RING | | 1 | |
| 6 | 532178024 | LEVER | | 1 | |
| 8 | 532850857 | BOLT | | 1 | |
| 9 | 810030600 | WASHER | | 1 | |
| 10 | 532140296 | WASHER | | 1 | |
| 11 | 532138971 | BLADE | | 1 | |
| 13 | 532137645 | SHAFT | | 1 | |
| 14 | 532128774 | BEARING HOUSING | | 1 | |
| 15 | 532110485 | BEARING | | 1 | |
| 16 | 532174493 | STRIPPER. MANDREL.BLACK | | 1 | |
| 18 | 872140505 | BOLT | | 1 | |
| 19 | 532132827 | SPEC. BOLT | | 1 | |
| 20 | 532159770 | RAIL | | 1 | |
| 21 | 873680500 | NUT | | 1 | |
| 23 | 532177563 | BRACKET | | 1 | |
| 24 | 532105304 | HUB CAP | | 1 | |
| 25 | 532123713 | SPRING | | 1 | |
| 26 | 532110452 | NUT | | 1 | |
| 27 | 532171859 | SHIELD DEFL ECTOR | | 1 | |
| 28 | 819111016 | WASHER | | 1 | |
| 29 | 532131491 | SHAFT | | 1 | |
| 30 | 532173984 | SCREW | | 1 | |
| 31 | 532187690 | WASHER | | 1 | |
| 32 | 532153535 | PULLEY | | 1 | |
| 33 | 532178342 | NUT | | 1 | |
| 34 | 872110612 | BOLT | | 1 | |
| 36 | 532131494 | PULLEY | | 1 | |
| 40 | 873900600 | NUT | | 1 | |
| 44 | 532140088 | GUARD | | 1 | |
| 45 | 532124788 | RETAINER RING | | 1 | |
| 46 | 532137729 | SCREW | | 1 | |
| 48 | 532133944 | WASHER | | 1 | |
| 52 | 532139888 | BOLT | | 1 | |
| 53 | 532184907 | ARM | | 1 | |
| 54 | 532178515 | WASHER | | 1 | |
| 55 | 532155046 | LEVER | | 1 | |
| 56 | 532165723 | SPACER | | 1 | |
| 59 | 532141043 | GUARD | | 1 | |
| 67 | 532106932 | KNOB | | 1 | |
| 68 | 532144959 | BELT | | 1 | |
| 91 | 532180532 | BRACKET | | 1 | |
| 92 | 873800600 | NUT | | 1 | |
| 94 | 532132264 | ROLLER | | 1 | |
| 95 | 532180533 | BRACKET | | 1 | |
| 111 | 532179292 | BRACKET | | 1 | |
| 112 | 532179293 | BRACKET | | 1 | |
| 113 | 817000510 | BOLT | | 1 | |
| 116 | 532124842 | BOLT | | 1 | |
| 117 | 532165746 | WHEEL | | 1 | |
| 118 | 873930600 | NUT | | 1 | |
| 119 | 819121414 | WASHER | | 1 | |
| 129 | 819131312 | WASHER | | 1 | |
| 130 | 874780616 | BOLT | | 1 | |
| 131 | 872140608 | BOLT | | 1 | |
| 132 | 817000612 | SCREW | | 1 | |
| 142 | 532165890 | BRACKET | | 1 | |
| 143 | 532157109 | BRACKET | | 1 | |
| 144 | 532158634 | BELT GUIDE | | 1 | |
| 145 | 532165888 | PULLEY | | 1 | |
| 146 | 532171977 | SHAFT | | 1 | |
| 147 | 532131335 | SPRING | | 1 | |
| 148 | 532169022 | SPRING | | 1 | |
| 149 | 532165898 | SPRING | | 1 | |
| 150 | 819091210 | WASHER | | 1 | |
| 152 | 532169676 | WIRE | | 1 | |
| 158 | 817720408 | SCREW | | 1 | |
| 159 | 872140614 | BOLT | | 1 | |
| 182 | 532179126 | PIN RETAINING SCREW | | 1 | |
| 183 | 532163552 | CLIP | | 1 | |
| 184 | 819131410 | WASHER | | 1 | |
| 185 | 532188234 | CABLE | | 1 | |
| -- | 532130794 | MANDREL | | 1 | |
| -- | 532171491 | HOUSING | | 1 | |

REPAIR PARTS

TRACTOR - MODEL NO. LTH1742 (HAU17H42B), PRODUCT NO. 954 17 02-24

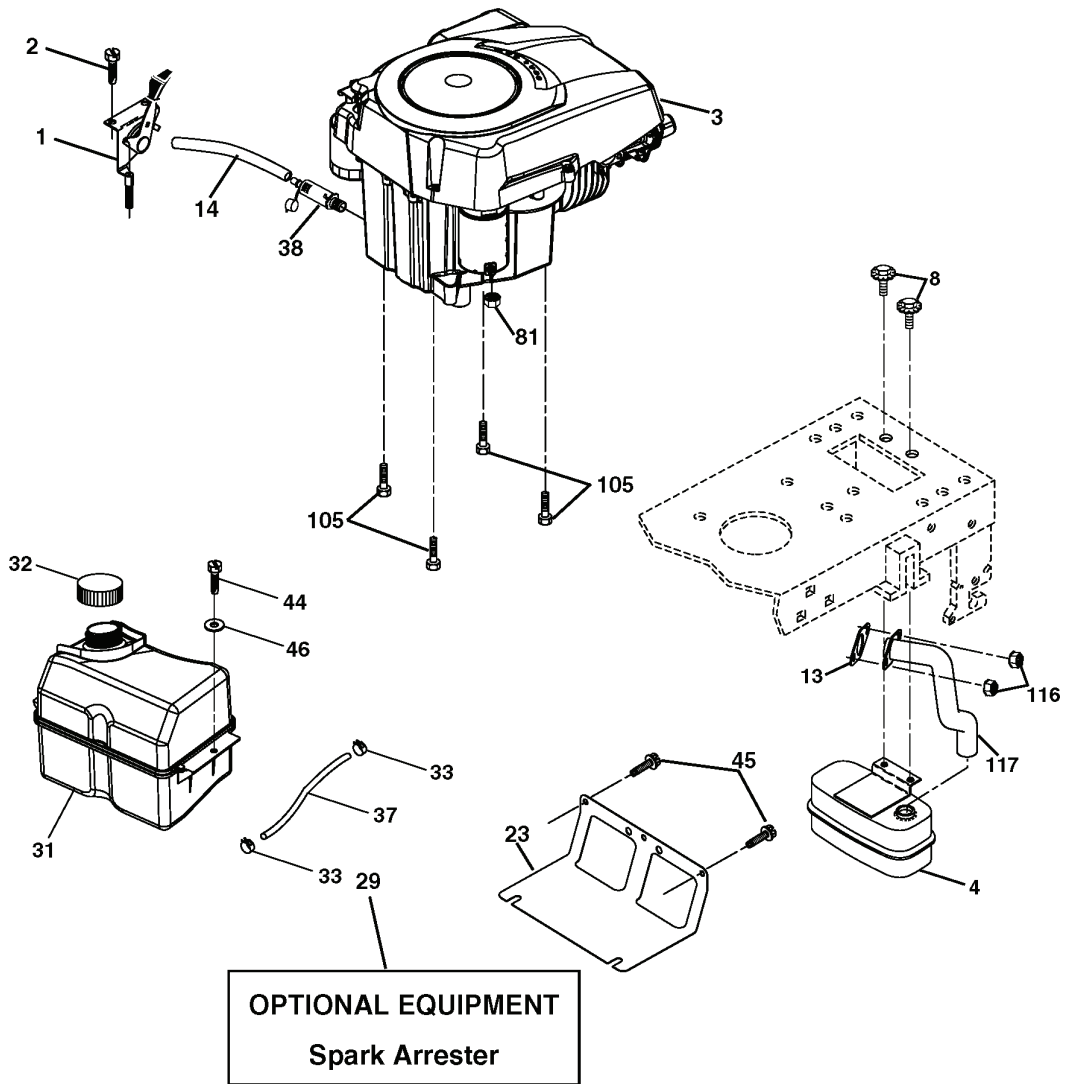
WHEELS & TIRES



| REF. | PART NO. | DESCRIPTION | REMARK | QTY. | KIT |
|------|-----------|--------------|--------|------|-----|
| 1 | 532059192 | CAP VALVE | | 1 | |
| 2 | 532065139 | NIPPLE | | 1 | |
| 3 | 532106222 | TIRE | | 1 | |
| 4 | 532059904 | HOSE | | 1 | |
| 5 | 532138336 | RIM | | 1 | |
| 6 | 532124957 | FITTING | | 1 | |
| 7 | 532124959 | BEARING | | 1 | |
| 8 | 532138337 | RIM.SPROCKET | | 1 | |
| 9 | 532122082 | TIRE | | 1 | |
| 10 | 532124926 | HOSE | | 1 | |
| 11 | 532175039 | HUB CAP | | 1 | |
| -- | 532144334 | SEALING FOAM | | 1 | |

REPAIR PARTS

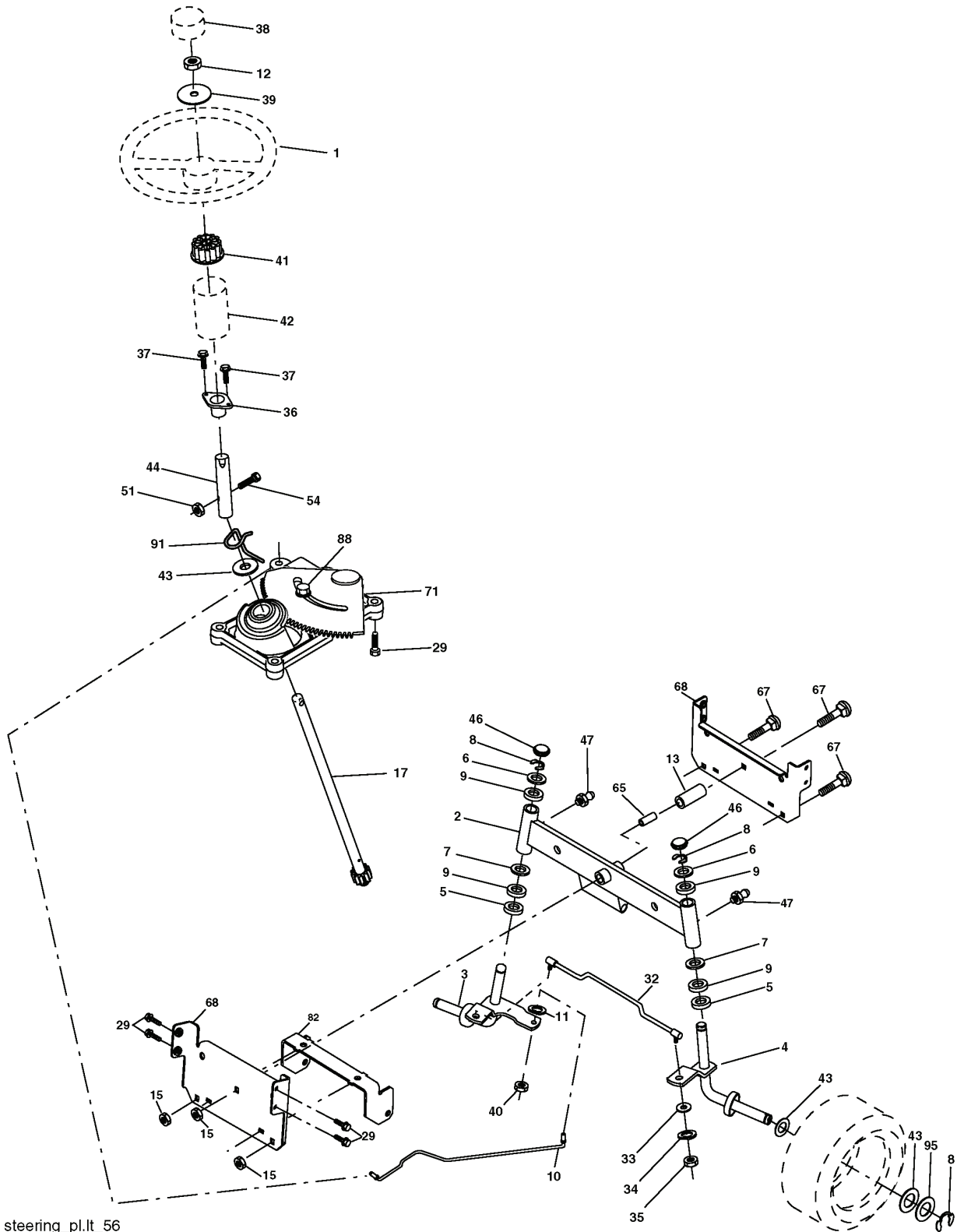
TRACTOR - MODEL NO. LTH1742 (HAU17H42B), PRODUCT NO. 954 17 02-24
ENGINE



| REF. | PART NO. | DESCRIPTION | REMARK | QTY. | KIT |
|------|-----------|------------------------|--------|------|-----|
| 1 | 532170805 | CONTROL THROT /CH FLAG | | 1 | |
| 2 | 817720408 | SCREW | | 1 | |
| 4 | 532188655 | MUFFLER | | 1 | |
| 8 | 532171877 | BOLT | | 1 | |
| 13 | 532185909 | GASKET | | 1 | |
| 14 | 532148456 | TUBE | | 1 | |
| 23 | 532169837 | HEAT SHIELD | | 1 | |
| 29 | 532137180 | SPARK ARRESTER KIT | | 1 | |
| 31 | 532185534 | TANK UNIT | | 1 | |
| 32 | 532140527 | FUEL CAP | | 1 | |
| 33 | 532123487 | HOSE CLAMP | | 1 | |
| 37 | 532137040 | HOSE | | 1 | |
| 38 | 532181654 | PLUG | | 1 | |
| 44 | 817670412 | SCREW | | 1 | |
| 45 | 817000612 | SCREW | | 1 | |
| 46 | 819091416 | WASHER | | 1 | |
| 81 | 873510400 | NUT | | 1 | |
| 105 | 817120616 | SCREW | | 1 | |
| 116 | 532184362 | NUT | | 1 | |
| 117 | 532188654 | TUBE EXHAUST | | 1 | |

REPAIR PARTS

TRACTOR - MODEL NO. LTH1742 (HAU17H42B), PRODUCT NO. 954 17 02-24
STEERING ASSEMBLY

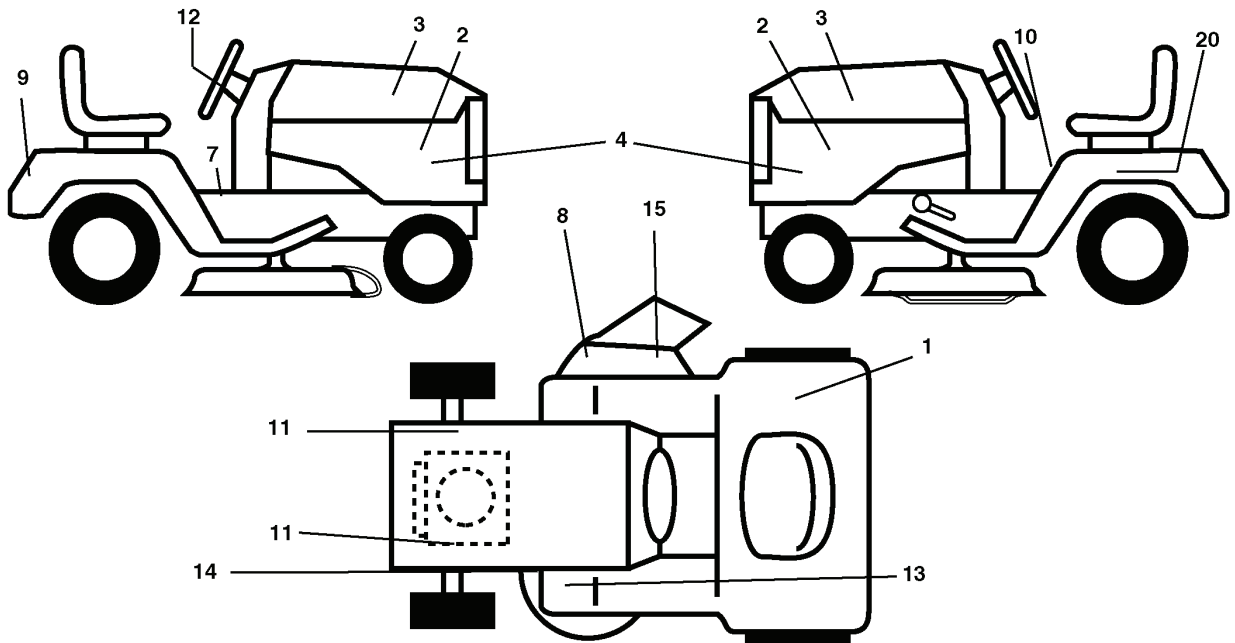


steering_pl.it_56

| REF. | PART NO. | DESCRIPTION | REMARK | QTY. | KIT |
|------|-----------|--------------------|--------|------|-----|
| 1 | 532166627 | STEERING WHEEL | | 1 | |
| 2 | 532175131 | AXLE | | 1 | |
| 3 | 532169840 | SPINDLE | | 1 | |
| 4 | 532169839 | SPINDLE | | 1 | |
| 5 | 532124931 | WASHER | | 1 | |
| 6 | 532121748 | WASHER | | 1 | |
| 7 | 819272016 | WASHER | | 1 | |
| 8 | 812000029 | RETAINER RING | | 1 | |
| 9 | 532124937 | BEARING COL. STRG. | | 1 | |
| 10 | 532175121 | ROD | | 1 | |
| 11 | 810040600 | WASHER | | 1 | |
| 12 | 873940800 | NUT | | 1 | |
| 13 | 532136518 | PIPE | | 1 | |
| 15 | 532145212 | NUT | | 1 | |
| 17 | 532180641 | SHAFT | | 1 | |
| 29 | 817000612 | SCREW | | 1 | |
| 32 | 532171888 | ROD | | 1 | |
| 33 | 819111216 | WASHER | | 1 | |
| 34 | 810040500 | WASHER | | 1 | |
| 35 | 873540500 | NUT | | 1 | |
| 36 | 532155099 | BUSHING | | 1 | |
| 37 | 532152927 | SCREW | | 1 | |
| 38 | 532166626 | INSERT | | 1 | |
| 39 | 819182411 | WASHER | | 1 | |
| 40 | 873540600 | NUT | | 1 | |
| 41 | 532159945 | ADAPTER | | 1 | |
| 42 | 532169634 | SLEEVE | | 1 | |
| 43 | 532121749 | WASHER | | 1 | |
| 44 | 532180640 | SHAFT | | 1 | |
| 46 | 532121232 | HUB CAP | | 1 | |
| 47 | 532183226 | FITTING | | 1 | |
| 51 | 873540400 | NUT | | 1 | |
| 54 | 871130420 | BOLT | | 1 | |
| 65 | 532160367 | SPACER | | 1 | |
| 67 | 872110618 | BOLT | | 1 | |
| 68 | 532169827 | SHAFT | | 1 | |
| 71 | 532175146 | STEERING GEAR | | 1 | |
| 82 | 532169835 | BRACKET | | 1 | |
| 88 | 532175118 | BOLT | | 1 | |
| 91 | 532175553 | SPRING | | 1 | |
| 95 | 532188967 | WASHER | | 1 | |

REPAIR PARTS

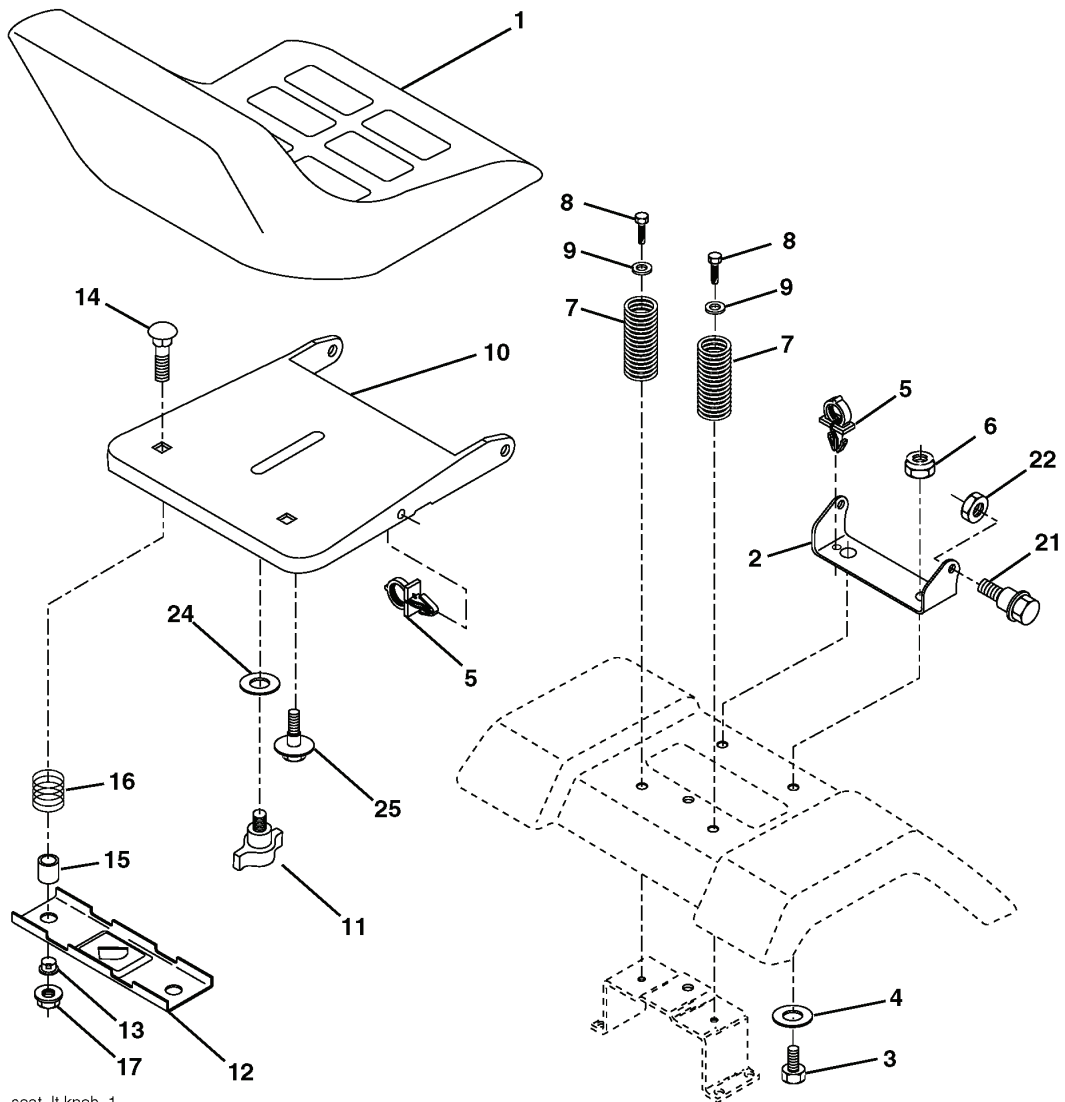
TRACTOR - MODEL NO. LTH1742 (HAU17H42B), PRODUCT NO. 954 17 02-24
DECALS



| REF. | PART NO. | DESCRIPTION | REMARK | QTY. | KIT |
|------|-----------|------------------|--------|------|-----|
| 1 | 532168869 | DECAL | | 1 | |
| 2 | 532188923 | DECAL | | 1 | |
| 3 | 532188921 | DECAL | | 1 | |
| 4 | 532191141 | DECAL | | 1 | |
| 7 | 532140837 | DECAL | | 1 | |
| 8 | 532182166 | DECAL | | 1 | |
| 9 | 532191362 | DECAL | | 1 | |
| 10 | 532145498 | DECAL | | 1 | |
| 11 | 532159736 | DECAL | | 1 | |
| 12 | 532188925 | DECAL | | 1 | |
| 13 | 532159737 | DECAL | | 1 | |
| 14 | 532160396 | DECAL | | 1 | |
| 15 | 532179128 | DECAL | | 1 | |
| 20 | 532145005 | DECAL | | 1 | |
| -- | 532162598 | DECAL | | 1 | |
| -- | 532166960 | DECAL | | 1 | |
| -- | 532188252 | PAD, FOOTREST LH | | 1 | |
| -- | 532188253 | PAD, FOOTREST RH | | 1 | |
| -- | 532138311 | DECAL | | 1 | |
| -- | 532191835 | | | 1 | |

REPAIR PARTS

TRACTOR - MODEL NO. LTH1742 (HAU17H42B), PRODUCT NO. 954 17 02-24
SEAT ASSEMBLY



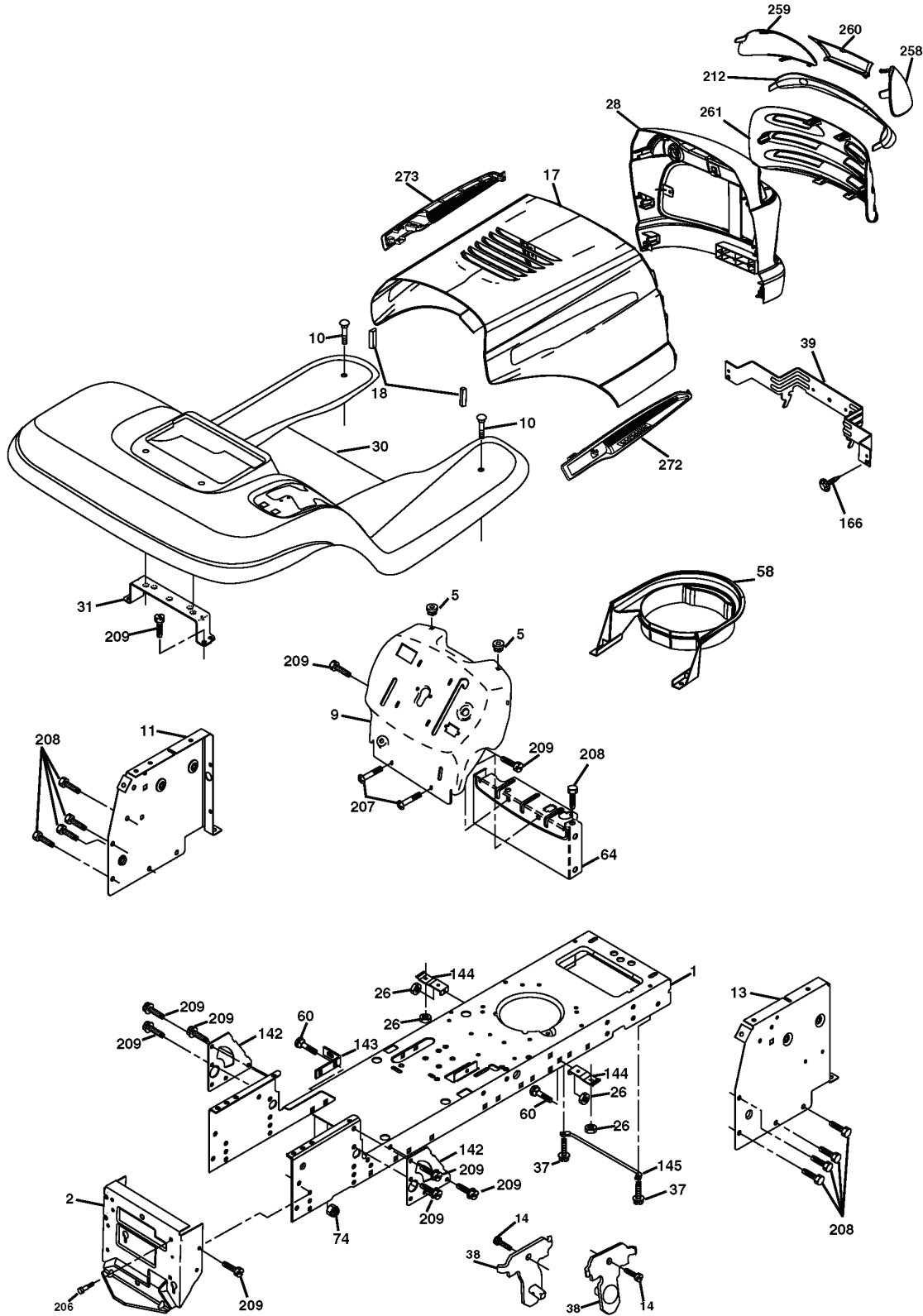
seat_lt.knob_1

| REF. | PART NO. | DESCRIPTION | REMARK | QTY. | KIT |
|------|-----------|-------------|--------|------|-----|
| 1 | 532184992 | SEAT | | 1 | |
| 2 | 532140551 | BRACKET | | 1 | |
| 3 | 871110616 | SCREW | | 1 | |
| 4 | 819131610 | WASHER | | 1 | |
| 5 | 532145006 | CLIP | | 1 | |
| 6 | 873800600 | NUT | | 1 | |
| 7 | 532124181 | SPRING | | 1 | |
| 8 | 817000616 | SCREW | | 1 | |
| 9 | 819131614 | WASHER | | 1 | |
| 10 | 532182493 | BRACKET | | 1 | |
| 11 | 532166369 | WING NUT | | 1 | |
| 12 | 532121246 | BRACKET | | 1 | |
| 13 | 532121248 | BUSHING | | 1 | |
| 14 | 872050412 | BOLT | | 1 | |
| 15 | 532134300 | SPACER | | 1 | |
| 16 | 532121250 | SPRING | | 1 | |
| 17 | 532123976 | LOCKNUT | | 1 | |
| 21 | 532171852 | BOLT | | 1 | |
| 22 | 873800500 | LOCK NUT | | 1 | |
| 24 | 819171912 | WASHER | | 1 | |
| 25 | 532127018 | BOLT | | 1 | |

| REF. | PART NO. | DESCRIPTION | REMARK | QTY. | KIT |
|------|-----------|--------------|--------|------|-----|
| 1 | 532144927 | BATTERY | | 1 | |
| 2 | 874760412 | BOLT | | 1 | |
| 8 | 532176689 | BATTERY BOX | | 1 | |
| 16 | 532176138 | MICRO SWITCH | | 1 | |
| 21 | 532175688 | HARNESS | | 1 | |
| 22 | 532004152 | BULB | | 1 | |
| 24 | 532124780 | CABLE | | 1 | |
| 25 | 532146147 | CABLE | | 1 | |
| 26 | 532175158 | FUSE | | 1 | |
| 27 | 873510400 | NUT | | 1 | |
| 28 | 532124773 | CABLE | | 1 | |
| 29 | 532121305 | SWITCH | | 1 | |
| 30 | 532175566 | SWITCH | | 1 | |
| 33 | 532140401 | KEY | | 1 | |
| 40 | 532179720 | HARNESS | | 1 | |
| 41 | 871110408 | BOLT | | 1 | |
| 42 | 532131563 | COVER | | 1 | |
| 43 | 532178861 | SOLENOID | | 1 | |
| 48 | 532140844 | ADAPTER | | 1 | |
| 52 | 532141940 | WIRE | | 1 | |
| 90 | 532180449 | COVER | | 1 | |

REPAIR PARTS

TRACTOR - MODEL NO. LTH1742 (HAU17H42B), PRODUCT NO. 954 17 02-24
CHASSIS AND ENCLOSURES



| REF. | PART NO. | DESCRIPTION | REMARK | QTY. | KIT |
|------|-----------|------------------------|--------|------|-----|
| 1 | 532174619 | FRAME | | 1 | |
| 2 | 532176554 | PLATE | | 1 | |
| 5 | 532155272 | DAMPER | | 1 | |
| 9 | 532191814 | PANEL | | 1 | |
| 10 | 872140608 | BOLT | | 1 | |
| 11 | 532174996 | DASHBOARD | | 1 | |
| 13 | 532181719 | DASHBOARD | | 1 | |
| 14 | 817490608 | SCREW | | 1 | |
| 17 | 532188893 | HOOD | | 1 | |
| 18 | 532184921 | BUMPER | | 1 | |
| 26 | 873800600 | NUT | | 1 | |
| 28 | 532183538 | GRILL | | 1 | |
| 30 | 532191817 | GUARD | | 1 | |
| 31 | 532139976 | BRACKET | | 1 | |
| 37 | 817490508 | SCREW | | 1 | |
| 38 | 532175710 | BRACKET | | 1 | |
| 39 | 532174714 | BRACKET PIVOT LASER LT | | 1 | |
| 58 | 532187154 | DUCT | | 1 | |
| 60 | 872140606 | BOLT | | 1 | |
| 64 | 532154798 | PANEL | | 1 | |
| 74 | 873680600 | NUT | | 1 | |
| 142 | 532175702 | PLATE | | 1 | |
| 143 | 532186689 | BRACKET | | 1 | |
| 144 | 532175582 | BRACKET | | 1 | |
| 145 | 532156524 | SHAFT | | 1 | |
| 166 | 532191611 | SCREW | | 1 | |
| 206 | 532170165 | BOLT | | 1 | |
| 207 | 817670508 | SCREW | | 1 | |
| 208 | 817670608 | SCREW | | 1 | |
| 209 | 817000612 | SCREW | | 1 | |
| 212 | 532183548 | INSERT | | 1 | |
| 258 | 532185213 | LENS | | 1 | |
| 259 | 532185214 | LENS | | 1 | |
| 260 | 532185429 | COVER | | 1 | |
| 261 | 532185433 | INSERT GRILLE | | 1 | |
| 272 | 532188895 | VENT HOOD LH | | 1 | |
| 273 | 532188896 | VENT HOOD RH | | 1 | |
| -- | 532005479 | PLUG | | 1 | |
| -- | 532187801 | PLUG | | 1 | |