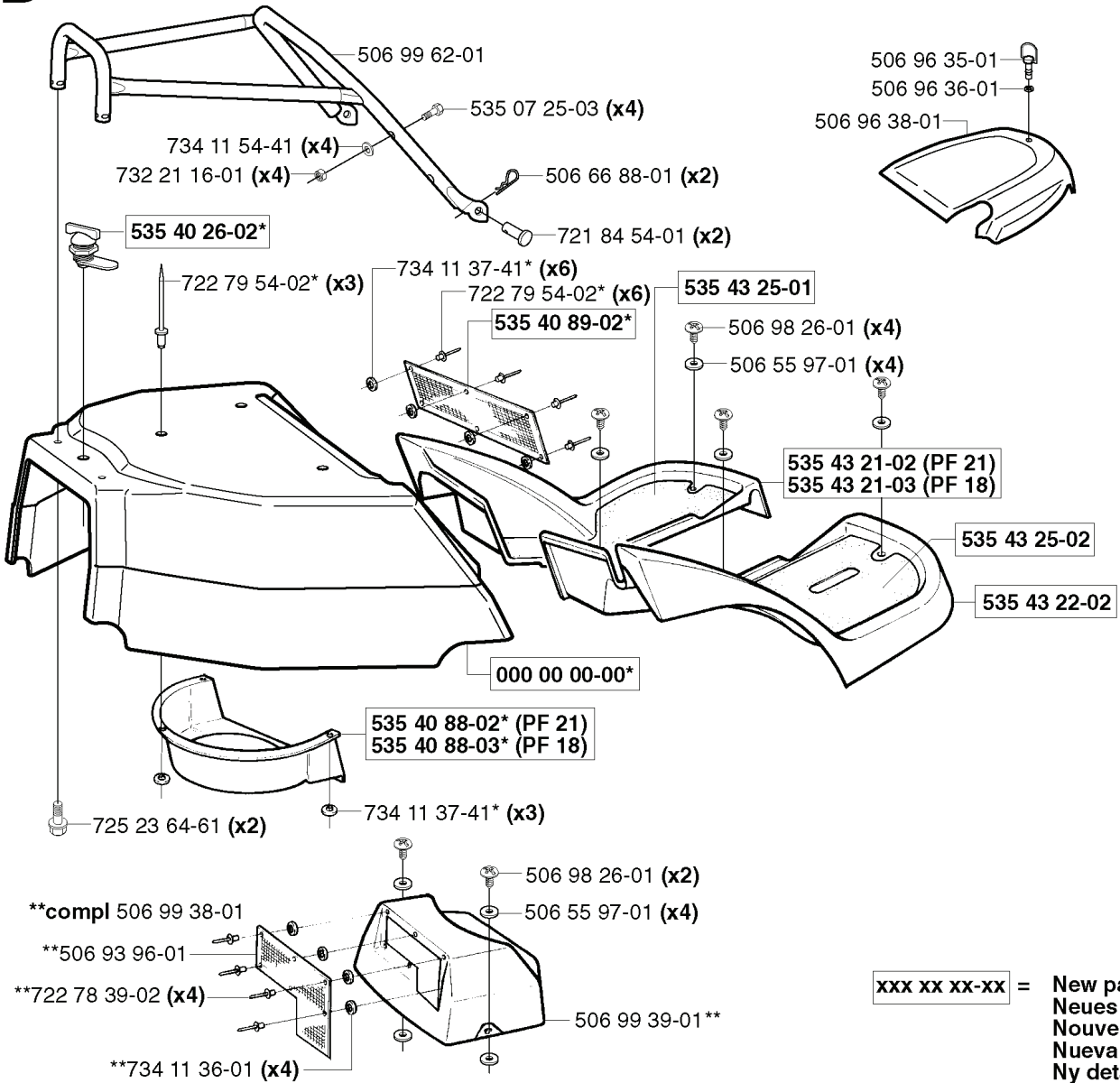


PROFLEX 18, 2003-02

SPARE PARTS LIST

B *compl 535 40 86-02



| REF. | PART NO. | DESCRIPTION | REMARK | QTY. | KIT |
|--------------|-----------|-------------------|--------|------|-----|
| 535 40 86-02 | 535408602 | MOTOR COVER | | 1 | |
| 506 99 62-01 | 506996201 | LOAD CARRIER ASSY | | 1 | |
| 734 11 54-41 | 734115441 | WASHER | | 4 | |
| 732 21 16-01 | 732211601 | LOCK NUT | | 4 | |
| 535 40 26-02 | 535402602 | LOCK | | 1 | |
| 725 23 64-61 | 725236461 | SCREW EHHFT | | 2 | |
| 506 99 38-01 | 506993801 | COVER | | 1 | |
| 506 93 96-01 | 506939601 | SCREEN | | 1 | |
| 722 78 39-02 | 722783902 | BLIND RIVET | | 4 | |
| 734 11 36-01 | 734113601 | WASHER | | 4 | |
| 506 99 39-01 | 506993901 | COVER | | 1 | |
| 506 98 26-01 | 506982601 | SCREW | | 2 | |
| 734 11 37-41 | 734113741 | WASHER | | 3 | |
| 535 40 88-03 | 535408803 | AIR CONDUCTOR | PF 18 | 1 | |
| 535 40 88-02 | 535408802 | AIR CONDUCTOR | PF 21 | 1 | |
| 000 00 00-00 | 000000000 | W/O DESCRIPTION | | 1 | |
| 535 40 89-02 | 535408902 | GRID | | 1 | |
| 722 79 54-02 | 722795402 | RIVET | | 6 | |
| 535 07 25-03 | 535072503 | SCREW IH PANM | | 4 | |
| 506 66 88-01 | 506668801 | SPRING COTTER | | 2 | |
| 721 84 54-01 | 721845401 | CLEVIS PIN | | 2 | |
| 535 43 25-01 | 535432501 | PEDISTAL MAT | | 1 | |
| 506 55 97-01 | 506559701 | WASHER | | 4 | |
| 535 43 21-02 | 535432102 | FLYGEL VÄNSTER | PF 21 | 1 | |
| 535 43 21-03 | 535432103 | FLYGEL VÄNSTER | PF 18 | 1 | |
| 535 43 25-02 | 535432502 | PEDISTAL MAT | | 1 | |
| 535 43 22-02 | 535432202 | FLYGEL HÖGER | | 1 | |
| 506 96 38-01 | 506963801 | NOSKÁPA | | 1 | |
| 506 96 36-01 | 506963601 | WASHER | | 1 | |
| 506 96 35-01 | 506963501 | VRIDTAPP | | 1 | |

J

*compl 506 91 71-02

*506 91 74-01

*506 91 56-01

*506 91 73-01



535 46 24-01

compl 535 46 23-01

722 78 29-02

535 40 92-01

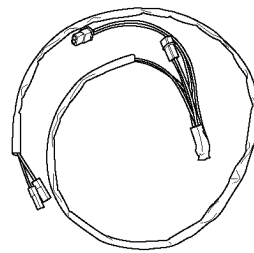
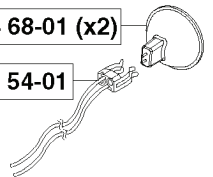
535 46 24-01

compl 535 46 23-01

compl 535 46 22-01

535 44 68-01 (x2)

535 45 54-01



535 45 54-01

506 55 08-06

506 55 08-06

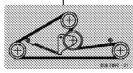
506 55 08-08

xxx xx xx-xx = New part,
Neues teil,
Nouvelle piece,
Nueva pieza,
Ny detalj

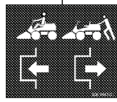
| REF. | PART NO. | DESCRIPTION | REMARK | QTY. | KIT |
|--------------|-----------|----------------------|--------|------|-----|
| 506 91 71-02 | 506917102 | IGNITION LOCK | | 1 | |
| 506 91 74-01 | 506917401 | KEY | | 1 | |
| 506 91 56-01 | 506915601 | PROTECTION | | 1 | |
| 506 91 73-01 | 506917301 | NUT | | 1 | |
| 535 46 24-01 | 535462401 | SHIELDING MEDIUM | | 1 | |
| 535 46 23-01 | 535462301 | SWITCH | | 1 | |
| 535 46 22-01 | 535462201 | 12V-UTTAG | | 1 | |
| 506 55 08-06 | 506550806 | STARTKABEL BATT-RELÄ | | 1 | |
| 506 55 08-08 | 506550808 | STARTKABEL BATT-MOTO | | 1 | |
| 535 40 92-01 | 535409201 | HOUR METER | | 1 | |
| 722 78 29-02 | 722782902 | BLIND RIVET | | 1 | |
| 535 45 54-01 | 535455401 | WIRING | | 1 | |
| 535 44 68-01 | 535446801 | LAMP | | 2 | |

U

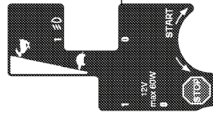
506 78 97-01



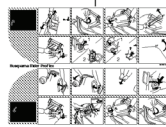
506 94 47-01



535 46 28-01



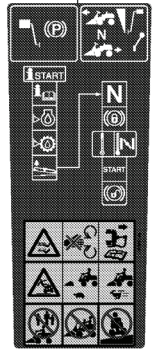
506 97 97-01



535 43 20-02



Warning
506 94 48-01



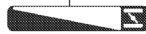
506 92 90-01



506 58 45-01



506 89 33-01



506 89 34-01



535 41 31-01



506 96 83-01



506 89 35-01



535 45 87-01



535 44 99-01



535 45 79-01



535 45 01-01 (x2)



535 45 73-02



535 45 73-01

535 45 01-01 (x2)



535 45 74-02

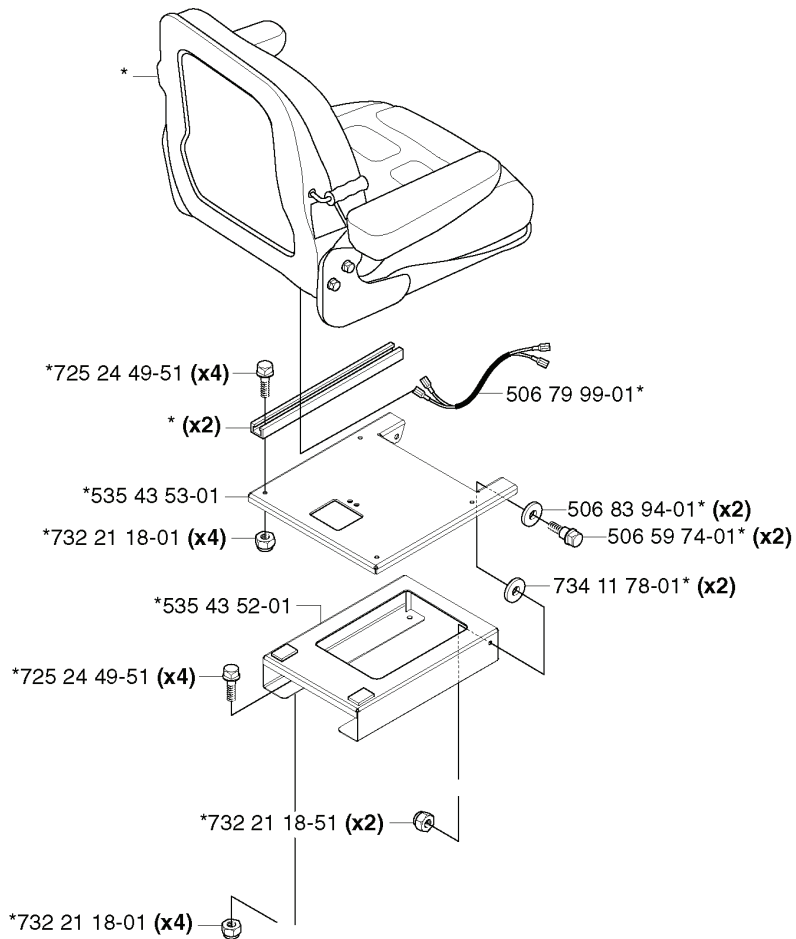


535 45 74-01

| REF. | PART NO. | DESCRIPTION | REMARK | QTY. | KIT |
|--------------|-----------|----------------------|---------|------|-----|
| 506 78 97-01 | 506789701 | LABEL | | 1 | |
| 506 92 90-01 | 506929001 | LABEL | | 1 | |
| 535 45 87-01 | 535458701 | LABEL | | 1 | |
| 535 45 73-02 | 535457302 | STRIPES MOTORKÁPA H. | | 1 | |
| 535 45 74-02 | 535457402 | STRIPES MOTORKÁPA H. | | 1 | |
| 535 41 31-01 | 535413101 | LABEL | | 1 | |
| 506 58 45-01 | 506584501 | LABEL | | 1 | |
| 506 94 47-01 | 506944701 | HYDROSTATIC LABEL | | 1 | |
| 535 46 28-01 | 535462801 | CONTROL LABEL | | 1 | |
| 506 89 33-01 | 506893301 | DECAL | | 1 | |
| 506 96 83-01 | 506968301 | DECAL | | 1 | |
| 535 44 99-01 | 535449901 | DECAL | | 1 | |
| 535 45 01-01 | 535450101 | DECAL | | 2 | |
| 535 45 74-01 | 535457401 | STRIPES MOTORKÁPA V. | | 1 | |
| 535 45 73-01 | 535457301 | STRIPES MOTORKÁPA V. | | 1 | |
| 535 45 79-01 | 535457901 | DECAL | | 1 | |
| 506 89 35-01 | 506893501 | DECAL | | 1 | |
| 506 89 34-01 | 506893401 | DECAL | | 1 | |
| 506 94 48-01 | 506944801 | LABEL | WARNING | 1 | |
| 535 43 20-02 | 535432002 | DECAL | | 1 | |
| 506 97 97-01 | 506979701 | LABEL | | 1 | |

W Accessories
 Zubehöre
 Accessoires
 Accesorios
 Tillbehör

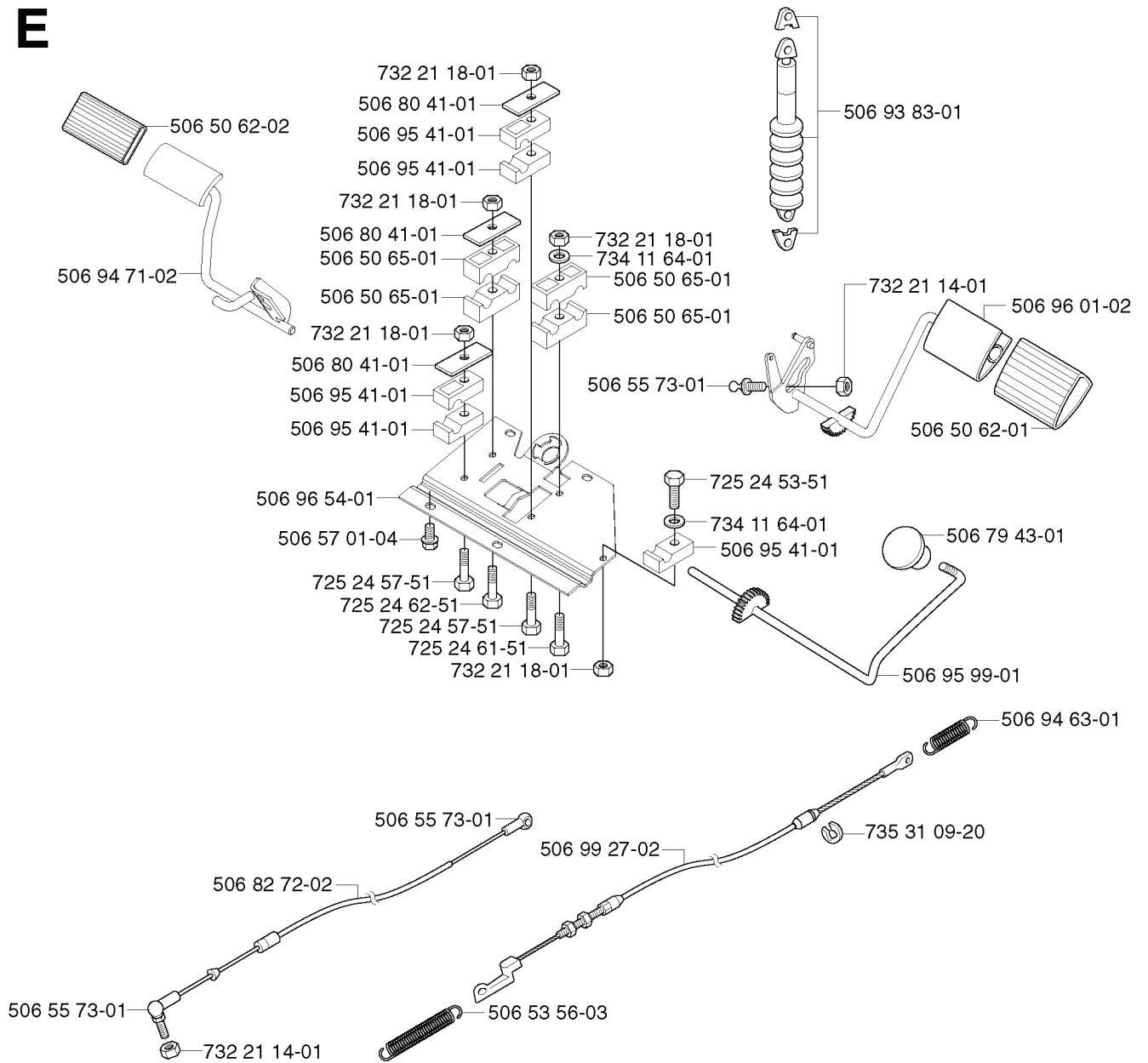
*compl 964 99 96-02



xxx xx xx-xx = New part,
 Neues teil,
 Nouvelle piece,
 Nueva pieza,
 Ny detalj

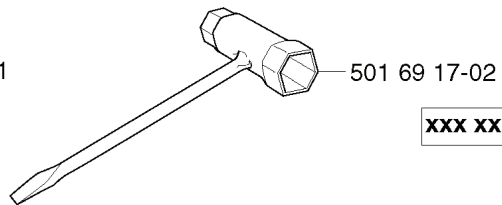
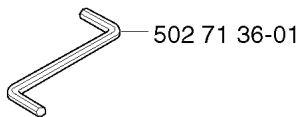
| REF. | PART NO. | DESCRIPTION | REMARK | QTY. | KIT |
|------------|-----------|------------------|--------|------|-----|
| 9649996-02 | 964999602 | KOMFORT STOL KPL | | 1 | |
| 7252449-51 | 725244951 | SCREW | | 2 | |
| 5354353-01 | 535435301 | MELLANPLATTA KPL | | 1 | |
| 7322118-01 | 732211801 | LOCK NUT | | 4 | |
| 5354352-01 | 535435201 | CONSOLE | | 1 | |
| 7322118-51 | 732211851 | LOCKNUT M8 | | 2 | |
| 7341178-01 | 734117801 | WASHER | | 2 | |
| 5065974-01 | 506597401 | SCREW EHHFM | | 2 | |
| 5068394-01 | 506839401 | SPRING WASHER | | 2 | |
| 5067999-01 | 506799901 | WIRING | | 1 | |

E



| REF. | PART NO. | DESCRIPTION | REMARK | QTY. | KIT |
|--------------|-----------|------------------------|--------|------|-----|
| 506 50 62-02 | 506506202 | PEDAL RUBBER | | 1 | |
| 506 94 71-02 | 506947102 | BRAKE PEDAL ASSY | | 1 | |
| 506 82 72-02 | 506827202 | CONTROL CABLE | | 1 | |
| 506 53 56-03 | 506535603 | DRAW SPRING | | 1 | |
| 506 99 27-02 | 506992702 | CABLE | | 1 | |
| 506 55 73-01 | 506557301 | VINKELLAS8 DIN71802 | | 1 | |
| 732 21 18-01 | 732211801 | LOCK NUT | | 1 | |
| 725 24 61-51 | 725246151 | SCREW EHHM | | 1 | |
| 725 24 57-51 | 725245751 | SCREW | | 1 | |
| 725 24 62-51 | 725246251 | SCREW EHHM | | 1 | |
| 506 57 01-04 | 506570104 | SCREW EHHFM | | 1 | |
| 506 96 54-01 | 506965401 | PEDAL PLATE | | 1 | |
| 506 50 65-01 | 506506501 | BEARING SUPPORT | | 1 | |
| 506 80 41-01 | 506804101 | PLATE | | 1 | |
| 734 11 64-01 | 734116401 | WASHER | | 1 | |
| 725 24 53-51 | 725245351 | SCREW EHHM | | 1 | |
| 506 95 41-01 | 506954101 | BEARING SUPPORT | | 1 | |
| 735 31 09-20 | 735310920 | E-CLIP | | 1 | |
| 506 94 63-01 | 506946301 | BRAKE SPRING | | 1 | |
| 506 95 99-01 | 506959901 | REVERSE PEDAL | | 1 | |
| 506 79 43-01 | 506794301 | KNOB | | 1 | |
| 506 50 62-01 | 506506201 | PEDAL RUBBER | | 1 | |
| 506 96 01-02 | 506960102 | HYDROSTATIC PEDAL ASSY | | 1 | |
| 732 21 14-01 | 732211401 | LOCK NUT | | 1 | |
| 506 93 83-01 | 506938301 | DAMPING PIECE | | 1 | |

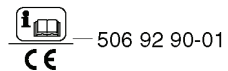
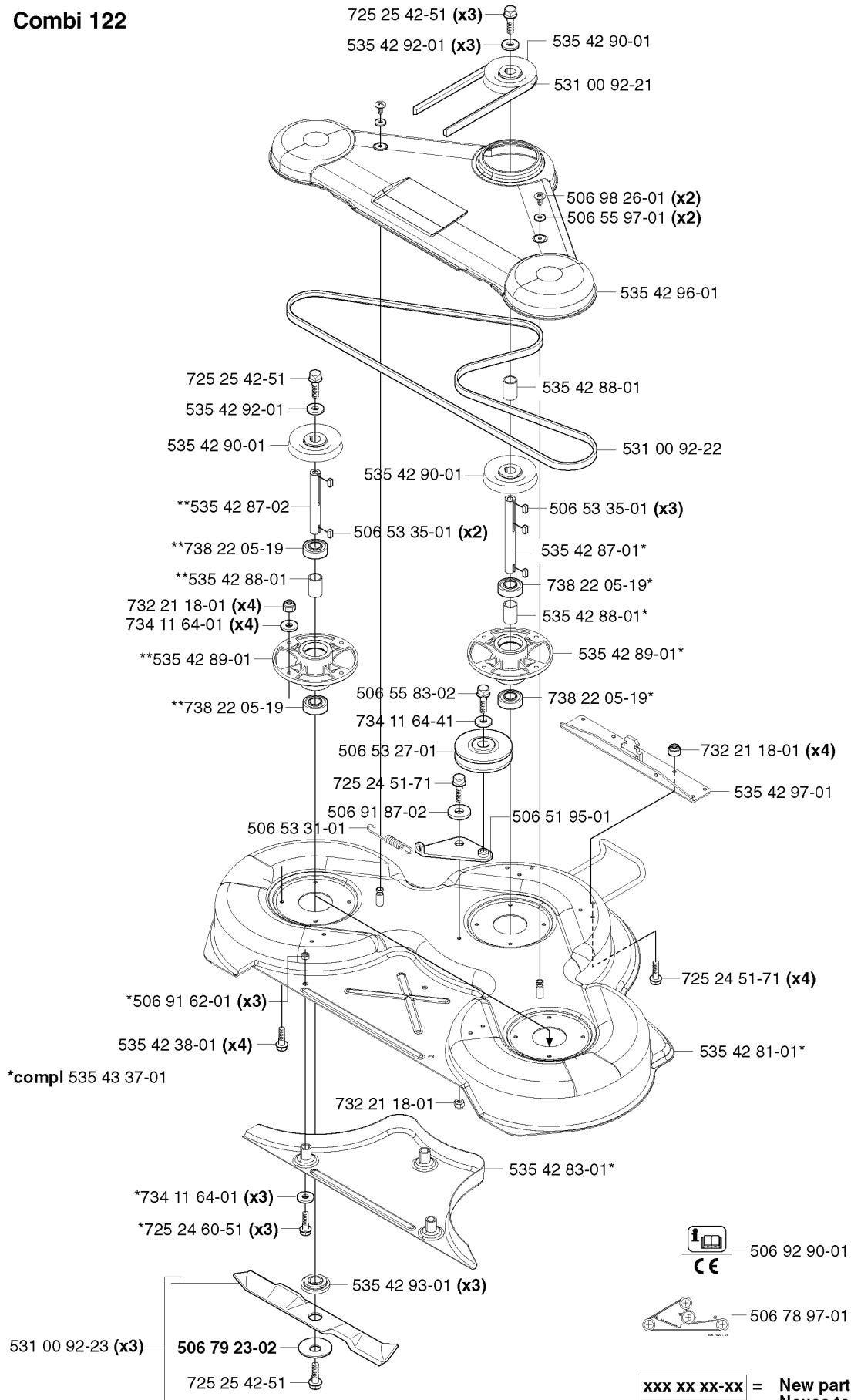
V Leverans endast som reservdel
Delivery as spare part only
Nur als Ersatzteil lieferbar
Livrabable seulement comme pièce de rechange
Solo como repuesto
Zasilà se jenom jako náhradni díl



xxx xx xx-xx = New part,
Neues teil,
Nouvelle piece,
Nueva pieza,
Ny detalj

| REF. | PART NO. | DESCRIPTION | REMARK | QTY. | KIT |
|------------|-----------|--------------------|--------|------|-----|
| 5027136-01 | 502713601 | SPANNER | | 1 | |
| 5016917-02 | 501691702 | COMBINATION WRENCH | | 1 | |

T Combi 122

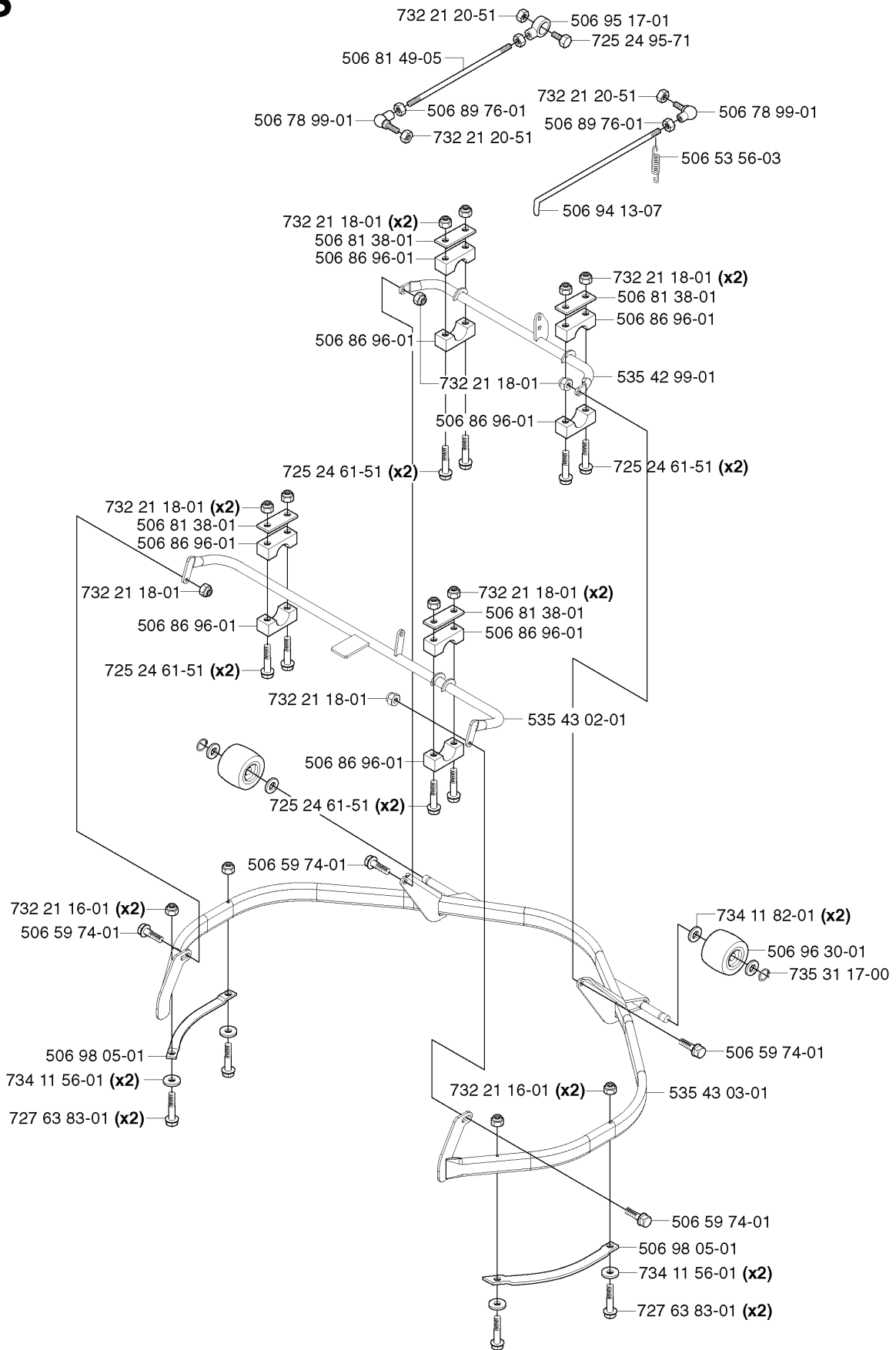


xxx xx xx-xx = New part,
 Neues teil,
 Nouvelle piece,
 Nueva pieza,
 Ny detalj

*compl 535 42 86-01 Mitten. Centre. Centre. Zentrum. Keski.
 **compl 535 42 86-02 (x2) Yttre. Outer. Exterior. Äusser. Ulko.

| REF. | PART NO. | DESCRIPTION | REMARK | QTY. | KIT |
|--------------|-----------|----------------------|---------|------|-----|
| 535 42 92-01 | 535429201 | WASHER | | 1 | |
| 506 53 35-01 | 506533501 | PARALLEL KEY | | 2 | |
| 535 42 87-02 | 535428702 | SHAFT | | 1 | |
| 535 42 88-01 | 535428801 | SPACER | | 1 | |
| 732 21 18-01 | 732211801 | LOCK NUT | | 4 | |
| 535 42 89-01 | 535428901 | BEARING HOUSING | | 1 | |
| 506 55 83-02 | 506558302 | SCREW EHHFT | | 1 | |
| 734 11 64-41 | 734116441 | WASHER | | 1 | |
| 506 53 27-01 | 506532701 | PULLEY | | 1 | |
| 725 24 51-71 | 725245171 | SCREW EHHM | | 1 | |
| 506 91 87-02 | 506918702 | WASHER | | 1 | |
| 506 53 31-01 | 506533101 | SPRING | | 1 | |
| 506 91 62-01 | 506916201 | NUT | | 3 | |
| 535 42 38-01 | 535423801 | SCREW RSQM | | 4 | |
| 535 43 37-01 | 535433701 | CUTTING COVER WITH P | | 1 | |
| 734 11 64-01 | 734116401 | WASHER | | 3 | |
| 725 24 60-51 | 725246051 | SCREW EHHM | | 3 | |
| 531 00 92-23 | 531009223 | BLADE | | 3 | |
| 506 79 23-02 | 506792302 | KNIFE PLATE | | 1 | |
| 725 25 42-51 | 725254251 | SCREW EHHM | | 1 | |
| 535 42 86-01 | 535428601 | BLADE HOUSING ASSY | MITTEN. | 1 | |
| 535 42 86-02 | 535428602 | BLADE HOUSING ASSY | YTTRE. | 2 | |
| 535 42 93-01 | 535429301 | ADAPTER | | 3 | |
| 506 78 97-01 | 506789701 | LABEL | | 1 | |
| 506 92 90-01 | 506929001 | LABEL | | 1 | |
| 535 42 83-01 | 535428301 | PLUG ASSY | | 1 | |
| 535 42 81-01 | 535428101 | DECK SHELL ASSY | | 1 | |
| 506 51 95-01 | 506519501 | SPÄNNARM KPL. | | 1 | |
| 535 42 97-01 | 535429701 | BRACKET | | 1 | |
| 738 22 05-19 | 738220519 | BALL BEARING | | 1 | |
| 535 42 87-01 | 535428701 | SHAFT | | 1 | |
| 531 00 92-22 | 531009222 | BELT | | 1 | |
| 535 42 96-01 | 535429601 | BELT COVER | | 1 | |
| 506 55 97-01 | 506559701 | WASHER | | 2 | |
| 506 98 26-01 | 506982601 | SCREW | | 2 | |
| 531 00 92-21 | 531009221 | BELT | | 1 | |
| 535 42 90-01 | 535429001 | PULLEY | | 1 | |

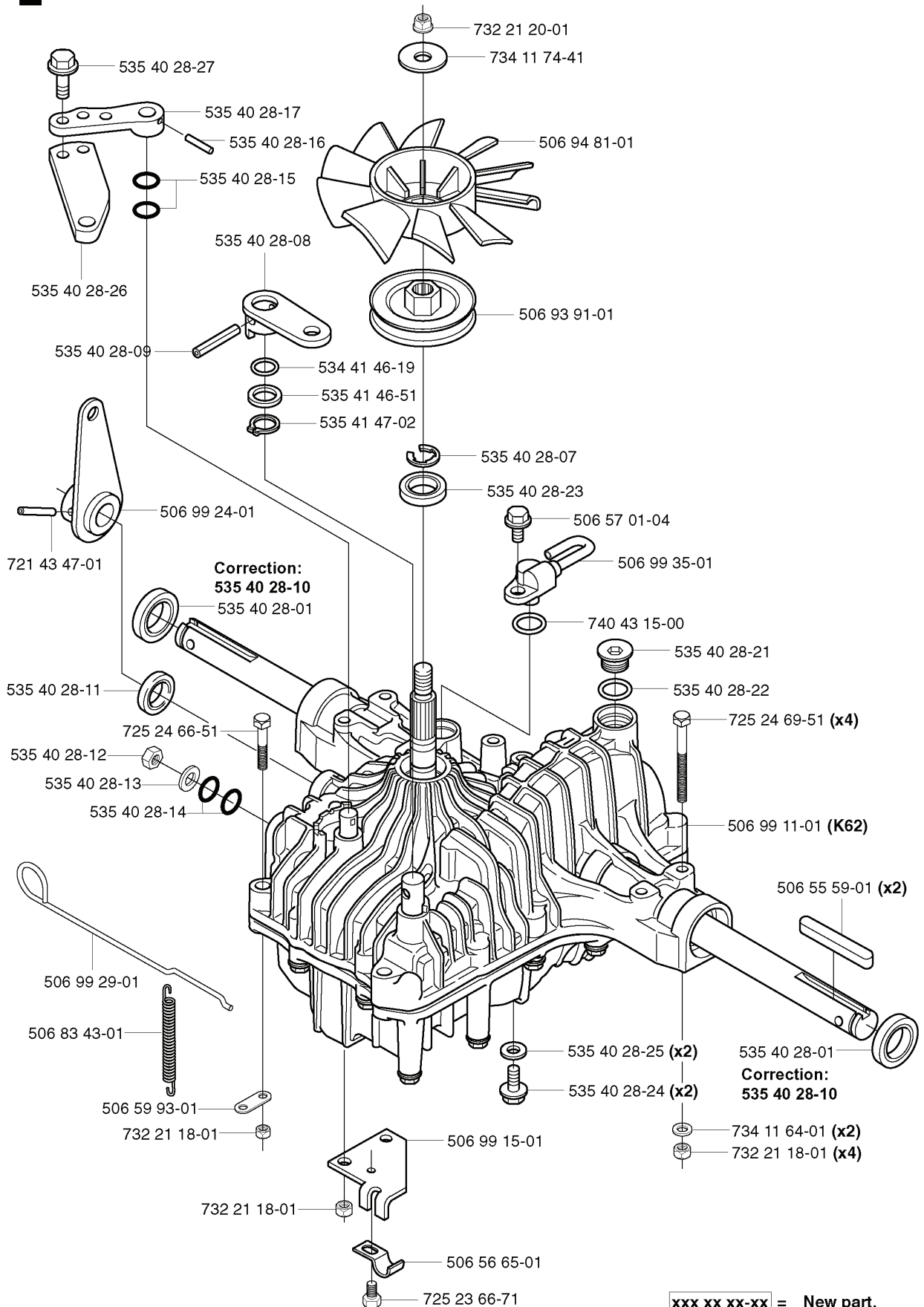
S Combi 122



**xxx xx xx-xx = New part,
Neues teil,
Nouvelle piece,
Nueva pieza,
Ny detalj**

| REF. | PART NO. | DESCRIPTION | REMARK | QTY. | KIT |
|--------------|-----------|----------------------|--------|------|-----|
| 506 81 49-05 | 506814905 | ROD | | 1 | |
| 506 89 76-01 | 506897601 | NUT | | 1 | |
| 732 21 18-01 | 732211801 | LOCK NUT | | 2 | |
| 725 24 61-51 | 725246151 | SCREW EHHM | | 2 | |
| 506 98 05-01 | 506980501 | SIDOSKENA KPL. | | 1 | |
| 727 63 83-01 | 727638301 | SCREW RSQM | | 2 | |
| 734 11 56-01 | 734115601 | WASHER | | 2 | |
| 506 59 74-01 | 506597401 | SCREW EHHFM | | 1 | |
| 732 21 16-01 | 732211601 | LOCK NUT | | 2 | |
| 535 43 03-01 | 535430301 | PROTECTIVE TUBING | | 1 | |
| 735 31 17-00 | 735311700 | CIRCLIP | | 1 | |
| 506 96 30-01 | 506963001 | WHEEL ASSY | | 1 | |
| 734 11 82-01 | 734118201 | WASHER | | 2 | |
| 535 43 02-01 | 535430201 | REAR CROSS TUBES ASS | | 1 | |
| 535 42 99-01 | 535429901 | FRÅMRE TVÄRRÖR KPL. | | 1 | |
| 506 86 96-01 | 506869601 | BEARING | | 1 | |
| 506 81 38-01 | 506813801 | REINFORCING PLATE | | 1 | |
| 506 94 13-07 | 506941307 | CONNECTION ROD | | 1 | |
| 506 53 56-03 | 506535603 | DRAW SPRING | | 1 | |
| 506 78 99-01 | 506789901 | VINKELLÄNK DIN 71802 | | 1 | |
| 732 21 20-51 | 732212051 | NUT | | 1 | |
| 725 24 95-71 | 725249571 | SCREW EHHM | | 1 | |
| 506 95 17-01 | 506951701 | ROD END | | 1 | |

L K62 ProFlex 18

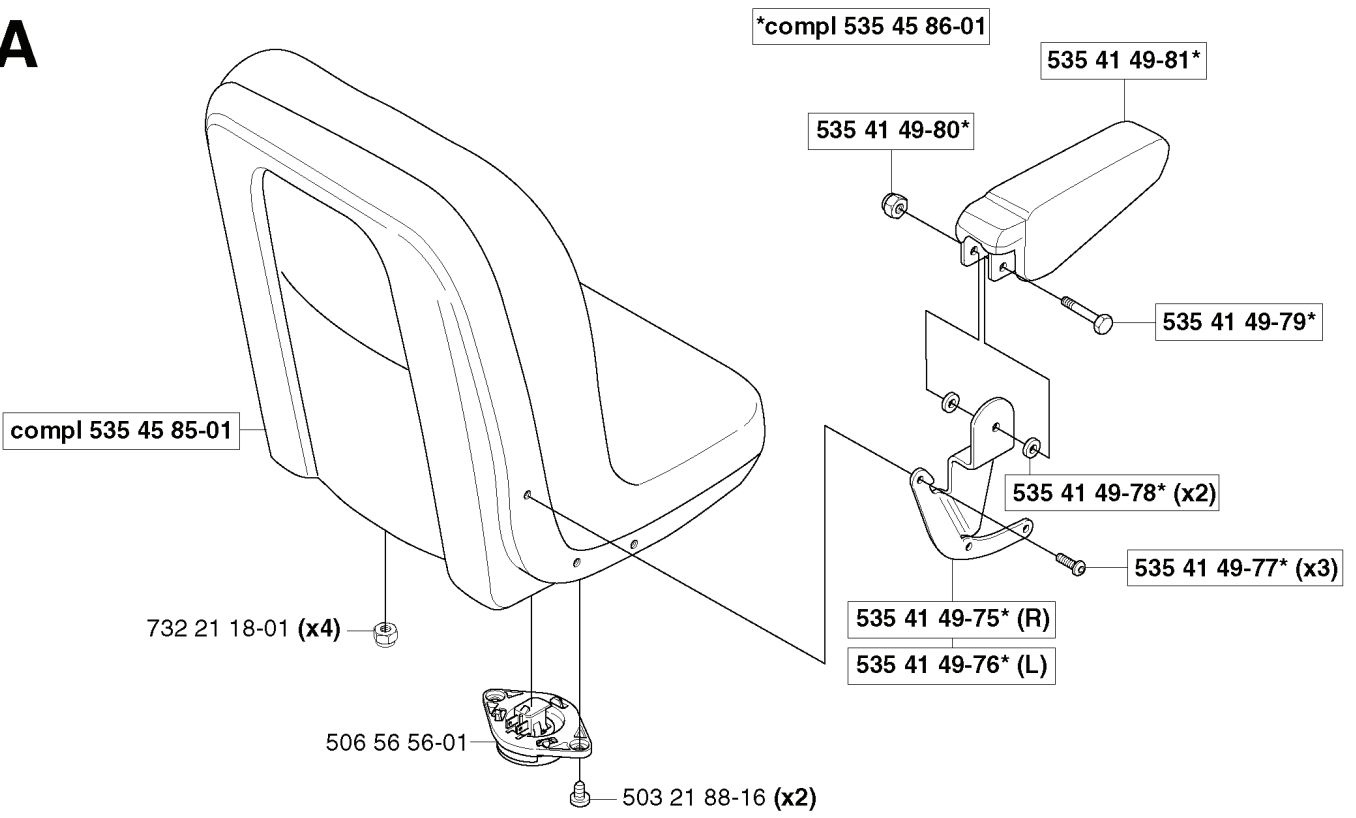


xxx xx xx-xx = New part,
Neues teil,
Nouvelle piece,
Nueva pieza,
Ny detalj

| REF. | PART NO. | DESCRIPTION | REMARK | QTY. | KIT |
|--------------|-----------|---------------------|-------------|------|-----|
| 535 40 28-27 | 535402827 | BOLT | | 1 | |
| 535 40 28-17 | 535402817 | LEVER | | 1 | |
| 535 40 28-16 | 535402816 | PIN RETAINING SCREW | | 1 | |
| 535 40 28-15 | 535402815 | O-RING | | 1 | |
| 535 40 28-08 | 535402808 | BRAKE LEVER | | 1 | |
| 535 40 28-26 | 535402826 | LEVER | | 1 | |
| 535 40 28-09 | 535402809 | PIN RETAINING SCREW | | 1 | |
| 506 99 24-01 | 506992401 | LEVER | | 1 | |
| 535 40 28-01 | 535402801 | SPRING | | 1 | |
| 721 43 47-01 | 721434701 | SPRING PIN | | 1 | |
| 535 40 28-11 | 535402811 | SEALING | | 1 | |
| 725 24 66-51 | 725246651 | SCREW | | 1 | |
| 535 40 28-12 | 535402812 | NUT | | 1 | |
| 535 40 28-13 | 535402813 | WASHER | | 1 | |
| 535 40 28-14 | 535402814 | O-RING | | 1 | |
| 506 99 29-01 | 506992901 | FRIKOPPLINGSSTÅNG | | 1 | |
| 506 83 43-01 | 506834301 | SPRING | | 1 | |
| 506 59 93-01 | 506599301 | LINK | | 1 | |
| 725 23 66-71 | 725236671 | SCREW EHHM | | 1 | |
| 506 56 65-01 | 506566501 | CLIP | | 1 | |
| 506 99 15-01 | 506991501 | BRACKET | | 1 | |
| 535 40 28-24 | 535402824 | BOLT | | 2 | |
| 535 40 28-25 | 535402825 | WASHER | | 2 | |
| 732 21 18-01 | 732211801 | LOCK NUT | | 4 | |
| 734 11 64-01 | 734116401 | WASHER | | 2 | |
| 535 40 28-10 | 535402810 | SEALING | CORRECTION: | 1 | |
| 506 55 59-01 | 506555901 | WEDGE | | 2 | |
| 506 99 11-01 | 506991101 | TRANSMISSION | K62 | 1 | |
| 725 24 69-51 | 725246951 | SCREW EHHM | | 4 | |
| 535 40 28-22 | 535402822 | O-RING | | 1 | |
| 535 40 28-21 | 535402821 | COVER | | 1 | |
| 740 43 15-00 | 740431500 | O-RING | | 1 | |
| 506 99 35-01 | 506993501 | HOSE CLAMP | | 1 | |
| 506 57 01-04 | 506570104 | SCREW EHHFM | | 1 | |
| 535 40 28-23 | 535402823 | SEALING | | 1 | |
| 535 40 28-07 | 535402807 | CLIP | | 1 | |
| 535 41 47-02 | 535414702 | RETAINER RING | | 1 | |
| 535 41 46-51 | 535414651 | WASHER | | 1 | |
| 534 41 46-19 | 534414619 | O-RING | | 1 | |
| 506 93 91-01 | 506939101 | PULLEY | | 1 | |
| 506 94 81-01 | 506948101 | FAN | | 1 | |

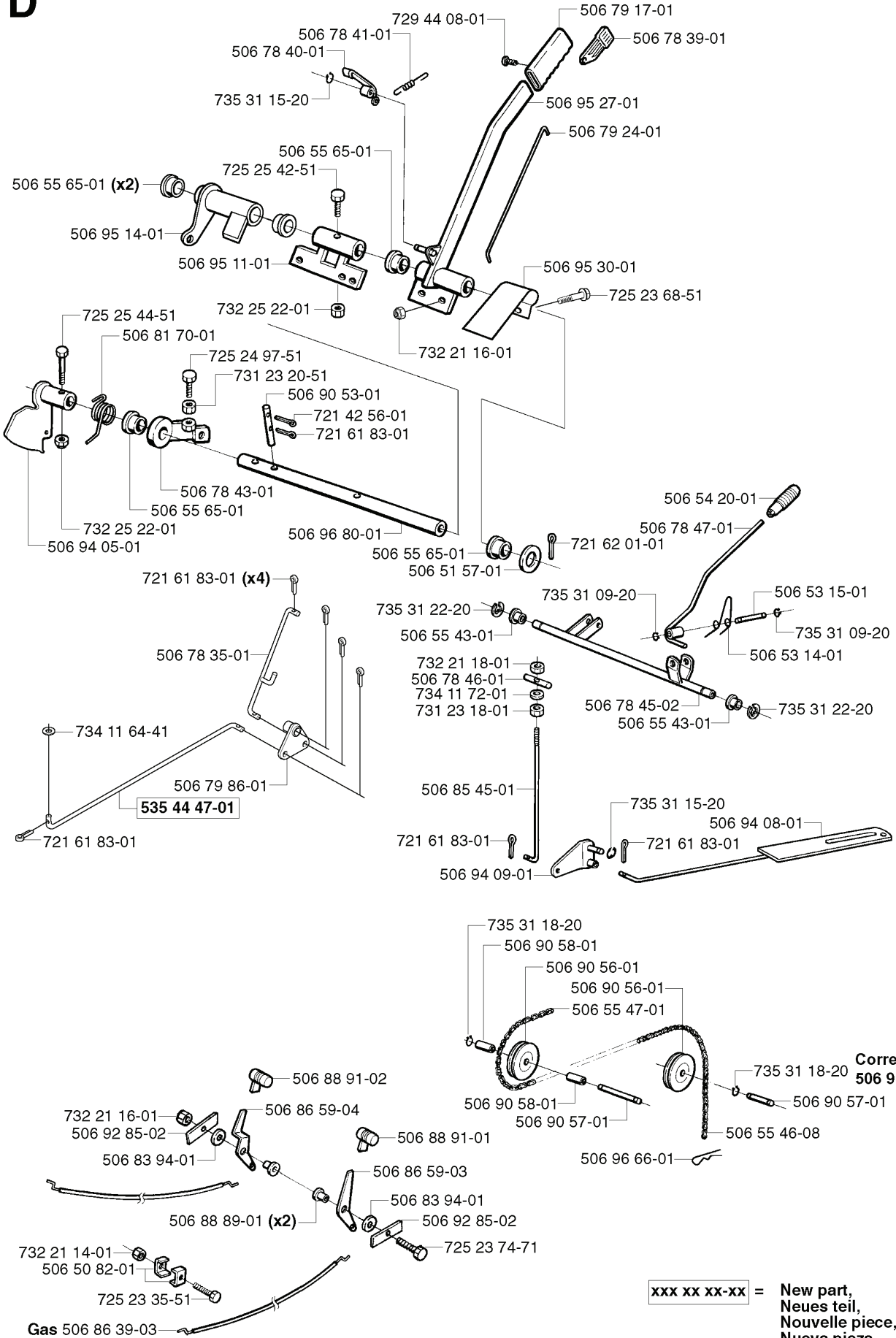
| REF. | PART NO. | DESCRIPTION | REMARK | QTY. | KIT |
|-------------|-----------|-------------|--------|------|-----|
| 734 1174-41 | 734117441 | WASHER | | 1 | |
| 732 2120-01 | 732212001 | LOCK NUT | | 1 | |

A



| REF. | PART NO. | DESCRIPTION | REMARK | QTY. | KIT |
|--------------|-----------|------------------|--------|------|-----|
| 535 45 85-01 | 535458501 | SEAT ASSY | | 1 | |
| 732 21 18-01 | 732211801 | LOCK NUT | | 4 | |
| 506 56 56-01 | 506565601 | SÄTESBRYTARE KPL | | 1 | |
| 503 21 88-16 | 503218816 | SCREW IHSCT | | 2 | |
| 535 41 49-76 | 535414976 | BRACKET | L | 1 | |
| 535 41 49-75 | 535414975 | BRACKET | R | 1 | |
| 535 41 49-77 | 535414977 | SCREW | | 3 | |
| 535 41 49-78 | 535414978 | SPACER | | 2 | |
| 535 41 49-79 | 535414979 | SCREW | | 1 | |
| 535 41 49-80 | 535414980 | NUT | | 1 | |
| 535 41 49-81 | 535414981 | ARMSTÖD | | 1 | |
| 535 45 86-01 | 535458601 | ARM REST KIT | | 1 | |

D



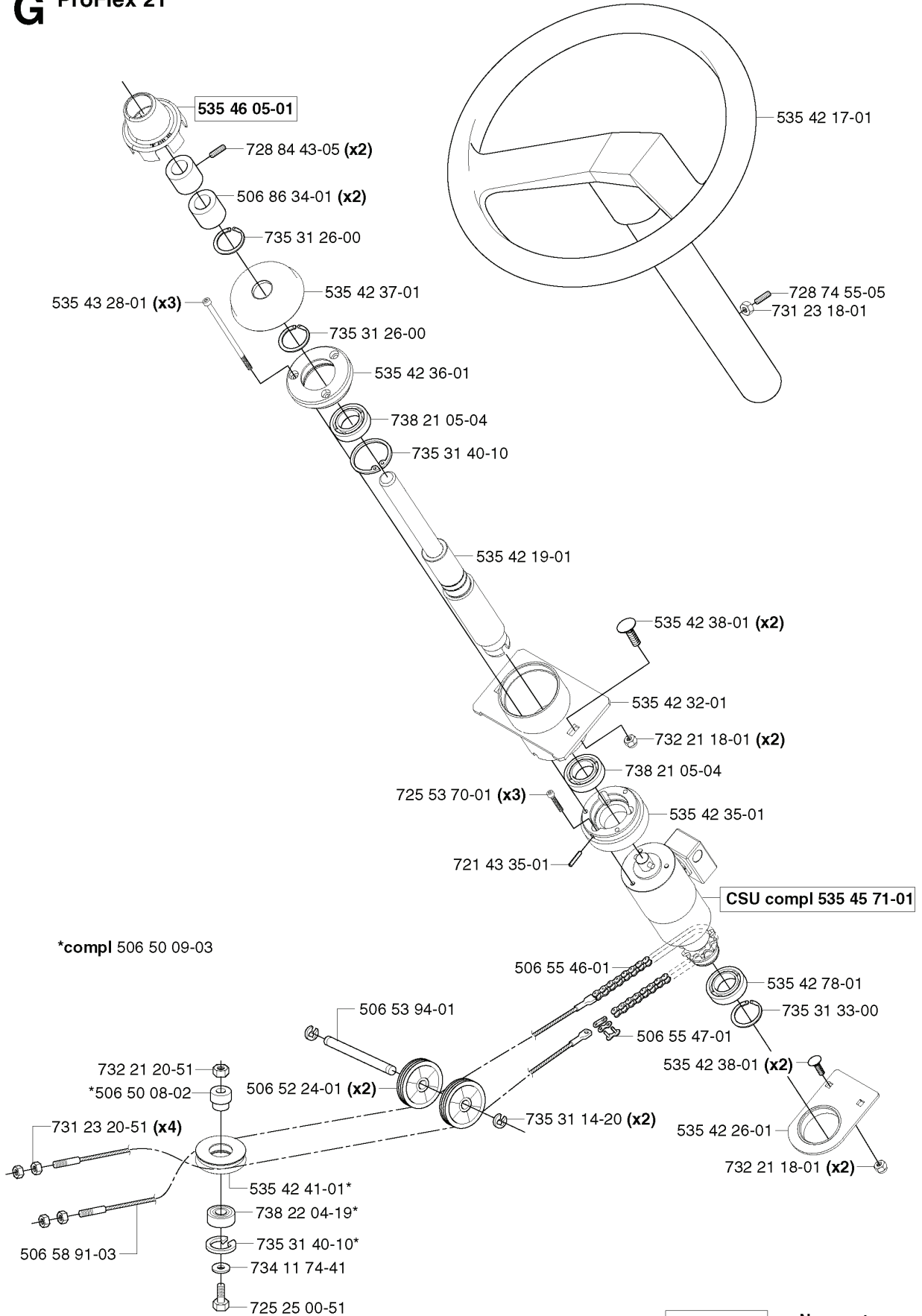
Correction:
506 90 57-02

xxx xx xx-xx = New part,
Neues teil,
Nouvelle piece,
Nueva pieza,
Ny detalj

| REF. | PART NO. | DESCRIPTION | REMARK | QTY. | KIT |
|--------------|-----------|---------------------|--------|------|-----|
| 729 44 08-01 | 729440801 | SCREW SLCSRT | | 1 | |
| 506 78 41-01 | 506784101 | SPRING | | 1 | |
| 506 78 40-01 | 506784001 | HITCH | | 1 | |
| 506 55 65-01 | 506556501 | BEARING | | 1 | |
| 725 25 42-51 | 725254251 | SCREW EHHM | | 1 | |
| 506 95 14-01 | 506951401 | ACTUATOR | | 1 | |
| 506 95 11-01 | 506951101 | DRIVER ASSY | | 1 | |
| 725 25 44-51 | 725254451 | SCREW EHHM | | 1 | |
| 506 81 70-01 | 506817001 | SPRING | | 1 | |
| 725 24 97-51 | 725249751 | SCREW | | 1 | |
| 731 23 20-51 | 731232051 | HEXAGON NUT | | 1 | |
| 506 90 53-01 | 506905301 | PEN | | 1 | |
| 721 42 56-01 | 721425601 | SPRING PIN | | 1 | |
| 506 78 43-01 | 506784301 | LINK ASSY | | 1 | |
| 732 25 22-01 | 732252201 | HEXAGON LOCKING NUT | | 1 | |
| 506 94 05-01 | 506940501 | LIFTING ARM | | 1 | |
| 506 78 35-01 | 506783501 | CONNECTION ROD | | 1 | |
| 734 11 64-41 | 734116441 | WASHER | | 1 | |
| 506 79 86-01 | 506798601 | LÄNK KOPPLING KPL. | | 1 | |
| 535 44 47-01 | 535444701 | CLUTCH ROD REAR | | 1 | |
| 732 21 16-01 | 732211601 | LOCK NUT | | 1 | |
| 506 92 85-02 | 506928502 | LOCKWASHER | | 1 | |
| 506 83 94-01 | 506839401 | SPRING WASHER | | 1 | |
| 732 21 14-01 | 732211401 | LOCK NUT | | 1 | |
| 506 50 82-01 | 506508201 | CLIP | | 1 | |
| 725 23 35-51 | 725233551 | SCREW EHHM | | 1 | |
| 506 86 39-03 | 506863903 | THROTTLE CABLE ASSY | GAS | 1 | |
| 506 88 89-01 | 506888901 | BUSHING | | 2 | |
| 506 86 59-04 | 506865904 | CONTROL | | 1 | |
| 506 88 91-02 | 506889102 | KNOB | | 1 | |
| 506 88 91-01 | 506889101 | KNOB | | 1 | |
| 506 86 59-03 | 506865903 | CONTROL | | 1 | |
| 725 23 74-71 | 725237471 | SCREW EHHM | | 1 | |
| 506 96 66-01 | 506966601 | HAIR PIN COTTER | | 1 | |
| 506 90 57-01 | 506905701 | SHAFT | | 1 | |
| 506 90 58-01 | 506905801 | TUBE SLEEVE | | 1 | |
| 506 55 47-01 | 506554701 | LINKAGE | | 1 | |
| 506 90 56-01 | 506905601 | OFFSET PULLEY | | 1 | |
| 735 31 18-20 | 735311820 | E-CLIP | | 1 | |
| 506 94 09-01 | 506940901 | LÄNKPLÅT KPL. | | 1 | |
| 721 61 83-01 | 721618301 | SPLIT PIN | | 1 | |

| REF. | PART NO. | DESCRIPTION | REMARK | QTY. | KIT |
|--------------|-----------|-----------------|-------------|------|-----|
| 506 85 45-01 | 506854501 | HEIGHT ROD | | 1 | |
| 731 23 18-01 | 731231801 | HEXAGON NUT | | 1 | |
| 734 11 72-01 | 734117201 | WASHER | | 1 | |
| 506 78 46-01 | 506784601 | PEN | | 1 | |
| 732 21 18-01 | 732211801 | LOCK NUT | | 1 | |
| 506 51 57-01 | 506515701 | WASHER | | 1 | |
| 506 96 80-01 | 506968001 | SHAFT | | 1 | |
| 721 62 01-01 | 721620101 | SPLIT PIN | | 1 | |
| 506 78 45-02 | 506784502 | CONTROL LEVER | | 1 | |
| 506 55 43-01 | 506554301 | BEARING | | 1 | |
| 735 31 15-20 | 735311520 | E-CLIP | | 1 | |
| 506 55 46-08 | 506554608 | CHAIN | | 1 | |
| 506 90 57-02 | 506905702 | SHAFT | CORRECTION: | 1 | |
| 506 94 08-01 | 506940801 | CONNECTOR | | 1 | |
| 735 31 22-20 | 735312220 | E-CLIP | | 1 | |
| 506 53 14-01 | 506531401 | SPRING | | 1 | |
| 735 31 09-20 | 735310920 | E-CLIP | | 1 | |
| 506 53 15-01 | 506531501 | SHAFT | | 1 | |
| 506 78 47-01 | 506784701 | REGLERSPAK KPL | | 1 | |
| 506 54 20-01 | 506542001 | HANDLE | | 1 | |
| 725 23 68-51 | 725236851 | SCREW | | 1 | |
| 506 95 30-01 | 506953001 | PLATE SPRING | | 1 | |
| 506 79 24-01 | 506792401 | THREAD | | 1 | |
| 506 95 27-01 | 506952701 | LIFT LEVER CMPL | | 1 | |
| 506 78 39-01 | 506783901 | BUTTON | | 1 | |
| 506 79 17-01 | 506791701 | HANDLE | | 1 | |

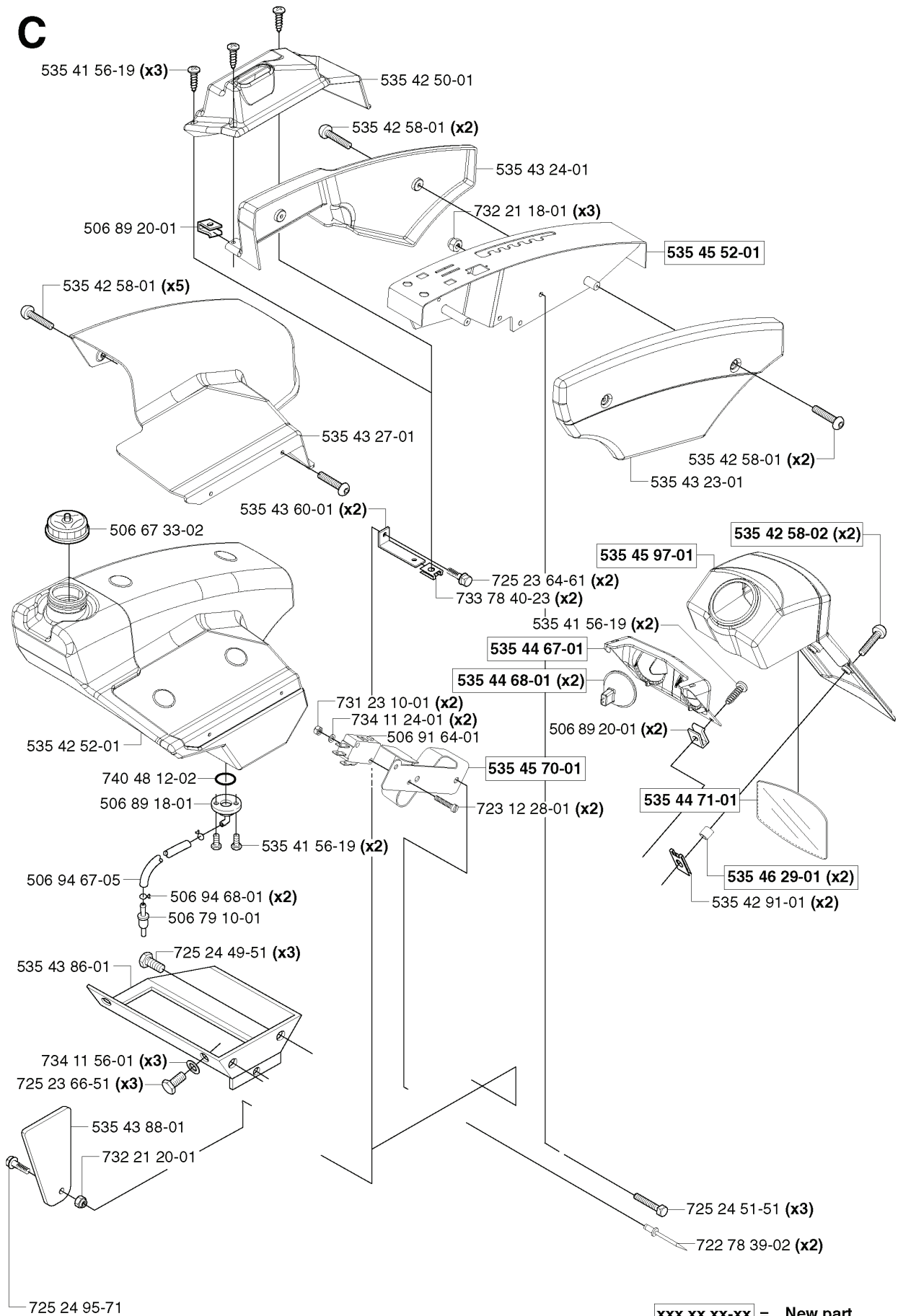
G ProFlex 21



**xxx xx xx-xx = New part,
Neues teil,
Nouvelle piece,
Nueva pieza,
Ny detalj**

| REF. | PART NO. | DESCRIPTION | REMARK | QTY. | KIT |
|--------------|-----------|------------------|--------|------|-----|
| 535 46 05-01 | 535460501 | SEALING | | 1 | |
| 728 84 43-05 | 728844305 | SCREW IHSETM | | 2 | |
| 506 86 34-01 | 506863401 | DRIVER | | 2 | |
| 535 42 37-01 | 535423701 | BELLOWS | | 1 | |
| 735 31 26-00 | 735312600 | CIRCLIP | | 1 | |
| 535 42 36-01 | 535423601 | BEARING HOUSING | | 1 | |
| 738 21 05-04 | 738210504 | BALL BEARING | | 1 | |
| 735 31 40-10 | 735314010 | CIRCLIP | | 1 | |
| 535 43 28-01 | 535432801 | SCREW IHSCM | | 3 | |
| 535 42 19-01 | 535421901 | STEERING ROD | | 1 | |
| 725 53 70-01 | 725537001 | SCREW IHSCM | | 3 | |
| 721 43 35-01 | 721433501 | SPRING PIN | | 1 | |
| 506 50 09-03 | 506500903 | BARRING WHEEL | | 1 | |
| 732 21 20-51 | 732212051 | NUT | | 1 | |
| 506 50 08-02 | 506500802 | BUSHING | | 1 | |
| 731 23 20-51 | 731232051 | HEXAGON NUT | | 4 | |
| 506 58 91-03 | 506589103 | WIRE ASSY | | 1 | |
| 725 25 00-51 | 725250051 | SCREW EHHM | | 1 | |
| 734 11 74-41 | 734117441 | WASHER | | 1 | |
| 738 22 04-19 | 738220419 | BALL BEARING | | 1 | |
| 535 42 41-01 | 535424101 | BARRING WHEEL | | 1 | |
| 506 52 24-01 | 506522401 | STARTER PULLEY | | 2 | |
| 506 53 94-01 | 506539401 | SHAFT | | 1 | |
| 506 55 46-01 | 506554601 | CHAIN | | 1 | |
| 735 31 14-20 | 735311420 | E-CLIP | | 2 | |
| 732 21 18-01 | 732211801 | LOCK NUT | | 2 | |
| 535 42 26-01 | 535422601 | BRACKET | | 1 | |
| 535 42 38-01 | 535423801 | SCREW RSQM | | 2 | |
| 506 55 47-01 | 506554701 | LINKAGE | | 1 | |
| 735 31 33-00 | 735313300 | CIRCLIP | | 1 | |
| 535 42 78-01 | 535427801 | BALL BEARING | | 1 | |
| 535 45 71-01 | 535457101 | COMFORT STEERING | CSU | 1 | |
| 535 42 35-01 | 535423501 | BEARING HOUSING | | 1 | |
| 535 42 32-01 | 535423201 | SUPPORT | | 1 | |
| 731 23 18-01 | 731231801 | HEXAGON NUT | | 1 | |
| 728 74 55-05 | 728745505 | SCREW IHSETM | | 1 | |
| 535 42 17-01 | 535421701 | STEERING WHEEL | | 1 | |

C

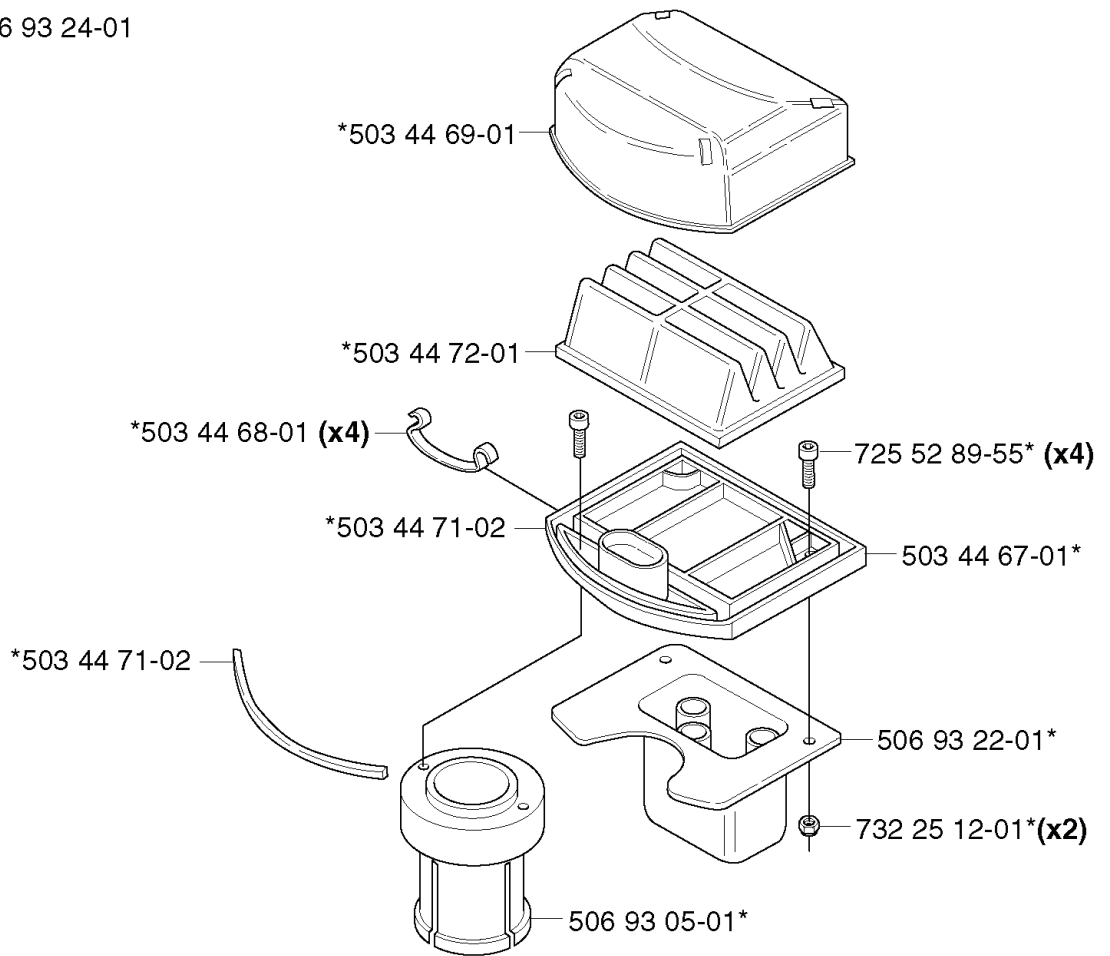


xxx xx xx-xx = New part,
Neues teil,
Nouvelle piece,
Nueva pieza,
Ny detalj

| REF. | PART NO. | DESCRIPTION | REMARK | QTY. | KIT |
|--------------|-----------|-----------------------|--------|------|-----|
| 535 41 56-19 | 535415619 | SCREW | | 3 | |
| 535 43 27-01 | 535432701 | DESIGN COVER TANK | | 1 | |
| 535 43 60-01 | 535436001 | KÅPSTÖTTA | | 2 | |
| 506 67 33-02 | 506673302 | TANK CAP ASSY | | 1 | |
| 535 42 52-01 | 535425201 | FUEL TANK | | 1 | |
| 740 48 12-02 | 740481202 | O-RING | | 1 | |
| 506 89 18-01 | 506891801 | CONNECTION | | 1 | |
| 506 94 67-05 | 506946705 | FUEL HOSE | | 1 | |
| 506 94 68-01 | 506946801 | TRÅDKLÄMMA | | 2 | |
| 506 79 10-01 | 506791001 | FUEL FILTER | | 1 | |
| 725 24 49-51 | 725244951 | SCREW | | 3 | |
| 535 43 86-01 | 535438601 | BRACKET | | 1 | |
| 734 11 56-01 | 734115601 | WASHER | | 3 | |
| 725 23 66-51 | 725236651 | HEXAGONAL SCREW M6X12 | | 3 | |
| 535 43 88-01 | 535438801 | TANK SUPPORT | | 1 | |
| 732 21 20-01 | 732212001 | LOCK NUT | | 1 | |
| 725 24 95-71 | 725249571 | SCREW EHHM | | 1 | |
| 723 12 28-01 | 723122801 | SCREW SLCHM | | 2 | |
| 535 45 70-01 | 535457001 | PLATE SPRING | | 1 | |
| 506 91 64-01 | 506916401 | MICRO SWITCH | | 1 | |
| 734 11 24-01 | 734112401 | WASHER | | 2 | |
| 731 23 10-01 | 731231001 | HEXAGON NUT | | 2 | |
| 732 21 18-01 | 732211801 | LOCK NUT | | 3 | |
| 535 43 24-01 | 535432401 | CONTROL CAP INNER | | 1 | |
| 535 42 50-01 | 535425001 | COVER | | 1 | |
| 535 45 97-01 | 535459701 | COVER | | 1 | |
| 725 23 64-61 | 725236461 | SCREW EHHFT | | 2 | |
| 733 78 40-23 | 733784023 | QUICK-ACTING LOCK NUT | | 2 | |
| 535 44 67-01 | 535446701 | HOUSING | | 1 | |
| 535 44 68-01 | 535446801 | LAMP | | 2 | |
| 506 89 20-01 | 506892001 | SPEED NUT | | 2 | |
| 535 44 71-01 | 535447101 | LAMP CHIMNEY | | 1 | |
| 535 46 29-01 | 535462901 | SPACER | | 2 | |
| 535 42 91-01 | 535429101 | SPRING NUT | | 2 | |
| 725 24 51-51 | 725245151 | SCREW | | 3 | |
| 722 78 39-02 | 722783902 | BLIND RIVET | | 2 | |
| 535 42 58-02 | 535425802 | SCREW IHPANM | | 2 | |
| 535 43 23-01 | 535432301 | CONTROL CAP OUTER | | 1 | |
| 535 42 58-01 | 535425801 | SCREW IHPANM | | 2 | |
| 535 45 52-01 | 535455201 | CONTROL PLATE | | 1 | |

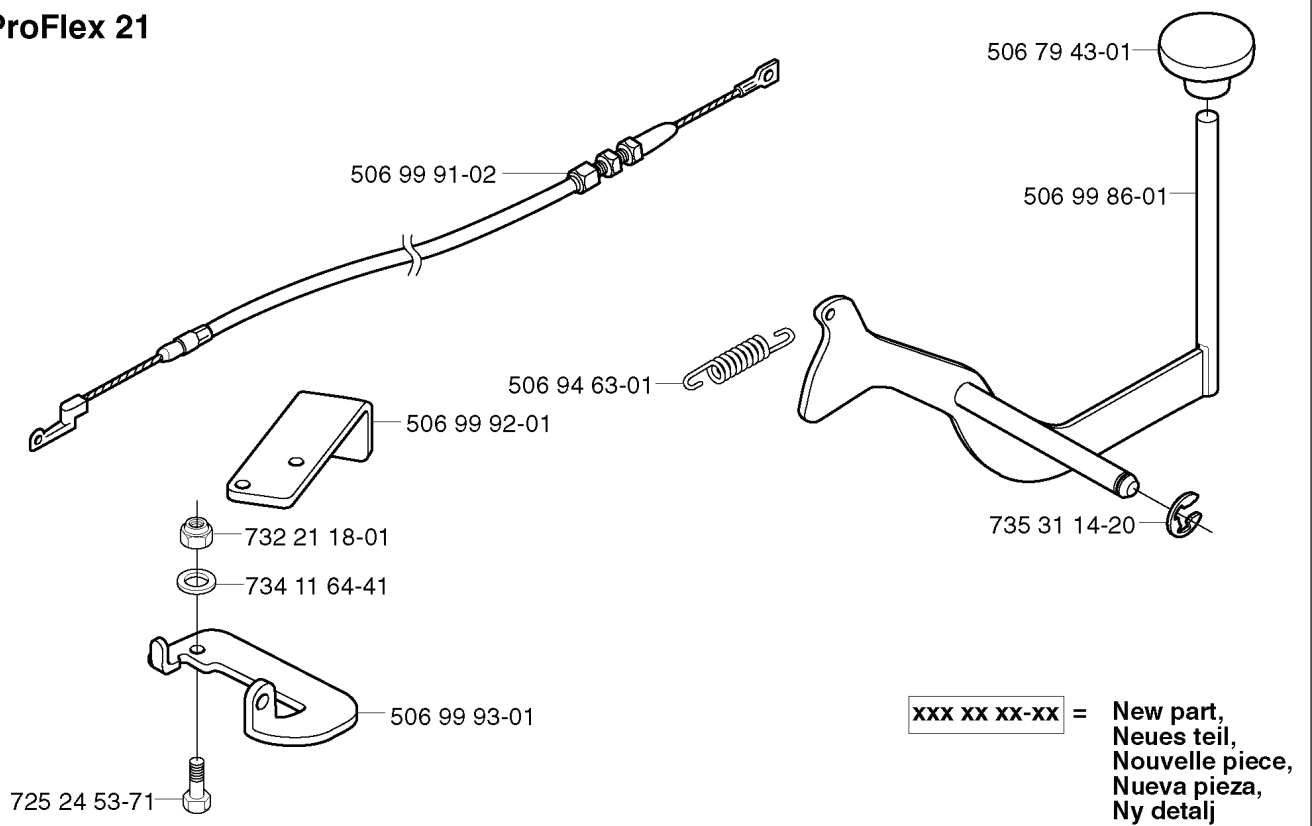
Q

*compl 506 93 24-01



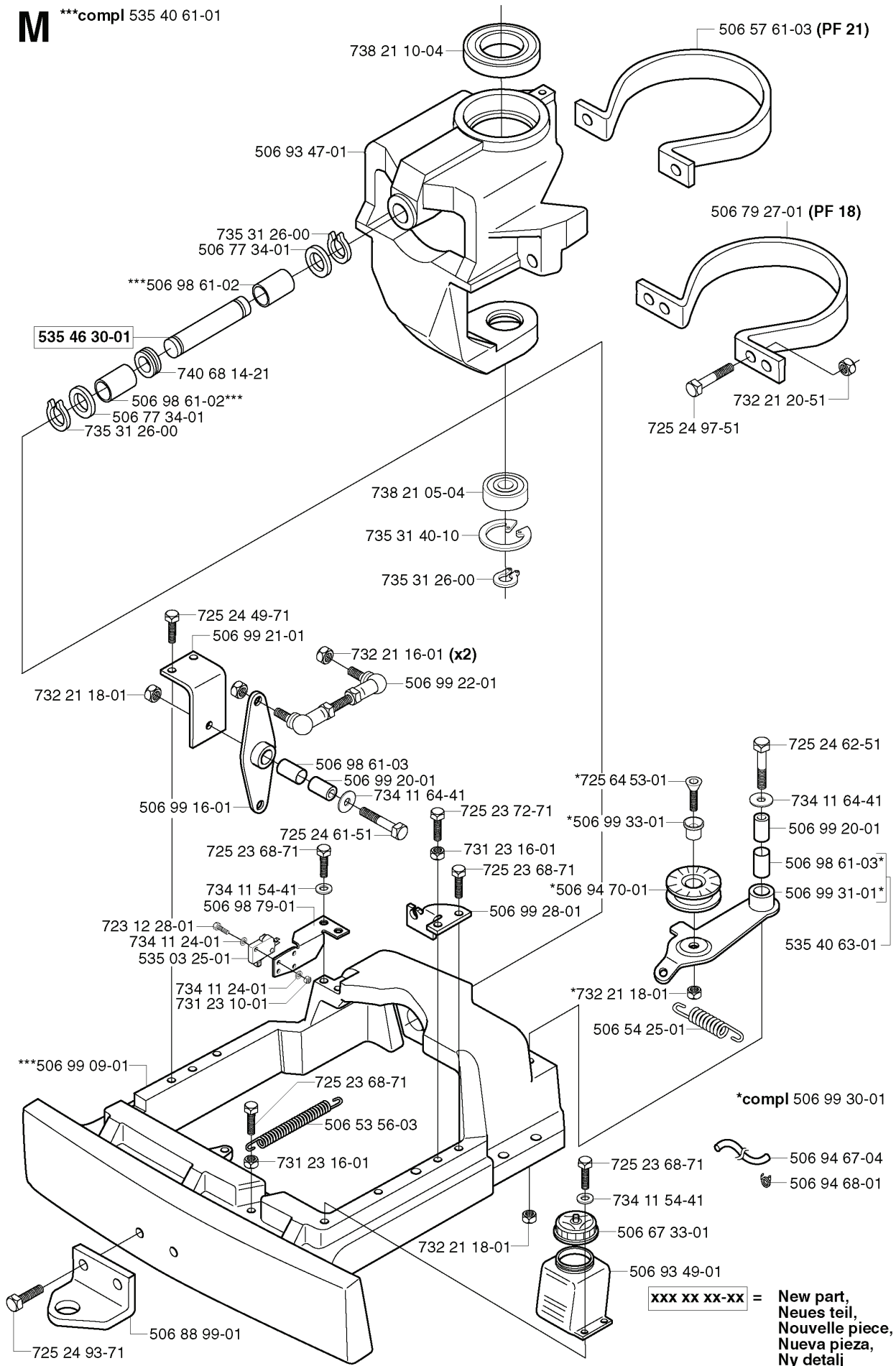
| REF. | PART NO. | DESCRIPTION | REMARK | QTY. | KIT |
|--------------|-----------|---------------------|--------|------|-----|
| 506 93 24-01 | 506932401 | FILTER | | 1 | |
| 503 44 69-01 | 503446901 | FILTER HOLDER | | 1 | |
| 503 44 72-01 | 503447201 | AIR FILTER | | 1 | |
| 503 44 68-01 | 503446801 | SPRING | | 4 | |
| 503 44 71-02 | 503447102 | GASKET | | 1 | |
| 506 93 05-01 | 506930501 | CONNECTION | | 1 | |
| 732 25 12-01 | 732251201 | HEXAGON LOCKING NUT | | 2 | |
| 506 93 22-01 | 506932201 | MUFFLER | | 1 | |
| 503 44 67-01 | 503446701 | FILTER HOLDER | | 1 | |
| 725 52 89-55 | 725528955 | SCREW IHSCM | | 4 | |

F ProFlex 21



| REF. | PART NO. | DESCRIPTION | REMARK | QTY. | KIT |
|--------------|-----------|-------------------------|--------|------|-----|
| 506 99 91-02 | 506999102 | DIFFWIRE | | 1 | |
| 506 94 63-01 | 506946301 | BRAKE SPRING | | 1 | |
| 506 99 92-01 | 506999201 | REAR ATTACHMENT | | 1 | |
| 732 21 18-01 | 732211801 | LOCK NUT | | 1 | |
| 734 11 64-41 | 734116441 | WASHER | | 1 | |
| 725 24 53-71 | 725245371 | SCREW EHHM | | 1 | |
| 506 99 93-01 | 506999301 | LEVER | | 1 | |
| 735 31 14-20 | 735311420 | E-CLIP | | 1 | |
| 506 99 86-01 | 506998601 | DIFFERENTIAL PEDAL ASSY | | 1 | |
| 506 79 43-01 | 506794301 | KNOB | | 1 | |

M ***compl 535 40 61-01

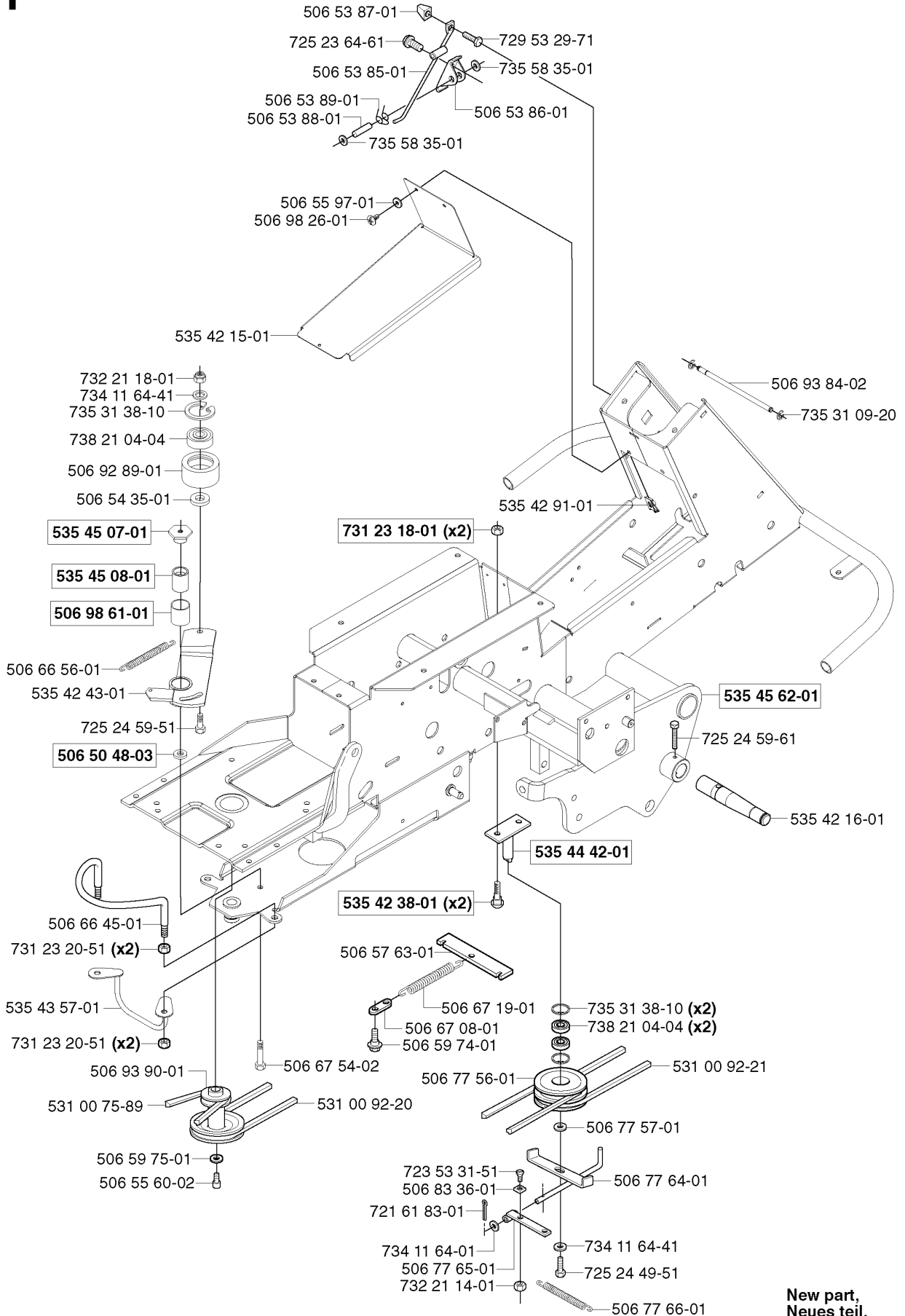


xxx xx xx-xx = New part,
Neues teil,
Nouvelle piece,
Nueva pieza,
Ny detalj

| REF. | PART NO. | DESCRIPTION | REMARK | QTY. | KIT |
|--------------|-----------|----------------------|--------|------|-----|
| 535 40 61-01 | 535406101 | BRACKET | | 1 | |
| 738 21 10-04 | 738211004 | BALL BEARING | | 1 | |
| 506 93 47-01 | 506934701 | SPINDLE | | 1 | |
| 506 77 34-01 | 506773401 | WASHER | | 1 | |
| 506 98 61-02 | 506986102 | GLIDLAGER | | 1 | |
| 535 46 30-01 | 535463001 | SWING AXLE | | 1 | |
| 740 68 14-21 | 740681421 | V-RING | | 1 | |
| 725 24 49-71 | 725244971 | SCREW EHHM | | 1 | |
| 506 99 21-01 | 506992101 | LEVER | | 1 | |
| 506 99 16-01 | 506991601 | LEVER | | 1 | |
| 734 11 54-41 | 734115441 | WASHER | | 1 | |
| 506 98 79-01 | 506987901 | BRACKET | | 1 | |
| 723 12 28-01 | 723122801 | SCREW SLCHM | | 1 | |
| 734 11 24-01 | 734112401 | WASHER | | 1 | |
| 535 03 25-01 | 535032501 | SWITCH | | 1 | |
| 731 23 10-01 | 731231001 | HEXAGON NUT | | 1 | |
| 506 99 09-01 | 506990901 | HST-KONSOL K62/66 | | 1 | |
| 725 24 93-71 | 725249371 | SCREW EHHM | | 1 | |
| 506 88 99-01 | 506889901 | HITCH | | 1 | |
| 506 53 56-03 | 506535603 | DRAW SPRING | | 1 | |
| 725 23 68-71 | 725236871 | SCREW EHHM | | 1 | |
| 725 24 61-51 | 725246151 | SCREW EHHM | | 1 | |
| 734 11 64-41 | 734116441 | WASHER | | 1 | |
| 506 99 20-01 | 506992001 | PIPE | | 1 | |
| 506 98 61-03 | 506986103 | BUSHING | | 1 | |
| 506 99 22-01 | 506992201 | ADJUSTMENT ROD | | 1 | |
| 732 21 16-01 | 732211601 | LOCK NUT | | 2 | |
| 735 31 26-00 | 735312600 | CIRCLIP | | 1 | |
| 735 31 40-10 | 735314010 | CIRCLIP | | 1 | |
| 738 21 05-04 | 738210504 | BALL BEARING | | 1 | |
| 725 23 72-71 | 725237271 | SCREW EHHM | | 1 | |
| 731 23 16-01 | 731231601 | HEXAGON NUT | | 1 | |
| 506 94 70-01 | 506947001 | BELT TENSIONER WHEEL | | 1 | |
| 506 99 28-01 | 506992801 | BRACKET | | 1 | |
| 732 21 18-01 | 732211801 | LOCK NUT | | 1 | |
| 506 54 25-01 | 506542501 | SPRING | | 1 | |
| 506 67 33-01 | 506673301 | TANK CAP ASSY | | 1 | |
| 506 93 49-01 | 506934901 | HYDROSTAT TANK | | 1 | |
| 506 94 68-01 | 506946801 | TRÅDKLÄMMA | | 1 | |
| 506 94 67-04 | 506946704 | FUEL HOSE | | 1 | |
| 506 99 30-01 | 506993001 | BELT TENSIONER ASSY | | 1 | |

| REF. | PART NO. | DESCRIPTION | REMARK | QTY. | KIT |
|--------------|-----------|---------------------|--------|------|-----|
| 535 40 63-01 | 535406301 | BELT TENSIONER ASSY | | 1 | |
| 506 99 31-01 | 506993101 | BELT TENSIONER ASSY | | 1 | |
| 725 24 62-51 | 725246251 | SCREW EHHM | | 1 | |
| 506 99 33-01 | 506993301 | SLEEVE | | 1 | |
| 725 64 53-01 | 725645301 | SCREW IHCSFM | | 1 | |
| 725 24 97-51 | 725249751 | SCREW | | 1 | |
| 732 21 20-51 | 732212051 | NUT | | 1 | |
| 506 79 27-01 | 506792701 | STYKRANS | PF 18 | 1 | |
| 506 57 61-03 | 506576103 | STYKRANS | PF 21 | 1 | |

P



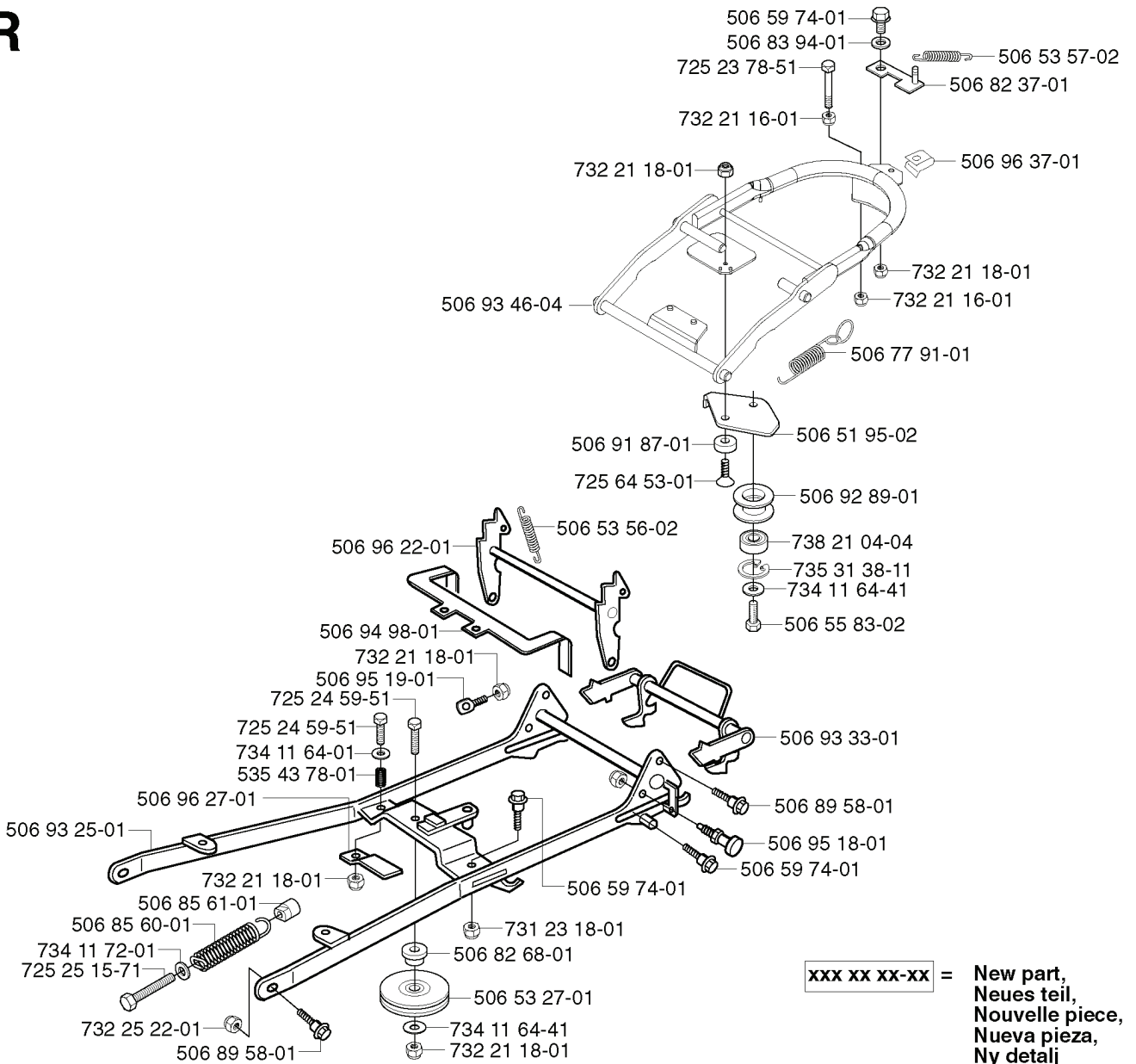
xxx xx xx-xx =

**New part,
Neues teil,
Nouvelle piece,
Nueva pieza,
Ny detalj**

| REF. | PART NO. | DESCRIPTION | REMARK | QTY. | KIT |
|--------------|-----------|---------------------|--------|------|-----|
| 506 53 87-01 | 506538701 | CONTROL BUTTON | | 1 | |
| 725 23 64-61 | 725236461 | SCREW EHHFT | | 1 | |
| 506 53 85-01 | 506538501 | LOCKING ARM | | 1 | |
| 506 53 89-01 | 506538901 | SPRING | | 1 | |
| 506 53 88-01 | 506538801 | SHAFT | | 1 | |
| 506 55 97-01 | 506559701 | WASHER | | 1 | |
| 506 98 26-01 | 506982601 | SCREW | | 1 | |
| 535 42 15-01 | 535421501 | LOCK GOLVTUNNEL | | 1 | |
| 732 21 18-01 | 732211801 | LOCK NUT | | 1 | |
| 734 11 64-41 | 734116441 | WASHER | | 1 | |
| 506 92 89-01 | 506928901 | PULLEY | | 1 | |
| 506 54 35-01 | 506543501 | BUSHING | | 1 | |
| 535 45 07-01 | 535450701 | NUT | | 1 | |
| 535 45 08-01 | 535450801 | BEARING PIPE | | 1 | |
| 506 98 61-01 | 506986101 | GLIDLAGER | | 1 | |
| 506 66 56-01 | 506665601 | SPRING | | 1 | |
| 535 42 43-01 | 535424301 | BELT TENSIONER ASSY | | 1 | |
| 725 24 59-51 | 725245951 | SCREW EHHM | | 1 | |
| 506 50 48-03 | 506504803 | WASHER | | 1 | |
| 506 66 45-01 | 506664501 | BELT GUIDE | | 1 | |
| 535 43 57-01 | 535435701 | HOSE CLIP | | 1 | |
| 731 23 20-51 | 731232051 | HEXAGON NUT | | 2 | |
| 506 93 90-01 | 506939001 | PULLEY | | 1 | |
| 531 00 75-89 | 531007589 | BELT | | 1 | |
| 506 59 75-01 | 506597501 | WASHER | | 1 | |
| 506 55 60-02 | 506556002 | SCREW UNC | | 1 | |
| 732 21 14-01 | 732211401 | LOCK NUT | | 1 | |
| 506 77 65-01 | 506776501 | ARM | | 1 | |
| 734 11 64-01 | 734116401 | WASHER | | 1 | |
| 721 61 83-01 | 721618301 | SPLIT PIN | | 1 | |
| 506 83 36-01 | 506833601 | BRAKE LINING | | 1 | |
| 723 53 31-51 | 723533151 | SCREW SLCSFM | | 1 | |
| 531 00 92-20 | 531009220 | BELT | | 1 | |
| 506 67 54-02 | 506675402 | SCREW EHHFM | | 1 | |
| 506 77 56-01 | 506775601 | MELLANHJUL | | 1 | |
| 506 59 74-01 | 506597401 | SCREW EHHFM | | 1 | |
| 506 67 08-01 | 506670801 | LINK | | 1 | |
| 506 67 19-01 | 506671901 | SPRING | | 1 | |
| 506 57 63-01 | 506576301 | SPRING RETAINER | | 1 | |
| 535 42 38-01 | 535423801 | SCREW RSQM | | 2 | |
| 731 23 18-01 | 731231801 | HEXAGON NUT | | 2 | |

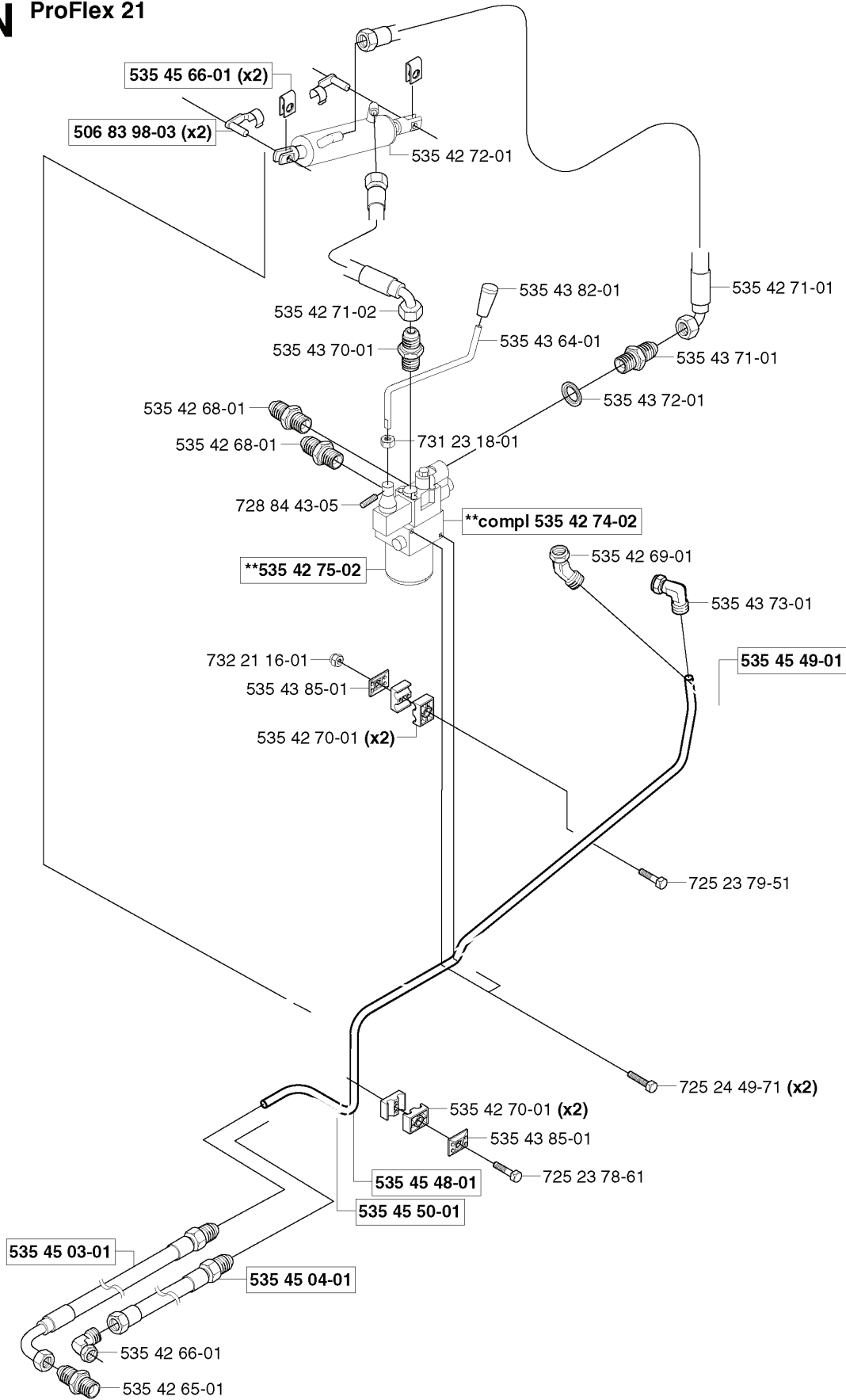
| REF. | PART NO. | DESCRIPTION | REMARK | QTY. | KIT |
|--------------|-----------|-------------------|--------|------|-----|
| 735 58 35-01 | 735583501 | WASHER | | 1 | |
| 506 53 86-01 | 506538601 | BRACKET | | 1 | |
| 729 53 29-71 | 729532971 | SCREW CRPANT | | 1 | |
| 535 42 91-01 | 535429101 | SPRING NUT | | 1 | |
| 535 44 42-01 | 535444201 | MELLANLAGRING KPL | | 1 | |
| 735 31 38-10 | 735313810 | CIRCLIP | | 2 | |
| 738 21 04-04 | 738210404 | BALL BEARING | | 2 | |
| 506 77 57-01 | 506775701 | WASHER | | 1 | |
| 506 77 64-01 | 506776401 | CONSOLE | | 1 | |
| 725 24 49-51 | 725244951 | SCREW | | 1 | |
| 506 77 66-01 | 506776601 | SPRING | | 1 | |
| 531 00 92-21 | 531009221 | BELT | | 1 | |
| 535 42 16-01 | 535421601 | WHEEL AXLE | | 1 | |
| 725 24 59-61 | 725245961 | SCREW EHHFT | | 1 | |
| 535 45 62-01 | 535456201 | FRAME | | 1 | |
| 735 31 09-20 | 735310920 | E-CLIP | | 1 | |
| 506 93 84-02 | 506938402 | SHAFT | | 1 | |

R



| REF. | PART NO. | DESCRIPTION | REMARK | QTY. | KIT |
|--------------|-----------|----------------------|--------|------|-----|
| 506 83 94-01 | 506839401 | SPRING WASHER | | 1 | |
| 725 23 78-51 | 725237851 | SCREW EHHM | | 1 | |
| 732 21 16-01 | 732211601 | LOCK NUT | | 1 | |
| 732 21 18-01 | 732211801 | LOCK NUT | | 1 | |
| 506 93 46-04 | 506934604 | DECK ATTACHMENT ASSY | | 1 | |
| 506 91 87-01 | 506918701 | WASHER | | 1 | |
| 725 64 53-01 | 725645301 | SCREW IHCSFM | | 1 | |
| 506 53 56-02 | 506535602 | SPRING | | 1 | |
| 506 96 22-01 | 506962201 | HOOK PROTECTION ASSY | | 1 | |
| 506 94 98-01 | 506949801 | RAMSTOPP | | 1 | |
| 506 95 19-01 | 506951901 | PENDULUM | | 1 | |
| 725 24 59-51 | 725245951 | SCREW EHHM | | 1 | |
| 734 11 64-01 | 734116401 | WASHER | | 1 | |
| 535 43 78-01 | 535437801 | COMPRESSION SPRING | | 1 | |
| 506 96 27-01 | 506962701 | BELT GUIDE | | 1 | |
| 506 93 25-01 | 506932501 | EQUIPMENT FRAME ASSY | | 1 | |
| 506 85 61-01 | 506856101 | NUT | | 1 | |
| 506 85 60-01 | 506856001 | SPRING | | 1 | |
| 734 11 72-01 | 734117201 | WASHER | | 1 | |
| 725 25 15-71 | 725251571 | SCREW EHHM | | 1 | |
| 732 25 22-01 | 732252201 | HEXAGON LOCKING NUT | | 1 | |
| 734 11 64-41 | 734116441 | WASHER | | 1 | |
| 506 53 27-01 | 506532701 | PULLEY | | 1 | |
| 506 82 68-01 | 506826801 | BUSHING | | 1 | |
| 731 23 18-01 | 731231801 | HEXAGON NUT | | 1 | |
| 506 59 74-01 | 506597401 | SCREW EHHFM | | 1 | |
| 506 95 18-01 | 506951801 | BOLT | | 1 | |
| 506 89 58-01 | 506895801 | COLLAR SCREW | | 1 | |
| 506 93 33-01 | 506933301 | CATCH | | 1 | |
| 506 55 83-02 | 506558302 | SCREW EHHFT | | 1 | |
| 735 31 38-11 | 735313811 | CIRCLIP | | 1 | |
| 738 21 04-04 | 738210404 | BALL BEARING | | 1 | |
| 506 92 89-01 | 506928901 | PULLEY | | 1 | |
| 506 51 95-02 | 506519502 | SPÄNNARM KPL. | | 1 | |
| 506 77 91-01 | 506779101 | SPRING | | 1 | |
| 506 96 37-01 | 506963701 | LÅSDON | | 1 | |
| 506 82 37-01 | 506823701 | CATCH | | 1 | |
| 506 53 57-02 | 506535702 | SPRING | | 1 | |

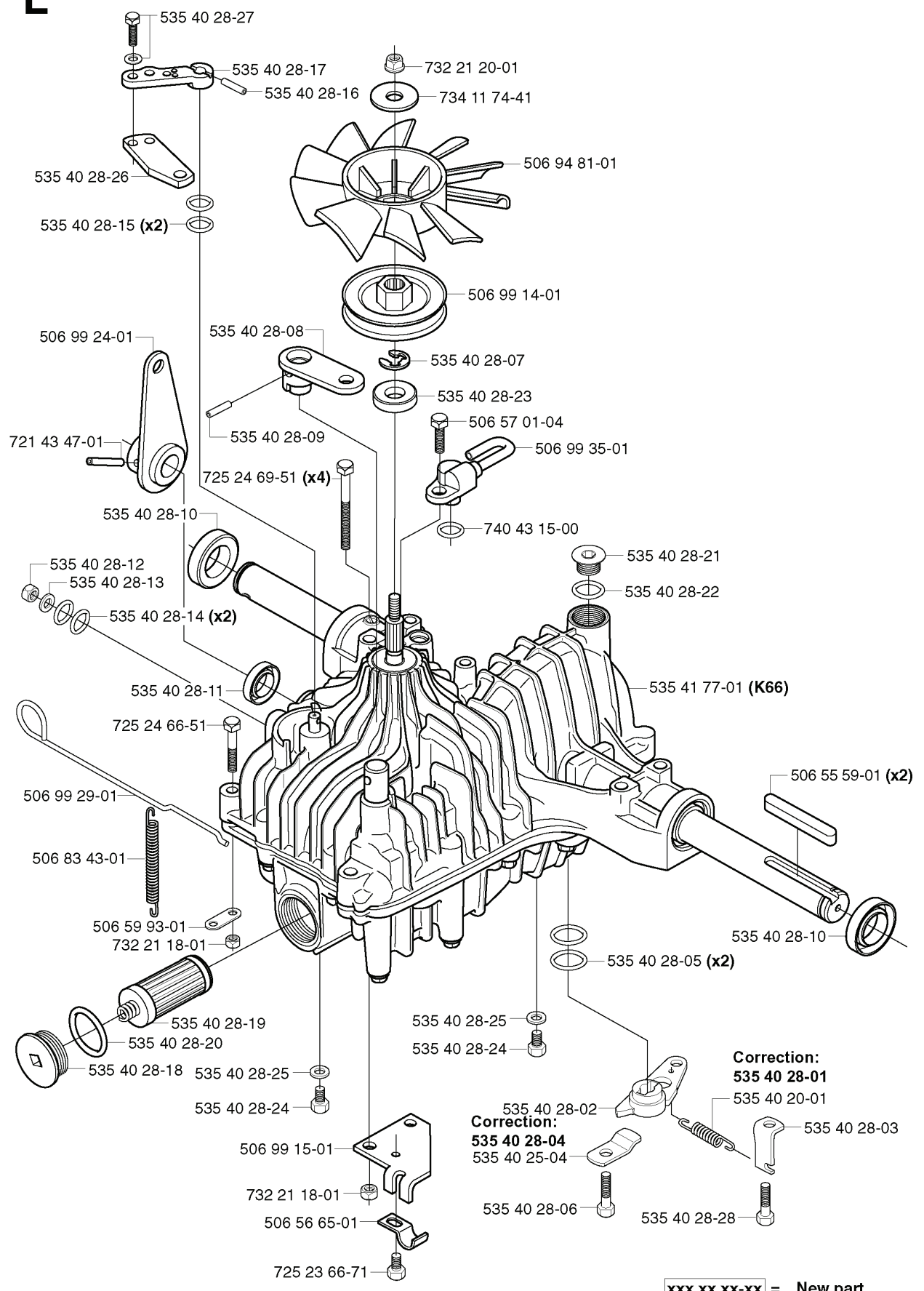
N ProFlex 21



xxx xx xx-xx = New part,
Neues teil,
Nouvelle piece,
Nueva pieza,
Ny detalj

| REF. | PART NO. | DESCRIPTION | REMARK | QTY. | KIT |
|--------------|-----------|------------------|--------|------|-----|
| 535 45 66-01 | 535456601 | U-PLÅT | | 2 | |
| 506 83 98-03 | 506839803 | BOLT | | 2 | |
| 535 42 71-02 | 535427102 | HYDRAULIC HOSE | | 1 | |
| 535 43 70-01 | 535437001 | PIPE FITTING | | 1 | |
| 535 42 68-01 | 535426801 | PIPE FITTING | | 1 | |
| 728 84 43-05 | 728844305 | SCREW IHSETM | | 1 | |
| 535 42 75-02 | 535427502 | FILTER | | 1 | |
| 732 21 16-01 | 732211601 | LOCK NUT | | 1 | |
| 535 43 85-01 | 535438501 | COVER WASHER | | 1 | |
| 535 45 03-01 | 535450301 | HYDRAULIC HOSE | | 1 | |
| 535 42 66-01 | 535426601 | PIPE FITTING | | 1 | |
| 535 42 65-01 | 535426501 | PIPE FITTING | | 1 | |
| 535 45 04-01 | 535450401 | HYDRAULIC HOSE | | 1 | |
| 535 45 50-01 | 535455001 | PIPE ASSY | | 1 | |
| 535 45 48-01 | 535454801 | PIPE ASSY | | 1 | |
| 725 23 78-61 | 725237861 | SCREW EHHFT | | 1 | |
| 535 42 70-01 | 535427001 | PIPE CLAMP | | 2 | |
| 725 24 49-71 | 725244971 | SCREW EHHM | | 2 | |
| 725 23 79-51 | 725237951 | SCREW EHHM | | 1 | |
| 535 45 49-01 | 535454901 | HYDRAULIC PIPE | | 1 | |
| 535 43 73-01 | 535437301 | PIPE FITTING | | 1 | |
| 535 42 69-01 | 535426901 | PIPE FITTING | | 1 | |
| 535 42 74-02 | 535427402 | FILTERBLOCK ASSY | | 1 | |
| 731 23 18-01 | 731231801 | HEXAGON NUT | | 1 | |
| 535 43 72-01 | 535437201 | WASHER | | 1 | |
| 535 43 71-01 | 535437101 | PIPE FITTING | | 1 | |
| 535 42 71-01 | 535427101 | HYDRAULIC HOSE | | 1 | |
| 535 43 64-01 | 535436401 | VALVE BAR | | 1 | |
| 535 43 82-01 | 535438201 | KNOB | | 1 | |
| 535 42 72-01 | 535427201 | CYLINDER ASSY | | 1 | |

L K66 ProFlex 21



Correction:
535 40 28-01

Correction:
535 40 28-04
535 40 25-04

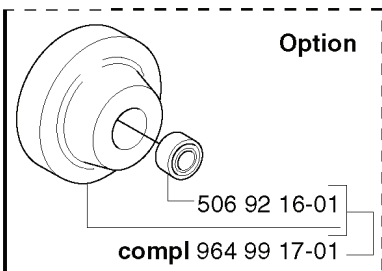
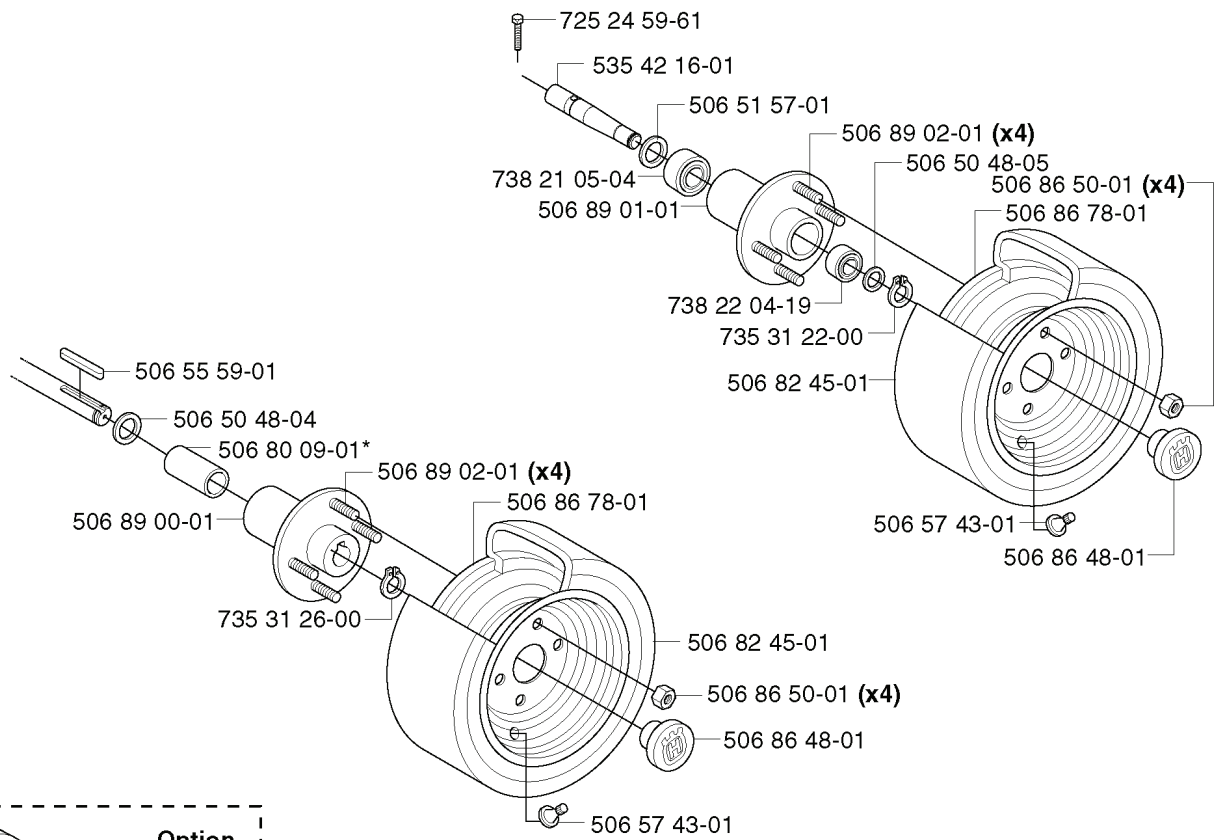
535 40 28-02
535 40 20-01
535 40 28-03
535 40 28-06
535 40 28-28

**xxx xx xx-xx = New part,
Neues teil,
Nouvelle piece,
Nueva pieza,
Ny detalj**

| REF. | PART NO. | DESCRIPTION | REMARK | QTY. | KIT |
|--------------|-----------|---------------------|-------------|------|-----|
| 535 40 28-27 | 535402827 | BOLT | | 1 | |
| 535 40 28-17 | 535402817 | LEVER | | 1 | |
| 535 40 28-16 | 535402816 | PIN RETAINING SCREW | | 1 | |
| 535 40 28-26 | 535402826 | LEVER | | 1 | |
| 535 40 28-15 | 535402815 | O-RING | | 2 | |
| 506 99 24-01 | 506992401 | LEVER | | 1 | |
| 721 43 47-01 | 721434701 | SPRING PIN | | 1 | |
| 535 40 28-10 | 535402810 | SEALING | | 1 | |
| 535 40 28-12 | 535402812 | NUT | | 1 | |
| 535 40 28-13 | 535402813 | WASHER | | 1 | |
| 535 40 28-14 | 535402814 | O-RING | | 2 | |
| 535 40 28-11 | 535402811 | SEALING | | 1 | |
| 725 24 66-51 | 725246651 | SCREW | | 1 | |
| 506 99 29-01 | 506992901 | FRIKOPPLINGSSTÅNG | | 1 | |
| 506 83 43-01 | 506834301 | SPRING | | 1 | |
| 506 59 93-01 | 506599301 | LINK | | 1 | |
| 535 40 28-19 | 535402819 | FILTER | | 1 | |
| 535 40 28-20 | 535402820 | O-RING | | 1 | |
| 535 40 28-18 | 535402818 | COVER | | 1 | |
| 535 40 28-25 | 535402825 | WASHER | | 1 | |
| 506 99 15-01 | 506991501 | BRACKET | | 1 | |
| 732 21 18-01 | 732211801 | LOCK NUT | | 1 | |
| 506 56 65-01 | 506566501 | CLIP | | 1 | |
| 725 23 66-71 | 725236671 | SCREW EHHM | | 1 | |
| 535 40 28-06 | 535402806 | SCREW | | 1 | |
| 535 40 25-04 | 535402504 | BRACKET | | 1 | |
| 535 40 28-04 | 535402804 | HOLDER | CORRECTION: | 1 | |
| 535 40 28-02 | 535402802 | LEVER | | 1 | |
| 535 40 28-24 | 535402824 | BOLT | | 1 | |
| 725 24 69-51 | 725246951 | SCREW EHHM | | 4 | |
| 535 40 28-09 | 535402809 | PIN RETAINING SCREW | | 1 | |
| 535 40 28-08 | 535402808 | BRAKE LEVER | | 1 | |
| 732 21 20-01 | 732212001 | LOCK NUT | | 1 | |
| 734 11 74-41 | 734117441 | WASHER | | 1 | |
| 506 94 81-01 | 506948101 | FAN | | 1 | |
| 506 99 14-01 | 506991401 | PULLEY | | 1 | |
| 535 40 28-07 | 535402807 | CLIP | | 1 | |
| 535 40 28-23 | 535402823 | SEALING | | 1 | |
| 506 57 01-04 | 506570104 | SCREW EHHFM | | 1 | |
| 506 99 35-01 | 506993501 | HOSE CLAMP | | 1 | |
| 740 43 15-00 | 740431500 | O-RING | | 1 | |

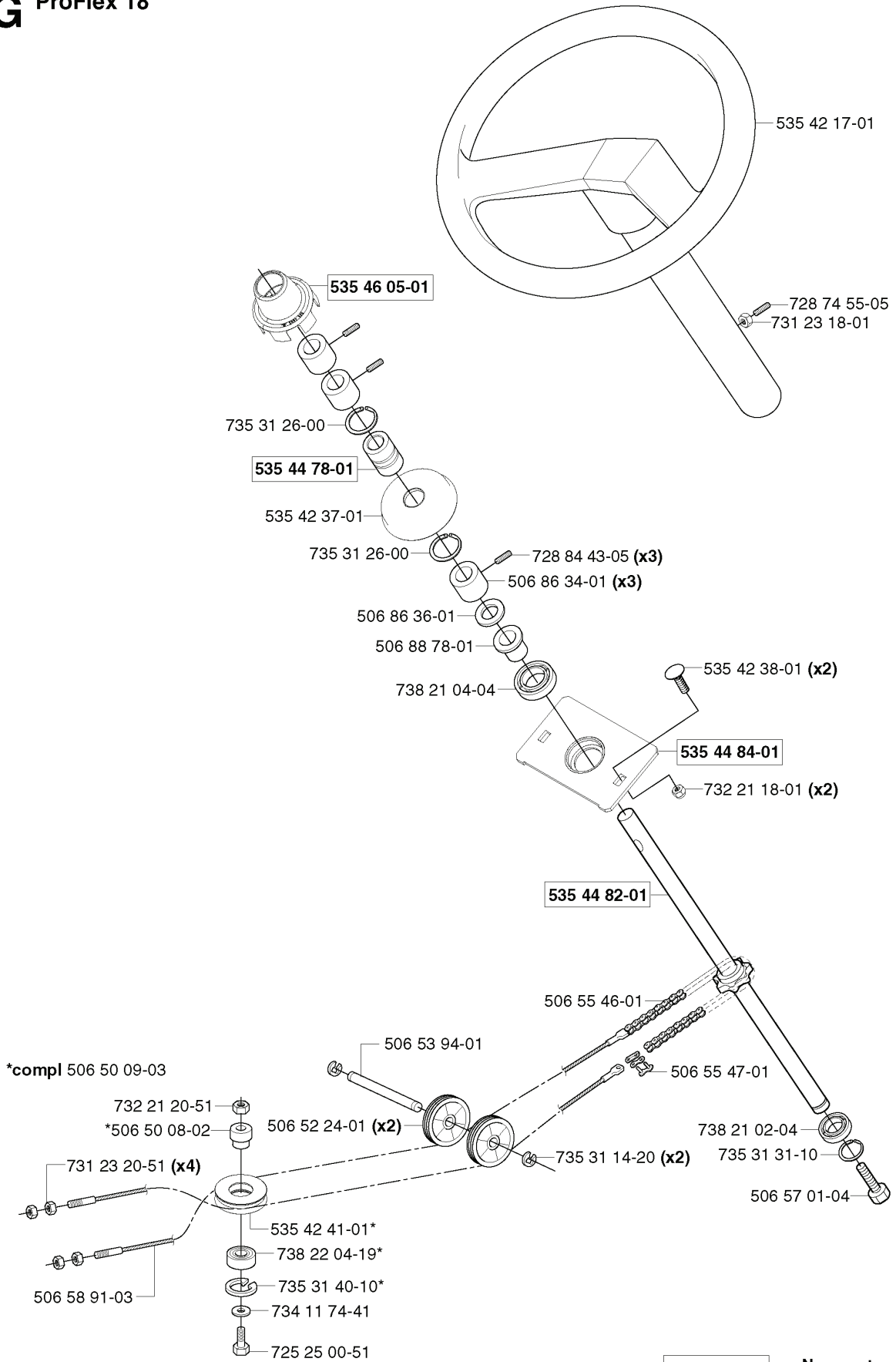
| REF. | PART NO. | DESCRIPTION | REMARK | QTY. | KIT |
|--------------|-----------|--------------|-------------|------|-----|
| 535 40 28-05 | 535402805 | O-RING | | 2 | |
| 535 40 28-28 | 535402828 | SCREW | | 1 | |
| 535 40 28-03 | 535402803 | PAWL | | 1 | |
| 535 40 20-01 | 535402001 | WIRING | | 1 | |
| 535 40 28-01 | 535402801 | SPRING | CORRECTION: | 1 | |
| 506 55 59-01 | 506555901 | WEDGE | | 2 | |
| 535 41 77-01 | 535417701 | TRANSMISSION | K66 | 1 | |
| 535 40 28-22 | 535402822 | O-RING | | 1 | |
| 535 40 28-21 | 535402821 | COVER | | 1 | |

H * To be removed when fitting wheelweights.



| REF. | PART NO. | DESCRIPTION | REMARK | QTY. | KIT |
|--------------|-----------|------------------|--------|------|-----|
| 506 55 59-01 | 506555901 | WEDGE | | 1 | |
| 506 50 48-04 | 506504804 | WASHER | | 1 | |
| 506 80 09-01 | 506800901 | SLEEVE | | 1 | |
| 506 89 00-01 | 506890001 | HUB | | 1 | |
| 506 92 16-01 | 506921601 | BALL BEARING | | 1 | |
| 964 99 17-01 | 964991701 | WHEEL WEIGHT | | 1 | |
| 735 31 26-00 | 735312600 | CIRCLIP | | 1 | |
| 506 89 02-01 | 506890201 | BOLT | | 4 | |
| 506 86 78-01 | 506867801 | RIM | | 1 | |
| 506 86 48-01 | 506864801 | PROTECTIVE COVER | | 1 | |
| 506 57 43-01 | 506574301 | VALVE ASSY | | 1 | |
| 506 82 45-01 | 506824501 | TIRE | | 1 | |
| 735 31 22-00 | 735312200 | CIRCLIP | | 1 | |
| 738 22 04-19 | 738220419 | BALL BEARING | | 1 | |
| 506 89 01-01 | 506890101 | HUB | | 1 | |
| 738 21 05-04 | 738210504 | BALL BEARING | | 1 | |
| 506 86 50-01 | 506865001 | WHEEL NUT | | 4 | |
| 506 50 48-05 | 506504805 | WASHER | | 1 | |
| 506 51 57-01 | 506515701 | WASHER | | 1 | |
| 535 42 16-01 | 535421601 | WHEEL AXLE | | 1 | |
| 725 24 59-61 | 725245961 | SCREW EHHFT | | 1 | |

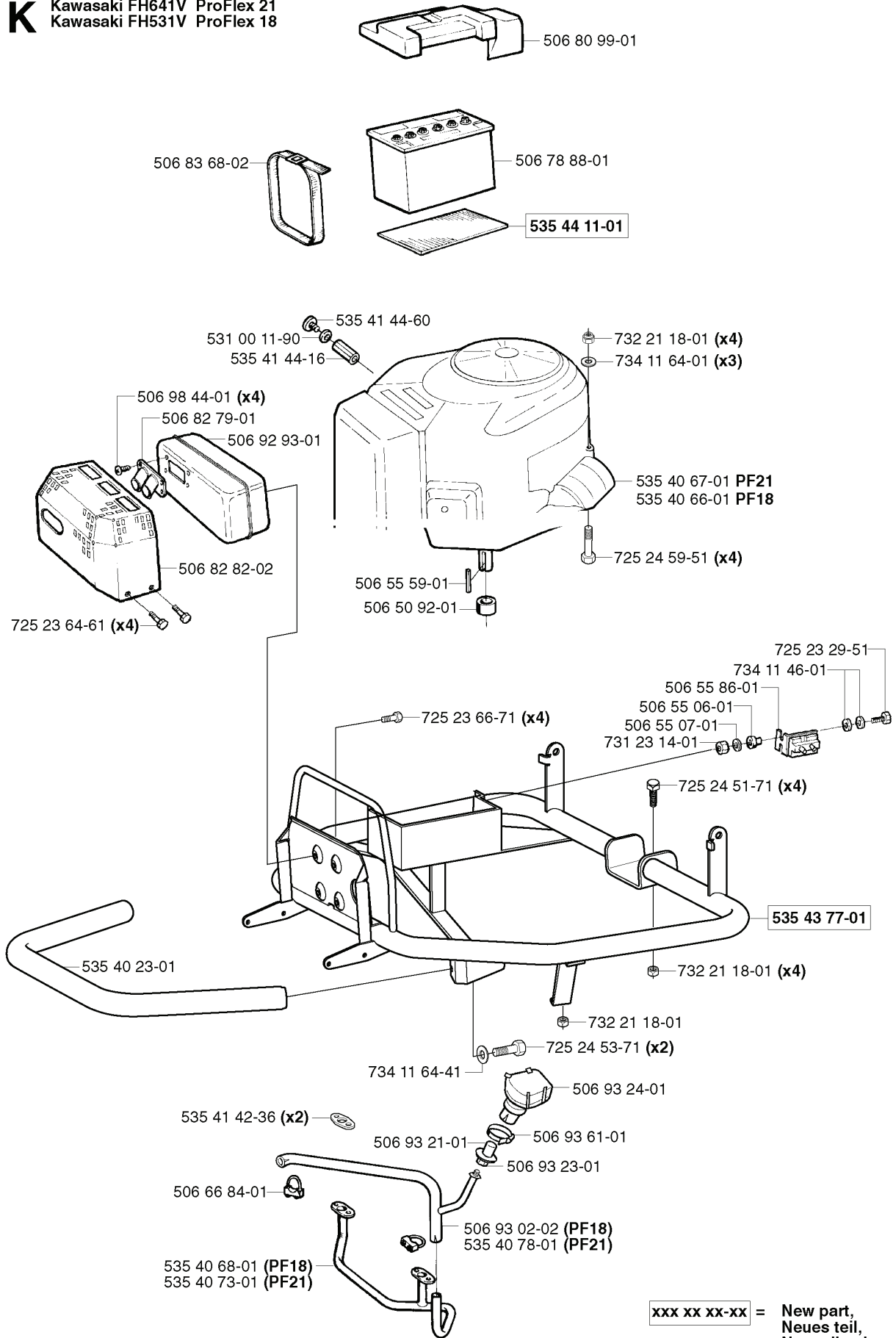
G ProFlex 18



**xxx xx xx-xx = New part,
Neues teil,
Nouvelle piece,
Nueva pieza,
Ny detalj**

| REF. | PART NO. | DESCRIPTION | REMARK | QTY. | KIT |
|--------------|-----------|-------------------|--------|------|-----|
| 535 46 05-01 | 535460501 | SEALING | | 1 | |
| 735 31 26-00 | 735312600 | CIRCLIP | | 1 | |
| 535 44 78-01 | 535447801 | DRIVER | | 1 | |
| 535 42 37-01 | 535423701 | BELLOWS | | 1 | |
| 506 86 36-01 | 506863601 | WASHER | | 1 | |
| 506 88 78-01 | 506887801 | SPACER | | 1 | |
| 738 21 04-04 | 738210404 | BALL BEARING | | 1 | |
| 506 50 09-03 | 506500903 | BARRING WHEEL | | 1 | |
| 732 21 20-51 | 732212051 | NUT | | 1 | |
| 506 50 08-02 | 506500802 | BUSHING | | 1 | |
| 731 23 20-51 | 731232051 | HEXAGON NUT | | 4 | |
| 506 58 91-03 | 506589103 | WIRE ASSY | | 1 | |
| 725 25 00-51 | 725250051 | SCREW EHHM | | 1 | |
| 734 11 74-41 | 734117441 | WASHER | | 1 | |
| 735 31 40-10 | 735314010 | CIRCLIP | | 1 | |
| 738 22 04-19 | 738220419 | BALL BEARING | | 1 | |
| 535 42 41-01 | 535424101 | BARRING WHEEL | | 1 | |
| 506 52 24-01 | 506522401 | STARTER PULLEY | | 2 | |
| 506 53 94-01 | 506539401 | SHAFT | | 1 | |
| 735 31 14-20 | 735311420 | E-CLIP | | 2 | |
| 506 57 01-04 | 506570104 | SCREW EHHFM | | 1 | |
| 735 31 31-10 | 735313110 | CIRCLIP | | 1 | |
| 738 21 02-04 | 738210204 | BALL BEARING | | 1 | |
| 506 55 47-01 | 506554701 | LINKAGE | | 1 | |
| 506 55 46-01 | 506554601 | CHAIN | | 1 | |
| 535 44 82-01 | 535448201 | ROD STEERING ASSY | | 1 | |
| 732 21 18-01 | 732211801 | LOCK NUT | | 2 | |
| 535 44 84-01 | 535448401 | BEARING CAGE | | 1 | |
| 535 42 38-01 | 535423801 | SCREW RSQM | | 2 | |
| 506 86 34-01 | 506863401 | DRIVER | | 3 | |
| 728 84 43-05 | 728844305 | SCREW IHSETM | | 3 | |
| 731 23 18-01 | 731231801 | HEXAGON NUT | | 1 | |
| 728 74 55-05 | 728745505 | SCREW IHSETM | | 1 | |
| 535 42 17-01 | 535421701 | STEERING WHEEL | | 1 | |

K Kawasaki FH641V ProFlex 21
Kawasaki FH531V ProFlex 18



**xxx xx xx-xx = New part,
Neues teil,
Nouvelle piece,
Nueva pieza,
Ny detalj**

| REF. | PART NO. | DESCRIPTION | REMARK | QTY. | KIT |
|--------------|-----------|--------------------|--------|------|-----|
| 506 83 68-02 | 506836802 | BELT | | 1 | |
| 535 41 44-60 | 535414460 | PLUG | | 1 | |
| 531 00 11-90 | 531001190 | O-RING | | 1 | |
| 535 41 44-16 | 535414416 | JOINT | | 1 | |
| 506 98 44-01 | 506984401 | SCREW | | 4 | |
| 506 82 79-01 | 506827901 | DEFLECTOR | | 1 | |
| 506 92 93-01 | 506929301 | MUFFLER | | 1 | |
| 506 82 82-02 | 506828202 | BRÄNNSKYDD KPL CAT | | 1 | |
| 725 23 64-61 | 725236461 | SCREW EHHFT | | 4 | |
| 535 40 23-01 | 535402301 | HAND GUARD | | 1 | |
| 535 41 42-36 | 535414236 | GASKET | | 2 | |
| 506 66 84-01 | 506668401 | CLAMP ASSY | | 1 | |
| 535 40 68-01 | 535406801 | GRENÖR KPL. | PF18 | 1 | |
| 535 40 73-01 | 535407301 | GRENÖR KPL. | PF21 | 1 | |
| 535 40 78-01 | 535407801 | EXHAUST PIPE ASSY | PF21 | 1 | |
| 506 93 02-02 | 506930202 | EXHAUST PIPE ASSY | PF18 | 1 | |
| 506 93 23-01 | 506932301 | VALVE | | 1 | |
| 506 93 61-01 | 506936101 | CLIP | | 1 | |
| 506 93 21-01 | 506932101 | HOSE | | 1 | |
| 734 11 64-41 | 734116441 | WASHER | | 1 | |
| 506 93 24-01 | 506932401 | FILTER | | 1 | |
| 725 24 53-71 | 725245371 | SCREW EHHM | | 2 | |
| 535 43 77-01 | 535437701 | ENGINE FRAME | | 1 | |
| 725 24 51-71 | 725245171 | SCREW EHHM | | 4 | |
| 731 23 14-01 | 731231401 | HEXAGON NUT | | 1 | |
| 506 55 07-01 | 506550701 | INSULATING WASHER | | 1 | |
| 506 55 06-01 | 506550601 | PLUG | | 1 | |
| 506 55 86-01 | 506558601 | RELAY | | 1 | |
| 734 11 46-01 | 734114601 | WASHER | | 1 | |
| 725 23 29-51 | 725232951 | SCREW | | 1 | |
| 725 23 66-71 | 725236671 | SCREW EHHM | | 4 | |
| 506 50 92-01 | 506509201 | SPACING SLEEVE | | 1 | |
| 506 55 59-01 | 506555901 | WEDGE | | 1 | |
| 725 24 59-51 | 725245951 | SCREW EHHM | | 4 | |
| 535 40 66-01 | 535406601 | MOTOR | PF18 | 1 | |
| 535 40 67-01 | 535406701 | MOTOR | PF21 | 1 | |
| 734 11 64-01 | 734116401 | WASHER | | 3 | |
| 732 21 18-01 | 732211801 | LOCK NUT | | 4 | |
| 535 44 11-01 | 535441101 | BATTERY MAT | | 1 | |
| 506 78 88-01 | 506788801 | BATTERY | | 1 | |
| 506 80 99-01 | 506809901 | BATTERY COVER | | 1 | |