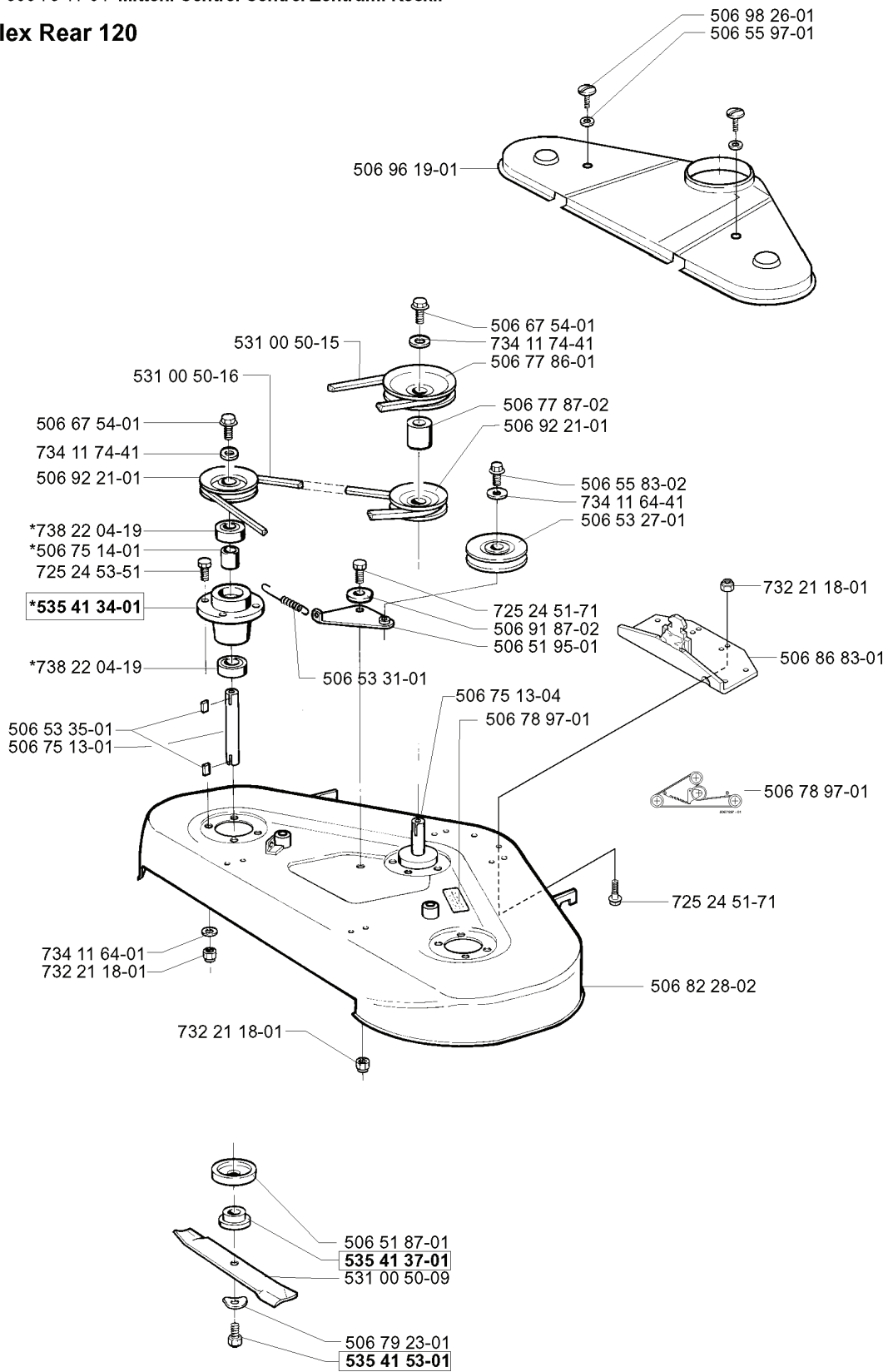


PROFLEX 18, 2001-01

SPARE PARTS LIST

U *compl 506 75 11-01 Yttre. Outer. Exterieur. Äusser. Ulko.
 *compl 506 75 11-04 Mitten. Centre. Centre. Zentrum. Keski.

ProFlex Rear 120

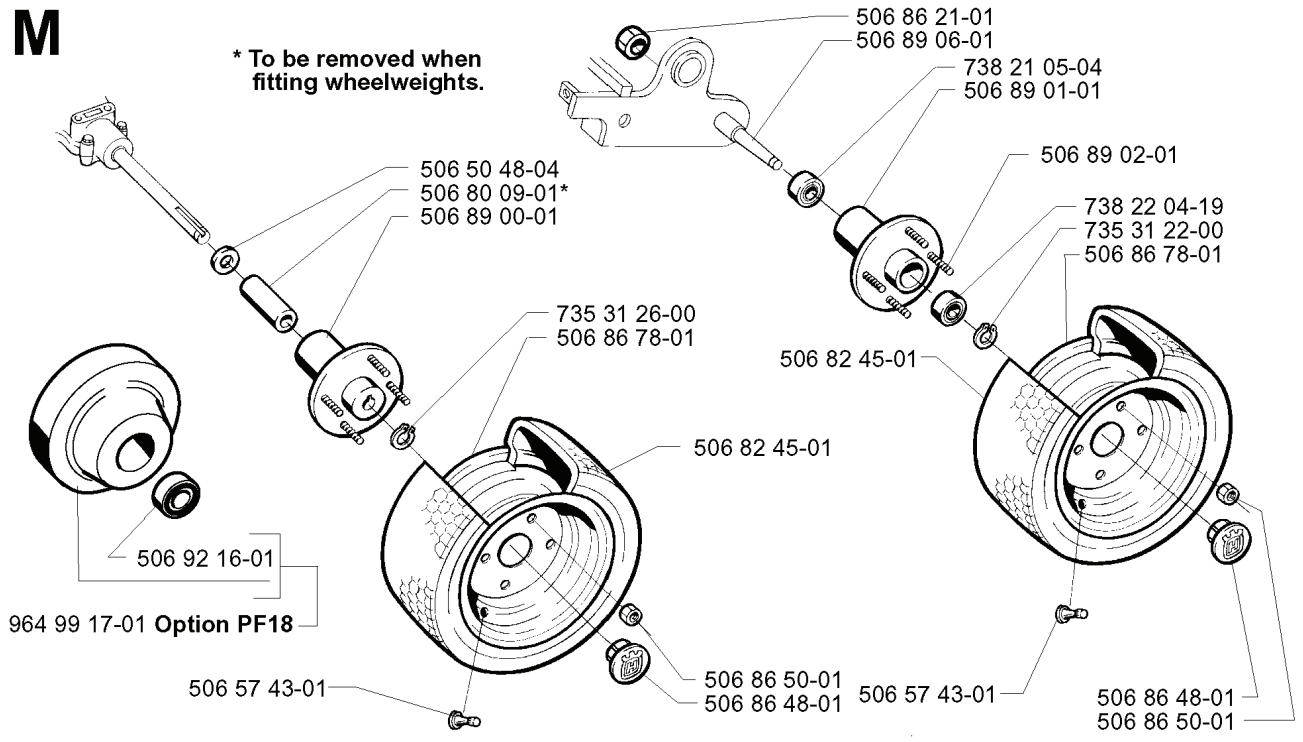


**xxx xx xx-xx = New part,
 Neues teil,
 Nouvelle piece,
 Nueva pieza,
 Ny detalj**

REF.	PART NO.	DESCRIPTION	REMARK	QTY.	KIT
506 75 11-01	506751101	BLADE HOUSING ASSY	YTTRE.	1	
506 75 11-04	506751104	BLADE HOUSING ASSY	MITTEN.	1	
531 00 50-16	531005016	BELT		1	
506 67 54-01	506675401	SCREW EHHFM		1	
734 11 74-41	734117441	WASHER		1	
506 92 21-01	506922101	PULLEY		1	
738 22 04-19	738220419	BALL BEARING		1	
506 75 14-01	506751401	SPACER		1	
725 24 53-51	725245351	SCREW EHHM		1	
535 41 34-01	535413401	BEARING HOUSING		1	
506 53 35-01	506533501	PARALLEL KEY		1	
506 75 13-01	506751301	SHAFT		1	
734 11 64-01	734116401	WASHER		1	
506 51 87-01	506518701	DUST COVER		1	
535 41 37-01	535413701	ADAPTER		1	
531 00 50-09	531005009	BLADE		1	
506 79 23-01	506792301	KNIFE PLATE		1	
535 41 53-01	535415301	SCREW		1	
506 82 28-02	506822802	DECK SHELL ASSY		1	
506 78 97-01	506789701	LABEL		1	
506 75 13-04	506751304	SHAFT		1	
506 53 31-01	506533101	SPRING		1	
506 51 95-01	506519501	SPÄNNARM KPL.		1	
506 91 87-02	506918702	WASHER		1	
725 24 51-71	725245171	SCREW EHHM		1	
506 86 83-01	506868301	BRACKET		1	
732 21 18-01	732211801	LOCK NUT		1	
506 53 27-01	506532701	PULLEY		1	
734 11 64-41	734116441	WASHER		1	
506 55 83-02	506558302	SCREW EHHFT		1	
506 77 87-02	506778702	SPACER		1	
506 77 86-01	506778601	PULLEY		1	
531 00 50-15	531005015	BELT		1	
506 96 19-01	506961901	BELT COVER		1	
506 55 97-01	506559701	WASHER		1	
506 98 26-01	506982601	SCREW		1	

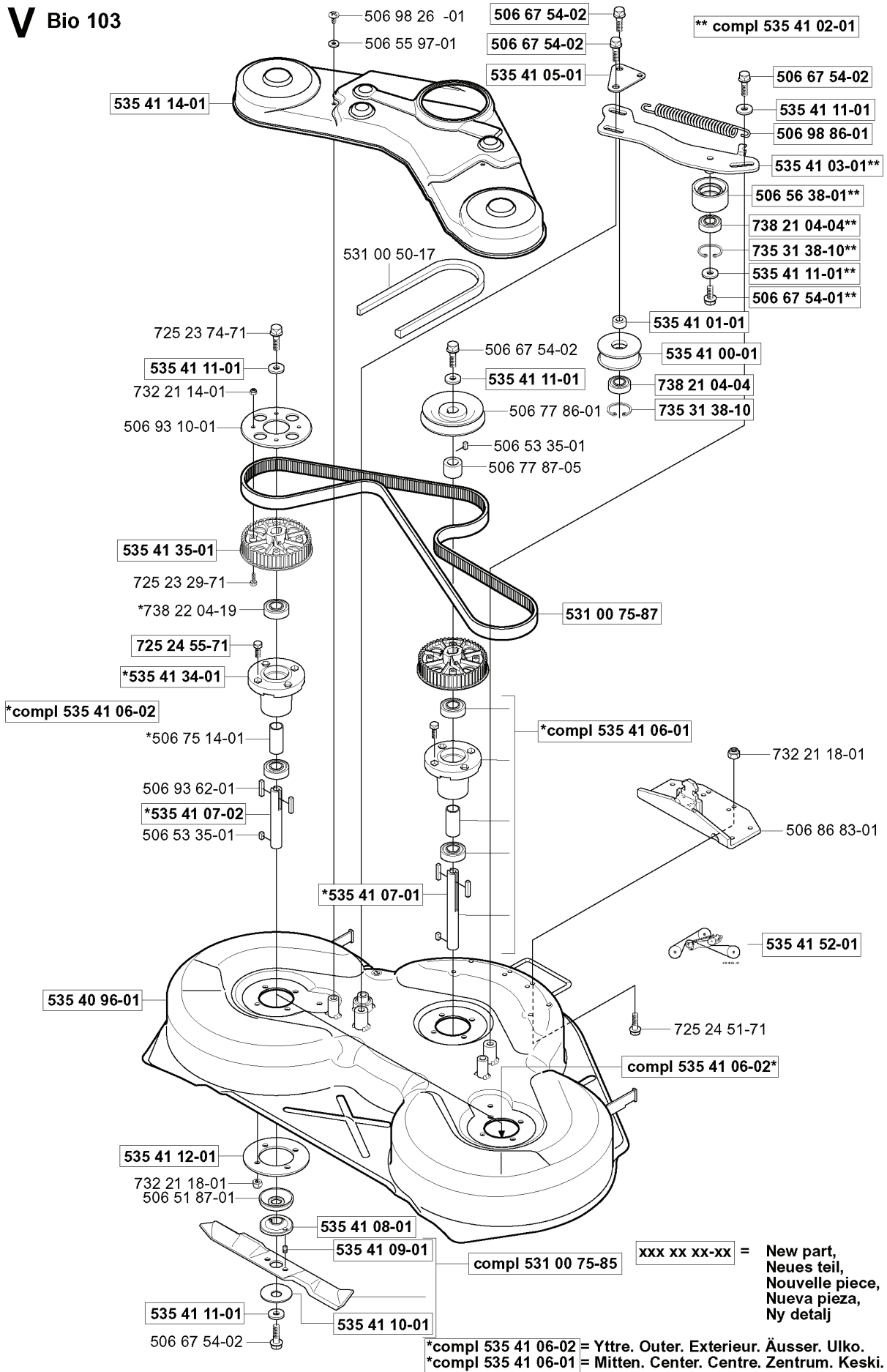
M

*** To be removed when fitting wheelweights.**



REF.	PART NO.	DESCRIPTION	REMARK	QTY.	KIT
506 92 16-01	506921601	BALL BEARING		1	
964 99 17-01	964991701	WHEEL WEIGHT	OPTION PF18	1	
506 57 43-01	506574301	VALVE ASSY		1	
506 86 48-01	506864801	PROTECTIVE COVER		1	
506 82 45-01	506824501	TIRE		1	
735 31 26-00	735312600	CIRCLIP		1	
506 89 00-01	506890001	HUB		1	
506 80 09-01	506800901	SLEEVE	TO BE REMOVED WHEN FITTING WHEELWEIGHTS.	1	
506 50 48-04	506504804	WASHER		1	
506 86 50-01	506865001	WHEEL NUT		1	
506 86 78-01	506867801	RIM		1	
735 31 22-00	735312200	CIRCLIP		1	
738 22 04-19	738220419	BALL BEARING		1	
506 89 02-01	506890201	BOLT		1	
506 89 01-01	506890101	HUB		1	
738 21 05-04	738210504	BALL BEARING		1	
506 89 06-01	506890601	WHEEL AXLE		1	
506 86 21-01	506862101	NUT		1	

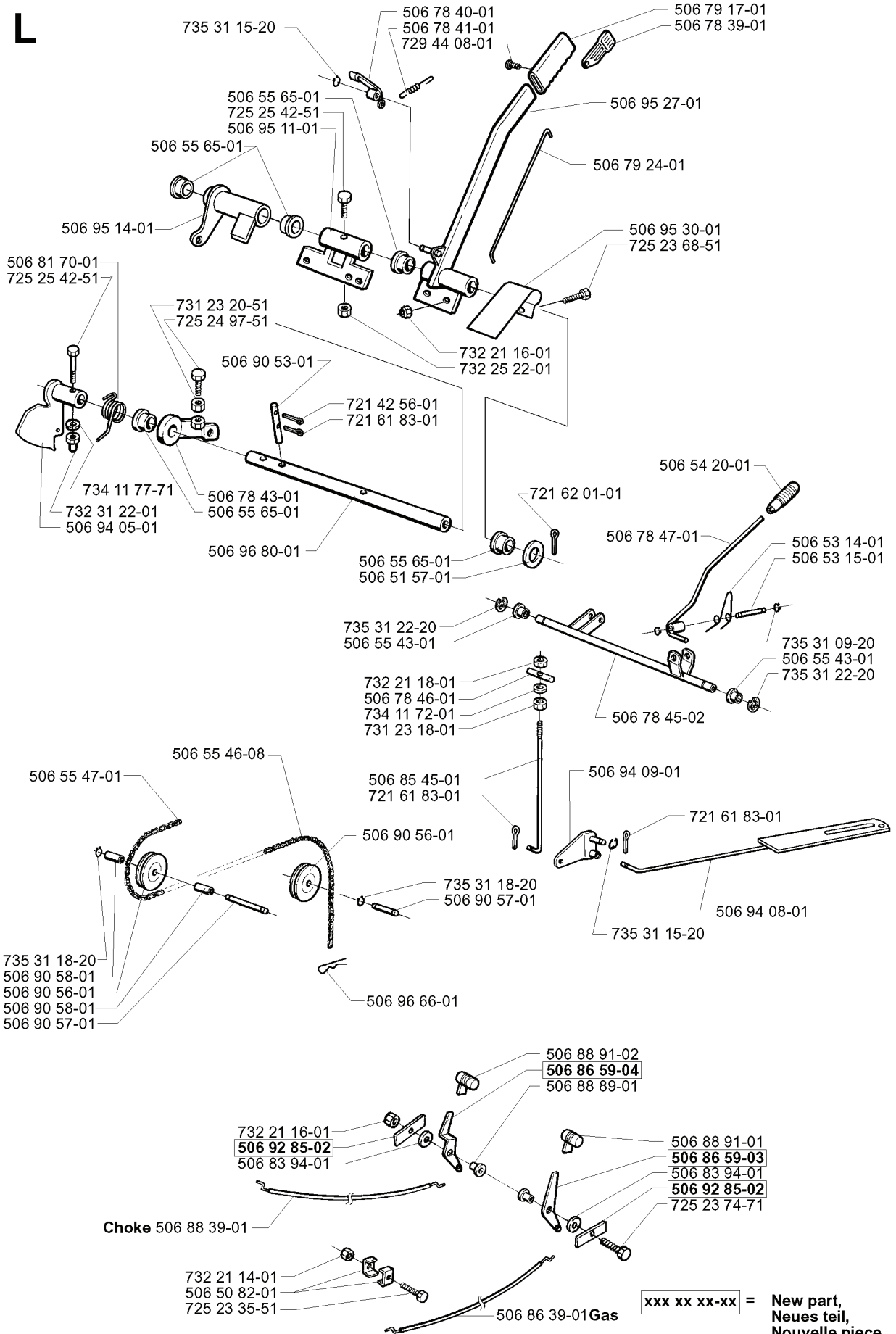
V Bio 103



REF.	PART NO.	DESCRIPTION	REMARK	QTY.	KIT
535 41 14-01	535411401	KUGGREMKA		1	
725 23 74-71	725237471	SCREW EHHM		1	
732 21 14-01	732211401	LOCK NUT		1	
506 93 10-01	506931001	FLANGE		1	
535 41 35-01	535413501	PULLEY		1	
725 23 29-71	725232971	SCREW EHHM		1	
738 22 04-19	738220419	BALL BEARING		1	
725 24 55-71	725245571	SCREW EHHM		1	
535 41 34-01	535413401	BEARING HOUSING		1	
506 75 14-01	506751401	SPACER		1	
506 93 62-01	506936201	WEDGE		1	
535 41 07-02	535410702	SHAFT		1	
506 53 35-01	506533501	PARALLEL KEY		1	
535 40 96-01	535409601	DECK SHELL ASSY		1	
535 41 12-01	535411201	REINFORCEMENT PLATE		1	
732 21 18-01	732211801	LOCK NUT		1	
506 51 87-01	506518701	DUST COVER		1	
535 41 10-01	535411001	CUP		1	
535 41 09-01	535410901	PIN		1	
535 41 08-01	535410801	ADAPTER		1	
535 41 07-01	535410701	SHAFT		1	
531 00 50-17	531005017	BELT		1	
506 55 97-01	506559701	WASHER		1	
506 98 26-01	506982601	SCREW		1	
535 41 05-01	535410501	LINK		1	
506 67 54-02	506675402	SCREW EHHFM		1	
506 77 86-01	506778601	PULLEY		1	
506 77 87-05	506778705	SPACER		1	
531 00 75-87	531007587	BELT		1	
531 00 75-85	531007585	BLADE		1	
535 41 06-02	535410602	BLADE HOUSING ASSY	YTTRE.	1	
535 41 06-01	535410601	BLADE HOUSING ASSY	MITTEN.	1	
725 24 51-71	725245171	SCREW EHHM		1	
535 41 52-01	535415201	DECAL		1	
506 86 83-01	506868301	BRACKET		1	
535 41 00-01	535410001	PULLEY		1	
535 41 01-01	535410101	SPACER		1	
506 67 54-01	506675401	SCREW EHHFM		1	
735 31 38-10	735313810	CIRCLIP		1	
738 21 04-04	738210404	BALL BEARING		1	
506 56 38-01	506563801	TENSION ROLLER		1	

REF.	PART NO.	DESCRIPTION	REMARK	QTY.	KIT
535 41 03-01	535410301	BELT TENSIONER ASSY		1	
506 98 86-01	506988601	SPRING		1	
535 41 11-01	535411101	WASHER		1	
535 41 02-01	535410201	BELT TENSIONER ASSY		1	

L

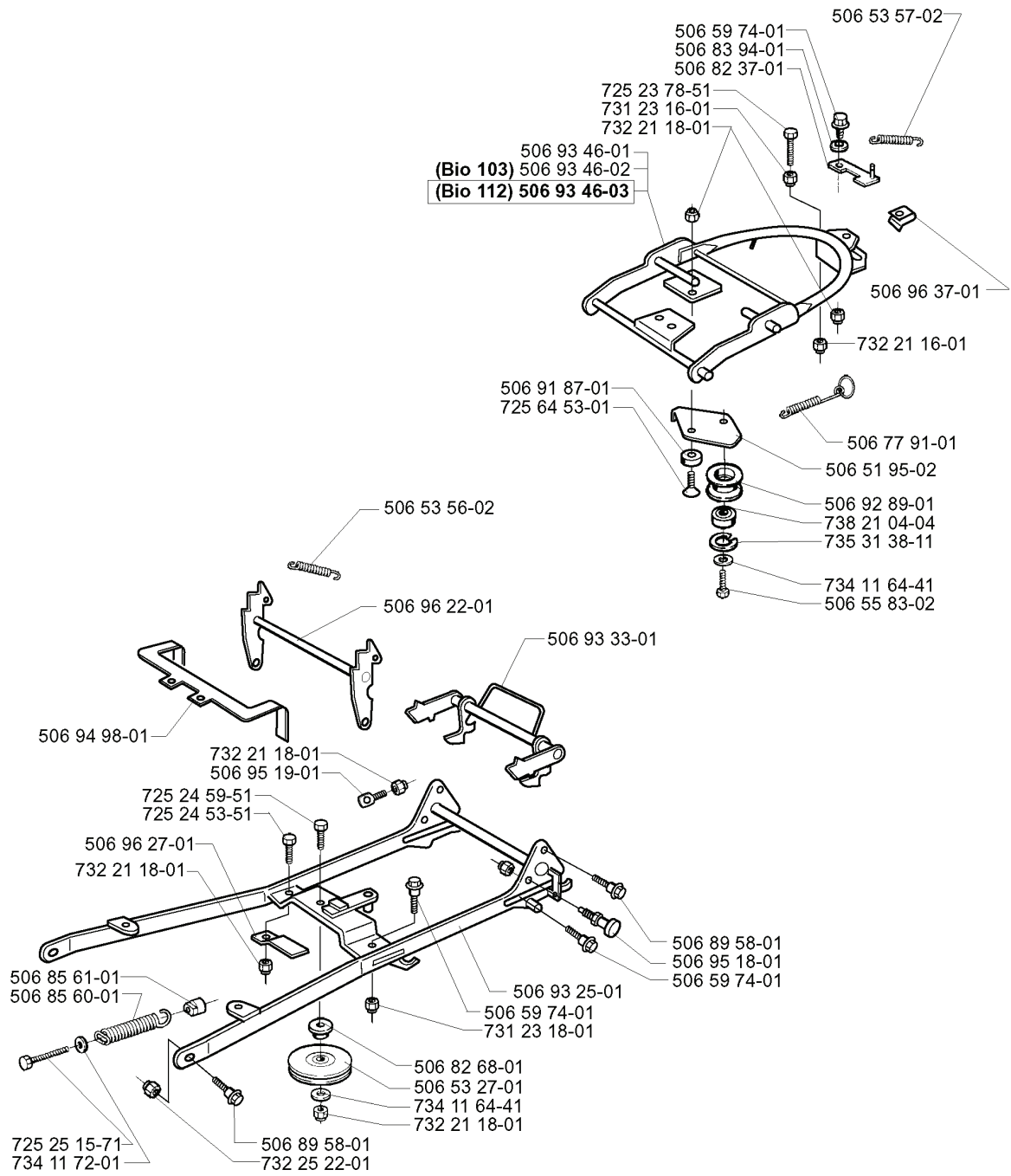


xxx xx xx-xx = New part,
Neues teil,
Nouvelle piece,
Nueva pieza,
Ny detalj

REF.	PART NO.	DESCRIPTION	REMARK	QTY.	KIT
506 81 70-01	506817001	SPRING		1	
725 25 42-51	725254251	SCREW EHHM		1	
734 11 77-71	734117771	WASHER		1	
732 31 22-01	732312201	CAP NUT		1	
506 94 05-01	506940501	LIFTING ARM		1	
506 55 47-01	506554701	LINKAGE		1	
506 90 58-01	506905801	TUBE SLEEVE		1	
506 90 57-01	506905701	SHAFT		1	
506 88 39-01	506883901	WIRE	CHOKE	1	
732 21 14-01	732211401	LOCK NUT		1	
506 50 82-01	506508201	CLIP		1	
725 23 35-51	725233551	SCREW EHHM		1	
506 86 39-01	506863901	THROTTLE CABLE ASSY	GAS	1	
506 92 85-02	506928502	LOCKWASHER		1	
506 96 66-01	506966601	HAIR PIN COTTER		1	
506 55 46-08	506554608	CHAIN		1	
506 96 80-01	506968001	SHAFT		1	
506 78 43-01	506784301	LINK ASSY		1	
506 90 53-01	506905301	PEN		1	
725 24 97-51	725249751	SCREW		1	
731 23 20-51	731232051	HEXAGON NUT		1	
506 95 14-01	506951401	ACTUATOR		1	
506 95 11-01	506951101	DRIVER ASSY		1	
506 55 65-01	506556501	BEARING		1	
735 31 15-20	735311520	E-CLIP		1	
506 78 40-01	506784001	HITCH		1	
506 78 41-01	506784101	SPRING		1	
729 44 08-01	729440801	SCREW SLCSRT		1	
732 21 16-01	732211601	LOCK NUT		1	
732 25 22-01	732252201	HEXAGON LOCKING NUT		1	
721 42 56-01	721425601	SPRING PIN		1	
506 51 57-01	506515701	WASHER		1	
735 31 22-20	735312220	E-CLIP		1	
732 21 18-01	732211801	LOCK NUT		1	
506 78 46-01	506784601	PEN		1	
734 11 72-01	734117201	WASHER		1	
731 23 18-01	731231801	HEXAGON NUT		1	
506 85 45-01	506854501	HEIGHT ROD		1	
506 90 56-01	506905601	OFFSET PULLEY		1	
735 31 18-20	735311820	E-CLIP		1	
506 88 91-02	506889102	KNOB		1	

REF.	PART NO.	DESCRIPTION	REMARK	QTY.	KIT
506 86 59-04	506865904	CONTROL		1	
506 88 89-01	506888901	BUSHING		1	
725 23 74-71	725237471	SCREW EHHM		1	
506 83 94-01	506839401	SPRING WASHER		1	
506 86 59-03	506865903	CONTROL		1	
506 88 91-01	506889101	KNOB		1	
506 94 08-01	506940801	CONNECTOR		1	
721 61 83-01	721618301	SPLIT PIN		1	
506 94 09-01	506940901	LÄNKPLÅT KPL		1	
506 78 45-02	506784502	CONTROL LEVER		1	
506 55 43-01	506554301	BEARING		1	
735 31 09-20	735310920	E-CLIP		1	
506 53 15-01	506531501	SHAFT		1	
506 53 14-01	506531401	SPRING		1	
506 78 47-01	506784701	REGLERSPAK KPL		1	
721 62 01-01	721620101	SPLIT PIN		1	
506 54 20-01	506542001	HANDLE		1	
725 23 68-51	725236851	SCREW		1	
506 95 30-01	506953001	PLATE SPRING		1	
506 79 24-01	506792401	THREAD		1	
506 95 27-01	506952701	LIFT LEVER CMPL		1	
506 78 39-01	506783901	BUTTON		1	
506 79 17-01	506791701	HANDLE		1	

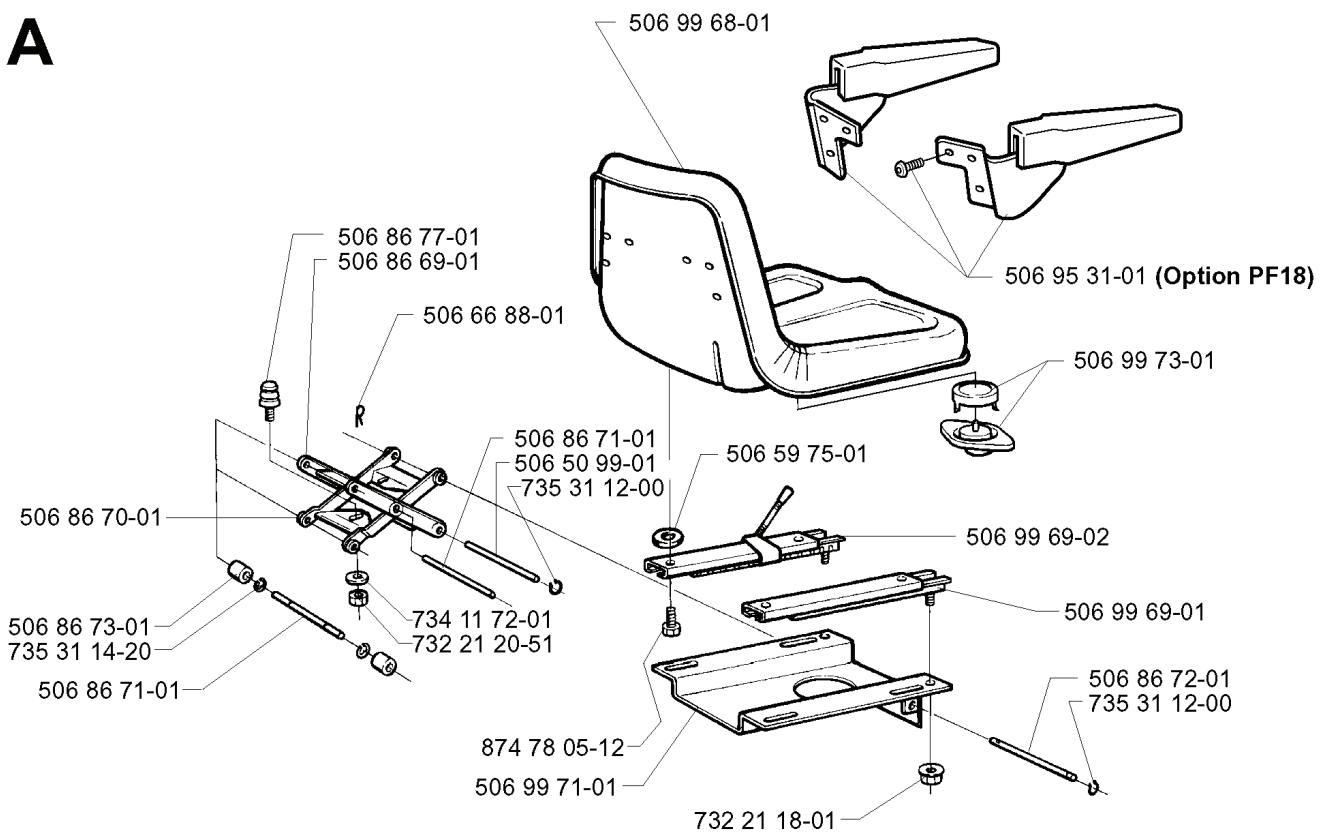
S



**xxx xx xx-xx = New part,
Neues teil,
Nouvelle piece,
Nueva pieza,
Ny detalj**

REF.	PART NO.	DESCRIPTION	REMARK	QTY.	KIT
506 94 98-01	506949801	RAMSTOPP		1	
506 95 19-01	506951901	PENDULUM		1	
725 24 59-51	725245951	SCREW EHHM		1	
725 24 53-51	725245351	SCREW EHHM		1	
506 96 27-01	506962701	BELT GUIDE		1	
506 85 61-01	506856101	NUT		1	
506 85 60-01	506856001	SPRING		1	
725 25 15-71	725251571	SCREW EHHM		1	
734 11 72-01	734117201	WASHER		1	
732 25 22-01	732252201	HEXAGON LOCKING NUT		1	
506 89 58-01	506895801	COLLAR SCREW		1	
734 11 64-41	734116441	WASHER		1	
506 53 27-01	506532701	PULLEY		1	
506 82 68-01	506826801	BUSHING		1	
731 23 18-01	731231801	HEXAGON NUT		1	
506 93 25-01	506932501	EQUIPMENT FRAME ASSY		1	
506 95 18-01	506951801	BOLT		1	
506 93 33-01	506933301	CATCH		1	
506 96 22-01	506962201	HOOK PROTECTION ASSY		1	
506 53 56-02	506535602	SPRING		1	
506 55 83-02	506558302	SCREW EHHFT		1	
735 31 38-11	735313811	CIRCLIP		1	
738 21 04-04	738210404	BALL BEARING		1	
506 92 89-01	506928901	PULLEY		1	
506 51 95-02	506519502	SPÄNNARM KPL.		1	
506 77 91-01	506779101	SPRING		1	
725 64 53-01	725645301	SCREW IHCSFM		1	
506 91 87-01	506918701	WASHER		1	
732 21 16-01	732211601	LOCK NUT		1	
506 96 37-01	506963701	LÅSDON		1	
506 93 46-03	506934603	DECK ATTACHMENT ASSY	BIO 112	1	
506 93 46-02	506934602	DECK ATTACHMENT ASSY	BIO 103	1	
506 93 46-01	506934601	DECK ATTACHMENT ASSY		1	
732 21 18-01	732211801	LOCK NUT		1	
731 23 16-01	731231601	HEXAGON NUT		1	
725 23 78-51	725237851	SCREW EHHM		1	
506 82 37-01	506823701	CATCH		1	
506 83 94-01	506839401	SPRING WASHER		1	
506 59 74-01	506597401	SCREW EHHFM		1	
506 53 57-02	506535702	SPRING		1	

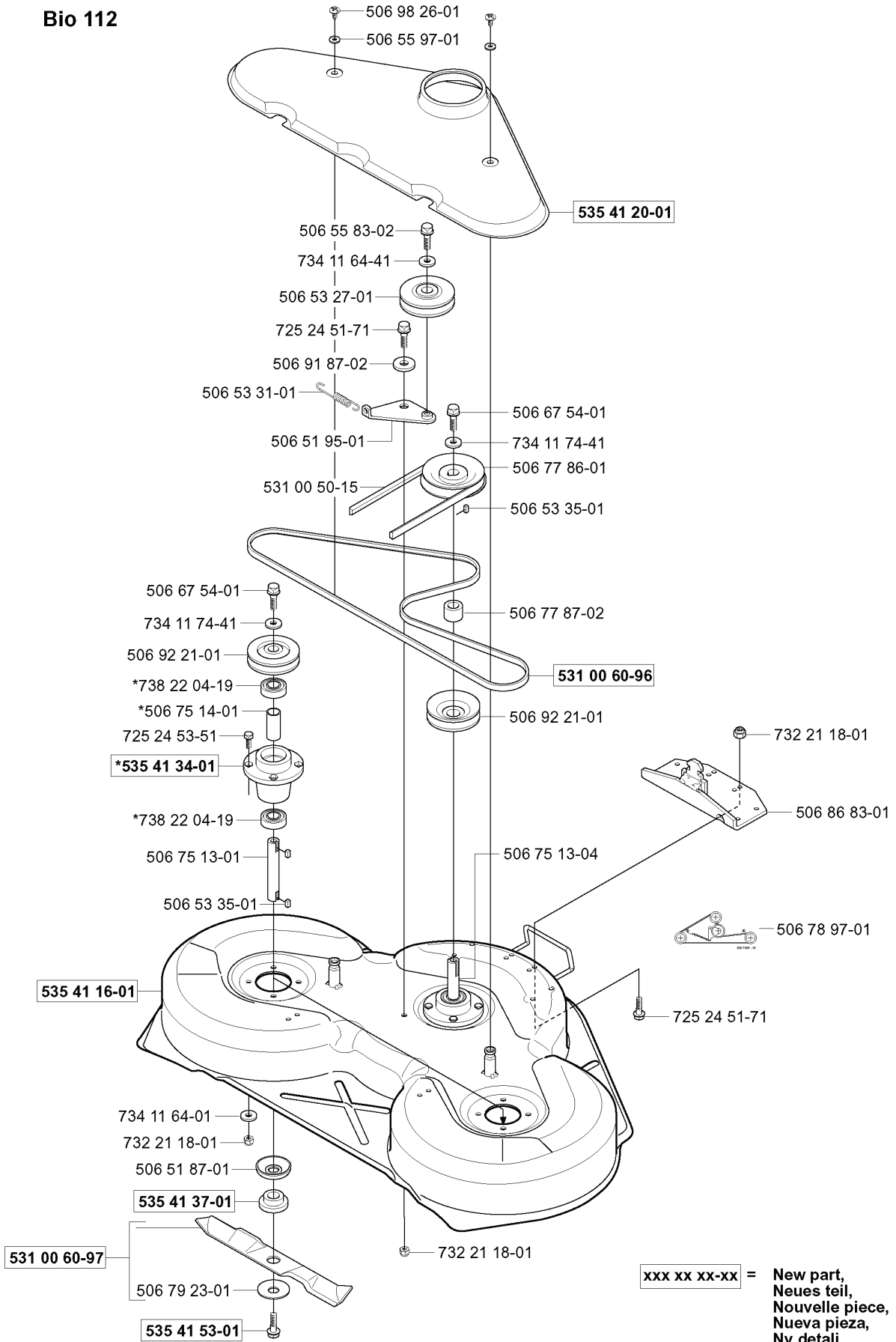
A



REF.	PART NO.	DESCRIPTION	REMARK	QTY.	KIT
506 86 70-01	506867001	INNERSAX		1	
506 86 73-01	506867301	ROLLER		1	
735 31 14-20	735311420	E-CLIP		1	
506 86 71-01	506867101	SHAFT		1	
506 99 71-01	506997101	SEAT BRACKET ASSY		1	
874 78 05-12	874780512	SCREW		1	
732 21 20-51	732212051	NUT		1	
734 11 72-01	734117201	WASHER		1	
735 31 12-00	735311200	CIRCLIP		1	
506 50 99-01	506509901	SHAFT		1	
506 66 88-01	506668801	SPRING COTTER		1	
506 86 69-01	506866901	YTTERSAX		1	
506 86 77-01	506867701	SÅTESFJÅDRING		1	
506 99 68-01	506996801	SEAT		1	
506 59 75-01	506597501	WASHER		1	
732 21 18-01	732211801	LOCK NUT		1	
506 86 72-01	506867201	SHAFT		1	
506 99 69-01	506996901	ADJUSTER		1	
506 99 69-02	506996902	ADJUSTER		1	
506 99 73-01	506997301	SWITCH		1	
506 95 31-01	506953101	ARM REST KIT	OPTION PF18	1	

X *compl 506 75 11-01 Yttre. Outer. Exterieur. Äusser. Ulko.
 *compl 506 75 11-04 Mitten. Centre. Centre. Zentrum. Keski.

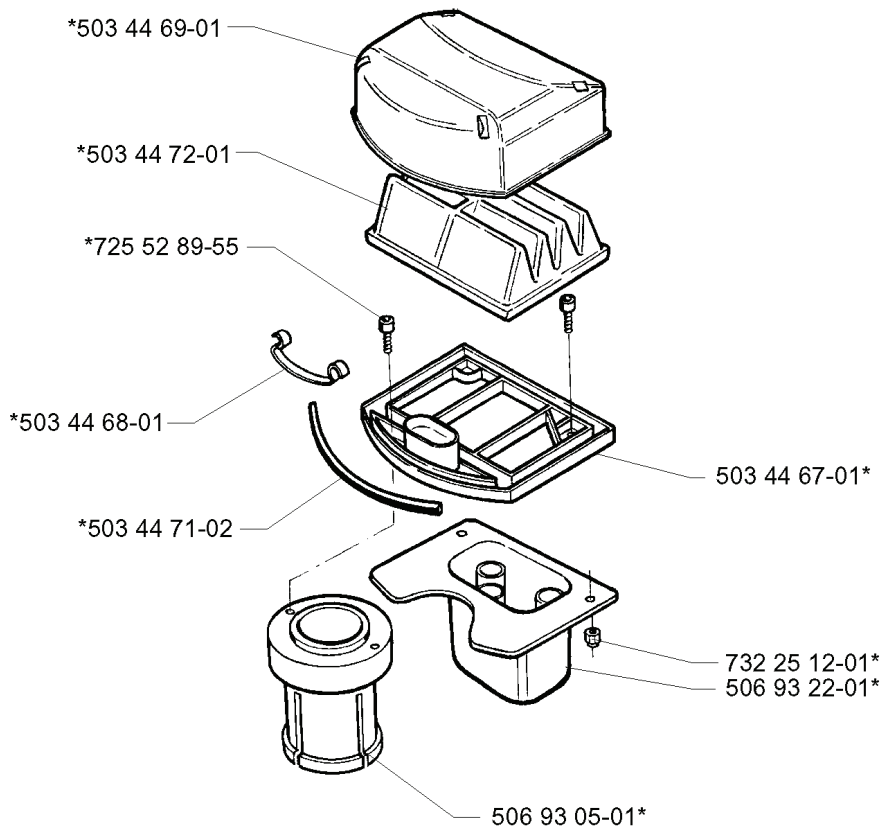
Bio 112



REF.	PART NO.	DESCRIPTION	REMARK	QTY.	KIT
506 75 11-01	506751101	BLADE HOUSING ASSY	YTTRE.	1	
506 75 11-04	506751104	BLADE HOUSING ASSY	MITTEN.	1	
506 98 26-01	506982601	SCREW		1	
506 55 97-01	506559701	WASHER		1	
506 55 83-02	506558302	SCREW EHHFT		1	
734 11 64-41	734116441	WASHER		1	
506 53 27-01	506532701	PULLEY		1	
725 24 51-71	725245171	SCREW EHHM		1	
506 91 87-02	506918702	WASHER		1	
506 53 31-01	506533101	SPRING		1	
506 51 95-01	506519501	SPÄNNARM KPL.		1	
531 00 50-15	531005015	BELT		1	
506 67 54-01	506675401	SCREW EHHFM		1	
734 11 74-41	734117441	WASHER		1	
506 92 21-01	506922101	PULLEY		1	
506 75 14-01	506751401	SPACER		1	
725 24 53-51	725245351	SCREW EHHM		1	
535 41 34-01	535413401	BEARING HOUSING		1	
738 22 04-19	738220419	BALL BEARING		1	
506 75 13-01	506751301	SHAFT		1	
506 53 35-01	506533501	PARALLEL KEY		1	
535 41 16-01	535411601	DECK SHELL ASSY		1	
734 11 64-01	734116401	WASHER		1	
506 51 87-01	506518701	DUST COVER		1	
535 41 37-01	535413701	ADAPTER		1	
531 00 60-97	531006097	BLADE		1	
506 79 23-01	506792301	KNIFE PLATE		1	
535 41 53-01	535415301	SCREW		1	
732 21 18-01	732211801	LOCK NUT		1	
506 78 97-01	506789701	LABEL		1	
506 86 83-01	506868301	BRACKET		1	
506 75 13-04	506751304	SHAFT		1	
589 51 46-01	589514601	BELT		1	
506 77 87-02	506778702	SPACER		1	
506 77 86-01	506778601	PULLEY		1	
535 41 20-01	535412001	BELTCOVER		1	

R

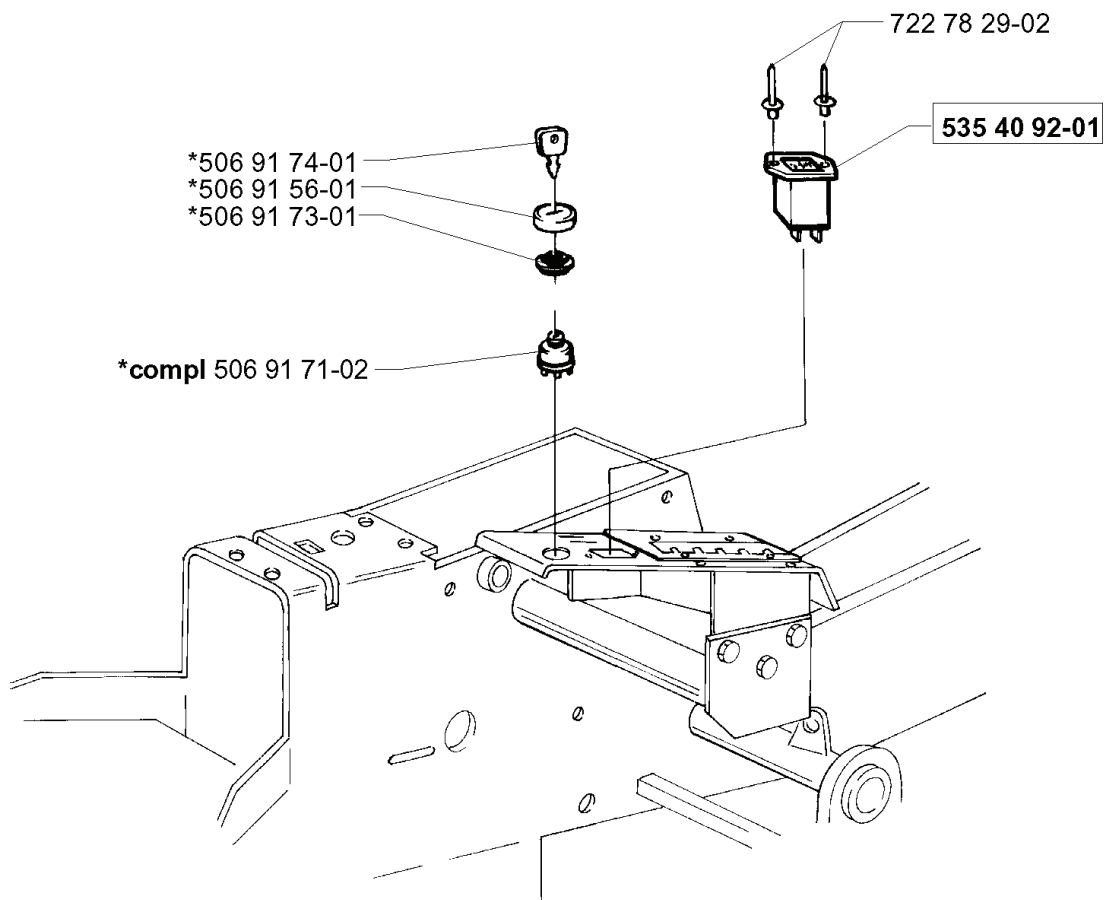
*compl 506 93 24-01



**xxx xx xx-xx = New part,
Neues teil,
Nouvelle piece,
Nueva pieza,
Ny detalj**

REF.	PART NO.	DESCRIPTION	REMARK	QTY.	KIT
506 93 24-01	506932401	FILTER		1	
503 44 69-01	503446901	FILTER HOLDER		1	
503 44 72-01	503447201	AIR FILTER		1	
725 52 89-55	725528955	SCREW IHSCM		1	
503 44 68-01	503446801	SPRING		1	
503 44 71-02	503447102	GASKET		1	
506 93 05-01	506930501	CONNECTION		1	
506 93 22-01	506932201	MUFFLER		1	
732 25 12-01	732251201	HEXAGON LOCKING NUT		1	
503 44 67-01	503446701	FILTER HOLDER		1	

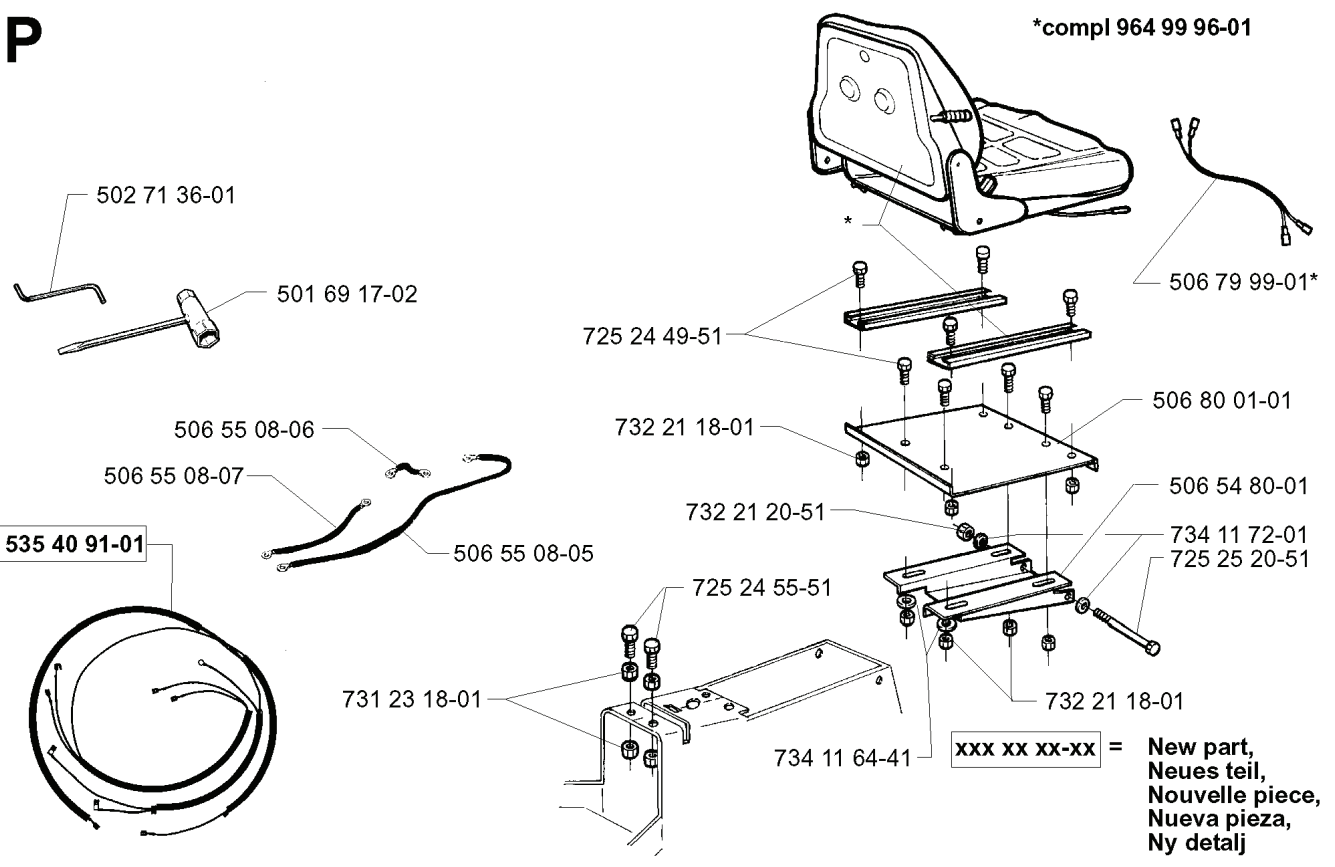
Q



REF.	PART NO.	DESCRIPTION	REMARK	QTY.	KIT
506 91 74-01	506917401	KEY		1	
506 91 56-01	506915601	PROTECTION		1	
506 91 73-01	506917301	NUT		1	
506 91 71-02	506917102	IGNITION LOCK		1	
535 40 92-01	535409201	HOUR METER		1	
722 78 29-02	722782902	BLIND RIVET		1	

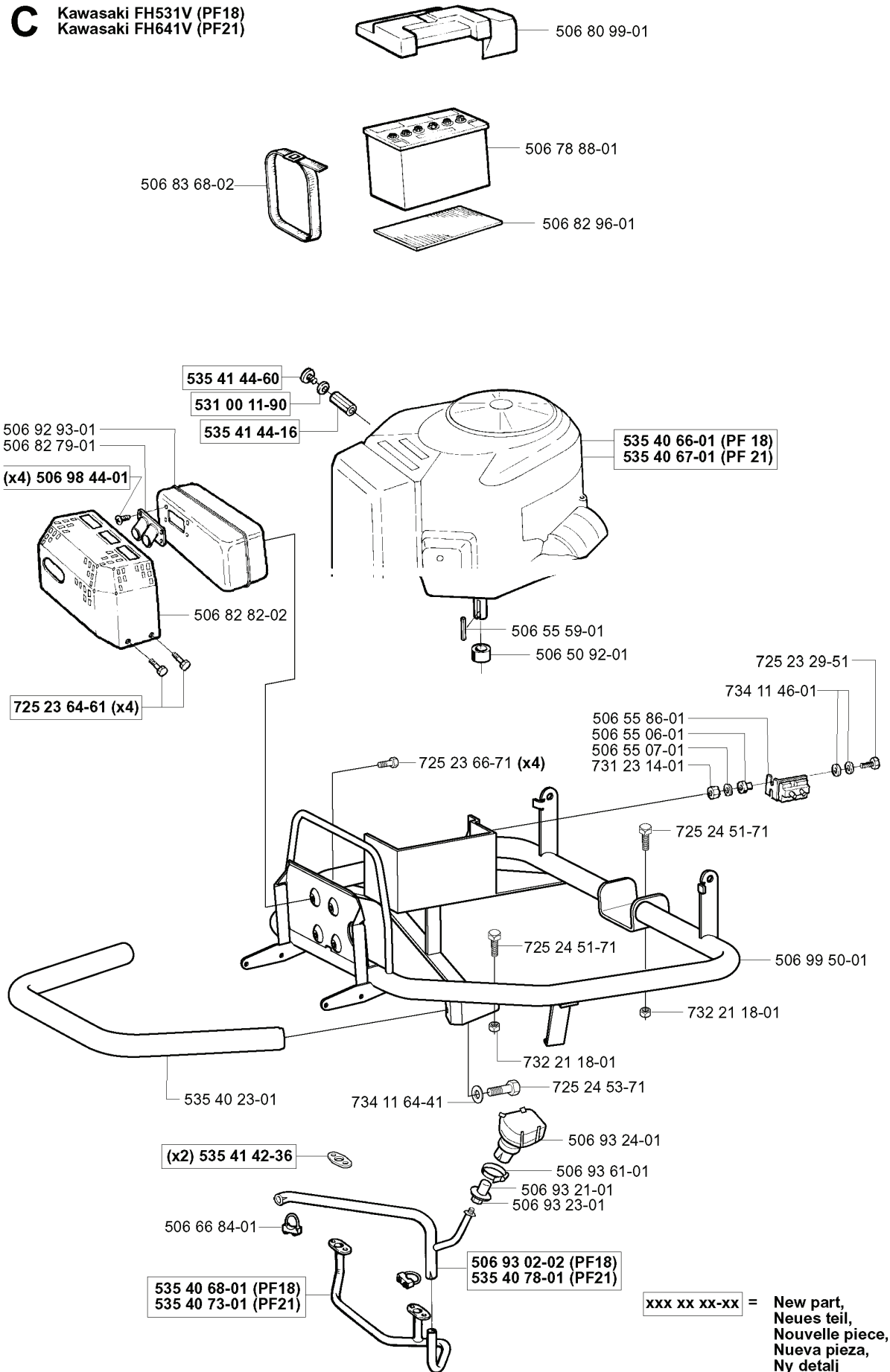
P

*compl 964 99 96-01



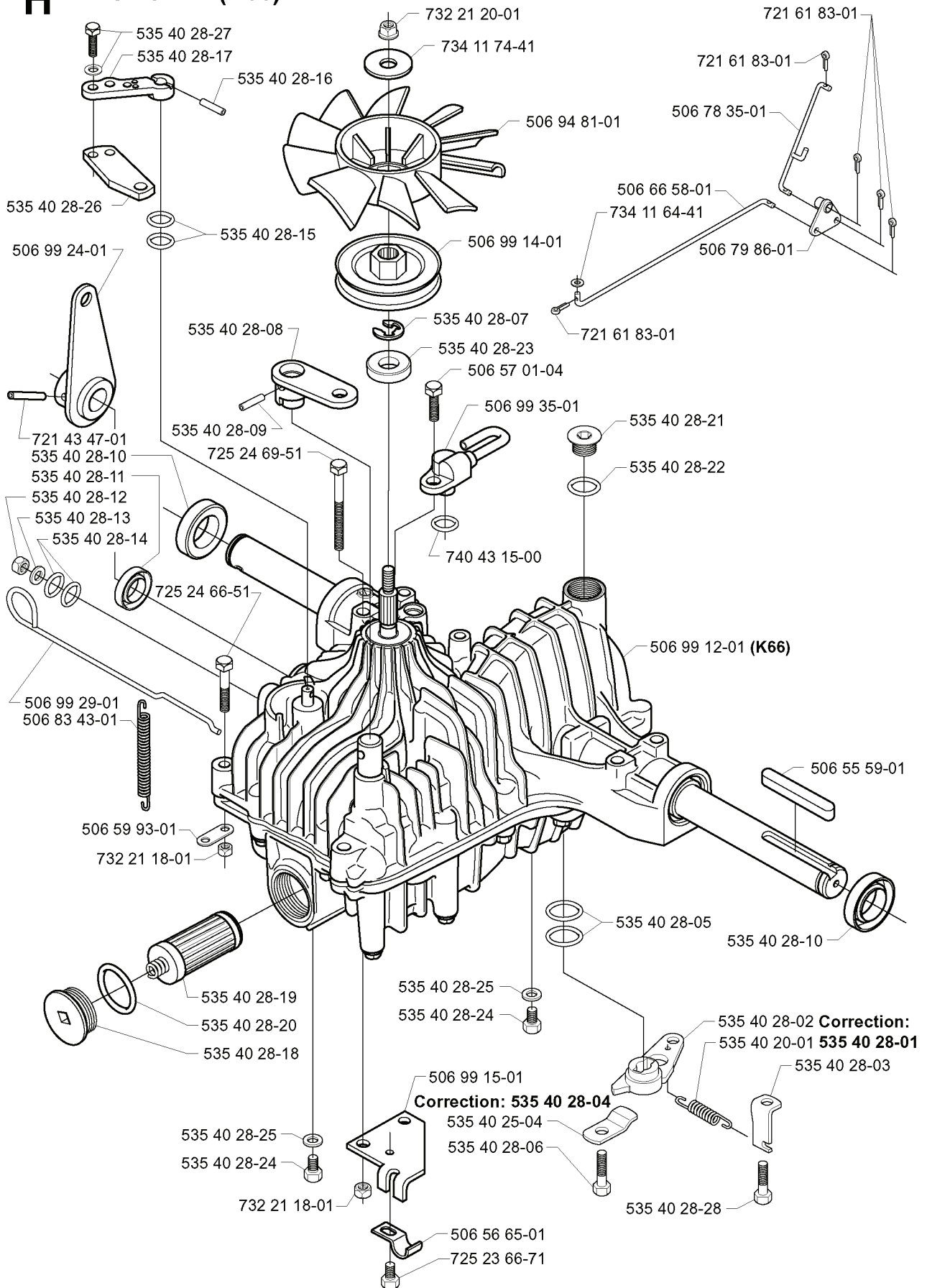
REF.	PART NO.	DESCRIPTION	REMARK	QTY.	KIT
502 71 36-01	502713601	SPANNER		1	
501 69 17-02	501691702	COMBINATION WRENCH		1	
506 55 08-06	506550806	STARTKABEL BATT-RELÄ		1	
506 55 08-07	506550807	STARTKABEL RELÄ-MOTO		1	
535 40 91-01	535409101	WIRING		1	
731 23 18-01	731231801	HEXAGON NUT		1	
506 55 08-05	506550805	STARTKABEL BATT-JORD		1	
725 24 49-51	725244951	SCREW		1	
732 21 20-51	732212051	NUT		1	
725 24 55-51	725245551	SCREW		1	
734 11 64-41	734116441	WASHER		1	
732 21 18-01	732211801	LOCK NUT		1	
725 25 20-51	725252051	SCREW EHHM		1	
734 11 72-01	734117201	WASHER		1	
506 54 80-01	506548001	SEAT BRACKET ASSY		1	
506 80 01-01	506800101	ATTACHMENT PLATE		1	
506 79 99-01	506799901	WIRING		1	
964 99 96-01	964999601	TECHNICAL SPECIFICATION		1	

C Kawasaki FH531V (PF18)
Kawasaki FH641V (PF21)



REF.	PART NO.	DESCRIPTION	REMARK	QTY.	KIT
506 83 68-02	506836802	BELT		1	
535 41 44-60	535414460	PLUG		1	
531 00 11-90	531001190	O-RING		1	
535 41 44-16	535414416	JOINT		1	
506 92 93-01	506929301	MUFFLER		1	
506 82 79-01	506827901	DEFLECTOR		1	
506 98 44-01	506984401	SCREW		4	
506 82 82-02	506828202	BRÄNNSKYDD KPL CAT		1	
725 23 64-61	725236461	SCREW EHHFT		4	
535 40 23-01	535402301	HAND GUARD		1	
535 41 42-36	535414236	GASKET		2	
506 66 84-01	506668401	CLAMP ASSY		1	
535 40 68-01	535406801	GRENÖR KPL.	PF18	1	
535 40 73-01	535407301	GRENÖR KPL.	PF21	1	
535 40 78-01	535407801	EXHAUST PIPE ASSY	PF21	1	
506 93 02-02	506930202	EXHAUST PIPE ASSY	PF18	1	
506 93 23-01	506932301	VALVE		1	
506 93 21-01	506932101	HOSE		1	
506 93 61-01	506936101	CLIP		1	
506 93 24-01	506932401	FILTER		1	
734 11 64-41	734116441	WASHER		1	
725 24 53-71	725245371	SCREW EHHM		1	
725 24 51-71	725245171	SCREW EHHM		1	
725 23 66-71	725236671	SCREW EHHM		4	
506 50 92-01	506509201	SPACING SLEEVE		1	
506 55 59-01	506555901	WEDGE		1	
535 40 67-01	535406701	MOTOR	PF 21	1	
535 40 66-01	535406601	MOTOR	PF 18	1	
506 82 96-01	506829601	BATTERY MAT		1	
506 78 88-01	506788801	BATTERY		1	
506 80 99-01	506809901	BATTERY COVER		1	
725 23 29-51	725232951	SCREW		1	
734 11 46-01	734114601	WASHER		1	
506 55 86-01	506558601	RELAY		1	
506 55 06-01	506550601	PLUG		1	
506 55 07-01	506550701	INSULATING WASHER		1	
731 23 14-01	731231401	HEXAGON NUT		1	
506 99 50-01	506995001	MOTOR FRAME		1	
732 21 18-01	732211801	LOCK NUT		1	

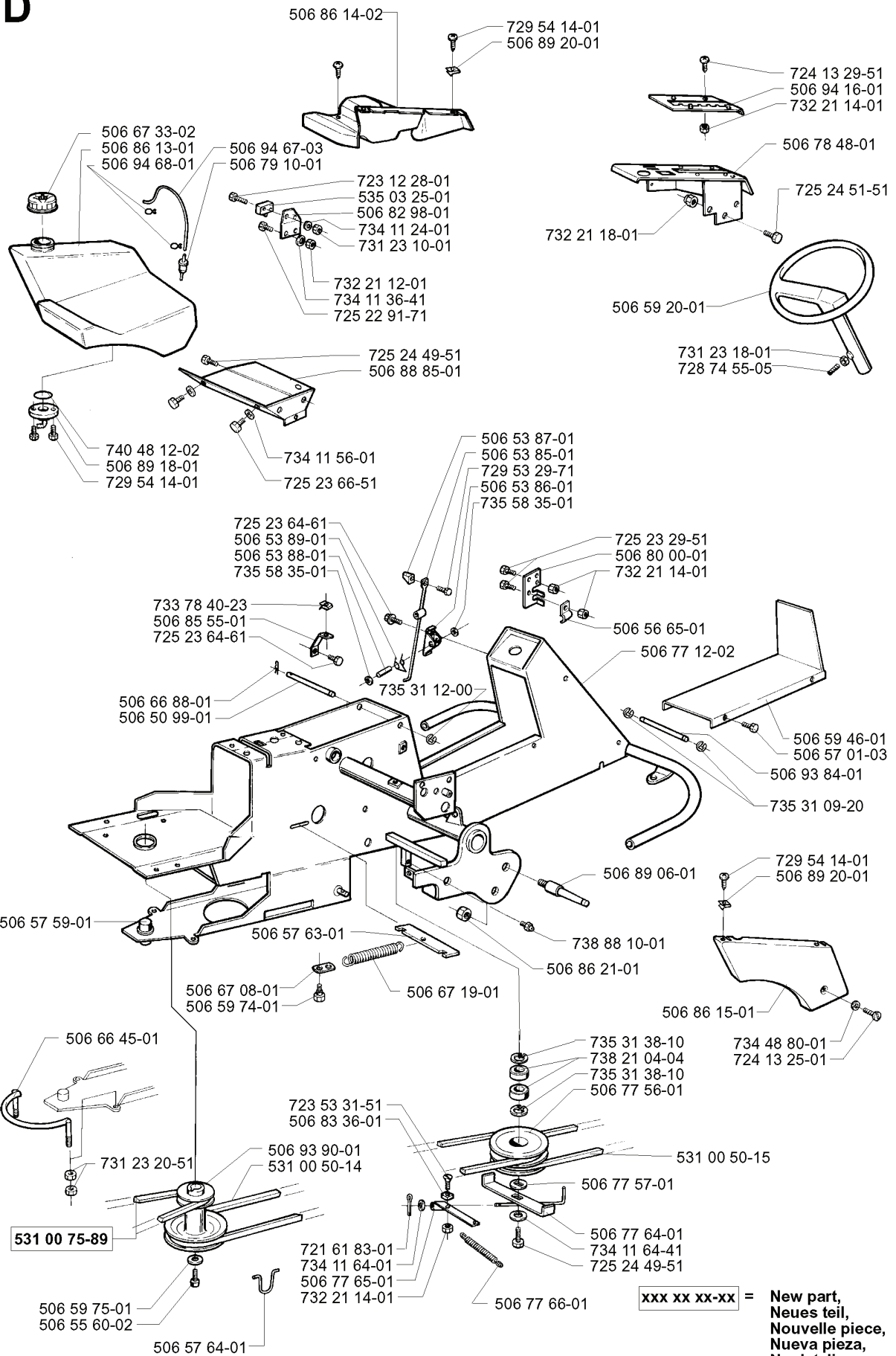
H ProFlex 21 (K66)



REF.	PART NO.	DESCRIPTION	REMARK	QTY.	KIT
535 40 28-27	535402827	BOLT		1	
535 40 28-17	535402817	LEVER		1	
535 40 28-16	535402816	PIN RETAINING SCREW		1	
535 40 28-26	535402826	LEVER		1	
506 99 24-01	506992401	LEVER		1	
721 43 47-01	721434701	SPRING PIN		1	
535 40 28-11	535402811	SEALING		1	
535 40 28-12	535402812	NUT		1	
535 40 28-13	535402813	WASHER		1	
535 40 28-14	535402814	O-RING		1	
725 24 66-51	725246651	SCREW		1	
506 99 29-01	506992901	FRIKOPPLINGSSTÅNG		1	
506 83 43-01	506834301	SPRING		1	
506 59 93-01	506599301	LINK		1	
535 40 28-19	535402819	FILTER		1	
535 40 28-20	535402820	O-RING		1	
535 40 28-18	535402818	COVER		1	
535 40 28-24	535402824	BOLT		1	
732 21 18-01	732211801	LOCK NUT		1	
725 23 66-71	725236671	SCREW EHHM		1	
506 56 65-01	506566501	CLIP		1	
535 40 28-06	535402806	SCREW		1	
535 40 25-04	535402504	BRACKET		1	
535 40 28-04	535402804	HOLDER	CORRECTION:	1	
506 99 15-01	506991501	BRACKET		1	
535 40 28-25	535402825	WASHER		1	
725 24 69-51	725246951	SCREW EHHM		1	
535 40 28-09	535402809	PIN RETAINING SCREW		1	
535 40 28-08	535402808	BRAKE LEVER		1	
535 40 28-15	535402815	O-RING		1	
734 11 74-41	734117441	WASHER		1	
732 21 20-01	732212001	LOCK NUT		1	
506 94 81-01	506948101	FAN		1	
506 99 14-01	506991401	PULLEY		1	
535 40 28-07	535402807	CLIP		1	
535 40 28-23	535402823	SEALING		1	
506 57 01-04	506570104	SCREW EHHFM		1	
506 99 35-01	506993501	HOSE CLAMP		1	
740 43 15-00	740431500	O-RING		1	
535 40 28-28	535402828	SCREW		1	
535 40 28-03	535402803	PAWL		1	

REF.	PART NO.	DESCRIPTION	REMARK	QTY.	KIT
535 40 28-01	535402801	SPRING	CORRECTION:	1	
535 40 20-01	535402001	WIRING		1	
535 40 28-02	535402802	LEVER		1	
535 40 28-10	535402810	SEALING		1	
535 40 28-05	535402805	O-RING		1	
506 55 59-01	506555901	WEDGE		1	
506 99 12-01	506991201	TRANSMISSION	K66	1	
535 40 28-22	535402822	O-RING		1	
535 40 28-21	535402821	COVER		1	
506 79 86-01	506798601	LÄNK KOPPLING KPL.		1	
734 11 64-41	734116441	WASHER		1	
506 66 58-01	506665801	CLUTCH ROD REAR		1	
506 78 35-01	506783501	CONNECTION ROD		1	
721 61 83-01	721618301	SPLIT PIN		1	

D

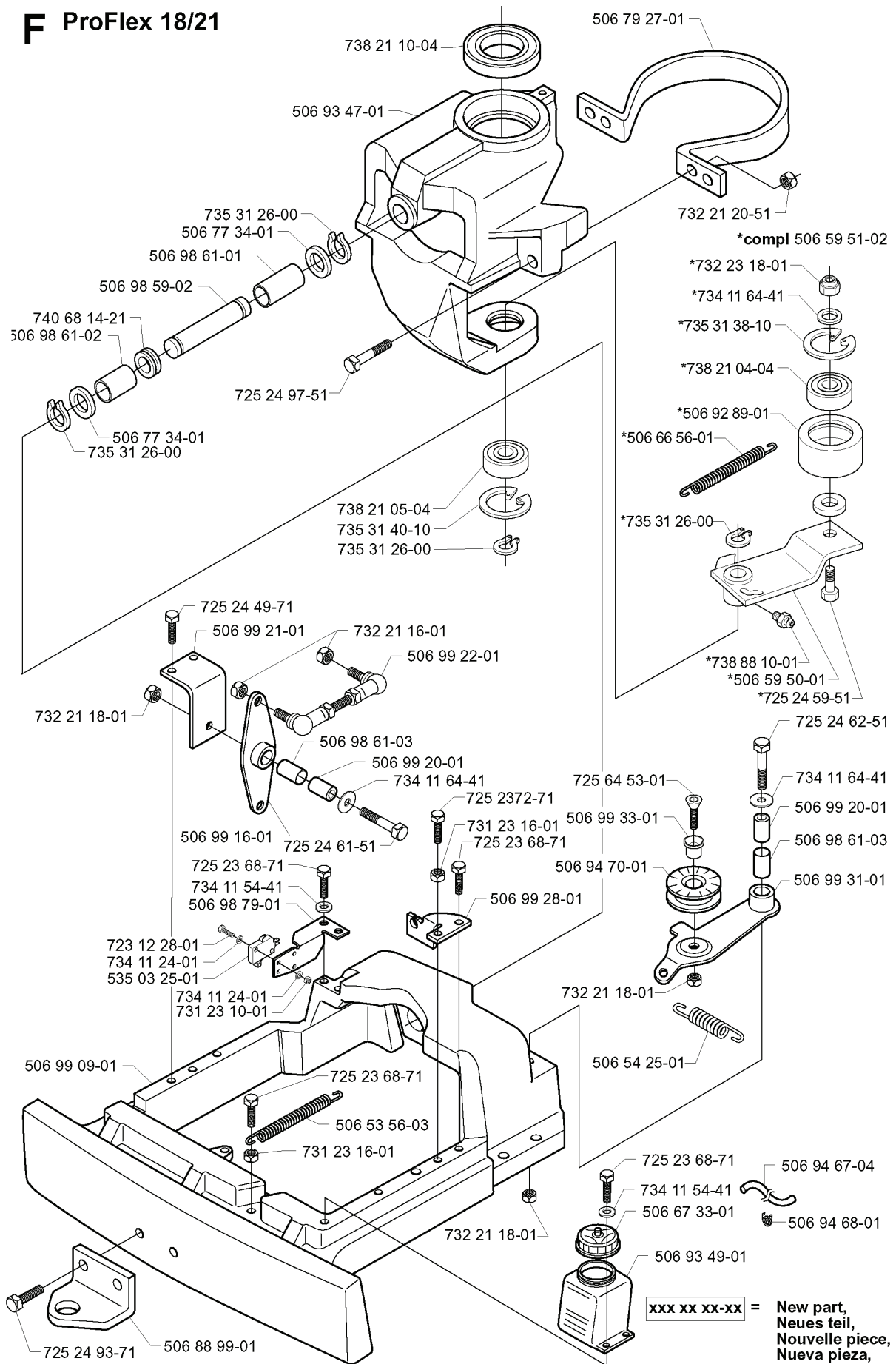


REF.	PART NO.	DESCRIPTION	REMARK	QTY.	KIT
506 67 33-02	506673302	TANK CAP ASSY		1	
506 86 13-01	506861301	FUEL TANK		1	
506 94 68-01	506946801	TRÅDKLÄMMA		1	
740 48 12-02	740481202	O-RING		1	
506 89 18-01	506891801	CONNECTION		1	
733 78 40-23	733784023	QUICK-ACTING LOCK NUT		1	
506 85 55-01	506855501	BRACKET		1	
725 23 64-61	725236461	SCREW EHHFT		1	
506 66 88-01	506668801	SPRING COTTER		1	
506 50 99-01	506509901	SHAFT		1	
506 57 59-01	506575901	PIVOT		1	
506 66 45-01	506664501	BELT GUIDE		1	
731 23 20-51	731232051	HEXAGON NUT		1	
531 00 75-89	531007589	BELT		1	
506 59 75-01	506597501	WASHER		1	
506 55 60-02	506556002	SCREW UNC		1	
506 57 64-01	506576401	CABLE HOLDER		1	
732 21 14-01	732211401	LOCK NUT		1	
506 77 65-01	506776501	ARM		1	
734 11 64-01	734116401	WASHER		1	
721 61 83-01	721618301	SPLIT PIN		1	
531 00 50-14	531005014	BELT		1	
506 93 90-01	506939001	PULLEY		1	
506 83 36-01	506833601	BRAKE LINING		1	
723 53 31-51	723533151	SCREW SLCSFM		1	
506 59 74-01	506597401	SCREW EHHFM		1	
506 67 08-01	506670801	LINK		1	
506 57 63-01	506576301	SPRING RETAINER		1	
506 53 88-01	506538801	SHAFT		1	
506 53 89-01	506538901	SPRING		1	
725 23 66-51	725236651	HEXAGONAL SCREW M6X12		1	
734 11 56-01	734115601	WASHER		1	
506 88 85-01	506888501	BRACKET		1	
725 22 91-71	725229171	SCREW EHHM		1	
734 11 36-41	734113641	WASHER		1	
732 21 12-01	732211201	LOCK NUT		1	
731 23 10-01	731231001	HEXAGON NUT		1	
734 11 24-01	734112401	WASHER		1	
506 82 98-01	506829801	BRACKET		1	
535 03 25-01	535032501	SWITCH		1	
723 12 28-01	723122801	SCREW SLCHM		1	

REF.	PART NO.	DESCRIPTION	REMARK	QTY.	KIT
506 79 10-01	506791001	FUEL FILTER		1	
506 94 67-03	506946703	FUEL HOSE		1	
506 86 14-02	506861402	COVER		1	
729 54 14-01	729541401	SCREW CRPANT		1	
506 53 87-01	506538701	CONTROL BUTTON		1	
506 53 85-01	506538501	LOCKING ARM		1	
729 53 29-71	729532971	SCREW CRPANT		1	
506 53 86-01	506538601	BRACKET		1	
735 58 35-01	735583501	WASHER		1	
735 31 12-00	735311200	CIRCLIP		1	
506 67 19-01	506671901	SPRING		1	
506 77 66-01	506776601	SPRING		1	
725 24 49-51	725244951	SCREW		1	
734 11 64-41	734116441	WASHER		1	
506 77 64-01	506776401	CONSOLE		1	
506 77 57-01	506775701	WASHER		1	
531 00 50-15	531005015	BELT		1	
506 77 56-01	506775601	MELLANHJUL		1	
738 21 04-04	738210404	BALL BEARING		1	
735 31 38-10	735313810	CIRCLIP		1	
724 13 25-01	724132501	SCREW CRPANM		1	
734 48 80-01	734488001	WASHER		1	
506 86 15-01	506861501	COVER		1	
506 86 21-01	506862101	NUT		1	
738 88 10-01	738881001	LUBRICATION NIPPLE		1	
506 89 06-01	506890601	WHEEL AXLE		1	
506 89 20-01	506892001	SPEED NUT		1	
735 31 09-20	735310920	E-CLIP		1	
506 93 84-01	506938401	SHAFT		1	
506 57 01-03	506570103	SCREW EHHFM		1	
506 59 46-01	506594601	LOCK GOLVTUNNEL		1	
506 77 12-02	506771202	FRAME		1	
506 56 65-01	506566501	CLIP		1	
506 80 00-01	506800001	BRACKET		1	
725 23 29-51	725232951	SCREW		1	
728 74 55-05	728745505	SCREW IHSETM		1	
731 23 18-01	731231801	HEXAGON NUT		1	
506 59 20-01	506592001	STEERING WHEEL		1	
732 21 18-01	732211801	LOCK NUT		1	
725 24 51-51	725245151	SCREW		1	
506 78 48-01	506784801	CONTROL PLATE		1	

REF.	PART NO.	DESCRIPTION	REMARK	QTY.	KIT
506 94 16- 01	506941601	KULLISSPLÅT		1	
724 13 29- 51	724132951	SCREW CRPANM		1	

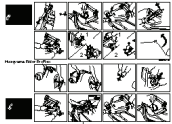
F ProFlex 18/21



REF.	PART NO.	DESCRIPTION	REMARK	QTY.	KIT
738 21 10-04	738211004	BALL BEARING		1	
506 93 47-01	506934701	SPINDLE		1	
735 31 26-00	735312600	CIRCLIP		1	
506 98 61-01	506986101	GLIDLAGER		1	
506 98 59-02	506985902	SHAFT		1	
740 68 14-21	740681421	V-RING		1	
506 98 61-02	506986102	GLIDLAGER		1	
506 77 34-01	506773401	WASHER		1	
725 24 97-51	725249751	SCREW		1	
738 21 05-04	738210504	BALL BEARING		1	
735 31 40-10	735314010	CIRCLIP		1	
725 24 49-71	725244971	SCREW EHHM		1	
506 99 21-01	506992101	LEVER		1	
732 21 16-01	732211601	LOCK NUT		1	
506 99 22-01	506992201	ADJUSTMENT ROD		1	
506 99 16-01	506991601	LEVER		1	
725 24 61-51	725246151	SCREW EHHM		1	
506 98 79-01	506987901	BRACKET		1	
723 12 28-01	723122801	SCREW SLCHM		1	
535 03 25-01	535032501	SWITCH		1	
734 11 24-01	734112401	WASHER		1	
731 23 10-01	731231001	HEXAGON NUT		1	
506 99 09-01	506990901	HST-KONSOL K62/66		1	
725 24 93-71	725249371	SCREW EHHM		1	
506 88 99-01	506889901	HITCH		1	
731 23 16-01	731231601	HEXAGON NUT		1	
506 53 56-03	506535603	DRAW SPRING		1	
732 21 18-01	732211801	LOCK NUT		1	
506 93 49-01	506934901	HYDROSTATANK		1	
506 67 33-01	506673301	TANK CAP ASSY		1	
734 11 54-41	734115441	WASHER		1	
725 23 68-71	725236871	SCREW EHHM		1	
506 54 25-01	506542501	SPRING		1	
506 99 28-01	506992801	BRACKET		1	
506 94 70-01	506947001	BELT TENSIONER WHEEL		1	
506 99 33-01	506993301	SLEEVE		1	
725 64 53-01	725645301	SCREW IHCSFM		1	
725 23 72-71	725237271	SCREW EHHM		1	
506 94 68-01	506946801	TRÅDKLÄMMA		1	
506 94 67-04	506946704	FUEL HOSE		1	
506 99 31-01	506993101	BELT TENSIONER ASSY		1	

REF.	PART NO.	DESCRIPTION	REMARK	QTY.	KIT
506 98 61-03	506986103	BUSHING		1	
506 99 20-01	506992001	PIPE		1	
734 11 64-41	734116441	WASHER		1	
725 24 62-51	725246251	SCREW EHHM		1	
725 24 59-51	725245951	SCREW EHHM		1	
506 59 50-01	506595001	LEVER		1	
738 88 10-01	738881001	LUBRICATION NIPPLE		1	
506 66 56-01	506665601	SPRING		1	
506 92 89-01	506928901	PULLEY		1	
738 21 04-04	738210404	BALL BEARING		1	
735 31 38-10	735313810	CIRCLIP		1	
732 23 18-01	732231801	LOCKNUT		1	
506 59 51-02	506595102	REMSP. KNIVDRIVNING		1	
732 21 20-51	732212051	NUT		1	
506 79 27-01	506792701	STYRKANS		1	

N



506 97 97-01



Decal kit

531 00 65-78

 **Husqvarna**

506 94 30-01



506 94 27-01

Warning

506 94 48-01

ProFlex

506 99 74-01

535 40 95-02 (PF18)

535 40 95-04 (PF21)

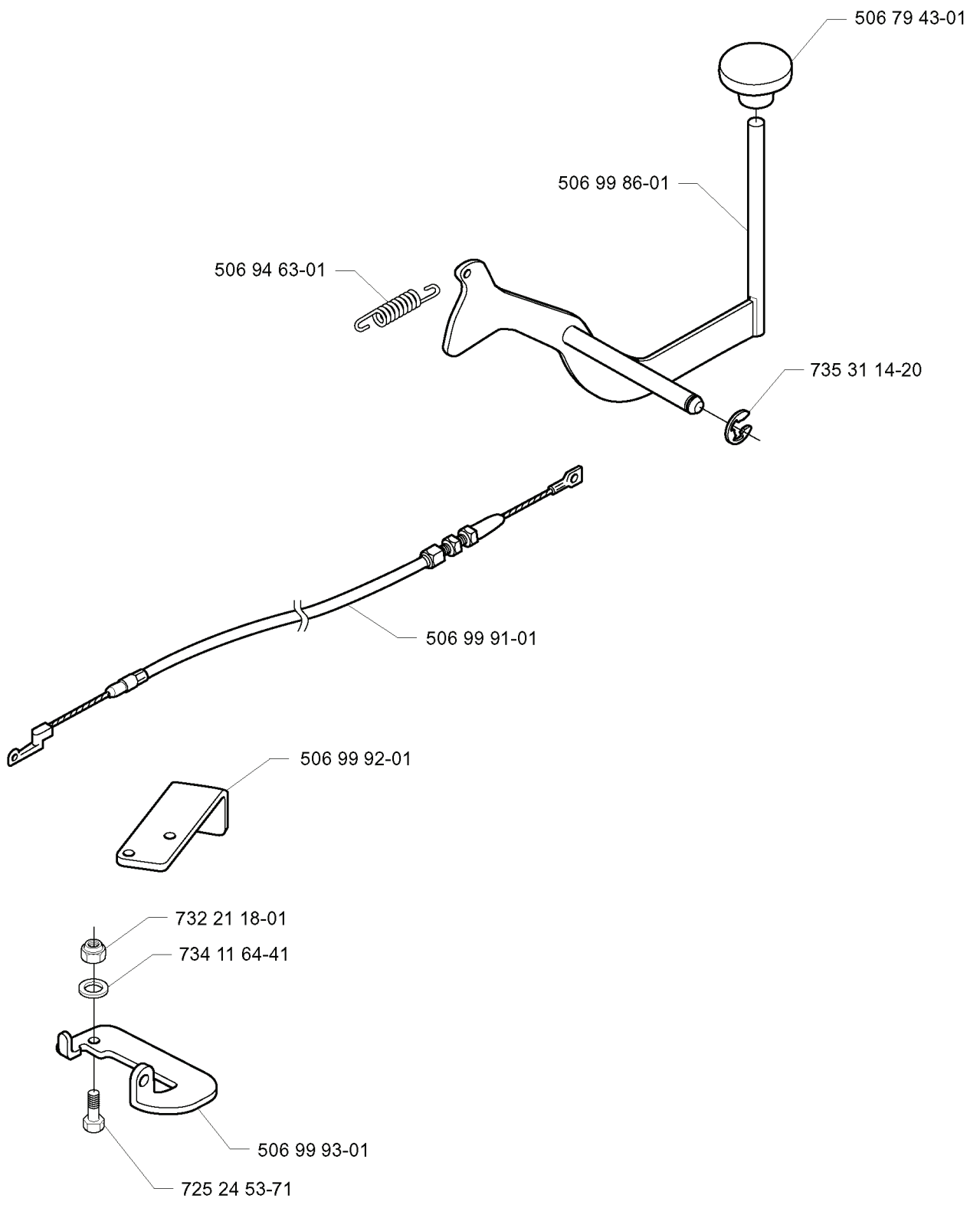
535 40 95-01 (PF18)

535 40 95-03 (PF21)



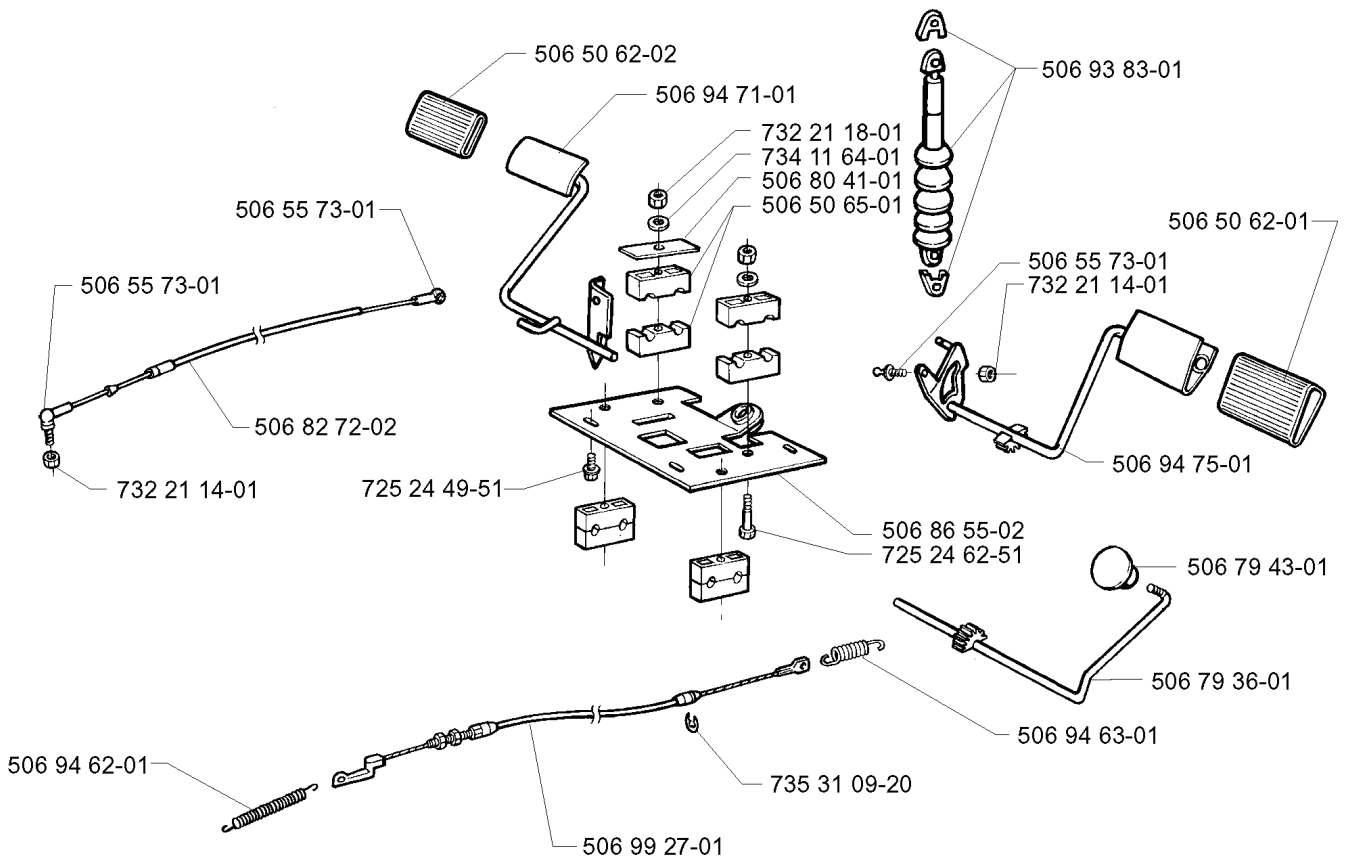
REF.	PART NO.	DESCRIPTION	REMARK	QTY.	KIT
506 97 97-01	506979701	LABEL		1	
506 99 74-01	506997401	LABEL		1	
535 40 95-03	535409503	STRIPES MOTORKÁPA V.	PF21	1	
535 40 95-01	535409501	STRIPES MOTORKÁPA V.	PF18	1	
535 40 95-04	535409504	STRIPES MOTORKÁPA H.	PF21	1	
535 40 95-02	535409502	STRIPES MOTORKÁPA H.	PF18	1	
531 00 65-78	531006578	DECAL	DECAL KIT	1	
506 94 30-01	506943001	DECAL		1	
506 94 27-01	506942701	DECAL		1	
506 94 48-01	506944801	LABEL		1	

E ProFlex 21



REF.	PART NO.	DESCRIPTION	REMARK	QTY.	KIT
506 94 63-01	506946301	BRAKE SPRING		1	
506 99 91-01	506999101	DIFFWIRE		1	
506 99 92-01	506999201	REAR ATTACHMENT		1	
732 21 18-01	732211801	LOCK NUT		1	
734 11 64-41	734116441	WASHER		1	
506 99 93-01	506999301	LEVER		1	
725 24 53-71	725245371	SCREW EHHM		1	
735 31 14-20	735311420	E-CLIP		1	
506 99 86-01	506998601	DIFFERENTIAL PEDAL ASSY		1	
506 79 43-01	506794301	KNOB		1	

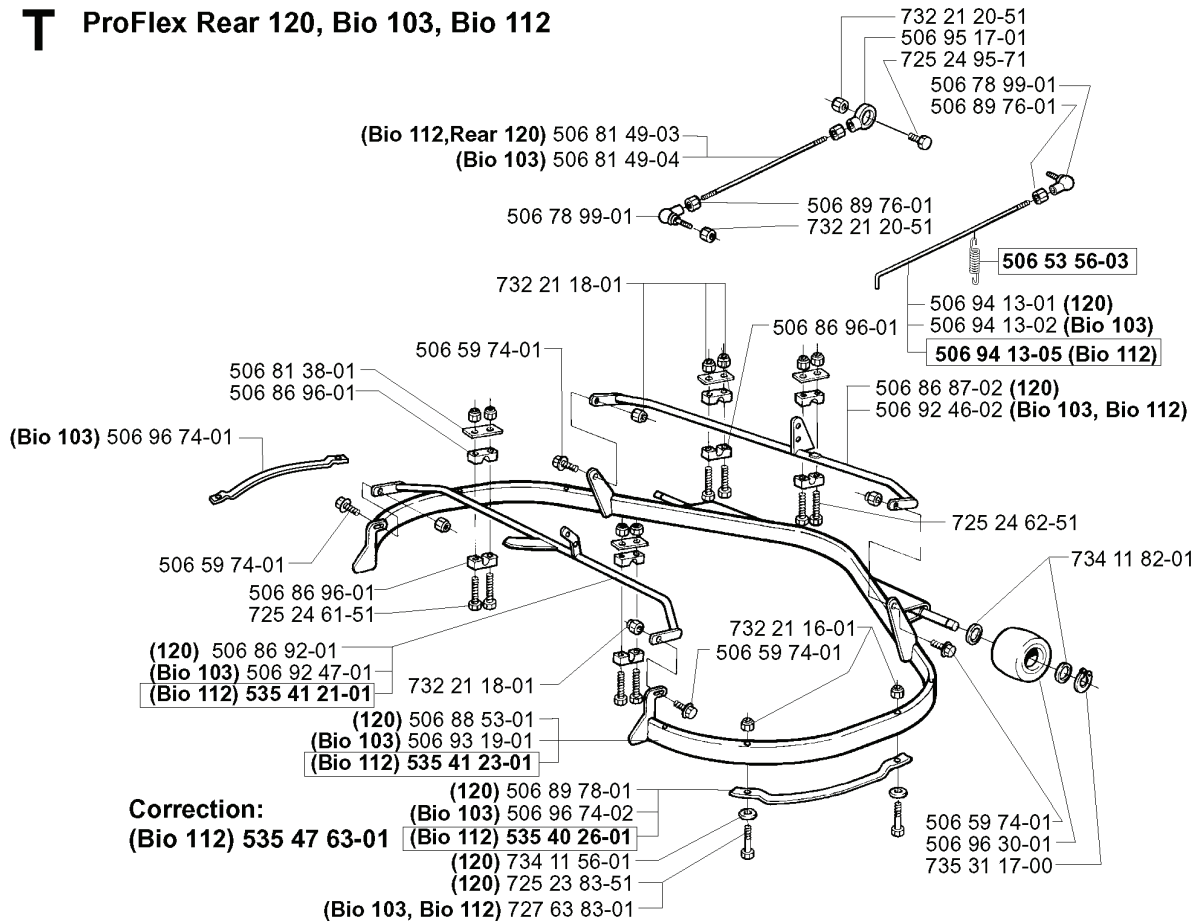
K



xxx xx xx-xx = New part,
 Neues teil,
 Nouvelle piece,
 Nueva pieza,
 Ny detalj

REF.	PART NO.	DESCRIPTION	REMARK	QTY.	KIT
506 82 72-02	506827202	CONTROL CABLE		1	
732 21 14-01	732211401	LOCK NUT		1	
506 94 62-01	506946201	BRAKE SPRING		1	
506 99 27-01	506992701	BRAKE WIRE		1	
725 24 49-51	725244951	SCREW		1	
506 50 62-02	506506202	PEDAL RUBBER		1	
506 94 71-01	506947101	BRAKE PEDAL ASSY		1	
732 21 18-01	732211801	LOCK NUT		1	
734 11 64-01	734116401	WASHER		1	
506 80 41-01	506804101	PLATE		1	
506 50 65-01	506506501	BEARING SUPPORT		1	
506 86 55-02	506865502	PEDAL PLATE ASSY		1	
725 24 62-51	725246251	SCREW EHHM		1	
735 31 09-20	735310920	E-CLIP		1	
506 94 63-01	506946301	BRAKE SPRING		1	
506 79 36-01	506793601	REVERSE PEDAL		1	
506 79 43-01	506794301	KNOB		1	
506 94 75-01	506947501	HYDROSTATIC PEDAL ASSY		1	
506 55 73-01	506557301	VINKELLAS8 DIN71802		1	
506 50 62-01	506506201	PEDAL RUBBER		1	
506 93 83-01	506938301	DAMPING PIECE		1	

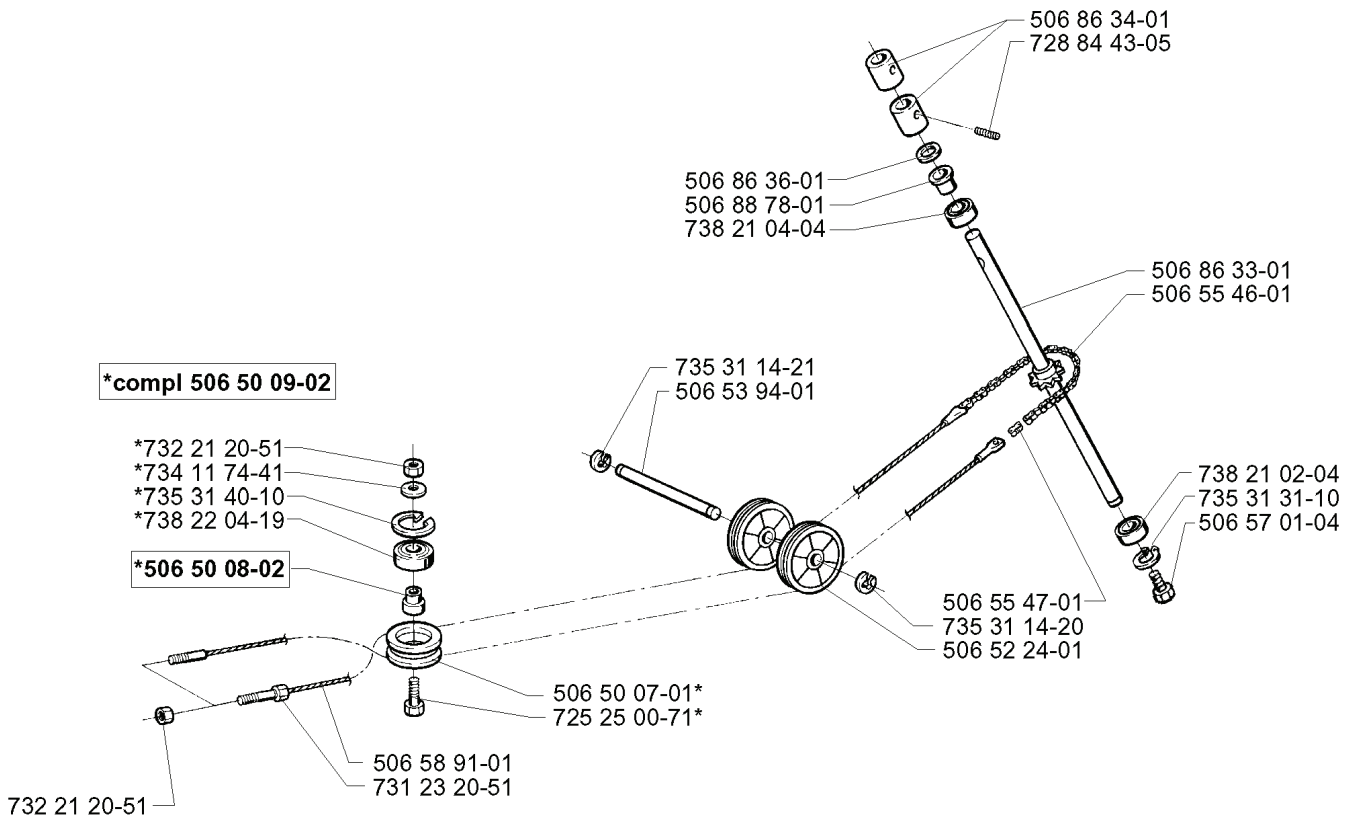
T ProFlex Rear 120, Bio 103, Bio 112



xxx xx xx-xx = New part,
 Neues teil,
 Nouvelle piece,
 Nueva pieza,
 Ny detalj

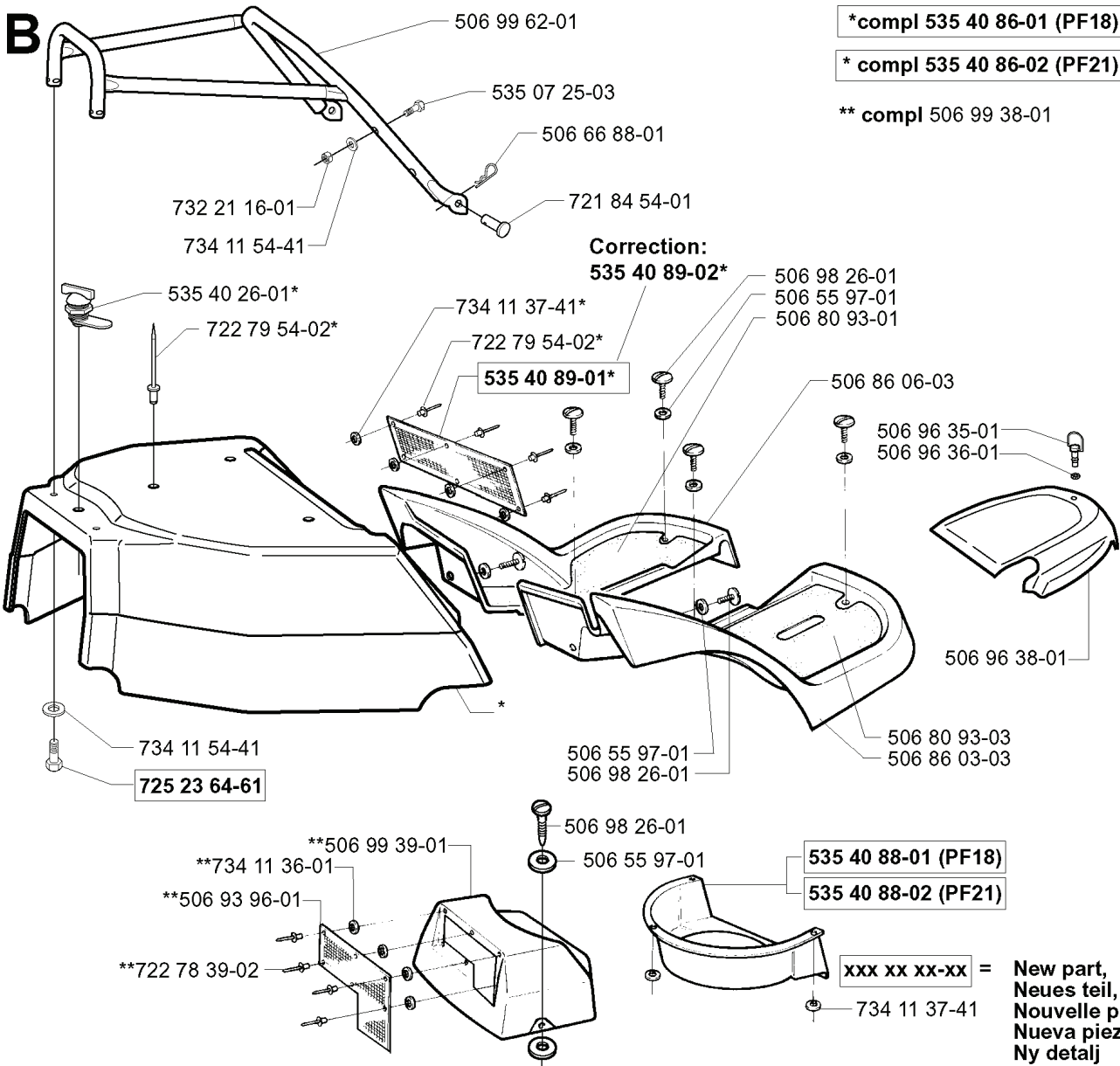
REF.	PART NO.	DESCRIPTION	REMARK	QTY.	KIT
506 81 38-01	506813801	REINFORCING PLATE		1	
506 96 74-01	506967401	SIDOSKENA KPL. VÄ.	BIO 103	1	
725 24 61-51	725246151	SCREW EHHM		1	
506 86 92-01	506869201	REAR CROSS TUBES ASS	120	1	
506 92 47-01	506924701	BAKRE TVÄRRÖR KPL.	BIO 103	1	
535 41 21-01	535412101	REAR CROSS TUBES ASS	BIO 112	1	
506 88 53-01	506885301	HAND GUARD ASSY	120	1	
506 93 19-01	506931901	PROTECTIVE TUBING	BIO 103	1	
535 41 23-01	535412301	PROTECTIVE TUBING	BIO 112	1	
506 89 78-01	506897801	SKYDDSRÖR	120	1	
506 96 74-02	506967402	SIDOSKENA KPL. HÖ.	BIO 103	1	
535 47 63-01	535476301	SIDE RAIL	CORRECTION: (BIO 112)	1	
734 11 56-01	734115601	WASHER	120	1	
725 23 83-51	725238351	SCREW EHHM	120	1	
727 63 83-01	727638301	SCREW RSQM	BIO 103, BIO 112	1	
735 31 17-00	735311700	CIRCLIP		1	
506 96 30-01	506963001	WHEEL ASSY		1	
506 59 74-01	506597401	SCREW EHHFM		1	
732 21 16-01	732211601	LOCK NUT		1	
734 11 82-01	734118201	WASHER		1	
725 24 62-51	725246251	SCREW EHHM		1	
506 92 46-02	506924602	FRÄMRE TVÄRRÖR KPL.	BIO 103, BIO 112	1	
506 86 87-02	506868702	FRÄMRE TVÄRRÖR KPL.	120	1	
506 94 13-05	506941305	CONNECTION ROD	BIO 112	1	
506 94 13-02	506941302	CONNECTION ROD	BIO 103	1	
506 94 13-01	506941301	CONNECTION ROD	120	1	
506 53 56-03	506535603	DRAW SPRING		1	
506 86 96-01	506869601	BEARING		1	
732 21 18-01	732211801	LOCK NUT		1	
506 78 99-01	506789901	VINKELLÄNK DIN 71802		1	
506 81 49-04	506814904	ROD	BIO 103	1	
506 81 49-03	506814903	ROD	BIO 112, REAR 120	1	
506 89 76-01	506897601	NUT		1	
725 24 95-71	725249571	SCREW EHHM		1	
506 95 17-01	506951701	ROD END		1	
732 21 20-51	732212051	NUT		1	

J



REF.	PART NO.	DESCRIPTION	REMARK	QTY.	KIT
506 50 09-02	506500902	BARRING WHEEL		1	
732 21 20-51	732212051	NUT		1	
734 11 74-41	734117441	WASHER		1	
735 31 40-10	735314010	CIRCLIP		1	
738 22 04-19	738220419	BALL BEARING		1	
506 50 08-02	506500802	BUSHING		1	
731 23 20-51	731232051	HEXAGON NUT		1	
506 58 91-01	506589101	WIRE ASSY		1	
725 25 00-71	725250071	SCREW EHHM		1	
506 50 07-01	506500701	BARRING WHEEL		1	
506 52 24-01	506522401	STARTER PULLEY		1	
735 31 14-20	735311420	E-CLIP		1	
506 55 47-01	506554701	LINKAGE		1	
506 53 94-01	506539401	SHAFT		1	
735 31 14-21	735311421	E-CLIP		1	
738 21 04-04	738210404	BALL BEARING		1	
506 88 78-01	506887801	SPACER		1	
506 86 36-01	506863601	WASHER		1	
506 86 34-01	506863401	DRIVER		1	
728 84 43-05	728844305	SCREW IHSETM		1	
506 86 33-01	506863301	ROD STEERING ASSY		1	
506 55 46-01	506554601	CHAIN		1	
738 21 02-04	738210204	BALL BEARING		1	
735 31 31-10	735313110	CIRCLIP		1	
506 57 01-04	506570104	SCREW EHHFM		1	

B



***compl 535 40 86-01 (PF18)**

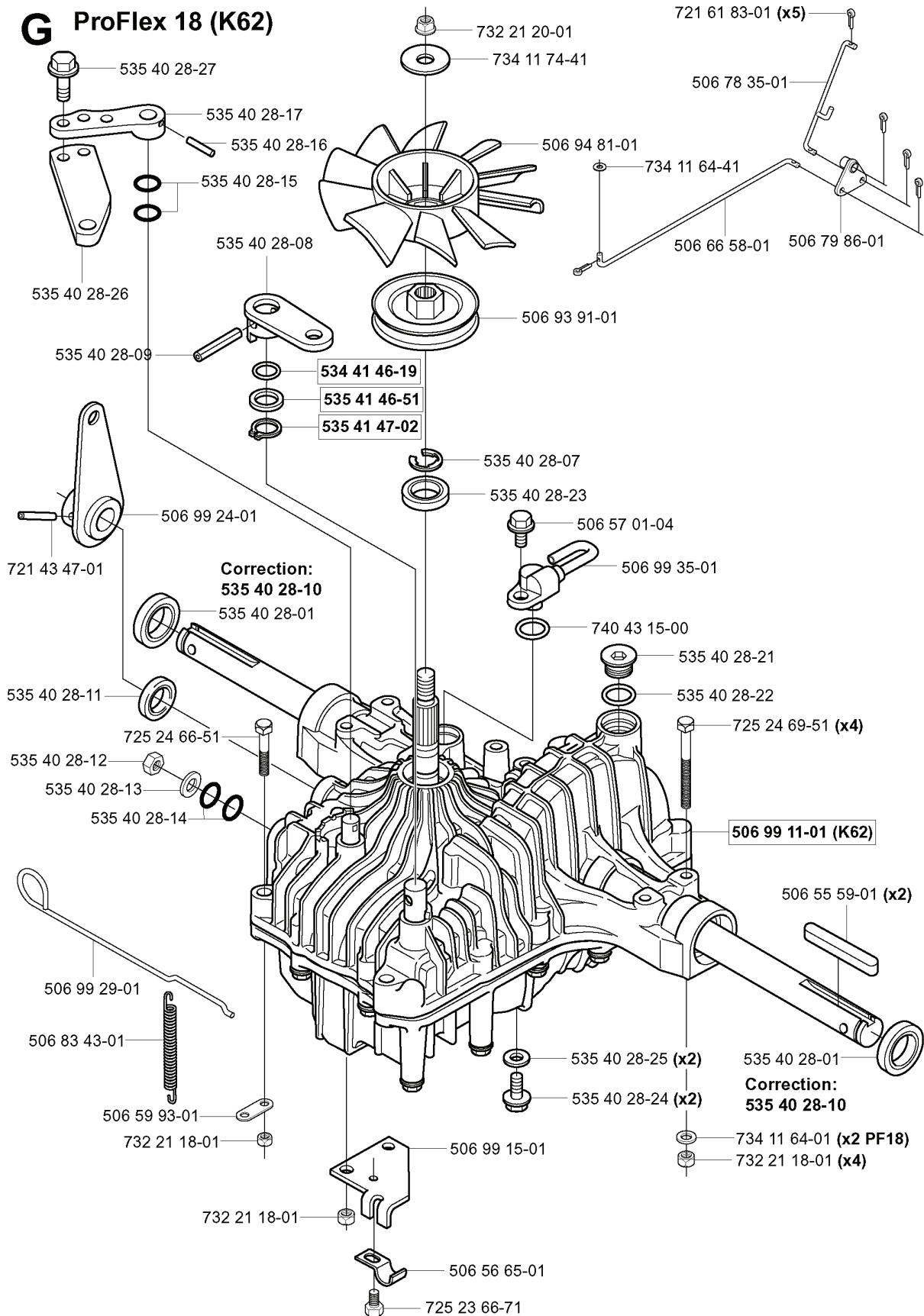
*** compl 535 40 86-02 (PF21)**

**** compl 506 99 38-01**

**Correction:
535 40 89-02***

REF.	PART NO.	DESCRIPTION	REMARK	QTY.	KIT
732 21 16-01	732211601	LOCK NUT		1	
734 11 54-41	734115441	WASHER		1	
535 40 26-01	535402601	LOCK		1	
722 79 54-02	722795402	RIVET		1	
725 23 64-61	725236461	SCREW EHHFT		1	
506 99 39-01	506993901	COVER		1	
734 11 36-01	734113601	WASHER		1	
506 93 96-01	506939601	SCREEN		1	
722 78 39-02	722783902	BLIND RIVET		1	
734 11 37-41	734113741	WASHER		1	
535 40 89-02	535408902	GRID	CORRECTION:	1	
721 84 54-01	721845401	CLEVIS PIN		1	
506 66 88-01	506668801	SPRING COTTER		1	
535 07 25-03	535072503	SCREW IHANM		1	
506 99 62-01	506996201	LOAD CARRIER ASSY		1	
535 40 86-01	535408601	MOTOR COVER	PF18	1	
535 40 86-02	535408602	MOTOR COVER	PF21	1	
506 99 38-01	506993801	COVER		1	
506 98 26-01	506982601	SCREW		1	
506 55 97-01	506559701	WASHER		1	
506 80 93-01	506809301	PEDISTAL MAT		1	
506 86 06-03	506860603	FLYGEL VÄNSTER		1	
506 96 35-01	506963501	VRIDTAPP		1	
506 96 36-01	506963601	WASHER		1	
506 96 38-01	506963801	NOSKÅPA		1	
506 80 93-03	506809303	PEDISTAL MAT		1	
506 86 03-03	506860303	FLYGEL HÖGER		1	
535 40 88-01	535408801	AIR CONDUCTOR	PF18	1	
535 40 88-02	535408802	AIR CONDUCTOR	PF21	1	

G ProFlex 18 (K62)



Correction:
535 40 28-10

Correction:
535 40 28-10

**xxx xx xx-xx = New part,
Neues teil,
Nouvelle piece,
Nueva pieza,
Ny detalj**

REF.	PART NO.	DESCRIPTION	REMARK	QTY.	KIT
535 40 28-26	535402826	LEVER		1	
535 40 28-09	535402809	PIN RETAINING SCREW		1	
721 43 47-01	721434701	SPRING PIN		1	
535 40 28-11	535402811	SEALING		1	
535 40 28-12	535402812	NUT		1	
535 40 28-13	535402813	WASHER		1	
535 40 28-14	535402814	O-RING		1	
506 99 29-01	506992901	FRIKOPPLINGSSTÅNG		1	
506 83 43-01	506834301	SPRING		1	
506 59 93-01	506599301	LINK		1	
732 21 18-01	732211801	LOCK NUT		1	
725 23 66-71	725236671	SCREW EHHM		1	
506 56 65-01	506566501	CLIP		1	
506 99 15-01	506991501	BRACKET		1	
725 24 66-51	725246651	SCREW		1	
506 99 24-01	506992401	LEVER		1	
535 41 47-02	535414702	RETAINER RING		1	
535 41 46-51	535414651	WASHER		1	
534 41 46-19	534414619	O-RING		1	
535 40 28-08	535402808	BRAKE LEVER		1	
535 40 28-15	535402815	O-RING		1	
535 40 28-16	535402816	PIN RETAINING SCREW		1	
535 40 28-17	535402817	LEVER		1	
535 40 28-27	535402827	BOLT		1	
732 21 20-01	732212001	LOCK NUT		1	
734 11 74-41	734117441	WASHER		1	
506 94 81-01	506948101	FAN		1	
506 93 91-01	506939101	PULLEY		1	
535 40 28-07	535402807	CLIP		1	
535 40 28-23	535402823	SEALING		1	
506 57 01-04	506570104	SCREW EHHFM		1	
506 99 35-01	506993501	HOSE CLAMP		1	
740 43 15-00	740431500	O-RING		1	
535 40 28-21	535402821	COVER		1	
535 40 28-22	535402822	O-RING		1	
725 24 69-51	725246951	SCREW EHHM		4	
506 99 11-01	506991101	TRANSMISSION	K62	1	
535 40 28-25	535402825	WASHER		2	
535 40 28-24	535402824	BOLT		2	
734 11 64-01	734116401	WASHER	PF18	2	
506 55 59-01	506555901	WEDGE		2	

REF.	PART NO.	DESCRIPTION	REMARK	QTY.	KIT
506 66 58-01	506665801	CLUTCH ROD REAR		1	
506 79 86-01	506798601	LÄNK KOPPLING KPL.		1	
734 11 64-41	734116441	WASHER		1	
506 78 35-01	506783501	CONNECTION ROD		1	
721 61 83-01	721618301	SPLIT PIN		5	
535 40 28-10	535402810	SEALING	CORRECTION:	1	