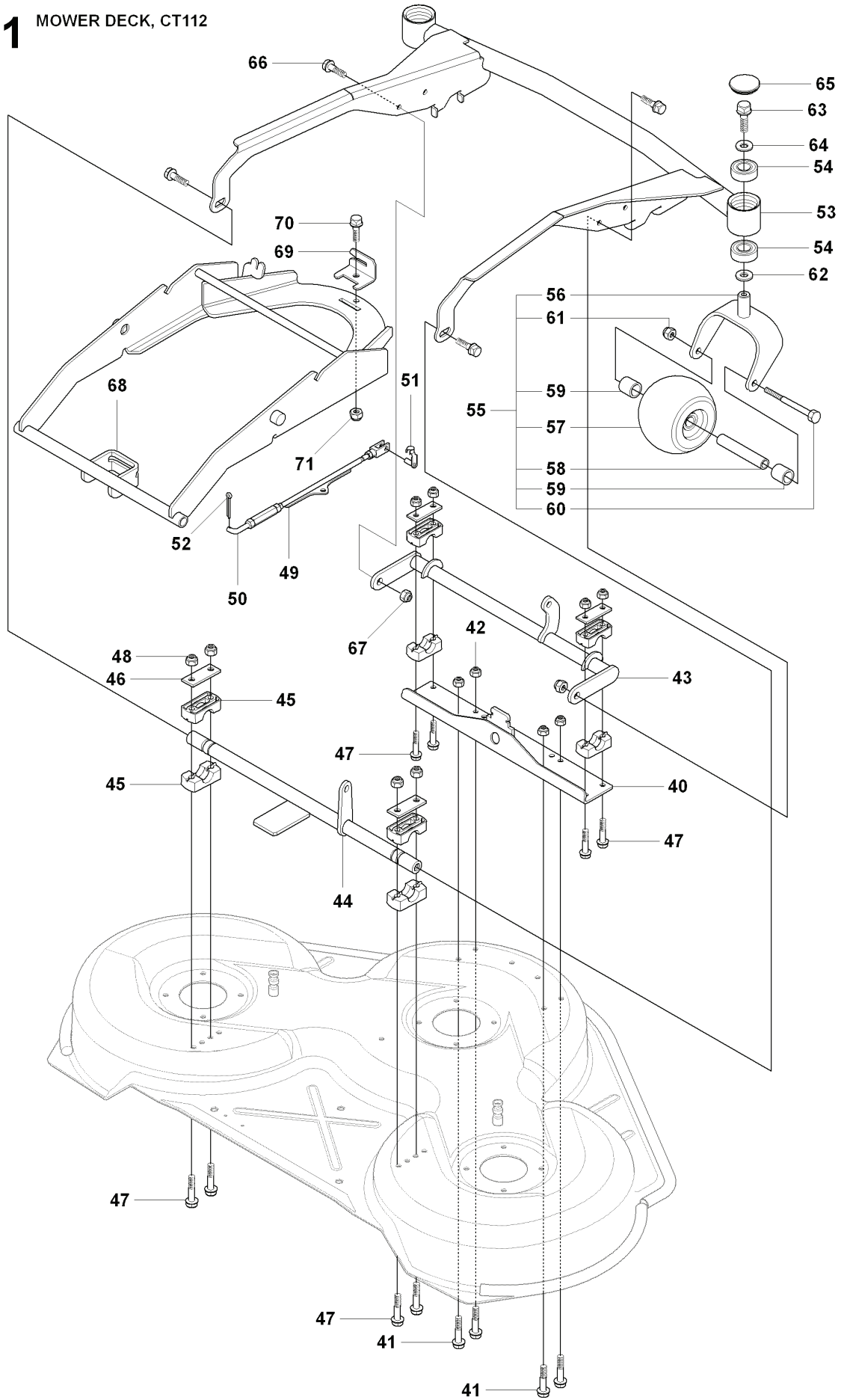


PROFLEX 21 AWD, 965192501, 2009-04

---

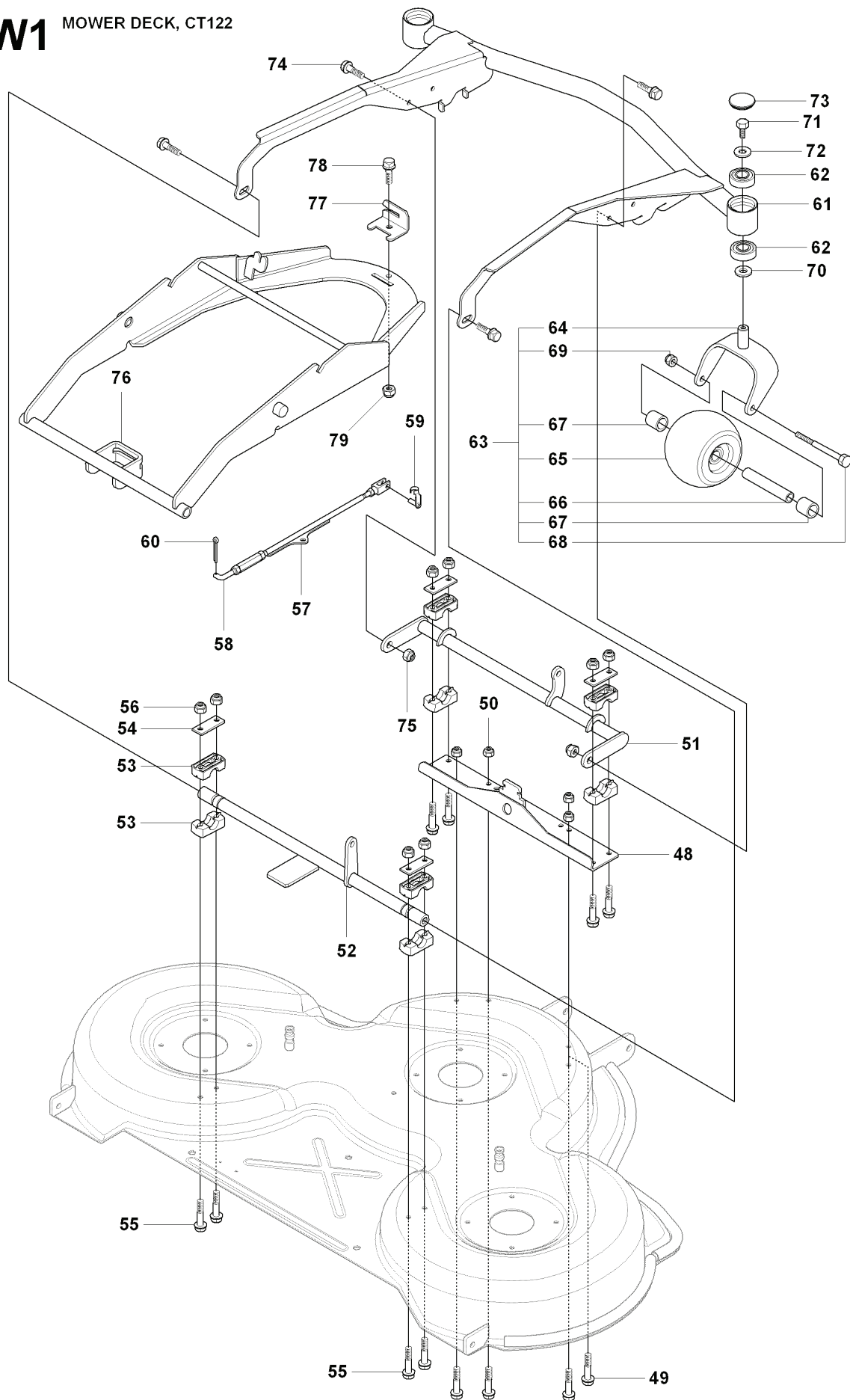
# **SPARE PARTS LIST**

# V1 MOWER DECK, CT112



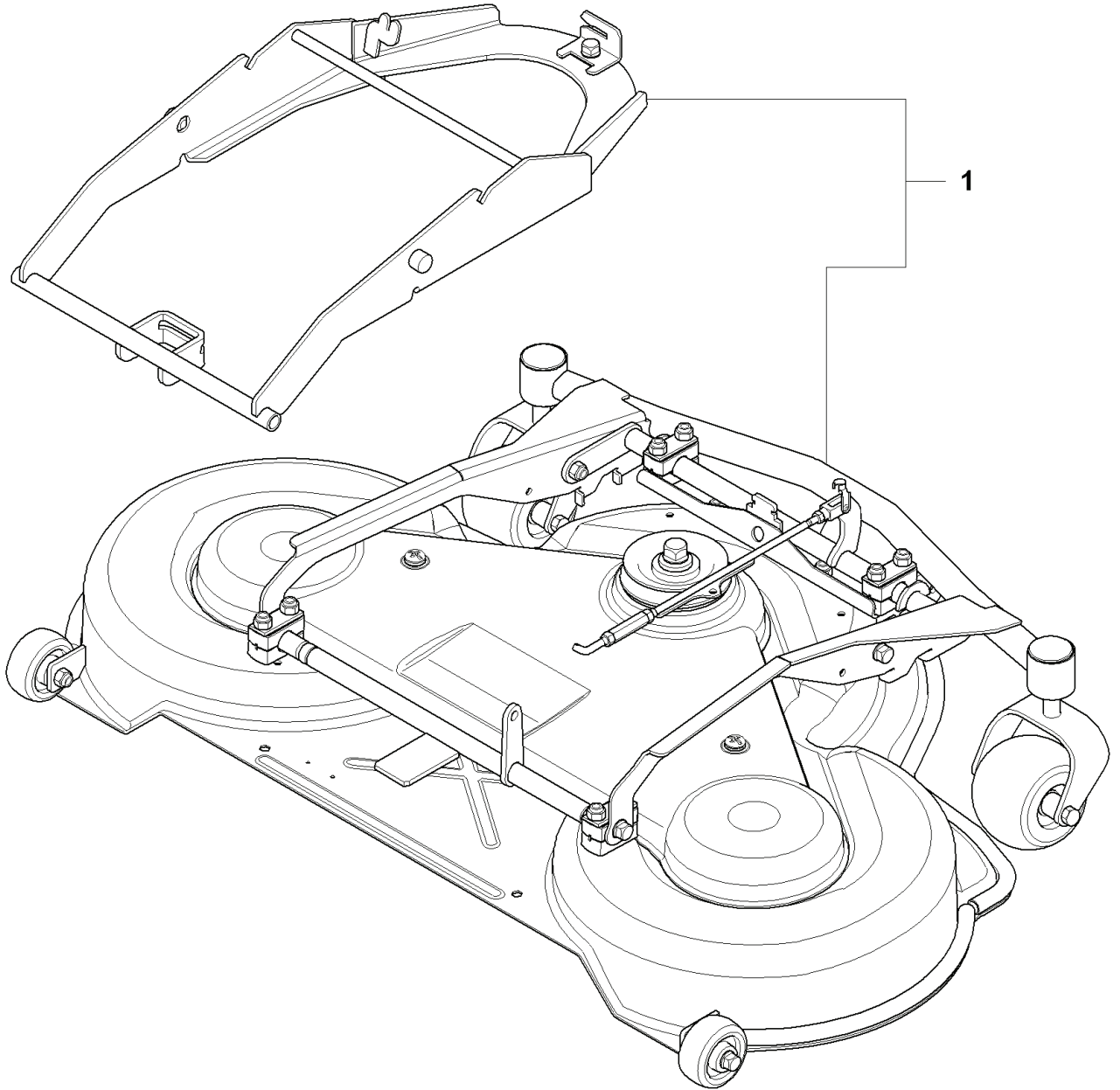
REF.	PART NO.	DESCRIPTION	REMARK	QTY.	KIT
40	502642102	BRACKET		1	
41	725245171	SCREW EHHM		4	
42	732211801	LOCK NUT		4	
43	502641802	CROSS BAR		1	
44	502641902	CROSS BAR		1	
45	506869601	BEARING		8	
46	506813801	REINFORCING PLATE		4	
47	725246151	SCREW EHHM		8	
48	732211801	LOCK NUT		8	
49	504812701	PARALLEL ROD ASSY		1	
50	502642301	PARALLEL ROD		1	
51	506839803	BOLT		1	
52	721618301	SPLIT PIN		1	
53	502642002	DECK FRAME		1	
54	738210404	BALL BEARING		4	
55	535505901	PIVOTHJUL		2	
56	535504601	FORK		1	
57	506963001	WHEEL ASSY		1	
58	506810802	TUBE		1	
59	506874102	SPACER		2	
60	725251951	SCREW EHHM		1	
61	732212051	NUT		1	
62	506504805	WASHER		2	
63	506570104	SCREW EHHFM		2	
64	734116441	WASHER		2	
65	544017001	HUB CAP		2	
66	506597401	SCREW EHHFM		4	
67	732211801	LOCK NUT		2	
68	502639501	DECK ATTACHMENT		1	
69	502642401	LOCK		1	
70	725245171	SCREW EHHM		1	
71	732211801	LOCK NUT		1	

# W1 MOWER DECK, CT122



REF.	PART NO.	DESCRIPTION	REMARK	QTY.	KIT
48	502642102	BRACKET		1	
49	725245171	SCREW EHHM		4	
50	732211801	LOCK NUT		4	
51	502641803	CROSS BAR		1	
52	502641903	CROSS BAR		1	
53	506869601	BEARING		8	
54	506813801	REINFORCING PLATE		4	
55	725246151	SCREW EHHM		8	
56	732211801	LOCK NUT		8	
57	504812702	PARALLEL ROD ASSY		1	
58	502642301	PARALLEL ROD		1	
59	506839803	BOLT		1	
60	721618301	SPLIT PIN		1	
61	502642003	DECK FRAME		1	
62	738210404	BALL BEARING		4	
63	535505901	PIVOTHJUL		2	
64	535504601	FORK		1	
65	506963001	WHEEL ASSY		1	
66	506810802	TUBE		1	
67	506874102	SPACER		2	
68	725251951	SCREW EHHM		1	
69	732212051	NUT		1	
70	506504805	WASHER		2	
71	506570104	SCREW EHHFM		2	
72	734116441	WASHER		2	
73	544017001	HUB CAP		2	
74	506597401	SCREW EHHFM		4	
75	732211801	LOCK NUT		2	
76	502639502	DECK ATTACHMENT		1	
77	502642401	LOCK		1	
78	725245171	SCREW EHHM		1	
79	732211801	LOCK NUT		1	

**U** MOWER DECK, CT122

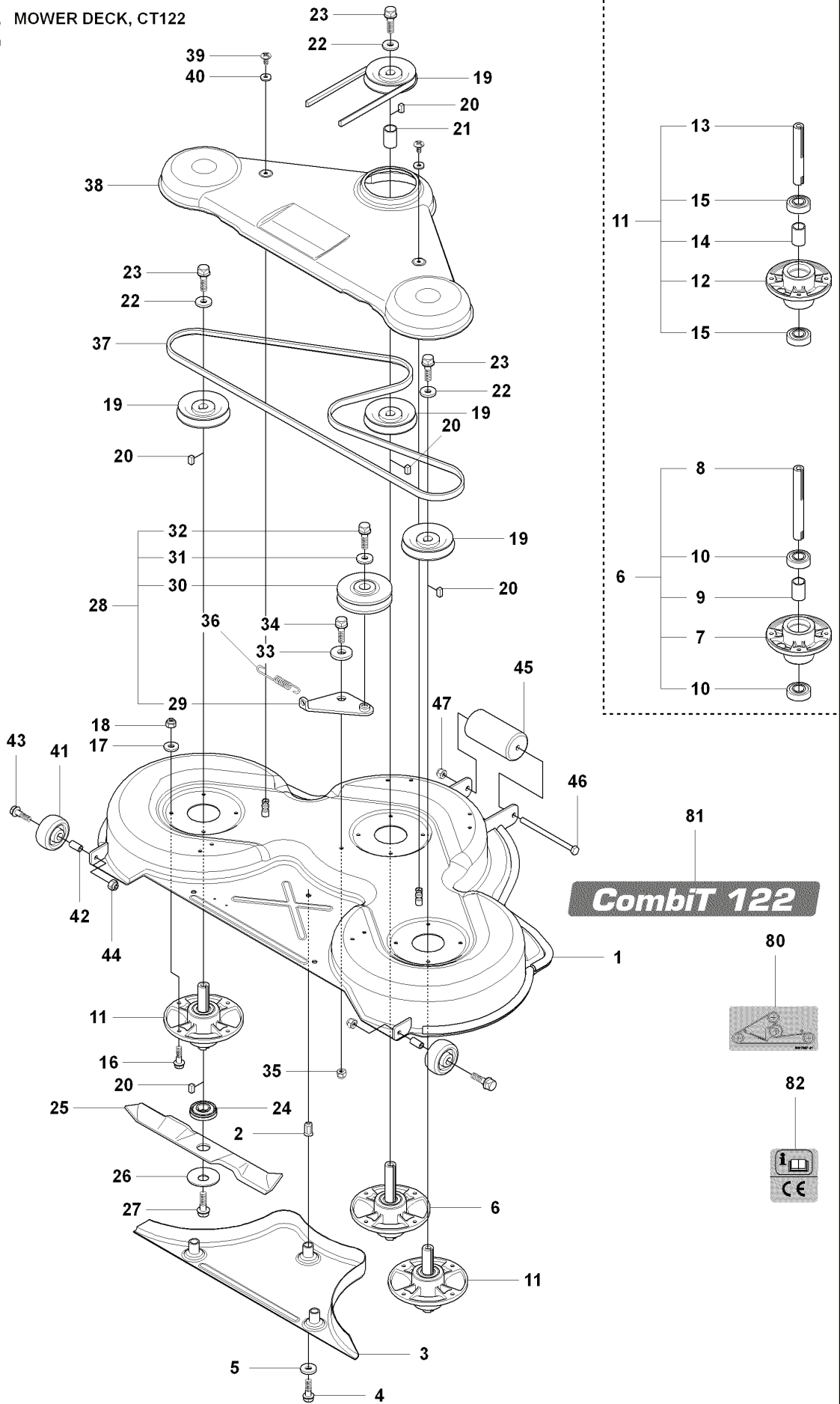


---

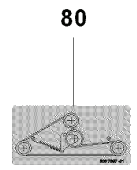
REF.	PART NO.	DESCRIPTION	REMARK	QTY.	KIT
1	965967901	CUTTING DECK		1	



# W2 MOWER DECK, CT122

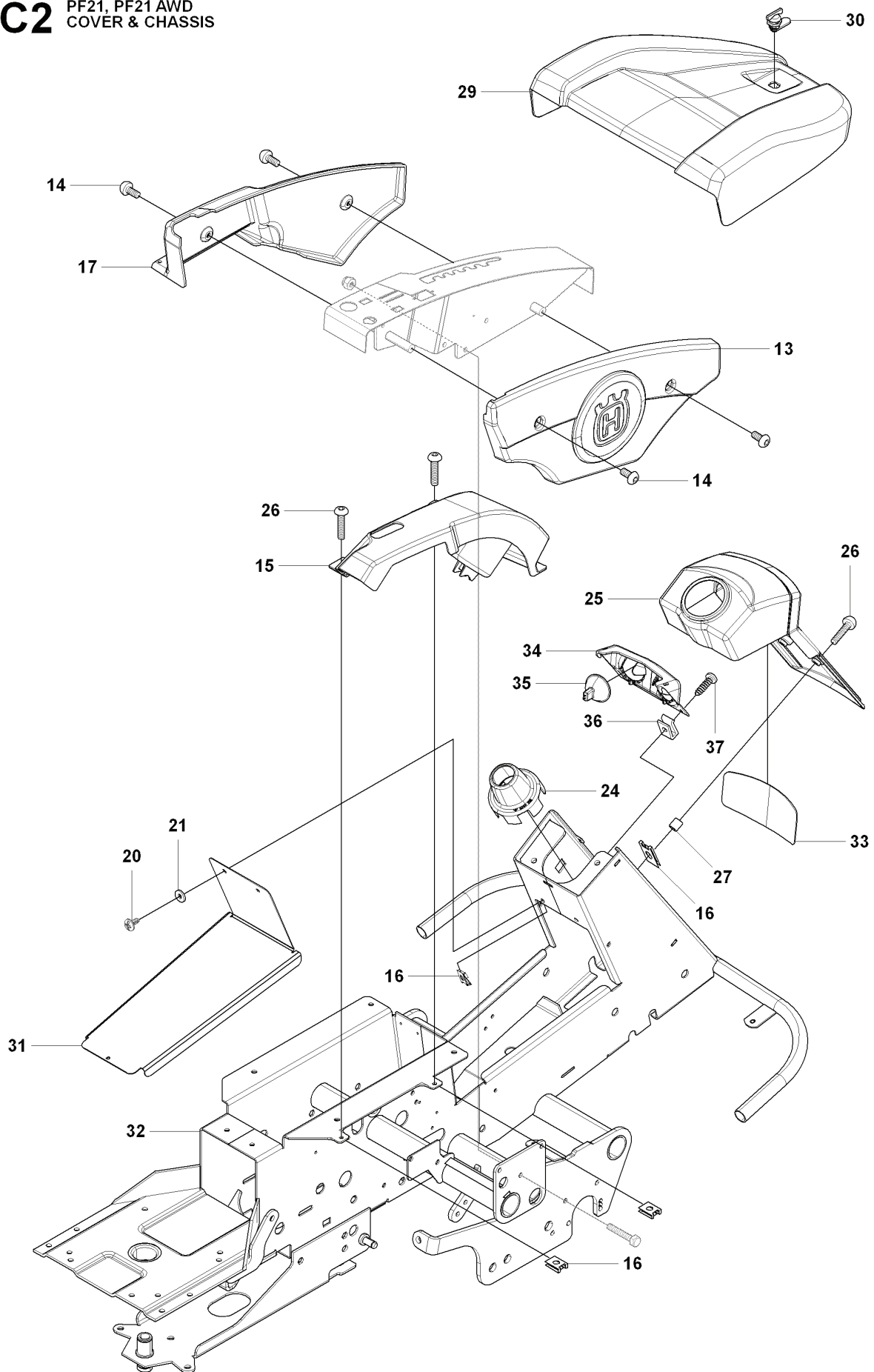


**CombiT 122**

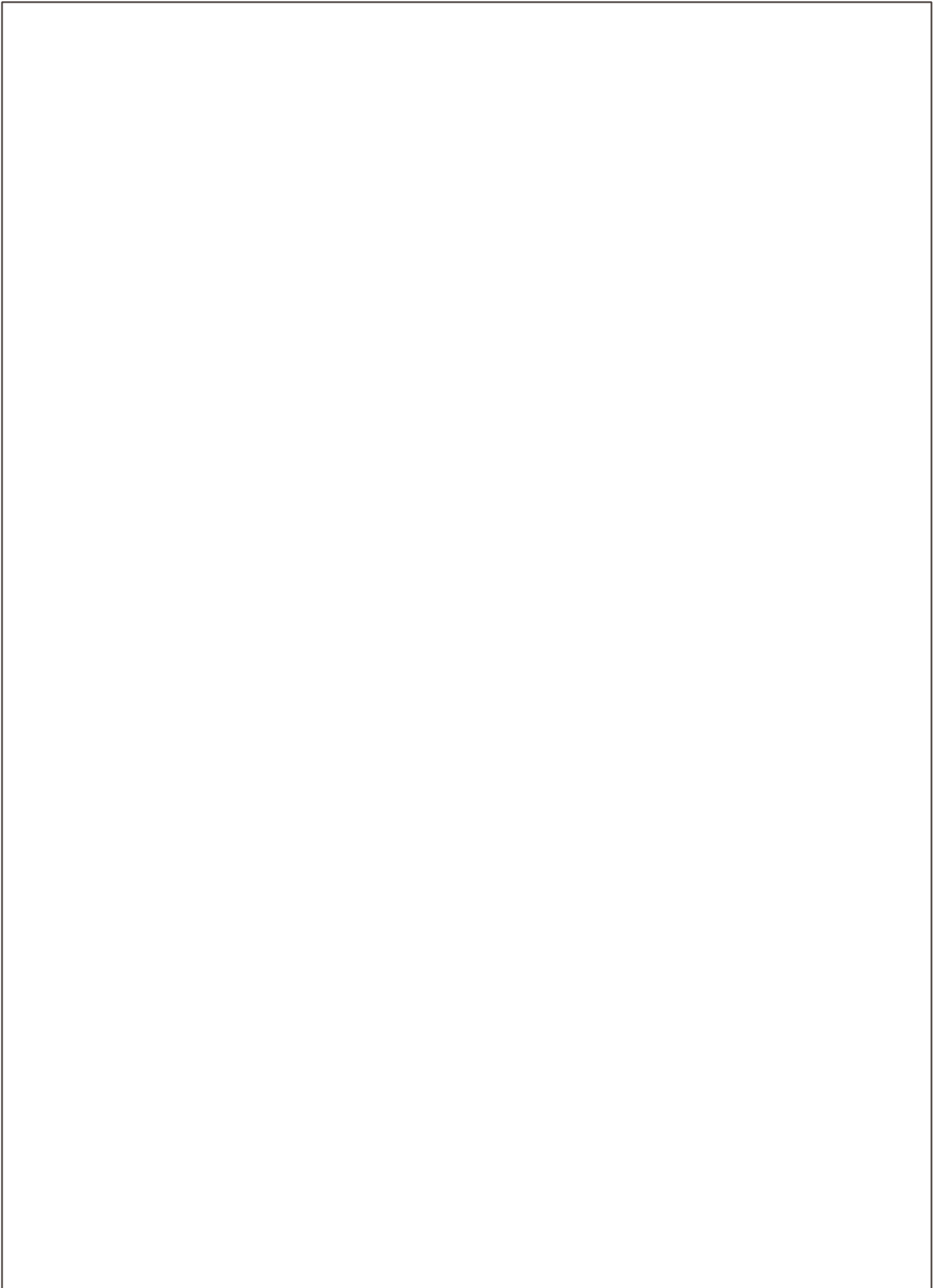


REF.	PART NO.	DESCRIPTION	REMARK	QTY.	KIT
1	522505601	CUTTING DECK KIT		1	
2	506916201	NUT		3	
4	725246051	SCREW EHHM		3	
5	734116401	WASHER		3	
6	535428601	BLADE HOUSING ASSY		1	
7	535428901	BEARING HOUSING		1	
8	535428701	SHAFT		1	
9	535428801	SPACER		1	
10	738220519	BALL BEARING		2	
11	535428602	BLADE HOUSING ASSY		2	
12	535428901	BEARING HOUSING		1	
13	535428702	SHAFT		1	
14	535428801	SPACER		1	
15	738220519	BALL BEARING		2	
16	535423801	SCREW RSQM		12	
17	734116401	WASHER		12	
18	732211801	LOCK NUT		12	
19	535429001	PULLEY		4	
20	506533501	PARALLEL KEY		7	
21	535428801	SPACER		1	
22	535429201	WASHER		3	
23	725254251	SCREW EHHM		3	
24	535504201	ADAPTER		3	
25	535429410	BLADE		3	
26	506792302	KNIFE PLATE		3	
27	725254251	SCREW EHHM		3	
28	506540701	BELT TENSIONER ASSY		1	
29	506519501	SPÄNNARM KPL.		1	
30	506532701	PULLEY		1	
31	734116441	WASHER		1	
32	506558302	SCREW EHHFT		1	
33	506918702	WASHER		1	
34	725245171	SCREW EHHM		1	
35	732211801	LOCK NUT		1	
36	506533101	SPRING		1	
37	589533001	BELT		1	
38	535429601	BELT COVER		1	
39	506982601	SCREW		2	
40	506559701	WASHER		2	
41	505441601	WHEEL		2	
42	505450301	TUBE		2	
43	725250271	SCREW EHHM		2	
44	732212001	LOCK NUT		2	
45	544185401	ROLLER		1	
46	544221001	SCREW EHHM		1	
47	732212201	NUT		1	
80	506789701	LABEL		1	
81	544238113	LABEL		1	
82	506929001	LABEL		1	
3	535428302	PLUG ASSY		1	

**C2** PF21, PF21 AWD  
COVER & CHASSIS

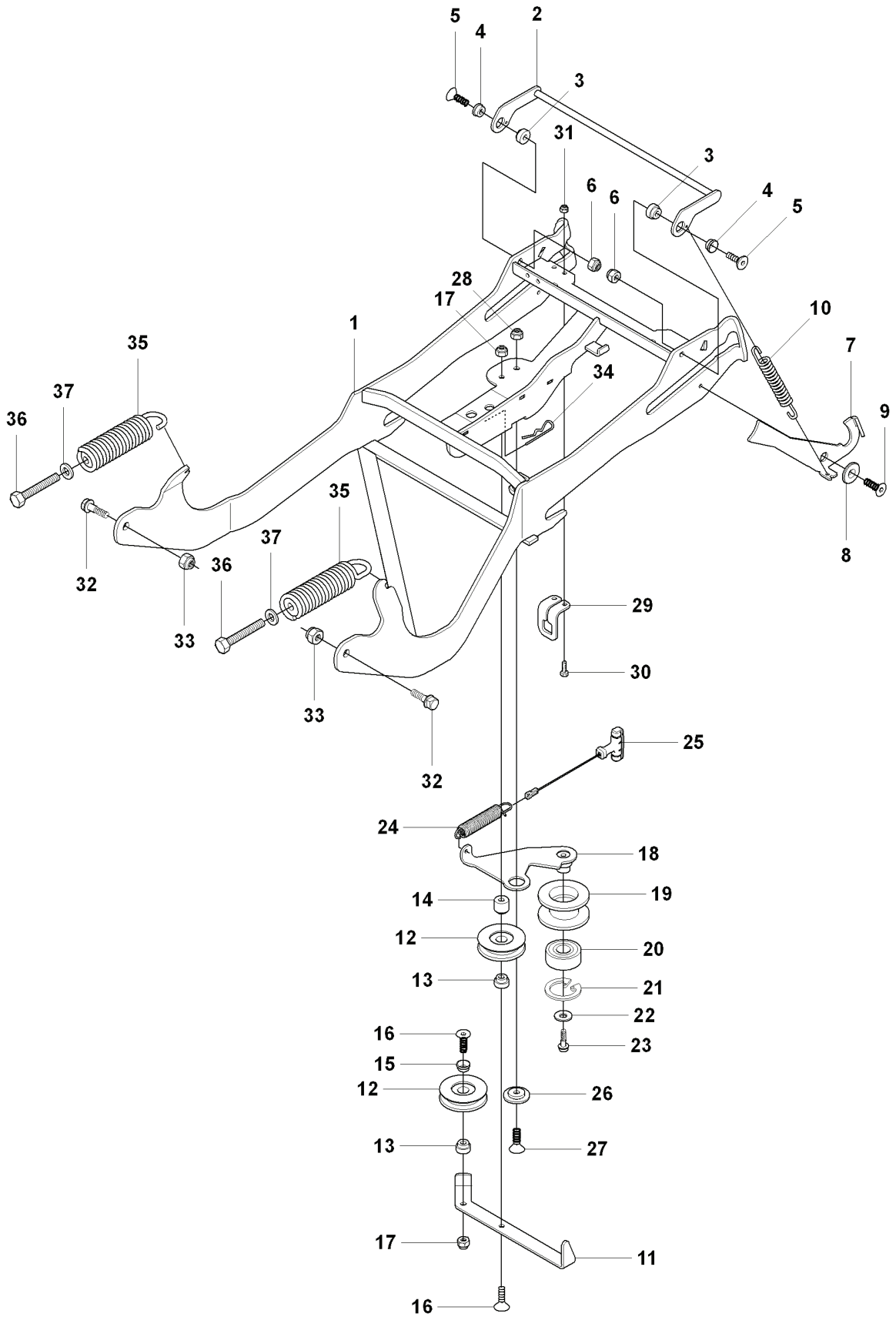


REF.	PART NO.	DESCRIPTION	REMARK	QTY.	KIT
13	502637501	CONTROL COVER		1	
14	535425801	SCREW IH PANM		4	
15	502637701	CONTROL COVER		1	
16	535429101	SPRING NUT		6	
17	535476501	CONTROL CAP INNER		1	
20	506982601	SCREW		8	
21	506559701	WASHER		10	
24	535460501	SEALING		1	
25	535459701	COVER		1	
26	535425802	SCREW IH PANM		4	
27	535462901	SPACER		2	
29	502286901	UNIT COVER		1	
30	535402603	LOCK		1	
31	535421501	LOCK GOLVTUNNEL		1	
32	502298302	CHASSIS		1	
33	535447101	LAMP CHIMNEY		1	
34	535446701	HOUSING		1	
35	535446801	LAMP		2	
36	535415619	SCREW		2	
37	506892001	SPEED NUT		2	



REF.	PART NO.	DESCRIPTION	REMARK	QTY.	KIT
1	535441101	BATTERY MAT		1	
2	510138501	BATTERY		1	
3	506836802	BELT		1	
4	504639201	COVER		1	
5	544439801	RELAY		1	
6	725236461	SCREW EHHFT		1	
7	501007501	CLIP		1	
8	722782209	BLIND RIVET		1	
9	544926104	CABLE		1	
10	544928601	CABLE		1	
11	544967604	CABLE		1	
12	522622101	SCREW EHHM		2	
13	522624301	NUT		2	
14	506899801	NUT		3	
15	501002501	WIRING		1	
16	501002401	WIRING		1	
17	544849801	WIRING		1	
18	504639401	THERMOSTAT ASSY		1	
19	722782902	BLIND RIVET		2	
20	535446701	HOUSING		1	
21	535446801	LAMP		2	
22	535415619	SCREW		2	
23	506892001	SPEED NUT		2	
24	544440701	RIVET		2	
25	544415501	SWITCH		1	
26	544415701	BRACKET		1	
27	535469101	SWITCH		1	
28	535457001	PLATE SPRING		1	
29	544440701	RIVET		2	
30	722783902	BLIND RIVET		2	
31	725232551	SCREW		1	
32	731231401	HEXAGON NUT		1	
33	535474901	KEY SWITCH		1	
34	535476001	IGNITION KEY		1	
35	535475001	WASHER		1	
36	504851701	KEY SWITCH		1	
37	535409201	HOUR METER		1	
38	722782502	RIVET		2	
39	535462301	SWITCH		2	
40	535462401	SHIELDING MEDIUM		2	
41	535474801	POWER SOCKET		1	
42	506565601	SÄTESBRYTARE KPL		1	
43	503218816	SCREW IHSCT		2	
44	504629301	FAN		1	

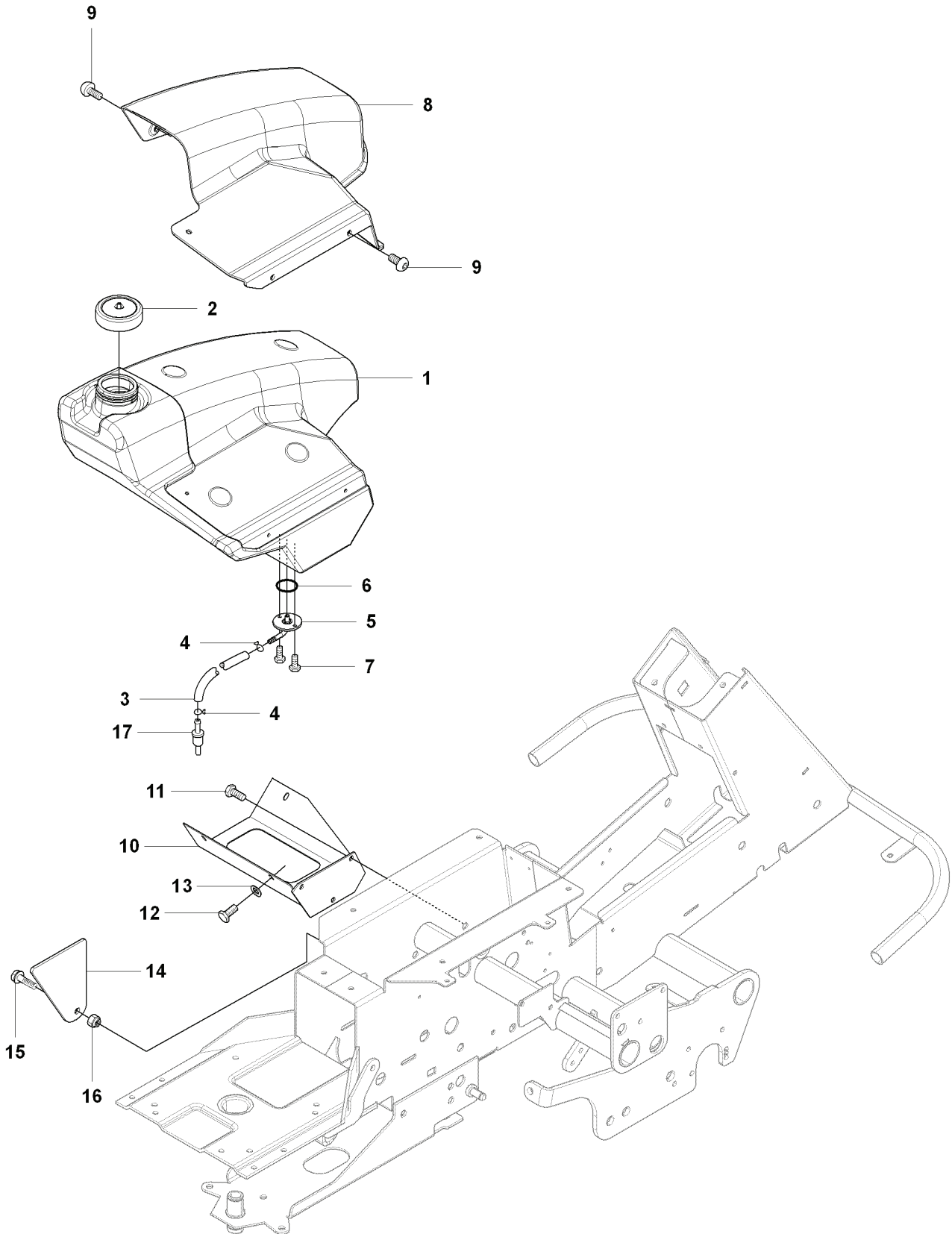
**R** PF21, PF21 AWD  
EQUIPMENT FRAME ASSY



REF.	PART NO.	DESCRIPTION	REMARK	QTY.	KIT
1	502637901	EQUIPMENT FRAME		1	
2	504557801	HOOK		1	
3	544003401	BUSHING		2	
4	506993302	SLEEVE		2	
5	725645901	SCREW IHCSFM		2	
6	732211801	LOCK NUT		2	
7	504558001	LEVER		1	
8	506918701	WASHER		1	
9	725644901	SCREW IHCSFM		1	
10	506535603	DRAW SPRING		1	
11	504812801	BELT GUIDE		1	
12	544004601	PULLEY ASSY		2	
13	544003401	BUSHING		2	
14	544003402	BUSHING		1	
15	506993302	SLEEVE		1	
16	725246251	SCREW EHHM		2	
17	732211801	LOCK NUT		2	
18	504621901	BELT TENSIONER		1	
19	506928901	PULLEY		1	
20	738210404	BALL BEARING		1	
21	735313810	CIRCLIP		1	
22	734116441	WASHER		1	
23	506558302	SCREW EHHFT		1	
24	504622401	SPRING		1	
25	504622101	HANDLE ASSY		1	
26	505451701	WASHER		1	
27	725645301	SCREW IHCSFM		1	
28	732211801	LOCK NUT		1	
29	504621701	GUIDE		1	
30	725236871	SCREW EHHM		2	
31	732211601	LOCK NUT		2	
32	506895801	COLLAR SCREW		2	
33	732252201	HEXAGON LOCKING NUT		2	
34	506966601	HAIR PIN COTTER		1	
35	505420901	SPRING		2	
36	725251571	SCREW EHHM		2	
37	734117201	WASHER		2	

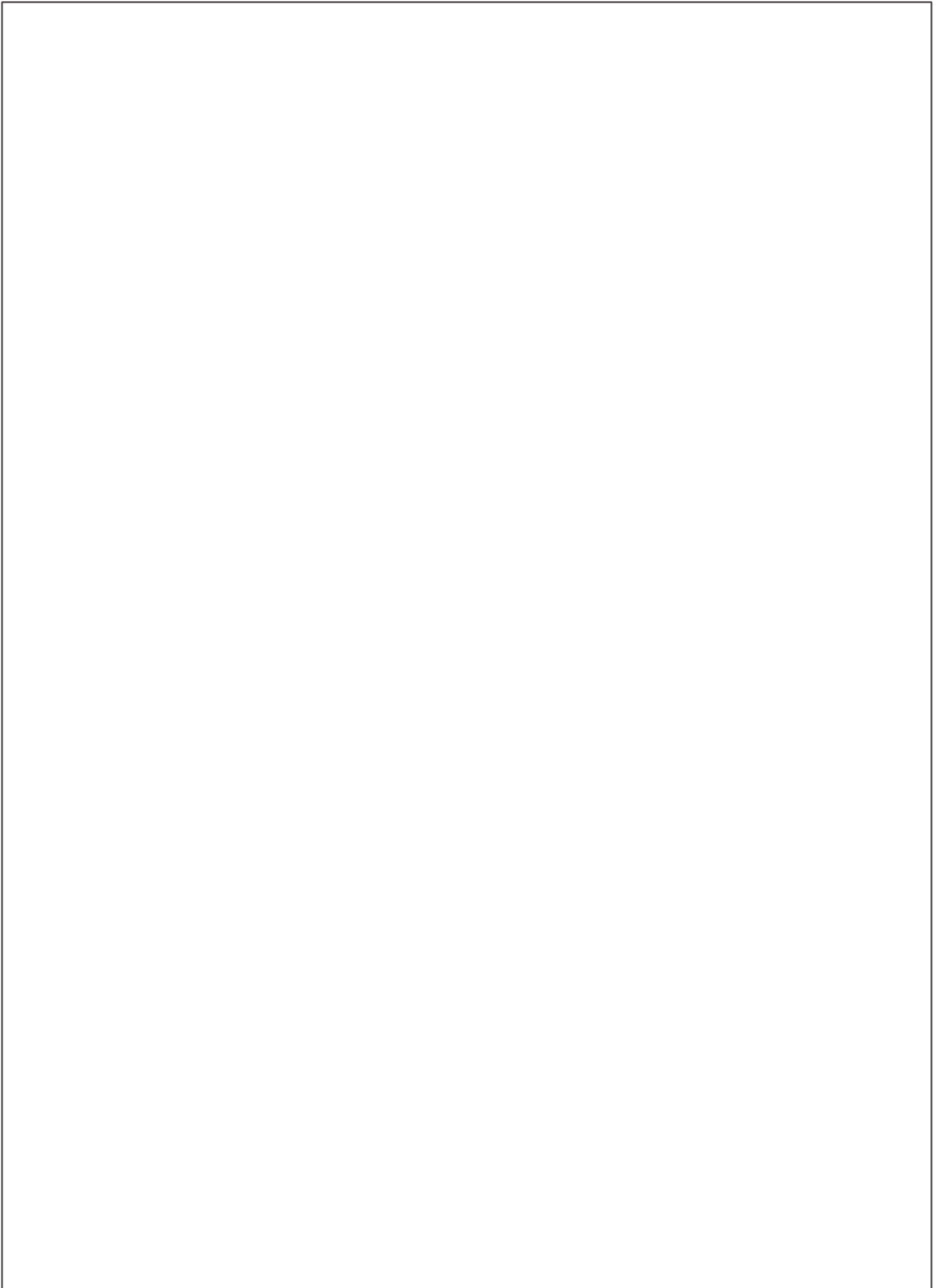


**B** PF21, PF21 AWD  
FUEL SYSTEM



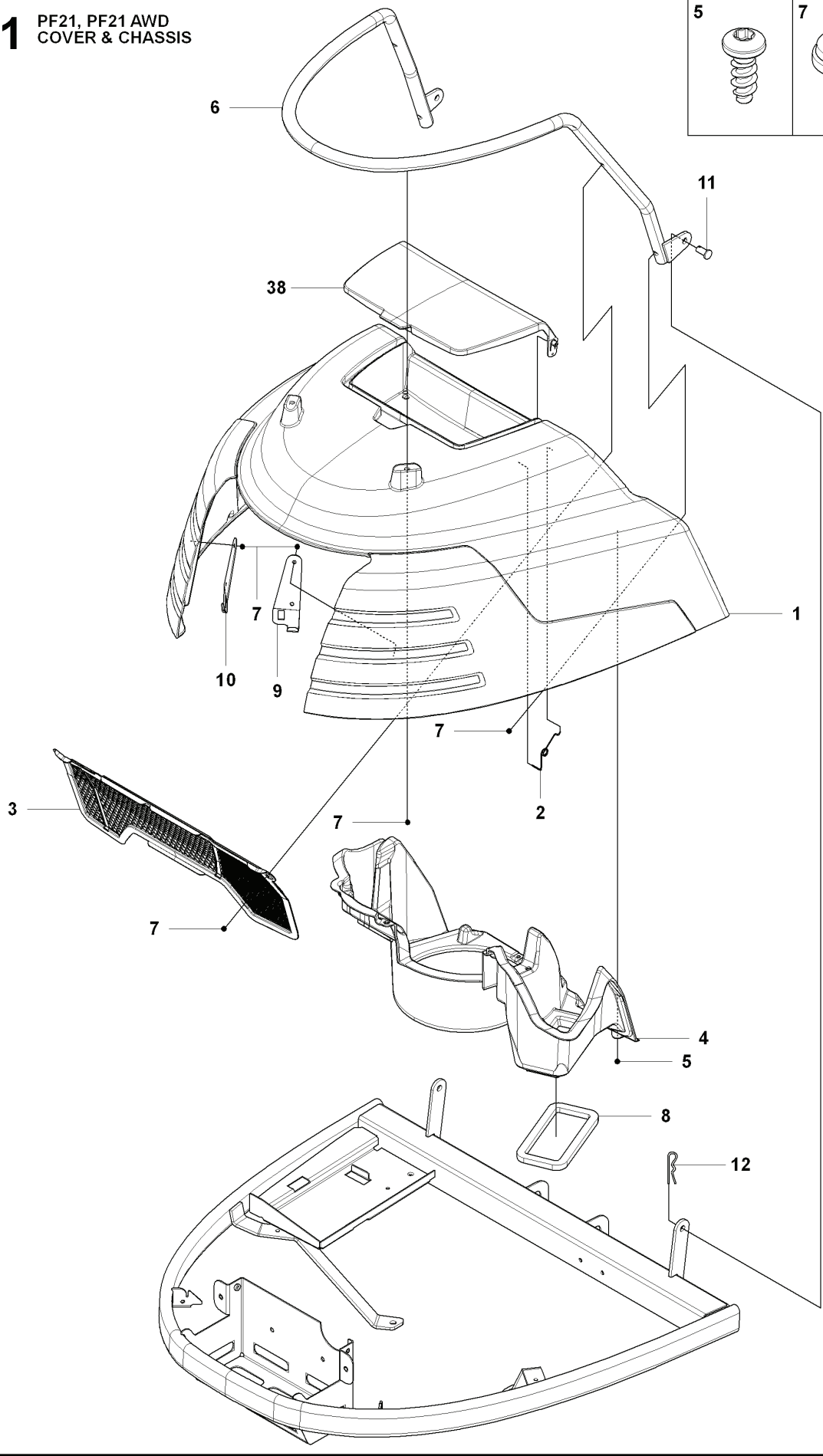
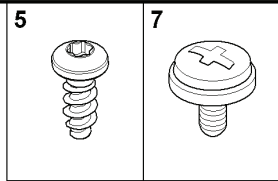
---

REF.	PART NO.	DESCRIPTION	REMARK	QTY.	KIT
1	535425201	FUEL TANK		1	
2	506673301	TANK CAP ASSY		1	
3	506946705	FUEL HOSE		1	
4	535469701	HOSE BRACE		2	
5	506891801	CONNECTION		1	
6	740481202	O-RING		1	
7	535415619	SCREW		2	
8	535432701	DESIGN COVER TANK		1	
9	535425801	SCREW IHANM		5	
10	535438601	BRACKET		1	
11	725245171	SCREW EHHM		3	
12	725236651	HEXAGONAL SCREW M6X12		3	
13	734115601	WASHER		3	
14	535438801	TANK SUPPORT		1	
15	725249571	SCREW EHHM		1	
16	732212001	LOCK NUT		1	
17	506791001	FUEL FILTER		1	



REF.	PART NO.	DESCRIPTION	REMARK	QTY.	KIT
1	535475401	CONTROL PLATE		1	
2	725245171	SCREW EHHM		3	
3	732211801	LOCK NUT		3	
4	506784502	CONTROL LEVER		1	
5	506784601	PEN		1	
6	506554301	BEARING		2	
7	735312220	E-CLIP		2	
8	506784701	REGLERSPAK KPL.		1	
9	506531401	SPRING		1	
10	506531501	SHAFT		1	
11	735310920	E-CLIP		2	
12	506542001	HANDLE		1	
13	502636301	LINK		1	
14	506918702	WASHER		1	
15	725245371	SCREW EHHM		1	
16	732211601	LOCK NUT		1	
17	506854501	HEIGHT ROD		1	
18	731231801	HEXAGON NUT		1	
19	734117201	WASHER		1	
20	732211801	LOCK NUT		1	
21	721618301	SPLIT PIN		1	
22	502636402	CONNECTOR		1	
23	506597401	SCREW EHHFM		1	
24	731231801	HEXAGON NUT		1	
25	506865903	CONTROL		1	
26	506865904	CONTROL		1	
27	506889101	KNOB		1	
28	506889102	KNOB		1	
29	506888901	BUSHING		2	
30	725237471	SCREW EHHM		1	
31	732211601	LOCK NUT		1	
32	506928502	LOCKWASHER		2	
33	506839401	SPRING WASHER		2	
34	506863907	GASWIRE KPL.		2	
35	506508201	CLIP		2	
36	725233551	SCREW EHHM		1	
37	732211401	LOCK NUT		1	

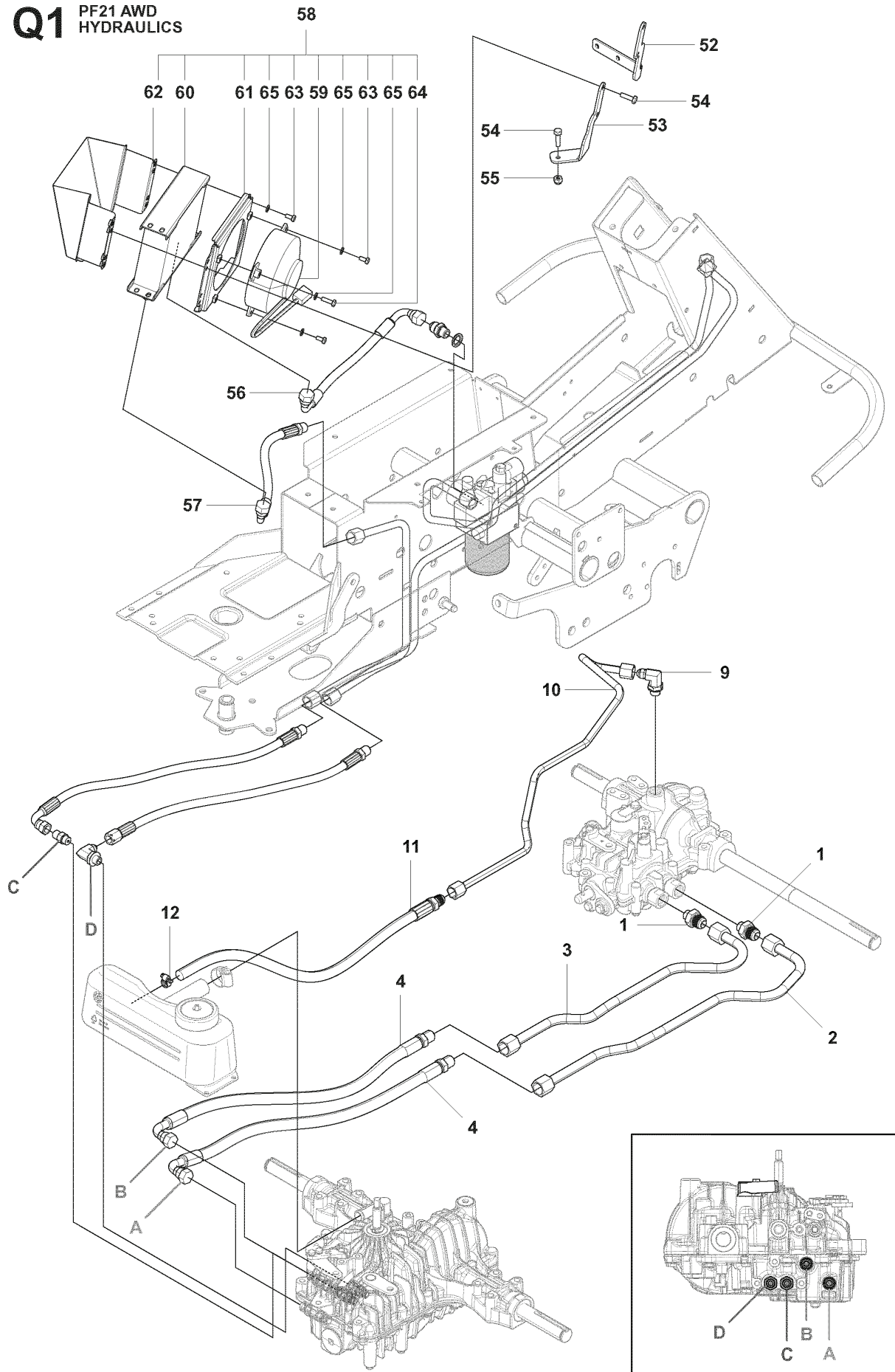
**C1** PF21, PF21 AWD  
COVER & CHASSIS



---

REF.	PART NO.	DESCRIPTION	REMARK	QTY.	KIT
1	502625501	ENGINE HOOD ASSY		1	
2	504124101	SPRING		2	
3	502482201	GRID		1	
4	504101902	AIR CONDUCTOR		1	
5	504610901	SCREW ITXPANT		5	
6	502494601	LOAD CARRIER		1	
7	544400501	SCREW		10	
8	504629501	SEALING		1	
9	504613901	GUIDE PLATE		1	
10	504613902	GUIDE PLATE		1	
11	721845401	CLEVIS PIN		2	
12	506668801	SPRING COTTER		2	
38	504101401	LID		1	

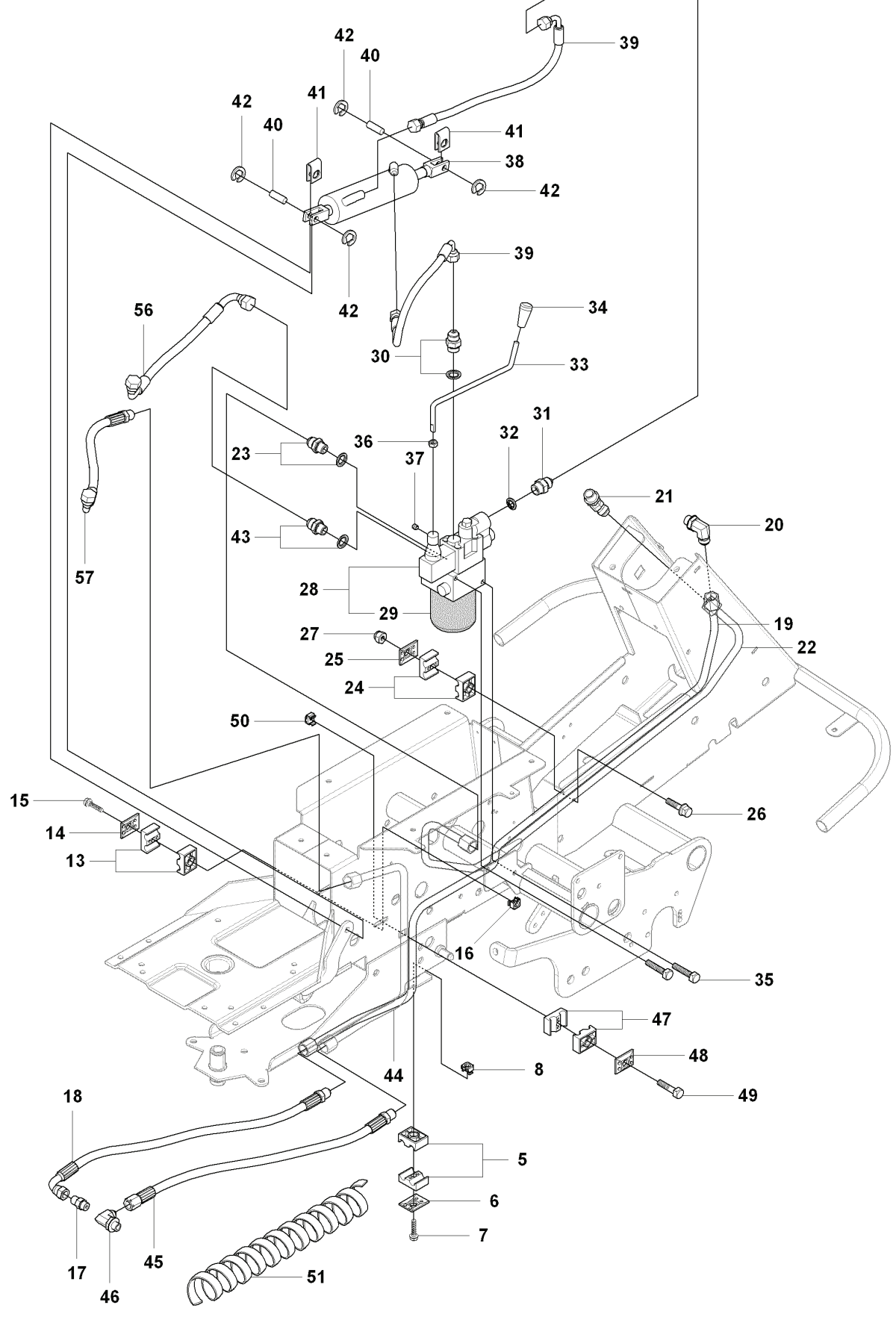
# Q1 PF21 AWD HYDRAULICS



REF.	PART NO.	DESCRIPTION	REMARK	QTY.	KIT
1	535426507	PIPE FITTING		2	
2	544450401	HYDRAULIC PIPE		1	
3	544450501	HYDRAULIC PIPE		1	
4	544456401	HYDRAULIC HOSE		2	
9	535426603	PIPE FITTING		1	
10	544448901	HYDRAULIC PIPE		1	
11	522429801	HYDRAULIC HOSE		1	
12	505131101	HOSE CLAMP		1	
51	544026603	HOSE GUARD		1	
52	504629601	BRACKET		1	
53	504629701	BRACKET		1	
54	535475212	SCREW EHHFM		7	
55	732211601	LOCK NUT		3	
56	505520401	HYDRAULIC HOSE		1	
57	505496901	HYDRAULIC HOSE		1	
58	505459001	OIL COOLER		1	
59	504629301	FAN		1	
60	505459101	OIL COOLER		1	
61	505459201	FAN COVER		1	
62	505459301	AIR INTAKE		1	
63	725236671	SCREW EHHM		6	
64	725237071	SCREW EHHM		1	
65	734115201	WASHER		7	

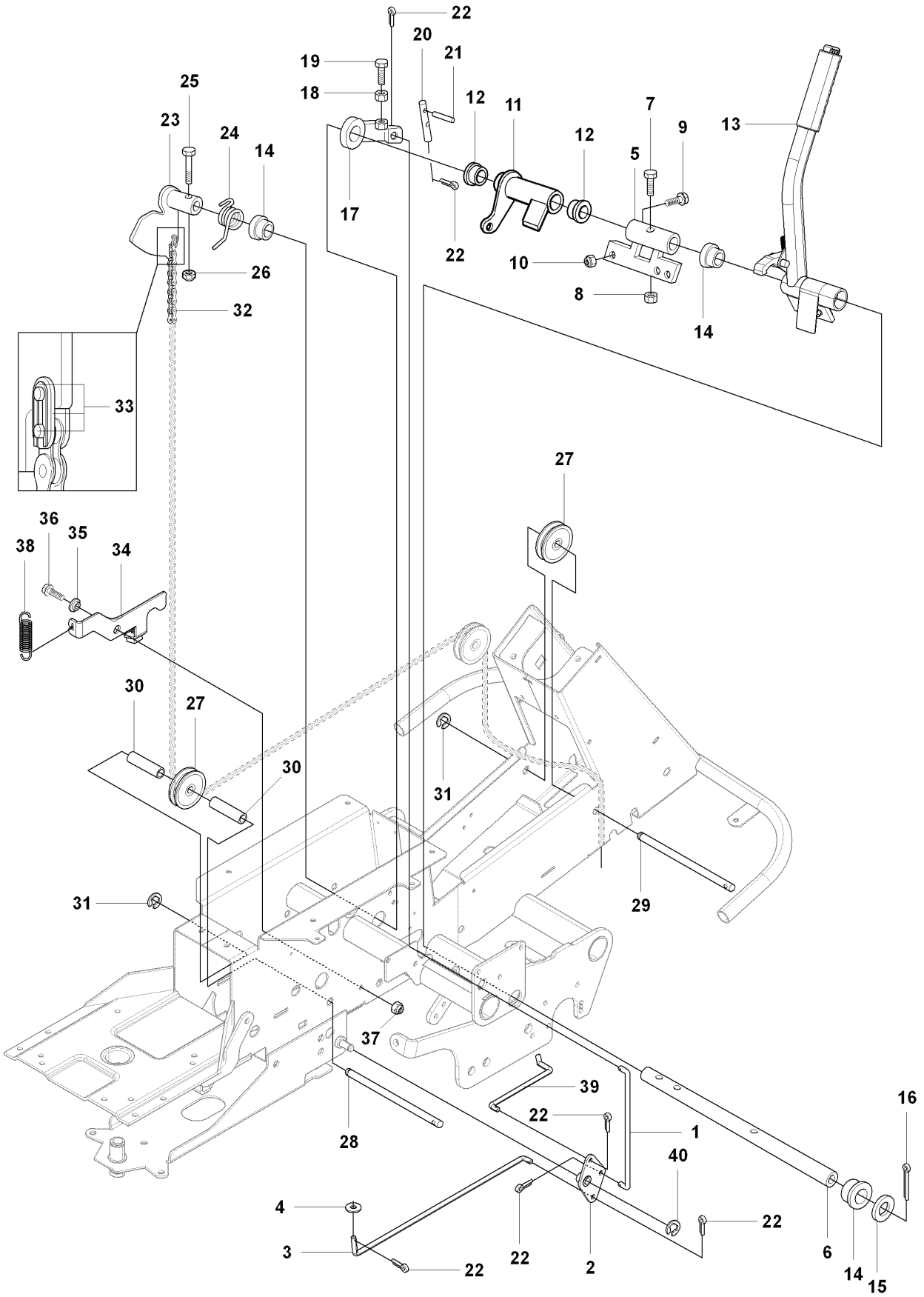


# Q2 PF21 AWD HYDRAULICS



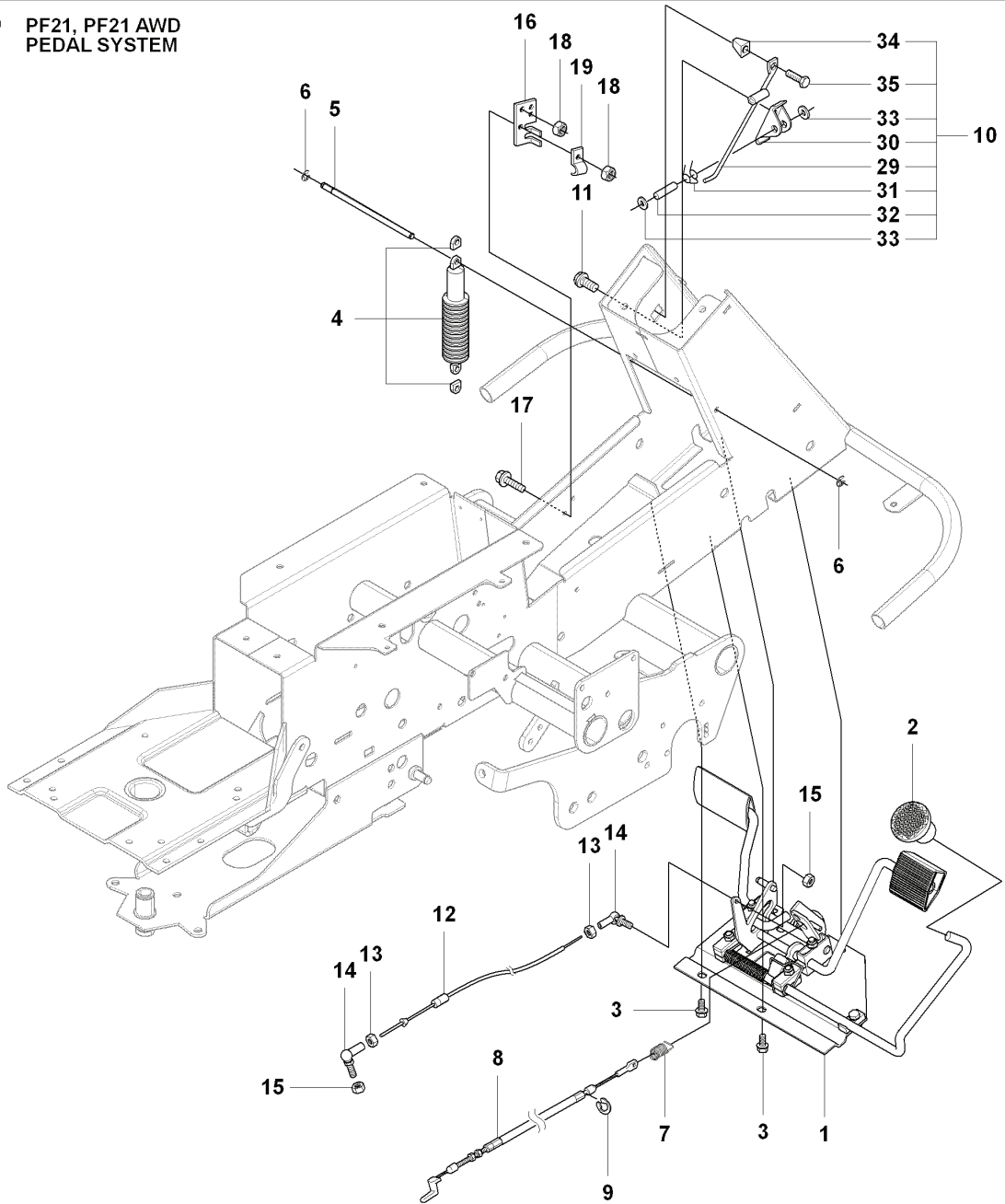
REF.	PART NO.	DESCRIPTION	REMARK	QTY.	KIT
5	544373302	PIPE CLAMP		1	
6	544373802	COVER PLATE		1	
7	506570107	SCREW EHHFM		1	
8	544811701	CAGE NUT		1	
13	544373303	PIPE CLAMP		1	
14	535438501	COVER WASHER		1	
15	535475245	SCREW EHHFM		1	
16	544811702	CAGE NUT		1	
17	535426501	PIPE FITTING		1	
18	535450301	HYDRAULIC HOSE		1	
19	544834201	HYDRAULIC PIPE		1	
20	535437301	PIPE FITTING		1	
21	535426901	PIPE FITTING		1	
22	504209901	HYDRAULIC PIPE		1	
23	535426801	PIPE FITTING		1	
24	544373303	PIPE CLAMP		1	
25	535438501	COVER WASHER		1	
26	535475245	SCREW EHHFM		1	
27	732211601	LOCK NUT		1	
28	522535601	FILTER UNIT		1	
29	535427502	FILTER		1	
30	535437001	PIPE FITTING		1	
31	535437101	PIPE FITTING		1	
32	535437201	WASHER		1	
33	505440001	LIFTING LEVER		1	
34	535438201	KNOB		1	
35	725244971	SCREW EHHM		2	
36	731231801	HEXAGON NUT		1	
37	728844305	SCREW IHSETM		1	
38	535427201	CYLINDER ASSY		1	
39	535427103	HYDRAULIC HOSE		2	
40	535437601	LOCKING PIN		2	
41	535456601	U-PLÁT		2	
42	735311200	CIRCLIP		4	
43	535426801	PIPE FITTING		1	
44	504643401	HYDRAULIC PIPE		1	
45	575790801	HYDRAULIC HOSE		1	
46	535426601	PIPE FITTING		1	
47	544373303	PIPE CLAMP		1	
48	535438501	COVER WASHER		1	
49	535475245	SCREW EHHFM		1	
50	544811702	CAGE NUT		1	
56	505520401	HYDRAULIC HOSE		1	
57	505496901	HYDRAULIC HOSE		1	
51	544026603	HOSE GUARD		1	

**D** PF21, PF21 AWD  
LIFTING SYSTEM

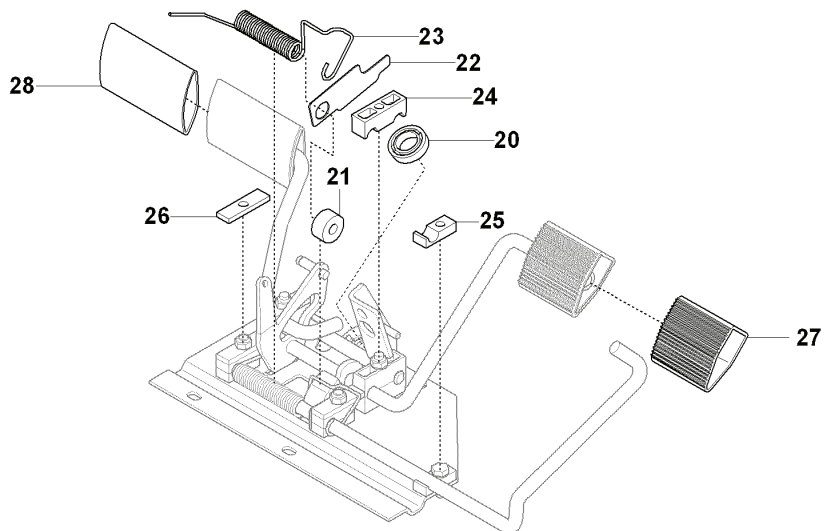


REF.	PART NO.	DESCRIPTION	REMARK	QTY.	KIT
1	506665901	CLUTCH ROD FRONT		1	
2	504636701	LINK		1	
3	535444702	CLUTCH ROD REAR		1	
4	734116441	WASHER		1	
5	506951101	DRIVER ASSY		1	
6	506968001	SHAFT		1	
7	725254451	SCREW EHHM		1	
8	732252201	HEXAGON LOCKING NUT		1	
9	725245351	SCREW EHHM		2	
10	731231801	HEXAGON NUT		2	
11	506951401	ACTUATOR		1	
12	506556501	BEARING		2	
13	504907901	LIFTING LEVER ASSY		1	
14	506556501	BEARING		3	
15	506515701	WASHER		1	
16	721620101	SPLIT PIN		1	
17	506784301	LINK ASSY		1	
18	731232051	HEXAGON NUT		1	
19	725249751	SCREW		1	
20	506905301	PEN		1	
21	721125930	GROOVED PIN		1	
22	721618301	SPLIT PIN		6	
23	506940501	LIFTING ARM		1	
24	506817001	SPRING		1	
25	725254471	SCREW EHHM		1	
26	732252201	HEXAGON LOCKING NUT		1	
27	506905601	OFFSET PULLEY		2	
28	506905701	SHAFT		1	
29	506905702	SHAFT		1	
30	506905801	TUBE SLEEVE		2	
31	735311820	E-CLIP		2	
32	506554608	CHAIN		1	
33	506554701	LINKAGE		1	
34	504628701	BRAKE LEVER		1	
35	506918702	WASHER		1	
36	506570105	SCREW EHHFM		1	
37	732211801	LOCK NUT		1	
38	506542501	SPRING		1	
39	504636801	ROD		1	
40	735311420	E-CLIP		1	

**F** PF21, PF21 AWD  
PEDAL SYSTEM

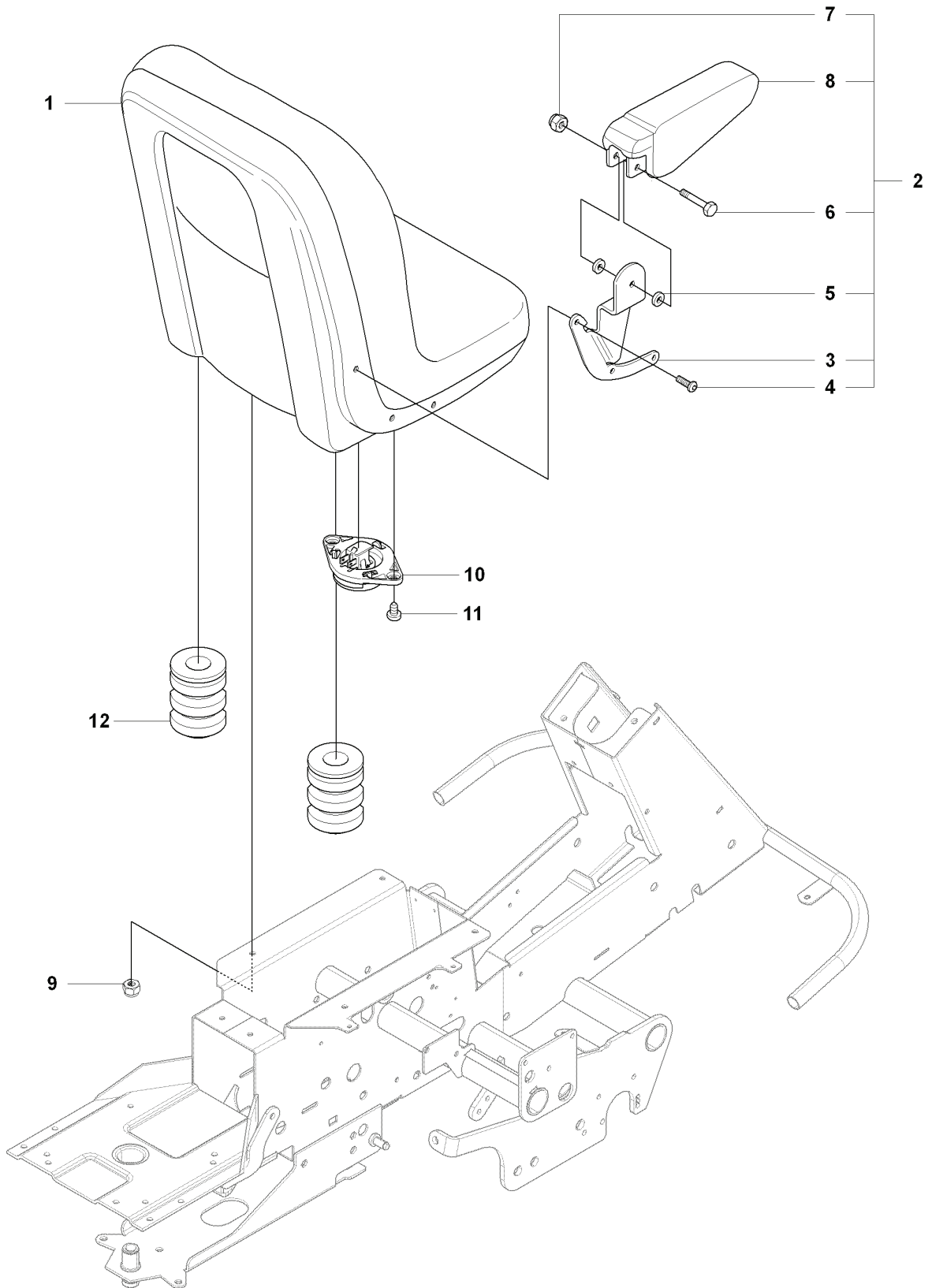


**PEDALS**



REF.	PART NO.	DESCRIPTION	REMARK	QTY.	KIT
1	544126001	PEDAL PLATE ASSY		1	
2	535473701	KNOB		1	
3	506570104	SCREW EHHFM		4	
4	506938301	DAMPING PIECE		1	
5	506938402	SHAFT		1	
6	735310920	E-CLIP		2	
7	506946301	BRAKE SPRING		1	
8	506992702	CABLE		1	
8	535489601	BRAKE WIRE		1	
9	735310920	E-CLIP		1	
10	506538404	BROMSSPÄRR KPL. GEM.		1	
11	725236461	SCREW EHHFT		2	
12	505515101	CONTROL CABLE		1	
13	731231401	HEXAGON NUT		2	
14	506557301	VINKELLAS8 DIN71802		2	
15	732211401	LOCK NUT		2	
16	506800001	BRACKET		1	
17	535475316	SCREW EHHFM		2	
18	732211401	LOCK NUT		2	
19	506566501	CLIP		1	
20	738210204	BALL BEARING		1	
21	535480201	ROLLER		1	
22	535480601	PROTECTIVE PLATE		1	
23	535480701	SPRING		1	
24	535480801	BEARING SUPPORT		4	
25	535480901	BEARING SUPPORT		5	
26	535481001	REINFORCEMENT PLATE		3	
27	535478801	PEDAL		1	
28	535478802	PEDAL		1	
29	506538501	LOCKING ARM		1	
30	506538601	BRACKET		1	
31	506538901	SPRING		1	
32	506538801	SHAFT		1	
33	735583501	WASHER		2	
34	506538704	CONTROL BUTTON		1	
35	729532971	SCREW CRPANT		1	

**A** PF21, PF21 AWD  
SEAT

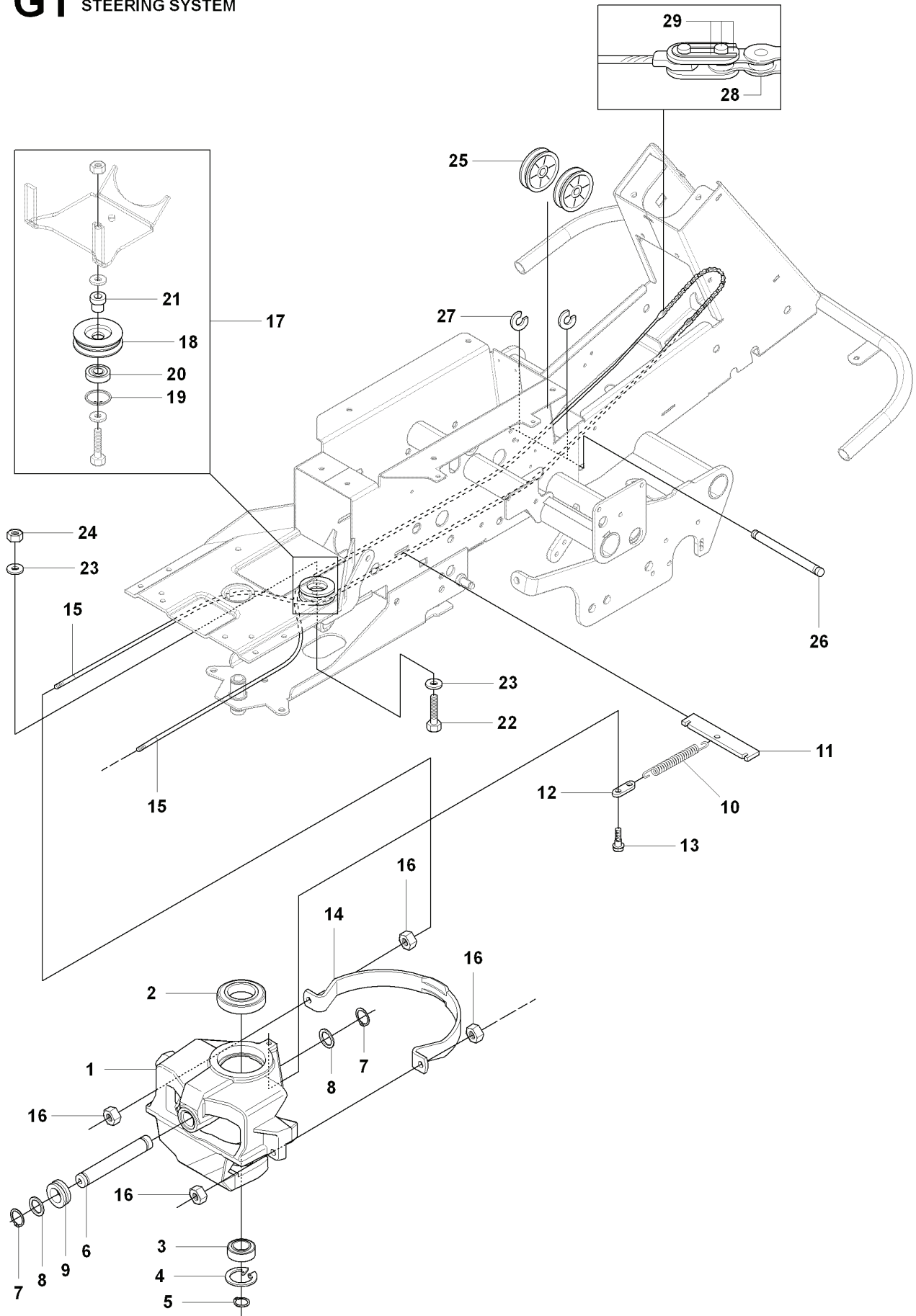


---

REF.	PART NO.	DESCRIPTION	REMARK	QTY.	KIT
1	535458501	SEAT ASSY		1	
2	535458601	ARM REST KIT		1	
3	535414975	BRACKET		1	
3	535414976	BRACKET		1	
4	535414977	SCREW		6	
5	535414978	SPACER		4	
6	535414979	SCREW		2	
7	535414980	NUT		2	
8	535414981	ARMSTÖD		2	
9	732211801	LOCK NUT		4	
10	506565601	SÄTESBRYTARE KPL		1	
11	503218816	SCREW IH SCT		2	
12	529292401	DAMPING PIECE		1	

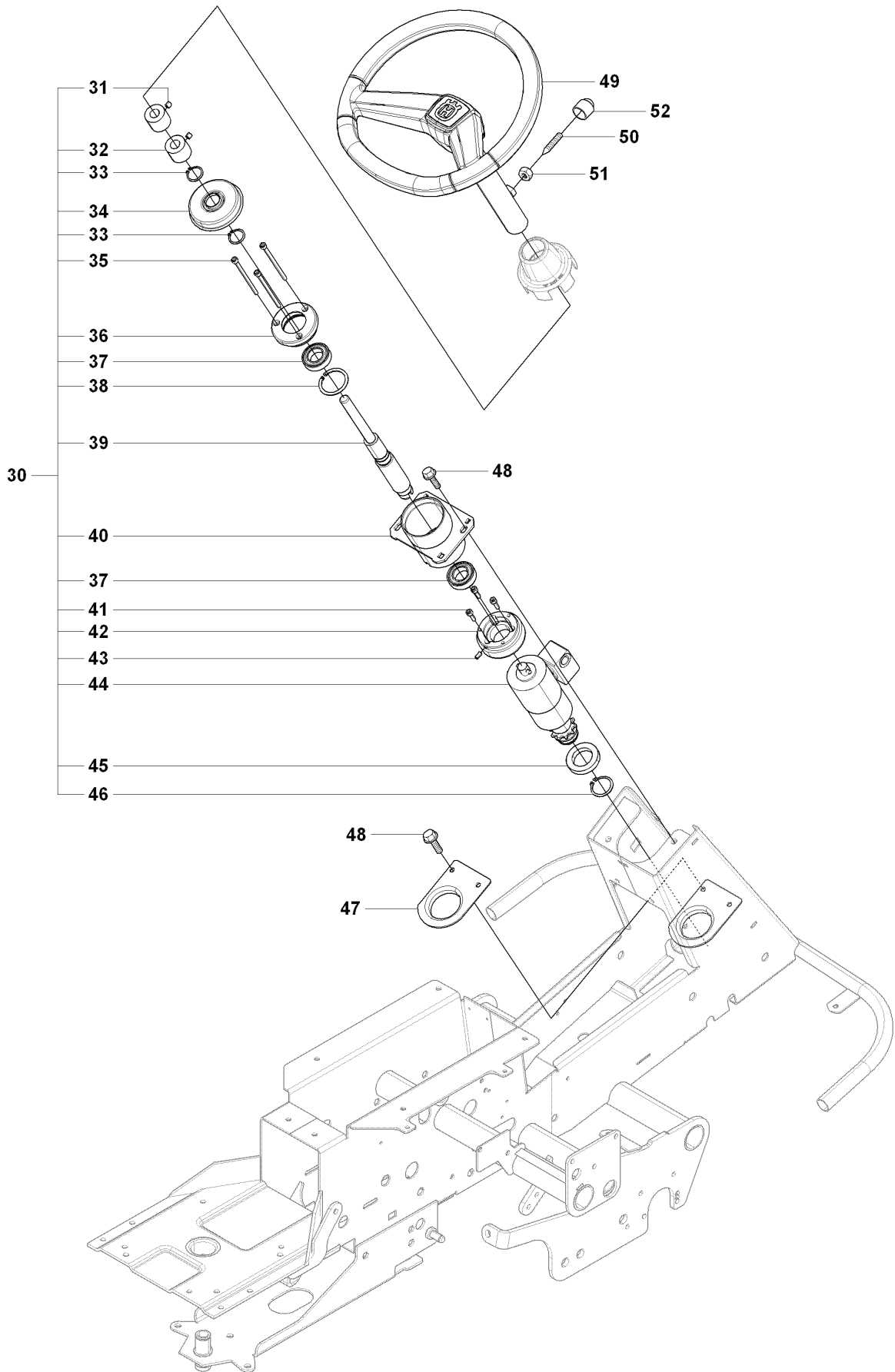


# G1 PF21, PF21 AWD STEERING SYSTEM



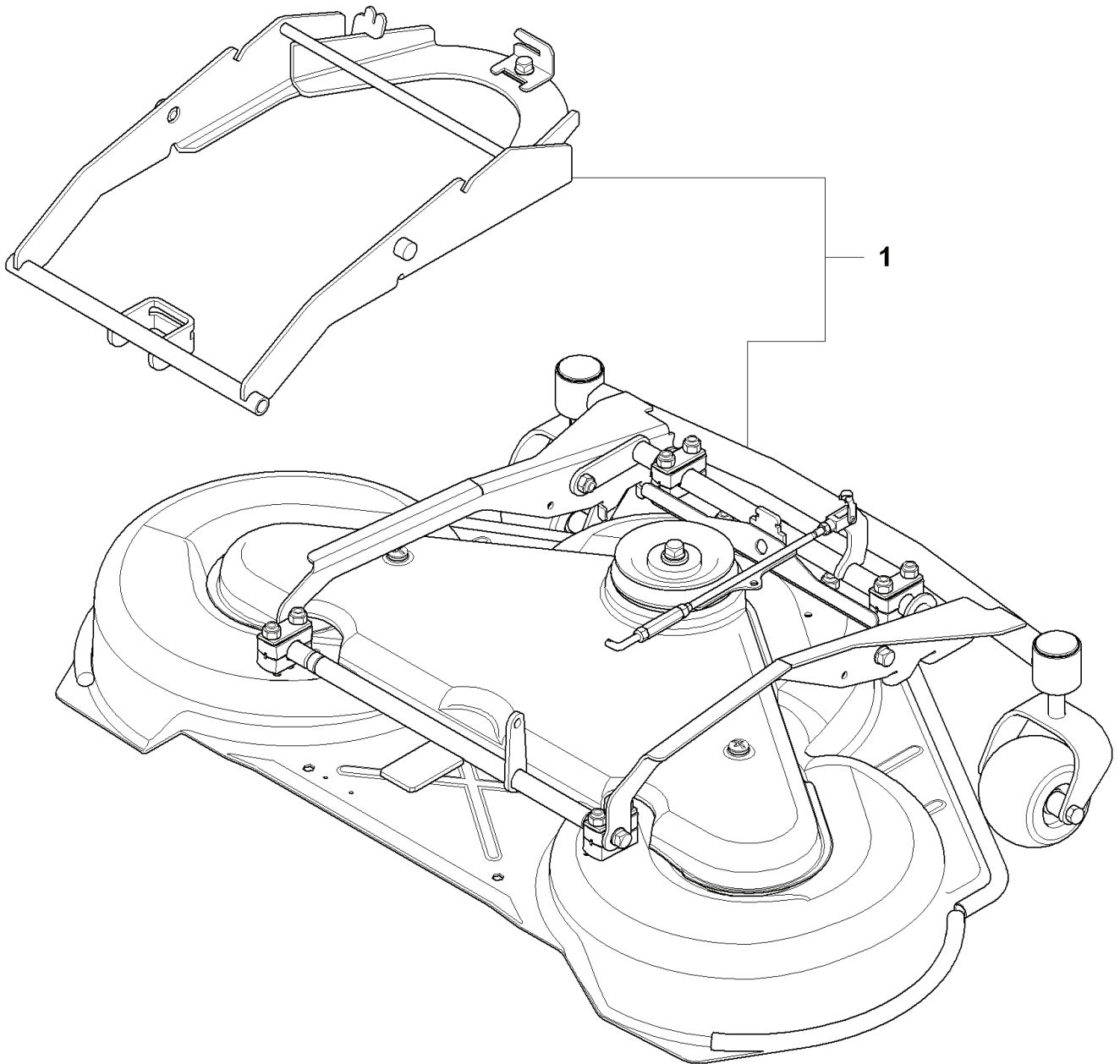
REF.	PART NO.	DESCRIPTION	REMARK	QTY.	KIT
1	506934702	SPINDLE		1	
2	738211004	BALL BEARING		1	
3	738210504	BALL BEARING		1	
4	735314010	CIRCLIP		1	
5	735312600	CIRCLIP		1	
6	535463001	SWING AXLE		1	
7	735312600	CIRCLIP		2	
8	506773401	WASHER		2	
9	740681421	V-RING		1	
10	506671901	SPRING		1	
11	506576301	SPRING RETAINER		1	
12	506670801	LINK		1	
13	506597401	SCREW EHHFM		1	
14	544427301	WIRE GUIDE		1	
15	506589103	WIRE ASSY		2	
16	731232051	HEXAGON NUT		4	
17	506500903	BARRING WHEEL		1	
18	535424101	BARRING WHEEL		1	
19	735314010	CIRCLIP		1	
20	738220419	BALL BEARING		1	
21	506500802	BUSHING		1	
22	725250051	SCREW EHHM		1	
23	734117441	WASHER		2	
24	732212051	NUT		1	
25	506522401	STARTER PULLEY		2	
26	506539401	SHAFT		1	
27	735311420	E-CLIP		2	
28	506554601	CHAIN		1	
29	506554701	LINKAGE		2	

# G2 PF21, PF21 AWD STEERING SYSTEM



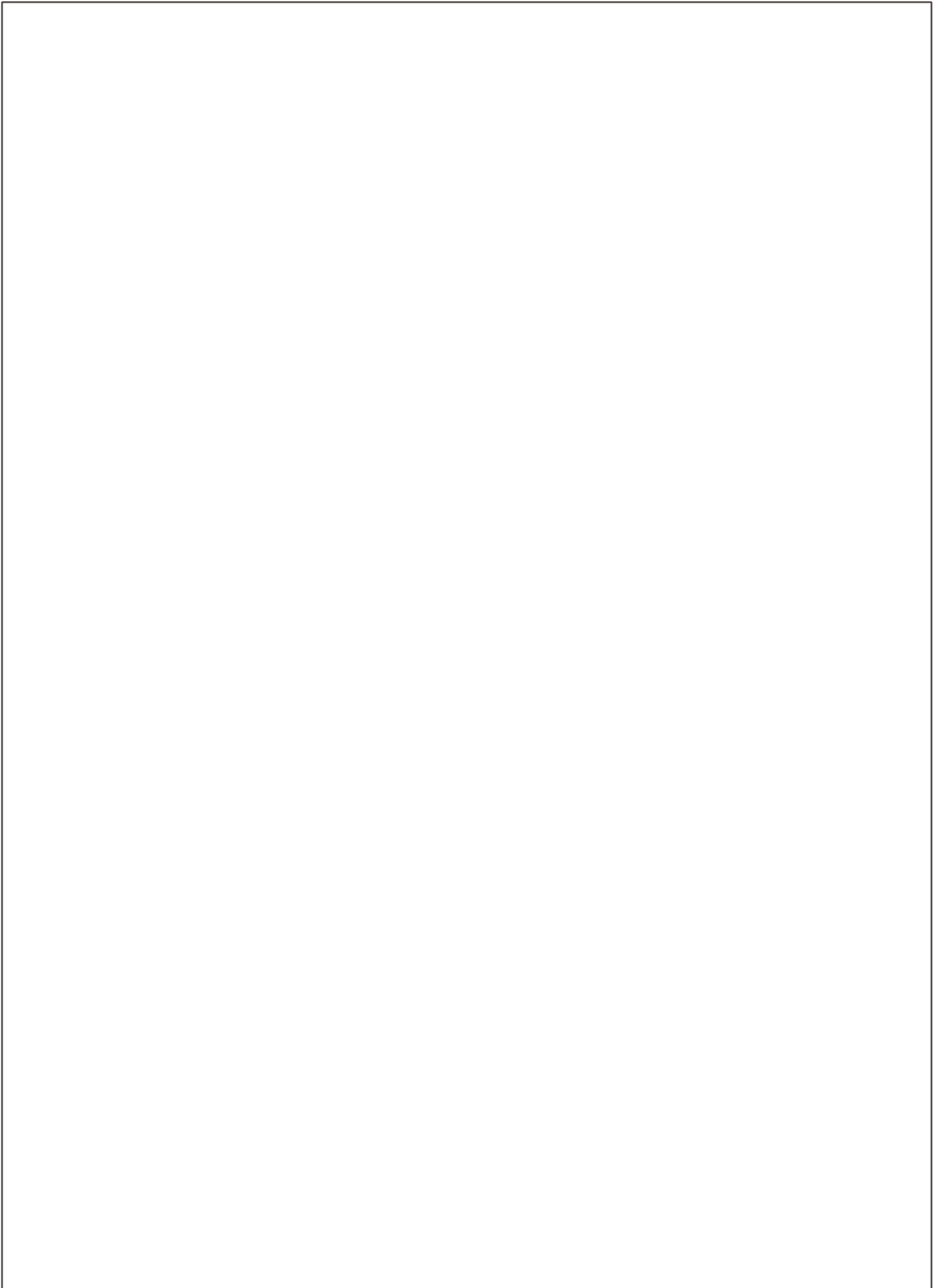
REF.	PART NO.	DESCRIPTION	REMARK	QTY.	KIT
30	502636001	COMFORT STEERING		1	
31	728844305	SCREW IHSETM		2	
32	506863401	DRIVER		2	
33	735312600	CIRCLIP		2	
34	535423701	BELLOWS		1	
35	535432801	SCREW IHSCM		3	
36	535423601	BEARING HOUSING		1	
37	738210504	BALL BEARING		2	
38	735314010	CIRCLIP		1	
39	535421901	STEERING ROD		1	
40	502296201	REINFORCING TUBE		1	
41	725537001	SCREW IHSCM		3	
42	535423501	BEARING HOUSING		1	
43	721433501	SPRING PIN		1	
44	535457102	COMFORT STEERING		1	
45	535427801	BALL BEARING		1	
46	735313300	CIRCLIP		1	
47	504538201	BEARING CAGE		1	
48	506570104	SCREW EH-HFM		4	
49	544375201	STEERING WHEEL		1	
50	728745505	SCREW IHSETM		1	
51	731231801	HEXAGON NUT		1	
52	544433201	PROTECTIVE COVER		1	

**T** MOWER DECK, CT112



---

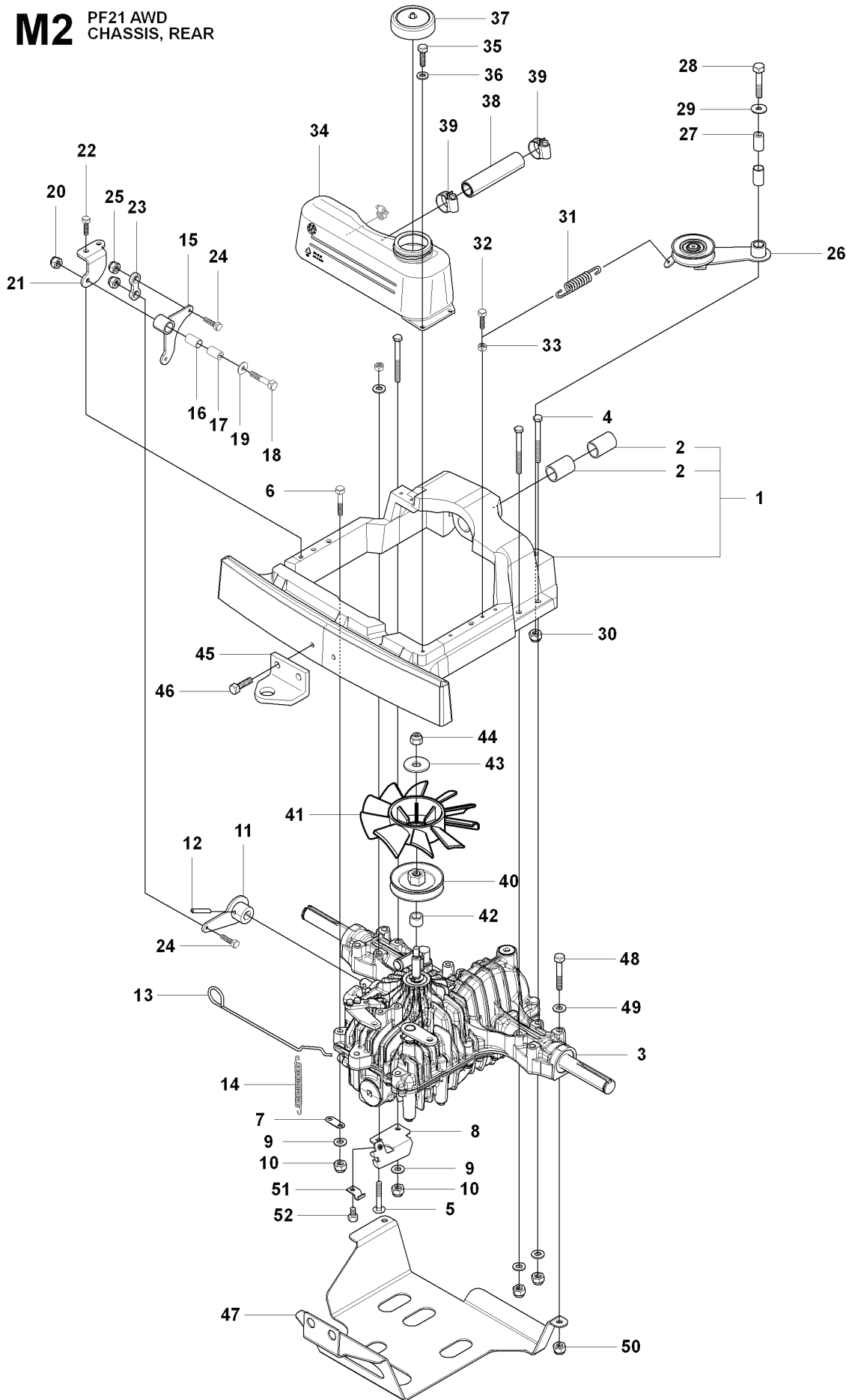
REF.	PART NO.	DESCRIPTION	REMARK	QTY.	KIT
1	965197301	CUTTING DECK		1	



REF.	PART NO.	DESCRIPTION	REMARK	QTY.	KIT
1	504569901	DECK SHELL ASSY		1	
2	506916201	NUT		3	
3	544449301	PLUG		1	
4	506570104	SCREW EHHFM		3	
5	535503501	MANDREL		1	
6	544067801	BEARING HOUSING		1	
7	535428701	SHAFT		1	
8	535428801	SPACER		1	
9	738220519	BALL BEARING		2	
10	535503502	MANDREL		2	
11	544067801	BEARING HOUSING		1	
12	535428702	SHAFT		1	
13	535428801	SPACER		1	
14	738220519	BALL BEARING		2	
15	535423801	SCREW RSQM		12	
16	734116401	WASHER		12	
17	732211801	LOCK NUT		12	
18	535429001	PULLEY		4	
19	506533501	PARALLEL KEY		7	
20	535428801	SPACER		1	
21	535429201	WASHER		3	
22	725254251	SCREW EHHM		3	
23	535504201	ADAPTER		3	
24	504187810	BLADE		3	
25	506792302	KNIFE PLATE		3	
26	725254251	SCREW EHHM		3	
27	506540701	BELT TENSIONER ASSY		1	
28	506519501	SPÄNNARM KPL.		1	
29	506532701	PULLEY		1	
30	734116441	WASHER		1	
31	506558302	SCREW EHHFT		1	
32	506918702	WASHER		1	
33	725245171	SCREW EHHM		1	
34	732211801	LOCK NUT		1	
35	506533101	SPRING		1	
36	589531901	BELT		1	
37	544096201	BELT COVER		1	
38	506982601	SCREW		2	
39	506559701	WASHER		2	
72	506789701	LABEL		1	
73	544238112	LABEL		1	
74	506929001	LABEL		1	

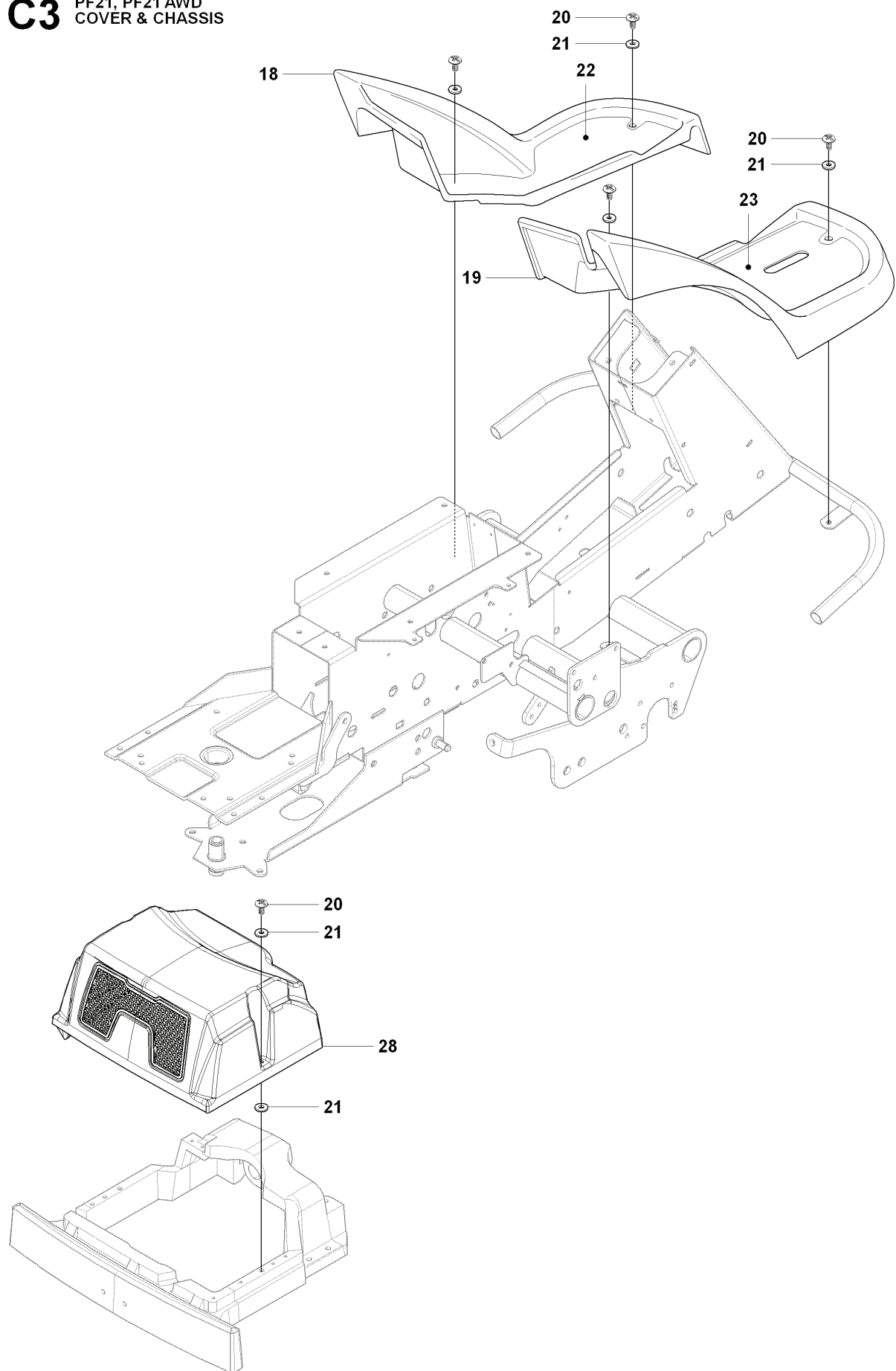


# M2 PF21 AWD CHASSIS, REAR



REF.	PART NO.	DESCRIPTION	REMARK	QTY.	KIT
1	535406101	BRACKET		1	
2	506986102	GLIDLAGER		2	
3	544386501	TRANSMISSION		1	
4	504628201	SCREW EHHM		3	
5	535423808	SCREW RSQM		1	
6	725246651	SCREW		1	
7	506599301	LINK		1	
8	544388101	BRACKET		1	
9	734116401	WASHER		5	
10	732211801	LOCK NUT		5	
11	544387301	CONTROL LEVER		1	
12	721434701	SPRING PIN		1	
13	505490101	ARM		1	
14	506834301	SPRING		1	
15	544388201	LEVER		1	
16	506986103	BUSHING		1	
17	506992001	PIPE		1	
18	725246051	SCREW EHHM		1	
19	734116441	WASHER		1	
20	732211801	LOCK NUT		1	
21	544388501	BRACKET		1	
22	725244971	SCREW EHHM		2	
23	544888401	LINK RODS		1	
24	535475316	SCREW EHHFM		2	
25	732211401	LOCK NUT		2	
26	506993001	BELT TENSIONER ASSY		1	
27	506992001	PIPE		1	
28	725246251	SCREW EHHM		1	
29	734116441	WASHER		1	
30	732211801	LOCK NUT		1	
31	506542502	SPRING		1	
32	725237271	SCREW EHHM		1	
33	731231601	HEXAGON NUT		1	
34	544388601	EXPANSION TANK		1	
35	725236871	SCREW EHHM		2	
36	734115441	WASHER		2	
37	506673301	TANK CAP ASSY		1	
38	535458302	HOSE		1	
39	505443601	HOSE CLAMP		2	
40	506991401	PULLEY		1	
41	506948101	FAN		1	
42	502433801	SLEEVE		1	
43	734117441	WASHER		1	
44	732212001	LOCK NUT		1	
45	506889901	HITCH		1	
46	725249371	SCREW EHHM		2	
47	504555101	SKID PLATE		1	
48	725246451	SCREW EHHM		2	
49	734116401	WASHER		2	
50	732211801	LOCK NUT		2	
51	506566501	CLIP		1	
52	725236671	SCREW EHHM		1	

**C3** PF21, PF21 AWD  
COVER & CHASSIS



---

REF.	PART NO.	DESCRIPTION	REMARK	QTY.	KIT
18	535432103	FLYGEL VÄNSTER		1	
19	535474602	FLYGEL HÖGER		1	
20	506982601	SCREW		8	
21	506559701	WASHER		10	
22	535474701	PEDISTAL MAT		1	
23	535474702	PEDISTAL MAT		1	
28	504206301	COVER		1	

**S** PF21, PF21 AWD  
LABEL, ASSY

3



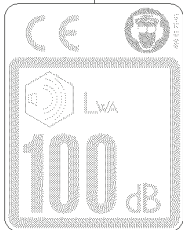
6



9



10



11



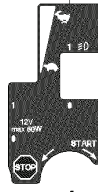
13



16



1



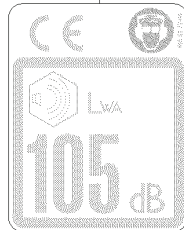
4



7



10



12



14



17



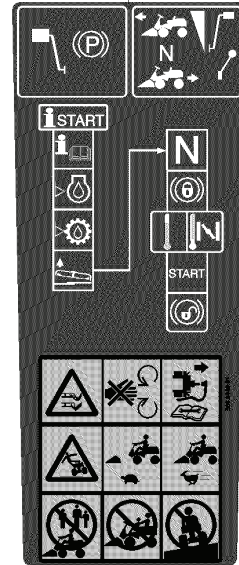
2



5



8



15



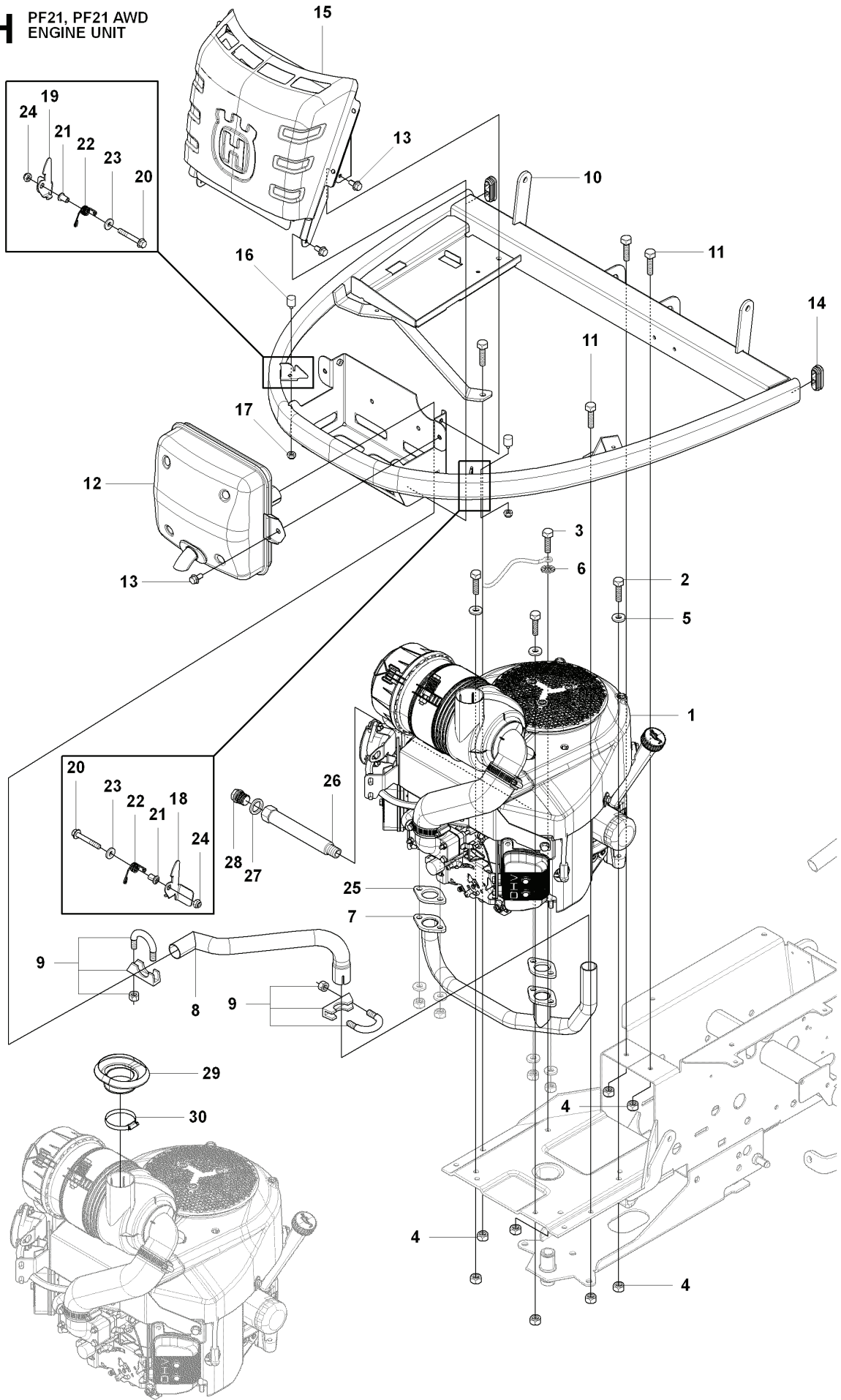
18



---

REF.	PART NO.	DESCRIPTION	REMARK	QTY.	KIT
1	535462801	CONTROL LABEL		1	
2	506893301	DECAL		1	
3	506893401	DECAL		1	
4	506893501	DECAL		1	
5	544211401	LABEL		1	
6	544833501	LABEL		2	
7	506968301	DECAL		1	
8	506944801	LABEL		1	
9	535413101	LABEL		1	
10	505217701	LABEL		1	
11	506584501	LABEL		1	
12	505514502	LABEL		1	
13	505514402	LABEL		1	
14	505516601	LABEL		1	
15	505516701	LABEL		2	
16	544391102	LABEL		1	
17	544391101	LABEL		2	
18	535458702	LABEL		1	

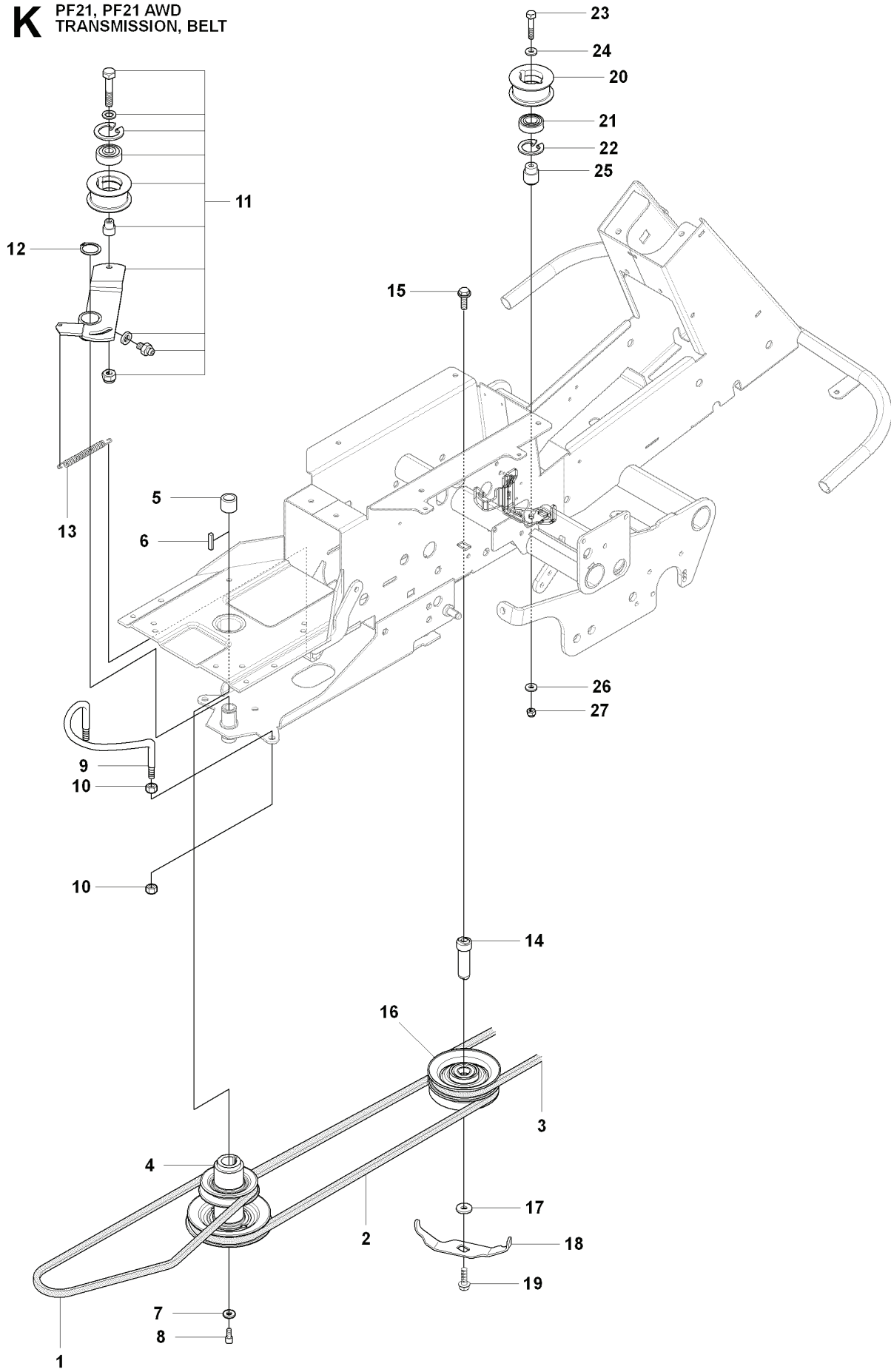
**H** PF21, PF21 AWD  
ENGINE UNIT



REF.	PART NO.	DESCRIPTION	REMARK	QTY.	KIT
1	502636601	ENGINE		1	
2	725245751	SCREW		3	
3	725245951	SCREW EHHM		1	
4	732211801	LOCK NUT		8	
5	734116401	WASHER		3	
6	735216400	LOCKWASHER		1	
7	502636801	EXHAUST PIPE		1	
8	502637001	EXHAUST EXTENDER		1	
9	506668401	CLAMP ASSY		2	
10	502530401	ENGINE FRAME		1	
11	725245171	SCREW EHHM		4	
12	544392701	MUFFLER ASSY		1	
13	535475212	SCREW EHHFM		6	
14	504643601	PLUG		2	
15	505395501	HEAT PROTECTOR		1	
16	504638801	DAMPER		2	
17	732211401	LOCK NUT		2	
18	504613401	LATCH		1	
19	504613402	LATCH		1	
20	725237451	SCREW EHHM		2	
21	504638401	BUSHING		2	
22	504639001	SPRING		2	
23	734115441	WASHER		2	
24	732211601	LOCK NUT		2	
25	535414236	GASKET		2	
26	535414416	JOINT		1	
27	531001190	O-RING		1	
28	535414460	PLUG		1	
29	504546901	BELLOWS		1	
30	544202703	HOSE CLAMP		1	

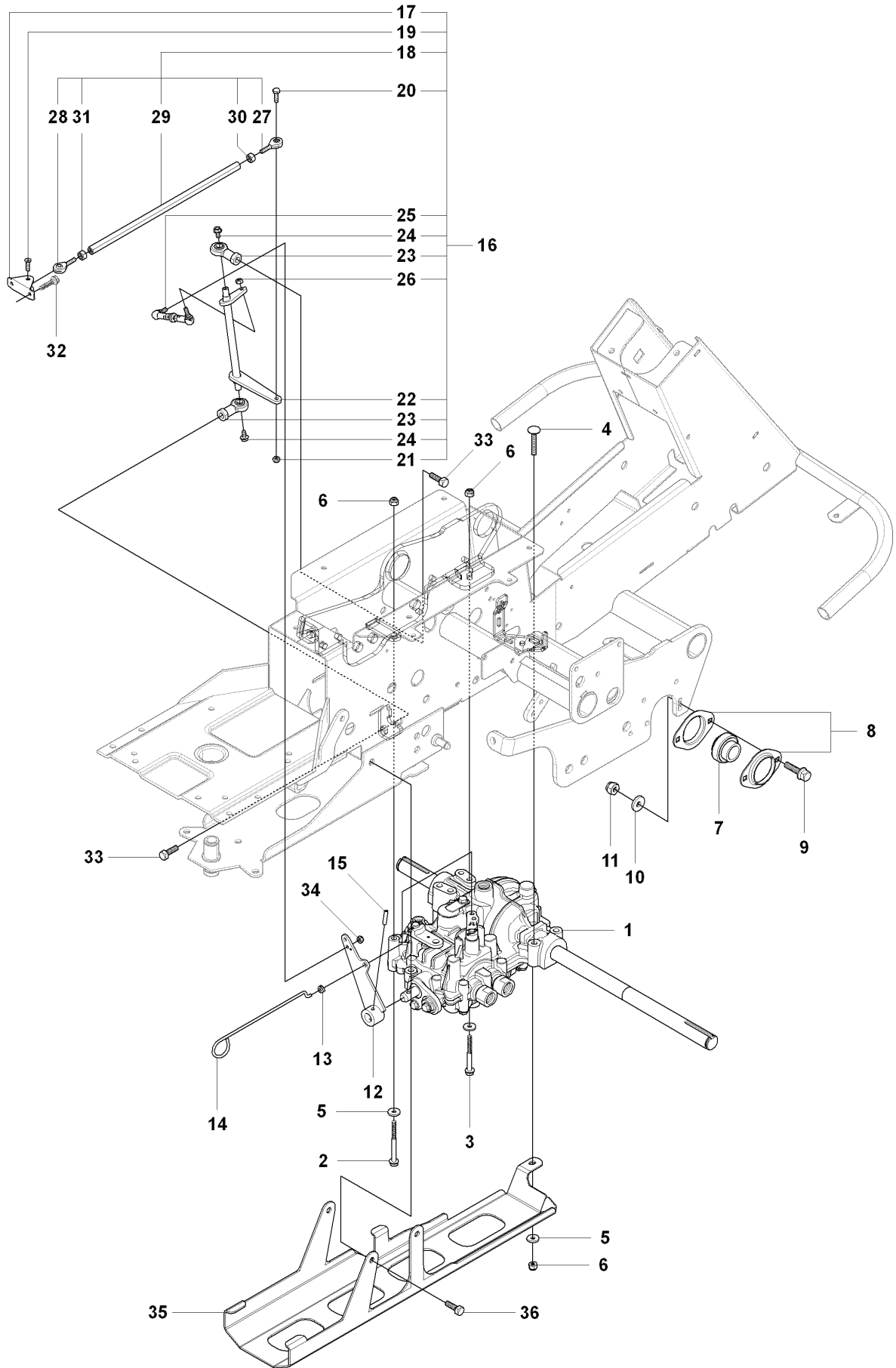


**K** PF21, PF21 AWD  
TRANSMISSION, BELT



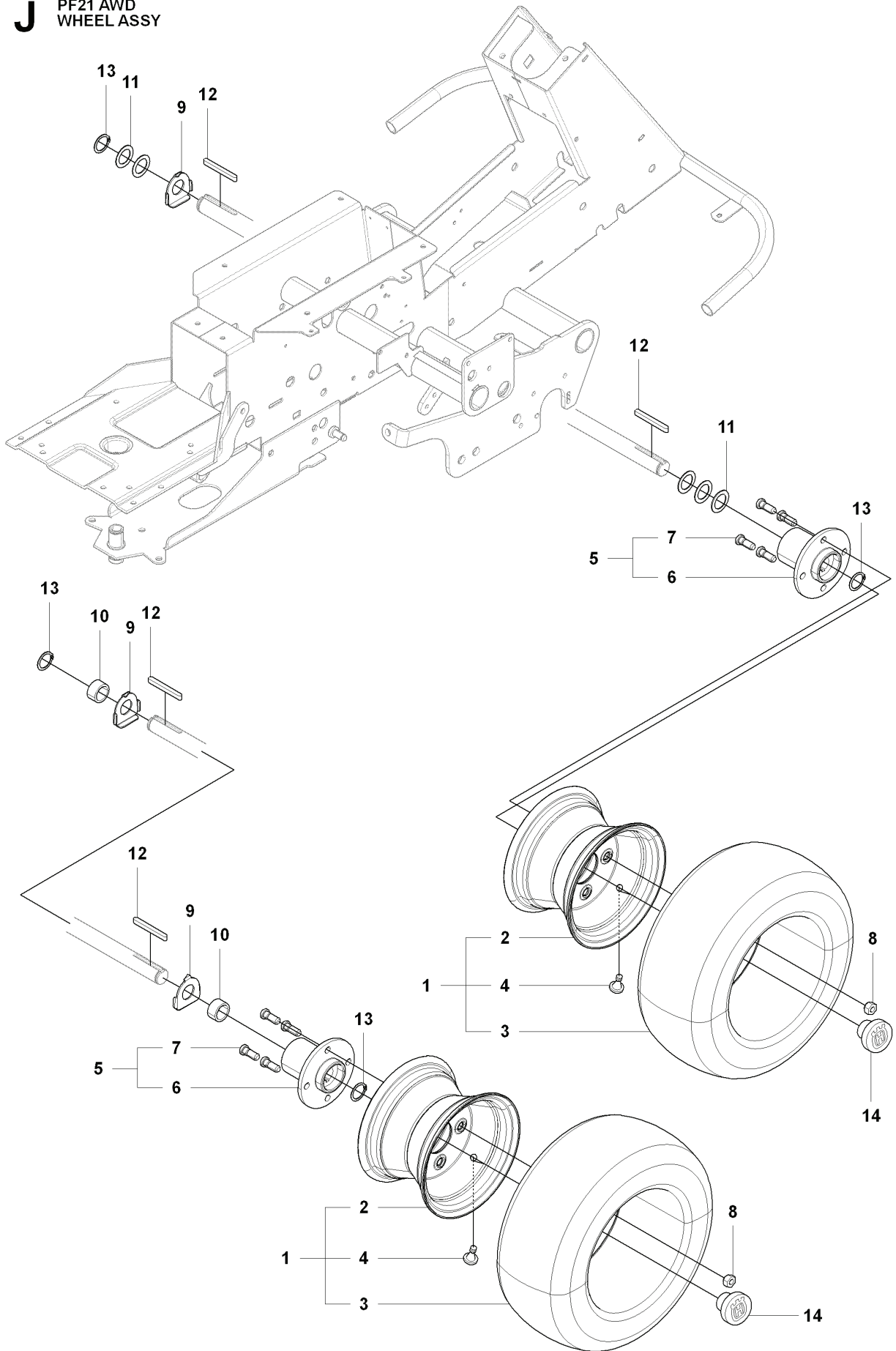
REF.	PART NO.	DESCRIPTION	REMARK	QTY.	KIT
1	506991901	DRIVE BELT		1	
2	589532901	BELT		1	
3	589531101	BELT		1	
4	535482401	PULLEY		1	
5	506509201	SPACING SLEEVE		1	
6	506555901	WEDGE		1	
7	506597501	WASHER		1	
8	506556002	SCREW UNC		1	
9	506664501	BELT GUIDE		1	
10	731232051	HEXAGON NUT		4	
11	535484402	BELT TENSIONER ASSY		1	
12	735312600	CIRCLIP		1	
13	506665601	SPRING		1	
14	544426102	SHAFT		1	
15	506675402	SCREW EHHFM		1	
16	535482201	PULLEY		1	
17	506775701	WASHER		1	
18	544405301	BELT GUIDE		1	
19	506570105	SCREW EHHFM		1	
20	506928901	PULLEY		1	
21	738210404	BALL BEARING		1	
22	735313810	CIRCLIP		1	
23	725246151	SCREW EHHM		1	
24	734116441	WASHER		1	
25	544002901	BUSHING		1	
26	734116401	WASHER		1	
27	732211801	LOCK NUT		1	

**N** PF21 AWD  
TRANSMISSION, FRONT



REF.	PART NO.	DESCRIPTION	REMARK	QTY.	KIT
1	535482901	TRANSMISSION		1	
2	725246751	SCREW EHHM		1	
3	725246451	SCREW EHHM		1	
4	535423803	SCREW RSQM		1	
5	734116401	WASHER		3	
6	732211801	LOCK NUT		3	
7	544008902	BEARING		1	
8	544009002	BEARING HOUSING		1	
9	506570105	SCREW EHHFM		2	
10	734116401	WASHER		2	
11	732211801	LOCK NUT		2	
12	544435201	LEVER		1	
13	503735801	BUSHING		1	
14	535499701	ARM		1	
15	721434701	SPRING PIN		1	
16	544841501	LINK ASSY		1	
17	535492802	BRACKET		1	
18	544456701	ROD		1	
19	544841701	SCREW		1	
20	725237071	SCREW EHHM		1	
21	732251601	HEXAGON LOCKING NUT		1	
22	535497401	LEVER		1	
23	506951701	ROD END		2	
24	535475212	SCREW EHHFM		2	
25	544441901	ADJUSTMENT ROD		1	
26	732251601	HEXAGON LOCKING NUT		1	
27	535486601	ROD END		1	
28	535486602	ROD END		1	
29	535486501	ROD		1	
30	731231601	HEXAGON NUT		1	
31	503221018	HEXAGON NUT		1	
32	725236651	HEXAGONAL SCREW M6X12		2	
33	725249371	SCREW EHHM		2	
34	732211601	LOCK NUT		1	
35	544845701	SKID PLATE		1	
36	506570104	SCREW EHHFM		3	

**J** PF21 AWD  
WHEEL ASSY



---

REF.	PART NO.	DESCRIPTION	REMARK	QTY.	KIT
1	504630002	WHEEL ASSY		4	
2	506867801	RIM		1	
3	535467901	TIRE		1	
4	506574301	VALVE ASSY		1	
5	506864601	HUB ASSY		4	
6	506890001	HUB		1	
7	506890201	BOLT		4	
8	506865001	WHEEL NUT		16	
9	505512401	WASHER STEEL		3	
10	506864601	HUB ASSY		2	
11	506504806	WASHER		5	
12	506555901	WEDGE		4	
13	735312600	CIRCLIP		4	
14	506864801	PROTECTIVE COVER		4	