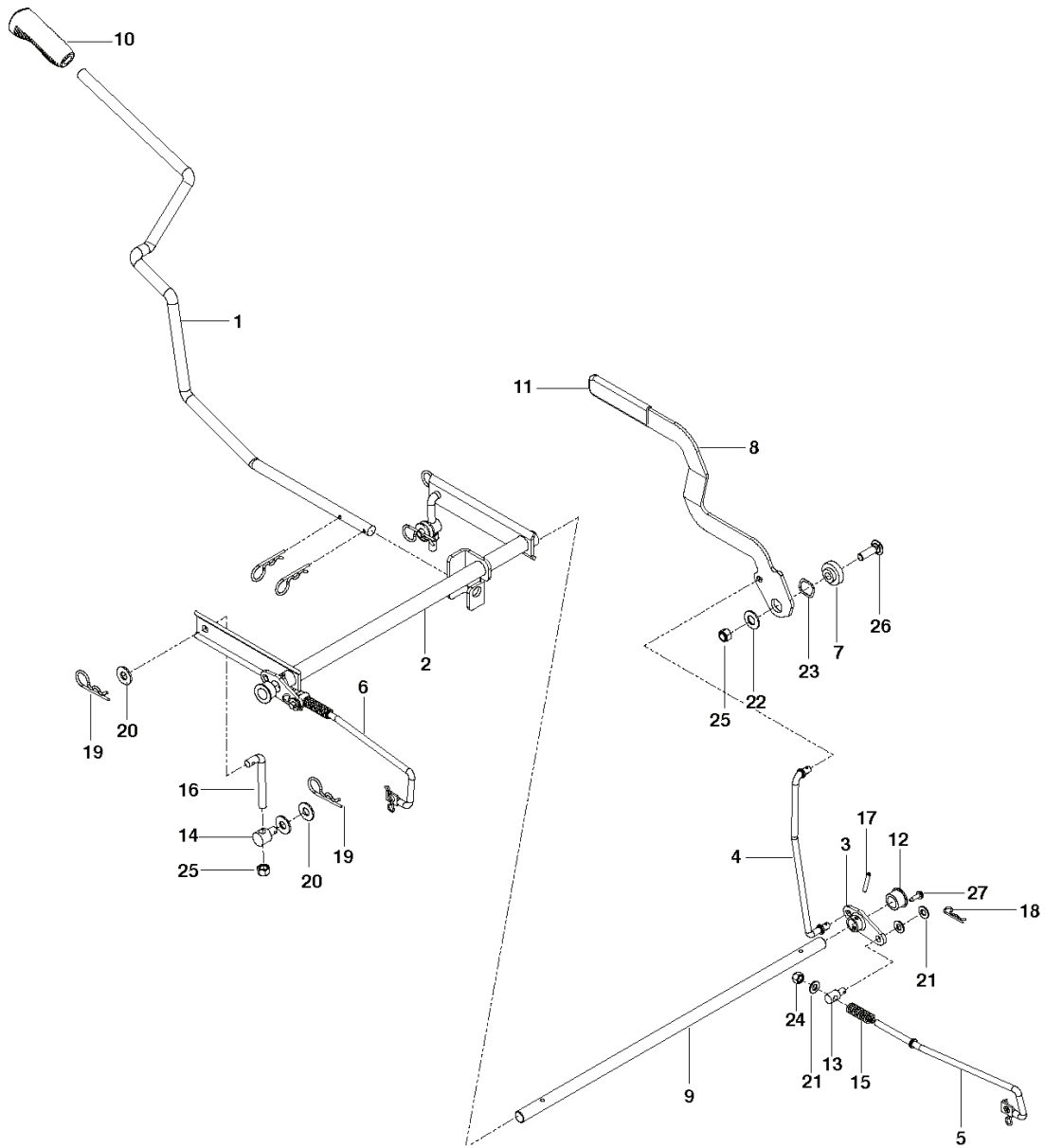


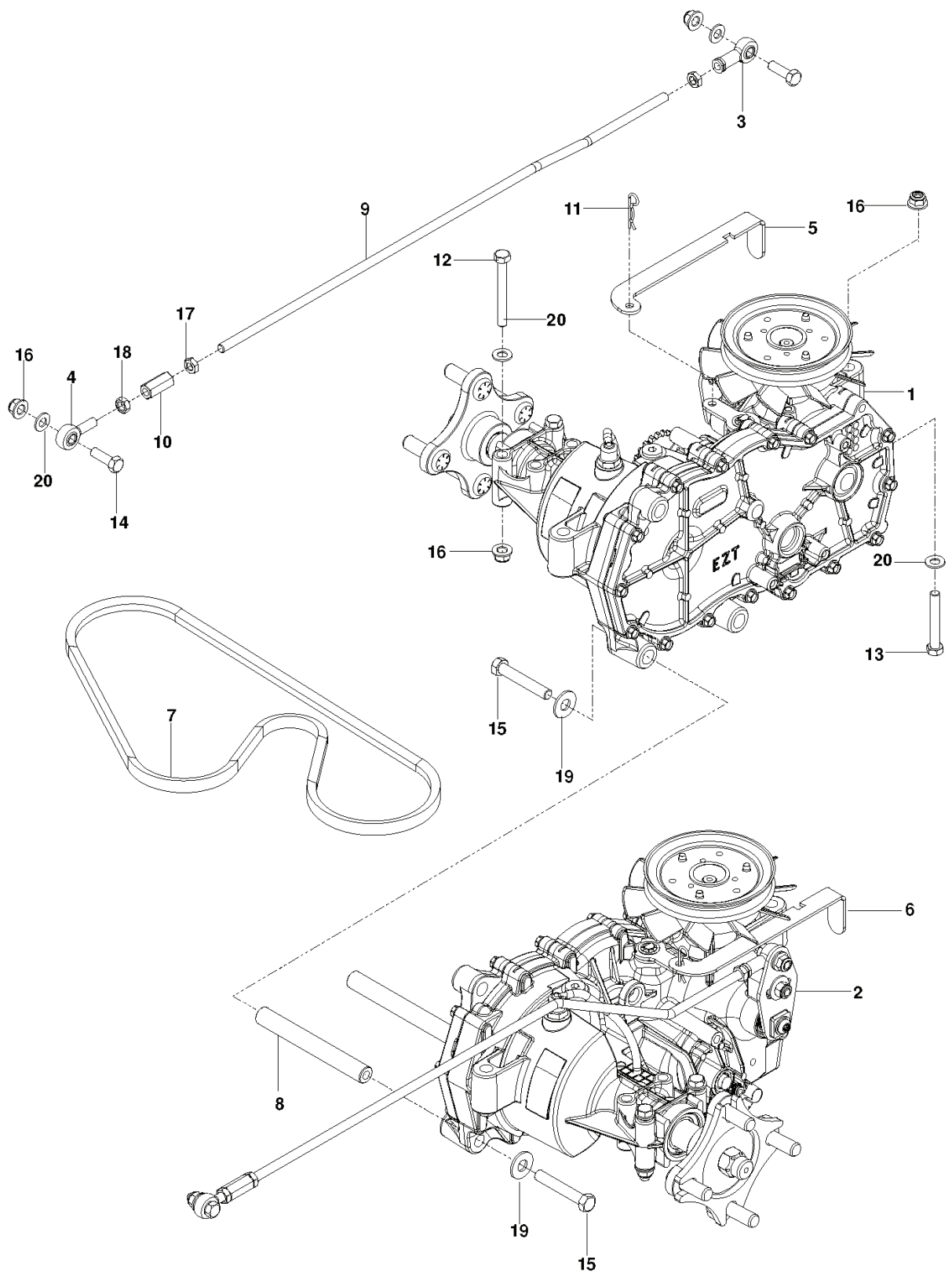
RZ 4216, 966698701, 2012-02

SPARE PARTS LIST

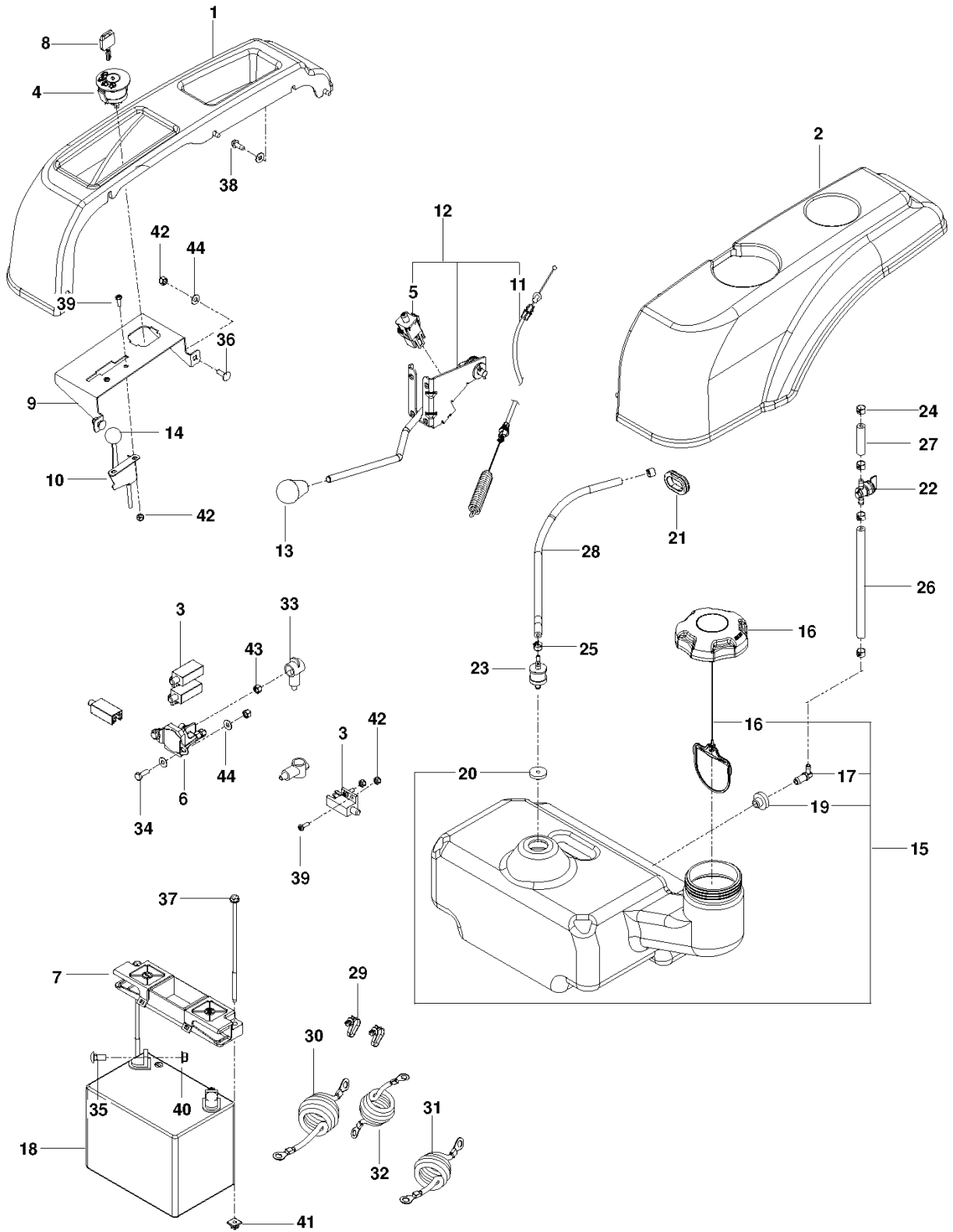
BRAKE / DECK LIFT



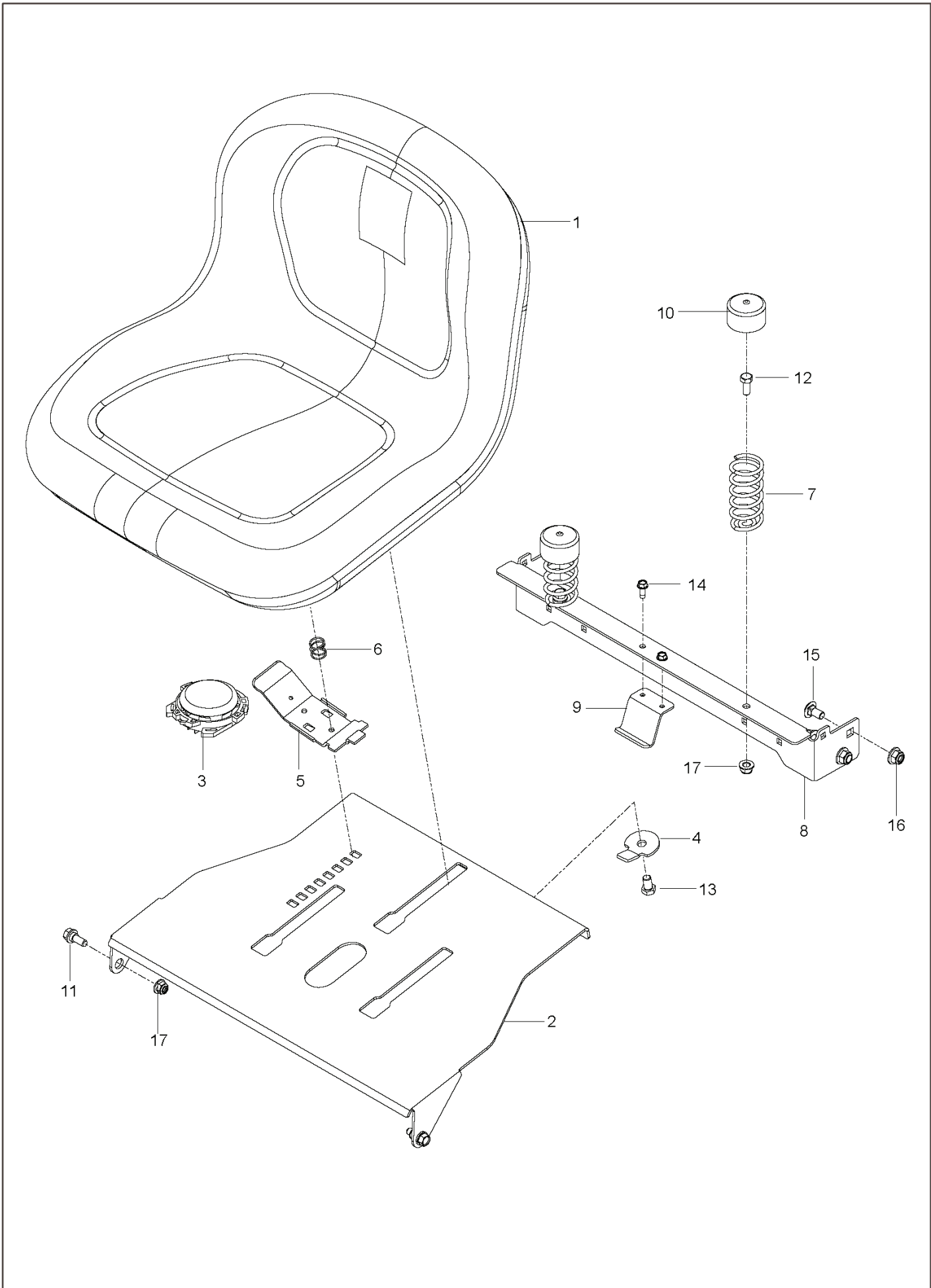
| REF. | PART NO. | DESCRIPTION | REMARK | QTY. | KIT |
|------|-----------|-----------------------------|--------|------|-----|
| 1 | 525580402 | ARM | | 1 | |
| 2 | 574356802 | SHAFT | | 1 | |
| 3 | 525580201 | BELLCRANK | | 2 | |
| 4 | 525735701 | LINKAGE | | 1 | |
| 5 | 525583601 | LINKAGE | RH | 1 | |
| 6 | 525583701 | LINKAGE | LH | 1 | |
| 7 | 539120220 | ARM | | 1 | |
| 8 | 525485602 | HANDLE | | 1 | |
| 9 | 574356601 | ROD | | 1 | |
| 10 | 532196492 | GRIP | | 1 | |
| 11 | 539120921 | GRIP | | 1 | |
| 12 | 539109368 | BUSHING | | 2 | |
| 13 | 539112308 | BRAKE SWIVEL | | 2 | |
| 14 | 539118179 | SWIVEL | | 2 | |
| 15 | 539101224 | SPRING | | 2 | |
| 16 | 539115247 | L ROD 3-1/8" | | 2 | |
| 17 | 539101082 | PIN RETAINING SCREW | | 2 | |
| 18 | 539976988 | PIN | | 4 | |
| 19 | 539976989 | SPLIT PIN | | 6 | |
| 20 | 539990517 | WASHER | | 7 | |
| 21 | 539990188 | WASHER | | 6 | |
| 22 | 539102843 | WASHER | | 1 | |
| 23 | 539133007 | WASHER | | 1 | |
| 24 | 539990717 | NUT | | 2 | |
| 25 | 539976979 | NUT | | 3 | |
| 26 | 539100413 | RHSNB 3/8-16 X 1-1/4 GD5 ZN | | 1 | |
| 27 | 539991034 | SCREW | | 2 | |



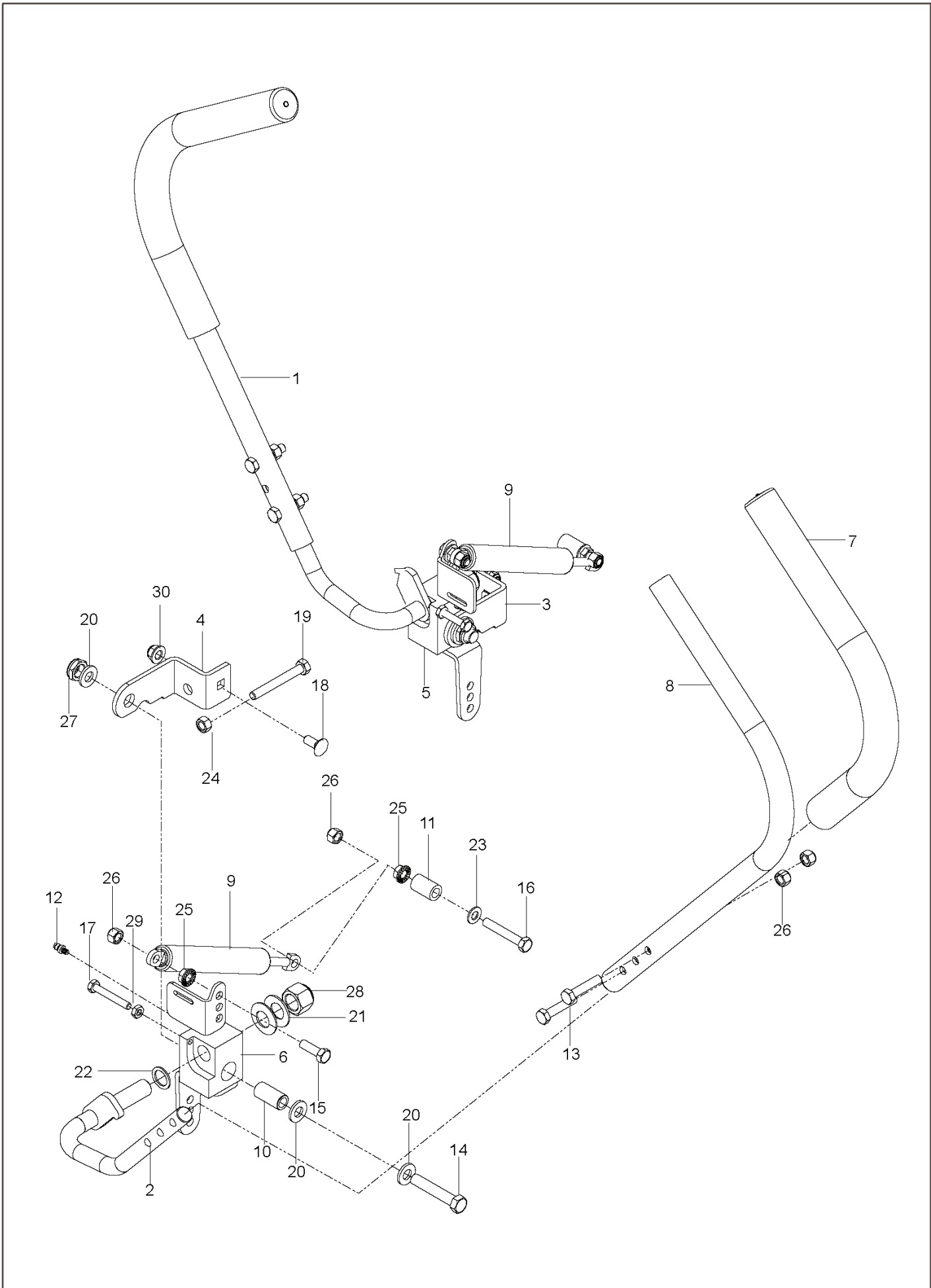
| REF. | PART NO. | DESCRIPTION | REMARK | QTY. | KIT |
|------|-----------|--------------------------------|--------|------|-----|
| 1 | 539120152 | HYDRO | | 1 | |
| 2 | 539120153 | HYDRO | | 1 | |
| 3 | 539115729 | RH ROD END | | 2 | |
| 4 | 539116690 | ROD END - LH | | 2 | |
| 5 | 539120157 | RELEASE LEVER RH | | 1 | |
| 6 | 539120156 | RELEASE LEVER LH | | 1 | |
| 7 | 575852401 | BELT | | 1 | |
| 8 | 574356501 | SPACING TUBE | | 2 | |
| 9 | 539120169 | CONTROL ROD | | 2 | |
| 10 | 539116689 | ROD END COUPLER | | 2 | |
| 11 | 539976988 | PIN | | 2 | |
| 12 | 539101721 | SCREW | | 4 | |
| 13 | 539976938 | CAPSCREW 5/16 X 2-1/4 HED HEAD | | 2 | |
| 14 | 539990209 | SCREW | | 4 | |
| 15 | 539990629 | SCREW | | 4 | |
| 16 | 539112899 | NUT, 5/16-18, NYLOC | | 10 | |
| 17 | 539115502 | NUT | | 4 | |
| 18 | 539991073 | NUT | | 2 | |
| 19 | 539990517 | WASHER | | 4 | |
| 20 | 539990188 | WASHER | | 10 | |



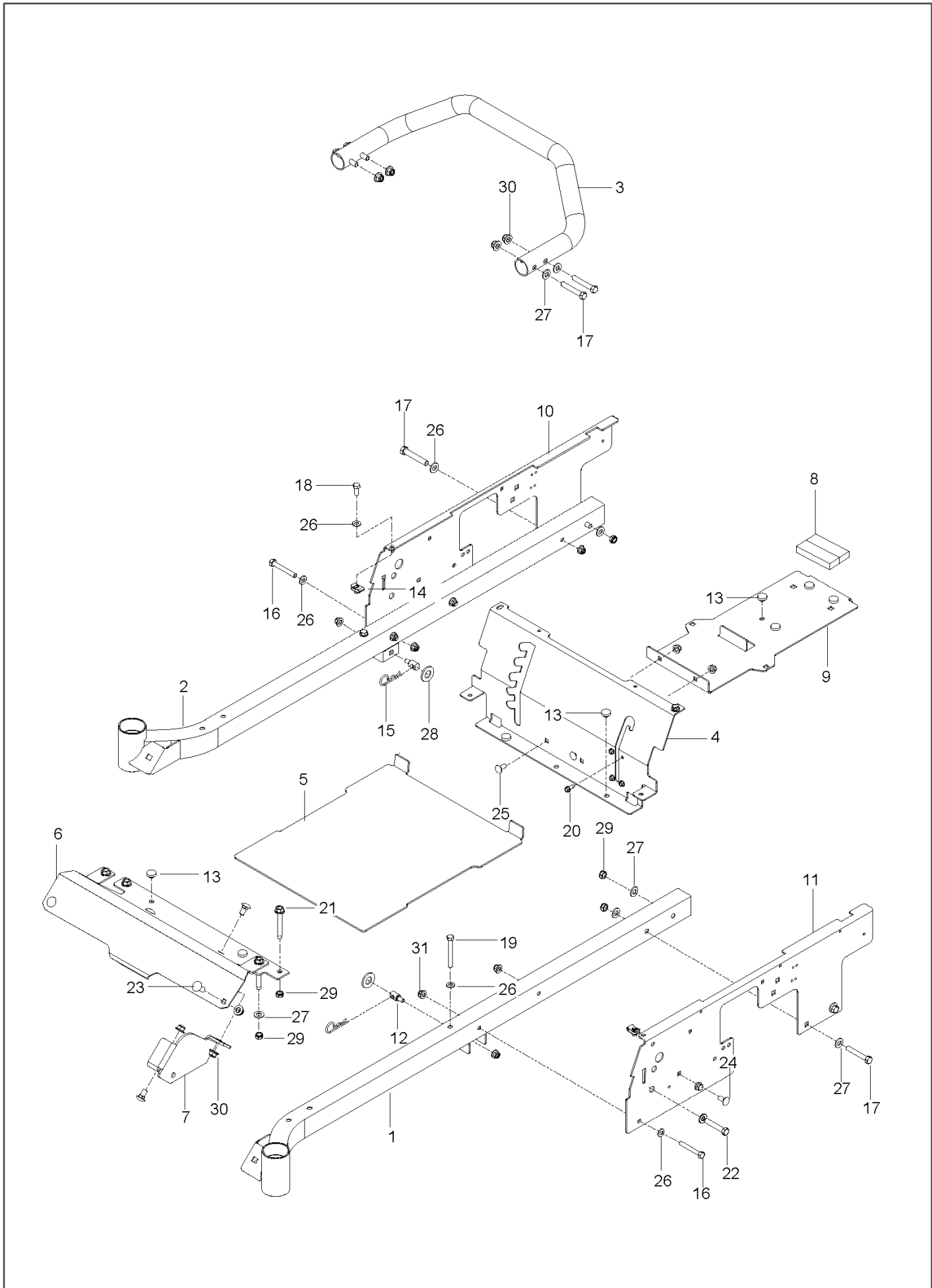
| REF. | PART NO. | DESCRIPTION | REMARK | QTY. | KIT |
|------|-----------|-------------------------|-----------|------|-----|
| 1 | 525594701 | FENDER | RH | 1 | |
| 2 | 525594702 | FENDER | LH | 1 | |
| 3 | 532109553 | SWITCH | | 4 | |
| 4 | 539107541 | IGNITION SWITCH | | 1 | |
| 5 | 532176138 | MICRO SWITCH | | 1 | |
| 6 | 539101714 | SOLENOID | | 1 | |
| 7 | 539107628 | HOLDER | | 1 | |
| 8 | 539107544 | KEY | | 1 | |
| 9 | 525598601 | PANEL | | 1 | |
| 10 | 522730101 | CABLE | | 1 | |
| 11 | 532193235 | CABLE | | 1 | |
| 12 | 575661501 | SERVICE KIT | | 1 | |
| 13 | 539132624 | KNOB | | 1 | |
| 14 | 539133049 | KNOB ROUND BALL | | 1 | |
| 15 | 576646403 | SERVICE KIT | | 1 | |
| 16 | 575018101 | CAP | | 1 | |
| 17 | 539110432 | STEM, FUEL TANK | | 1 | |
| 18 | 539102436 | BATTERY | | 1 | |
| 19 | 539105245 | GROMMET | | 1 | |
| 20 | 576618201 | GROMMET | | 1 | |
| 21 | 539105974 | GROMMET | | 1 | |
| 22 | 539916325 | VALVE | | 1 | |
| 23 | 576618101 | TANK VENT | | 1 | |
| 24 | 539912222 | CLAMP | | 4 | |
| 25 | 575436501 | CLAMP | | 4 | |
| 26 | 539115736 | HOSE | | 1 | |
| 27 | 539121486 | HOSE | | 1 | |
| 28 | 574521305 | HOSE | | 1 | |
| 29 | 539976856 | TIE WRAP | | 2 | |
| 30 | 539104974 | CABLE | | 1 | |
| 31 | 539103306 | CABLE | | 1 | |
| 32 | 539110068 | BATTERY CABLE, NEGATIVE | | 1 | |
| 33 | 539116400 | TERMINAL COVER-SM | | 3 | |
| 34 | 539990580 | SCREW | | 2 | |
| 35 | 539990316 | BOLT | | 2 | |
| 36 | 539990074 | SCREW | | 2 | |
| 37 | 532145211 | BOLT | | 2 | |
| 38 | 539990362 | SCREW | | 9 | |
| 39 | 539976952 | SCREW | | 8 | |
| 40 | 539112899 | NUT, 5/16-18, NYLOC | | 2 | |
| 41 | 539107629 | NUT | | 2 | |
| 42 | 539976977 | NUT | | 8 | |
| 43 | 539976978 | NUT | | 4 | |
| 44 | 539990055 | WASHER | | 4 | |
| | 525744301 | HARNESS | NOT SHOWN | 1 | |



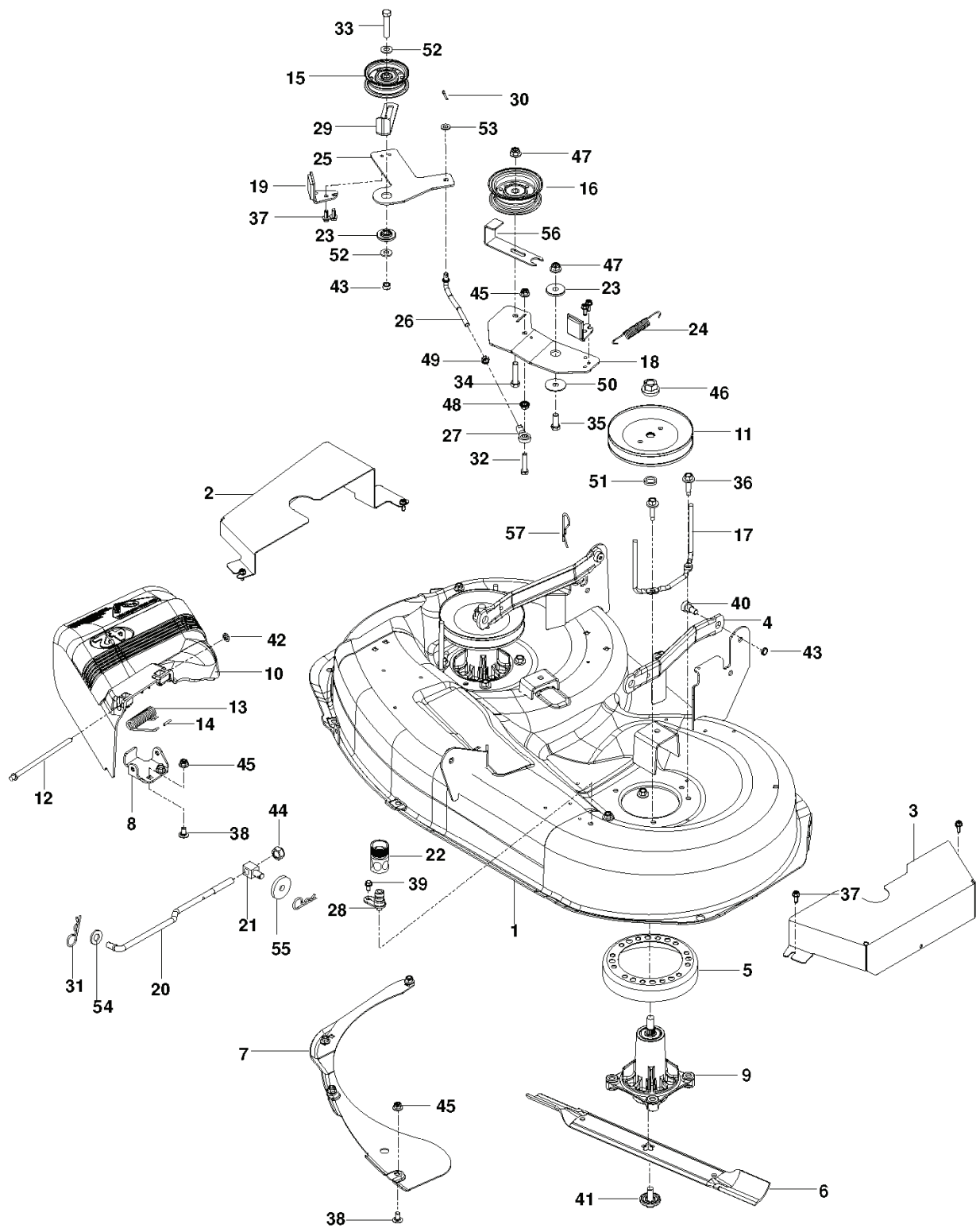
| REF. | PART NO. | DESCRIPTION | REMARK | QTY. | KIT |
|------|-----------|---------------------|--------|------|-----|
| 1 | 532439822 | SEAT | | 1 | |
| 2 | 574356302 | PLATE | | 1 | |
| 3 | 539132140 | SWITCH | | 1 | |
| 4 | 574191002 | STOP | | 1 | |
| 5 | 532197661 | HANDLE | | 1 | |
| 6 | 532198200 | SPRING | | 1 | |
| 7 | 539122632 | SPRING | | 2 | |
| 8 | 525464602 | SUPPORT | | 1 | |
| 9 | 525864502 | HOLDING DEVICE | | 1 | |
| 10 | 539119884 | SPRING | | 2 | |
| 11 | 539110303 | BOLT | | 2 | |
| 12 | 874780512 | SCREW | | 2 | |
| 13 | 539108503 | BOLT | | 1 | |
| 14 | 539990362 | SCREW | | 2 | |
| 15 | 872140606 | BOLT | | 4 | |
| 16 | 539112899 | NUT, 5/16-18, NYLOC | | 4 | |
| 17 | 521996501 | NUT | | 3 | |



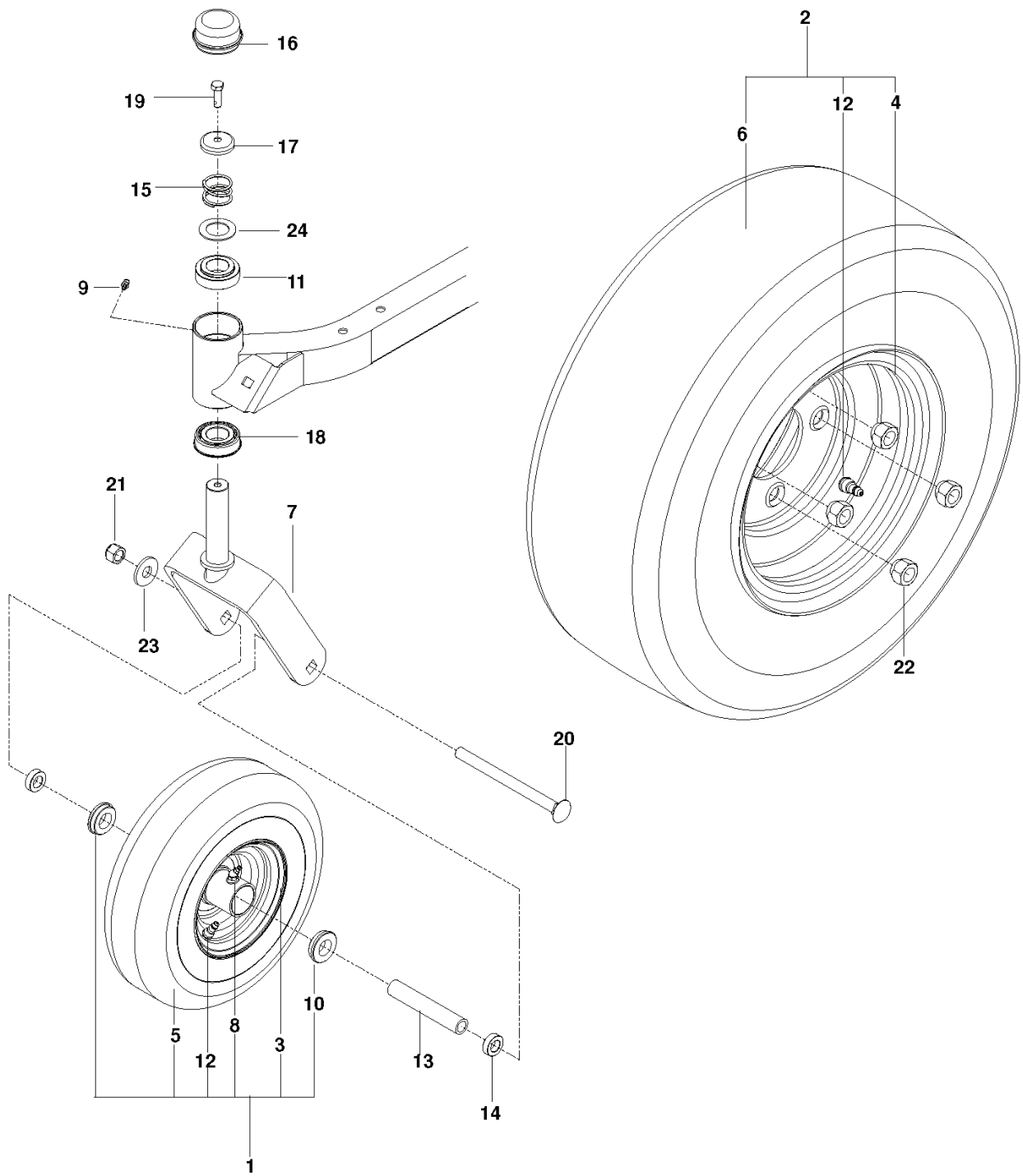
| REF. | PART NO. | DESCRIPTION | REMARK | QTY. | KIT |
|------|-----------|--------------------------------|--------|------|-----|
| 1 | 539120159 | PLATE | RH | 1 | |
| 2 | 539120162 | LEVER PLATED LH | LH | 1 | |
| 3 | 539117949 | FORWARD STOP RH | RH | 1 | |
| 4 | 539117950 | FORWARD STOP LH | LH | 1 | |
| 5 | 539120984 | PIVOT RH (PLATED) | RH | 1 | |
| 6 | 539120983 | PIVOT LH (PLATED) | LH | 1 | |
| 7 | 539120899 | GRIP | | 2 | |
| 8 | 539120160 | LEVER UPPER | | 2 | |
| 9 | 539114453 | DAMPER | | 2 | |
| 10 | 539120956 | BUSHING | | 2 | |
| 11 | 539119087 | BUSHING | | 2 | |
| 12 | 539115638 | FITTING | | 2 | |
| 13 | 539976935 | CAPSCREW | | 4 | |
| 14 | 539101332 | SCREW | | 2 | |
| 15 | 539990209 | SCREW | | 2 | |
| 16 | 539976937 | CAPSCREW | | 2 | |
| 17 | 539991003 | BOLT | | 2 | |
| 18 | 539990316 | BOLT | | 2 | |
| 19 | 539108396 | HCS 5/16-18X2-1/2 TPBLT GR5 ZD | | 2 | |
| 20 | 539990250 | WASHER | | 6 | |
| 21 | 539911121 | WASH 5/8 BEVELED DISC SPRING | | 4 | |
| 22 | 539115570 | WASHER-626IDX.056TK | | 2 | |
| 23 | 539990188 | WASHER | | 2 | |
| 24 | 539990196 | NUT | | 2 | |
| 25 | 539990585 | NUT | | 2 | |
| 26 | 539990717 | NUT | | 6 | |
| 27 | 539108010 | NUT | | 2 | |
| 28 | 539110340 | NUT | | 2 | |
| 29 | 539991112 | NUT | | 2 | |
| 30 | 539112899 | NUT, 5/16-18, NYLOC | | 2 | |



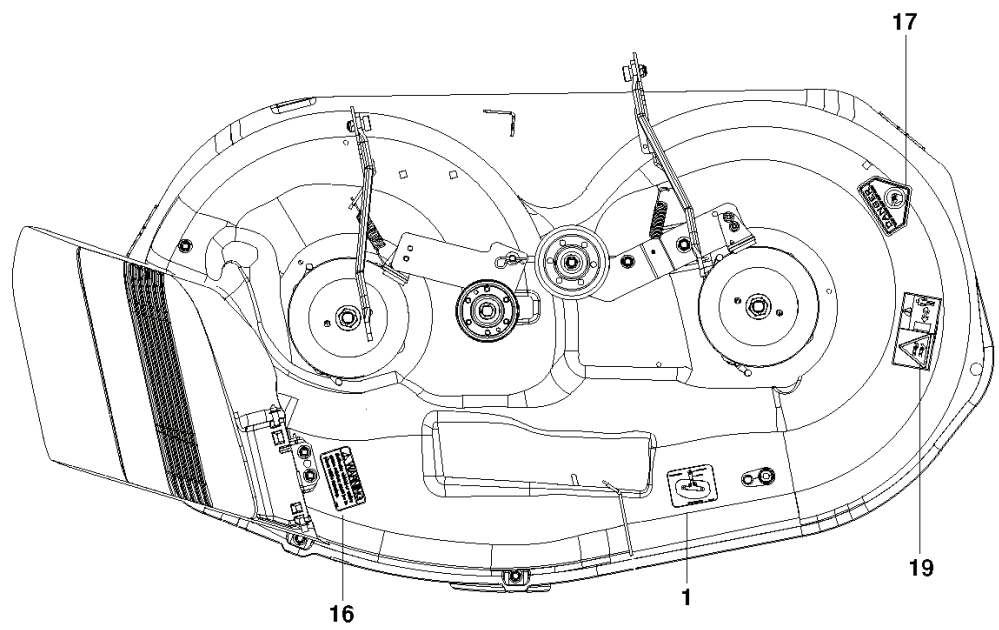
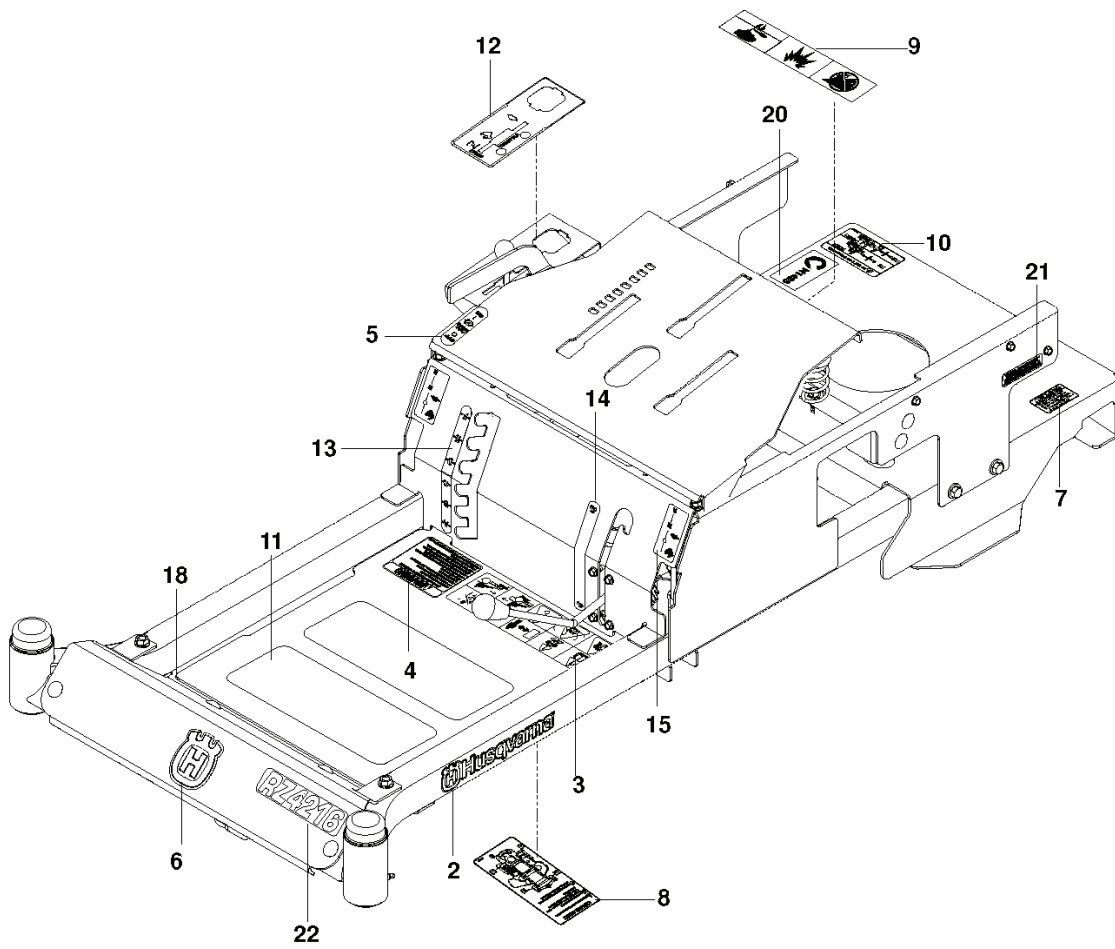
| REF. | PART NO. | DESCRIPTION | REMARK | QTY. | KIT |
|------|-----------|--------------------------------|------------------|------|-----|
| 1 | 525454702 | FRAME | | 1 | |
| 2 | 525454902 | FRAME | | 1 | |
| 3 | 574354702 | IMPACT BAR | | 1 | |
| 4 | 575661302 | PANEL | | 1 | |
| 5 | 576414602 | PAN | W/ Safety Decals | 1 | |
| 6 | 574356002 | FOOT | | 1 | |
| 7 | 525605502 | BRACKET | | 1 | |
| 8 | 539110290 | INSULATOR | | 1 | |
| 9 | 525798402 | SUPPORT | | 1 | |
| 10 | 575328402 | PANEL | | 1 | |
| 11 | 575328302 | PANEL | | 1 | |
| 12 | 532195161 | STUD | | 2 | |
| 13 | 539102587 | ABSORBER | | 9 | |
| 14 | 539104763 | CLIP | | 4 | |
| 15 | 539976989 | SPLIT PIN | | 2 | |
| 16 | 539976938 | CAPSCREW 5/16 X 2-1/4 HED HEAD | | 4 | |
| 17 | 539990629 | SCREW | | 8 | |
| 18 | 539976934 | SCREW | | 4 | |
| 19 | 539101721 | SCREW | | 2 | |
| 20 | 539990362 | SCREW | | 6 | |
| 21 | 539111976 | BOLT | | 4 | |
| 22 | 539101332 | SCREW | | 2 | |
| 23 | 539990645 | BOLT | | 2 | |
| 24 | 539111785 | RHSNB 3/8-16 X 3/4 GR5 ZD | | 2 | |
| 25 | 539990316 | BOLT | | 2 | |
| 26 | 539990188 | WASHER | | 10 | |
| 27 | 539990122 | WASHER | | 17 | |
| 28 | 539976982 | WASHER | | 2 | |
| 29 | 539200282 | NUT | | 8 | |
| 30 | 521996501 | NUT | | 7 | |
| 31 | 539112899 | NUT, 5/16-18, NYLOC | | 12 | |



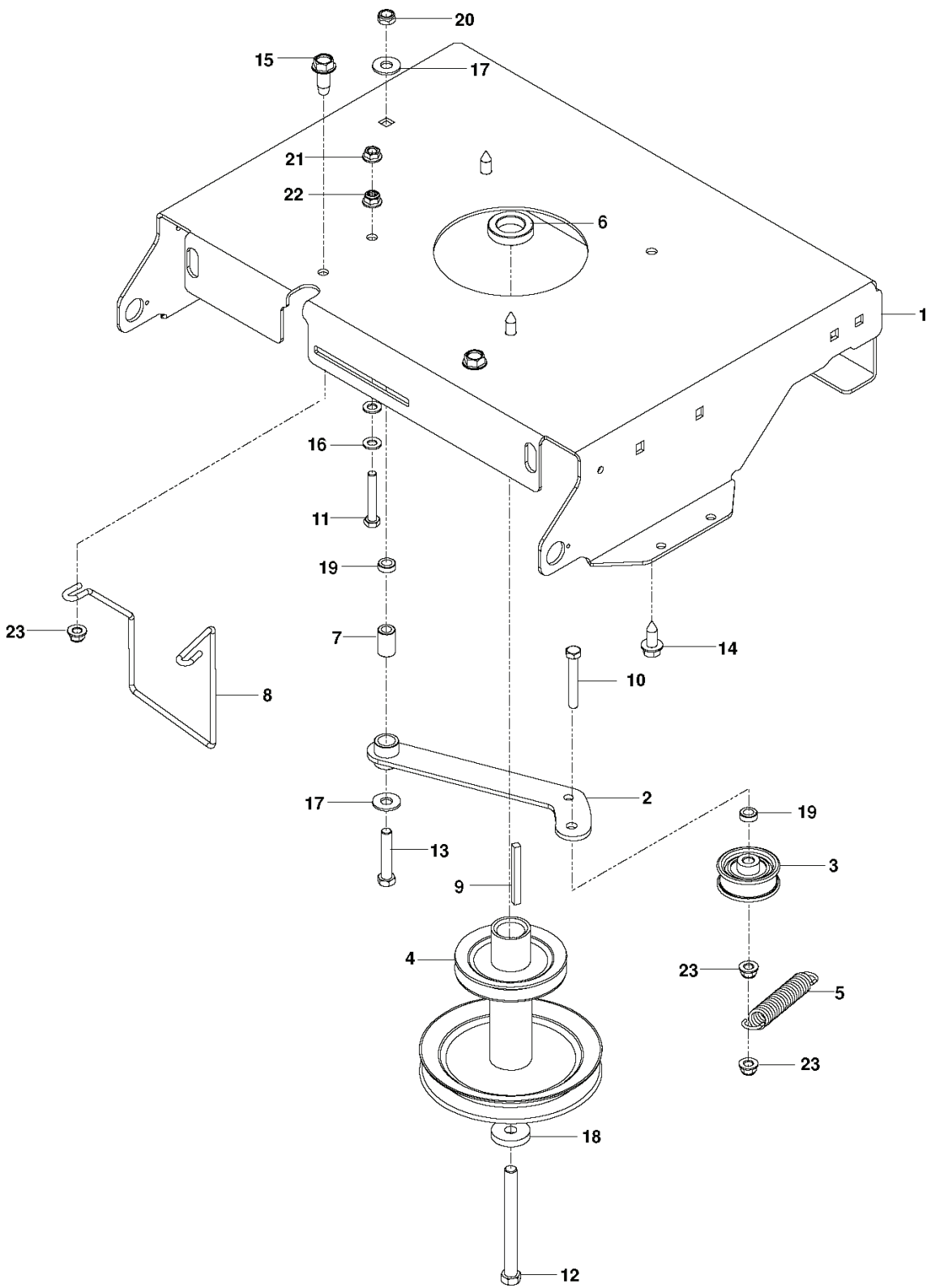
| REF. | PART NO. | DESCRIPTION | REMARK | QTY. | KIT |
|------|-----------|-----------------------------|---|------|-----|
| 1 | 575699801 | DECK | w/ SAFETY DECALS | 1 | |
| 2 | 575754602 | GUARD | RH | 1 | |
| 3 | 575754502 | GUARD | LH | 1 | |
| 4 | 532195185 | ARM | | 2 | |
| 5 | 539107518 | SCRAPER, ROUND, UNIVERS | | 2 | |
| 6 | 777134149 | BLADE, 42" MULCHING STD | | 2 | |
| 7 | 539110463 | BAFFLE VORTEX 42 | | 1 | |
| 8 | 532192557 | HINGE | | 1 | |
| 9 | 532192870 | SPINDLE | | 2 | |
| 10 | 532193108 | DEFLECTOR | | 1 | |
| 11 | 532195945 | PULLEY | | 2 | |
| 12 | 539110462 | ROD, HINGE | | 1 | |
| 13 | 539110328 | SPRING | | 1 | |
| 14 | 539107627 | HUB CAP | | 1 | |
| 15 | 539919078 | PULLEY | | 1 | |
| 16 | 532177968 | PULLEY | | 1 | |
| 17 | 532400140 | KEEPER | | 2 | |
| 18 | 574694502 | ARM | | 1 | |
| 19 | 529311801 | ARM | | 2 | |
| 20 | 532195740 | LINK LIFT SUSP. FRONT MOWER | | 1 | |
| 21 | 539114789 | SWIVEL | | 1 | |
| 22 | 532416405 | COUPLING | | 1 | |
| 23 | 532199092 | SPACER | | 2 | |
| 24 | 532401872 | SPRING | | 1 | |
| 25 | 574693302 | ARM | | 1 | |
| 26 | 574694601 | LINKAGE | | 1 | |
| 27 | 539102590 | BALL JOINT | | 1 | |
| 28 | 532415598 | HOSE COUPLING | | 1 | |
| 29 | 525851801 | GUIDE | | 1 | |
| 30 | 539990365 | PIN RETAINING SCREW | | 1 | |
| 31 | 539976989 | SPLIT PIN | | 2 | |
| 32 | 539976935 | CAPSCREW | | 1 | |
| 33 | 539990588 | SCREW | | 1 | |
| 34 | 539990730 | SCREW | | 1 | |
| 35 | 539990563 | SCREW | | 2 | |
| 36 | 539107630 | SCREW | | 8 | |
| 37 | 539107631 | SCREW | | 8 | |
| 38 | 539990799 | BOLT | | 8 | |
| 39 | 539990134 | BOLT | | 1 | |
| 40 | 539113621 | SB 3/8-16 X 3/8 SKT HD ZD | | 2 | |
| 41 | 532193003 | SCREW | | 2 | |
| 42 | 539107626 | NUT | | 1 | |
| 43 | 539200282 | NUT | | 3 | |
| 44 | 573975201 | NUT | | 1 | |
| 45 | 539112899 | NUT, 5/16-18, NYLOC | | 9 | |
| 46 | 539107590 | NUT | | 2 | |
| 47 | 521996501 | NUT | | 2 | |
| 48 | 539990585 | NUT | | 1 | |
| 49 | 539990196 | NUT | | 1 | |
| 50 | 539102998 | WASHER | | 1 | |
| 51 | 539107520 | WASHER | | 2 | |
| 52 | 539990122 | WASHER | | 2 | |
| 53 | 539990188 | WASHER | | 1 | |
| 54 | 539990250 | WASHER | | 1 | |
| 55 | 539106504 | WASHER | | 1 | |
| 56 | 577209101 | KEEPER | | 1 | |
| 57 | 532165898 | SPRING | | 1 | |
| | 574173003 | BELT | NOT SHOWN -- SEE S/B 201302073 FOR CORRECT BELT | 1 | |



| REF. | PART NO. | DESCRIPTION | REMARK | QTY. | KIT |
|------|-----------|--------------------------|--------|------|-----|
| 1 | 516001901 | WHEEL ASSY, 11X4.0/4.1-5 | | 2 | |
| 2 | 539103300 | NIPPLE | | 2 | |
| 3 | 576617801 | BUSHING | | 4 | |
| 4 | 539912234 | VALVE | | 4 | |
| 5 | 539106994 | RIM SPROCKET | | 2 | |
| 6 | 539114697 | TIRE | | 2 | |
| 7 | 539115638 | FITTING | | 2 | |
| 8 | 539115747 | SPRING | | 2 | |
| 9 | 539117901 | BUSHING | | 2 | |
| 10 | 539115675 | WASHER | | 2 | |
| 11 | 539102535 | CAP | | 2 | |
| 12 | 539115749 | CASTER PLUG | | 2 | |
| 13 | 539112660 | BEARING | | 2 | |
| 14 | 539115566 | SCREW | | 2 | |
| 15 | 539105543 | SPACER | | 2 | |
| 16 | 539121159 | BOLT | | 2 | |
| 17 | 539200100 | NUT | | 2 | |
| 18 | 539109554 | WASH USS FLAT 1/2 | | 2 | |
| 19 | 510186501 | YOKE | | 2 | |
| 20 | 539114805 | SPACER | | 4 | |
| 21 | 574383701 | ASSEMBLY | | 2 | |
| 22 | 539101173 | NUT | | 8 | |
| 23 | 539117555 | TIRE | | 2 | |
| 24 | 574383601 | RIM | | 2 | |



| REF. | PART NO. | DESCRIPTION | REMARK | QTY. | KIT |
|------|-----------|-------------|-----------------|------|-----|
| 1 | 510240201 | DECAL | BELT ROUTING | 1 | |
| 2 | 532429196 | DECAL | HUSQVARNA | 2 | |
| 3 | 539109908 | DECAL | | 1 | |
| 4 | 539113213 | DECAL | | 1 | |
| 5 | 539120006 | DECAL | | 1 | |
| 6 | 532428676 | DECAL | CROWN | 1 | |
| 7 | 539101881 | DECAL | EXHAUST WARNING | 1 | |
| 8 | 539109897 | DECAL | SERVICE | 1 | |
| 9 | 539105745 | DECAL | BATTERY WARNING | 1 | |
| 10 | 539108385 | DECAL | DO NOT TOW | 1 | |
| 11 | 539977778 | MAT | | 2 | |
| 12 | 574754301 | DECAL | CONTROL PANEL | 1 | |
| 13 | 525814201 | DECAL | DECK HEIGHT | 1 | |
| 14 | 525814301 | DECAL | BLADE ENGAGE | 1 | |
| 15 | 539103333 | DECAL | | 2 | |
| 16 | 539113224 | DECAL | DEFLECT WARNING | 1 | |
| 17 | 539913010 | DECAL | BLADE WARNING | 1 | |
| 18 | 539121322 | PAD | | 1 | |
| 19 | 539105746 | DECAL | SEVERING | 1 | |
| 20 | 539110279 | DECAL | | 1 | |
| 21 | 525803303 | DECAL | RZ4216 | 1 | |



| REF. | PART NO. | DESCRIPTION | REMARK | QTY. | KIT |
|------|-----------|-------------------------------|----------------------|------|-----|
| 1 | 578156302 | ENGINE PLATE | | 1 | |
| 2 | 574497504 | ARM | | 1 | |
| 3 | 539120812 | PULLEY | | 1 | |
| 4 | 574382001 | PULLEY | | 1 | |
| 5 | 539116350 | SPRING | | 1 | |
| 6 | 539114387 | SPACER | | 1 | |
| 7 | 539115270 | BUSHING | | 1 | |
| 8 | 581770001 | KEEPER | | 1 | |
| 9 | 539917033 | KEY | | 1 | |
| 10 | 539101350 | BOLT | | 1 | |
| 11 | 539976937 | CAPSCREW | | 1 | |
| 12 | 574882801 | BOLT | | 1 | |
| 13 | 539990588 | SCREW | | 1 | |
| 14 | 532120616 | HHFS 3/8-16 X 1.0 THD FORMING | | 3 | |
| 15 | 539107476 | BOLT | | 1 | |
| 16 | 539990188 | WASHER | | 2 | |
| 17 | 539990517 | WASHER | | 3 | |
| 18 | 539115546 | WASHER | | 1 | |
| 19 | 539109562 | WASHER | | 1 | |
| 20 | 539200282 | NUT | | 1 | |
| 21 | 539990585 | NUT | | 1 | |
| 22 | 539112899 | NUT, 5/16-18, NYLOC | | 1 | |
| 23 | 521996501 | NUT | | 4 | |
| | 576014301 | PIGTAIL | NEED VARIES BY MODEL | 1 | |