

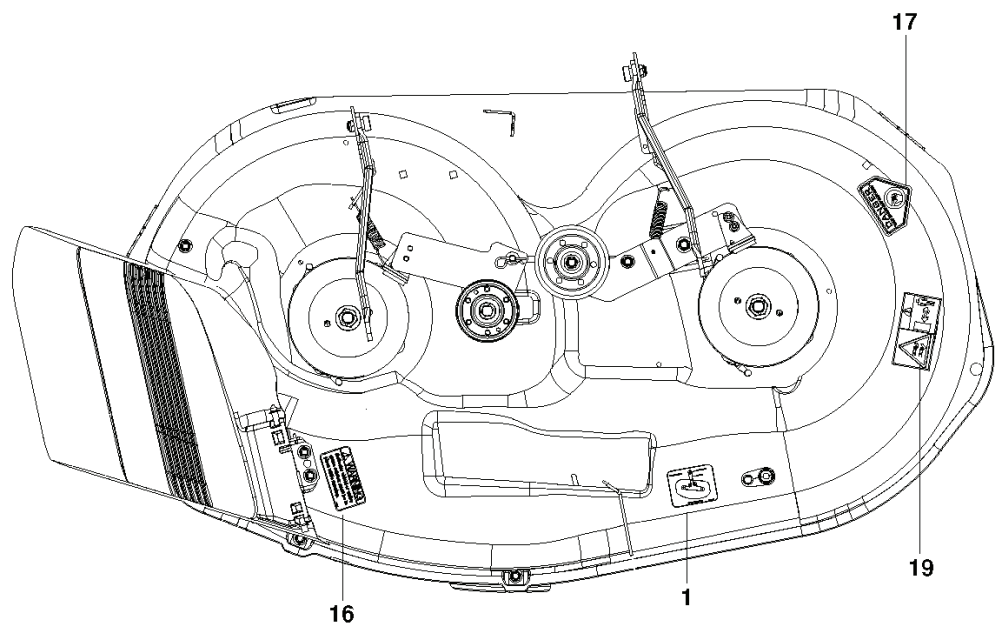
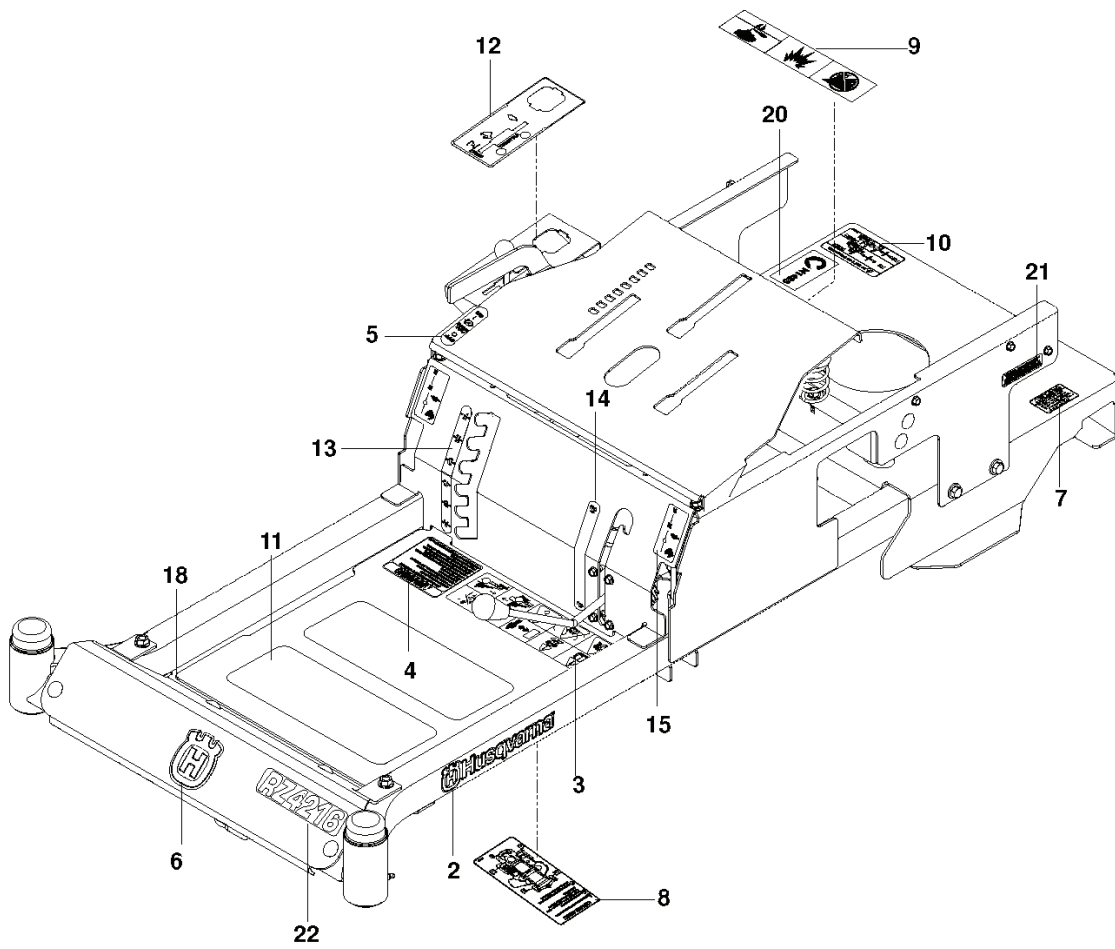
RZ 4219 BF, 966582201-00, 2011-02

---

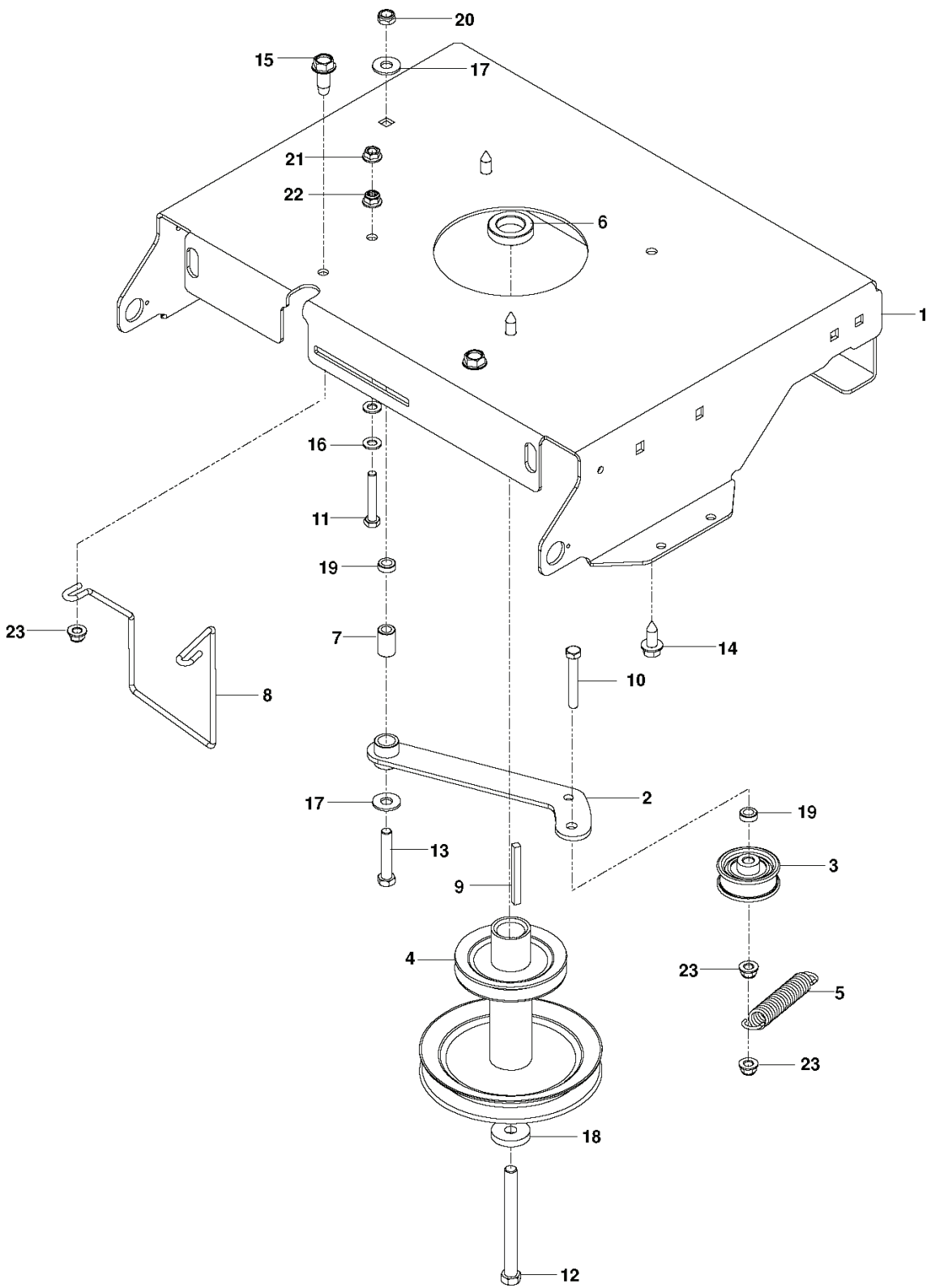
# **SPARE PARTS LIST**



| REF. | PART NO.  | DESCRIPTION                 | REMARK | QTY. | KIT |
|------|-----------|-----------------------------|--------|------|-----|
| 1    | 525580402 | ARM                         |        | 1    |     |
| 2    | 574356802 | SHAFT                       |        | 1    |     |
| 3    | 525583601 | LINKAGE                     | RH     | 1    |     |
| 4    | 525583701 | LINKAGE                     | LH     | 1    |     |
| 5    | 525735701 | LINKAGE                     |        | 1    |     |
| 6    | 539120220 | ARM                         |        | 1    |     |
| 7    | 525485602 | HANDLE                      |        | 1    |     |
| 8    | 525580201 | BELLCRANK                   |        | 2    |     |
| 9    | 574356601 | ROD                         |        | 1    |     |
| 10   | 532196492 | GRIP                        |        | 1    |     |
| 11   | 539120921 | GRIP                        |        | 1    |     |
| 12   | 539112308 | BRAKE SWIVEL                |        | 2    |     |
| 13   | 539118179 | SWIVEL                      |        | 2    |     |
| 14   | 539101224 | SPRING                      |        | 2    |     |
| 15   | 539115247 | L ROD 3-1/8"                |        | 2    |     |
| 16   | 539976988 | PIN                         |        | 4    |     |
| 17   | 539976989 | SPLIT PIN                   |        | 6    |     |
| 18   | 539109368 | BUSHING                     |        | 2    |     |
| 19   | 539101082 | PIN RETAINING SCREW         |        | 2    |     |
| 20   | 539100413 | RHSNB 3/8-16 X 1-1/4 GD5 ZN |        | 1    |     |
| 21   | 539976979 | NUT                         |        | 3    |     |
| 22   | 539990717 | NUT                         |        | 2    |     |
| 23   | 539200282 | NUT                         |        | 1    |     |
| 24   | 539102843 | WASHER                      |        | 1    |     |
| 25   | 539990517 | WASHER                      |        | 7    |     |
| 26   | 539990188 | WASHER                      |        | 6    |     |
| 27   | 539133007 | WASHER                      |        | 1    |     |

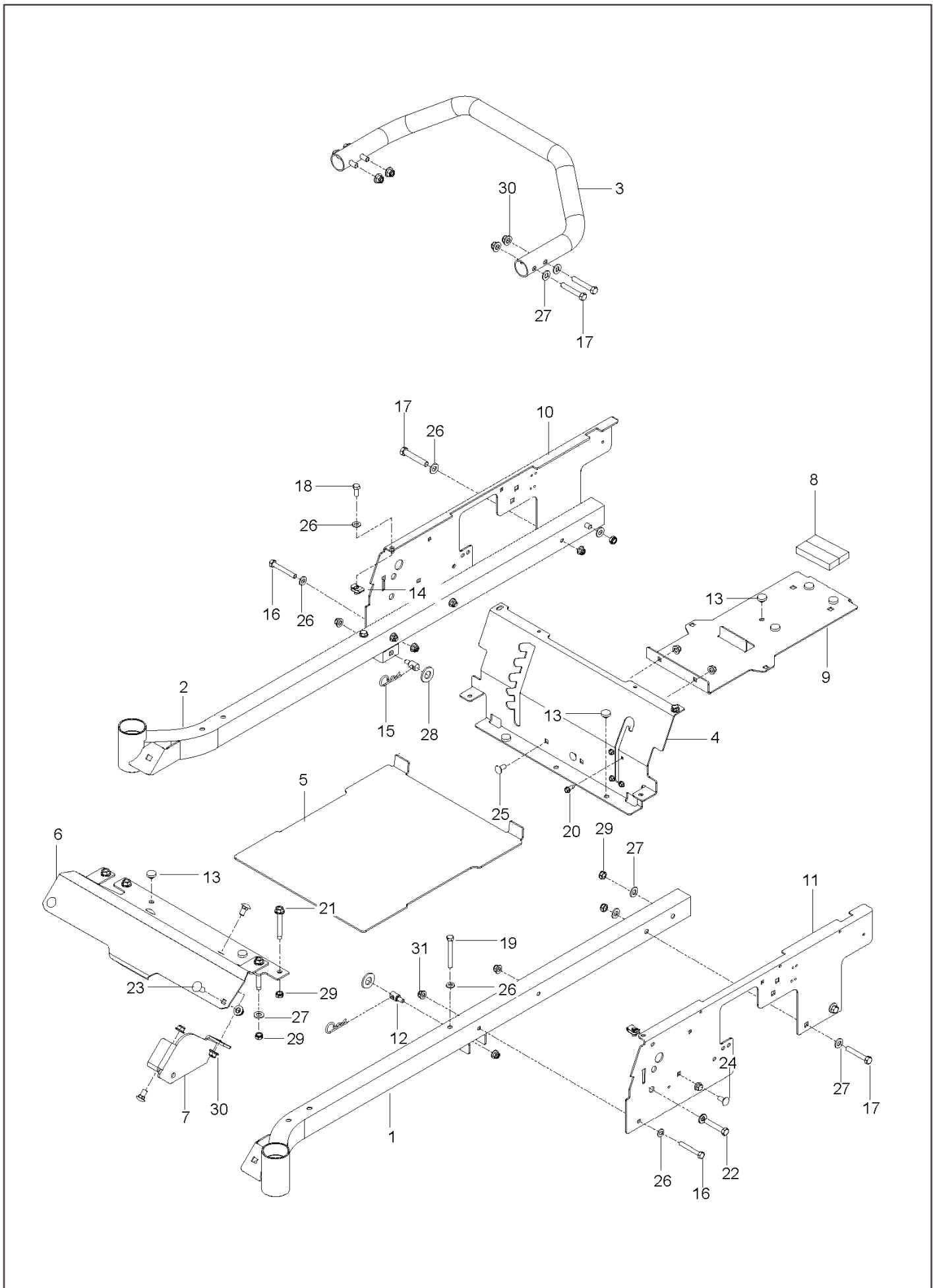


| REF. | PART NO.  | DESCRIPTION | REMARK          | QTY. | KIT |
|------|-----------|-------------|-----------------|------|-----|
| 1    | 510240201 | DECAL       | BELT ROUTING    | 1    |     |
| 2    | 532429196 | DECAL       | HUSQVARNA       | 2    |     |
| 3    | 539109908 | DECAL       |                 | 1    |     |
| 4    | 539113213 | DECAL       |                 | 1    |     |
| 5    | 539120006 | DECAL       |                 | 1    |     |
| 6    | 532428676 | DECAL       | CROWN           | 1    |     |
| 7    | 539101881 | DECAL       | EXHAUST WARNING | 1    |     |
| 8    | 539109897 | DECAL       | SERVICE         | 1    |     |
| 9    | 539105745 | DECAL       | BATTERY WARNING | 1    |     |
| 10   | 539108385 | DECAL       | DO NOT TOW      | 1    |     |
| 11   | 539977778 | MAT         |                 | 2    |     |
| 12   | 574754301 | DECAL       | CONTROL PANEL   | 1    |     |
| 13   | 525814201 | DECAL       | DECK HEIGHT     | 1    |     |
| 14   | 525814301 | DECAL       | BLADE ENGAGE    | 1    |     |
| 15   | 539103333 | DECAL       |                 | 2    |     |
| 16   | 539113224 | DECAL       | DEFLECT WARNING | 1    |     |
| 17   | 539913010 | DECAL       | BLADE WARNING   | 1    |     |
| 18   | 539121322 | PAD         |                 | 1    |     |
| 19   | 539105746 | DECAL       | SEVERING        | 1    |     |
| 22   | 525803303 | DECAL       | RZ4216          | 1    |     |
| 20   | 539110279 | DECAL       |                 | 1    |     |

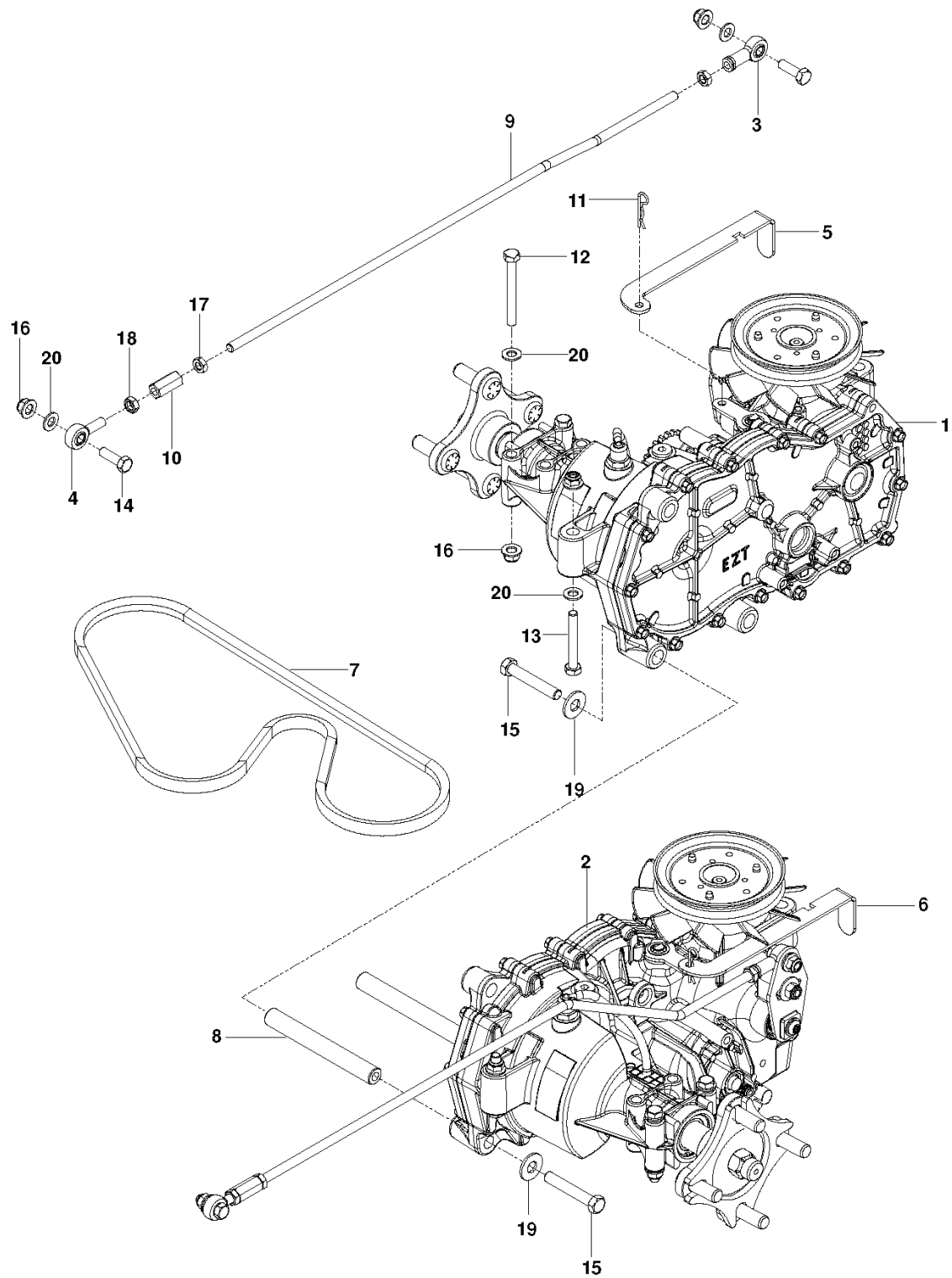


| REF. | PART NO.  | DESCRIPTION                   | REMARK               | QTY. | KIT |
|------|-----------|-------------------------------|----------------------|------|-----|
| 1    | 578156302 | ENGINE PLATE                  |                      | 1    |     |
| 2    | 574497504 | ARM                           |                      | 1    |     |
| 3    | 539120812 | PULLEY                        |                      | 1    |     |
| 4    | 574382001 | PULLEY                        |                      | 1    |     |
| 5    | 539116350 | SPRING                        |                      | 1    |     |
| 6    | 539114387 | SPACER                        |                      | 1    |     |
| 7    | 539115270 | BUSHING                       |                      | 1    |     |
| 8    | 581770001 | KEEPER                        |                      | 1    |     |
| 9    | 539917033 | KEY                           |                      | 1    |     |
| 10   | 539101350 | BOLT                          |                      | 1    |     |
| 11   | 539976937 | CAPSCREW                      |                      | 1    |     |
| 12   | 574882801 | BOLT                          |                      | 1    |     |
| 13   | 539990588 | SCREW                         |                      | 1    |     |
| 14   | 532120616 | HHFS 3/8-16 X 1.0 THD FORMING |                      | 3    |     |
| 15   | 539107476 | BOLT                          |                      | 1    |     |
| 16   | 539990188 | WASHER                        |                      | 2    |     |
| 17   | 539990517 | WASHER                        |                      | 3    |     |
| 18   | 539115546 | WASHER                        |                      | 1    |     |
| 19   | 539109562 | WASHER                        |                      | 1    |     |
| 20   | 539200282 | NUT                           |                      | 1    |     |
| 21   | 539990585 | NUT                           |                      | 1    |     |
| 22   | 539112899 | NUT, 5/16-18, NYLOC           |                      | 1    |     |
| 23   | 521996501 | NUT                           |                      | 4    |     |
|      | 576014301 | PIGTAIL                       | NEED VARIES BY MODEL | 1    |     |

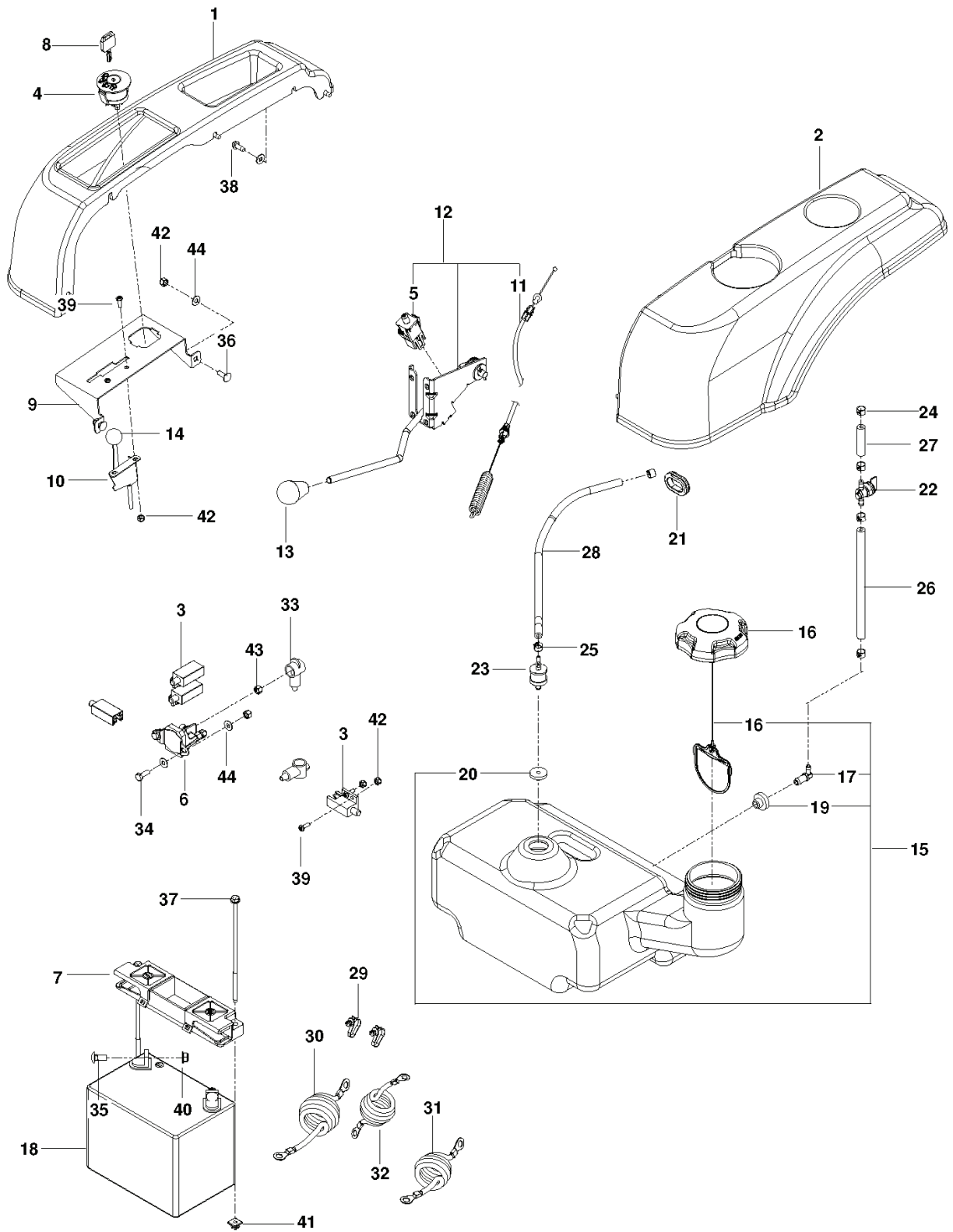




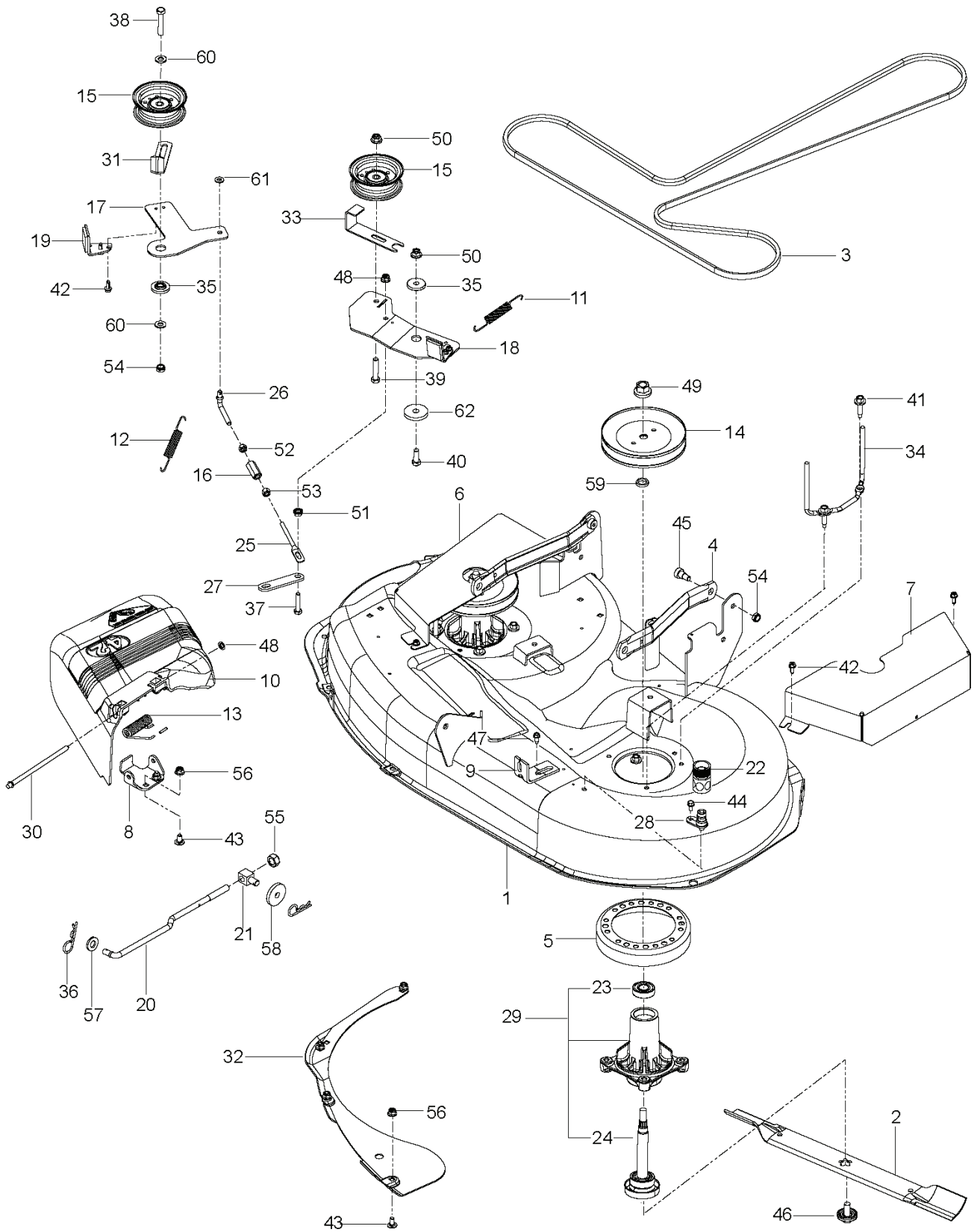
| REF. | PART NO.  | DESCRIPTION                    | REMARK           | QTY. | KIT |
|------|-----------|--------------------------------|------------------|------|-----|
| 1    | 525454702 | FRAME                          |                  | 1    |     |
| 2    | 525454902 | FRAME                          |                  | 1    |     |
| 3    | 574354702 | IMPACT BAR                     |                  | 1    |     |
| 4    | 575661302 | PANEL                          |                  | 1    |     |
| 5    | 576414602 | PAN                            | W/ Safety Decals | 1    |     |
| 6    | 574356002 | FOOT                           |                  | 1    |     |
| 7    | 525605502 | BRACKET                        |                  | 1    |     |
| 8    | 539110290 | INSULATOR                      |                  | 1    |     |
| 9    | 525798402 | SUPPORT                        |                  | 1    |     |
| 10   | 575328402 | PANEL                          |                  | 1    |     |
| 11   | 575328302 | PANEL                          |                  | 1    |     |
| 12   | 532195161 | STUD                           |                  | 2    |     |
| 13   | 539102587 | ABSORBER                       |                  | 9    |     |
| 14   | 539104763 | CLIP                           |                  | 4    |     |
| 15   | 539976989 | SPLIT PIN                      |                  | 2    |     |
| 16   | 539976938 | CAPSCREW 5/16 X 2-1/4 HED HEAD |                  | 4    |     |
| 17   | 539990629 | SCREW                          |                  | 8    |     |
| 18   | 539976934 | SCREW                          |                  | 4    |     |
| 19   | 539101721 | SCREW                          |                  | 2    |     |
| 20   | 539990362 | SCREW                          |                  | 6    |     |
| 21   | 539111976 | BOLT                           |                  | 4    |     |
| 22   | 539101332 | SCREW                          |                  | 2    |     |
| 23   | 539990645 | BOLT                           |                  | 2    |     |
| 24   | 539111785 | RHSNB 3/8-16 X 3/4 GR5 ZD      |                  | 2    |     |
| 25   | 539990316 | BOLT                           |                  | 2    |     |
| 26   | 539990188 | WASHER                         |                  | 10   |     |
| 27   | 539990122 | WASHER                         |                  | 17   |     |
| 28   | 539976982 | WASHER                         |                  | 2    |     |
| 29   | 539200282 | NUT                            |                  | 8    |     |
| 30   | 521996501 | NUT                            |                  | 7    |     |
| 31   | 539112899 | NUT, 5/16-18, NYLOC            |                  | 12   |     |



| REF. | PART NO.  | DESCRIPTION                    | REMARK | QTY. | KIT |
|------|-----------|--------------------------------|--------|------|-----|
| 1    | 539120152 | HYDRO                          | RH     | 1    |     |
| 2    | 539120153 | HYDRO                          | LH     | 1    |     |
| 3    | 539115729 | RH ROD END                     | RH     | 2    |     |
| 4    | 539116690 | ROD END - LH                   | LH     | 2    |     |
| 5    | 539120157 | RELEASE LEVER RH               | RH     | 1    |     |
| 6    | 539120156 | RELEASE LEVER LH               | LH     | 1    |     |
| 7    | 575852401 | BELT                           |        | 1    |     |
| 8    | 574356501 | SPACING TUBE                   |        | 2    |     |
| 9    | 539120169 | CONTROL ROD                    |        | 2    |     |
| 10   | 539116689 | ROD END COUPLER                |        | 2    |     |
| 11   | 539976988 | PIN                            |        | 2    |     |
| 12   | 539101721 | SCREW                          |        | 4    |     |
| 13   | 539976938 | CAPSCREW 5/16 X 2-1/4 HED HEAD |        | 2    |     |
| 14   | 539990209 | SCREW                          |        | 4    |     |
| 15   | 539990629 | SCREW                          |        | 4    |     |
| 16   | 539112899 | NUT, 5/16-18, NYLOC            |        | 10   |     |
| 17   | 539115502 | NUT                            |        | 4    |     |
| 18   | 539991073 | NUT                            |        | 2    |     |
| 19   | 539990517 | WASHER                         |        | 4    |     |
| 20   | 539990188 | WASHER                         |        | 10   |     |

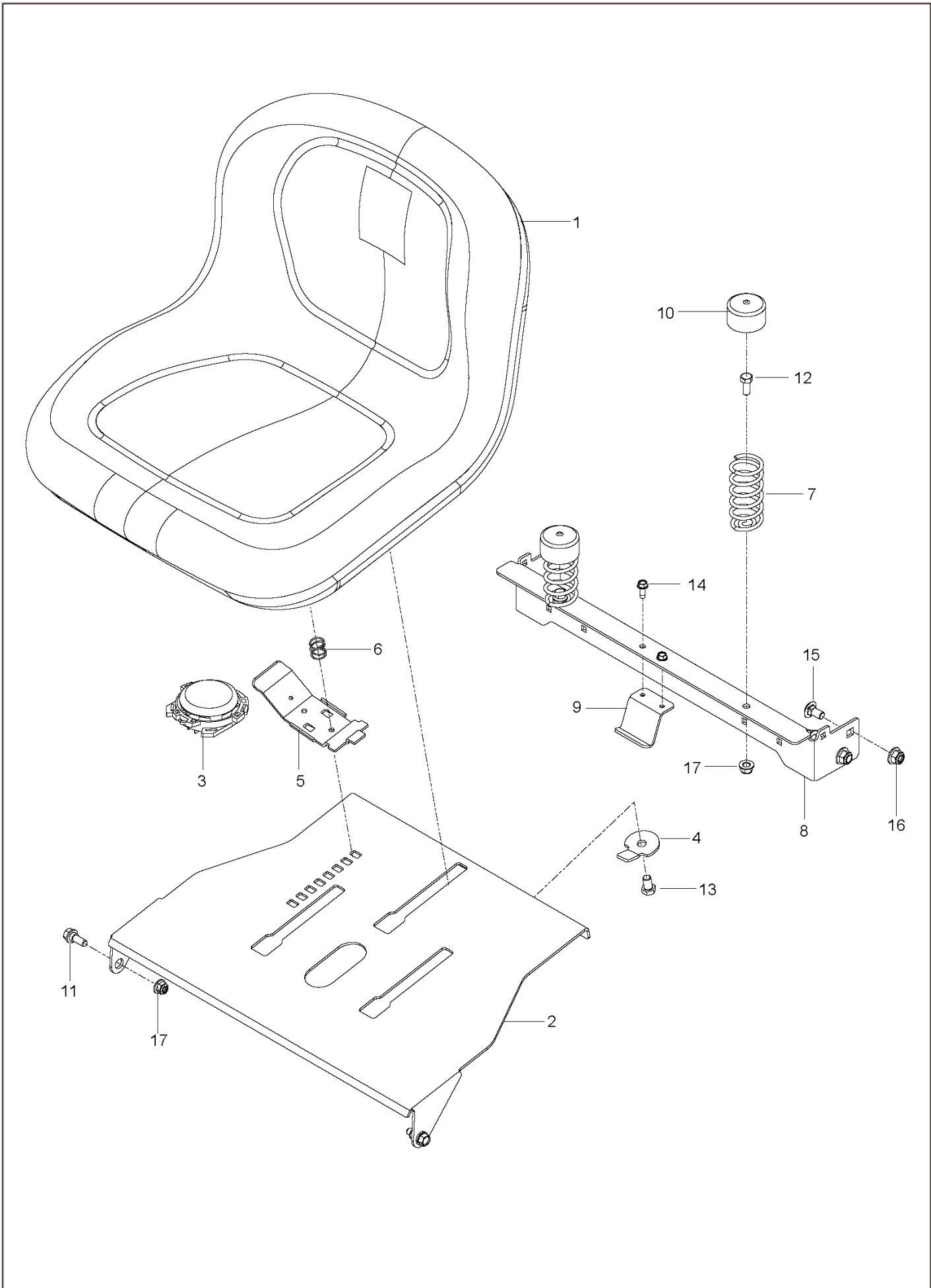


| REF. | PART NO.  | DESCRIPTION             | REMARK    | QTY. | KIT |
|------|-----------|-------------------------|-----------|------|-----|
| 1    | 525594701 | FENDER                  | RH        | 1    |     |
| 2    | 525594702 | FENDER                  | LH        | 1    |     |
| 3    | 532109553 | SWITCH                  |           | 4    |     |
| 4    | 539107541 | IGNITION SWITCH         |           | 1    |     |
| 5    | 532176138 | MICRO SWITCH            |           | 1    |     |
| 6    | 539101714 | SOLENOID                |           | 1    |     |
| 7    | 539107628 | HOLDER                  |           | 1    |     |
| 8    | 539107544 | KEY                     |           | 1    |     |
| 9    | 525598601 | PANEL                   |           | 1    |     |
| 10   | 522730101 | CABLE                   |           | 1    |     |
| 11   | 532193235 | CABLE                   |           | 1    |     |
| 12   | 575661501 | SERVICE KIT             |           | 1    |     |
| 13   | 539132624 | KNOB                    |           | 1    |     |
| 14   | 539133049 | KNOB ROUND BALL         |           | 1    |     |
| 15   | 576646403 | SERVICE KIT             |           | 1    |     |
| 16   | 575018101 | CAP                     |           | 1    |     |
| 17   | 539110432 | STEM, FUEL TANK         |           | 1    |     |
| 18   | 539102436 | BATTERY                 |           | 1    |     |
| 19   | 539105245 | GROMMET                 |           | 1    |     |
| 20   | 576618201 | GROMMET                 |           | 1    |     |
| 21   | 539105974 | GROMMET                 |           | 1    |     |
| 22   | 539916325 | VALVE                   |           | 1    |     |
| 23   | 576618101 | TANK VENT               |           | 1    |     |
| 24   | 539912222 | CLAMP                   |           | 4    |     |
| 25   | 575436501 | CLAMP                   |           | 4    |     |
| 26   | 539115736 | HOSE                    |           | 1    |     |
| 27   | 539121486 | HOSE                    |           | 1    |     |
| 28   | 574521305 | HOSE                    |           | 1    |     |
| 29   | 539976856 | TIE WRAP                |           | 2    |     |
| 30   | 539104974 | CABLE                   |           | 1    |     |
| 31   | 539103306 | CABLE                   |           | 1    |     |
| 32   | 539110068 | BATTERY CABLE, NEGATIVE |           | 1    |     |
| 33   | 539116400 | TERMINAL COVER-SM       |           | 3    |     |
| 34   | 539990580 | SCREW                   |           | 2    |     |
| 35   | 539990316 | BOLT                    |           | 2    |     |
| 36   | 539990074 | SCREW                   |           | 2    |     |
| 37   | 532145211 | BOLT                    |           | 2    |     |
| 38   | 539990362 | SCREW                   |           | 9    |     |
| 39   | 539976952 | SCREW                   |           | 8    |     |
| 40   | 539112899 | NUT, 5/16-18, NYLOC     |           | 2    |     |
| 41   | 539107629 | NUT                     |           | 2    |     |
| 42   | 539976977 | NUT                     |           | 8    |     |
| 43   | 539976978 | NUT                     |           | 4    |     |
| 44   | 539990055 | WASHER                  |           | 4    |     |
|      | 525744301 | HARNESS                 | NOT SHOWN | 1    |     |



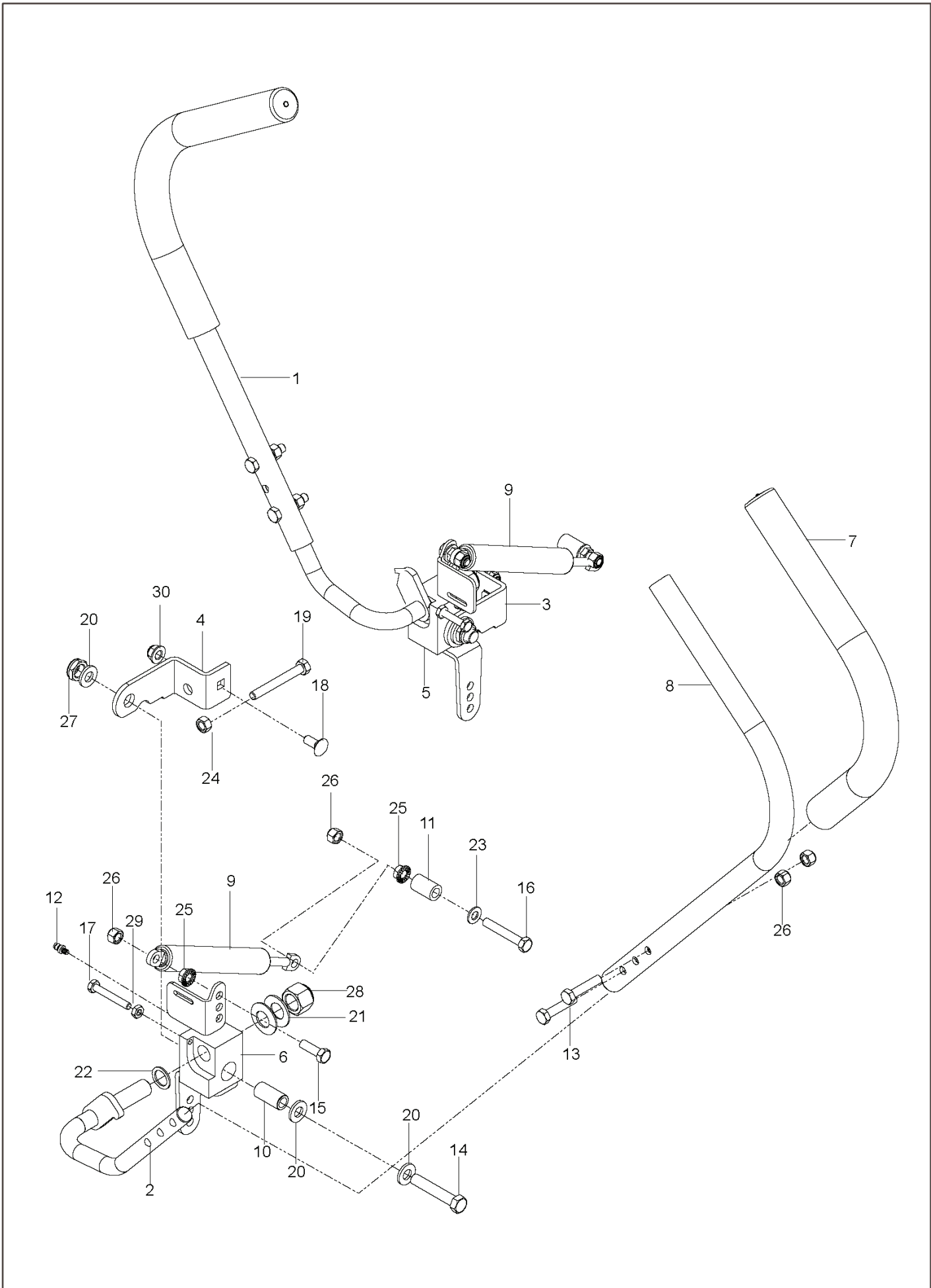
| REF. | PART NO.  | DESCRIPTION                 | REMARK           | QTY. | KIT |
|------|-----------|-----------------------------|------------------|------|-----|
| 1    | 575699801 | DECK                        | w/ SAFETY DECALS | 1    |     |
| 2    | 532134149 | RIDE ON BLADE               |                  | 2    |     |
| 3    | 581805901 | BELT                        |                  | 1    |     |
| 4    | 532195185 | ARM                         |                  | 2    |     |
| 5    | 539107518 | SCRAPER, ROUND, UNIVERS     |                  | 2    |     |
| 6    | 575754602 | GUARD                       | RH               | 1    |     |
| 7    | 575754502 | GUARD                       | LH               | 1    |     |
| 8    | 532192557 | HINGE                       |                  | 1    |     |
| 9    | 532417645 | BRACKET                     |                  | 1    |     |
| 10   | 532193108 | DEFLECTOR                   |                  | 1    |     |
| 11   | 532401872 | SPRING                      |                  | 1    |     |
| 12   | 581542601 | SPRING                      |                  | 1    |     |
| 13   | 539110328 | SPRING                      |                  | 1    |     |
| 14   | 532195945 | PULLEY                      |                  | 2    |     |
| 15   | 539919078 | PULLEY                      |                  | 2    |     |
| 16   | 539116689 | ROD END COUPLER             |                  | 1    |     |
| 17   | 574693302 | ARM                         |                  | 1    |     |
| 18   | 574694502 | ARM                         |                  | 1    |     |
| 19   | 529311801 | ARM                         |                  | 2    |     |
| 20   | 532195740 | LINK LIFT SUSP. FRONT MOWER |                  | 1    |     |
| 21   | 539114789 | SWIVEL                      |                  | 1    |     |
| 22   | 532416405 | COUPLING                    |                  | 1    |     |
| 23   | 532110485 | BEARING                     |                  | 2    |     |
| 24   | 532192872 | SHAFT ASSY                  |                  | 2    |     |
| 25   | 581866301 | LINK                        |                  | 1    |     |
| 26   | 581866201 | LINK                        |                  | 1    |     |
| 27   | 581542701 | ATTACHMENT PLATE            |                  | 1    |     |
| 28   | 532415598 | HOSE COUPLING               |                  | 1    |     |
| 29   | 532192870 | SPINDLE                     |                  | 2    |     |
| 30   | 539110462 | ROD, HINGE                  |                  | 1    |     |
| 31   | 525851801 | GUIDE                       |                  | 1    |     |
| 32   | 539110463 | BAFFLE VORTEX 42            |                  | 1    |     |
| 33   | 577209101 | KEEPER                      |                  | 1    |     |
| 34   | 532400140 | KEEPER                      |                  | 1    |     |
| 35   | 532199092 | SPACER                      |                  | 2    |     |
| 36   | 539976989 | SPLIT PIN                   |                  | 2    |     |
| 37   | 539976935 | CAPSCREW                    |                  | 1    |     |
| 38   | 539990588 | SCREW                       |                  | 1    |     |
| 39   | 539990730 | SCREW                       |                  | 1    |     |
| 40   | 539990563 | SCREW                       |                  | 2    |     |
| 41   | 539107630 | SCREW                       |                  | 8    |     |
| 42   | 539107631 | SCREW                       |                  | 8    |     |
| 43   | 539990799 | BOLT                        |                  | 8    |     |
| 44   | 539990134 | BOLT                        |                  | 1    |     |
| 45   | 539113621 | SB 3/8-16 X 3/8 SKT HD ZD   |                  | 2    |     |
| 46   | 532193003 | SCREW                       |                  | 2    |     |
| 47   | 817000510 | BOLT                        |                  | 1    |     |
| 48   | 532110452 | NUT                         |                  | 1    |     |
| 49   | 539107590 | NUT                         |                  | 2    |     |
| 50   | 521996501 | NUT                         |                  | 2    |     |
| 51   | 539990585 | NUT                         |                  | 1    |     |
| 52   | 539991073 | NUT                         |                  | 1    |     |
| 53   | 539990223 | NUT                         |                  | 1    |     |
| 54   | 539200282 | NUT                         |                  | 3    |     |
| 55   | 573975201 | NUT                         |                  | 1    |     |
| 56   | 539112899 | NUT, 5/16-18, NYLOC         |                  | 9    |     |
| 57   | 539990250 | WASHER                      |                  | 1    |     |
| 58   | 539106504 | WASHER                      |                  | 1    |     |
| 59   | 532187690 | WASHER                      |                  | 2    |     |
| 60   | 539990122 | WASHER                      |                  | 2    |     |
| 61   | 539990188 | WASHER                      |                  | 1    |     |
| 62   | 539102998 | WASHER                      |                  | 1    |     |



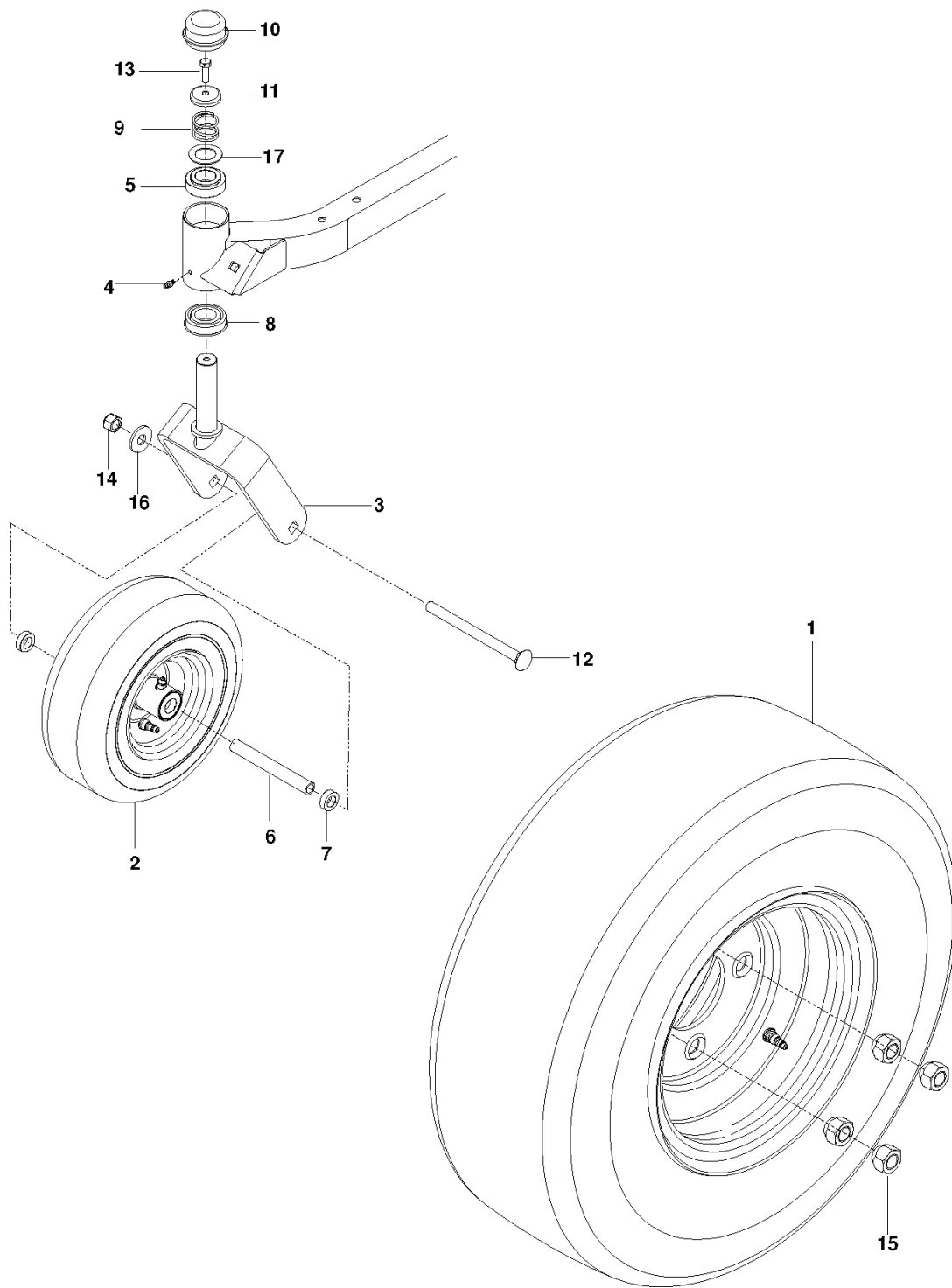


---

| REF. | PART NO.  | DESCRIPTION         | REMARK | QTY. | KIT |
|------|-----------|---------------------|--------|------|-----|
| 1    | 532439822 | SEAT                |        | 1    |     |
| 2    | 574356302 | PLATE               |        | 1    |     |
| 3    | 539132140 | SWITCH              |        | 1    |     |
| 4    | 574191002 | STOP                |        | 1    |     |
| 5    | 532197661 | HANDLE              |        | 1    |     |
| 6    | 532198200 | SPRING              |        | 1    |     |
| 7    | 539122632 | SPRING              |        | 2    |     |
| 8    | 525464602 | SUPPORT             |        | 1    |     |
| 9    | 525864502 | HOLDING DEVICE      |        | 1    |     |
| 10   | 539119884 | SPRING              |        | 2    |     |
| 11   | 539110303 | BOLT                |        | 2    |     |
| 12   | 874780512 | SCREW               |        | 2    |     |
| 13   | 539108503 | BOLT                |        | 1    |     |
| 14   | 539990362 | SCREW               |        | 2    |     |
| 15   | 872140606 | BOLT                |        | 4    |     |
| 16   | 539112899 | NUT, 5/16-18, NYLOC |        | 4    |     |
| 17   | 521996501 | NUT                 |        | 3    |     |



| REF. | PART NO.  | DESCRIPTION                    | REMARK | QTY. | KIT |
|------|-----------|--------------------------------|--------|------|-----|
| 1    | 539120159 | PLATE                          | RH     | 1    |     |
| 2    | 539120162 | LEVER PLATED LH                | LH     | 1    |     |
| 3    | 539117949 | FORWARD STOP RH                | RH     | 1    |     |
| 4    | 539117950 | FORWARD STOP LH                | LH     | 1    |     |
| 5    | 539120984 | PIVOT RH (PLATED)              | RH     | 1    |     |
| 6    | 539120983 | PIVOT LH (PLATED)              | LH     | 1    |     |
| 7    | 539120899 | GRIP                           |        | 2    |     |
| 8    | 539120160 | LEVER UPPER                    |        | 2    |     |
| 9    | 539114453 | DAMPER                         |        | 2    |     |
| 10   | 539120956 | BUSHING                        |        | 2    |     |
| 11   | 539119087 | BUSHING                        |        | 2    |     |
| 12   | 539115638 | FITTING                        |        | 2    |     |
| 13   | 539976935 | CAPSCREW                       |        | 4    |     |
| 14   | 539101332 | SCREW                          |        | 2    |     |
| 15   | 539990209 | SCREW                          |        | 2    |     |
| 16   | 539976937 | CAPSCREW                       |        | 2    |     |
| 17   | 539991003 | BOLT                           |        | 2    |     |
| 18   | 539990316 | BOLT                           |        | 2    |     |
| 19   | 539108396 | HCS 5/16-18X2-1/2 TPBLT GR5 ZD |        | 2    |     |
| 20   | 539990250 | WASHER                         |        | 6    |     |
| 21   | 539911121 | WASH 5/8 BEVELED DISC SPRING   |        | 4    |     |
| 22   | 539115570 | WASHER-626IDX.056TK            |        | 2    |     |
| 23   | 539990188 | WASHER                         |        | 2    |     |
| 24   | 539990196 | NUT                            |        | 2    |     |
| 25   | 539990585 | NUT                            |        | 2    |     |
| 26   | 539990717 | NUT                            |        | 6    |     |
| 27   | 539108010 | NUT                            |        | 2    |     |
| 28   | 539110340 | NUT                            |        | 2    |     |
| 29   | 539991112 | NUT                            |        | 2    |     |
| 30   | 539112899 | NUT, 5/16-18, NYLOC            |        | 2    |     |



---

| REF. | PART NO.  | DESCRIPTION | REMARK | QTY. | KIT |
|------|-----------|-------------|--------|------|-----|
| 1    | 581199001 | WHEEL ASSY  |        | 2    |     |
| 2    | 590486802 | WHEEL       |        | 2    |     |
| 3    | 510186505 | YOKE        |        | 2    |     |
| 4    | 539115638 | FITTING     |        | 2    |     |
| 5    | 539117901 | BUSHING     |        | 2    |     |
| 6    | 539105543 | SPACER      |        | 2    |     |
| 7    | 539114805 | SPACER      |        | 4    |     |
| 8    | 539112660 | BEARING     |        | 2    |     |
| 9    | 539115747 | SPRING      |        | 2    |     |
| 10   | 539102535 | CAP         |        | 2    |     |
| 11   | 539115749 | CASTER PLUG |        | 2    |     |
| 12   | 539121159 | BOLT        |        | 2    |     |
| 13   | 539115566 | SCREW       |        | 2    |     |
| 14   | 539200100 | NUT         |        | 2    |     |
| 15   | 539101173 | NUT         |        | 8    |     |
| 16   | 819182212 | WASHER      |        | 2    |     |
| 17   | 539115675 | WASHER      |        | 2    |     |