

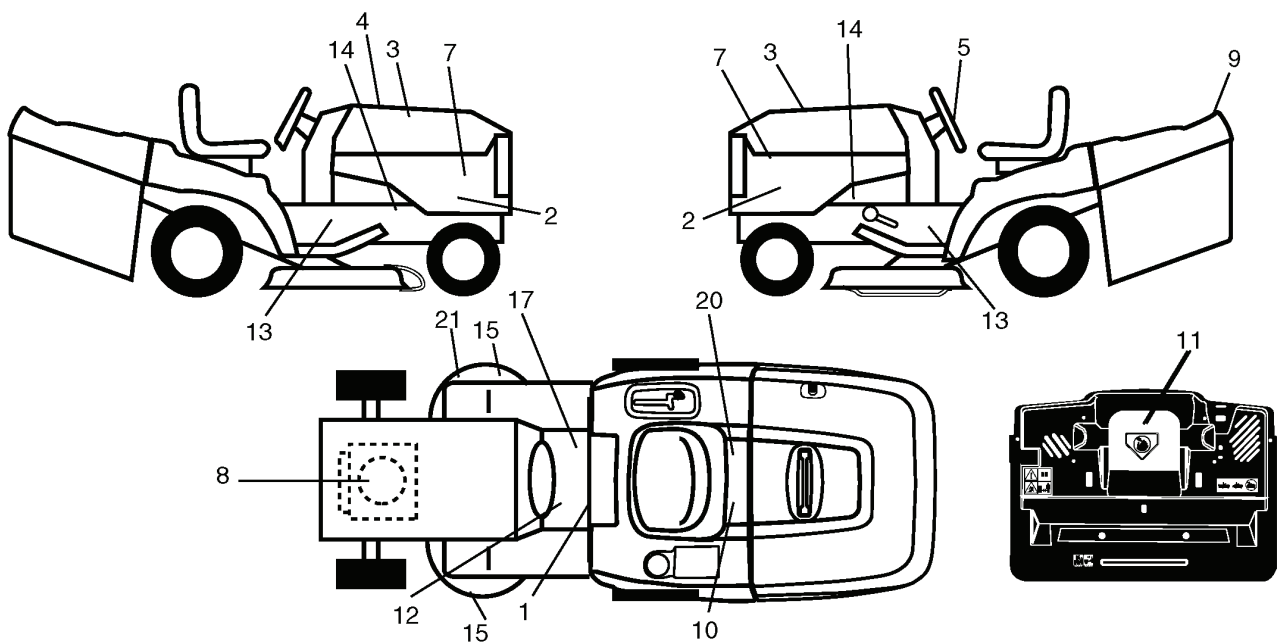
CTH140XP, 96061007101, 960610071, 2006-

---

# **SPARE PARTS LIST**

## REPAIR PARTS

TRACTOR- -MODEL NO. CTH140XP(96061007101), PRODUCT NO. 960 61 00-71  
DECALS

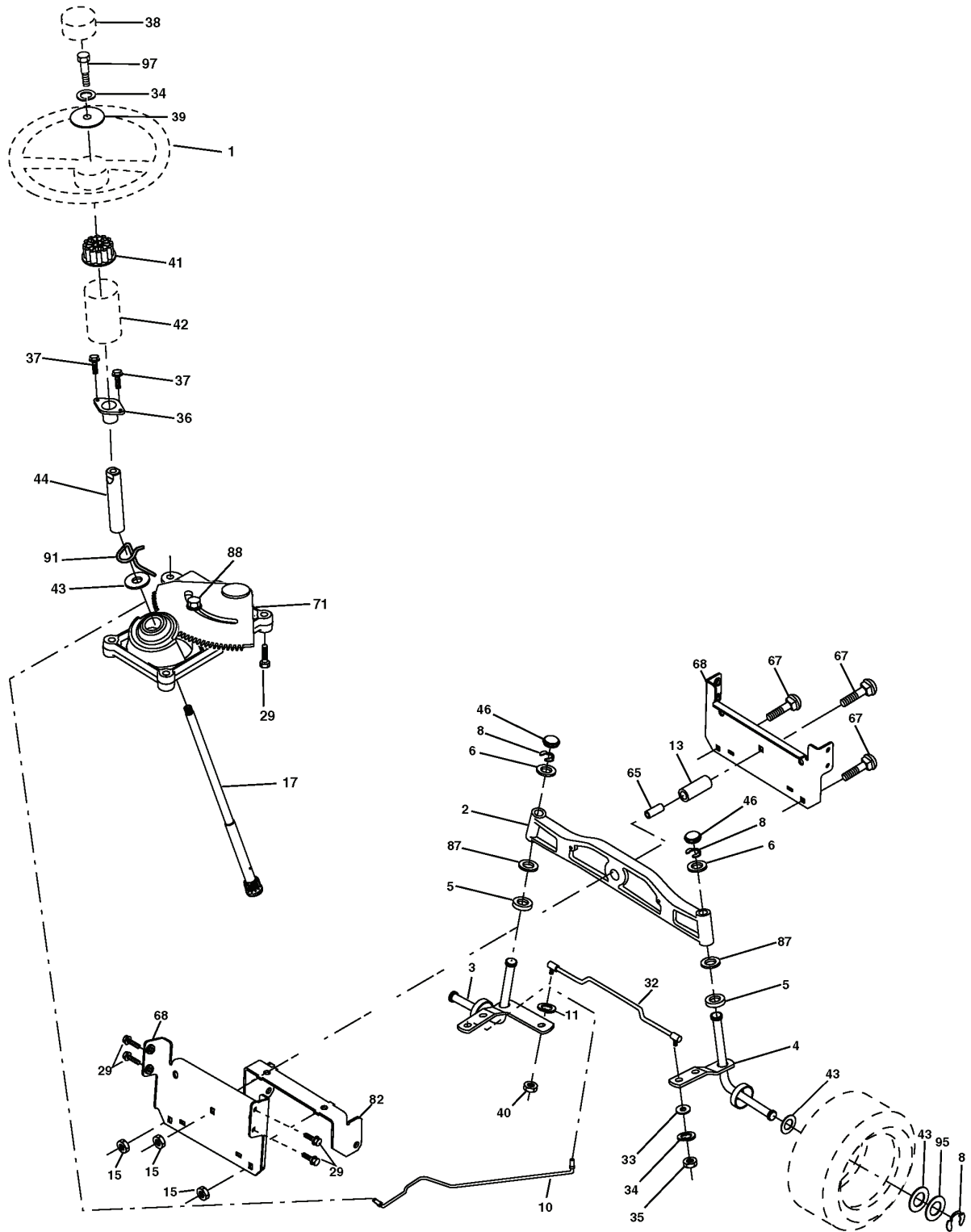


---

| REF. | PART NO.  | DESCRIPTION      | REMARK | QTY. | KIT |
|------|-----------|------------------|--------|------|-----|
| 1    | 532400389 | LABEL            |        | 1    |     |
| 2    | 532400791 | DECAL            |        | 1    |     |
| 3    | 532188923 | DECAL            |        | 1    |     |
| 4    | 532401213 | DECAL            |        | 1    |     |
| 5    | 532188925 | DECAL            |        | 1    |     |
| 7    | 532188921 | DECAL            |        | 1    |     |
| 8    | 532169841 | DECAL            |        | 1    |     |
| 9    | 532400792 | DECAL            |        | 1    |     |
| 10   | 532145005 | DECAL            |        | 1    |     |
| 11   | 532182166 | DECAL            |        | 1    |     |
| 12   | 532159737 | DECAL            |        | 1    |     |
| 13   | 532401146 | DECAL            |        | 1    |     |
| 14   | 532159736 | DECAL            |        | 1    |     |
| 15   | 532196842 | DECAL            |        | 1    |     |
| 17   | 532140837 | DECAL            |        | 1    |     |
| 20   | 532166960 | DECAL            |        | 1    |     |
| 21   | 532166286 | DECAL            |        | 1    |     |
| --   | 532180432 | DECAL            |        | 1    |     |
| --   | 532138311 | DECAL            |        | 1    |     |
| --   | 532181090 | PLATE            |        | 1    |     |
| --   | 532181091 | PLATE            |        | 1    |     |
| --   | 532400576 | OPERATORS MANUAL |        | 1    |     |

# REPAIR PARTS

TRACTOR- -MODEL NO. CTH140XP(96061007101), PRODUCT NO. 960 61 00-71  
STEERING ASSEMBLY

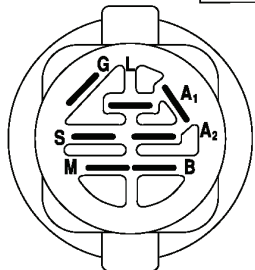
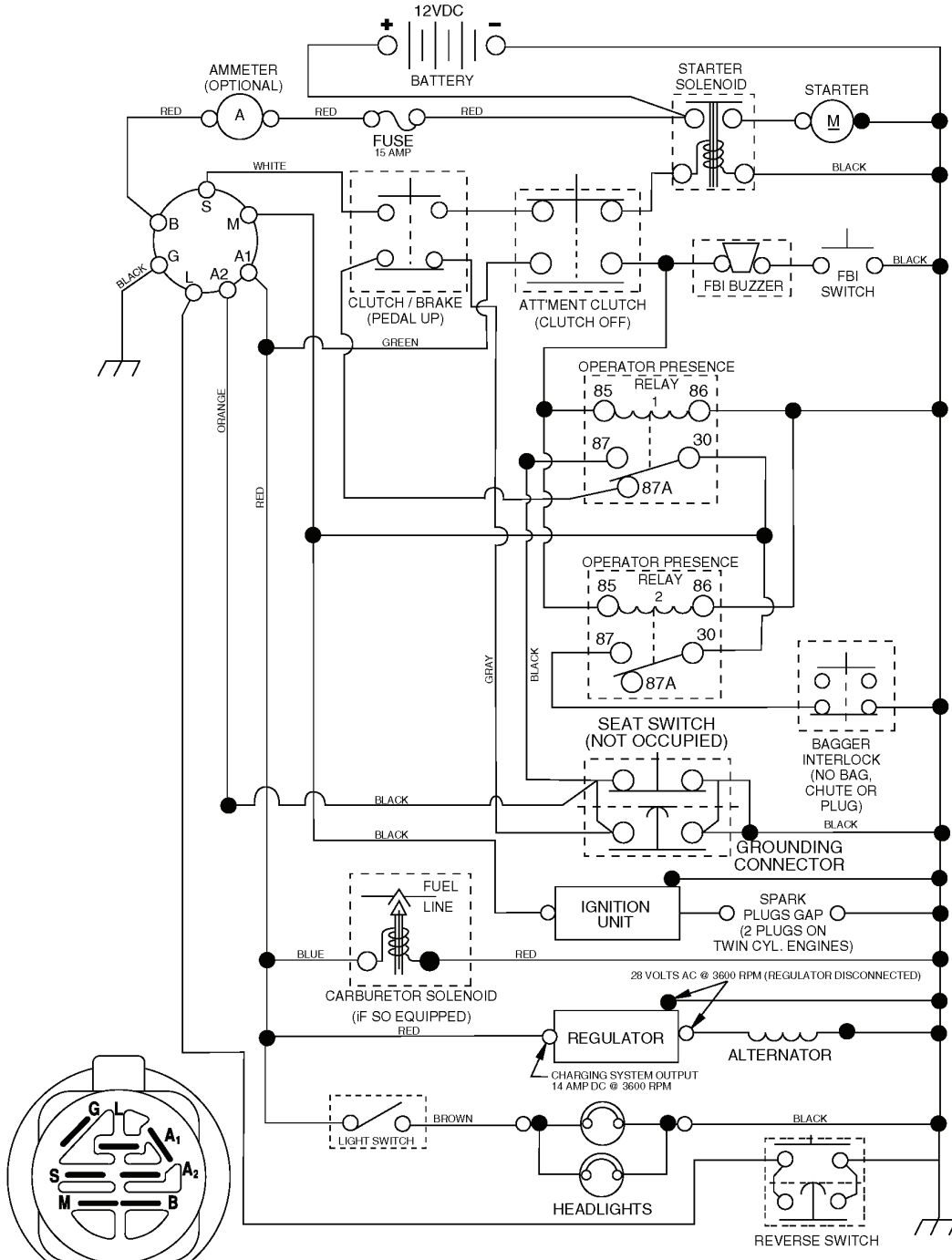


steering\_pl.it\_60

| REF. | PART NO.  | DESCRIPTION          | REMARK | QTY. | KIT |
|------|-----------|----------------------|--------|------|-----|
| 1    | 532193651 | STEERING WHEEL       |        | 1    |     |
| 2    | 532184706 | SHAFT                |        | 1    |     |
| 3    | 532169840 | SPINDLE              |        | 1    |     |
| 4    | 532169839 | SPINDLE              |        | 1    |     |
| 5    | 532124931 | WASHER               |        | 1    |     |
| 6    | 532121748 | WASHER               |        | 1    |     |
| 8    | 812000029 | RETAINER RING        |        | 1    |     |
| 10   | 532175121 | ROD                  |        | 1    |     |
| 11   | 810040600 | WASHER               |        | 1    |     |
| 13   | 532136518 | PIPE                 |        | 1    |     |
| 15   | 532145212 | NUT                  |        | 1    |     |
| 17   | 532190753 | ROD                  |        | 1    |     |
| 29   | 817000612 | SCREW                |        | 1    |     |
| 32   | 532170162 | ROD                  |        | 1    |     |
| 33   | 819111216 | WASHER               |        | 1    |     |
| 34   | 810040500 | WASHER               |        | 1    |     |
| 35   | 873540500 | NUT                  |        | 1    |     |
| 36   | 532155099 | BUSHING              |        | 1    |     |
| 37   | 532152927 | SCREW                |        | 1    |     |
| 38   | 532193652 | HUB                  |        | 1    |     |
| 39   | 819113812 | WASHER               |        | 1    |     |
| 40   | 873540600 | NUT                  |        | 1    |     |
| 41   | 532186737 | ADAPTER              |        | 1    |     |
| 42   | 532169634 | SLEEVE               |        | 1    |     |
| 43   | 532121749 | WASHER               |        | 1    |     |
| 44   | 532190752 | SHAFT                |        | 1    |     |
| 46   | 532121232 | HUB CAP              |        | 1    |     |
| 65   | 532160367 | SPACER               |        | 1    |     |
| 67   | 872110618 | BOLT                 |        | 1    |     |
| 68   | 532169827 | SHAFT                |        | 1    |     |
| 71   | 532175146 | STEERING GEAR        |        | 1    |     |
| 82   | 532199978 | SUPPORT ESSIEU AVANT |        | 1    |     |
| 87   | 532173966 | WASHER               |        | 1    |     |
| 88   | 532175118 | BOLT                 |        | 1    |     |
| 91   | 532175553 | SPRING               |        | 1    |     |
| 95   | 532188967 | WASHER               |        | 1    |     |
| 97   | 874780564 | BOLT                 |        | 1    |     |

# TRACTOR- -MODEL NO. CTH140XP(96061007101), PRODUCT NO. 960 61 00-71 SCHEMATIC

03053\_197436 (WITH LIGHTS)



### IGNITION SWITCH

| POSITION     | CIRCUIT "MAKE" |
|--------------|----------------|
| OFF          | M+G+A1         |
| RUN/OVERRIDE | B+A1           |
| RUN          | B+A1 L+A2      |
| START        | B + S + A1     |

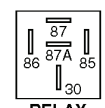
03053

### WIRING INSULATED CLIPS

**NOTE:** IF WIRING INSULATED CLIPS WERE REMOVED FOR SERVICING OF UNIT, THEY SHOULD BE REPLACED TO PROPERLY SECURE YOUR WIRING.



REMOVABLE CONNECTIONS  
NON-REMOVABLE CONNECTIONS



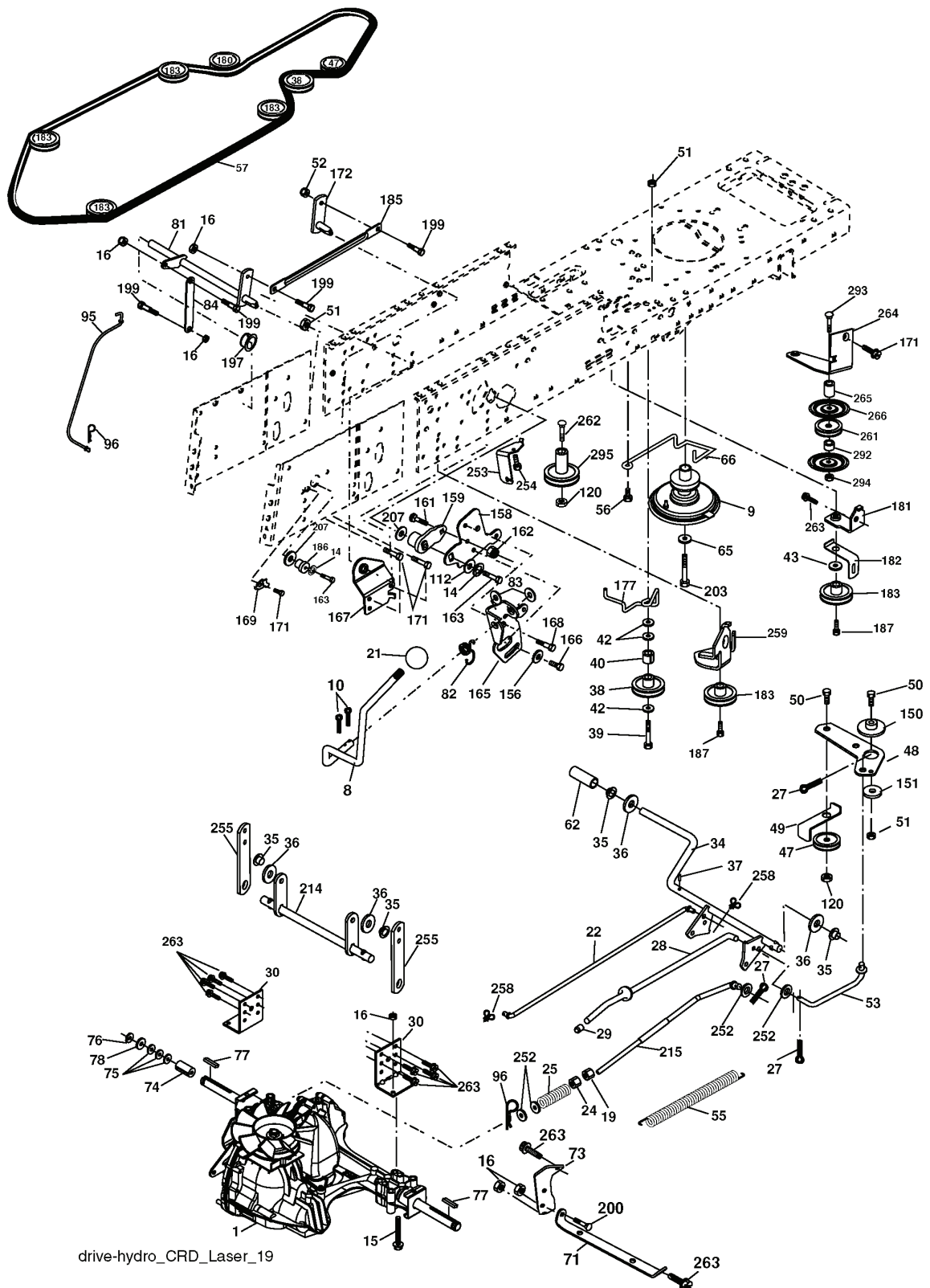
RELAY





# REPAIR PARTS

TRACTOR- -MODEL NO. CTH140XP(96061007101), PRODUCT NO. 960 61 00-71  
DRIVE



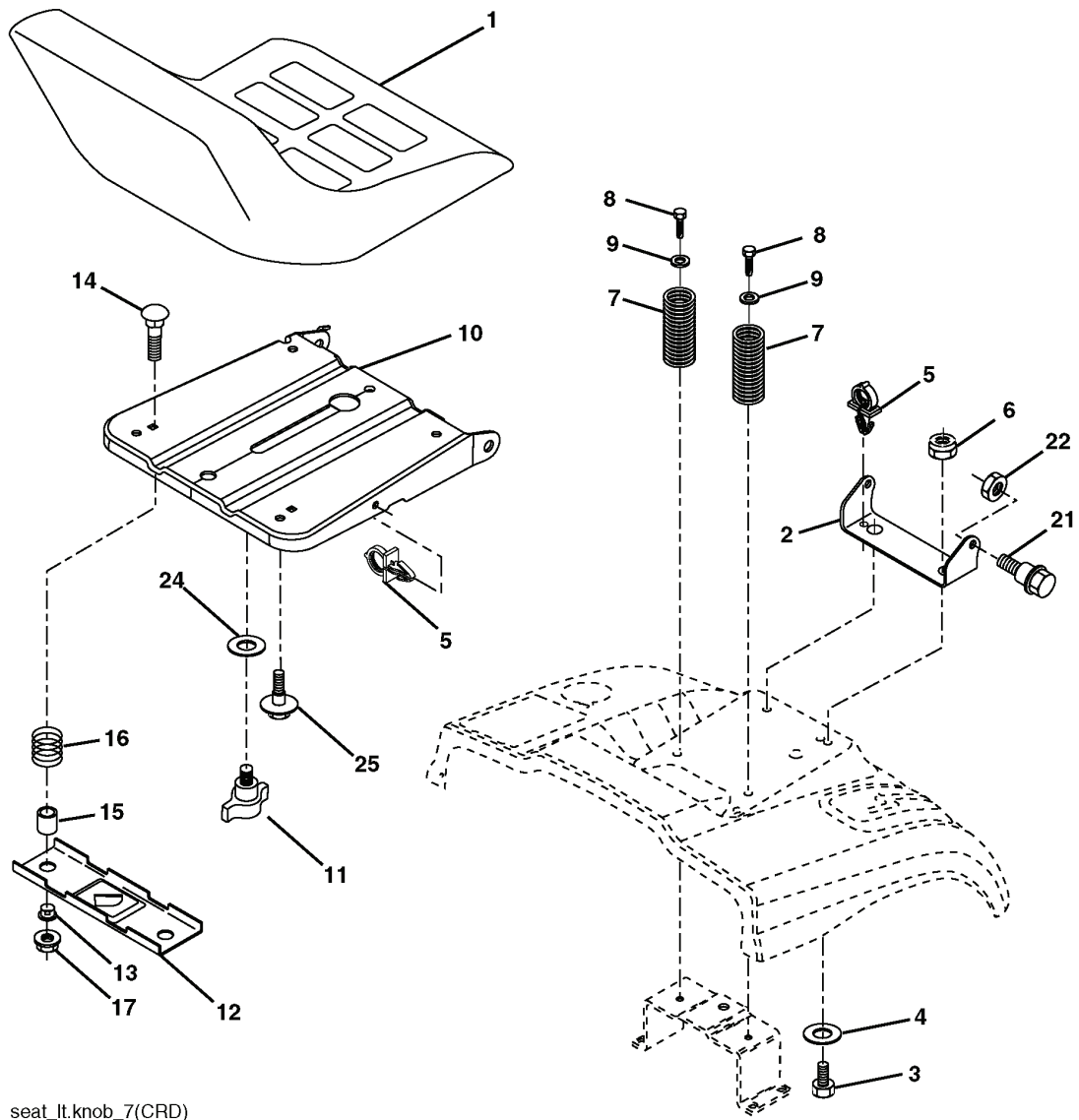
| REF. | PART NO.  | DESCRIPTION            | REMARK | QTY. | KIT |
|------|-----------|------------------------|--------|------|-----|
| 8    | 532192706 | LEVER                  |        | 1    |     |
| 9    | 532180354 | CLUTCH                 |        | 1    |     |
| 10   | 876020416 | SPLIT PIN              |        | 1    |     |
| 14   | 810040400 | WASHER                 |        | 1    |     |
| 15   | 874490544 | SCREW                  |        | 1    |     |
| 16   | 873800500 | LOCK NUT               |        | 1    |     |
| 19   | 873800600 | NUT                    |        | 1    |     |
| 21   | 532121274 | KNOB                   |        | 1    |     |
| 22   | 532175607 | ROD                    |        | 1    |     |
| 24   | 873350600 | NUT                    |        | 1    |     |
| 25   | 873350600 | NUT                    |        | 1    |     |
| 27   | 876020412 | SPLIT PIN              |        | 1    |     |
| 28   | 532175765 | SHAFT                  |        | 1    |     |
| 29   | 532071673 | COVER                  |        | 1    |     |
| 30   | 532169592 | BRACKET                |        | 1    |     |
| 34   | 532175578 | SHAFT                  |        | 1    |     |
| 35   | 532120183 | BEARING                |        | 1    |     |
| 36   | 819211616 | WASHER                 |        | 1    |     |
| 37   | 532124963 | PIN RETAINING SCREW    |        | 1    |     |
| 38   | 532165932 | HOLDER                 |        | 1    |     |
| 39   | 874760644 | BOLT                   |        | 1    |     |
| 40   | 532124965 | SPACER                 |        | 1    |     |
| 42   | 819131312 | WASHER                 |        | 1    |     |
| 43   | 819111012 | WASHER                 |        | 1    |     |
| 47   | 532127783 | PULLEY                 |        | 1    |     |
| 48   | 532154407 | GUIDE                  |        | 1    |     |
| 49   | 532123205 | BELT GUIDE             |        | 1    |     |
| 50   | 872110612 | BOLT                   |        | 1    |     |
| 51   | 873680600 | NUT                    |        | 1    |     |
| 52   | 873680500 | NUT                    |        | 1    |     |
| 53   | 532199652 | TIGE DE TENSION POULIE |        | 1    |     |
| 55   | 532105709 | SPRING                 |        | 1    |     |
| 56   | 817060620 | SCREW                  |        | 1    |     |
| 57   | 532170140 | BELT                   |        | 1    |     |
| 62   | 532123533 | PEDAL RUBBER           |        | 1    |     |
| 65   | 810040700 | WASHER                 |        | 1    |     |
| 66   | 532154778 | TENSIONER              |        | 1    |     |
| 71   | 532169183 | ROD                    |        | 1    |     |
| 73   | 532169182 | BRACKET                |        | 1    |     |
| 74   | 532137057 | SPACER                 |        | 1    |     |
| 75   | 532121749 | WASHER                 |        | 1    |     |
| 76   | 812000001 | RETAINER RING          |        | 1    |     |
| 77   | 532123583 | KEY                    |        | 1    |     |
| 78   | 532121748 | WASHER                 |        | 1    |     |
| 81   | 532170006 | SHAFT                  |        | 1    |     |
| 82   | 532165711 | SPRING                 |        | 1    |     |
| 83   | 819171216 | WASHER                 |        | 1    |     |
| 84   | 532170007 | LINK                   |        | 1    |     |
| 95   | 532170015 | LINK                   |        | 1    |     |
| 96   | 532124788 | RETAINER RING          |        | 1    |     |
| 112  | 819091210 | WASHER                 |        | 1    |     |
| 120  | 873900600 | NUT                    |        | 1    |     |
| 150  | 532165850 | BUSHING                |        | 1    |     |
| 151  | 819133210 | WASHER                 |        | 1    |     |
| 156  | 532166002 | WASHER                 |        | 1    |     |
| 158  | 532165589 | BRACKET                |        | 1    |     |
| 159  | 532183900 | LEVER                  |        | 1    |     |
| 161  | 872140406 | BOLT                   |        | 1    |     |
| 162  | 873680400 | NUT                    |        | 1    |     |
| 163  | 874780416 | BOLT                   |        | 1    |     |
| 165  | 532165623 | BRACKET                |        | 1    |     |
| 166  | 817490510 | SCREW                  |        | 1    |     |
| 167  | 532165588 | BRACKET                |        | 1    |     |
| 168  | 532165492 | BOLT                   |        | 1    |     |
| 169  | 532165580 | RETAINER               |        | 1    |     |
| 171  | 817490608 | SCREW                  |        | 1    |     |
| 172  | 532170271 | LINK                   |        | 1    |     |
| 177  | 532165932 | HOLDER                 |        | 1    |     |
| 181  | 532180211 | BRACKET                |        | 1    |     |
| 182  | 532182682 | BELT GUIDE             |        | 1    |     |
| 183  | 532186007 | PULLEY                 |        | 1    |     |
| 185  | 532170008 | LINK                   |        | 1    |     |
| 186  | 532165614 | HUB                    |        | 1    |     |
| 187  | 817580520 | BOLT                   |        | 1    |     |
| 197  | 532169613 | SLEEVE                 |        | 1    |     |
| 199  | 532169612 | SCREW                  |        | 1    |     |
| 200  | 872140508 | BOLT                   |        | 1    |     |
| 203  | 871170780 | BOLT                   |        | 1    |     |

---

| REF. | PART NO.  | DESCRIPTION | REMARK | QTY. | KIT |
|------|-----------|-------------|--------|------|-----|
| 207  | 532169845 | WASHER      |        | 1    |     |
| 214  | 532175609 | LEVER       |        | 1    |     |
| 215  | 532175652 | ROD         |        | 1    |     |
| 252  | 819131616 | WASHER      |        | 1    |     |
| 253  | 532175028 | BRACKET     |        | 1    |     |
| 254  | 817000616 | SCREW       |        | 1    |     |
| 255  | 532175608 | SHAFT       |        | 1    |     |
| 258  | 532178062 | CLIP        |        | 1    |     |
| 259  | 532180212 | BRACKET     |        | 1    |     |
| 261  | 532131494 | PULLEY      |        | 1    |     |
| 262  | 872110622 | BOLT        |        | 1    |     |
| 263  | 817000612 | SCREW       |        | 1    |     |
| 264  | 532197608 | BRACKET     |        | 1    |     |
| 265  | 532182013 | SPACER      |        | 1    |     |
| 266  | 532182061 | PROTECTOR   |        | 1    |     |
| 292  | 532400271 | SPACER      |        | 1    |     |
| 293  | 872140628 | BOLT        |        | 1    |     |
| 294  | 532197033 | NUT         |        | 1    |     |
| 295  | 532179114 | PULLEY      |        | 1    |     |

# REPAIR PARTS

TRACTOR- -MODEL NO. CTH140XP(96061007101), PRODUCT NO. 960 61 00-71  
SEAT ASSEMBLY



seat\_lt.knob\_7(CRD)

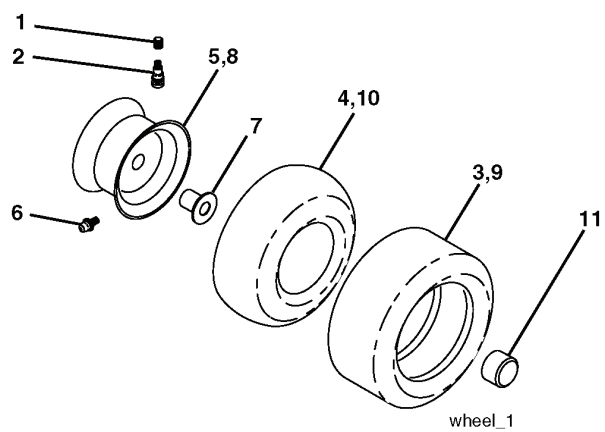
---

| REF. | PART NO.  | DESCRIPTION                 | REMARK | QTY. | KIT |
|------|-----------|-----------------------------|--------|------|-----|
| 1    | 532188713 | SEAT                        |        | 1    |     |
| 2    | 532140551 | BRACKET                     |        | 1    |     |
| 3    | 871110616 | SCREW                       |        | 1    |     |
| 4    | 819131610 | WASHER                      |        | 1    |     |
| 5    | 532145006 | CLIP                        |        | 1    |     |
| 6    | 873800600 | NUT                         |        | 1    |     |
| 7    | 532124181 | SPRING                      |        | 1    |     |
| 8    | 817000616 | SCREW                       |        | 1    |     |
| 9    | 819131614 | WASHER                      |        | 1    |     |
| 10   | 532195530 | BERCEAU DE SIEGE CONDUCTEUR |        | 1    |     |
| 11   | 532166369 | WING NUT                    |        | 1    |     |
| 12   | 532174648 | BRACKET                     |        | 1    |     |
| 13   | 532121248 | BUSHING                     |        | 1    |     |
| 14   | 872050412 | BOLT                        |        | 1    |     |
| 15   | 532121249 | SPACER                      |        | 1    |     |
| 16   | 532123740 | SPRING                      |        | 1    |     |
| 17   | 532123976 | LOCKNUT                     |        | 1    |     |
| 21   | 532171852 | BOLT                        |        | 1    |     |
| 22   | 873800500 | LOCK NUT                    |        | 1    |     |
| 24   | 819171912 | WASHER                      |        | 1    |     |
| 25   | 532127018 | BOLT                        |        | 1    |     |

## REPAIR PARTS

TRACTOR- -MODEL NO. CTH140XP(96061007101), PRODUCT NO. 960 61 00-71

### WHEELS & TIRES

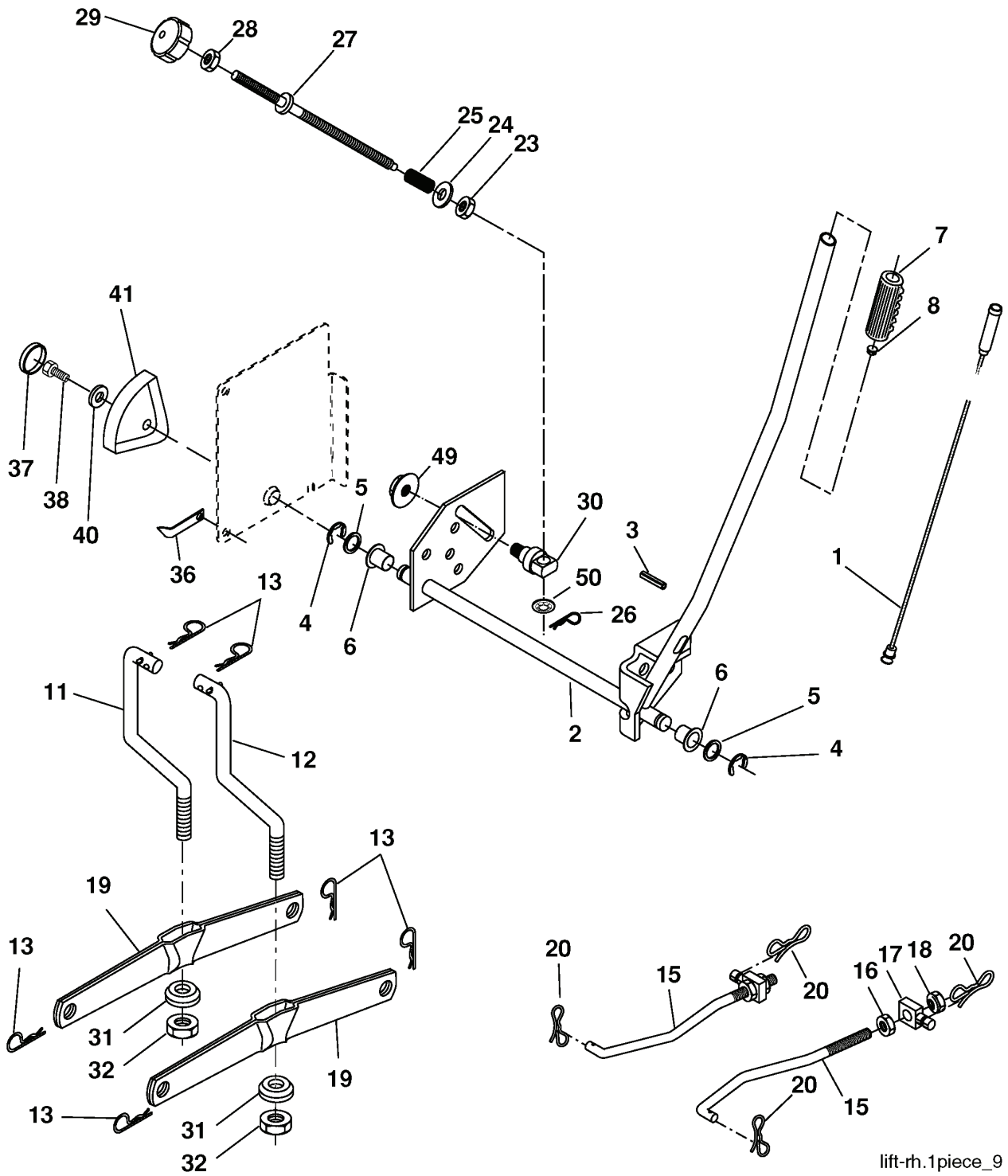


---

| REF. | PART NO.  | DESCRIPTION  | REMARK | QTY. | KIT |
|------|-----------|--------------|--------|------|-----|
| 1    | 532059192 | CAP VALVE    |        | 1    |     |
| 2    | 532065139 | NIPPLE       |        | 1    |     |
| 3    | 532106222 | TIRE         |        | 1    |     |
| 4    | 532059904 | HOSE         |        | 1    |     |
| 5    | 532138336 | RIM          |        | 1    |     |
| 6    | 532124957 | FITTING      |        | 1    |     |
| 7    | 532124959 | BEARING      |        | 1    |     |
| 8    | 532138337 | RIM.SPROCKET |        | 1    |     |
| 9    | 532122082 | TIRE         |        | 1    |     |
| 10   | 532124926 | HOSE         |        | 1    |     |
| 11   | 532175039 | HUB CAP      |        | 1    |     |
| --   | 532144334 | SEALING FOAM |        | 1    |     |

# REPAIR PARTS

TRACTOR- -MODEL NO. CTH140XP(96061007101), PRODUCT NO. 960 61 00-71  
MOWER LIFT





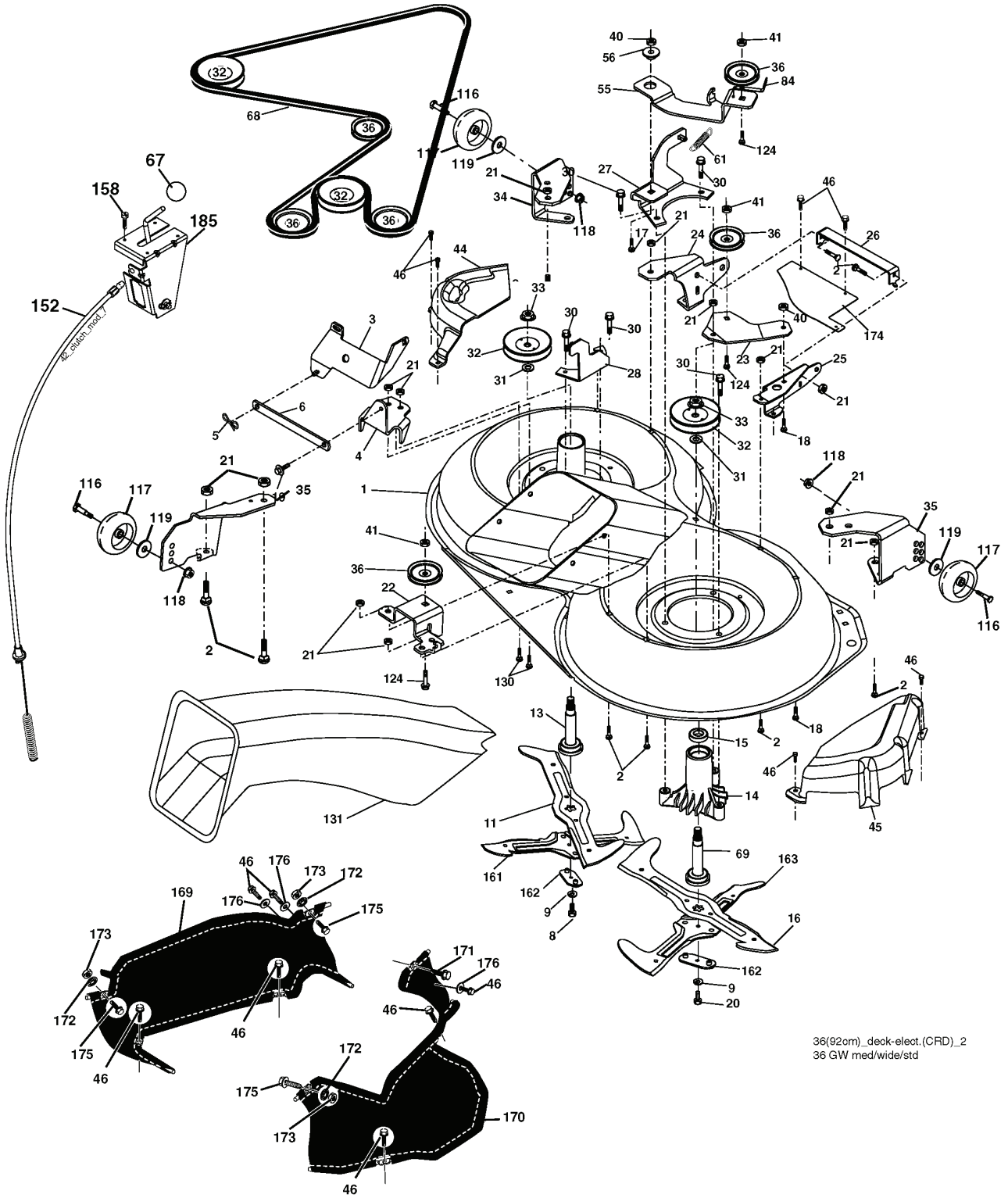
| REF. | PART NO.  | DESCRIPTION         | REMARK | QTY. | KIT |
|------|-----------|---------------------|--------|------|-----|
| 1    | 532159460 | WIRE                |        | 1    |     |
| 2    | 532159471 | LEVER               |        | 1    |     |
| 3    | 532105767 | PIN RETAINING SCREW |        | 1    |     |
| 4    | 812000002 | RETAINER RING       |        | 1    |     |
| 5    | 819211621 | WASHER              |        | 1    |     |
| 6    | 532120183 | BEARING             |        | 1    |     |
| 7    | 532125631 | HANDLE              |        | 1    |     |
| 8    | 532124526 | KNOB                |        | 1    |     |
| 11   | 532165829 | ROD                 |        | 1    |     |
| 12   | 532165831 | ROD                 |        | 1    |     |
| 13   | 532124670 | RETAINER RING       |        | 1    |     |
| 15   | 532173288 | LINK                |        | 1    |     |
| 16   | 873350800 | NUT                 |        | 1    |     |
| 17   | 532175689 | BRACKET             |        | 1    |     |
| 18   | 873800800 | NUT                 |        | 1    |     |
| 19   | 532139868 | LEVER               |        | 1    |     |
| 20   | 532194209 | SPRING              |        | 1    |     |
| 23   | 532110807 | NUT                 |        | 1    |     |
| 24   | 819131016 | WASHER              |        | 1    |     |
| 25   | 532124874 | SPRING              |        | 1    |     |
| 26   | 532169484 | PIN                 |        | 1    |     |
| 27   | 532126971 | LEVER               |        | 1    |     |
| 28   | 873350600 | NUT                 |        | 1    |     |
| 29   | 532138057 | KNOB                |        | 1    |     |
| 30   | 532150233 | TRUNNION            |        | 1    |     |
| 31   | 532169865 | BEARING             |        | 1    |     |
| 32   | 873540600 | NUT                 |        | 1    |     |
| 36   | 532155097 | INDICATOR           |        | 1    |     |
| 37   | 532123935 | PLUG                |        | 1    |     |
| 38   | 817060516 | SCREW               |        | 1    |     |
| 40   | 819112410 | WASHER              |        | 1    |     |
| 41   | 532123934 | INDICATOR           |        | 1    |     |
| 49   | 532145212 | NUT                 |        | 1    |     |
| 50   | 532110452 | NUT                 |        | 1    |     |



| REF. | PART NO.  | DESCRIPTION                  | REMARK | QTY. | KIT |
|------|-----------|------------------------------|--------|------|-----|
| 1    | 532174620 | CHASSIS                      |        | 1    |     |
| 2    | 532180384 | DRAWBAR                      |        | 1    |     |
| 3    | 817060612 | SCREW                        |        | 1    |     |
| 5    | 532155272 | DAMPER                       |        | 1    |     |
| 6    | 532184419 | PLATE                        |        | 1    |     |
| 8    | 532126471 | CLIP                         |        | 1    |     |
| 9    | 532194289 | TABLEAU*RPL.PAR 532193518014 |        | 1    |     |
| 10   | 872140608 | BOLT                         |        | 1    |     |
| 11   | 532174996 | DASHBOARD                    |        | 1    |     |
| 13   | 532172106 | DASH                         |        | 1    |     |
| 15   | 874180512 | SCREW                        |        | 1    |     |
| 16   | 873510500 | NUT                          |        | 1    |     |
| 17   | 532188893 | HOOD                         |        | 1    |     |
| 18   | 532184921 | BUMPER                       |        | 1    |     |
| 24   | 874780616 | BOLT                         |        | 1    |     |
| 25   | 819131312 | WASHER                       |        | 1    |     |
| 26   | 873800600 | NUT                          |        | 1    |     |
| 28   | 532183538 | GRILL                        |        | 1    |     |
| 30   | 532197376 | GUARD                        |        | 1    |     |
| 31   | 532165156 | BRACKET                      |        | 1    |     |
| 33   | 532181057 | FOOTREST                     |        | 1    |     |
| 34   | 532181058 | FOOTREST                     |        | 1    |     |
| 35   | 872110606 | BOLT                         |        | 1    |     |
| 37   | 817490508 | SCREW                        |        | 1    |     |
| 38   | 532181748 | BRACKET                      |        | 1    |     |
| 39   | 532174714 | BRACKET PIVOT LASER LT       |        | 1    |     |
| 58   | 532184270 | DUCT                         |        | 1    |     |
| 69   | 532142432 | SCREW                        |        | 1    |     |
| 89   | 532197377 | BRACKET                      |        | 1    |     |
| 145  | 532156524 | SHAFT                        |        | 1    |     |
| 162  | 532180382 | BRACKET                      |        | 1    |     |
| 163  | 532180383 | BRACKET                      |        | 1    |     |
| 164  | 532165605 | SUPPORT                      |        | 1    |     |
| 165  | 532181100 | COVER                        |        | 1    |     |
| 170  | 532199488 | COVER                        |        | 1    |     |
| 171  | 872140620 | BOLT                         |        | 1    |     |
| 172  | 819132016 | WASHER                       |        | 1    |     |
| 173  | 873510600 | NUT                          |        | 1    |     |
| 175  | 532188203 | DOOR TRAP                    |        | 1    |     |
| 179  | 532188202 | ROD PIVOT FBI                |        | 1    |     |
| 184  | 532174662 | BRACKET                      |        | 1    |     |
| 185  | 532181101 | KNOB                         |        | 1    |     |
| 186  | 532160793 | LATCH                        |        | 1    |     |
| 187  | 532125004 | NUT                          |        | 1    |     |
| 188  | 819061216 | WASHER                       |        | 1    |     |
| 189  | 810071000 | WASHER                       |        | 1    |     |
| 190  | 871081010 | SCREW                        |        | 1    |     |
| 198  | 532168937 | WASHER                       |        | 1    |     |
| 205  | 817490608 | SCREW                        |        | 1    |     |
| 207  | 817670508 | SCREW                        |        | 1    |     |
| 208  | 817670608 | SCREW                        |        | 1    |     |
| 209  | 817000612 | SCREW                        |        | 1    |     |
| 212  | 532183548 | INSERT                       |        | 1    |     |
| 256  | 532181361 | COVER                        |        | 1    |     |
| 258  | 532185213 | LENS                         |        | 1    |     |
| 259  | 532185214 | LENS                         |        | 1    |     |
| 260  | 532185216 | INSERT                       |        | 1    |     |
| 261  | 532185212 | INSERT                       |        | 1    |     |
| 265  | 532185704 | SEALING                      |        | 1    |     |
| 266  | 532185703 | SEALING                      |        | 1    |     |
| 272  | 532188895 | VENT HOOD LH                 |        | 1    |     |
| 273  | 532188896 | VENT HOOD RH                 |        | 1    |     |
| 278  | 532191611 | SCREW                        |        | 1    |     |

# REPAIR PARTS

TRACTOR- -MODEL NO. CTH140XP(96061007101), PRODUCT NO. 960 61 00-71  
MOWER

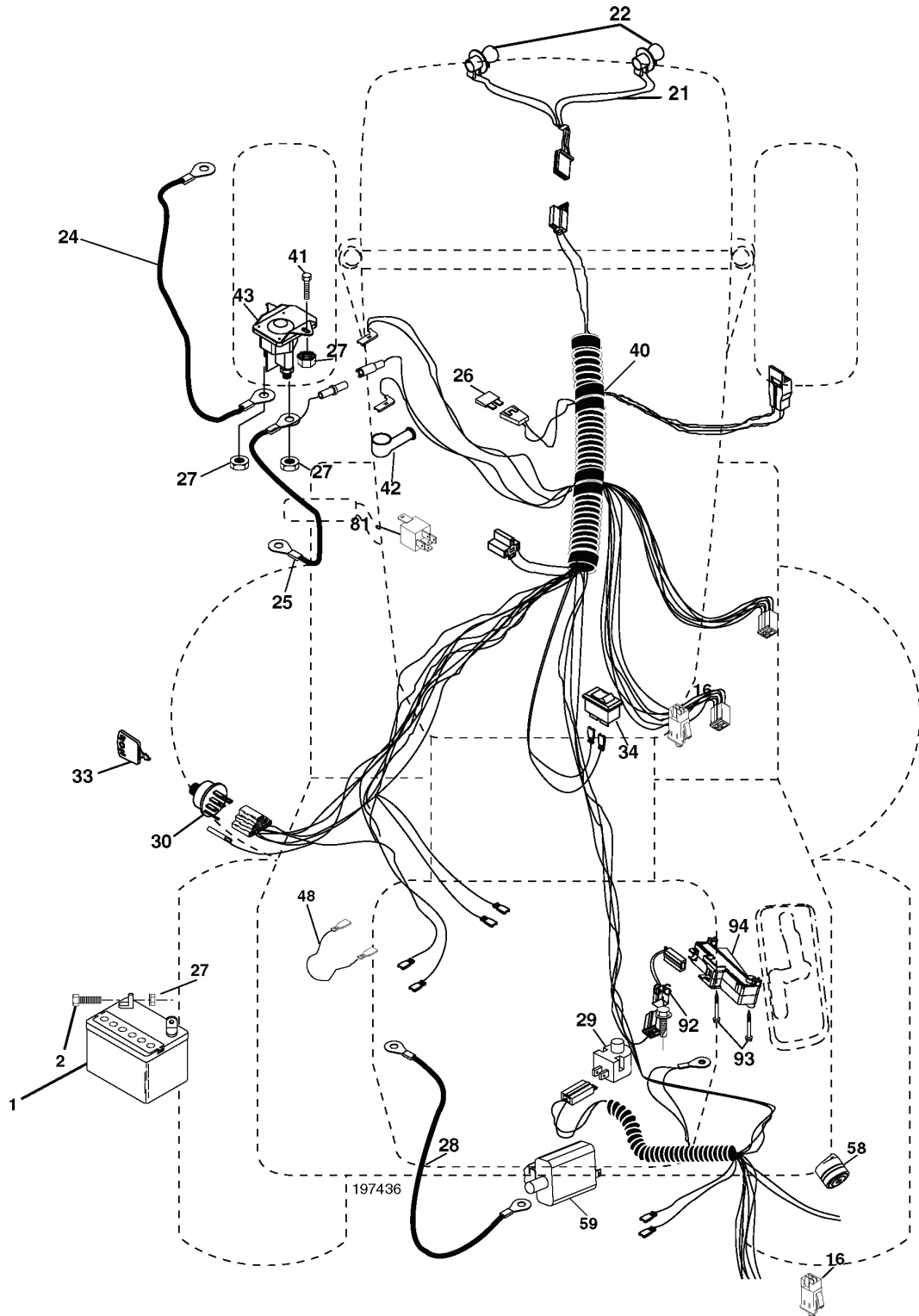


36(92cm)\_deck-elect.(CRD)\_2  
36 GW med/wide/std

| REF. | PART NO.  | DESCRIPTION     | REMARK | QTY. | KIT |
|------|-----------|-----------------|--------|------|-----|
| 1    | 532400108 | HOUSING         |        | 1    |     |
| 2    | 872140506 | BOLT            |        | 1    |     |
| 3    | 532165569 | BRACKET         |        | 1    |     |
| 4    | 532165558 | BRACKET         |        | 1    |     |
| 5    | 532124670 | RETAINER RING   |        | 1    |     |
| 6    | 532165557 | ROD             |        | 1    |     |
| 8    | 532181712 | BOLT            |        | 1    |     |
| 9    | 810030600 | WASHER          |        | 1    |     |
| 11   | 532186385 | BLADE           |        | 1    |     |
| 13   | 532137645 | SHAFT           |        | 1    |     |
| 14   | 532128774 | BEARING HOUSING |        | 1    |     |
| 15   | 532110485 | BEARING         |        | 1    |     |
| 16   | 532186386 | BLADE           |        | 1    |     |
| 17   | 872140610 | BOLT            |        | 1    |     |
| 18   | 872110606 | BOLT            |        | 1    |     |
| 19   | 532132827 | SPEC. BOLT      |        | 1    |     |
| 20   | 532181713 | BOLT            |        | 1    |     |
| 21   | 873680500 | NUT             |        | 1    |     |
| 22   | 532199590 | BRACKET         |        | 1    |     |
| 23   | 532165446 | PLATE           |        | 1    |     |
| 24   | 532165242 | BRACKET         |        | 1    |     |
| 25   | 532165244 | BRACKET         |        | 1    |     |
| 26   | 532400110 | SUPPORT         |        | 1    |     |
| 27   | 532165568 | BRACKET         |        | 1    |     |
| 28   | 532165567 | BRACKET         |        | 1    |     |
| 30   | 532173984 | SCREW           |        | 1    |     |
| 31   | 532187690 | WASHER          |        | 1    |     |
| 32   | 532153531 | PULLEY          |        | 1    |     |
| 33   | 532400234 | NUT             |        | 1    |     |
| 34   | 532400107 | BRACKET         |        | 1    |     |
| 35   | 532400106 | BRACKET         |        | 1    |     |
| 36   | 532146763 | PULLEY          |        | 1    |     |
| 40   | 873680600 | NUT             |        | 1    |     |
| 41   | 873900600 | NUT             |        | 1    |     |
| 44   | 532175538 | COVER           |        | 1    |     |
| 45   | 532175539 | COVER           |        | 1    |     |
| 46   | 532137729 | SCREW           |        | 1    |     |
| 55   | 532199498 | ARM             |        | 1    |     |
| 56   | 532165723 | SPACER          |        | 1    |     |
| 61   | 532199486 | SPRING          |        | 1    |     |
| 67   | 532106932 | KNOB            |        | 1    |     |
| 68   | 532180217 | BELT            |        | 1    |     |
| 69   | 532165482 | SHAFT           |        | 1    |     |
| 84   | 532156085 | BELT GUIDE      |        | 1    |     |
| 116  | 532184219 | BOLT            |        | 1    |     |
| 117  | 532174873 | WHEEL           |        | 1    |     |
| 118  | 873930600 | NUT             |        | 1    |     |
| 119  | 819121414 | WASHER          |        | 1    |     |
| 124  | 872110612 | BOLT            |        | 1    |     |
| 130  | 872110506 | BOLT            |        | 1    |     |
| 131  | 532165661 | PIPE            |        | 1    |     |
| 152  | 532176074 | WIRE            |        | 1    |     |
| 158  | 817720410 | SCREW           |        | 1    |     |
| 161  | 532186387 | BLADE           |        | 1    |     |
| 162  | 532180878 | ADAPTER         |        | 1    |     |
| 163  | 532186388 | BLADE           |        | 1    |     |
| 169  | 532400274 | GUARD           |        | 1    |     |
| 170  | 532400275 | PROTECTOR       |        | 1    |     |
| 171  | 817490608 | SCREW           |        | 1    |     |
| 172  | 532401220 | STARLOCK 3/8    |        | 1    |     |
| 173  | 873800600 | NUT             |        | 1    |     |
| 174  | 532400241 | PROTECTOR       |        | 1    |     |
| 175  | 872110608 | BOLT            |        | 1    |     |
| 185  | 532188234 | CABLE           |        | 1    |     |
| --   | 532181857 | BEARING HOUSING |        | 1    |     |
| --   | 532181858 | BEARING HOUSING |        | 1    |     |
| --   | 532400309 | DECK SHELL      |        | 1    |     |

# REPAIR PARTS

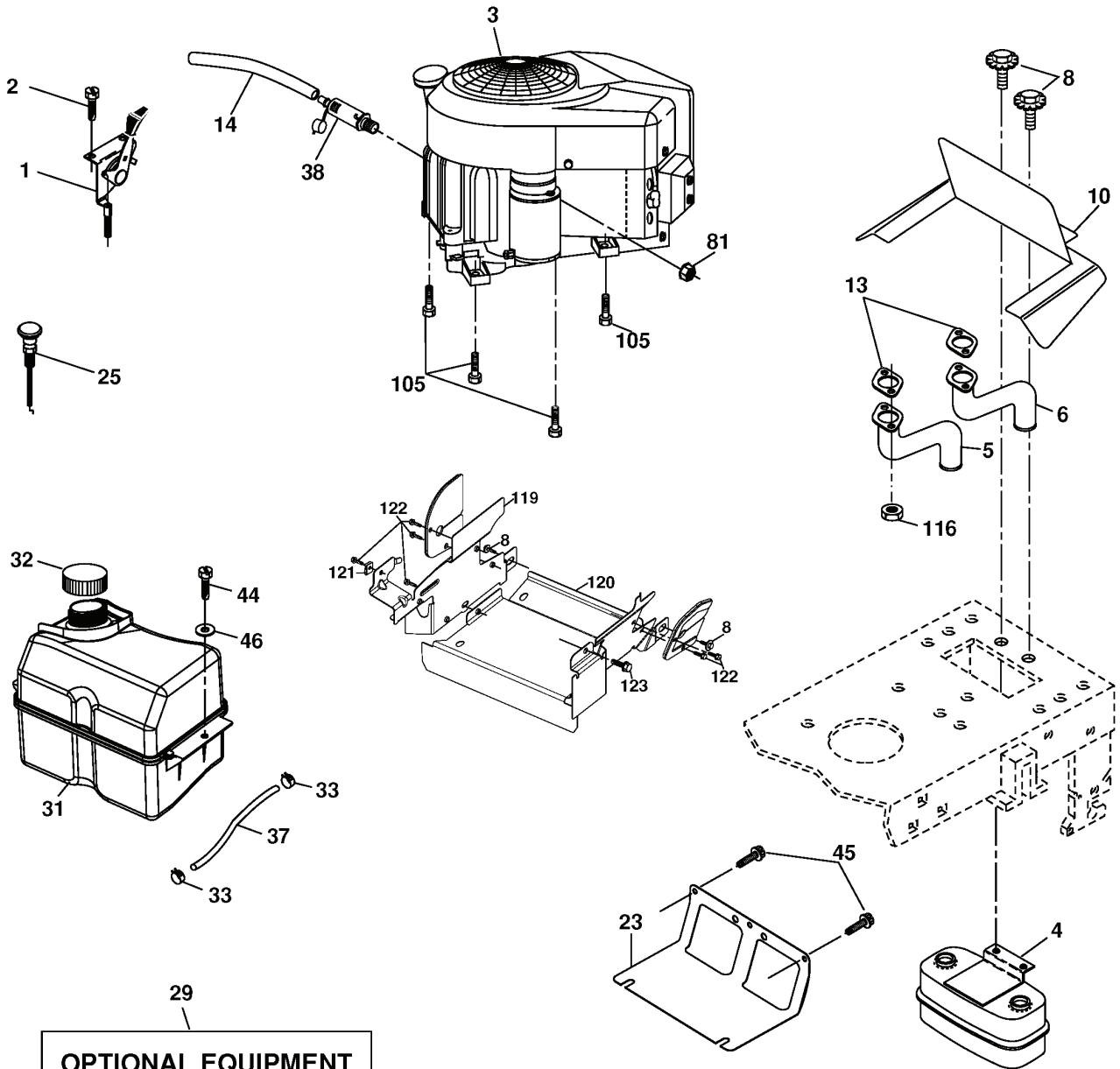
TRACTOR- -MODEL NO. CTH140XP(96061007101), PRODUCT NO. 960 61 00-71  
ELECTRICAL



| REF. | PART NO.  | DESCRIPTION            | REMARK | QTY. | KIT |
|------|-----------|------------------------|--------|------|-----|
| 1    | 532144927 | BATTERY                |        | 1    |     |
| 2    | 874760412 | BOLT                   |        | 1    |     |
| 16   | 532176138 | MICRO SWITCH           |        | 1    |     |
| 21   | 532175688 | HARNES                 |        | 1    |     |
| 22   | 532004152 | BULB                   |        | 1    |     |
| 24   | 532124780 | CABLE                  |        | 1    |     |
| 25   | 532165987 | CABLE                  |        | 1    |     |
| 26   | 532175158 | FUSE                   |        | 1    |     |
| 27   | 873510400 | NUT                    |        | 1    |     |
| 28   | 532127725 | CABLE                  |        | 1    |     |
| 29   | 532192749 | SWITCH.SEAT.DP W/RAMPS |        | 1    |     |
| 30   | 532193350 | IGNITION MODULE        |        | 1    |     |
| 33   | 532140401 | KEY                    |        | 1    |     |
| 34   | 532110712 | SWITCH                 |        | 1    |     |
| 40   | 532197436 | CABLE ASSY             |        | 1    |     |
| 41   | 871110408 | BOLT                   |        | 1    |     |
| 42   | 532131563 | COVER                  |        | 1    |     |
| 43   | 532192507 | SOLENOID               |        | 1    |     |
| 48   | 532140844 | ADAPTER                |        | 1    |     |
| 58   | 532169419 | BUZZER                 |        | 1    |     |
| 59   | 532180379 | SWITCH FBI             |        | 1    |     |
| 66   | 817490608 | SCREW                  |        | 1    |     |
| 81   | 532109748 | RELAY                  |        | 1    |     |
| 92   | 532196615 | CABLE ASSY             |        | 1    |     |
| 93   | 532192540 | SCREW                  |        | 1    |     |
| 94   | 532191834 | MODULE.REVERSE.ROS     |        | 1    |     |

# REPAIR PARTS

TRACTOR- -MODEL NO. CTH140XP(96061007101), PRODUCT NO. 960 61 00-71  
ENGINE



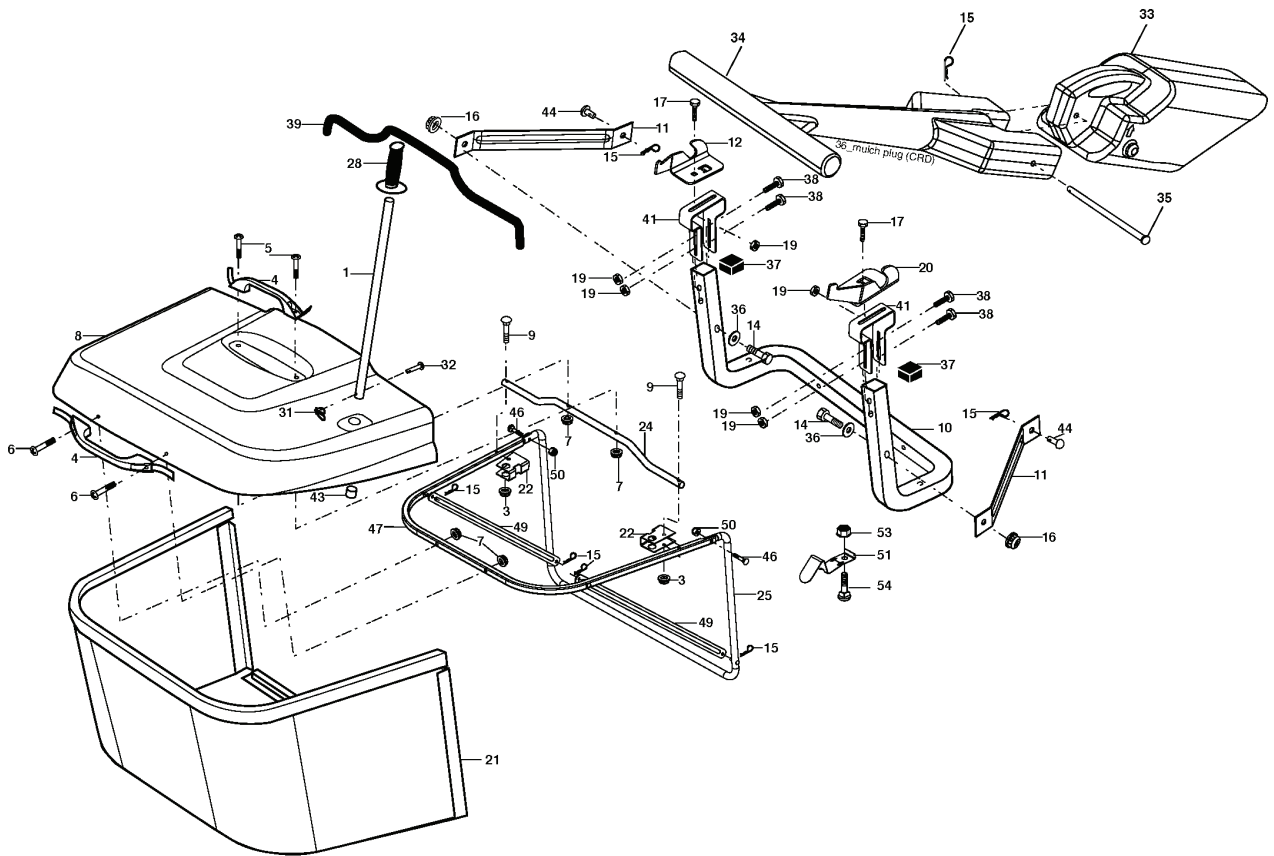
29  
**OPTIONAL EQUIPMENT**  
Spark Arrester



| REF. | PART NO.  | DESCRIPTION        | REMARK | QTY. | KIT |
|------|-----------|--------------------|--------|------|-----|
| 1    | 532170803 | CONTROL THROT FLAG |        | 1    |     |
| 2    | 817720408 | SCREW              |        | 1    |     |
| 4    | 532149723 | MUFFLER            |        | 1    |     |
| 5    | 532181444 | TUBE               |        | 1    |     |
| 6    | 532181442 | TUBE               |        | 1    |     |
| 8    | 532171877 | BOLT               |        | 1    |     |
| 10   | 532146629 | HEAT SHIELD        |        | 1    |     |
| 14   | 532148456 | TUBE               |        | 1    |     |
| 23   | 532169837 | HEAT SHIELD        |        | 1    |     |
| 25   | 532191812 | CONTROL            |        | 1    |     |
| 29   | 532137180 | SPARK ARRESTER KIT |        | 1    |     |
| 31   | 532185534 | TANK UNIT          |        | 1    |     |
| 32   | 532140527 | FUEL CAP           |        | 1    |     |
| 33   | 532123487 | HOSE CLAMP         |        | 1    |     |
| 37   | 532137040 | HOSE               |        | 1    |     |
| 44   | 817670412 | SCREW              |        | 1    |     |
| 45   | 817000612 | SCREW              |        | 1    |     |
| 46   | 819091416 | WASHER             |        | 1    |     |
| 81   | 873510400 | NUT                |        | 1    |     |
| 105  | 817120616 | SCREW              |        | 1    |     |
| 116  | 532184362 | NUT                |        | 1    |     |
| 119  | 532400601 | PROTECTOR          |        | 1    |     |
| 120  | 532400600 | PROTECTOR          |        | 1    |     |
| 121  | 532196688 | NUT                |        | 1    |     |
| 122  | 532137729 | SCREW              |        | 1    |     |
| 123  | 817670508 | SCREW              |        | 1    |     |

# REPAIR PARTS

TRACTOR- -MODEL NO. CTH140XP(96061007101), PRODUCT NO. 960 61 00-71  
BAGGER



Bagger Asy (CRD)\_11

| REF. | PART NO.  | DESCRIPTION         | REMARK | QTY. | KIT |
|------|-----------|---------------------|--------|------|-----|
| 1    | 532165249 | ROD                 |        | 1    |     |
| 3    | 532123976 | LOCKNUT             |        | 1    |     |
| 4    | 532169916 | HANDLE              |        | 1    |     |
| 5    | 874981024 | SCREW               |        | 1    |     |
| 6    | 874981032 | SCREW               |        | 1    |     |
| 7    | 873401000 | NUT                 |        | 1    |     |
| 8    | 532181095 | COVER               |        | 1    |     |
| 9    | 872140418 | BOLT                |        | 1    |     |
| 10   | 532181282 | TUBE                |        | 1    |     |
| 11   | 532165719 | ROD                 |        | 1    |     |
| 12   | 532188848 | BRACKET             |        | 1    |     |
| 14   | 874520636 | BOLT                |        | 1    |     |
| 15   | 532124670 | RETAINER RING       |        | 1    |     |
| 16   | 873900600 | NUT                 |        | 1    |     |
| 17   | 872140506 | BOLT                |        | 1    |     |
| 19   | 873900500 | NUT                 |        | 1    |     |
| 20   | 532188847 | BRACKET             |        | 1    |     |
| 21   | 532193838 | BAG                 |        | 1    |     |
| 22   | 532165781 | CLAMP               |        | 1    |     |
| 24   | 532165783 | FRAME               |        | 1    |     |
| 25   | 532193705 | PIPE                |        | 1    |     |
| 28   | 532165787 | HANDLE              |        | 1    |     |
| 31   | 532169484 | PIN                 |        | 1    |     |
| 32   | 532126875 | RIVET               |        | 1    |     |
| 33   | 532165571 | PLUG                |        | 1    |     |
| 34   | 532165570 | HANDLE              |        | 1    |     |
| 35   | 532165572 | PIN RETAINING SCREW |        | 1    |     |
| 36   | 819132012 | WASHER              |        | 1    |     |
| 37   | 532175401 | PLUG                |        | 1    |     |
| 38   | 872010520 | BOLT                |        | 1    |     |
| 39   | 532180985 | SEAL                |        | 1    |     |
| 41   | 532169683 | BRACKET             |        | 1    |     |
| 43   | 532174083 | PLUG                |        | 1    |     |
| 44   | 532193312 | PIN CLEVIS          |        | 1    |     |
| 46   | 872110510 | BOLT                |        | 1    |     |
| 47   | 532193704 | PIPE                |        | 1    |     |
| 49   | 532193305 | ROD                 |        | 1    |     |
| 50   | 873800500 | LOCK NUT            |        | 1    |     |
| 51   | 532199903 | LATCH               |        | 1    |     |
| 53   | 873510400 | NUT                 |        | 1    |     |
| 54   | 872140406 | BOLT                |        | 1    |     |
|      | PART NO.  |                     | REMARK |      | KIT |