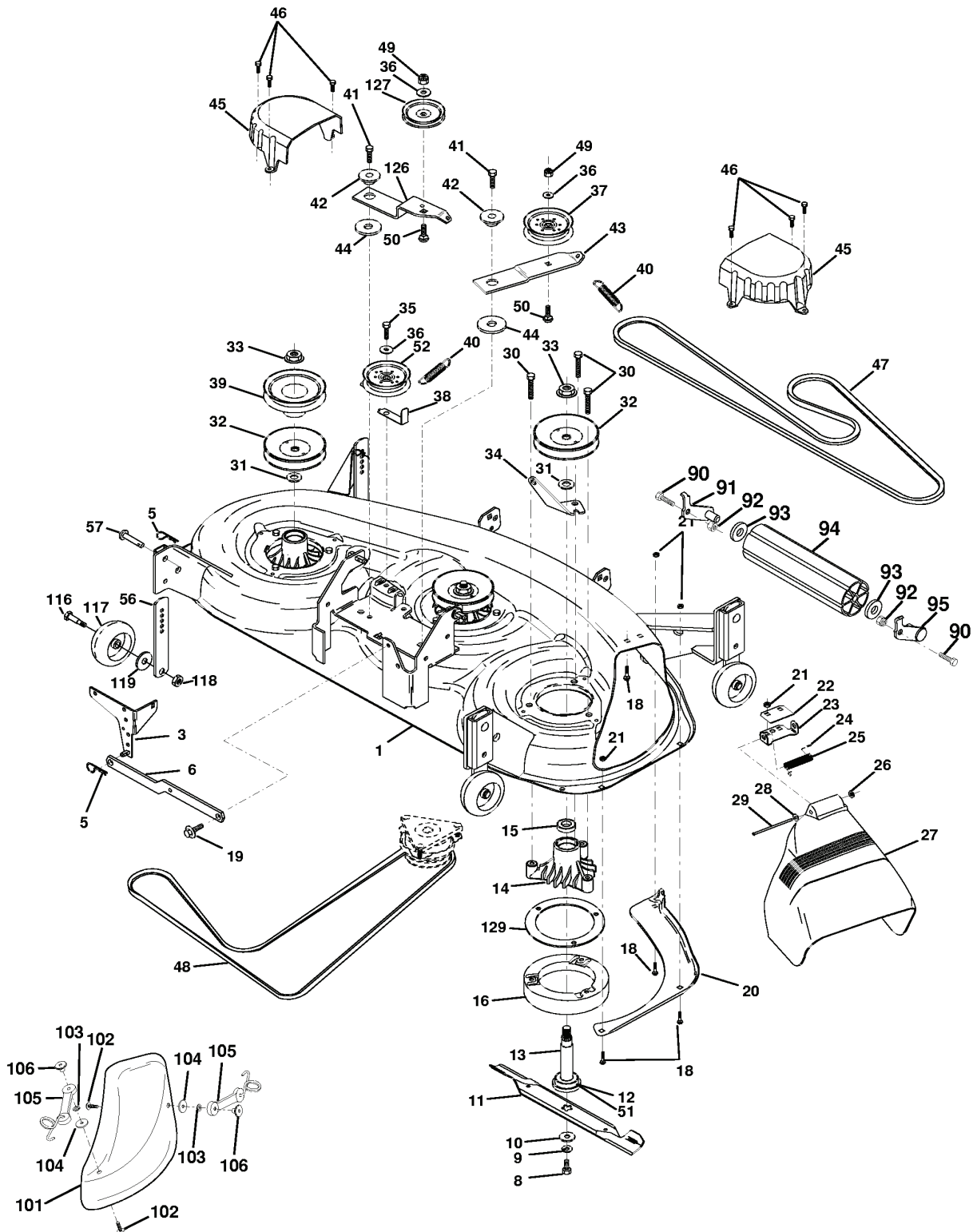


GTVH205, 954140102A, 1999-10

SPARE PARTS LIST

REPAIR PARTS

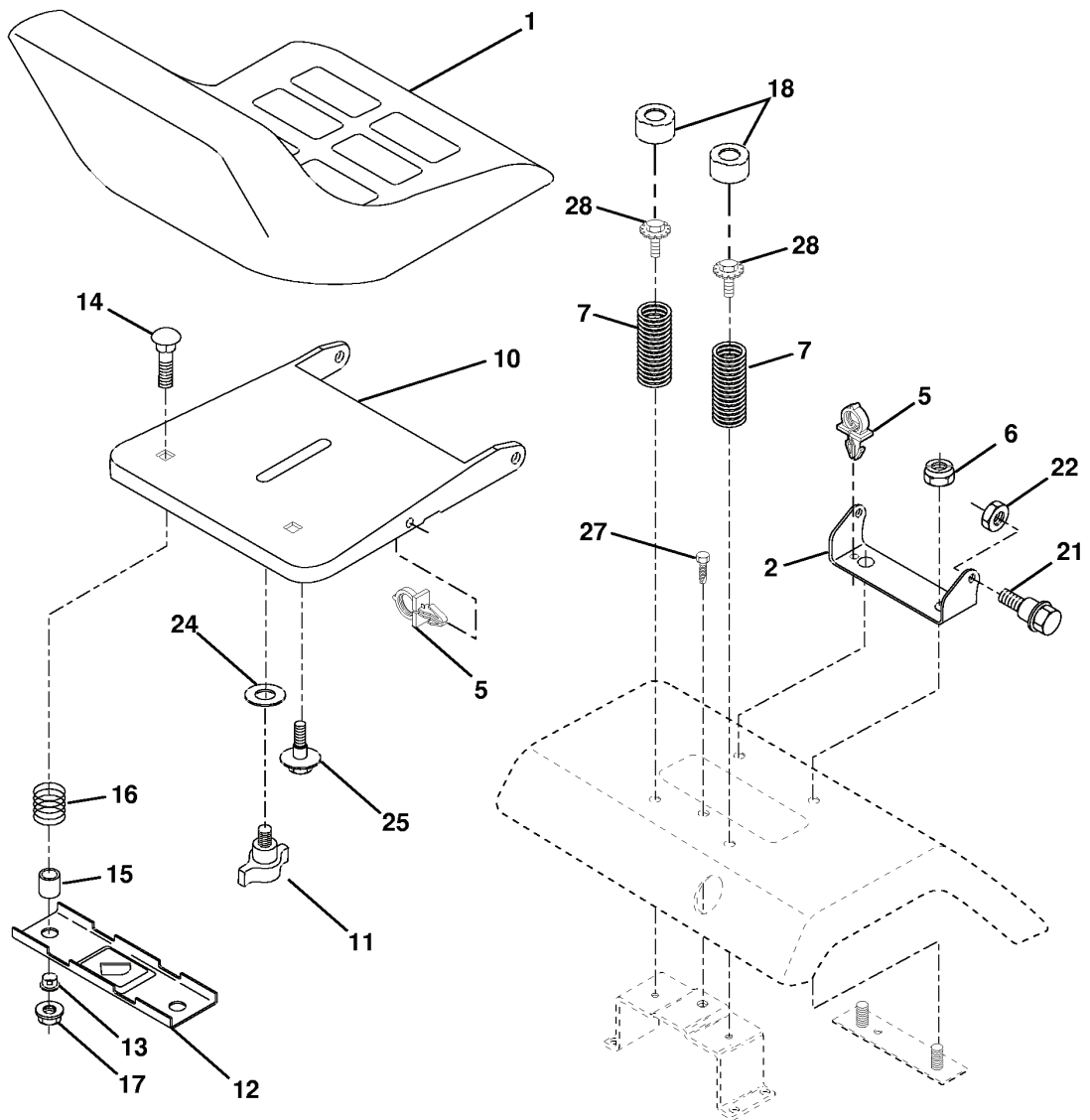
TRACTOR - MODEL NO. GTVH205 (954140102A), PRODUCT NO. 954 14 01-02
MOWER DECK



REF.	PART NO.	DESCRIPTION	REMARK	QTY.	KIT
3	532138457	BRACKET		1	
6	532130832	LEVER		1	
8	532850857	BOLT		1	
10	532140296	WASHER		1	
11	532170698	BLADE		1	
532152443	532152443	RIDE ON BLADE		1	
12	532129895	BEARING		1	
13	532137553	SHAFT		1	
14	532137152	BEARING HOUSING		1	
15	532110485	BEARING		1	
16	532140329	STRIPPER		1	
20	532145055	PLATE		1	
22	532134753	PLATE		1	
23	532131267	BRACKET		1	
24	532105304	HUB CAP		1	
25	532149287	SPRING		1	
26	532110452	NUT		1	
32	532153531	PULLEY		1	
34	532144945	BRACKET		1	
37	532131494	PULLEY		1	
38	532156086	HOLDER		1	
39	532144917	PULLEY		1	
40	532137273	SPRING		1	
42	532165723	SPACER		1	
43	532144949	TENSIONER		1	
44	532133943	WASHER		1	
45	532145059	COVER		1	
46	532171253	SCREW		1	
47	532144959	BELT		1	
48	532148763	BELT		1	
51	532153390	GASKET		1	
52	532156493	PULLEY		1	
56	532155986	BAR		1	
91	532132274	BRACKET		1	
94	532132264	ROLLER		1	
95	532132273	BRACKET		1	
101	532145579	DEFLECTEUR BROYAGE 145579		1	
102	871161010	SCREW		1	
103	810071000	WASHER		1	
104	532125004	NUT		1	
105	819061216	WASHER		1	
106	532160793	LATCH		1	
117	532133957	WHEEL		1	
126	532144948	LEVER		1	
127	532146763	PULLEY		1	
--	532143651	MANDREL		1	

REPAIR PARTS

TRACTOR - MODEL NO. GTVH205 (954140102A), PRODUCT NO. 954 1401-02
SEAT ASSEMBLY

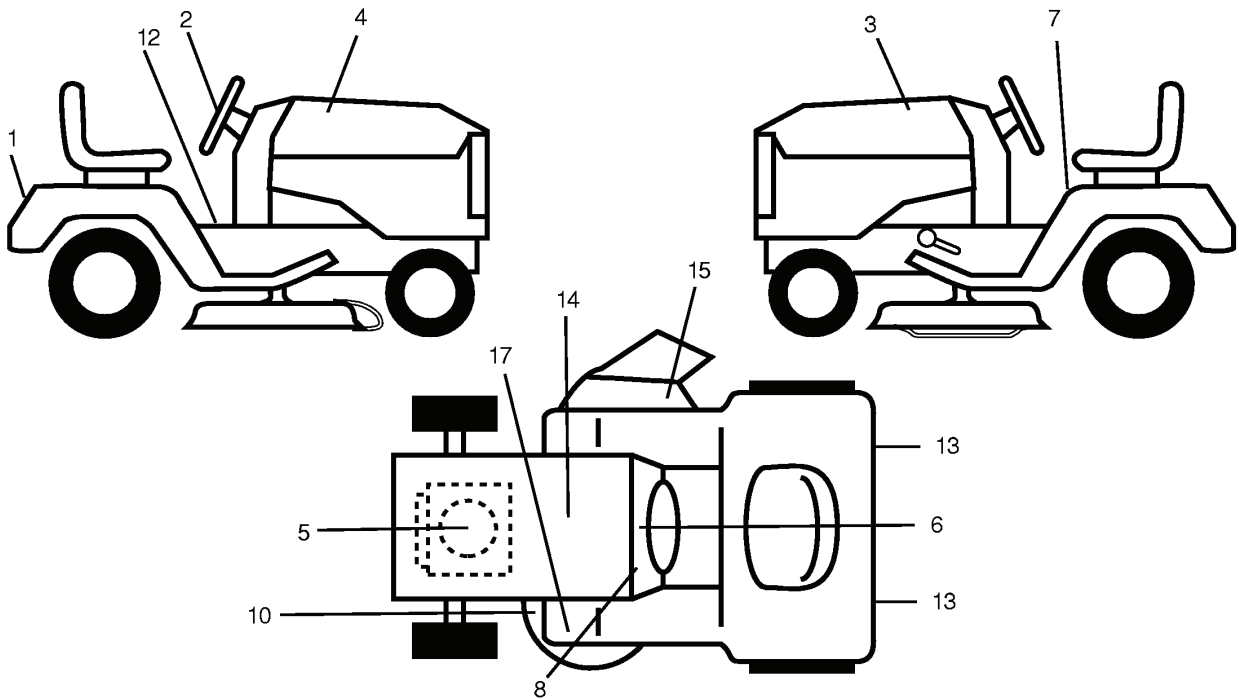


REF.	PART NO.	DESCRIPTION	REMARK	QTY.	KIT
1	532140840	SEAT		1	
2	532140551	BRACKET		1	
5	532145006	CLIP		1	
7	532124181	SPRING		1	
10	532155925	BRACKET		1	
11	532166369	WING NUT		1	
12	532121246	BRACKET		1	
13	532121248	BUSHING		1	
14	532171040	BOLT		1	
15	532121249	SPACER		1	
16	532123740	SPRING		1	
17	532171041	NUT LOCK		1	
18	532124238	HUB CAP		1	
22	532171026	NUT		1	

REPAIR PARTS

TRACTOR - MODEL NO. GTVH205 (954140102A), PRODUCT NO. 954 1401-02

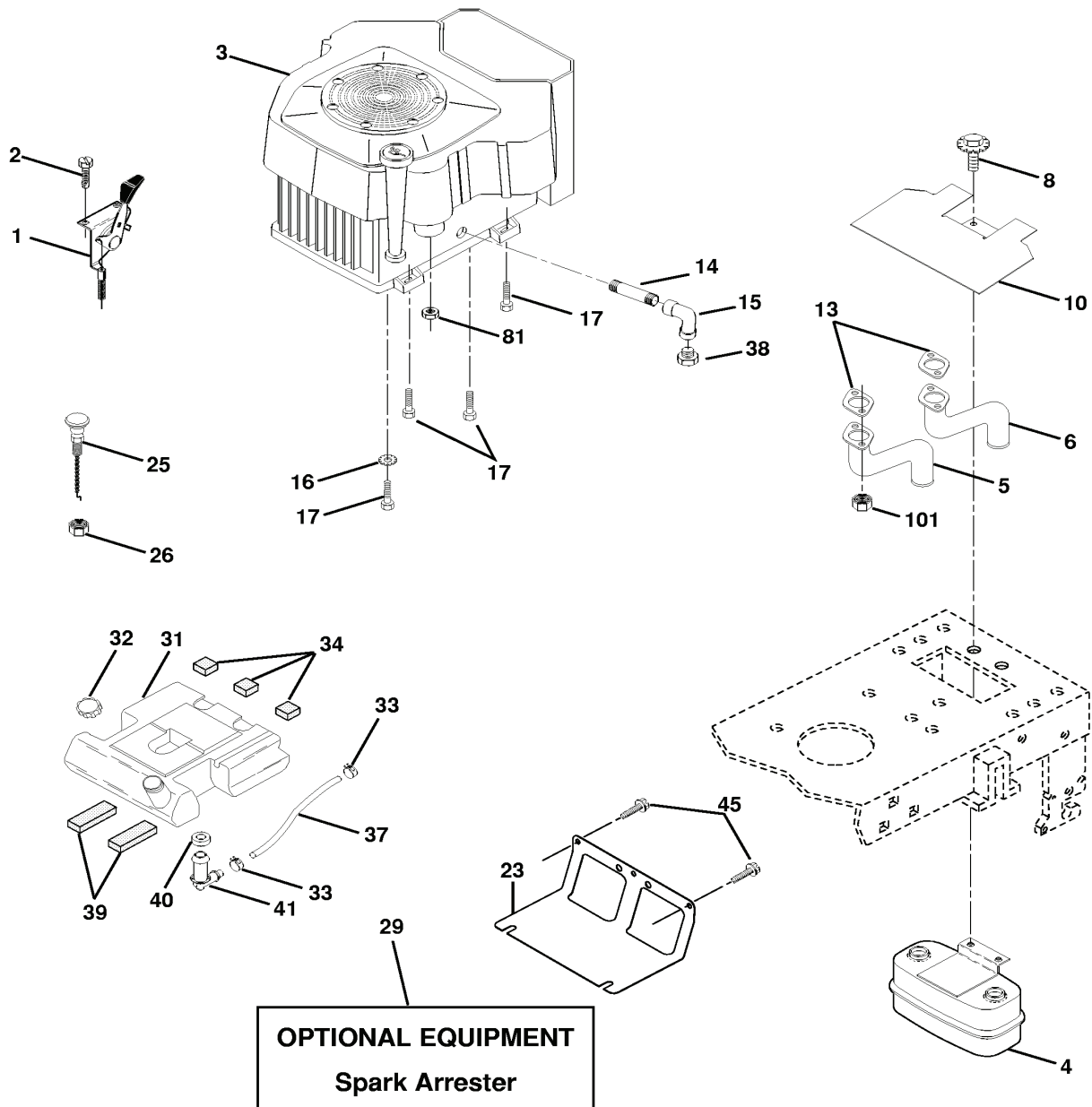
DECALS



REF.	PART NO.	DESCRIPTION	REMARK	QTY.	KIT
1	532150617	DECAL		1	
2	532170564	DECAL		1	
7	532157140	DECAL		1	
10	532160397	DECAL		1	
13	532106202	REFLECTOR		1	
14	532145005	DECAL		1	
15	532137259	DECAL		1	
17	532101892	DECAL		1	
--	532142341	DECAL		1	
--	532171237	PLATE		1	
--	532138311	DECAL		1	

REPAIR PARTS

TRACTOR - MODEL NO. GTVH205 (954140102A), PRODUCT NO. 954 14 01-02
ENGINE

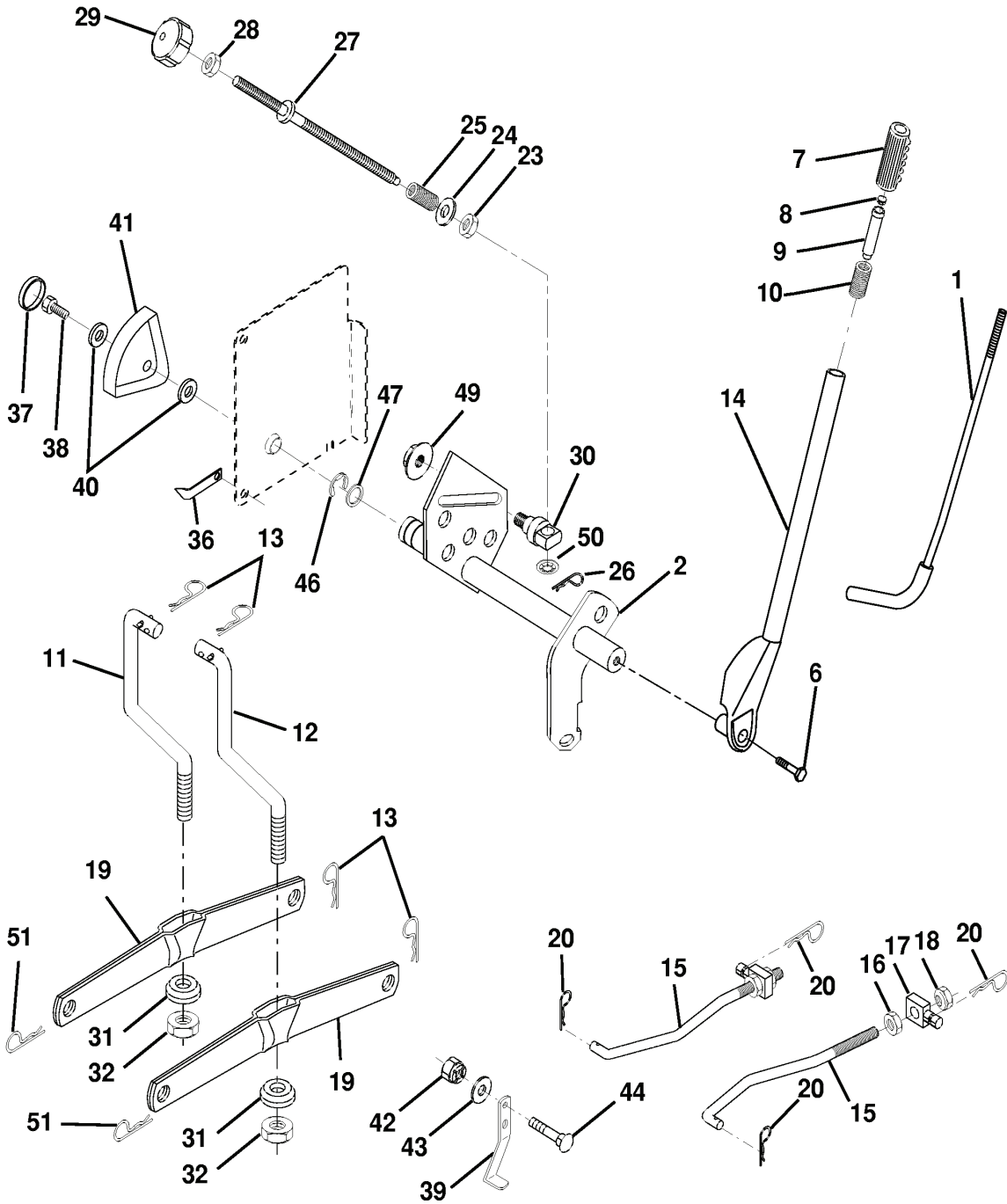


REF.	PART NO.	DESCRIPTION	REMARK	QTY.	KIT
1	532155274	THROTTLE TRIGGER		1	
4	532149723	MUFFLER		1	
5	532146699	PIPE		1	
6	532146700	PIPE		1	
10	532146629	HEAT SHIELD		1	
14	813280336	PIPE		1	
15	813200300	ELBOW		1	
23	532169837	HEAT SHIELD		1	
25	532145996	CHOKE CONTROL		1	
26	873920600	NUT		1	
29	532137180	SPARK ARRESTER KIT		1	
31	532151346	TANK UNIT		1	
32	532140527	FUEL CAP		1	
33	532123487	HOSE CLAMP		1	
34	532106082	SPACER		1	
37	532142158	FULE LINE		1	
39	532109227	PAD		1	
40	532124952	BUSHING		1	
41	532139277	NIPPLE		1	
81	532128861	NUT		1	
101	532163305	NUT FLANGE M8-1.25 NON-		1	

REF.	PART NO.	DESCRIPTION	REMARK	QTY.	KIT
1	532144927	BATTERY		1	
2	532171017	BOLT		1	
8	532124886	BATTERIE TRAY		1	
11	532150109	HOLDER		1	
12	532145769	NUT		1	
16	532153664	SWITCH		1	
21	532166181	CABLE ASSY		1	
22	532004152	BULB		1	
24	532124780	CABLE		1	
25	532146148	CABLE		1	
26	532166180	FUSE		1	
27	532171018	NUT		1	
28	532145491	CABLE		1	
29	532160784	SWITCH		1	
30	532163968	IGNITION SWITCH		1	
33	532140401	KEY		1	
40	532170221	FAISCEAU*RPL.PAR 532179724		1	
42	532131563	COVER		1	
43	532145673	SOLENOID		1	
45	532122822	METER		1	
46	532169635	HOURMETER		1	
50	532169417	BRAKER		1	
51	532140405	FRAME		1	
80	532146685	CABLE ASSY		1	
81	532109748	RELAY		1	
89	532169639	BRACKET		1	

REPAIR PARTS

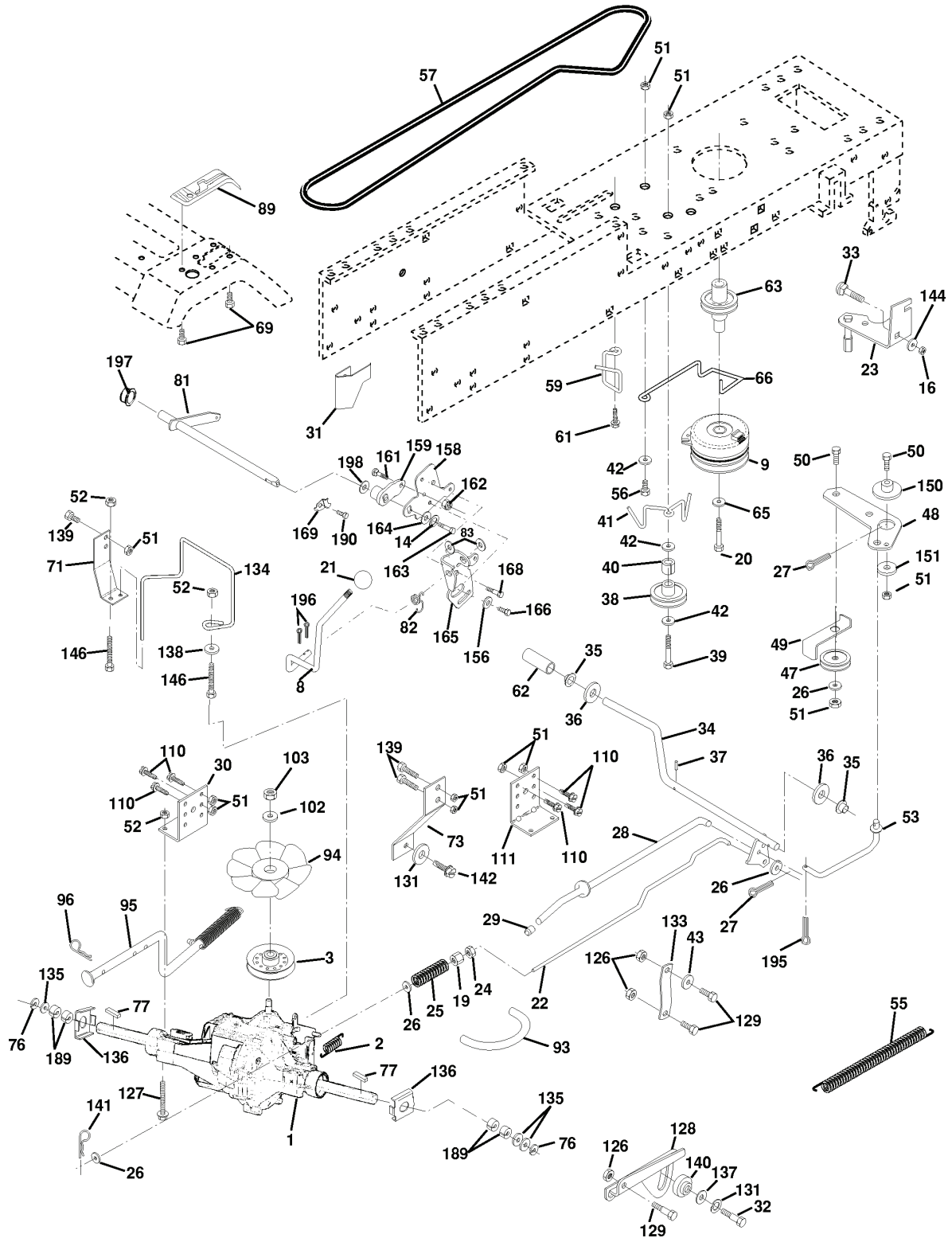
TRACTOR - MODEL NO. GTVH205 (954140102A), PRODUCT NO. 954 1401-02
MOWER LIFT



REF.	PART NO.	DESCRIPTION	REMARK	QTY.	KIT
1	532121006	ROD		1	
2	532159188	SHAFT		1	
7	532125631	HANDLE		1	
8	532124526	KNOB		1	
9	532122364	PLUNGER,		1	
10	532124874	SPRING		1	
11	532145537	LIFT LINK		1	
12	532145536	LIFT LINK		1	
13	532124670	RETAINER RING		1	
14	532159189	ARM		1	
15	532167253	LINK		1	
17	532130171	BRACKET		1	
19	532139868	LEVER		1	
23	532110807	NUT		1	
25	532124874	SPRING		1	
29	532138057	KNOB		1	
31	532140302	BEARING		1	
32	873540600	NUT		1	
36	532155097	INDICATOR		1	
37	532123935	PLUG		1	
39	532142992	STOP		1	
41	532123934	INDICATOR		1	
46	812000022	RETAINER RING		1	
50	532110452	NUT		1	

REPAIR PARTS

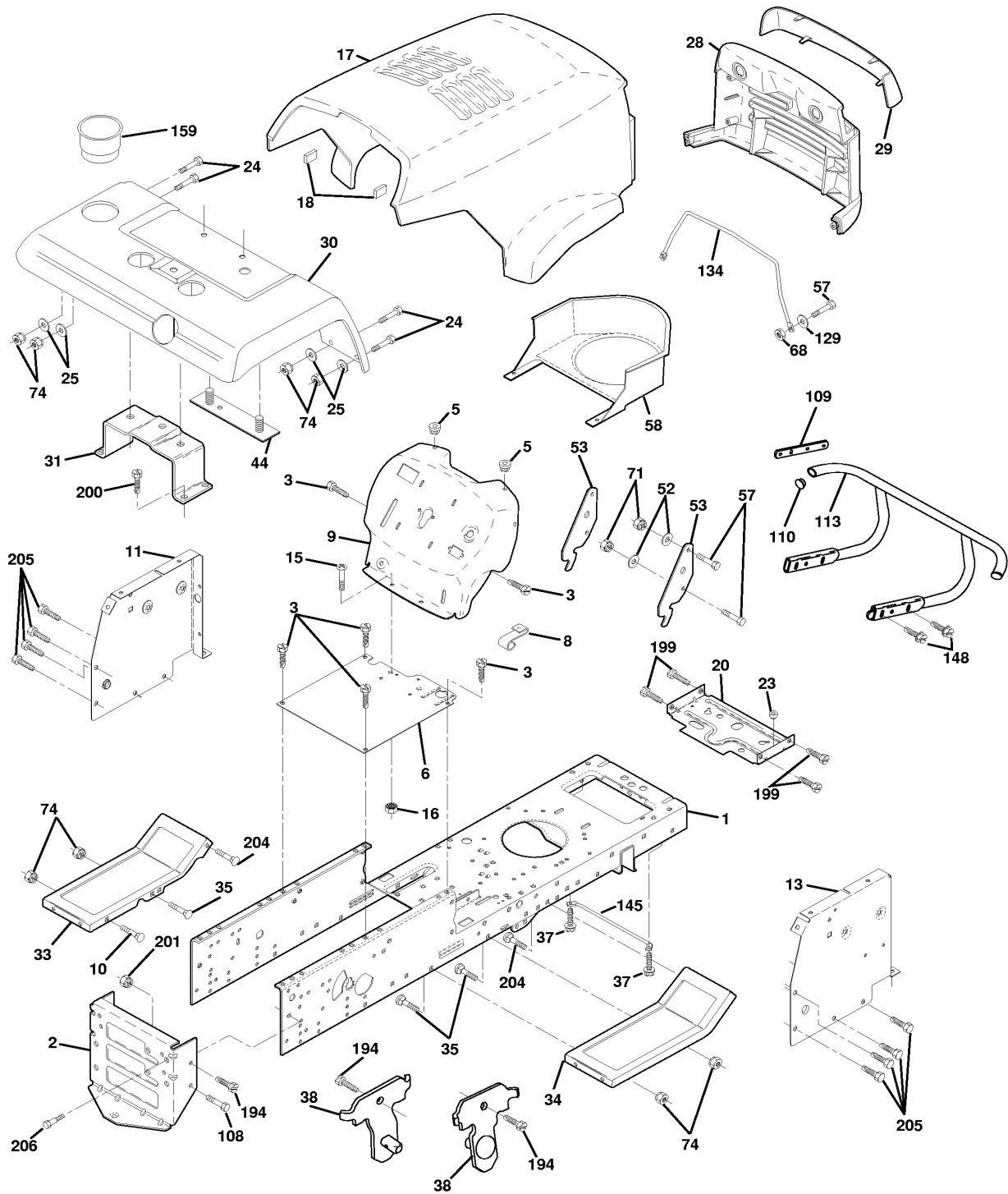
TRACTOR - MODEL NO. GTVH205 (954140102A), PRODUCT NO. 954 14 01-02
DRIVE



REF.	PART NO.	DESCRIPTION	REMARK	QTY.	KIT
2	532142431	SPRING		1	
3	532143995	PULLEY		1	
8	532166020	LEVER		1	
9	532160889	CLUTCH		1	
21	532140845	KNOB		1	
23	532171258	BRACKET		1	
29	532071673	COVER		1	
30	532123780	BRACKET		1	
31	532123791	HOLDER		1	
34	532155071	SHAFT		1	
35	532120183	BEARING		1	
37	532124963	PIN RETAINING SCREW		1	
38	532131494	PULLEY		1	
40	532124965	SPACER		1	
41	532165838	TENSIONER		1	
47	532127783	PULLEY		1	
48	532154407	GUIDE		1	
49	532123205	BELT GUIDE		1	
52	532171026	NUT		1	
53	532105710	LINK		1	
55	532105709	SPRING		1	
57	532161741	BELT		1	
59	532140312	BELT GUIDE		1	
62	532124872	PEDAL RUBBER		1	
63	532161400	PULLEY		1	
66	532161488	TENSIONER		1	
69	532142432	SCREW		1	
71	532158283	SUPPORT		1	
73	532158282	SUPPORT		1	
76	812000053	E-CLIP		1	
81	532165598	SHAFT		1	
82	532123782	TORSION SPRING		1	
93	532142564	HODE		1	
94	532140462	FAN		1	
95	532158508	LEVER		1	
102	532141322	WASHER		1	
111	532123776	BRACKET		1	
128	532158284	SUPPORT		1	
133	532165926	TIGE D'ASSEMBLAGE	165926	1	
134	532158278	BELT GUIDE		1	
135	532123800	WASHER		1	
136	532163168	WASHER		1	
140	532004475	DOUILLE	4475J	1	
141	532159197	GOUILLE BETA	159197	1	
150	532165850	BUSHING		1	
158	532165589	BRACKET		1	
159	532165494	LEVER		1	
165	532165623	BRACKET		1	
166	532166880	SCREW		1	
169	532165581	RETAINER		1	
197	532169613	SLEEVE		1	
198	532169593	WASHER		1	

REPAIR PARTS

TRACTOR - MODEL NO. GTVH205 (954140102A), PRODUCT NO. 954 1401-02
CHASIS AND ENCLOSURES

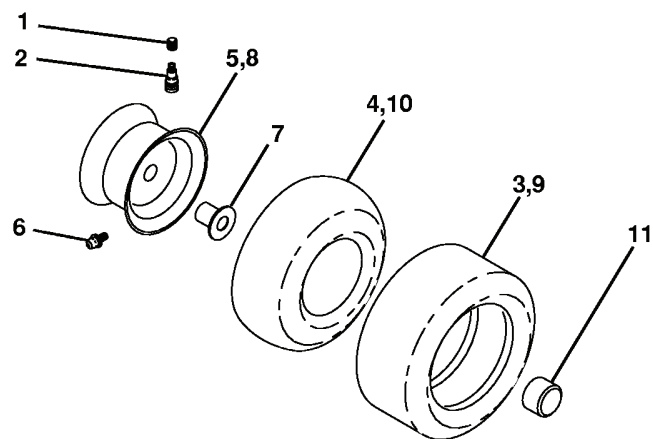


REF.	PART NO.	DESCRIPTION	REMARK	QTY.	KIT
1	532169831	CHASSIS		1	
2	532169061	PLATE		1	
5	532155272	DAMPER		1	
6	532155923	PLATE		1	
8	532126471	CLIP		1	
17	532165378	HOOD		1	
18	532126938	DAMPER		1	
20	532156437	PLATE		1	
23	532124028	BUSHING		1	
24	532171031	BOLT		1	
26	873800600	NUT		1	
28	532165379	GRILL		1	
29	532165380	LENS		1	
31	532137113	BRACKET		1	
33	532147203	SUPPORT		1	
34	532147202	SUPPORT		1	
38	532169834	BRACKET		1	
44	532140675	STRAP		1	
52	532171224	OPERATORS MANUAL		1	
53	532150067	BRACKET		1	
58	532151171	DUCT		1	
68	532171018	NUT		1	
109	532170310	SUPPORT PARE-CHOCS 170310		1	
110	532143679	PLUG		1	
113	532170311	PARE-CHOCS 170311		1	
129	532171225	OPERATORS MANUAL		1	
134	532160219	ROD		1	
145	532156524	SHAFT		1	

REPAIR PARTS

TRACTOR - MODEL NO. GTVH205 (954140102A), PRODUCT NO. 954 14 01-02

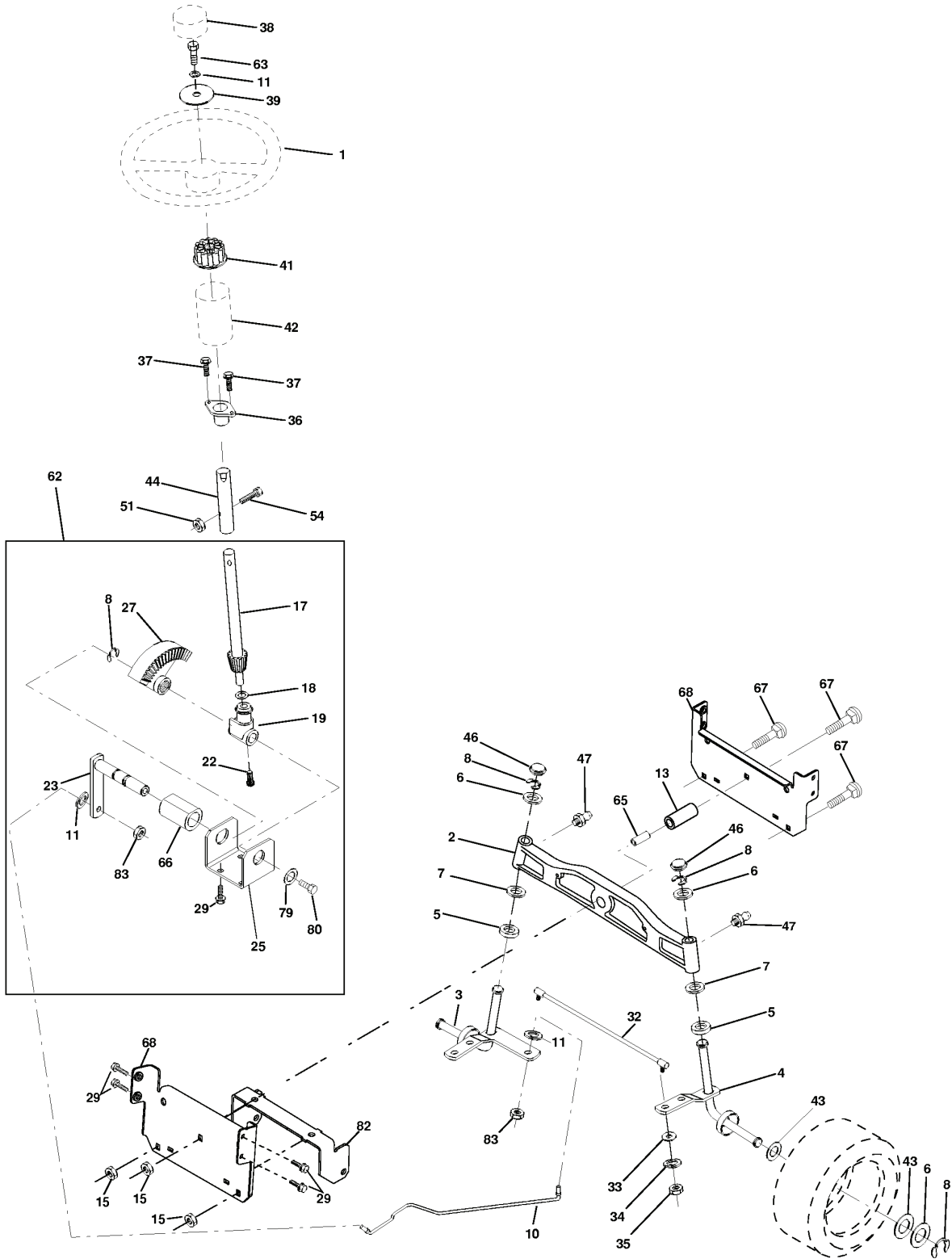
WHEELS & TIRES



REF.	PART NO.	DESCRIPTION	REMARK	QTY.	KIT
1	532059192	CAP VALVE		1	
2	532065139	NIPPLE		1	
3	532106222	TIRE		1	
4	532059904	HOSE		1	
5	532138336	RIM		1	
6	532124957	FITTING		1	
7	532124959	BEARING		1	
8	532164127	RIM		1	
10	532007154	HOSE		1	
11	532104757	HUB CAP		1	
--	532144334	SEALING FOAM		1	

REPAIR PARTS

TRACTOR - MODEL NO. GTVH205 (954140102A), PRODUCT NO. 954 14 01-02
STEERING ASSEMBLY



REF.	PART NO.	DESCRIPTION	REMARK	QTY.	KIT
1	532166627	STEERING WHEEL		1	
2	532165854	SHAFT		1	
3	532169840	SPINDLE		1	
4	532169839	SPINDLE		1	
5	532124931	WASHER		1	
6	532171039	WASHER		1	
8	812000029	RETAINER RING		1	
10	532169832	ROD		1	
11	532171029	WASHER		1	
12	873940800	NUT		1	
13	532136518	PIPE		1	
17	532156546	SHAFT		1	
18	532057079	WASHER		1	
19	532160395	SUPPORT		1	
23	532165851	LINK		1	
25	532154406	BRACKET		1	
27	532136874	ECCENTRIC DISC		1	
32	532139929	ROD		1	
36	532155099	BUSHING		1	
38	532166626	INSERT		1	
41	532159945	ADAPTER		1	
42	532169634	SLEEVE		1	
43	532171038	WASHER		1	
44	532171024	EXTENTION STEERING		1	
46	532121232	HUB CAP		1	
47	532124836	NIPPLE		1	
51	532171026	NUT		1	
54	532171025	BOLT		1	
62	532167902	GUIDE.CPL		1	
63	532171031	BOLT		1	
65	532160367	SPACER		1	
66	532154404	BUSHING		1	
68	532169827	SHAFT		1	
82	532169835	BRACKET		1	