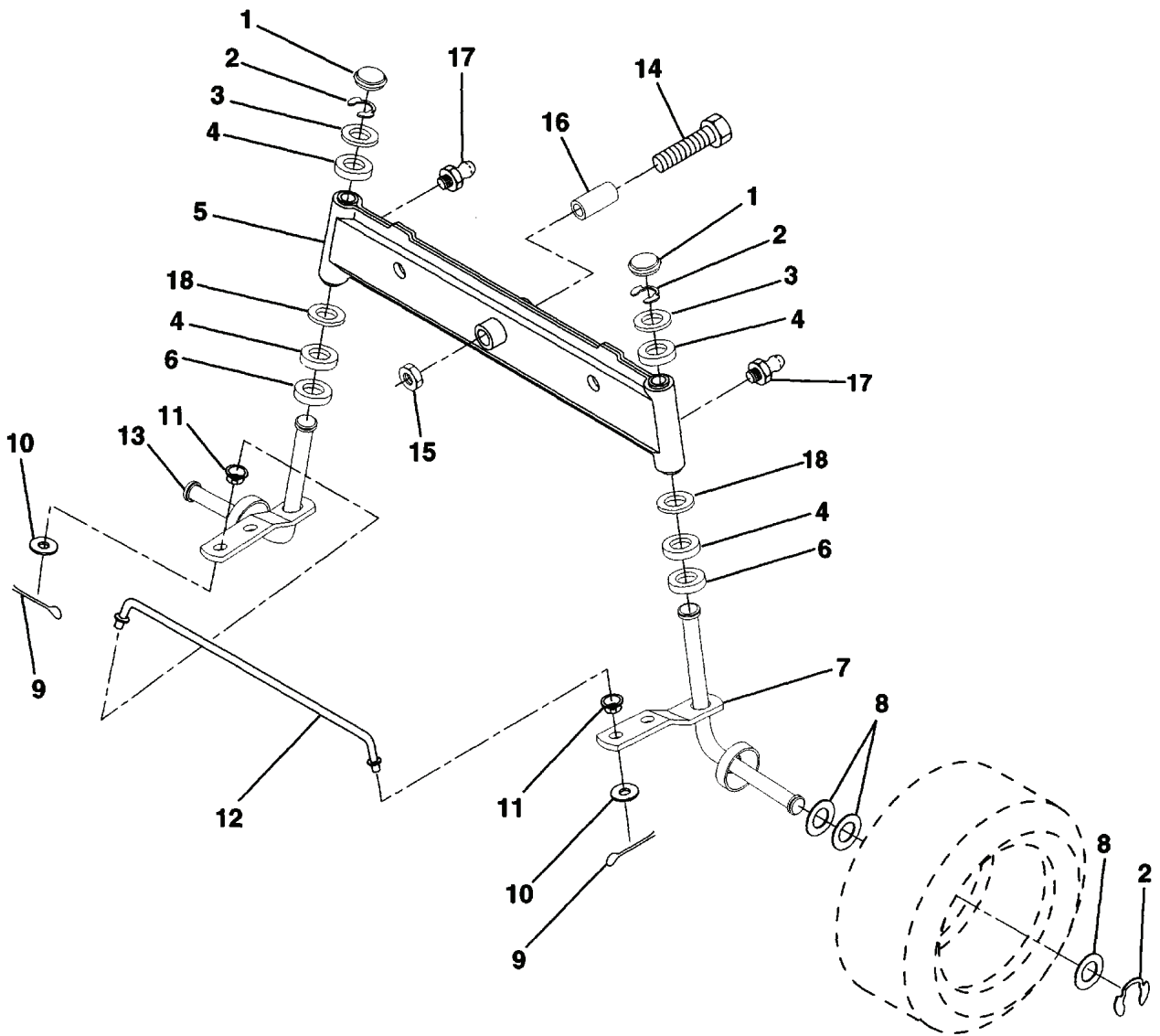


LT120, 1995-03

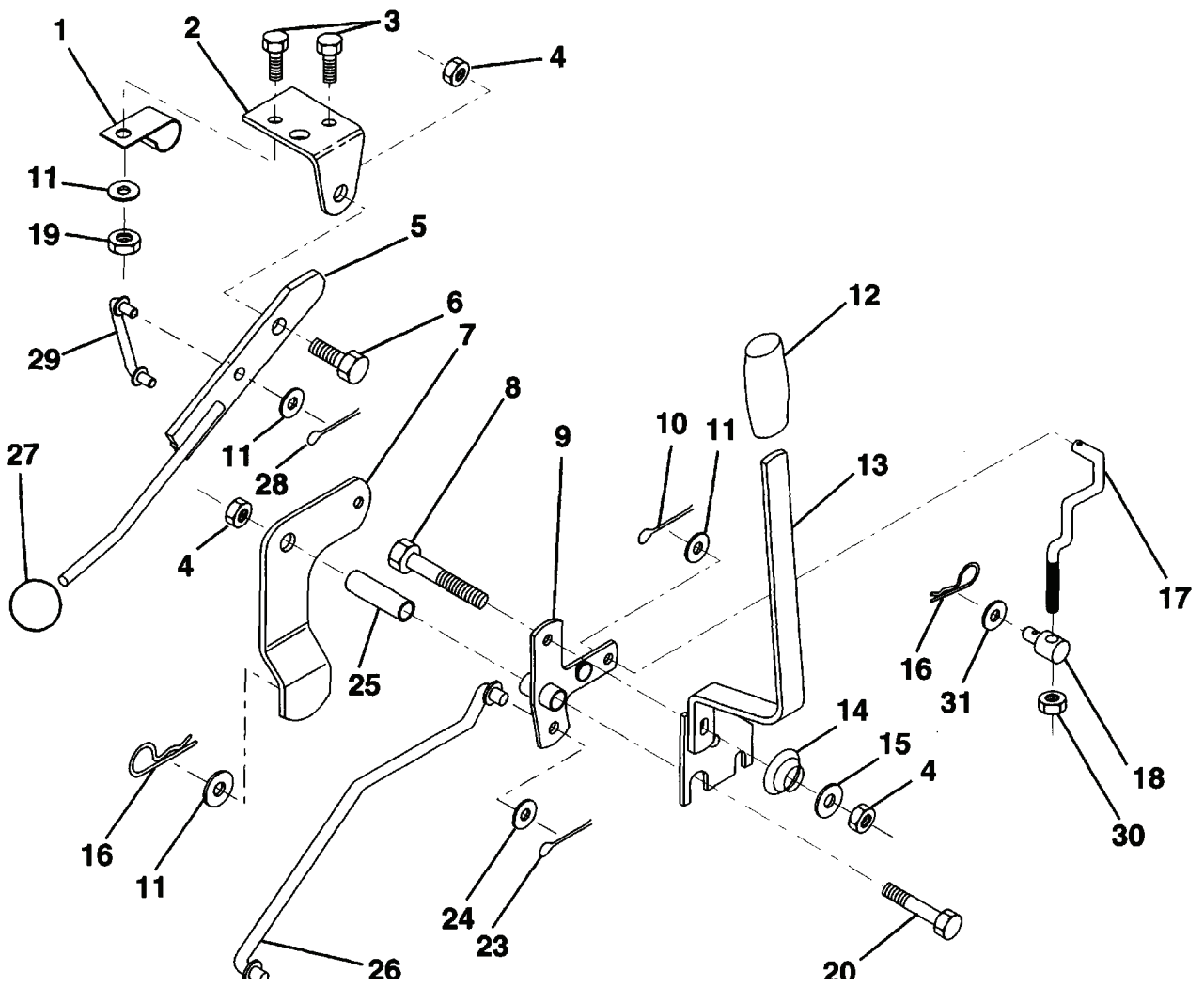
SPARE PARTS LIST

H



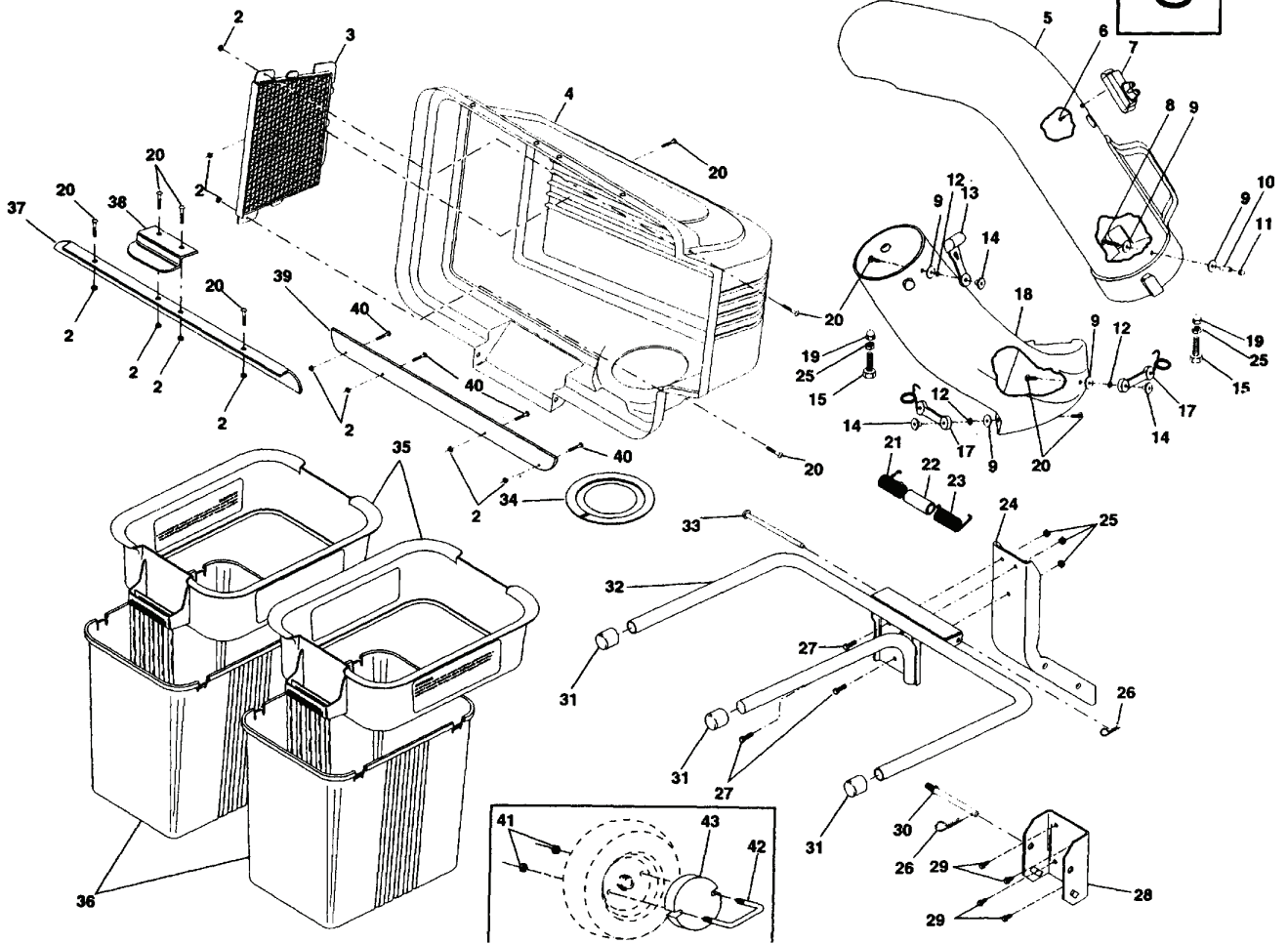
| REF. | PART NO. | DESCRIPTION | REMARK | QTY. | KIT |
|------|-----------|--------------------|--------|------|-----|
| 1 | 532121232 | HUB CAP | | 1 | |
| 2 | 812000029 | RETAINER RING | | 1 | |
| 3 | 532121748 | WASHER | | 1 | |
| 4 | 532124937 | BEARING COL. STRG. | | 1 | |
| 5 | 532142033 | AXLE | | 1 | |
| 6 | 532124931 | WASHER | | 1 | |
| 7 | 532137062 | SPINDLE | | 1 | |
| 8 | 532121749 | WASHER | | 1 | |
| 9 | 876020412 | SPLIT PIN | | 1 | |
| 10 | 819131316 | WASHER | | 1 | |
| 11 | 532126847 | BUSHING | | 1 | |
| 12 | 532130465 | ROD | | 1 | |
| 13 | 532137061 | SPINDLE | | 1 | |
| 14 | 874011056 | BOLT | | 1 | |
| 15 | 873901000 | NUT | | 1 | |
| 16 | 532110438 | SPACER | | 1 | |
| 17 | 532124836 | NIPPLE | | 1 | |
| 18 | 819272016 | WASHER | | 1 | |

O



| REF. | PART NO. | DESCRIPTION | REMARK | QTY. | KIT |
|------|-----------|-------------|--------|------|-----|
| 1 | 532126470 | CLIP | | 1 | |
| 2 | 532122018 | HOLDER | | 1 | |
| 3 | 874780408 | BOLT | | 1 | |
| 4 | 873680600 | NUT | | 1 | |
| 5 | 532145187 | CONTROL | | 1 | |
| 6 | 532106451 | BOLT | | 1 | |
| 7 | 532135371 | LEVER | | 1 | |
| 8 | 874760636 | BOLT | | 1 | |
| 9 | 532121930 | LINK | | 1 | |
| 10 | 876020412 | SPLIT PIN | | 1 | |
| 11 | 819131316 | WASHER | | 1 | |
| 12 | 532122027 | KNOB | | 1 | |
| 12 | 532131861 | HANDLE | | 1 | |
| 13 | 532139352 | LIFT HANDLE | | 1 | |
| 14 | 532123496 | SPRING | | 1 | |
| 15 | 819131212 | WASHER | | 1 | |
| 16 | 532124961 | CLIP | | 1 | |
| 17 | 532127359 | LINK | | 1 | |
| 18 | 532142028 | BRACKET | | 1 | |
| 19 | 873680400 | NUT | | 1 | |
| 20 | 874760644 | BOLT | | 1 | |
| 23 | 876020416 | SPLIT PIN | | 1 | |
| 24 | 819171612 | WASHER | | 1 | |
| 25 | 532121933 | SPACER | | 1 | |
| 26 | 532141470 | ROD | | 1 | |
| 27 | 532121466 | KNOB | | 1 | |
| 27 | 532106932 | KNOB | | 1 | |
| 28 | 876020312 | SPLIT PIN | | 1 | |
| 29 | 532131655 | LINK | | 1 | |
| 30 | 873350600 | NUT | | 1 | |
| 31 | 819132012 | WASHER | | 1 | |

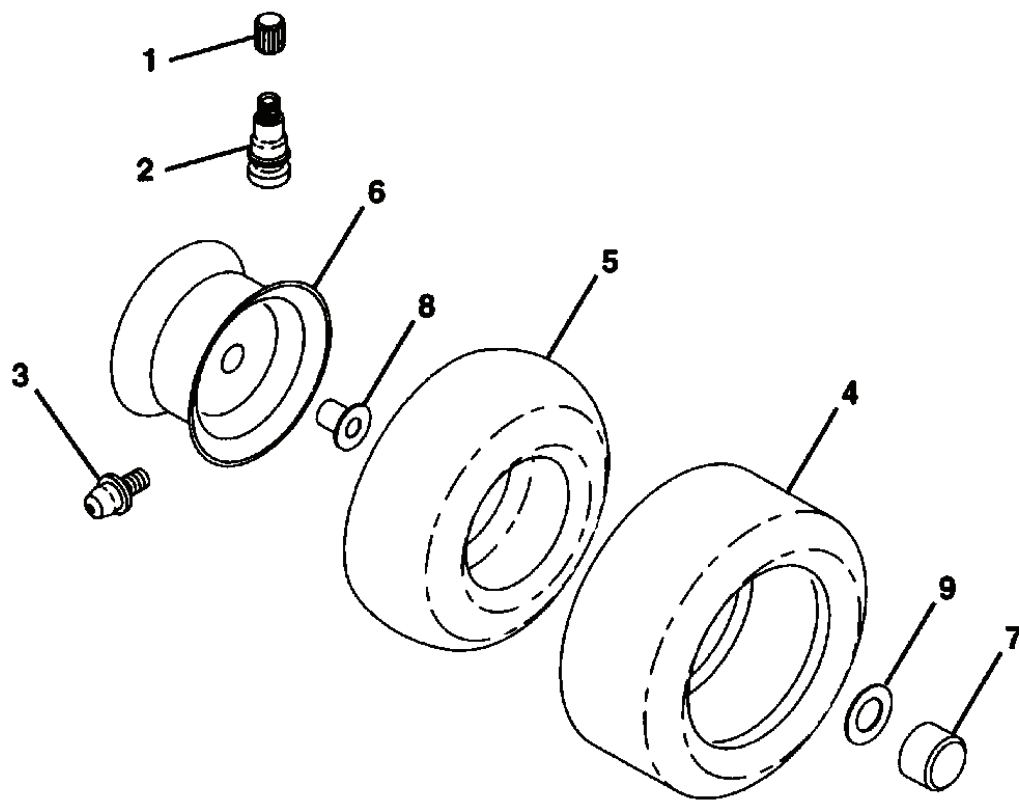
S



| REF. | PART NO. | DESCRIPTION | REMARK | QTY. | KIT |
|------|-----------|---------------------|--------|------|-----|
| 2 | 532069180 | NUT | | 1 | |
| 3 | 532127533 | GRILL | | 1 | |
| 4 | 532140654 | COVER | | 1 | |
| 5 | 532128598 | CHUTE | | 1 | |
| 6 | 818021008 | SCREW | | 1 | |
| 7 | 532140572 | INDICATOR | | 1 | |
| 8 | 532087175 | SCREW | | 1 | |
| 9 | 734114601 | WASHER | | 1 | |
| 10 | 532007206 | SPACER | | 1 | |
| 11 | 532060867 | ACORN NUT | | 1 | |
| 12 | 810071000 | WASHER | | 1 | |
| 13 | 532109808 | LATCH | | 1 | |
| 14 | 532125004 | NUT | | 1 | |
| 15 | 874930516 | SCREW | | 1 | |
| 17 | 532130758 | LATCH | | 1 | |
| 18 | 532128599 | CHUTE | | 1 | |
| 19 | 532133841 | ACORN NUT | | 1 | |
| 20 | 874291010 | SCREW | | 1 | |
| 21 | 532132796 | SPRING | | 1 | |
| 22 | 532133235 | SPACER | | 1 | |
| 23 | 532132983 | SPRING | | 1 | |
| 24 | 532127720 | BRACKET | | 1 | |
| 25 | 873220500 | NUT | | 1 | |
| 26 | 532124670 | RETAINER RING | | 1 | |
| 27 | 874760512 | BOLT | | 1 | |
| 28 | 532130889 | HOLDER | | 1 | |
| 29 | 817490508 | SCREW | | 1 | |
| 30 | 532131137 | PIN RETAINING SCREW | | 1 | |
| 31 | 532134496 | COVER | | 1 | |
| 32 | 532126919 | FRAME | | 1 | |
| 33 | 532128600 | LOCKING PIN | | 1 | |
| 34 | 532127534 | GASKET | | 1 | |
| 35 | 532129585 | TOP | | 1 | |
| 36 | 532129586 | BOTTOM | | 1 | |
| 36 | 532132431 | CONTAINER | | 1 | |
| 37 | 532132256 | SEALING LIST | | 1 | |
| 38 | 532130895 | LATCH | | 1 | |
| 39 | 532135495 | SEALING LIST | | 1 | |
| 40 | 874191008 | SCREW | | 1 | |
| 41 | 873800600 | NUT | | 1 | |
| 42 | 532137031 | U-BOLT | | 1 | |
| 43 | 532123635 | BLADE | | 1 | |

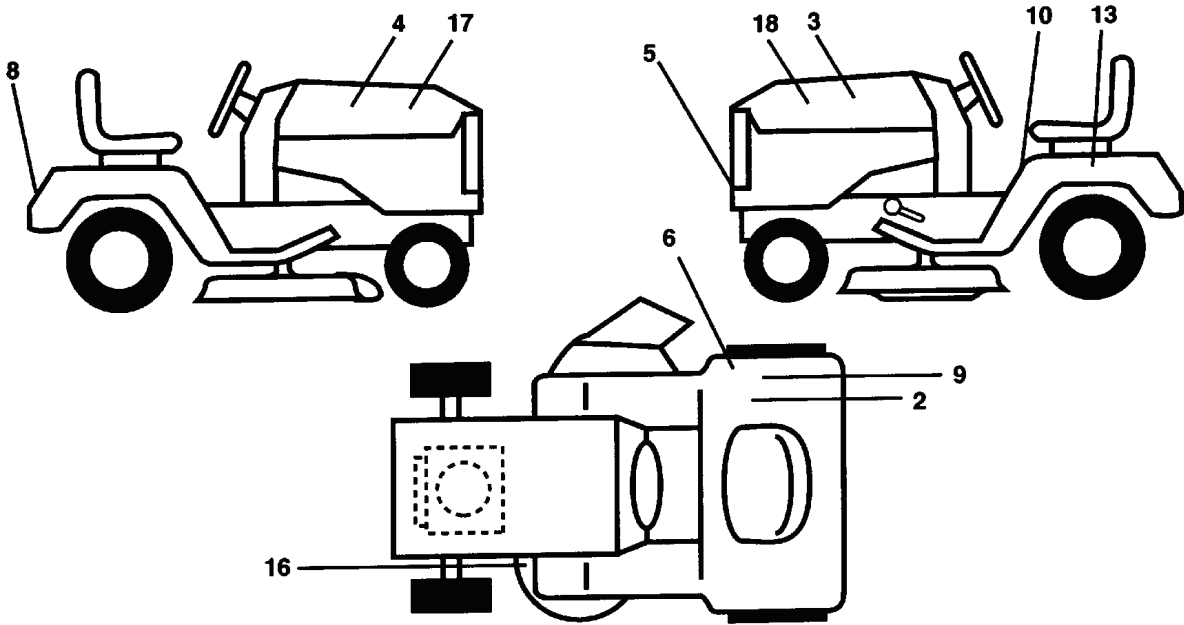
WHEELS & TIRES

R



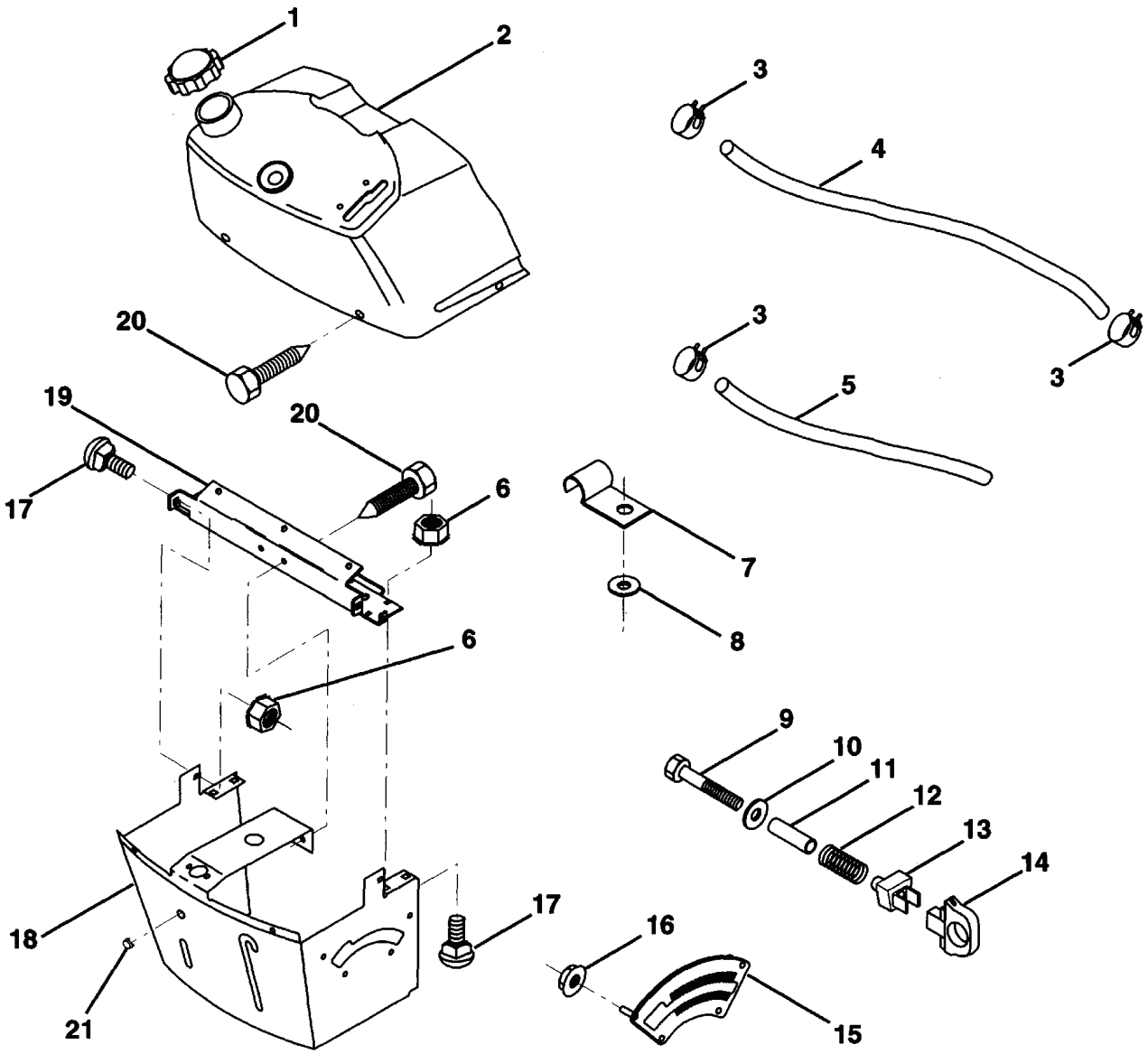
| REF. | PART NO. | DESCRIPTION | REMARK | QTY. | KIT |
|------|-----------|--------------|--------|------|-----|
| 1 | 532059192 | CAP VALVE | | 1 | |
| 2 | 532065139 | NIPPLE | | 1 | |
| 3 | 532124957 | FITTING | | 1 | |
| 4 | 532123410 | TIRE | | 1 | |
| 4 | 532106230 | TIRE | | 1 | |
| 4 | 532137422 | TIRE | | 1 | |
| 4 | 532132703 | TIRE | | 1 | |
| 5 | 532059904 | HOSE | | 1 | |
| 5 | 532008134 | HOSE | | 1 | |
| 6 | 532140298 | RIM SPROCKET | | 1 | |
| 6 | 532140453 | RIM SPROCKET | | 1 | |
| 7 | 532104757 | HUB CAP | | 1 | |
| 8 | 532124959 | BEARING | | 1 | |
| 9 | 532121748 | WASHER | | 1 | |

R



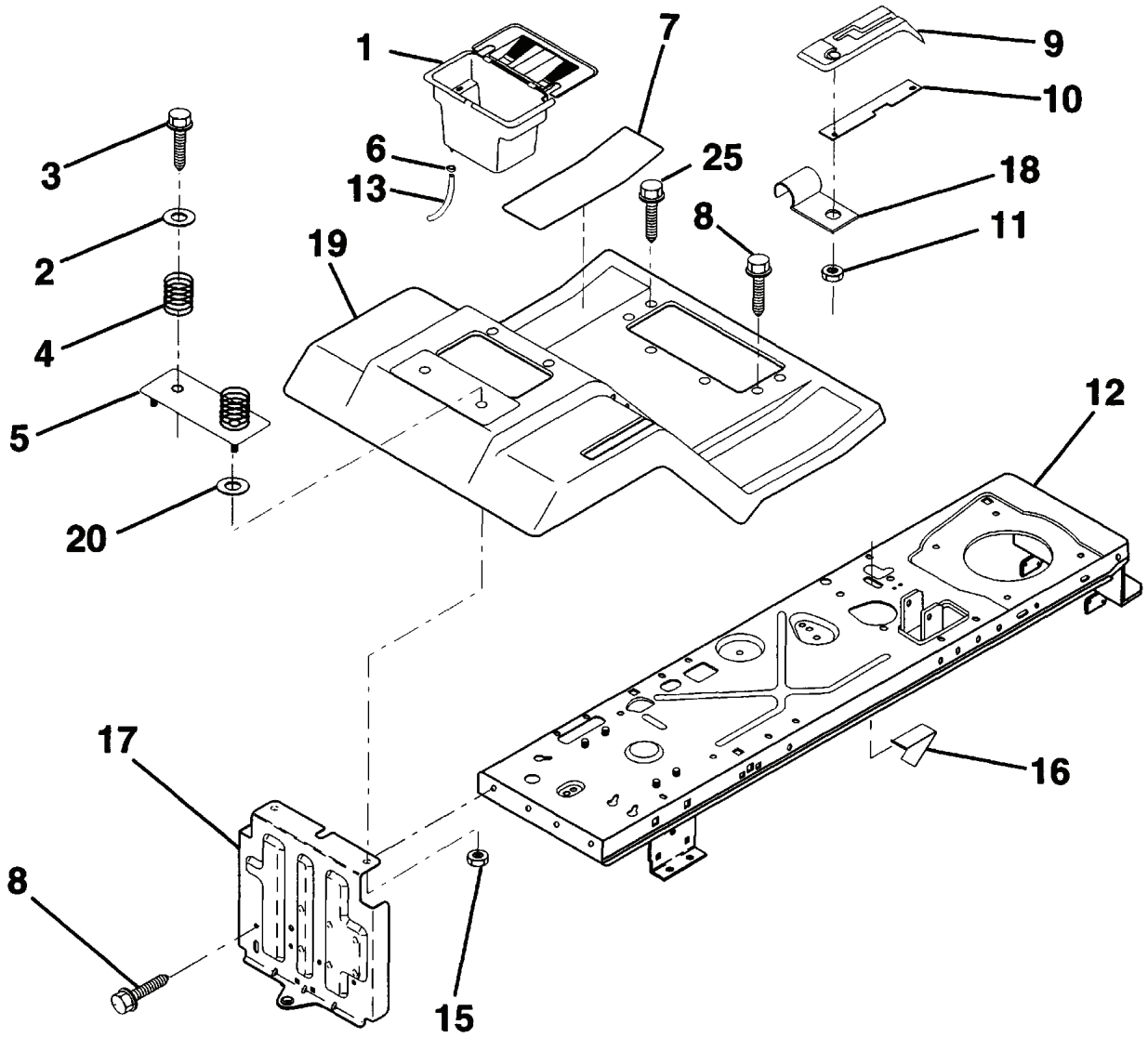
| REF. | PART NO. | DESCRIPTION | REMARK | QTY. | KIT |
|------------------|-----------|-------------|--------|------|-----|
| 2 | 532126187 | DECAL | | 1 | |
| 3 | 532140206 | DECAL | | 1 | |
| 4 | 532140205 | DECAL | | 1 | |
| 532 14 02- 13 | 532140213 | DECAL | | 1 | |
| 8 | 532131582 | DECAL | | 1 | |
| 16 | 532136830 | DECAL | | 1 | |
| 17 | 532140199 | DECAL | | 1 | |
| 18 | 532140200 | DECAL | | 1 | |

D



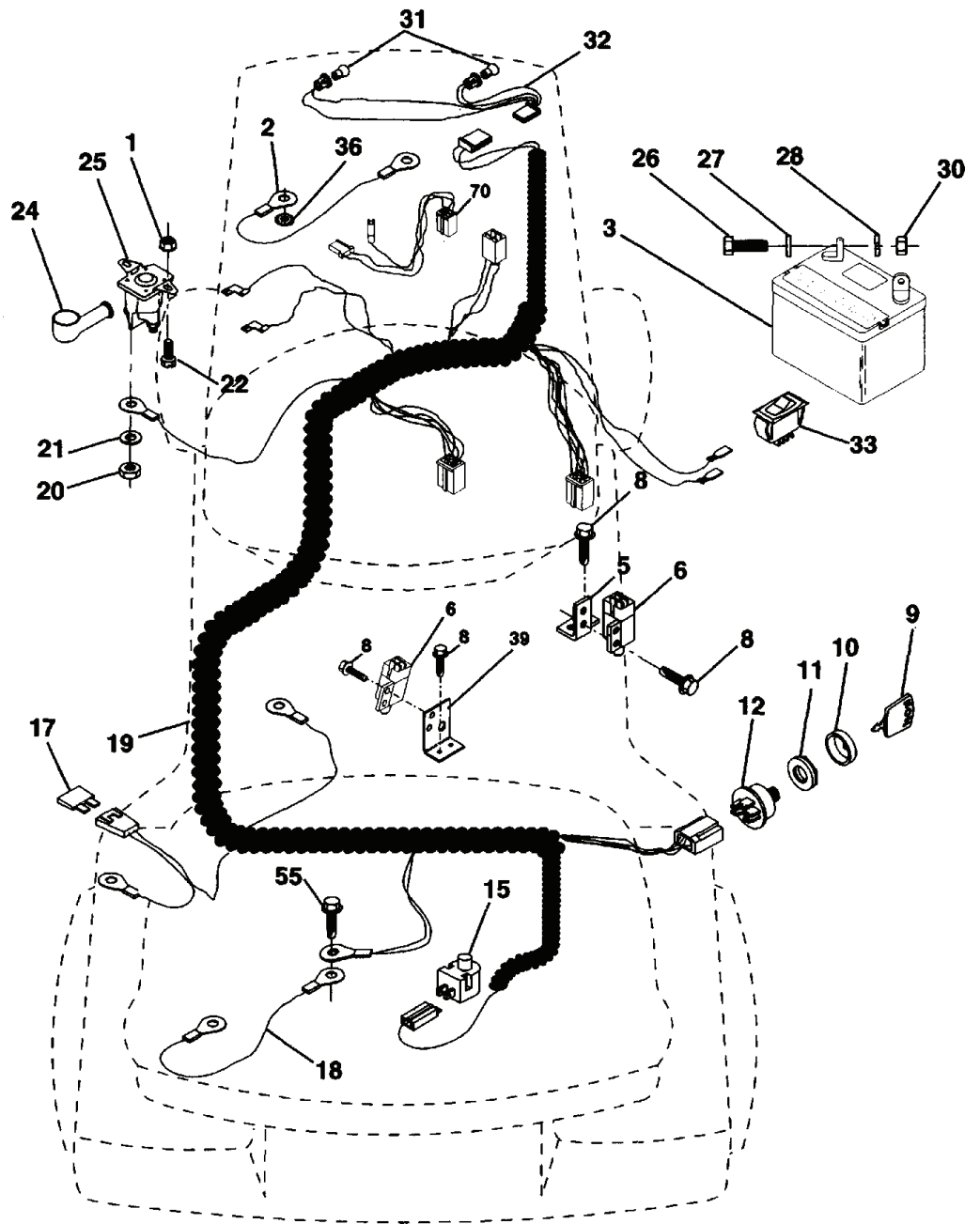
| REF. | PART NO. | DESCRIPTION | REMARK | QTY. | KIT |
|------|-----------|--------------------|--------|------|-----|
| 1 | 532142187 | TANK CAP | | 1 | |
| 2 | 532138395 | TANK UNIT | | 1 | |
| 3 | 532123487 | HOSE CLAMP | | 1 | |
| 4 | 532008544 | LINE FUEL LT 10/36 | | 1 | |
| 5 | 532008548 | HOSE | | 1 | |
| 6 | 873510400 | NUT | | 1 | |
| 7 | 532124996 | CLIP | | 1 | |
| 8 | 819091216 | WASHER | | 1 | |
| 9 | 874760428 | BOLT | | 1 | |
| 10 | 819091413 | WASHER | | 1 | |
| 11 | 532121249 | SPACER | | 1 | |
| 12 | 532003720 | SPRING | | 1 | |
| 13 | 532126450 | CLIP | | 1 | |
| 14 | 532126115 | KNOB | | 1 | |
| 15 | 532122023 | SEGMENT | | 1 | |
| 16 | 532124346 | NUT | | 1 | |
| 17 | 872110404 | BOLT | | 1 | |
| 18 | 532130745 | BRACKET | | 1 | |
| 19 | 532134744 | CROSS BRACE | | 1 | |
| 20 | 817060408 | SCREW | | 1 | |
| 21 | 532134014 | PLUG | | 1 | |

B



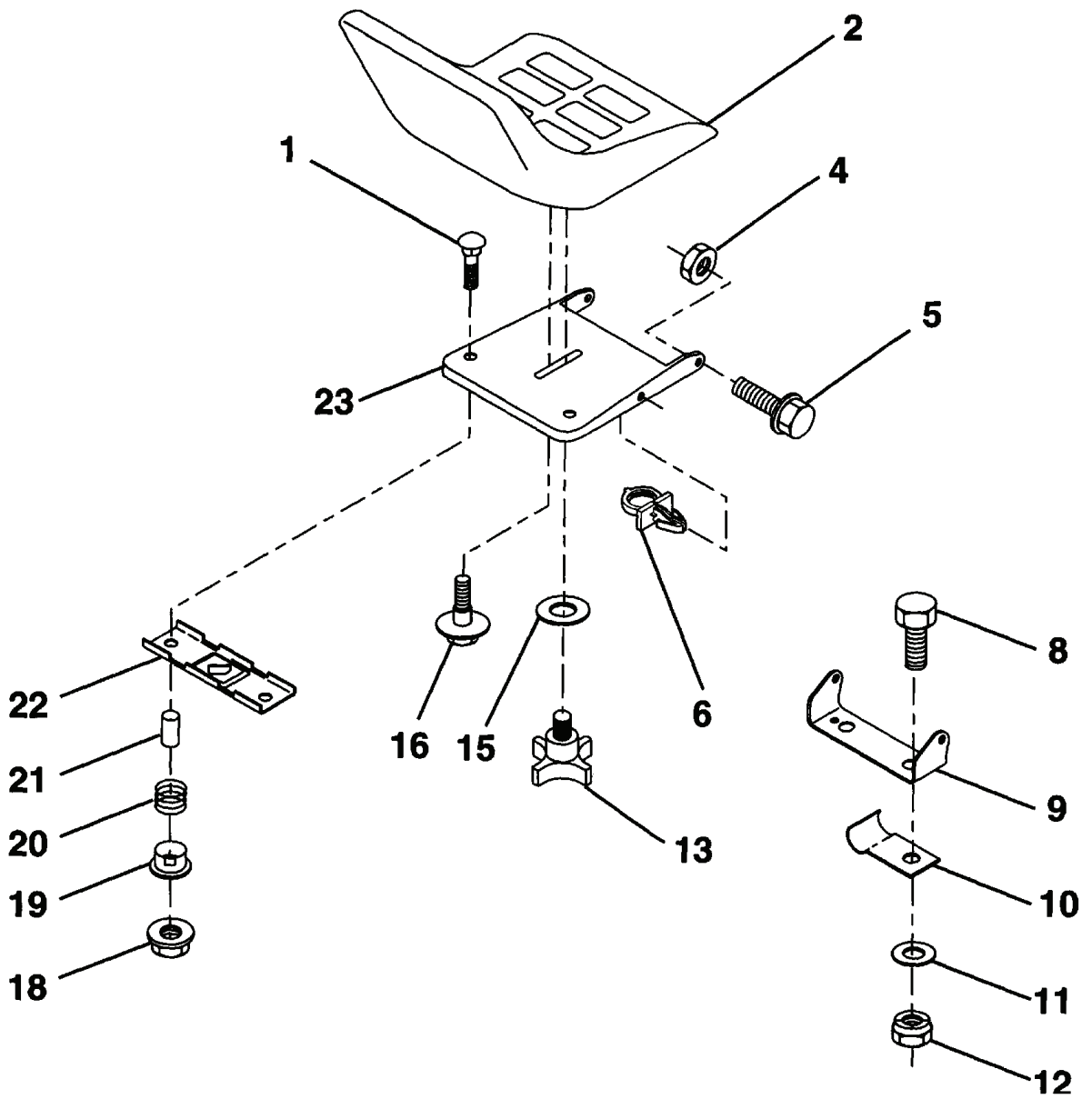
| REF. | PART NO. | DESCRIPTION | REMARK | QTY. | KIT |
|------|-----------|-------------|--------|------|-----|
| 1 | 532129965 | CASE | | 1 | |
| 2 | 819132012 | WASHER | | 1 | |
| 3 | 817490612 | SCREW | | 1 | |
| 4 | 532124181 | SPRING | | 1 | |
| 5 | 532125142 | PLATE | | 1 | |
| 6 | 532109596 | CLAMP | | 1 | |
| 7 | 532126700 | MAT | | 1 | |
| 8 | 817490512 | SCREW | | 1 | |
| 9 | 532126995 | BRACKET | | 1 | |
| 10 | 532139783 | BAR | | 1 | |
| 11 | 532124346 | NUT | | 1 | |
| 12 | 532145190 | FRAME | | 1 | |
| 13 | 532109238 | HOSE | | 1 | |
| 15 | 873680500 | NUT | | 1 | |
| 16 | 532141736 | SWITCH | | 1 | |
| 17 | 532140782 | DRAWBAR | | 1 | |
| 18 | 532126470 | CLIP | | 1 | |
| 19 | 532141393 | COVER | | 1 | |
| 20 | 819091413 | WASHER | | 1 | |
| 25 | 817490516 | SCREW | | 1 | |

P



| REF. | PART NO. | DESCRIPTION | REMARK | QTY. | KIT |
|------|-----------|-------------|--------|------|-----|
| 1 | 873640400 | NUT | | 1 | |
| 2 | 532108423 | CABLE ASSY | | 1 | |
| 3 | 532144924 | BATTERY | | 1 | |
| 5 | 532108236 | BRACKET | | 1 | |
| 6 | 532109553 | SWITCH | | 1 | |
| 8 | 817021008 | SCREW | | 1 | |
| 9 | 532140401 | KEY | | 1 | |
| 10 | 532141226 | COVER | | 1 | |
| 11 | 532140400 | NUT | | 1 | |
| 12 | 532144921 | SWITCH | | 1 | |
| 15 | 532121305 | SWITCH | | 1 | |
| 17 | 532108824 | FUSE | | 1 | |
| 18 | 532128353 | CABLE ASSY | | 1 | |
| 19 | 532146064 | HARNESS | | 1 | |
| 19 | 532146063 | HARNESS | | 1 | |
| 20 | 873350400 | NUT | | 1 | |
| 21 | 810090400 | WASHER | | 1 | |
| 22 | 874780408 | BOLT | | 1 | |
| 24 | 532131563 | COVER | | 1 | |
| 25 | 532145673 | SOLENOID | | 1 | |
| 26 | 874760412 | BOLT | | 1 | |
| 27 | 819091016 | WASHER | | 1 | |
| 28 | 810040400 | WASHER | | 1 | |
| 30 | 873220400 | NUT | | 1 | |
| 31 | 532004152 | BULB | | 1 | |
| 32 | 532142881 | HARNESS | | 1 | |
| 33 | 532110712 | SWITCH | | 1 | |
| 36 | 810040400 | WASHER | | 1 | |
| 39 | 532141735 | BRACKET | | 1 | |
| 55 | 817490508 | SCREW | | 1 | |
| 70 | 532140413 | HARNESS | | 1 | |

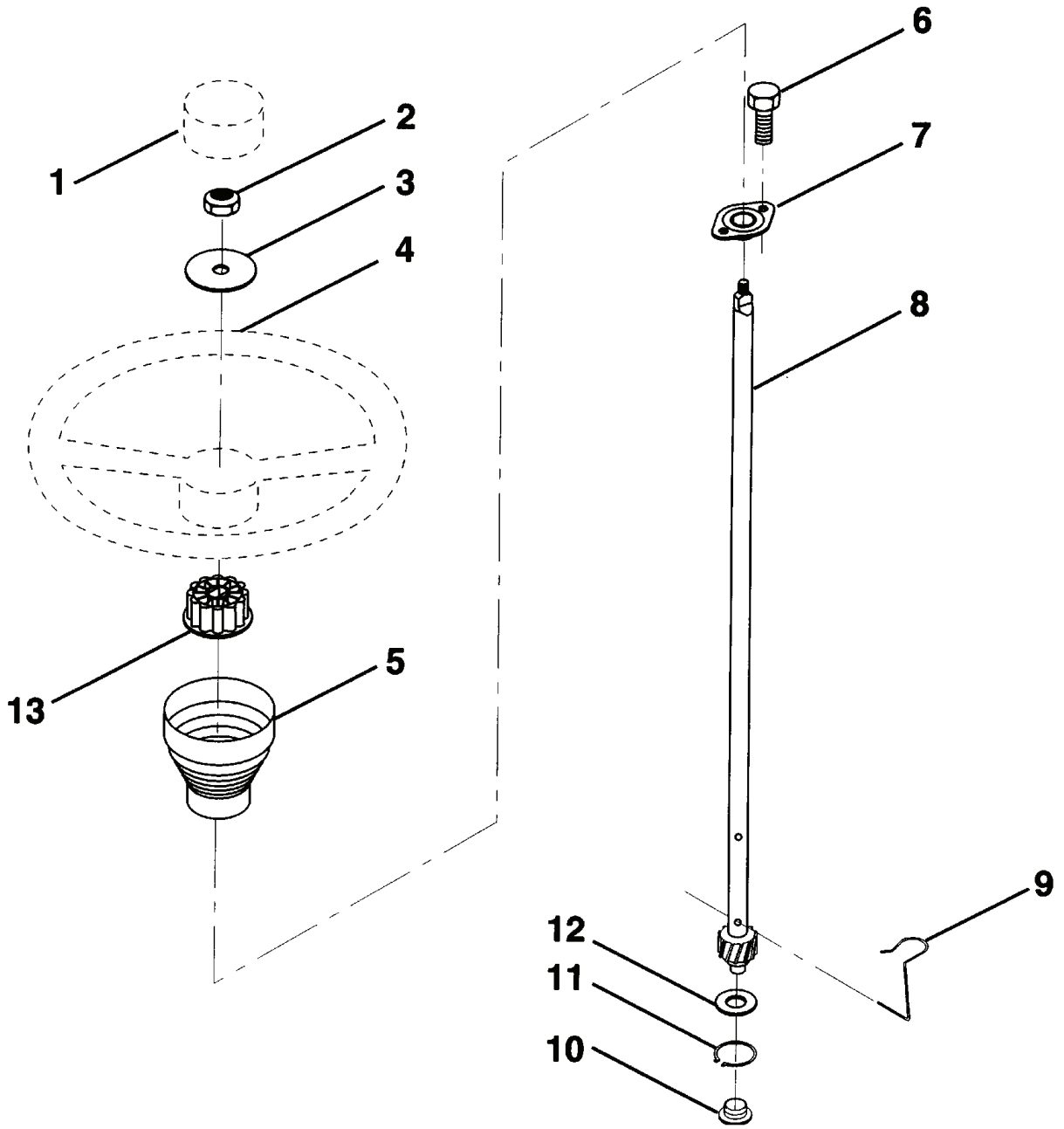
C



| REF. | PART NO. | DESCRIPTION | REMARK | QTY. | KIT |
|------|-----------|-------------|--------|------|-----|
| 1 | 872050411 | BOLT | | 1 | |
| 2 | 532127398 | SEAT | | 1 | |
| 4 | 873800500 | LOCK NUT | | 1 | |
| 5 | 532139888 | BOLT | | 1 | |
| 6 | 532145006 | CLIP | | 1 | |
| 8 | 874760616 | BOLT | | 1 | |
| 9 | 532140551 | BRACKET | | 1 | |
| 10 | 532126471 | CLIP | | 1 | |
| 11 | 819133210 | WASHER | | 1 | |
| 12 | 873800600 | NUT | | 1 | |
| 13 | 532120068 | KNOB | | 1 | |
| 15 | 819171912 | WASHER | | 1 | |
| 16 | 532127018 | BOLT | | 1 | |
| 18 | 532123976 | LOCKNUT | | 1 | |
| 19 | 532121248 | BUSHING | | 1 | |
| 20 | 532121250 | SPRING | | 1 | |
| 21 | 532134300 | SPACER | | 1 | |
| 22 | 532121246 | BRACKET | | 1 | |
| 23 | 532140552 | BRACKET | | 1 | |

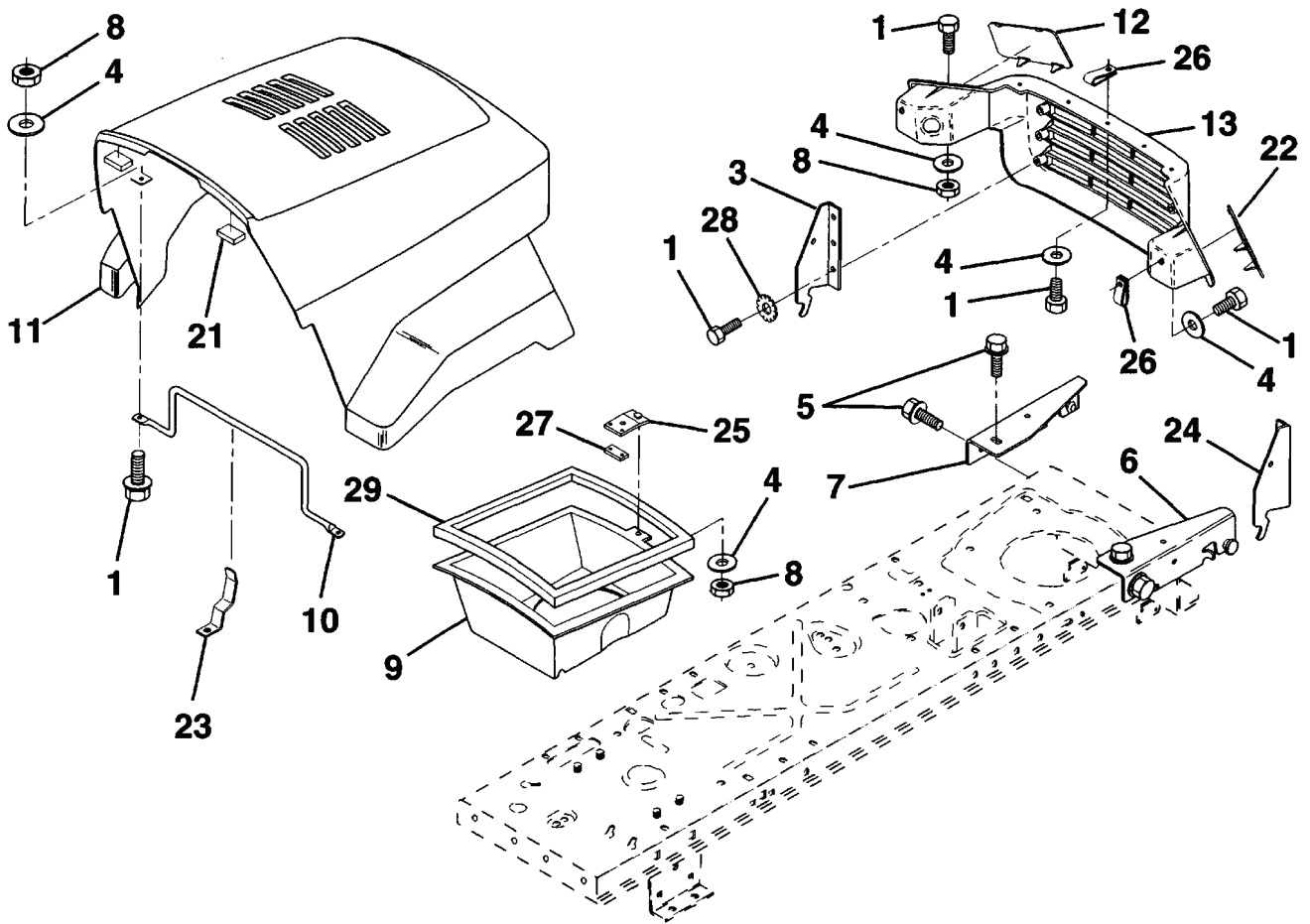
| REF. | PART NO. | DESCRIPTION | REMARK | QTY. | KIT |
|------|-----------|--------------------|--------|------|-----|
| 1 | 817060408 | SCREW | | 1 | |
| 2 | 532133025 | THROTTLE TRIGGER | | 1 | |
| 4 | 871070512 | BOLT | | 1 | |
| 5 | 810040500 | WASHER | | 1 | |
| 6 | 532125593 | GASKET | | 1 | |
| 7 | 811050600 | WASHER | | 1 | |
| 9 | 819101216 | WASHER | | 1 | |
| 10 | 810040400 | WASHER | | 1 | |
| 11 | 874760412 | BOLT | | 1 | |
| 12 | 532137437 | MUFFLER | | 1 | |
| 13 | 532101326 | DEFLECTOR | | 1 | |
| 14 | 817030808 | SCREW | | 1 | |
| 15 | 532137180 | SPARK ARRESTER KIT | | 1 | |
| 16 | 532127951 | MOVEMENT LIMITER | | 1 | |
| 17 | 817490624 | SCREW | | 1 | |
| 18 | 873220600 | NUT | | 1 | |
| 19 | 532124996 | CLIP | | 1 | |
| 39 | 873510400 | NUT | | 1 | |

E



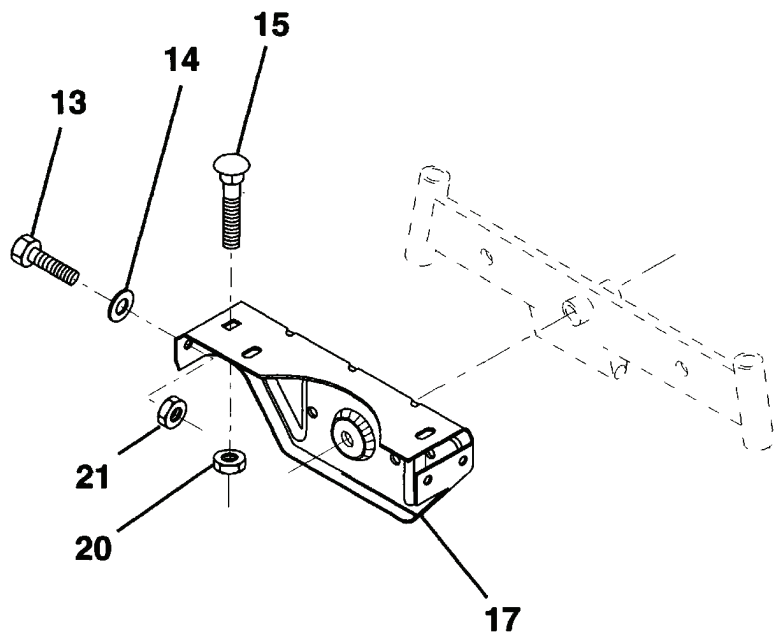
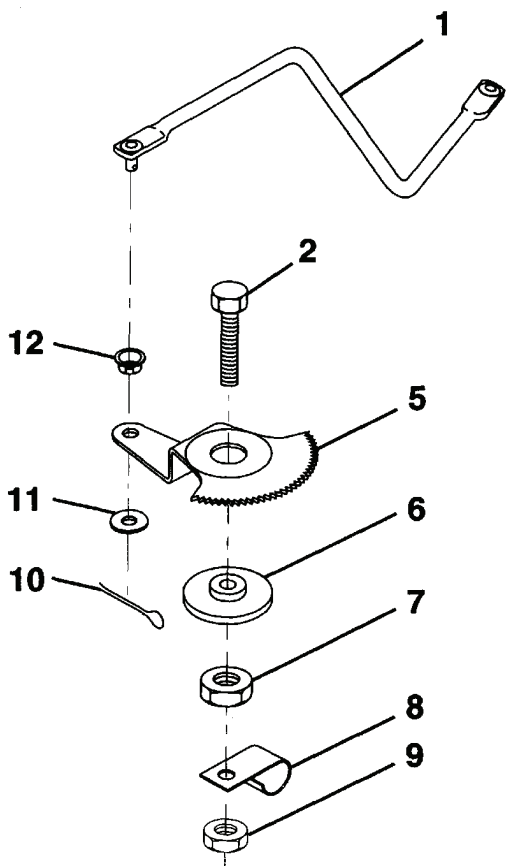
| REF. | PART NO. | DESCRIPTION | REMARK | QTY. | KIT |
|------|-----------|----------------|--------|------|-----|
| 1 | 532124416 | INSERT | | 1 | |
| 2 | 532124701 | NUT | | 1 | |
| 3 | 819133808 | WASHER | | 1 | |
| 4 | 532124415 | STEERING WHEEL | | 1 | |
| 5 | 532127396 | SLEEVE | | 1 | |
| 6 | 817431008 | SCREW | | 1 | |
| 7 | 532102803 | BUSHING | | 1 | |
| 8 | 532123651 | STEERING SHAFT | | 1 | |
| 9 | 532124210 | CLIP | | 1 | |
| 10 | 532123438 | BUSHING | | 1 | |
| 11 | 812000045 | RETAINER RING | | 1 | |
| 12 | 819211616 | WASHER | | 1 | |
| 13 | 532104820 | ADAPTER | | 1 | |

A



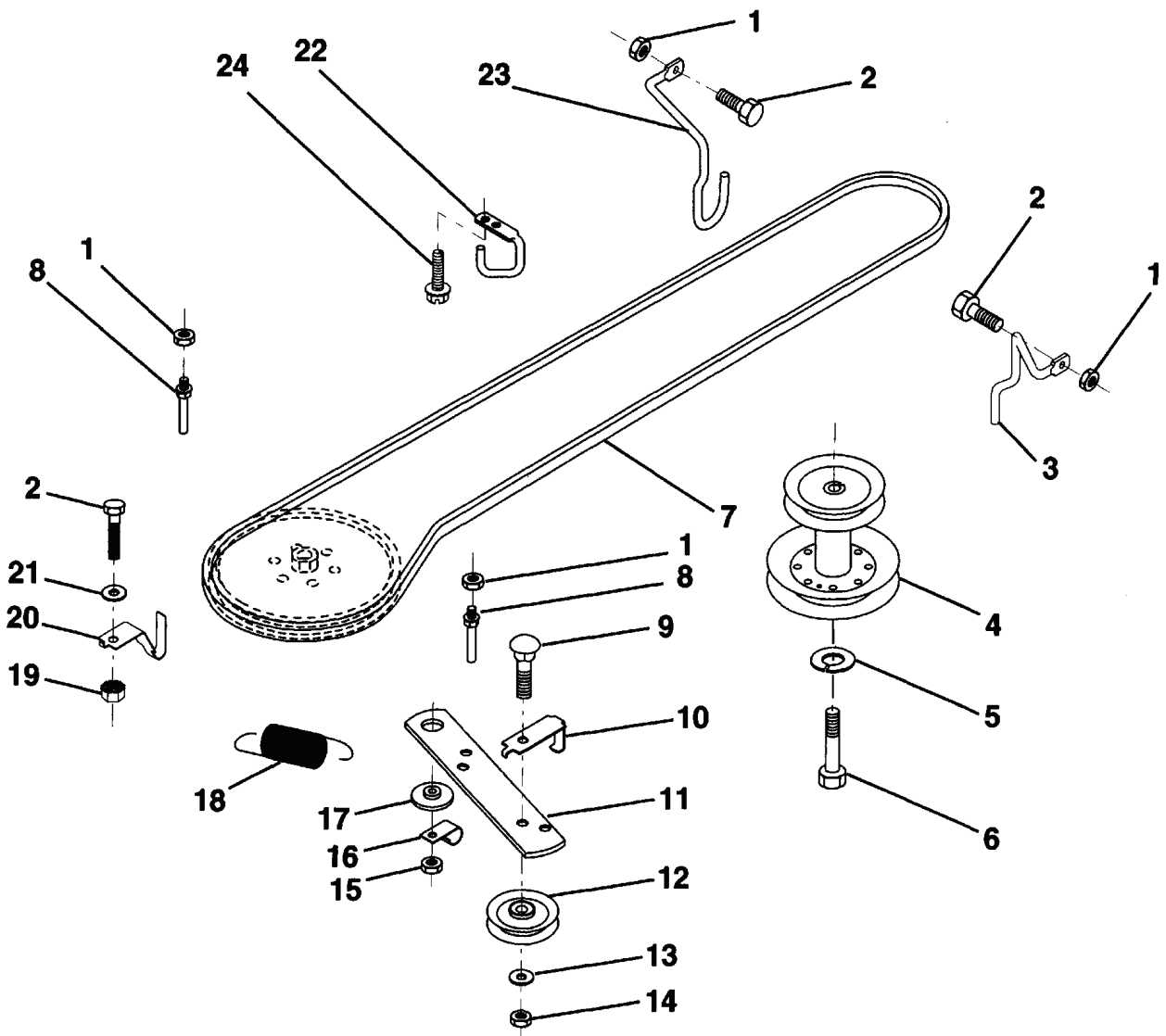
| REF. | PART NO. | DESCRIPTION | REMARK | QTY. | KIT |
|------|-----------|-------------|--------|------|-----|
| 1 | 874780410 | BOLT | | 1 | |
| 3 | 532128445 | BRACKET | | 1 | |
| 4 | 819091016 | WASHER | | 1 | |
| 5 | 817490512 | SCREW | | 1 | |
| 6 | 532140051 | BRACKET | | 1 | |
| 7 | 532140050 | BRACKET | | 1 | |
| 8 | 873680400 | NUT | | 1 | |
| 9 | 532123840 | AIR INTAKE | | 1 | |
| 10 | 532130850 | BRACE | | 1 | |
| 11 | 532140142 | HOOD | | 1 | |
| 12 | 532130986 | LENS | | 1 | |
| 13 | 532130984 | GRILL | | 1 | |
| 21 | 532126938 | DAMPER | | 1 | |
| 22 | 532130985 | LENS | | 1 | |
| 23 | 532139969 | LATCH | | 1 | |
| 24 | 532142873 | BRACKET | | 1 | |
| 25 | 532131037 | CLIP | | 1 | |
| 26 | 532052921 | CLIP | | 1 | |
| 27 | 532131028 | CLIP | | 1 | |
| 28 | 811050400 | WASHER | | 1 | |
| 29 | 532120537 | SEALING | | 1 | |

G



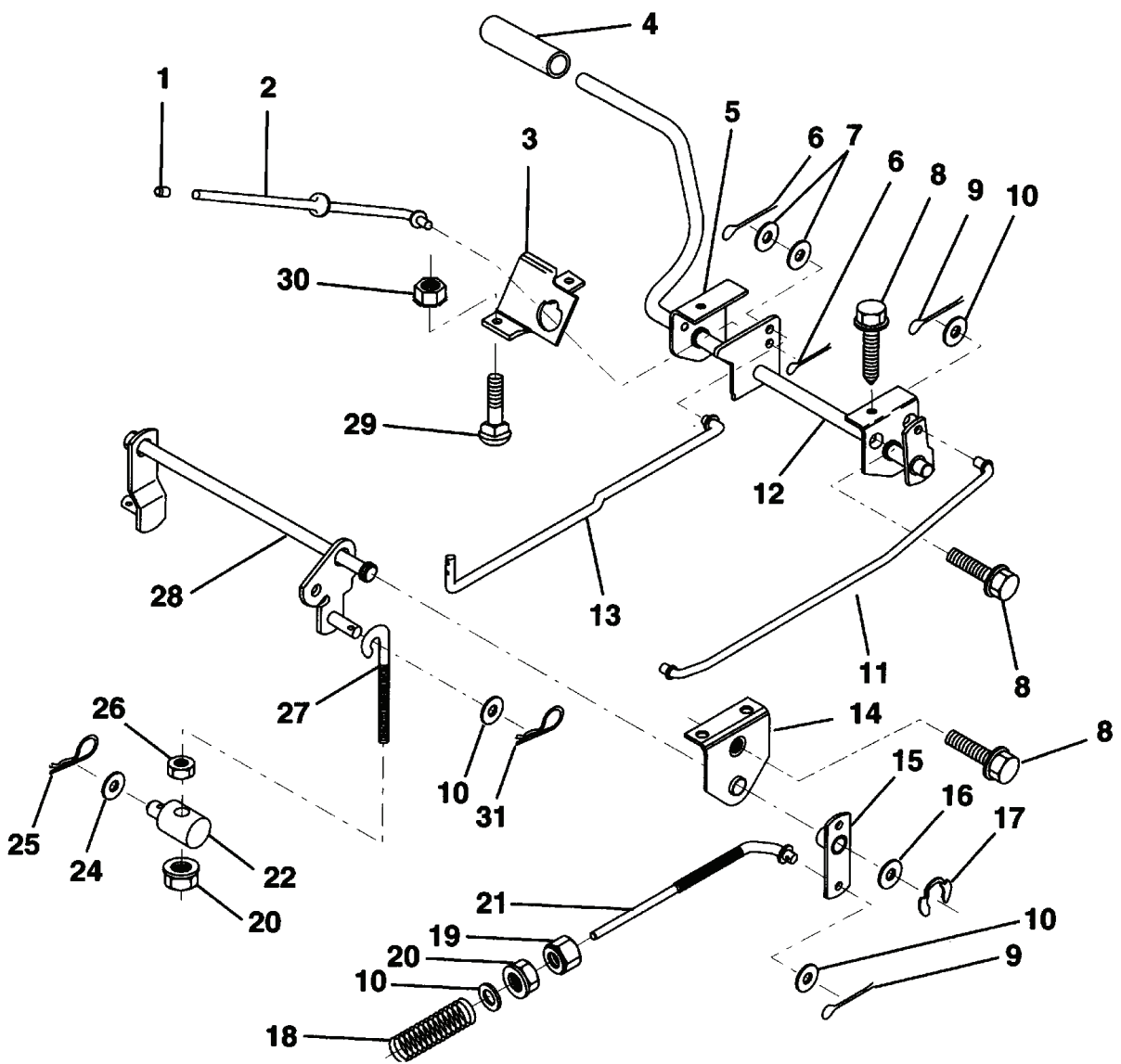
| REF. | PART NO. | DESCRIPTION | REMARK | QTY. | KIT |
|------|-----------|-------------|--------|------|-----|
| 1 | 532132566 | LINK | | 1 | |
| 2 | 874780828 | BOLT | | 1 | |
| 5 | 532121926 | GEAR RIM | | 1 | |
| 6 | 532121927 | BUSHING | | 1 | |
| 7 | 873030800 | NUT | | 1 | |
| 8 | 532126472 | CLIP | | 1 | |
| 9 | 873680800 | NUT | | 1 | |
| 10 | 876020412 | SPLIT PIN | | 1 | |
| 11 | 819131316 | WASHER | | 1 | |
| 12 | 532126847 | BUSHING | | 1 | |
| 13 | 874760512 | BOLT | | 1 | |
| 14 | 819111416 | WASHER | | 1 | |
| 15 | 872110606 | BOLT | | 1 | |
| 17 | 532137096 | SUPPORT | | 1 | |
| 20 | 873680600 | NUT | | 1 | |
| 21 | 873680500 | NUT | | 1 | |

K

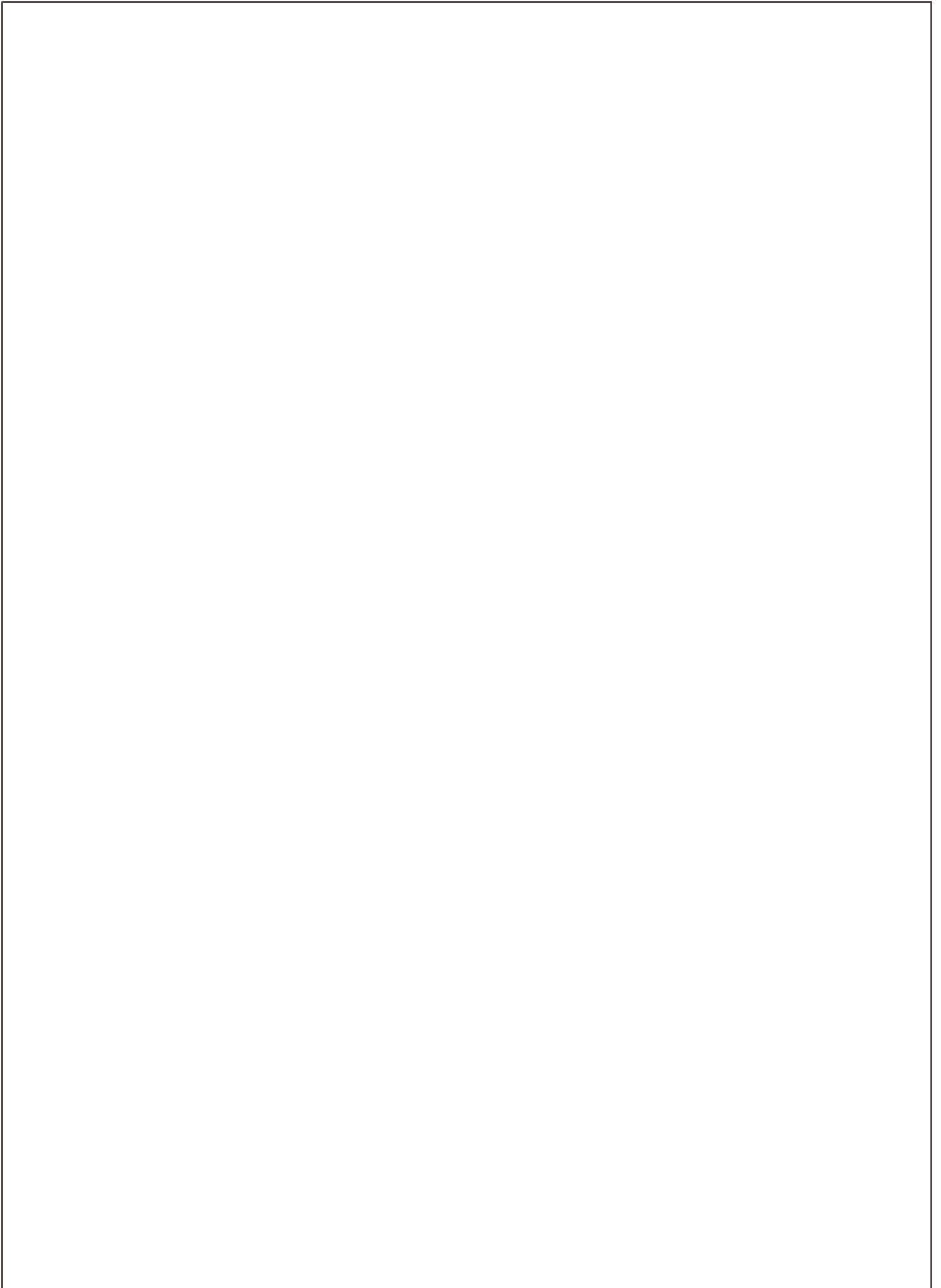


| REF. | PART NO. | DESCRIPTION | REMARK | QTY. | KIT |
|------|-----------|-------------|--------|------|-----|
| 1 | 873680500 | NUT | | 1 | |
| 2 | 874760512 | BOLT | | 1 | |
| 3 | 532141342 | KEEPER | | 1 | |
| 4 | 532138029 | PULLEY | | 1 | |
| 5 | 810040700 | WASHER | | 1 | |
| 6 | 871170744 | BOLT | | 1 | |
| 7 | 532126520 | BELT | | 1 | |
| 8 | 532123405 | BELT GUIDE | | 1 | |
| 9 | 872140612 | BOLT | | 1 | |
| 10 | 532123396 | BELT GUIDE | | 1 | |
| 11 | 532140911 | LEVER | | 1 | |
| 12 | 532123674 | PULLEY | | 1 | |
| 13 | 819131316 | WASHER | | 1 | |
| 14 | 873930600 | NUT | | 1 | |
| 15 | 873680600 | NUT | | 1 | |
| 16 | 532126471 | CLIP | | 1 | |
| 17 | 532122052 | SPACER | | 1 | |
| 18 | 532131459 | SPRING | | 1 | |
| 19 | 873510500 | NUT | | 1 | |
| 20 | 532139919 | KEEPER | | 1 | |
| 21 | 819111016 | WASHER | | 1 | |
| 22 | 532123404 | BELT GUIDE | | 1 | |
| 23 | 532140916 | BELT GUIDE | | 1 | |
| 24 | 817720408 | SCREW | | 1 | |

J

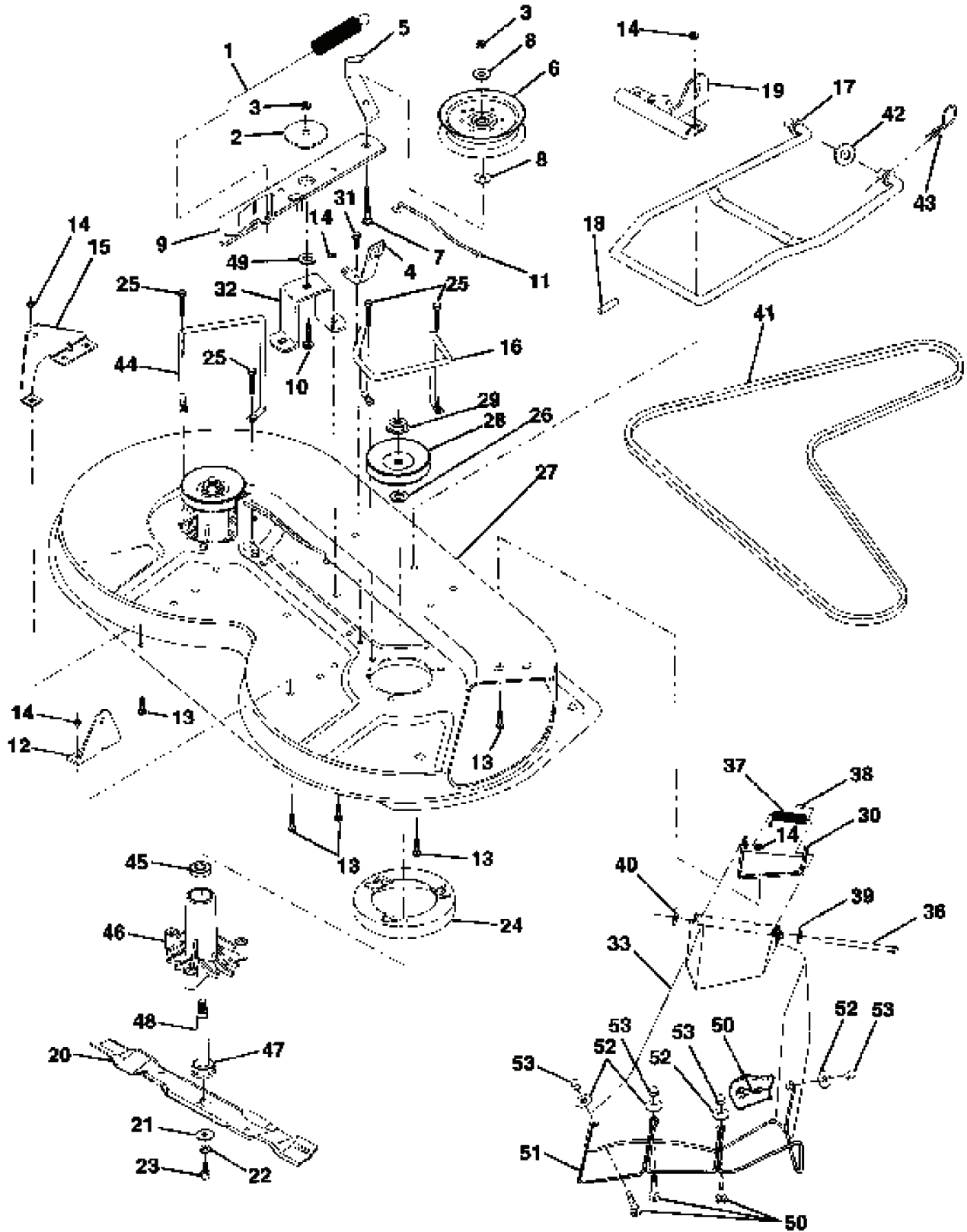


| REF. | PART NO. | DESCRIPTION | REMARK | QTY. | KIT |
|------|-----------|---------------|--------|------|-----|
| 1 | 532071673 | COVER | | 1 | |
| 2 | 532123436 | ROD | | 1 | |
| 3 | 532123437 | HOLDER | | 1 | |
| 4 | 532008156 | PEDAL RUBBER | | 1 | |
| 5 | 532122504 | HOLDER | | 1 | |
| 6 | 876020312 | SPLIT PIN | | 1 | |
| 7 | 819131016 | WASHER | | 1 | |
| 8 | 817490508 | SCREW | | 1 | |
| 9 | 876020412 | SPLIT PIN | | 1 | |
| 10 | 819131316 | WASHER | | 1 | |
| 11 | 532123543 | ROD | | 1 | |
| 12 | 532139933 | PEDAL CPL. | | 1 | |
| 13 | 532123394 | ROD | | 1 | |
| 14 | 532121978 | HOLDER | | 1 | |
| 15 | 532133332 | LEVER | | 1 | |
| 16 | 819251816 | WASHER | | 1 | |
| 17 | 812000034 | RETAINER RING | | 1 | |
| 18 | 532106888 | SPRING | | 1 | |
| 19 | 873350600 | NUT | | 1 | |
| 20 | 873680600 | NUT | | 1 | |
| 21 | 532131460 | ROD | | 1 | |
| 22 | 532144585 | BRACKET | | 1 | |
| 24 | 819132012 | WASHER | | 1 | |
| 25 | 532124961 | CLIP | | 1 | |
| 26 | 873930600 | NUT | | 1 | |
| 27 | 532127369 | LINK | | 1 | |
| 28 | 532140776 | SUPPORT, REAR | | 1 | |
| 29 | 872110506 | BOLT | | 1 | |
| 30 | 873510500 | NUT | | 1 | |
| 31 | 532124660 | CIRCLIP | | 1 | |



| REF. | PART NO. | DESCRIPTION | REMARK | QTY. | KIT |
|------|-----------|---------------|--------|------|-----|
| 1 | 532123385 | PULLEY | | 1 | |
| 2 | 812000028 | CLIP | | 1 | |
| 4 | 532125096 | WOODRUFF KEY | | 1 | |
| 5 | 873800500 | LOCK NUT | | 1 | |
| 6 | 872140506 | BOLT | | 1 | |
| 7 | 532123378 | HOLDER | | 1 | |
| 8 | 817490512 | SCREW | | 1 | |
| 9 | 532110422 | SPRING | | 1 | |
| 10 | 532121749 | WASHER | | 1 | |
| 11 | 532123583 | KEY | | 1 | |
| 12 | 874760540 | BOLT | | 1 | |
| 15 | 819171616 | WASHER | | 1 | |
| 16 | 532124600 | BRACKET | | 1 | |
| 17 | 532126293 | JOINT | | 1 | |
| 18 | 871040412 | BOLT | | 1 | |
| 19 | 810040400 | WASHER | | 1 | |
| 20 | 819091210 | WASHER | | 1 | |
| 21 | 532126292 | LEVER | | 1 | |
| 22 | 532105701 | WASHER | | 1 | |
| 23 | 532121274 | KNOB | | 1 | |
| 24 | 532128215 | GEAR LEVER | | 1 | |
| 25 | 876020416 | SPLIT PIN | | 1 | |
| 26 | 873810500 | NUT | | 1 | |
| 28 | 532128085 | SPRING | | 1 | |
| 29 | 532128084 | BRACKET | | 1 | |
| 31 | 532137057 | SPACER | | 1 | |
| 32 | 819111116 | WASHER | | 1 | |
| 35 | 812000001 | RETAINER RING | | 1 | |
| 36 | 874780408 | BOLT | | 1 | |
| 37 | 873680500 | NUT | | 1 | |

M



| REF. | PART NO. | DESCRIPTION | REMARK | QTY. | KIT |
|------|-----------|--------------------------|--------|------|-----|
| 1 | 532140064 | SPRING | | 1 | |
| 2 | 532122052 | SPACER | | 1 | |
| 3 | 873680600 | NUT | | 1 | |
| 4 | 532130840 | BRAKE LEVER | | 1 | |
| 5 | 532131251 | BELT GUIDE | | 1 | |
| 6 | 532121316 | PULLEY | | 1 | |
| 7 | 872110616 | BOLT | | 1 | |
| 8 | 819131410 | WASHER | | 1 | |
| 9 | 532127744 | IDLE ARM ASSY LT10/36D | | 1 | |
| 10 | 872140610 | BOLT | | 1 | |
| 11 | 532130841 | ARM | | 1 | |
| 12 | 532127356 | BRACKET | | 1 | |
| 13 | 872140506 | BOLT | | 1 | |
| 14 | 873680500 | NUT | | 1 | |
| 15 | 532127357 | BRACKET | | 1 | |
| 16 | 532140093 | KEEPER, R.H. | | 1 | |
| 17 | 532128508 | SUPPORT | | 1 | |
| 18 | 532128511 | PIN RETAINING SCREW | | 1 | |
| 19 | 532127380 | BRACKET | | 1 | |
| 20 | 532138496 | RIDE ON BLADE | | 1 | |
| 21 | 532140296 | WASHER | | 1 | |
| 22 | 810030600 | WASHER | | 1 | |
| 23 | 532850857 | BOLT | | 1 | |
| 24 | 532140329 | STRIPPER | | 1 | |
| 25 | 532138776 | SCREW | | 1 | |
| 26 | 532129963 | WASHER | | 1 | |
| 27 | 532129983 | CUTTER DECK | | 1 | |
| 28 | 532129207 | PULLEY | | 1 | |
| 29 | 532137266 | NUT | | 1 | |
| 30 | 532136631 | BRACKET | | 1 | |
| 31 | 817490508 | SCREW | | 1 | |
| 32 | 532122051 | HOLDER | | 1 | |
| 33 | 532131560 | GUARD DISCHARGE LT10/36D | | 1 | |
| 36 | 532121980 | ROD | | 1 | |
| 37 | 532123713 | SPRING | | 1 | |
| 38 | 532105304 | HUB CAP | | 1 | |
| 39 | 819111016 | WASHER | | 1 | |
| 40 | 532110452 | NUT | | 1 | |
| 41 | 532131264 | BELT | | 1 | |
| 42 | 819171616 | WASHER | | 1 | |
| 43 | 532124660 | CIRCLIP | | 1 | |
| 44 | 532140608 | HOLDER | | 1 | |
| 45 | 532110485 | BEARING | | 1 | |
| 46 | 532128774 | BEARING HOUSING | | 1 | |
| 47 | 532129895 | BEARING | | 1 | |
| 48 | 532137645 | SHAFT | | 1 | |
| -- | 532130794 | MANDREL | | 1 | |
| 49 | 532133943 | WASHER | | 1 | |
| 50 | 532145989 | BOLT | | 1 | |
| 51 | 532136383 | PROTECTOR | | 1 | |
| 52 | 734114601 | WASHER | | 1 | |
| 53 | 532145990 | NUT | | 1 | |