

LT130, 954140004A, 1996-12

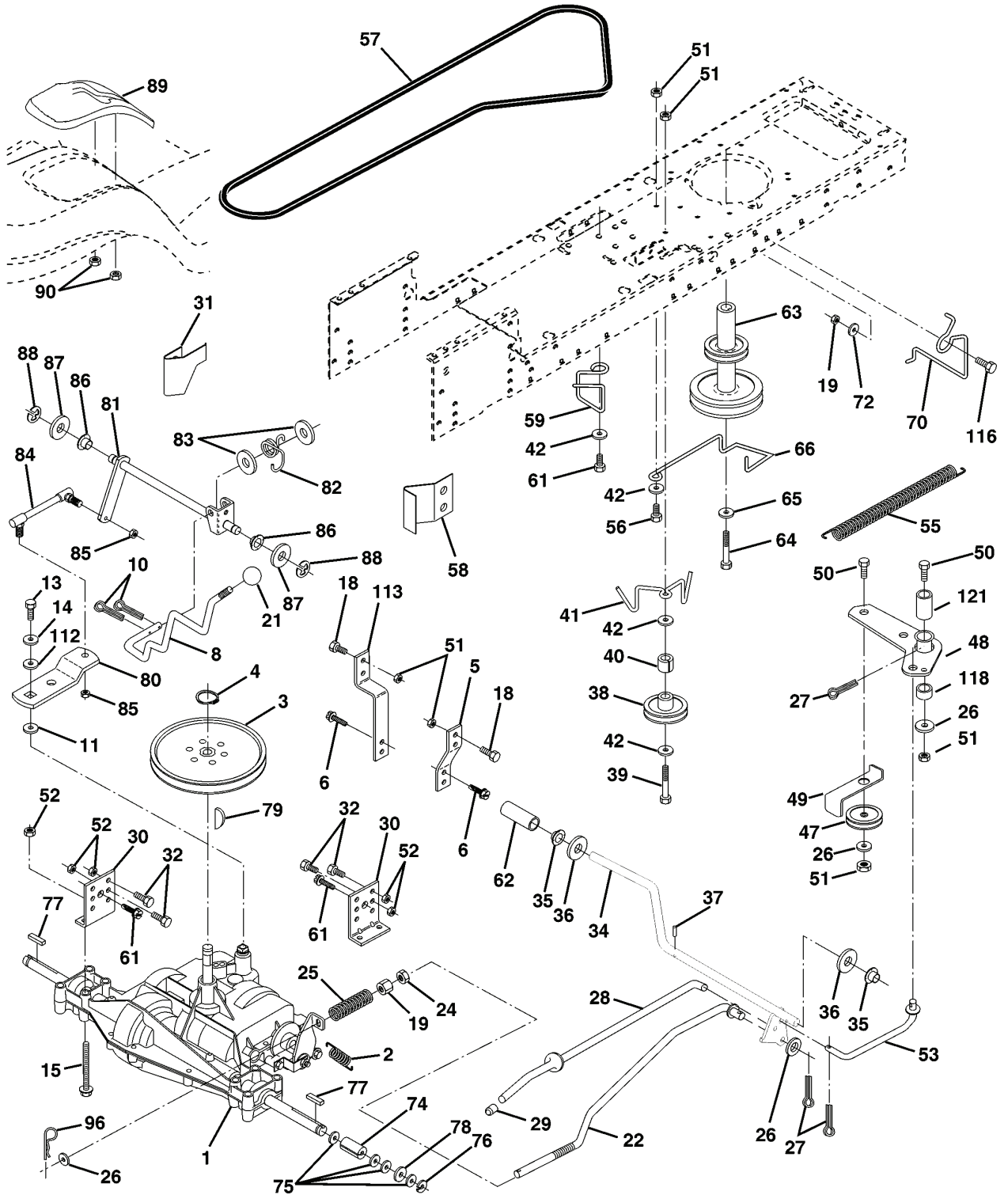
---

# **SPARE PARTS LIST**

# REPAIR PARTS

TRACTOR - MODEL NO. LT130 (954140004A), PRODUCT NO. 954 1400-04

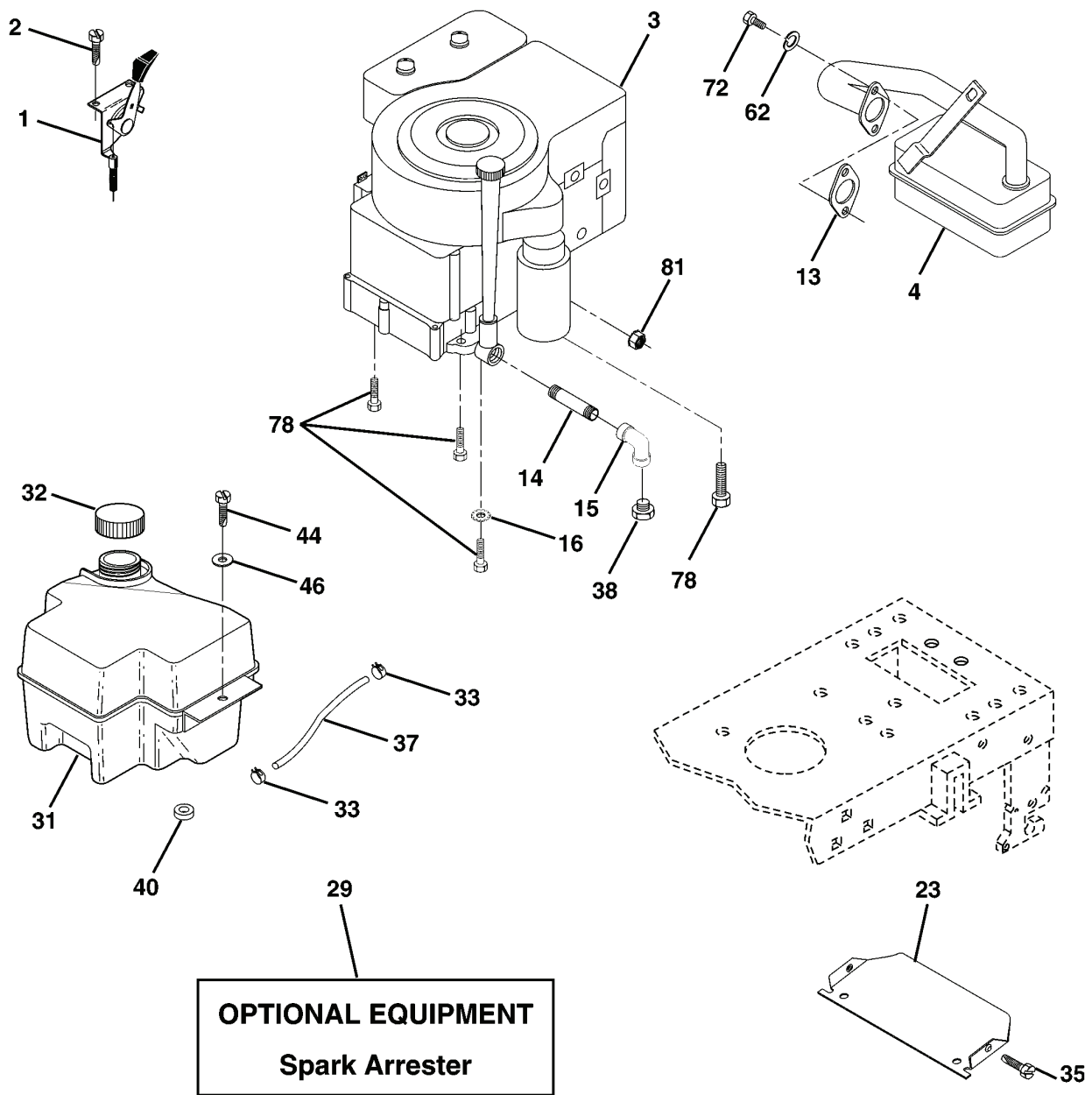
## DRIVE



| REF. | PART NO.  | DESCRIPTION          | REMARK | QTY. | KIT |
|------|-----------|----------------------|--------|------|-----|
| 2    | 532146682 | SPRING               |        | 1    |     |
| 3    | 532123666 | PULLEY               |        | 1    |     |
| 4    | 812000028 | CLIP                 |        | 1    |     |
| 5    | 532121520 | BRACKET              |        | 1    |     |
| 6    | 817490512 | SCREW                |        | 1    |     |
| 8    | 532154792 | ROD                  |        | 1    |     |
| 10   | 876020416 | SPLIT PIN            |        | 1    |     |
| 11   | 532105701 | WASHER               |        | 1    |     |
| 13   | 874550412 | BOLT                 |        | 1    |     |
| 14   | 810040400 | WASHER               |        | 1    |     |
| 15   | 874490544 | SCREW                |        | 1    |     |
| 18   | 874780616 | BOLT                 |        | 1    |     |
| 19   | 873800600 | NUT                  |        | 1    |     |
| 21   | 532121274 | KNOB                 |        | 1    |     |
| 22   | 532130804 | ROD                  |        | 1    |     |
| 24   | 873350600 | NUT                  |        | 1    |     |
| 25   | 532106888 | SPRING               |        | 1    |     |
| 26   | 819131316 | WASHER               |        | 1    |     |
| 27   | 876020412 | SPLIT PIN            |        | 1    |     |
| 28   | 532145204 | ROD                  |        | 1    |     |
| 29   | 532071673 | COVER                |        | 1    |     |
| 30   | 532130807 | BRACKET              |        | 1    |     |
| 31   | 532127275 | GUIDE                |        | 1    |     |
| 32   | 874760512 | BOLT                 |        | 1    |     |
| 34   | 532155071 | SHAFT                |        | 1    |     |
| 35   | 532120183 | BEARING              |        | 1    |     |
| 36   | 819211616 | WASHER               |        | 1    |     |
| 37   | 532124963 | PIN RETAINING SCREW  |        | 1    |     |
| 38   | 532123674 | PULLEY               |        | 1    |     |
| 39   | 874760644 | BOLT                 |        | 1    |     |
| 40   | 532124965 | SPACER               |        | 1    |     |
| 41   | 532154777 | TENSIONER            |        | 1    |     |
| 42   | 819131312 | WASHER               |        | 1    |     |
| 47   | 532127783 | PULLEY               |        | 1    |     |
| 48   | 532154604 | GUIDE                |        | 1    |     |
| 49   | 532123205 | BELT GUIDE           |        | 1    |     |
| 50   | 874760624 | BOLT                 |        | 1    |     |
| 51   | 873680600 | NUT                  |        | 1    |     |
| 52   | 873680500 | NUT                  |        | 1    |     |
| 53   | 532105710 | LINK                 |        | 1    |     |
| 55   | 532105709 | SPRING               |        | 1    |     |
| 56   | 874760620 | BOLT                 |        | 1    |     |
| 57   | 532130801 | V-BELT               |        | 1    |     |
| 58   | 532127274 | KEEPER               |        | 1    |     |
| 59   | 532140312 | BELT GUIDE           |        | 1    |     |
| 61   | 817490612 | SCREW                |        | 1    |     |
| 62   | 532124872 | PEDAL RUBBER         |        | 1    |     |
| 63   | 532140186 | PULLEY               |        | 1    |     |
| 64   | 871170764 | BOLT                 |        | 1    |     |
| 65   | 810040700 | WASHER               |        | 1    |     |
| 66   | 532154778 | TENSIONER            |        | 1    |     |
| 70   | 532134683 | BELT GUIDE           |        | 1    |     |
| 72   | 819132012 | WASHER               |        | 1    |     |
| 74   | 532137057 | SPACER               |        | 1    |     |
| 75   | 532121749 | WASHER               |        | 1    |     |
| 76   | 812000001 | RETAINER RING        |        | 1    |     |
| 77   | 532123583 | KEY                  |        | 1    |     |
| 78   | 532121748 | WASHER               |        | 1    |     |
| 79   | 532125096 | WOODRUFF KEY         |        | 1    |     |
| 80   | 532131486 | ROD                  |        | 1    |     |
| 81   | 532156043 | SHAFT ASM CROSS 20'T |        | 1    |     |
| 82   | 532123782 | TORSION SPRING       |        | 1    |     |
| 83   | 819171216 | WASHER               |        | 1    |     |
| 84   | 532123793 | LEVER                |        | 1    |     |
| 85   | 532150360 | NUT                  |        | 1    |     |
| 86   | 532071208 | BUSHING              |        | 1    |     |
| 87   | 819212016 | WASHER               |        | 1    |     |
| 88   | 812000008 | CLIP                 |        | 1    |     |
| 89   | 532154886 | BRACKET              |        | 1    |     |
| 90   | 532124346 | NUT                  |        | 1    |     |
| 96   | 532124788 | RETAINER RING        |        | 1    |     |
| 112  | 819091210 | WASHER               |        | 1    |     |
| 113  | 532127285 | BRACKET              |        | 1    |     |
| 116  | 872110610 | BOLT                 |        | 1    |     |
| 118  | 532154774 | SPACER               |        | 1    |     |
| 121  | 532154419 | CLUTCH               |        | 1    |     |

# REPAIR PARTS

TRACTOR - MODEL NO. LT130 (954140004A), PRODUCT NO. 954 1400-04  
ENGINE

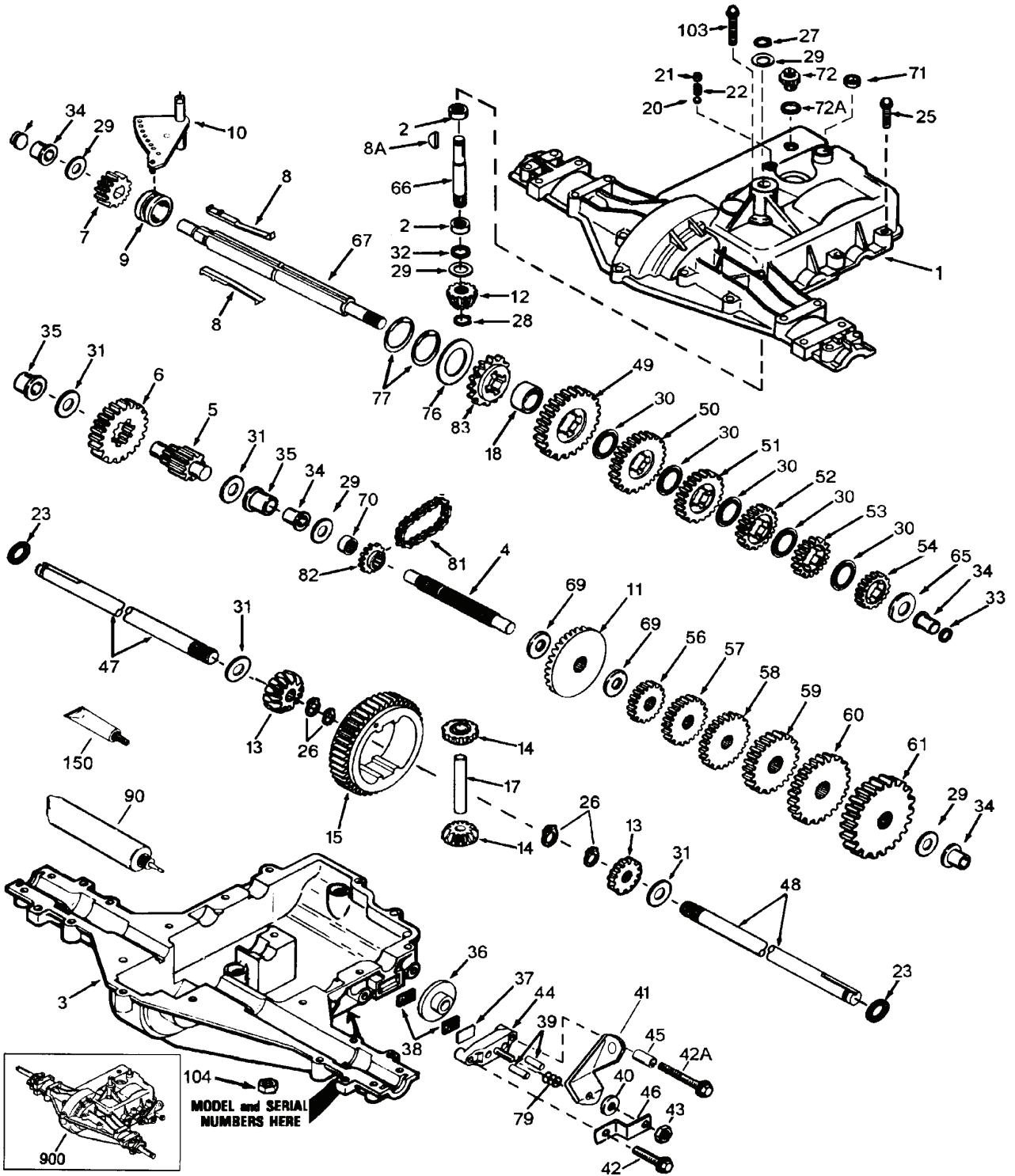


---

| REF. | PART NO.  | DESCRIPTION        | REMARK | QTY. | KIT |
|------|-----------|--------------------|--------|------|-----|
| 1    | 532140310 | CONTROL            |        | 1    |     |
| 2    | 817720410 | SCREW              |        | 1    |     |
| 4    | 532137348 | MUFFLER, CPL.      |        | 1    |     |
| 13   | 532272293 | GASKET             |        | 1    |     |
| 14   | 813280324 | PIPE               |        | 1    |     |
| 15   | 813200300 | ELBOW              |        | 1    |     |
| 16   | 811050600 | WASHER             |        | 1    |     |
| 23   | 532156123 | PROTECTOR          |        | 1    |     |
| 29   | 532137180 | SPARK ARRESTER KIT |        | 1    |     |
| 31   | 532140280 | TANK               |        | 1    |     |
| 32   | 532140527 | FUEL CAP           |        | 1    |     |
| 33   | 532123487 | HOSE CLAMP         |        | 1    |     |
| 35   | 817490512 | SCREW              |        | 1    |     |
| 37   | 532137040 | HOSE               |        | 1    |     |
| 40   | 532124028 | BUSHING            |        | 1    |     |
| 44   | 817490412 | SCREW              |        | 1    |     |
| 46   | 819091416 | WASHER             |        | 1    |     |
| 62   | 810040500 | WASHER             |        | 1    |     |
| 72   | 871070512 | BOLT               |        | 1    |     |
| 78   | 817490620 | SCREW              |        | 1    |     |
| 81   | 532128861 | NUT                |        | 1    |     |

# REPAIR PARTS

TRACTOR - MODEL NO. LT130 (954140004A), PRODUCT NO. 954 1400-04  
PEERLESS TRANSAXLE - MODEL NUMBER 930-055A



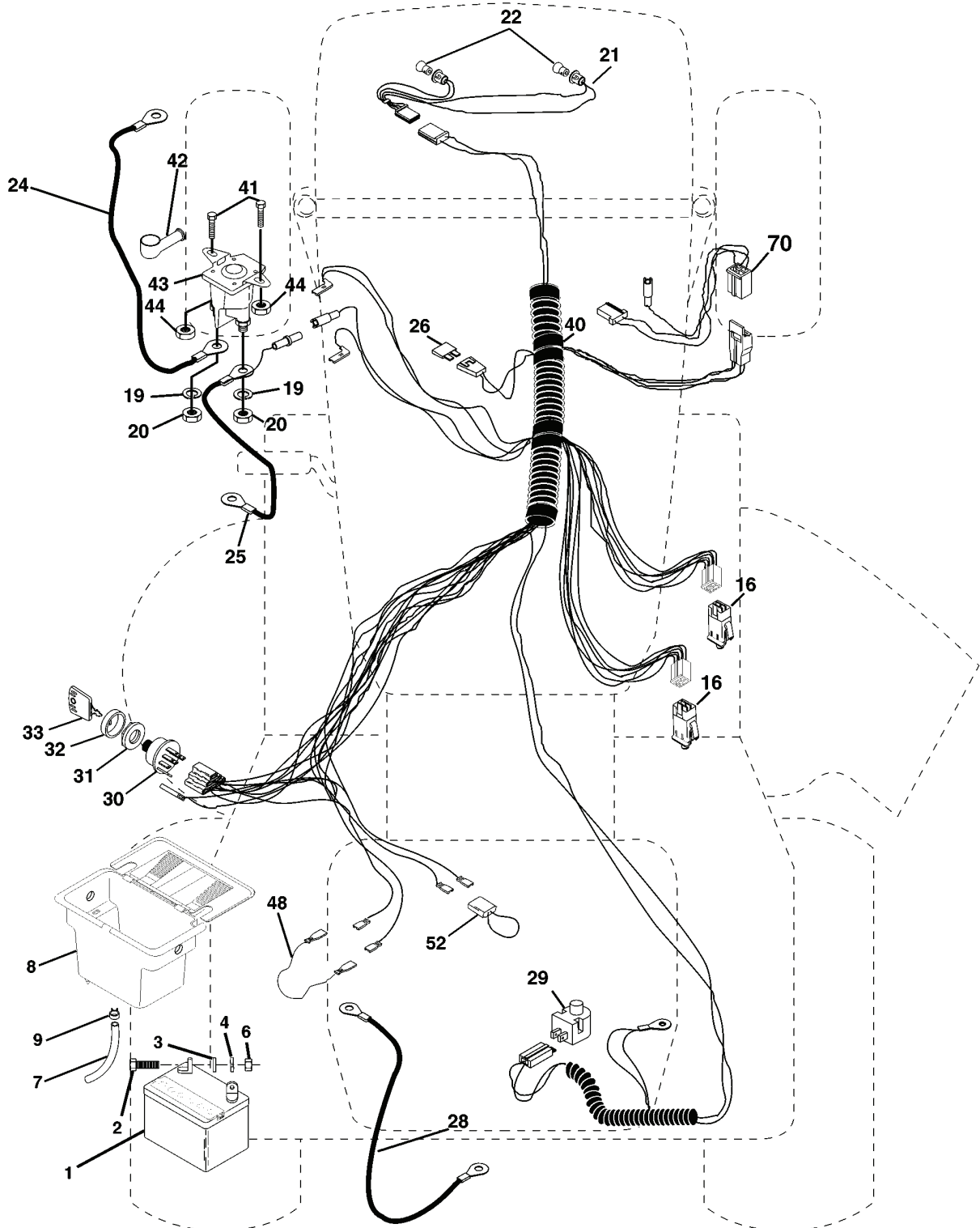
| REF. | PART NO. | DESCRIPTION                   | REMARK | QTY. | KIT |
|------|----------|-------------------------------|--------|------|-----|
| 2    | 780086   | NEEDLE BEARING                |        | 1    |     |
| 4    | 776260   | SHAFT                         |        | 1    |     |
| 8A   | 792047   | WEDGE                         |        | 1    |     |
| 9    | 784352   |                               |        | 1    |     |
| 11   | 778229   | GEAR WHEEL                    |        | 1    |     |
| 14   | 778068   | GEAR WHEEL HD-6/DDM225        |        | 1    |     |
| 15   | 778260   | GEAR WHEEL                    |        | 1    |     |
| 18   | 786102   |                               |        | 1    |     |
| 20   | 792077   | BALL                          |        | 1    |     |
| 21   | 792078   |                               |        | 1    |     |
| 22   | 792079   | SPRING                        |        | 1    |     |
| 23   | 788061   | GASKET                        |        | 1    |     |
| 25   | 792073   | SCREW                         |        | 1    |     |
| 26   | 792125   |                               |        | 1    |     |
| 27   | 792035   |                               |        | 1    |     |
| 28   | 788040   | RING                          |        | 1    |     |
| 29   | 780072   |                               |        | 1    |     |
| 30   | 780108   | TOOL                          |        | 1    |     |
| 31   | 780001   |                               |        | 1    |     |
| 33   | 788095   | GASKET                        |        | 1    |     |
| 36   | 790003   | BREMSSCHEIBE                  |        | 1    |     |
| 37   | 790007   | PLATE                         |        | 1    |     |
| 38   | 799021   | BRAKE LINING                  |        | 1    |     |
| 39   | 786026   | STIFT                         |        | 1    |     |
| 40   | 792076A  |                               |        | 1    |     |
| 41   | 790079   | BRAKE LEVER                   |        | 1    |     |
| 42   | 792073   | SCREW                         |        | 1    |     |
| 42A  | 792085A  |                               |        | 1    |     |
| 43   | 792075   |                               |        | 1    |     |
| 44   | 790025   | BREMSEGEH[USE                 |        | 1    |     |
| 45   | 786066   |                               |        | 1    |     |
| 46   | 786086   |                               |        | 1    |     |
| 47   | 774690   | ACHSE F_R GETRIEBE MST206-546 |        | 1    |     |
| 48   | 774691   |                               |        | 1    |     |
| 49   | 778215   | GEAR WHEEL                    |        | 1    |     |
| 54   | 778273   | PINION                        |        | 1    |     |
| 56   | 778230   | GEAR WHEEL                    |        | 1    |     |
| 61   | 778163   | GEAR WHEEL                    |        | 1    |     |
| 66   | 776135   | EINGANGSWELLE                 |        | 1    |     |
| 69   | 780051   | WASHER                        |        | 1    |     |
| 71   | 788069   | SEALING RING                  |        | 1    |     |
| 76   | 780090   |                               |        | 1    |     |
| 77   | 788078A  |                               |        | 1    |     |
| 79   | 792144   | SPRING                        |        | 1    |     |
| 81   | 786081   | CHAIN                         |        | 1    |     |
| 150  | 510334   | GASKET                        |        | 1    |     |
| 900  | 794603   | TEC KÄIGUKAST                 |        | 1    |     |



# REPAIR PARTS

TRACTOR - MODEL NO. LT130 (954140004A), PRODUCT NO. 954 1400-04

## ELECTRICAL

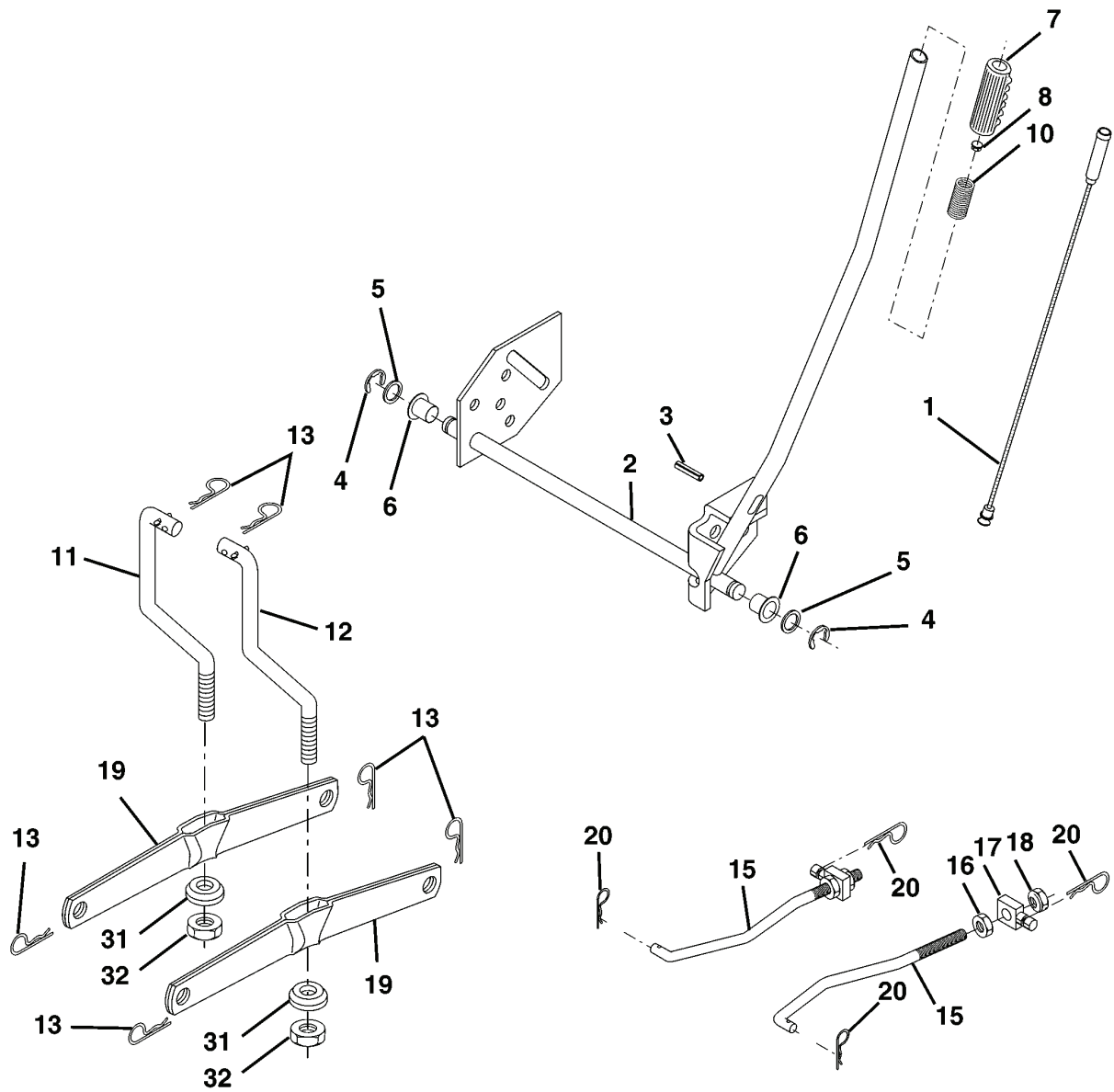


| REF. | PART NO.  | DESCRIPTION | REMARK | QTY. | KIT |
|------|-----------|-------------|--------|------|-----|
| 1    | 532146139 | BATTERY     |        | 1    |     |
| 2    | 874760412 | BOLT        |        | 1    |     |
| 3    | 819091016 | WASHER      |        | 1    |     |
| 4    | 810040400 | WASHER      |        | 1    |     |
| 6    | 873220400 | NUT         |        | 1    |     |
| 7    | 532109238 | HOSE        |        | 1    |     |
| 8    | 532156417 | BOX         |        | 1    |     |
| 9    | 532109596 | CLAMP       |        | 1    |     |
| 16   | 532153664 | SWITCH      |        | 1    |     |
| 19   | 810090400 | WASHER      |        | 1    |     |
| 20   | 873350400 | NUT         |        | 1    |     |
| 21   | 532136850 | HARNESS     |        | 1    |     |
| 22   | 532004152 | BULB        |        | 1    |     |
| 24   | 532124780 | CABLE       |        | 1    |     |
| 25   | 532146147 | CABLE       |        | 1    |     |
| 26   | 532108824 | FUSE        |        | 1    |     |
| 28   | 532124773 | CABLE       |        | 1    |     |
| 29   | 532121305 | SWITCH      |        | 1    |     |
| 30   | 532140301 | SWITCH      |        | 1    |     |
| 31   | 532124211 | NUT         |        | 1    |     |
| 32   | 532141226 | COVER       |        | 1    |     |
| 33   | 532122147 | KEY         |        | 1    |     |
| 40   | 532156442 | CABLE ASSY  |        | 1    |     |
| 41   | 871110408 | BOLT        |        | 1    |     |
| 42   | 532131563 | COVER       |        | 1    |     |
| 43   | 532145673 | SOLENOID    |        | 1    |     |
| 44   | 873640400 | NUT         |        | 1    |     |
| 48   | 532140844 | ADAPTER     |        | 1    |     |
| 52   | 532141940 | WIRE        |        | 1    |     |
| 70   | 532140413 | HARNESS     |        | 1    |     |

# REPAIR PARTS

TRACTOR - MODEL NO. LT130 (954140004A), PRODUCT NO. 954 1400-04

## MOWER LIFT



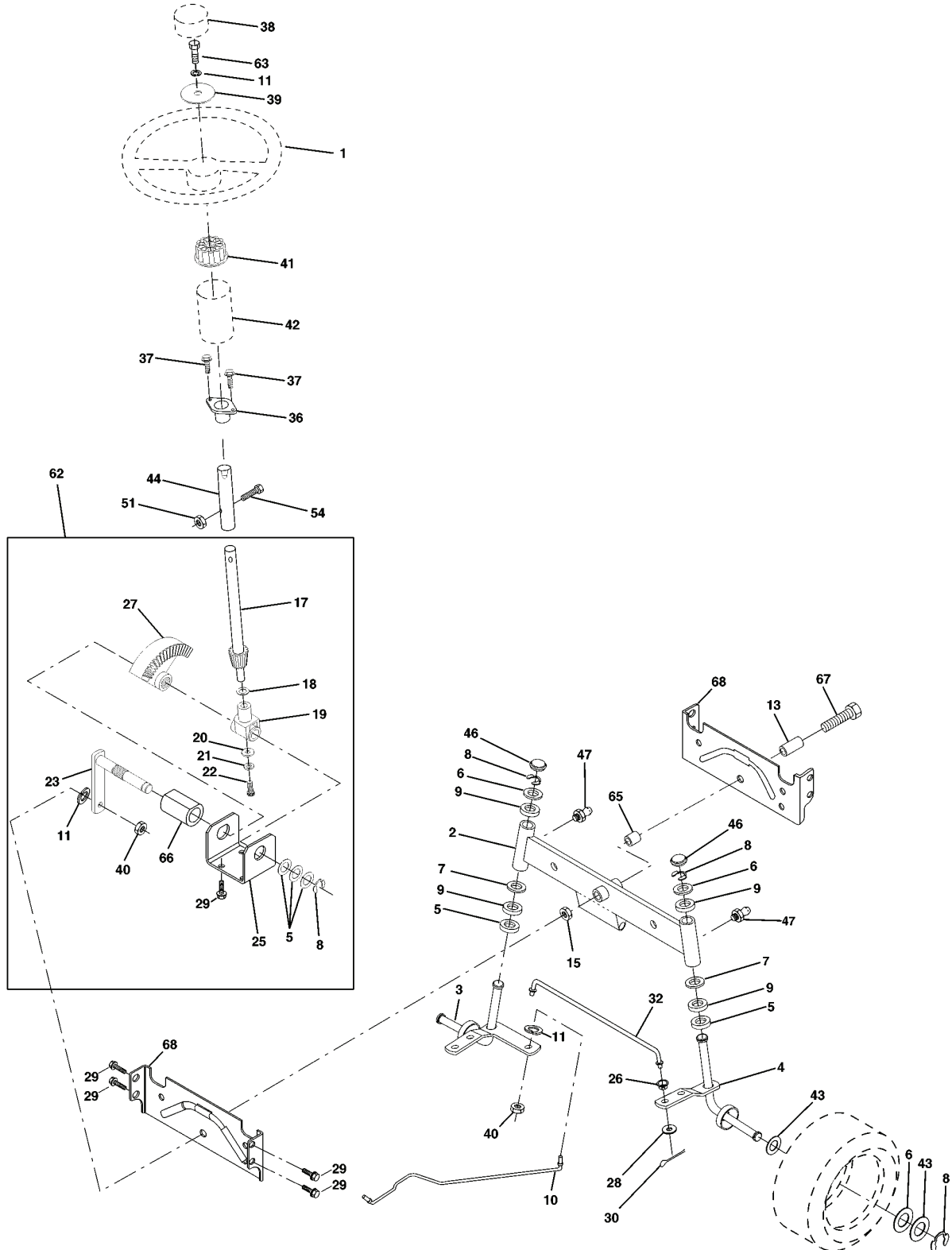
---

| REF. | PART NO.  | DESCRIPTION         | REMARK | QTY. | KIT |
|------|-----------|---------------------|--------|------|-----|
| 1    | 532136973 | WIRE                |        | 1    |     |
| 2    | 532145117 | LEVER               |        | 1    |     |
| 3    | 532105767 | PIN RETAINING SCREW |        | 1    |     |
| 4    | 812000002 | RETAINER RING       |        | 1    |     |
| 5    | 819211621 | WASHER              |        | 1    |     |
| 6    | 532120183 | BEARING             |        | 1    |     |
| 7    | 532109413 | GRIP                |        | 1    |     |
| 8    | 532124526 | KNOB                |        | 1    |     |
| 10   | 532122512 | SPRING              |        | 1    |     |
| 11   | 532139865 | LINK                |        | 1    |     |
| 12   | 532139866 | LINK                |        | 1    |     |
| 13   | 532124670 | RETAINER RING       |        | 1    |     |
| 15   | 532127218 | LINK                |        | 1    |     |
| 16   | 873350800 | NUT                 |        | 1    |     |
| 17   | 532130171 | BRACKET             |        | 1    |     |
| 18   | 873800800 | NUT                 |        | 1    |     |
| 19   | 532139868 | LEVER               |        | 1    |     |
| 20   | 532124660 | CIRCLIP             |        | 1    |     |
| 31   | 532140302 | BEARING             |        | 1    |     |
| 32   | 873540600 | NUT                 |        | 1    |     |

# REPAIR PARTS

TRACTOR - MODEL NO. LT130 (954140004A), PRODUCT NO. 954 1400-04

## STEERING ASSEMBLY

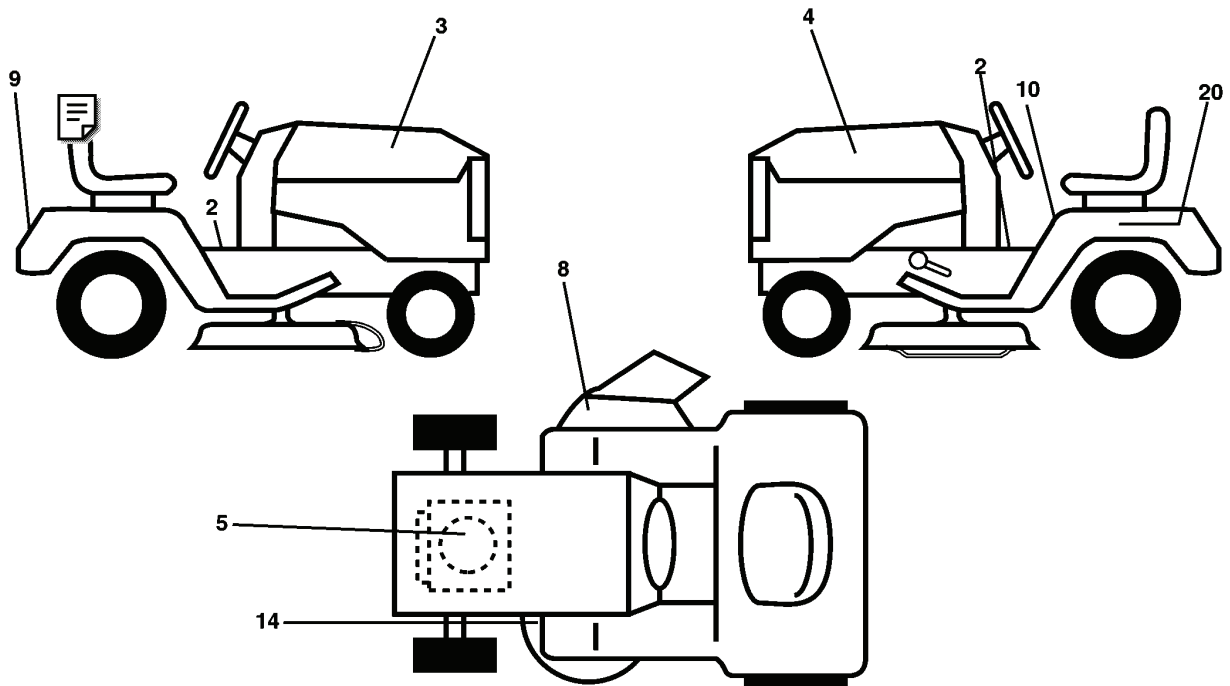


| REF. | PART NO.  | DESCRIPTION        | REMARK | QTY. | KIT |
|------|-----------|--------------------|--------|------|-----|
| 1    | 532124415 | STEERING WHEEL     |        | 1    |     |
| 2    | 532154427 | SHAFT              |        | 1    |     |
| 3    | 532154422 | SPINDLE            |        | 1    |     |
| 4    | 532154423 | SPINDLE            |        | 1    |     |
| 5    | 532124931 | WASHER             |        | 1    |     |
| 6    | 532121748 | WASHER             |        | 1    |     |
| 7    | 819272016 | WASHER             |        | 1    |     |
| 8    | 812000029 | RETAINER RING      |        | 1    |     |
| 9    | 532124937 | BEARING COL. STRG. |        | 1    |     |
| 10   | 532156438 | LINK               |        | 1    |     |
| 11   | 810040600 | WASHER             |        | 1    |     |
| 13   | 532154779 | SPACER             |        | 1    |     |
| 15   | 873901000 | NUT                |        | 1    |     |
| 17   | 532156546 | SHAFT              |        | 1    |     |
| 18   | 532057079 | WASHER             |        | 1    |     |
| 19   | 532124035 | BRACKET            |        | 1    |     |
| 20   | 532126684 | SHIM               |        | 1    |     |
| 21   | 810040400 | WASHER             |        | 1    |     |
| 22   | 871100410 | SCREW              |        | 1    |     |
| 23   | 532127501 | SHAFT              |        | 1    |     |
| 25   | 532154406 | BRACKET            |        | 1    |     |
| 26   | 532126847 | BUSHING            |        | 1    |     |
| 27   | 532136874 | ECCENTRIC DISC     |        | 1    |     |
| 28   | 819131416 | WASHER             |        | 1    |     |
| 29   | 817490612 | SCREW              |        | 1    |     |
| 30   | 876020412 | SPLIT PIN          |        | 1    |     |
| 32   | 532130465 | ROD                |        | 1    |     |
| 36   | 532155099 | BUSHING            |        | 1    |     |
| 37   | 532152927 | SCREW              |        | 1    |     |
| 38   | 532124416 | INSERT             |        | 1    |     |
| 39   | 819133808 | WASHER             |        | 1    |     |
| 40   | 532124701 | NUT                |        | 1    |     |
| 41   | 532100711 | ADAPTER            |        | 1    |     |
| 42   | 532155092 | SLEEVE             |        | 1    |     |
| 43   | 532121749 | WASHER             |        | 1    |     |
| 44   | 532153720 | STEERING PINION    |        | 1    |     |
| 46   | 532121232 | HUB CAP            |        | 1    |     |
| 47   | 532124836 | NIPPLE             |        | 1    |     |
| 51   | 873800500 | LOCK NUT           |        | 1    |     |
| 54   | 874780520 | BOLT               |        | 1    |     |
| 62   | 532156594 | STEERING GEAR. KIT |        | 1    |     |
| 63   | 874780616 | BOLT               |        | 1    |     |
| 65   | 532154780 | BUSHING            |        | 1    |     |
| 66   | 532154404 | BUSHING            |        | 1    |     |
| 67   | 874781044 | SCREW              |        | 1    |     |
| 68   | 532154429 | SHAFT              |        | 1    |     |

## REPAIR PARTS

TRACTOR - MODEL NO. LT130 (954140004A), PRODUCT NO. 954 1400-04

### DECALS



---

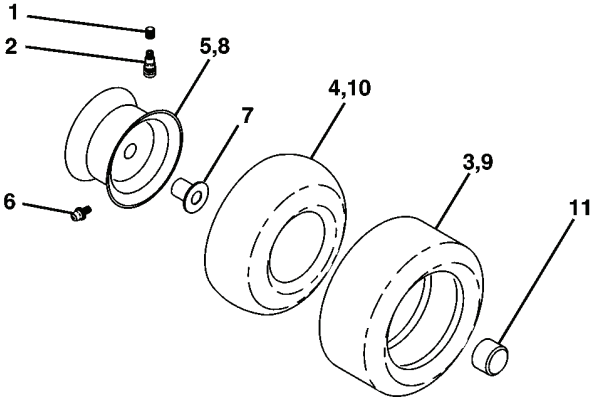
| REF. | PART NO.  | DESCRIPTION                  | REMARK | QTY. | KIT |
|------|-----------|------------------------------|--------|------|-----|
| 2    | 532156369 | DECALC.OPERATEUR             |        | 1    |     |
| 3    | 532150724 | DECAL                        |        | 1    |     |
| 4    | 532150723 | DECAL                        |        | 1    |     |
| 5    | 532273212 | DECAL                        |        | 1    |     |
| 8    | 532137259 | DECAL                        |        | 1    |     |
| 9    | 532150617 | DECAL                        |        | 1    |     |
| 10   | 532157140 | DECAL                        |        | 1    |     |
| 14   | 532136832 | DECAL                        |        | 1    |     |
| 20   | 532146451 | DECAL                        |        | 1    |     |
| -    | 532154515 | FOOT REST                    |        | 1    |     |
| -    | 532154516 | FOOT REST                    |        | 1    |     |
| -    | 532138311 | DECAL                        |        | 1    |     |
| -    | 532157190 | OPERATORS MANUAL             |        | 1    |     |
| -    | 532157192 | OPERATORS MANUAL             |        | 1    |     |
| -    | LSB42     |                              |        | 1    |     |
| -    | C42       | GRASS CATCHER 42"/9540405-09 |        | 1    |     |
| -    | LC05      | WHEEL WEIGHTS (PAIR)         |        | 1    |     |
| -    | LBD48     | SNOW BLADE                   |        | 1    |     |



# REPAIR PARTS

TRACTOR - MODEL NO. LT130 (954140004A), PRODUCT NO. 954 1400-04

## WHEELS & TIRES

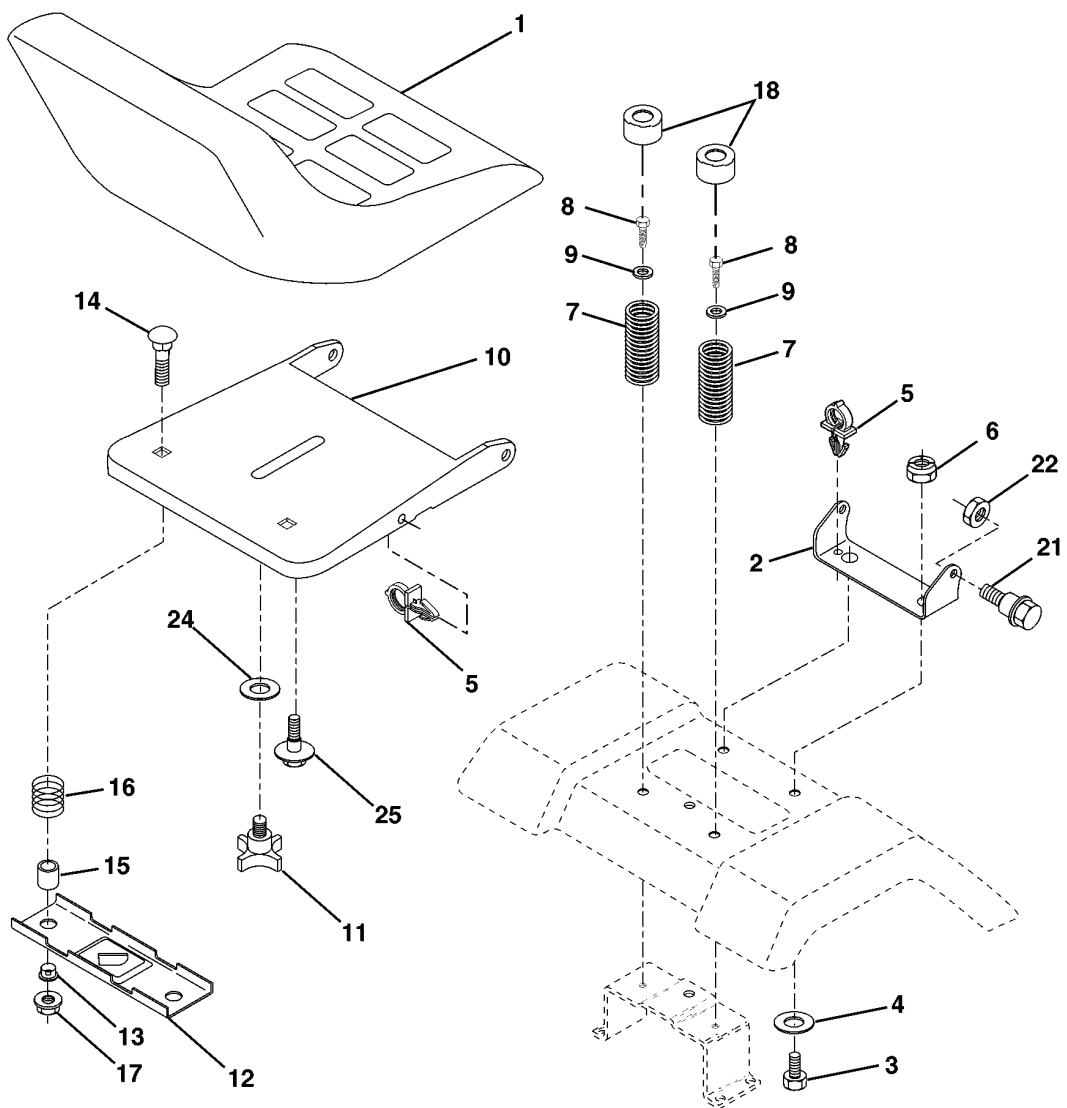


---

| REF. | PART NO.  | DESCRIPTION  | REMARK | QTY. | KIT |
|------|-----------|--------------|--------|------|-----|
| 1    | 532059192 | CAP VALVE    |        | 1    |     |
| 2    | 532065139 | NIPPLE       |        | 1    |     |
| 3    | 532106222 | TIRE         |        | 1    |     |
| 4    | 532059904 | HOSE         |        | 1    |     |
| 5    | 532138336 | RIM          |        | 1    |     |
| 6    | 532124957 | FITTING      |        | 1    |     |
| 7    | 532124959 | BEARING      |        | 1    |     |
| 8    | 532138337 | RIM SPROCKET |        | 1    |     |
| 9    | 532124635 | TIRE         |        | 1    |     |
| 10   | 532124926 | HOSE         |        | 1    |     |
| 11   | 532104757 | HUB CAP      |        | 1    |     |
| -    | 532144334 | SEALING FOAM |        | 1    |     |

# REPAIR PARTS

TRACTOR - MODEL NO. LT130 (954140004A), PRODUCT NO. 954 1400-04  
SEAT ASSEMBLY



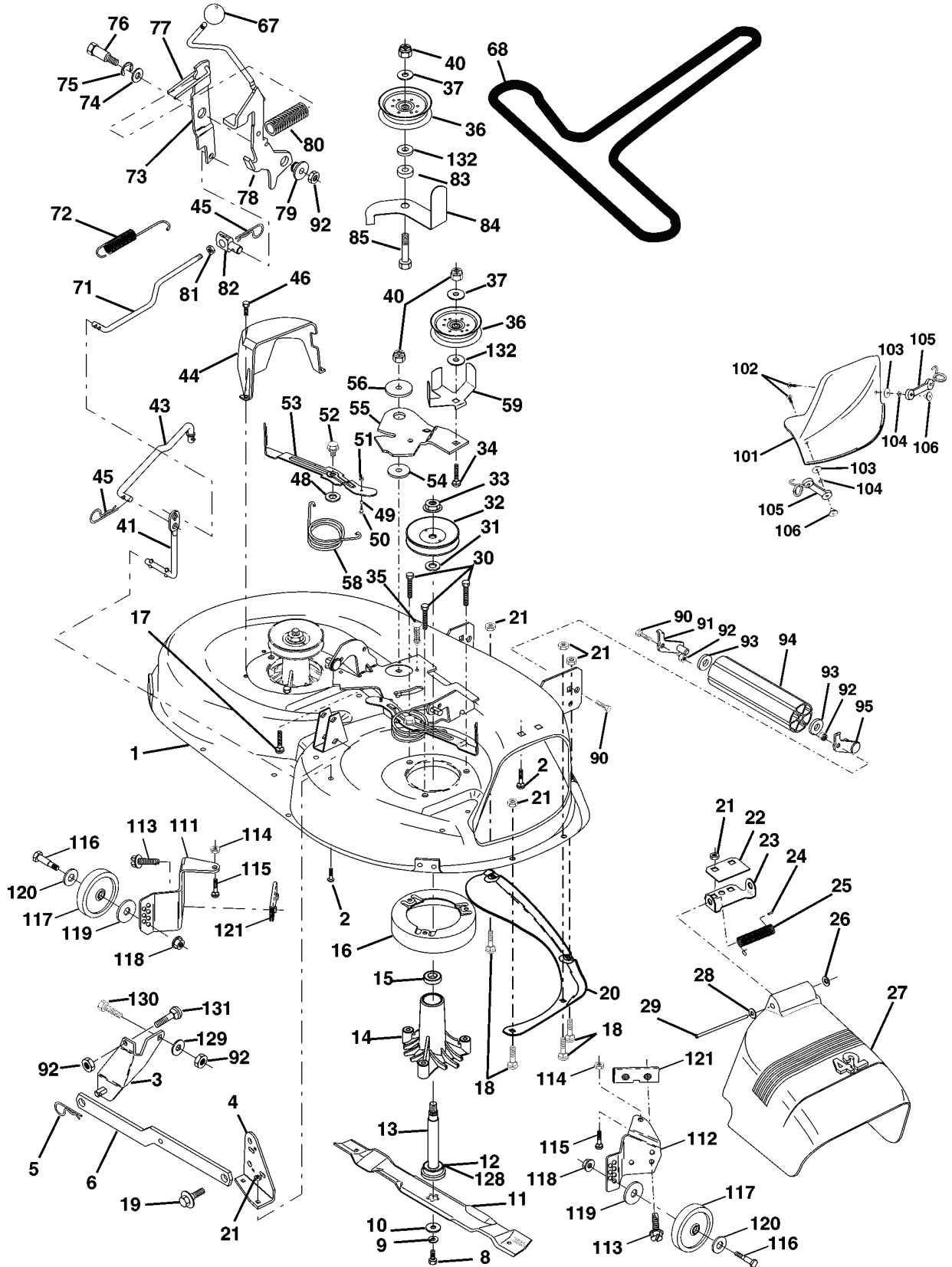
---

| REF. | PART NO.  | DESCRIPTION | REMARK | QTY. | KIT |
|------|-----------|-------------|--------|------|-----|
| 1    | 532140838 | SEAT        |        | 1    |     |
| 2    | 532140551 | BRACKET     |        | 1    |     |
| 3    | 874760616 | BOLT        |        | 1    |     |
| 4    | 819131610 | WASHER      |        | 1    |     |
| 5    | 532145006 | CLIP        |        | 1    |     |
| 6    | 873800600 | NUT         |        | 1    |     |
| 7    | 532124181 | SPRING      |        | 1    |     |
| 8    | 817490616 | SCREW       |        | 1    |     |
| 9    | 819131614 | WASHER      |        | 1    |     |
| 10   | 532155925 | BRACKET     |        | 1    |     |
| 11   | 532120068 | KNOB        |        | 1    |     |
| 12   | 532121246 | BRACKET     |        | 1    |     |
| 13   | 532121248 | BUSHING     |        | 1    |     |
| 14   | 872050411 | BOLT        |        | 1    |     |
| 15   | 532134300 | SPACER      |        | 1    |     |
| 16   | 532121250 | SPRING      |        | 1    |     |
| 17   | 532123976 | LOCKNUT     |        | 1    |     |
| 18   | 532124238 | HUB CAP     |        | 1    |     |
| 21   | 532153236 | SCREW       |        | 1    |     |
| 22   | 873800500 | LOCK NUT    |        | 1    |     |
| 24   | 819171912 | WASHER      |        | 1    |     |
| 25   | 532127018 | BOLT        |        | 1    |     |

# REPAIR PARTS

TRACTOR - MODEL NO. LT130 (954140004A), PRODUCT NO. 954 1400-04

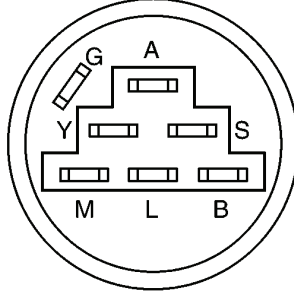
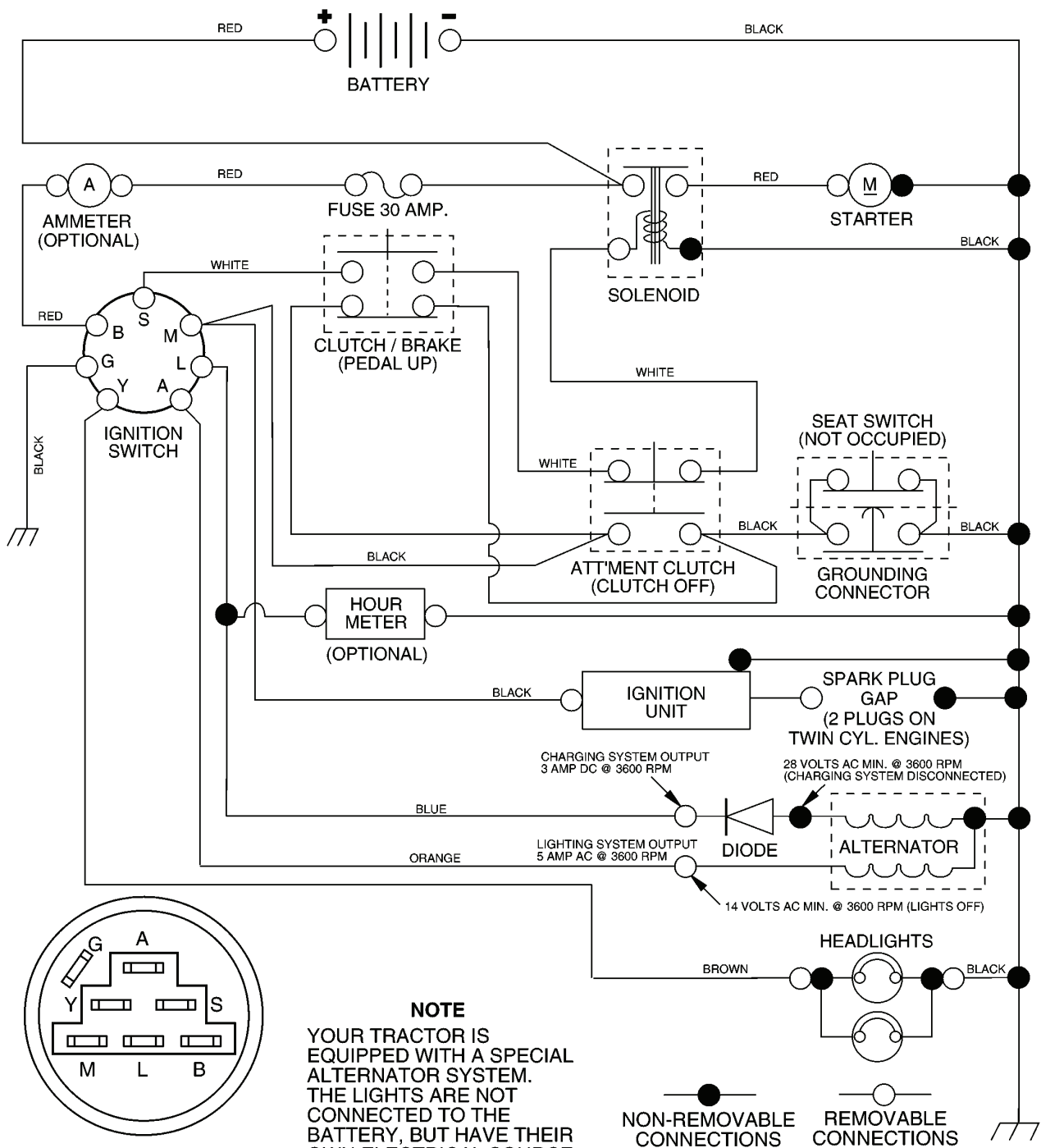
## MOWER DECK



| REF. | PART NO.  | DESCRIPTION       | REMARK | QTY. | KIT |
|------|-----------|-------------------|--------|------|-----|
| 1    | 532144393 | COVER             |        | 1    |     |
| 2    | 872140506 | BOLT              |        | 1    |     |
| 3    | 532138017 | BRACKE            |        | 1    |     |
| 4    | 532138440 | BRACKET           |        | 1    |     |
| 5    | 532124670 | RETAINER RING     |        | 1    |     |
| 6    | 532130832 | LEVER             |        | 1    |     |
| 8    | 532850857 | BOLT              |        | 1    |     |
| 9    | 810030600 | WASHER            |        | 1    |     |
| 10   | 532140296 | WASHER            |        | 1    |     |
| 11   | 532134149 | RIDE ON BLADE     |        | 1    |     |
| 12   | 532129895 | BEARING           |        | 1    |     |
| 13   | 532137645 | SHAFT             |        | 1    |     |
| 14   | 532128774 | BEARING HOUSING   |        | 1    |     |
| 15   | 532110485 | BEARING           |        | 1    |     |
| 16   | 532140329 | STRIPPER          |        | 1    |     |
| 17   | 872110610 | BOLT              |        | 1    |     |
| 18   | 872140505 | BOLT              |        | 1    |     |
| 19   | 532132827 | SPEC. BOLT        |        | 1    |     |
| 20   | 532136888 | BAFFLE            |        | 1    |     |
| 21   | 873680500 | NUT               |        | 1    |     |
| 22   | 532134753 | PLATE             |        | 1    |     |
| 23   | 532131267 | BRACKET           |        | 1    |     |
| 24   | 532105304 | HUB CAP           |        | 1    |     |
| 25   | 532123713 | SPRING            |        | 1    |     |
| 26   | 532110452 | NUT               |        | 1    |     |
| 27   | 532130968 | DEFLECTOR         |        | 1    |     |
| 28   | 819111016 | WASHER            |        | 1    |     |
| 29   | 532131491 | SHAFT             |        | 1    |     |
| 30   | 532138776 | SCREW             |        | 1    |     |
| 31   | 532129963 | WASHER            |        | 1    |     |
| 32   | 532153535 | PULLEY            |        | 1    |     |
| 33   | 532137266 | NUT               |        | 1    |     |
| 34   | 872110614 | BOLT              |        | 1    |     |
| 35   | 532133835 | XMAS TREE FASTNER |        | 1    |     |
| 36   | 532131494 | PULLEY            |        | 1    |     |
| 37   | 819131316 | WASHER            |        | 1    |     |
| 40   | 873680600 | NUT               |        | 1    |     |
| 41   | 532133551 | LINK              |        | 1    |     |
| 43   | 532140083 | ROD               |        | 1    |     |
| 44   | 532140088 | GUARD             |        | 1    |     |
| 45   | 532124788 | RETAINER RING     |        | 1    |     |
| 46   | 532137729 | SCREW             |        | 1    |     |
| 48   | 532133944 | WASHER            |        | 1    |     |
| 49   | 532155066 | BUSHING           |        | 1    |     |
| 50   | 532131340 | BOLT              |        | 1    |     |
| 51   | 532069180 | NUT               |        | 1    |     |
| 52   | 532139888 | BOLT              |        | 1    |     |
| 53   | 532157388 | LEVER             |        | 1    |     |
| 54   | 532133943 | WASHER            |        | 1    |     |
| 55   | 532155046 | LEVER             |        | 1    |     |
| 56   | 532122052 | SPACER            |        | 1    |     |
| 58   | 532140086 | SPRING            |        | 1    |     |
| 59   | 532141043 | GUARD             |        | 1    |     |
| 67   | 532106933 | KNOB              |        | 1    |     |
| 68   | 532144200 | BELT              |        | 1    |     |
| 71   | 532142427 | ROD               |        | 1    |     |
| 72   | 532131870 | SPRING            |        | 1    |     |
| 73   | 532127847 | LEVER             |        | 1    |     |
| 74   | 532121748 | WASHER            |        | 1    |     |
| 75   | 812000029 | RETAINER RING     |        | 1    |     |
| 76   | 532128903 | BOLT              |        | 1    |     |
| 77   | 532127845 | BRACKET           |        | 1    |     |
| 78   | 532154809 | LEVER             |        | 1    |     |
| 79   | 532127498 | BUSHING           |        | 1    |     |
| 80   | 532153701 | SPRING            |        | 1    |     |
| 81   | 873350600 | NUT               |        | 1    |     |
| 82   | 532142028 | BRACKET           |        | 1    |     |
| 83   | 532120958 | WASHER            |        | 1    |     |
| 84   | 532144394 | BELT GUIDE        |        | 1    |     |
| 85   | 872140618 | BOLT              |        | 1    |     |
| 90   | 874760616 | BOLT              |        | 1    |     |
| 91   | 532132274 | BRACKET           |        | 1    |     |
| 92   | 873800600 | NUT               |        | 1    |     |
| 93   | 819171416 | WASHER            |        | 1    |     |
| 94   | 532132264 | ROLLER            |        | 1    |     |
| 95   | 532132273 | BRACKET           |        | 1    |     |
| 101  | 532136420 | COVER             |        | 1    |     |
| 102  | 871161010 | SCREW             |        | 1    |     |

---

| REF. | PART NO.  | DESCRIPTION | REMARK | QTY. | KIT |
|------|-----------|-------------|--------|------|-----|
| 103  | 819061216 | WASHER      |        | 1    |     |
| 104  | 810071000 | WASHER      |        | 1    |     |
| 105  | 532130758 | LATCH       |        | 1    |     |
| 106  | 532125004 | NUT         |        | 1    |     |
| 111  | 532155197 | BRACKET     |        | 1    |     |
| 112  | 532155198 | BRACKET     |        | 1    |     |
| 113  | 817490512 | SCREW       |        | 1    |     |
| 114  | 873510500 | NUT         |        | 1    |     |
| 115  | 872110504 | BOLT        |        | 1    |     |
| 116  | 532124842 | BOLT        |        | 1    |     |
| 117  | 532105455 | WHEEL GAUGE |        | 1    |     |
| 118  | 873930600 | NUT         |        | 1    |     |
| 119  | 819121414 | WASHER      |        | 1    |     |
| 120  | 819171512 | WASHER      |        | 1    |     |
| 121  | 532143723 | BRACKET     |        | 1    |     |
| 128  | 532153390 | GASKET      |        | 1    |     |
| 129  | 819131312 | WASHER      |        | 1    |     |
| 130  | 874780616 | BOLT        |        | 1    |     |
| 131  | 872140608 | BOLT        |        | 1    |     |
| -    | 532130794 | MANDREL     |        | 1    |     |
| -    | 532145411 | HOUSING     |        | 1    |     |



**IGNITION SWITCH**

| POSITION  | CIRCUIT   | "MAKE" |
|-----------|-----------|--------|
| OFF       | G + M + L | NONE   |
| RUN/LIGHT | B + L     | A + Y  |
| RUN       | B + L     | NONE   |
| START     | B + L + S | NONE   |

**NOTE**  
 YOUR TRACTOR IS EQUIPPED WITH A SPECIAL ALTERNATOR SYSTEM. THE LIGHTS ARE NOT CONNECTED TO THE BATTERY, BUT HAVE THEIR OWN ELECTRICAL SOURCE. BECAUSE OF THIS, THE BRIGHTNESS OF THE LIGHTS WILL CHANGE WITH ENGINE SPEED. AT IDLE THE LIGHTS WILL DIM. AS THE ENGINE IS SPEEDED UP, THE LIGHTS WILL BECOME THEIR BRIGHTEST.

**WIRING INSULATED CLIPS**

**NOTE:** IF WIRING INSULATED CLIPS WERE REMOVED FOR SERVICING OF UNIT, THEY SHOULD BE REPLACED TO PROPERLY SECURE YOUR WIRING.







| REF. | PART NO.  | DESCRIPTION   | REMARK | QTY. | KIT |
|------|-----------|---------------|--------|------|-----|
| 1    | 532153871 | FRAME         |        | 1    |     |
| 2    | 532140356 | DRAWBAR       |        | 1    |     |
| 3    | 817490612 | SCREW         |        | 1    |     |
| 4    | 819131216 | WASHER        |        | 1    |     |
| 5    | 532155272 | DAMPER        |        | 1    |     |
| 9    | 532157261 | DASH          |        | 1    |     |
| 10   | 872140608 | BOLT          |        | 1    |     |
| 11   | 532155927 | PLATE         |        | 1    |     |
| 13   | 532157262 | PLATE         |        | 1    |     |
| 14   | 817490608 | SCREW         |        | 1    |     |
| 17   | 532156051 | HOOD          |        | 1    |     |
| 20   | 532156437 | PLATE         |        | 1    |     |
| 23   | 532124028 | BUSHING       |        | 1    |     |
| 25   | 819131312 | WASHER        |        | 1    |     |
| 26   | 873800600 | NUT           |        | 1    |     |
| 28   | 532149776 | GRILL         |        | 1    |     |
| 29   | 532149777 | LENS          |        | 1    |     |
| 30   | 532156489 | GUARD         |        | 1    |     |
| 31   | 532139976 | BRACKET       |        | 1    |     |
| 37   | 817490508 | SCREW         |        | 1    |     |
| 38   | 532139886 | BRACKET       |        | 1    |     |
| 39   | 532139887 | BRACKET       |        | 1    |     |
| 51   | 873800400 | NUT           |        | 1    |     |
| 52   | 819091416 | WASHER        |        | 1    |     |
| 53   | 532150067 | BRACKET       |        | 1    |     |
| 57   | 874780412 | BOLT          |        | 1    |     |
| 58   | 532150127 | AIR CONDUCTOR |        | 1    |     |
| 60   | 872140606 | BOLT          |        | 1    |     |
| 64   | 532154798 | PANEL         |        | 1    |     |
| 74   | 873680600 | NUT           |        | 1    |     |
| 80   | 532155854 | RETAINER      |        | 1    |     |
| 129  | 819091016 | WASHER        |        | 1    |     |
| 134  | 532150132 | ROD           |        | 1    |     |
| 140  | 532150556 | BRACKET       |        | 1    |     |
| 142  | 532156095 | PLATE         |        | 1    |     |
| 143  | 532154966 | BRACKET       |        | 1    |     |
| 144  | 532154207 | HOLDER        |        | 1    |     |
| 146  | 532154334 | SCREW         |        | 1    |     |
| -    | 532005479 | PLUG          |        | 1    |     |
|      | PART NO.  |               | REMARK |      | KIT |