

LTH145, 954140006A, 1997-01

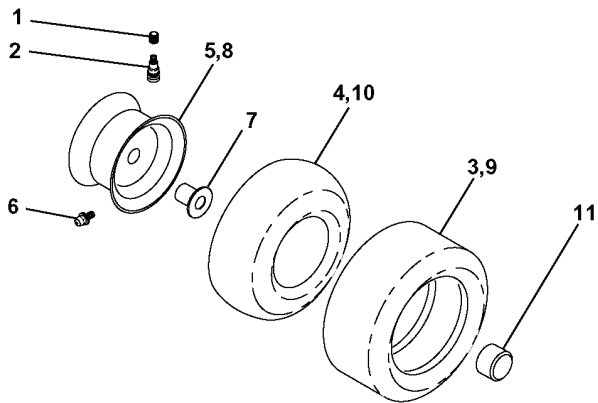
---

# **SPARE PARTS LIST**

## REPAIR PARTS

TRACTOR - MODEL NO. LTH145 (954140006A), PRODUCT NO. 954 14 00-06

### WHEELS & TIRES



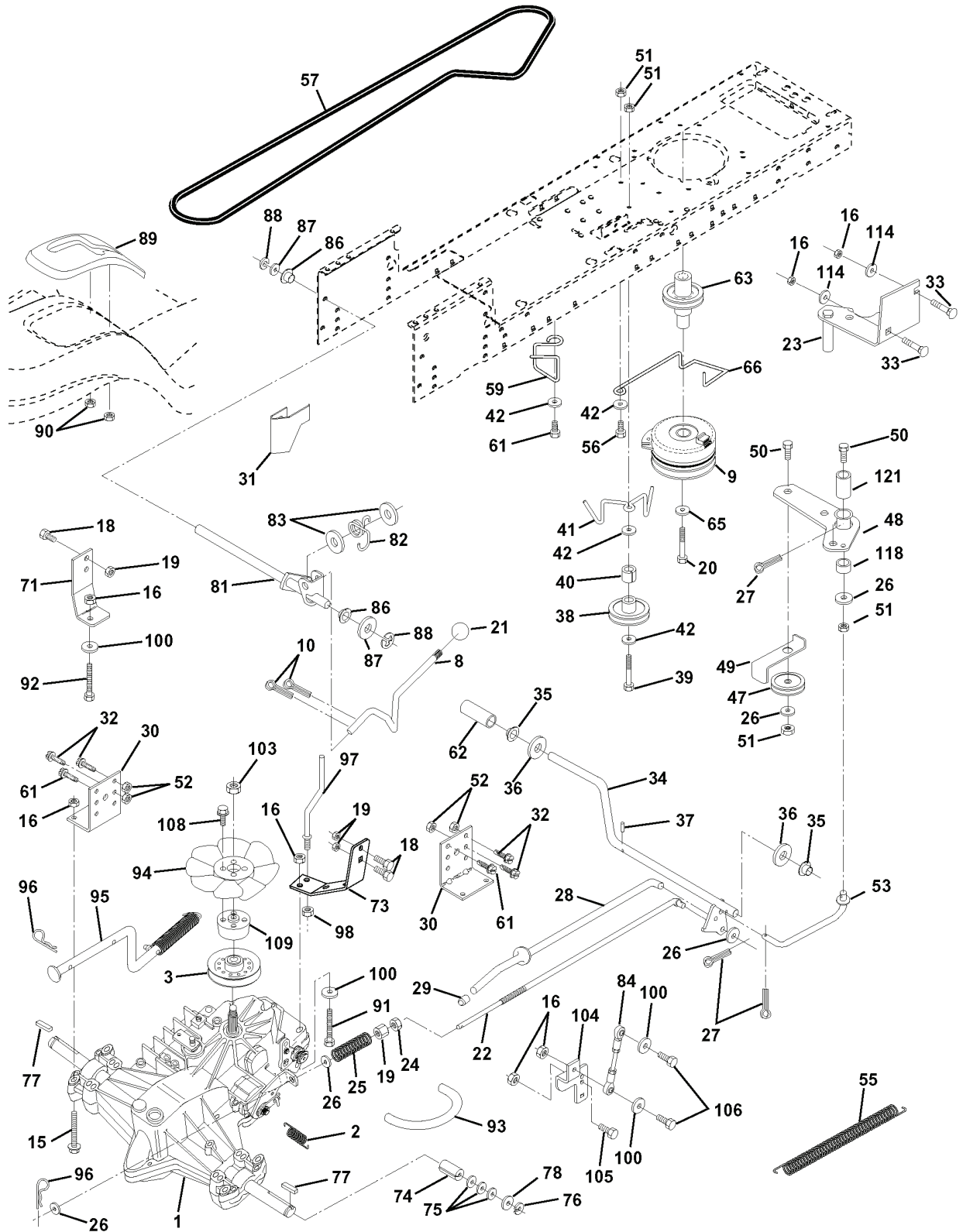
---

| REF. | PART NO.  | DESCRIPTION  | REMARK | QTY. | KIT |
|------|-----------|--------------|--------|------|-----|
| 1    | 532059192 | CAP VALVE    |        | 1    |     |
| 2    | 532065139 | NIPPLE       |        | 1    |     |
| 3    | 532106222 | TIRE         |        | 1    |     |
| 4    | 532059904 | HOSE         |        | 1    |     |
| 5    | 532138336 | RIM          |        | 1    |     |
| 6    | 532124957 | FITTING      |        | 1    |     |
| 7    | 532124959 | BEARING      |        | 1    |     |
| 8    | 532138337 | RIM SPROCKET |        | 1    |     |
| 9    | 532124635 | TIRE         |        | 1    |     |
| 10   | 532124926 | HOSE         |        | 1    |     |
| 11   | 532104757 | HUB CAP      |        | 1    |     |
| --   | 532144334 | SEALING FOAM |        | 1    |     |

# REPAIR PARTS

TRACTOR - MODEL NO. LTH145 (95140006A) PRODUCT NO. 954-14 00-06

DRIVE



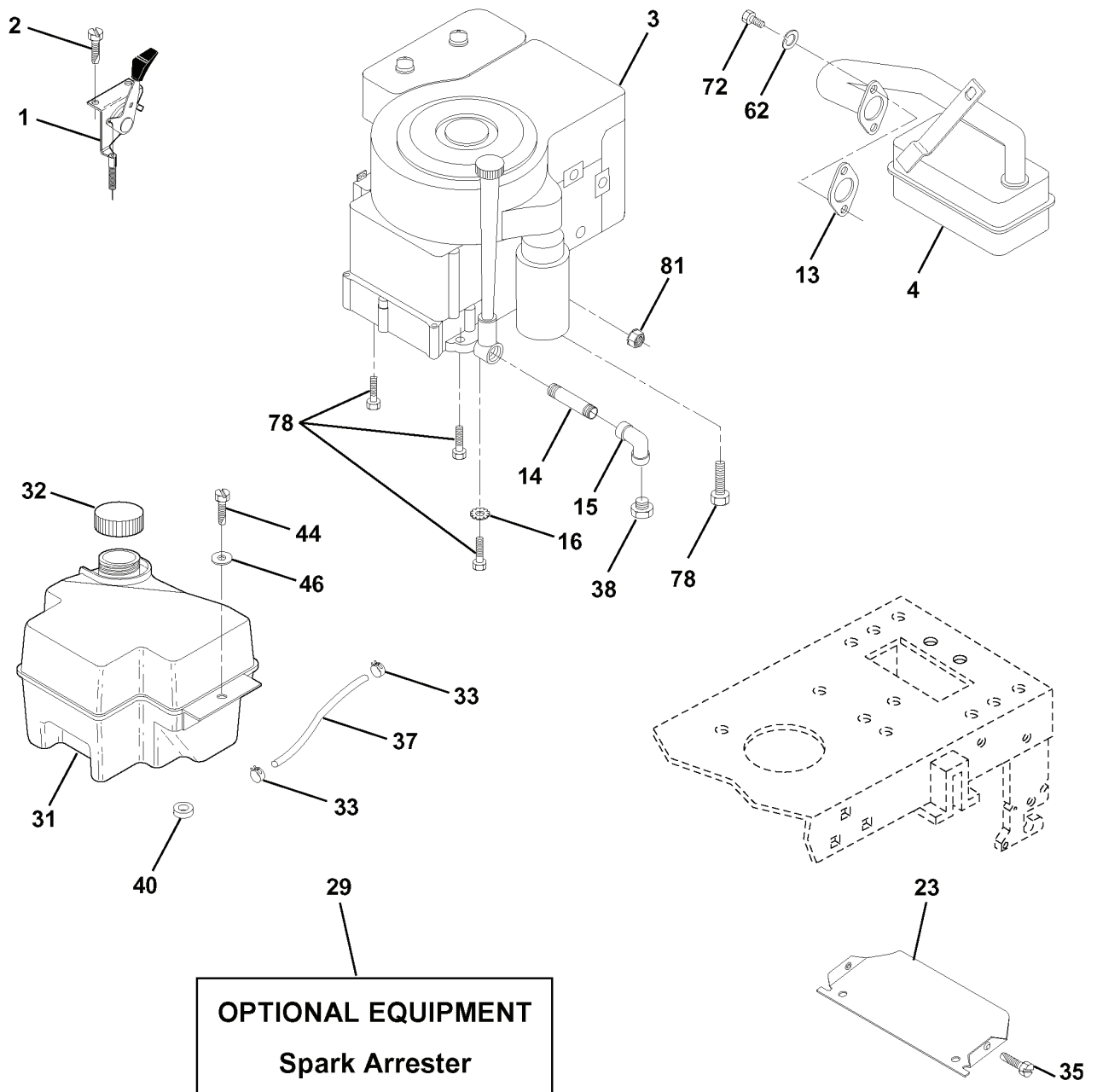
| REF. | PART NO.  | DESCRIPTION         | REMARK | QTY. | KIT |
|------|-----------|---------------------|--------|------|-----|
| 1    | 532140607 | TRANSAXLE           |        | 1    |     |
| 2    | 532142431 | SPRING              |        | 1    |     |
| 3    | 532144698 | PULLEY              |        | 1    |     |
| 8    | 532154792 | ROD                 |        | 1    |     |
| 9    | 532145028 | CLUTCH              |        | 1    |     |
| 10   | 876020416 | SPLIT PIN           |        | 1    |     |
| 15   | 874490544 | SCREW               |        | 1    |     |
| 16   | 873800500 | LOCK NUT            |        | 1    |     |
| 18   | 874780616 | BOLT                |        | 1    |     |
| 19   | 873800600 | NUT                 |        | 1    |     |
| 20   | 532150280 | SCREW               |        | 1    |     |
| 21   | 532121274 | KNOB                |        | 1    |     |
| 22   | 532145627 | ROD                 |        | 1    |     |
| 23   | 532154978 | BRACKET             |        | 1    |     |
| 24   | 873350600 | NUT                 |        | 1    |     |
| 25   | 532106888 | SPRING              |        | 1    |     |
| 26   | 819131316 | WASHER              |        | 1    |     |
| 27   | 876020412 | SPLIT PIN           |        | 1    |     |
| 28   | 532145204 | ROD                 |        | 1    |     |
| 29   | 532071673 | COVER               |        | 1    |     |
| 30   | 532130807 | BRACKET             |        | 1    |     |
| 31   | 532127275 | GUIDE               |        | 1    |     |
| 32   | 874760512 | BOLT                |        | 1    |     |
| 33   | 872140506 | BOLT                |        | 1    |     |
| 34   | 532155071 | SHAFT               |        | 1    |     |
| 35   | 532120183 | BEARING             |        | 1    |     |
| 36   | 819211616 | WASHER              |        | 1    |     |
| 37   | 532124963 | PIN RETAINING SCREW |        | 1    |     |
| 38   | 532123674 | PULLEY              |        | 1    |     |
| 39   | 874760644 | BOLT                |        | 1    |     |
| 40   | 532124965 | SPACER              |        | 1    |     |
| 41   | 532154777 | TENSIONER           |        | 1    |     |
| 42   | 819131312 | WASHER              |        | 1    |     |
| 47   | 532127783 | PULLEY              |        | 1    |     |
| 48   | 532154604 | GUIDE               |        | 1    |     |
| 49   | 532123205 | BELT GUIDE          |        | 1    |     |
| 50   | 874760624 | BOLT                |        | 1    |     |
| 51   | 873680600 | NUT                 |        | 1    |     |
| 52   | 873680500 | NUT                 |        | 1    |     |
| 53   | 532105710 | LINK                |        | 1    |     |
| 55   | 532105709 | SPRING              |        | 1    |     |
| 56   | 874760620 | BOLT                |        | 1    |     |
| 57   | 532141416 | V-BELT              |        | 1    |     |
| 59   | 532140312 | BELT GUIDE          |        | 1    |     |
| 60   | 532105730 | BELT GUIDE          |        | 1    |     |
| 61   | 817490612 | SCREW               |        | 1    |     |
| 62   | 532124872 | PEDAL RUBBER        |        | 1    |     |
| 63   | 532145868 | PULLEY              |        | 1    |     |
| 65   | 810040700 | WASHER              |        | 1    |     |
| 66   | 532154778 | TENSIONER           |        | 1    |     |
| 71   | 532141417 | STRAP               |        | 1    |     |
| 73   | 532141418 | STRAP               |        | 1    |     |
| 74   | 532121199 | SPACER              |        | 1    |     |
| 75   | 532121749 | WASHER              |        | 1    |     |
| 76   | 812000001 | RETAINER RING       |        | 1    |     |
| 77   | 532123583 | KEY                 |        | 1    |     |
| 78   | 532121748 | WASHER              |        | 1    |     |
| 81   | 532156048 | SHAFT               |        | 1    |     |
| 82   | 532123782 | TORSION SPRING      |        | 1    |     |
| 83   | 819171216 | WASHER              |        | 1    |     |
| 84   | 532141423 | ROD                 |        | 1    |     |
| 86   | 532071208 | BUSHING             |        | 1    |     |
| 87   | 819212016 | WASHER              |        | 1    |     |
| 88   | 812000008 | CLIP                |        | 1    |     |
| 89   | 532154882 | BRACKET             |        | 1    |     |
| 90   | 532124346 | NUT                 |        | 1    |     |
| 91   | 874780536 | BOLT                |        | 1    |     |
| 92   | 874780524 | BOLT                |        | 1    |     |
| 93   | 532142564 | HODE                |        | 1    |     |
| 94   | 532140462 | FAN                 |        | 1    |     |
| 95   | 532144643 | CONTROL             |        | 1    |     |
| 96   | 532124788 | RETAINER RING       |        | 1    |     |
| 97   | 532144201 | HOLDER              |        | 1    |     |
| 98   | 873510600 | NUT                 |        | 1    |     |
| 100  | 819111216 | WASHER              |        | 1    |     |
| 103  | 873940800 | NUT                 |        | 1    |     |
| 104  | 532141421 | LEVER               |        | 1    |     |
| 105  | 871070516 | SCREW               |        | 1    |     |

---

| REF. | PART NO.  | DESCRIPTION | REMARK | QTY. | KIT |
|------|-----------|-------------|--------|------|-----|
| 106  | 874780520 | BOLT        |        | 1    |     |
| 108  | 817541026 | SCREW       |        | 1    |     |
| 109  | 532145098 | ADAPTER     |        | 1    |     |
| 114  | 819111214 | WASHER      |        | 1    |     |
| 118  | 532154774 | SPACER      |        | 1    |     |
| 121  | 532154419 | CLUTCH      |        | 1    |     |

# REPAIR PARTS

TRACTOR - MODEL NO. LTH145 (954140006A), PRODUCT NO. 954 14 00-06  
ENGINE



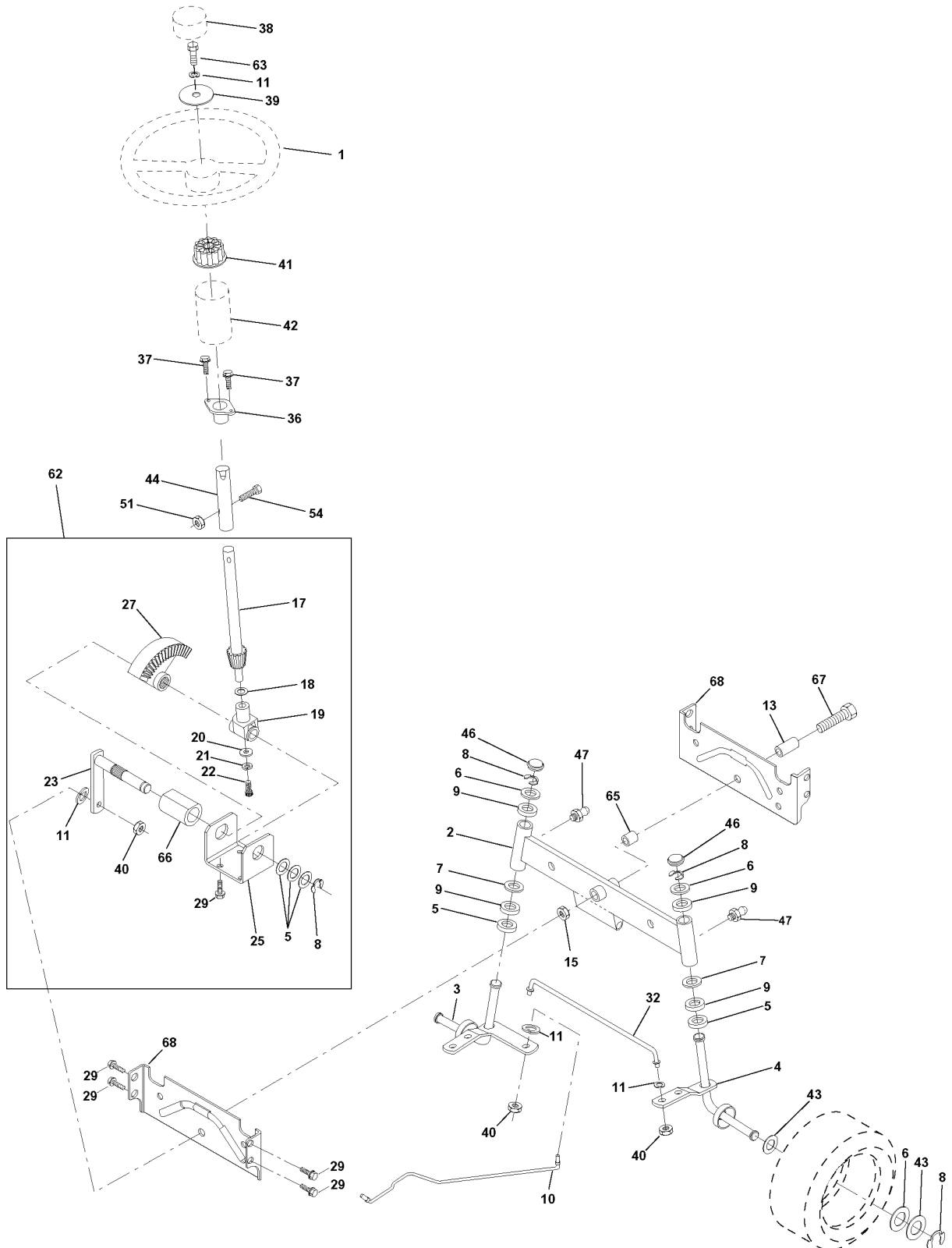


---

| REF. | PART NO.  | DESCRIPTION        | REMARK | QTY. | KIT |
|------|-----------|--------------------|--------|------|-----|
| 1    | 532140310 | CONTROL            |        | 1    |     |
| 2    | 817720410 | SCREW              |        | 1    |     |
| 4    | 532137352 | MUFFLER            |        | 1    |     |
| 13   | 532272293 | GASKET             |        | 1    |     |
| 14   | 813280324 | PIPE               |        | 1    |     |
| 15   | 813200300 | ELBOW              |        | 1    |     |
| 16   | 811050600 | WASHER             |        | 1    |     |
| 23   | 532156123 | PROTECTOR          |        | 1    |     |
| 29   | 532137180 | SPARK ARRESTER KIT |        | 1    |     |
| 31   | 532140280 | TANK               |        | 1    |     |
| 32   | 532140527 | FUEL CAP           |        | 1    |     |
| 33   | 532123487 | HOSE CLAMP         |        | 1    |     |
| 35   | 817490512 | SCREW              |        | 1    |     |
| 37   | 532137040 | HOSE               |        | 1    |     |
| 40   | 532124028 | BUSHING            |        | 1    |     |
| 44   | 817490412 | SCREW              |        | 1    |     |
| 46   | 819091416 | WASHER             |        | 1    |     |
| 62   | 810040500 | WASHER             |        | 1    |     |
| 72   | 871070512 | BOLT               |        | 1    |     |
| 78   | 817490620 | SCREW              |        | 1    |     |
| 81   | 532128861 | NUT                |        | 1    |     |

# REPAIR PARTS

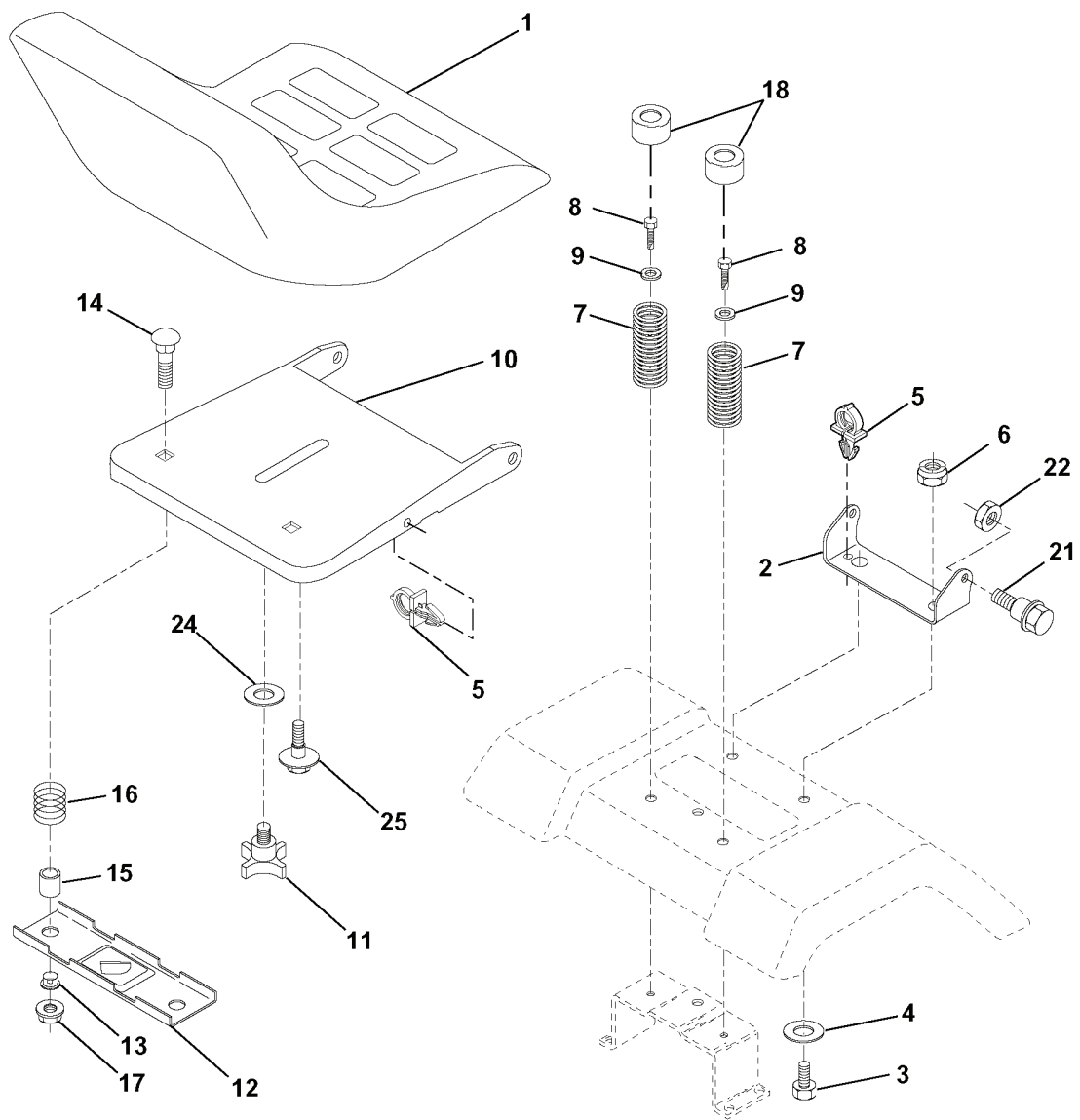
TRACTOR - MODEL NO. LTH145 (954140006A), PRODUCT NO. 954 14 00-06  
STEERING ASSEMBLY



| REF. | PART NO.  | DESCRIPTION        | REMARK | QTY. | KIT |
|------|-----------|--------------------|--------|------|-----|
| 1    | 532124415 | STEERING WHEEL     |        | 1    |     |
| 2    | 532137094 | SHAFT              |        | 1    |     |
| 3    | 532154920 | SPINDLE            |        | 1    |     |
| 4    | 532154921 | SPINDLE            |        | 1    |     |
| 5    | 532124931 | WASHER             |        | 1    |     |
| 6    | 532121748 | WASHER             |        | 1    |     |
| 7    | 819272016 | WASHER             |        | 1    |     |
| 8    | 812000029 | RETAINER RING      |        | 1    |     |
| 9    | 532124937 | BEARING COL. STRG. |        | 1    |     |
| 10   | 532154432 | LINK               |        | 1    |     |
| 11   | 810040600 | WASHER             |        | 1    |     |
| 13   | 532154779 | SPACER             |        | 1    |     |
| 15   | 873901000 | NUT                |        | 1    |     |
| 17   | 532156546 | SHAFT              |        | 1    |     |
| 18   | 532057079 | WASHER             |        | 1    |     |
| 19   | 532124035 | BRACKET            |        | 1    |     |
| 20   | 532126684 | SHIM               |        | 1    |     |
| 21   | 810040400 | WASHER             |        | 1    |     |
| 22   | 871100410 | SCREW              |        | 1    |     |
| 23   | 532127501 | SHAFT              |        | 1    |     |
| 25   | 532154406 | BRACKET            |        | 1    |     |
| 27   | 532136874 | ECCENTRIC DISC     |        | 1    |     |
| 29   | 817490612 | SCREW              |        | 1    |     |
| 32   | 532137347 | ROD                |        | 1    |     |
| 36   | 532155099 | BUSHING            |        | 1    |     |
| 37   | 532152927 | SCREW              |        | 1    |     |
| 38   | 532124416 | INSERT             |        | 1    |     |
| 39   | 819133808 | WASHER             |        | 1    |     |
| 40   | 532124701 | NUT                |        | 1    |     |
| 41   | 532100711 | ADAPTER            |        | 1    |     |
| 42   | 532155092 | SLEEVE             |        | 1    |     |
| 43   | 532121749 | WASHER             |        | 1    |     |
| 44   | 532153720 | STEERING PINION    |        | 1    |     |
| 46   | 532121232 | HUB CAP            |        | 1    |     |
| 47   | 532124836 | NIPPLE             |        | 1    |     |
| 51   | 873800500 | LOCK NUT           |        | 1    |     |
| 54   | 874780520 | BOLT               |        | 1    |     |
| 62   | 532156594 | STEERING GEAR, KIT |        | 1    |     |
| 63   | 874780616 | BOLT               |        | 1    |     |
| 65   | 532154780 | BUSHING            |        | 1    |     |
| 66   | 532154404 | BUSHING            |        | 1    |     |
| 67   | 874781044 | SCREW              |        | 1    |     |
| 68   | 532154429 | SHAFT              |        | 1    |     |

# REPAIR PARTS

TRACTOR - MODEL NO. LTH145 (954140006A), PRODUCT NO. 954 14 00-06  
SEAT ASSEMBLY

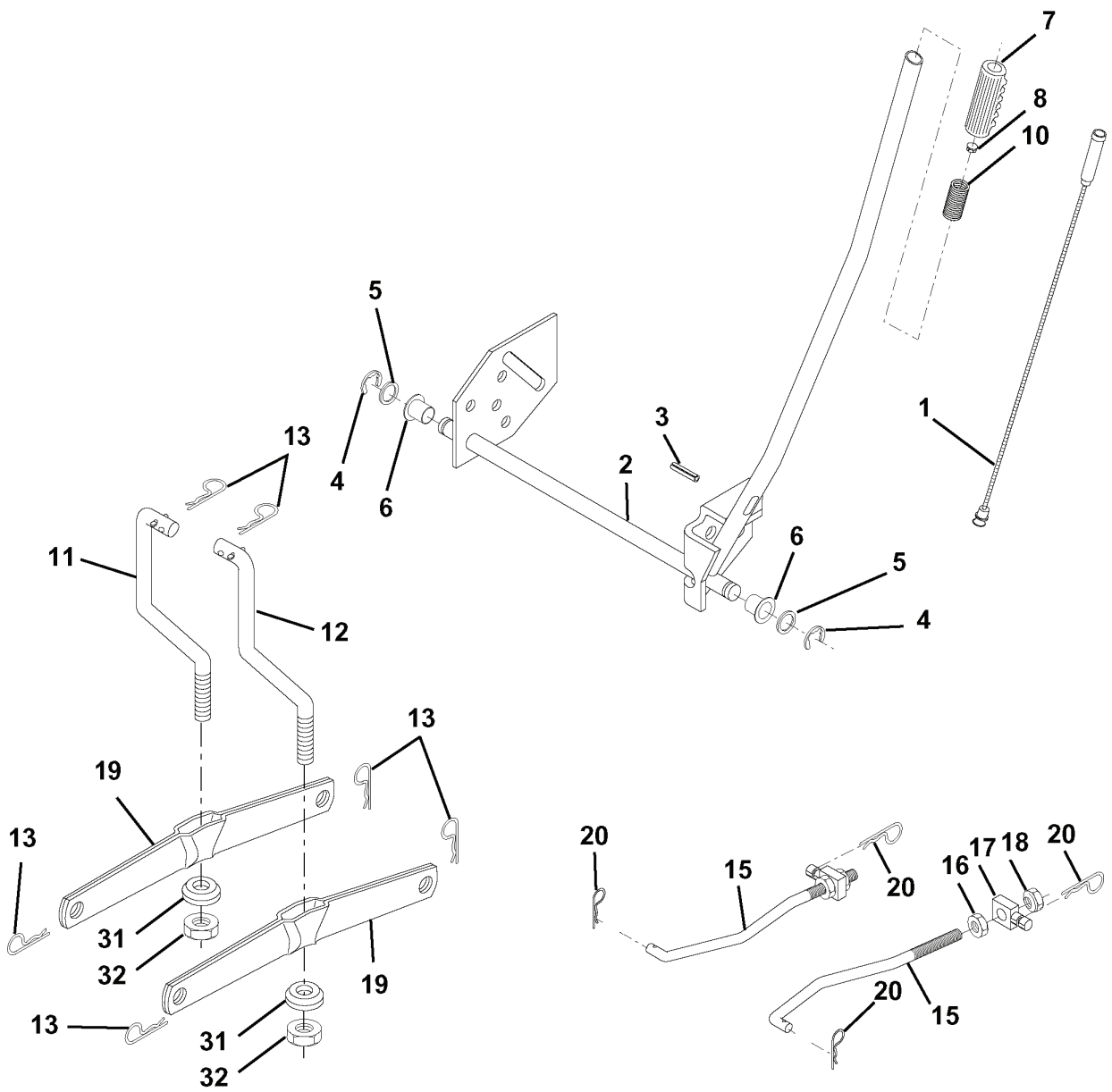


---

| REF. | PART NO.  | DESCRIPTION | REMARK | QTY. | KIT |
|------|-----------|-------------|--------|------|-----|
| 1    | 532140838 | SEAT        |        | 1    |     |
| 2    | 532140551 | BRACKET     |        | 1    |     |
| 3    | 874760616 | BOLT        |        | 1    |     |
| 4    | 819131610 | WASHER      |        | 1    |     |
| 5    | 532145006 | CLIP        |        | 1    |     |
| 6    | 873800600 | NUT         |        | 1    |     |
| 7    | 532124181 | SPRING      |        | 1    |     |
| 8    | 817490616 | SCREW       |        | 1    |     |
| 9    | 819131614 | WASHER      |        | 1    |     |
| 10   | 532155925 | BRACKET     |        | 1    |     |
| 11   | 532120068 | KNOB        |        | 1    |     |
| 12   | 532121246 | BRACKET     |        | 1    |     |
| 13   | 532121248 | BUSHING     |        | 1    |     |
| 14   | 872050411 | BOLT        |        | 1    |     |
| 15   | 532134300 | SPACER      |        | 1    |     |
| 16   | 532121250 | SPRING      |        | 1    |     |
| 17   | 532123976 | LOCKNUT     |        | 1    |     |
| 18   | 532124238 | HUB CAP     |        | 1    |     |
| 21   | 532153236 | SCREW       |        | 1    |     |
| 22   | 873800500 | LOCK NUT    |        | 1    |     |
| 24   | 819171912 | WASHER      |        | 1    |     |
| 25   | 532127018 | BOLT        |        | 1    |     |

# REPAIR PARTS

TRACTOR - MODEL NO. LTH145 (954140006A), PRODUCT NO. 954 14 00-06  
MOWER LIFT



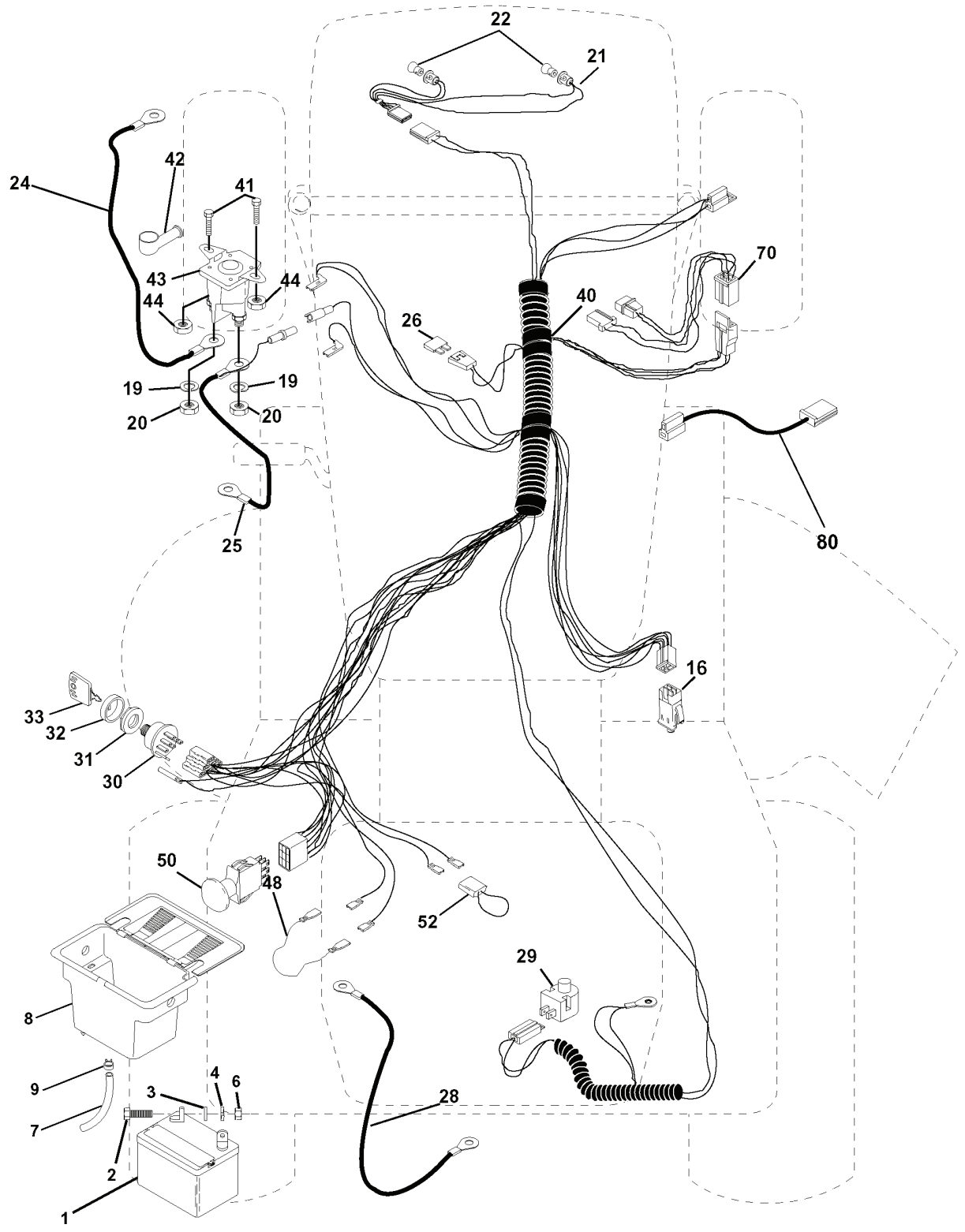
---

| REF. | PART NO.  | DESCRIPTION         | REMARK | QTY. | KIT |
|------|-----------|---------------------|--------|------|-----|
| 1    | 532136973 | WIRE                |        | 1    |     |
| 2    | 532145117 | LEVER               |        | 1    |     |
| 3    | 532105767 | PIN RETAINING SCREW |        | 1    |     |
| 4    | 812000002 | RETAINER RING       |        | 1    |     |
| 5    | 819211621 | WASHER              |        | 1    |     |
| 6    | 532120183 | BEARING             |        | 1    |     |
| 7    | 532109413 | GRIP                |        | 1    |     |
| 8    | 532124526 | KNOB                |        | 1    |     |
| 10   | 532122512 | SPRING              |        | 1    |     |
| 11   | 532139865 | LINK                |        | 1    |     |
| 12   | 532139866 | LINK                |        | 1    |     |
| 13   | 532124670 | RETAINER RING       |        | 1    |     |
| 15   | 532127218 | LINK                |        | 1    |     |
| 16   | 873350800 | NUT                 |        | 1    |     |
| 17   | 532130171 | BRACKET             |        | 1    |     |
| 18   | 873800800 | NUT                 |        | 1    |     |
| 19   | 532139868 | LEVER               |        | 1    |     |
| 20   | 532124660 | CIRCLIP             |        | 1    |     |
| 31   | 532140302 | BEARING             |        | 1    |     |
| 32   | 873540600 | NUT                 |        | 1    |     |

# REPAIR PARTS

TRACTOR - MODEL NO. LTH145 (954140006A), PRODUCT NO. 954 14 00-06

## ELECTRICAL

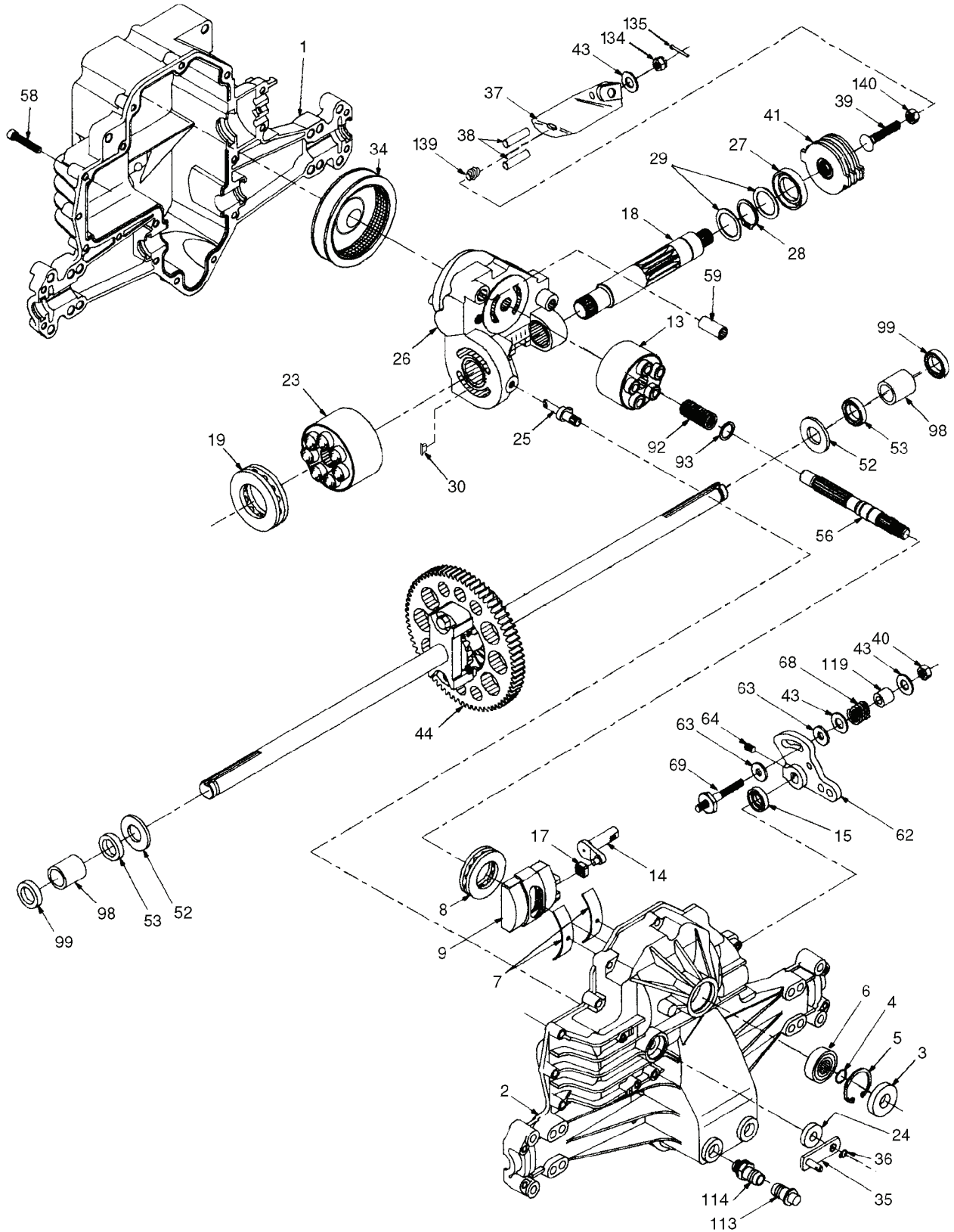




| REF. | PART NO.  | DESCRIPTION | REMARK | QTY. | KIT |
|------|-----------|-------------|--------|------|-----|
| 1    | 532146139 | BATTERY     |        | 1    |     |
| 2    | 874760412 | BOLT        |        | 1    |     |
| 3    | 819091016 | WASHER      |        | 1    |     |
| 4    | 810040400 | WASHER      |        | 1    |     |
| 6    | 873220400 | NUT         |        | 1    |     |
| 7    | 532109238 | HOSE        |        | 1    |     |
| 8    | 532156417 | BOX         |        | 1    |     |
| 9    | 532109596 | CLAMP       |        | 1    |     |
| 16   | 532153664 | SWITCH      |        | 1    |     |
| 19   | 810090400 | WASHER      |        | 1    |     |
| 20   | 873350400 | NUT         |        | 1    |     |
| 21   | 532136850 | HARNESS     |        | 1    |     |
| 22   | 532004152 | BULB        |        | 1    |     |
| 24   | 532124780 | CABLE       |        | 1    |     |
| 25   | 532146147 | CABLE       |        | 1    |     |
| 26   | 532108824 | FUSE        |        | 1    |     |
| 28   | 532124773 | CABLE       |        | 1    |     |
| 29   | 532121305 | SWITCH      |        | 1    |     |
| 30   | 532140301 | SWITCH      |        | 1    |     |
| 31   | 532124211 | NUT         |        | 1    |     |
| 32   | 532141226 | COVER       |        | 1    |     |
| 33   | 532122147 | KEY         |        | 1    |     |
| 40   | 532156443 | CABLE ASSY  |        | 1    |     |
| 41   | 871110408 | BOLT        |        | 1    |     |
| 42   | 532131563 | COVER       |        | 1    |     |
| 43   | 532145673 | SOLENOID    |        | 1    |     |
| 44   | 873640400 | NUT         |        | 1    |     |
| 48   | 532140844 | ADAPTER     |        | 1    |     |
| 50   | 532154959 | SWITCH      |        | 1    |     |
| 52   | 532141940 | WIRE        |        | 1    |     |
| 70   | 532140422 | HARNESS     |        | 1    |     |
| 80   | 532146685 | CABLE ASSY  |        | 1    |     |

# REPAIR PARTS

TRACTOR - MODEL NO. LTH145 (954140006A), PRODUCT NO. 954 14 00-06  
HYDRO GEAR TRANSAXLE - MODEL NUMBER 319-0500

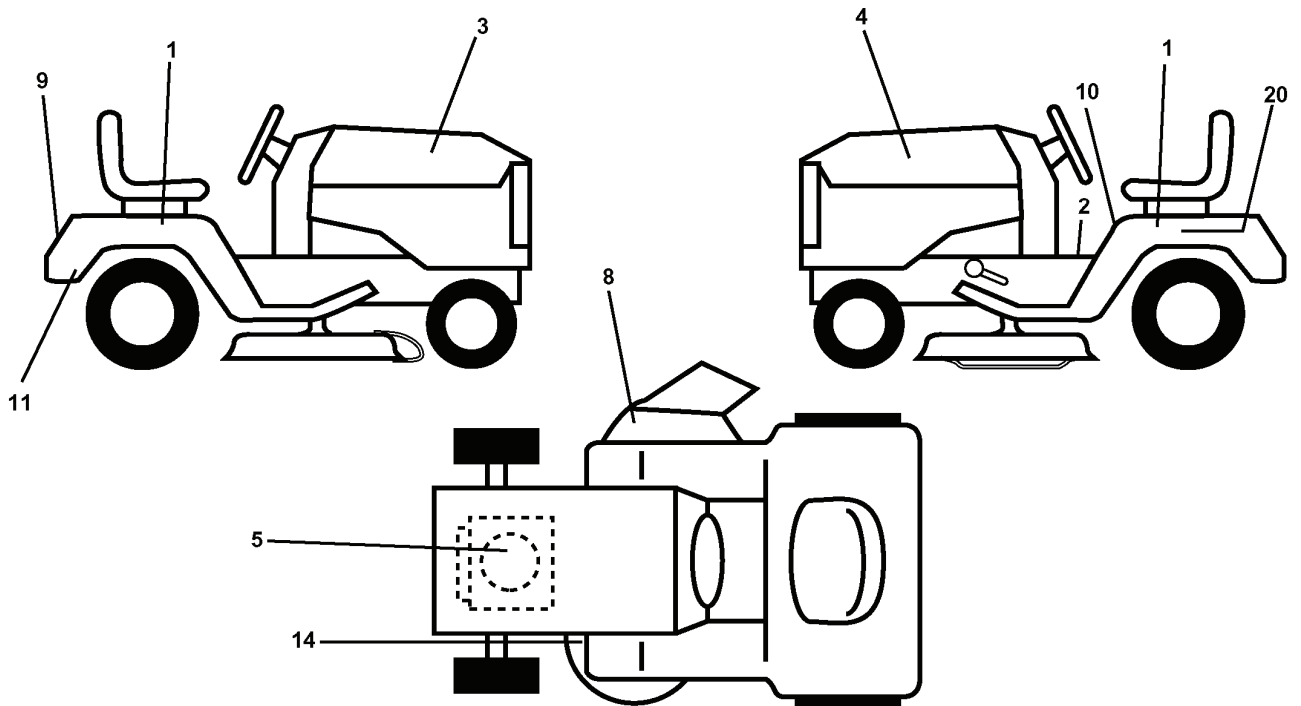


| REF. | PART NO.  | DESCRIPTION            | REMARK | QTY. | KIT |
|------|-----------|------------------------|--------|------|-----|
| 1    | 532142986 | HOUSING                |        | 1    |     |
| 2    | 532142987 | HOUSING                |        | 1    |     |
| 3    | 532142932 | SEALING                |        | 1    |     |
| 4    | 532142928 | RETAINER RING          |        | 1    |     |
| 5    | 532142933 | SLEEVE                 |        | 1    |     |
| 6    | 532142934 | BEARING                |        | 1    |     |
| 7    | 532142935 | BEARING                |        | 1    |     |
| 8    | 532150771 | BEARING                |        | 1    |     |
| 9    | 532142937 | PLATE                  |        | 1    |     |
| 13   | 532142938 | BLOCK                  |        | 1    |     |
| 14   | 532142939 | LEVER                  |        | 1    |     |
| 15   | 532142940 | SEALING                |        | 1    |     |
| 17   | 532142941 | GUIDE                  |        | 1    |     |
| 18   | 532150772 | SHAFT                  |        | 1    |     |
| 19   | 532150773 | BEARING                |        | 1    |     |
| 23   | 532142944 | BLOCK                  |        | 1    |     |
| 24   | 532142945 | SEALING                |        | 1    |     |
| 25   | 532142946 | VALVE                  |        | 1    |     |
| 26   | 532150774 | PUMP                   |        | 1    |     |
| 27   | 532142948 | SEALING                |        | 1    |     |
| 28   | 532142949 | RING                   |        | 1    |     |
| 29   | 532142950 | WASHER                 |        | 1    |     |
| 30   | 532150787 | PLATE                  |        | 1    |     |
| 34   | 532142951 | OIL FILTER             |        | 1    |     |
| 35   | 532142952 | LEVER                  |        | 1    |     |
| 36   | 532142953 | RING                   |        | 1    |     |
| 37   | 532142954 | LEVER                  |        | 1    |     |
| 38   | 532142955 | PIN RETAINING SCREW    |        | 1    |     |
| 39   | 532150777 | BOLT                   |        | 1    |     |
| 40   | 532150778 | NUT                    |        | 1    |     |
| 41   | 532142958 | BRAKE ROTOR/STATOR KIT |        | 1    |     |
| 43   | 532142884 | WASHER                 |        | 1    |     |
| 44   | 532142990 | DIFFERENTIAL           |        | 1    |     |
| 52   | 532142991 | WASHER                 |        | 1    |     |
| 53   | 532142961 | SEALING                |        | 1    |     |
| 56   | 532142963 | SHAFT                  |        | 1    |     |
| 58   | 532142964 | BOLT                   |        | 1    |     |
| 59   | 532142965 | PIN RETAINING SCREW    |        | 1    |     |
| 62   | 532142966 | LEVER                  |        | 1    |     |
| 63   | 532142967 | DAMPER                 |        | 1    |     |
| 64   | 532142920 | SCREW                  |        | 1    |     |
| 68   | 532142969 | SPRING                 |        | 1    |     |
| 69   | 532144610 | STUD                   |        | 1    |     |
| 92   | 532142977 | SPRING                 |        | 1    |     |
| 93   | 532142978 | WASHER                 |        | 1    |     |
| 98   | 532142993 | BEARING                |        | 1    |     |
| 99   | 532142976 | SEALING                |        | 1    |     |
| 113  | 532142917 | VALVE                  |        | 1    |     |
| 114  | 532142918 | NIPPLE                 |        | 1    |     |
| 119  | 532142980 | SPACER                 |        | 1    |     |
| 134  | 532144607 | NUT                    |        | 1    |     |
| 135  | 532144608 | PIN RETAINING SCREW    |        | 1    |     |
| 139  | 532150775 | SPRING                 |        | 1    |     |
| 140  | 532150776 | NUT                    |        | 1    |     |

# REPAIR PARTS

TRACTOR - MODEL NO. LTH145 (954140006A), PRODUCT NO. 954 14 00-06

## DECALS



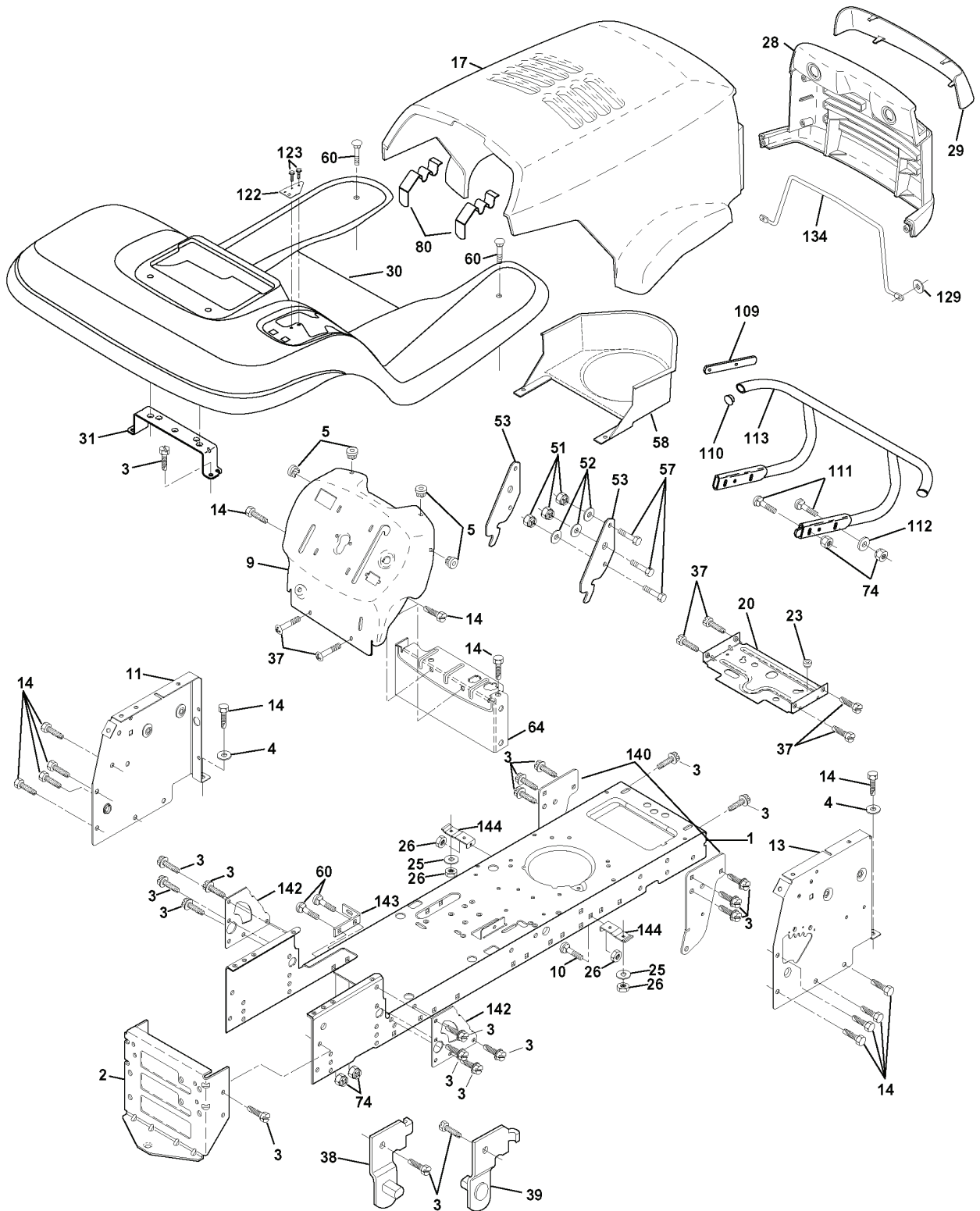
---

| REF. | PART NO.  | DESCRIPTION          | REMARK | QTY. | KIT |
|------|-----------|----------------------|--------|------|-----|
| 1    | 532157007 | DECAL                |        | 1    |     |
| 2    | 532157032 | DECAL                |        | 1    |     |
| 8    | 532137259 | DECAL                |        | 1    |     |
| 9    | 532150617 | DECAL                |        | 1    |     |
| 10   | 532157140 | DECAL                |        | 1    |     |
| 11   | 532142341 | DECAL                |        | 1    |     |
| 14   | 532136832 | DECAL                |        | 1    |     |
| 20   | 532146451 | DECAL                |        | 1    |     |
| --   | 532154515 | FOOT REST            |        | 1    |     |
| --   | 532154516 | FOOT REST            |        | 1    |     |
| --   | 532138311 | DECAL                |        | 1    |     |
| --   | LSB42     |                      |        | 1    |     |
| --   | LC05      | WHEEL WEIGHTS (PAIR) |        | 1    |     |
| --   | LBD48     | SNOW BLADE           |        | 1    |     |

# REPAIR PARTS

TRACTOR - MODEL NO. LTH145 (954140006A), PRODUCT NO. 954 14 00-06

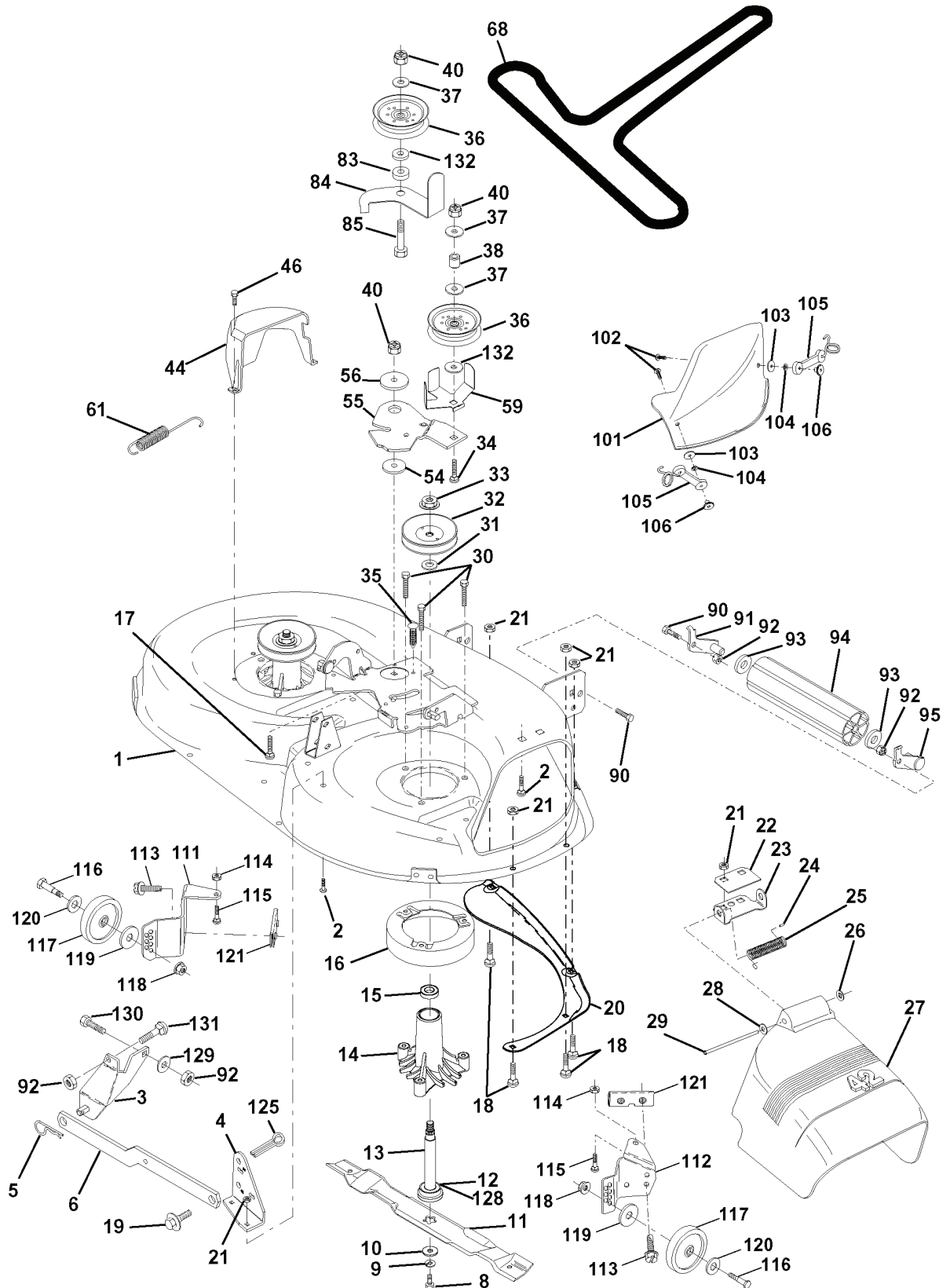
## CHASSIS AND ENCLOSURES



| REF. | PART NO.  | DESCRIPTION                    | REMARK | QTY. | KIT |
|------|-----------|--------------------------------|--------|------|-----|
| 1    | 532153871 | FRAME                          |        | 1    |     |
| 2    | 532140356 | DRAWBAR                        |        | 1    |     |
| 3    | 817490612 | SCREW                          |        | 1    |     |
| 4    | 819131216 | WASHER                         |        | 1    |     |
| 5    | 532155272 | DAMPER                         |        | 1    |     |
| 10   | 872140608 | BOLT                           |        | 1    |     |
| 11   | 532155927 | PLATE                          |        | 1    |     |
| 13   | 532157262 | PLATE                          |        | 1    |     |
| 14   | 817490608 | SCREW                          |        | 1    |     |
| 17   | 532156051 | HOOD                           |        | 1    |     |
| 20   | 532156437 | PLATE                          |        | 1    |     |
| 23   | 532124028 | BUSHING                        |        | 1    |     |
| 25   | 819131312 | WASHER                         |        | 1    |     |
| 26   | 873800600 | NUT                            |        | 1    |     |
| 28   | 532149776 | GRILL                          |        | 1    |     |
| 29   | 532149777 | LENS                           |        | 1    |     |
| 30   | 532156489 | GUARD                          |        | 1    |     |
| 31   | 532139976 | BRACKET                        |        | 1    |     |
| 37   | 817490508 | SCREW                          |        | 1    |     |
| 38   | 532139886 | BRACKET                        |        | 1    |     |
| 39   | 532139887 | BRACKET                        |        | 1    |     |
| 51   | 873800400 | NUT                            |        | 1    |     |
| 52   | 819091416 | WASHER                         |        | 1    |     |
| 53   | 532150067 | BRACKET                        |        | 1    |     |
| 57   | 874780412 | BOLT                           |        | 1    |     |
| 58   | 532150127 | AIR CONDUCTOR                  |        | 1    |     |
| 60   | 872140606 | BOLT                           |        | 1    |     |
| 64   | 532154798 | PANEL                          |        | 1    |     |
| 74   | 873680600 | NUT                            |        | 1    |     |
| 80   | 532155854 | RETAINER                       |        | 1    |     |
| 109  | 532141461 | SUPPORT PARE-CHOCS (EXT)141461 |        | 1    |     |
| 110  | 532143679 | PLUG                           |        | 1    |     |
| 111  | 872140612 | BOLT                           |        | 1    |     |
| 112  | 819131316 | WASHER                         |        | 1    |     |
| 129  | 819091016 | WASHER                         |        | 1    |     |
| 134  | 532150132 | ROD                            |        | 1    |     |
| 140  | 532150556 | BRACKET                        |        | 1    |     |
| 142  | 532156095 | PLATE                          |        | 1    |     |
| 143  | 532154966 | BRACKET                        |        | 1    |     |
| 144  | 532154207 | HOLDER                         |        | 1    |     |
| 146  | 532154334 | SCREW                          |        | 1    |     |
| --   | 532005479 | PLUG                           |        | 1    |     |

# REPAIR PARTS

TRACTOR - MODEL NO. LTH145 (95414006A) PRODUCT NO. 954 1400-6  
MOWER DECK





| REF. | PART NO.  | DESCRIPTION         | REMARK | QTY. | KIT |
|------|-----------|---------------------|--------|------|-----|
| 1    | 532144393 | COVER               |        | 1    |     |
| 2    | 872140506 | BOLT                |        | 1    |     |
| 3    | 532138017 | BRACKE              |        | 1    |     |
| 4    | 532138440 | BRACKET             |        | 1    |     |
| 5    | 532124670 | RETAINER RING       |        | 1    |     |
| 6    | 532130832 | LEVER               |        | 1    |     |
| 8    | 532850857 | BOLT                |        | 1    |     |
| 9    | 810030600 | WASHER              |        | 1    |     |
| 10   | 532140296 | WASHER              |        | 1    |     |
| 11   | 532134149 | RIDE ON BLADE       |        | 1    |     |
| 12   | 532129895 | BEARING             |        | 1    |     |
| 13   | 532137645 | SHAFT               |        | 1    |     |
| 14   | 532128774 | BEARING HOUSING     |        | 1    |     |
| 15   | 532110485 | BEARING             |        | 1    |     |
| 16   | 532140329 | STRIPPER            |        | 1    |     |
| 17   | 872110618 | BOLT                |        | 1    |     |
| 18   | 872140505 | BOLT                |        | 1    |     |
| 19   | 532132827 | SPEC. BOLT          |        | 1    |     |
| 20   | 532136888 | BAFFLE              |        | 1    |     |
| 21   | 873680500 | NUT                 |        | 1    |     |
| 22   | 532134753 | PLATE               |        | 1    |     |
| 23   | 532131267 | BRACKET             |        | 1    |     |
| 24   | 532105304 | HUB CAP             |        | 1    |     |
| 25   | 532123713 | SPRING              |        | 1    |     |
| 26   | 532110452 | NUT                 |        | 1    |     |
| 27   | 532130968 | DEFLECTOR           |        | 1    |     |
| 28   | 819111016 | WASHER              |        | 1    |     |
| 29   | 532131491 | SHAFT               |        | 1    |     |
| 30   | 532138776 | SCREW               |        | 1    |     |
| 31   | 532129963 | WASHER              |        | 1    |     |
| 32   | 532153535 | PULLEY              |        | 1    |     |
| 33   | 532137266 | NUT                 |        | 1    |     |
| 34   | 872110622 | BOLT                |        | 1    |     |
| 35   | 532133835 | XMAS TREE FASTNER   |        | 1    |     |
| 36   | 532131494 | PULLEY              |        | 1    |     |
| 37   | 819131316 | WASHER              |        | 1    |     |
| 38   | 532132823 | IDLER SPACER        |        | 1    |     |
| 40   | 873680600 | NUT                 |        | 1    |     |
| 44   | 532140088 | GUARD               |        | 1    |     |
| 46   | 532137729 | SCREW               |        | 1    |     |
| 54   | 532133943 | WASHER              |        | 1    |     |
| 55   | 532140084 | LEVER               |        | 1    |     |
| 56   | 532122052 | SPACER              |        | 1    |     |
| 59   | 532141043 | GUARD               |        | 1    |     |
| 61   | 532131950 | SPRING              |        | 1    |     |
| 68   | 532144200 | BELT                |        | 1    |     |
| 83   | 532120958 | WASHER              |        | 1    |     |
| 84   | 532156084 | TENSIONER           |        | 1    |     |
| 85   | 872140618 | BOLT                |        | 1    |     |
| 90   | 874760616 | BOLT                |        | 1    |     |
| 91   | 532132274 | BRACKET             |        | 1    |     |
| 92   | 873800600 | NUT                 |        | 1    |     |
| 93   | 819171416 | WASHER              |        | 1    |     |
| 94   | 532132264 | ROLLER              |        | 1    |     |
| 95   | 532132273 | BRACKET             |        | 1    |     |
| 101  | 532136420 | COVER               |        | 1    |     |
| 102  | 871161010 | SCREW               |        | 1    |     |
| 103  | 819061216 | WASHER              |        | 1    |     |
| 104  | 810071000 | WASHER              |        | 1    |     |
| 105  | 532130758 | LATCH               |        | 1    |     |
| 106  | 532125004 | NUT                 |        | 1    |     |
| 111  | 532155197 | BRACKET             |        | 1    |     |
| 112  | 532155198 | BRACKET             |        | 1    |     |
| 113  | 817490512 | SCREW               |        | 1    |     |
| 114  | 873510500 | NUT                 |        | 1    |     |
| 115  | 872110504 | BOLT                |        | 1    |     |
| 116  | 532124842 | BOLT                |        | 1    |     |
| 117  | 532105455 | WHEEL GAUGE         |        | 1    |     |
| 118  | 873930600 | NUT                 |        | 1    |     |
| 119  | 819121414 | WASHER              |        | 1    |     |
| 120  | 819171512 | WASHER              |        | 1    |     |
| 121  | 532143723 | BRACKET             |        | 1    |     |
| 125  | 876020816 | PIN RETAINING SCREW |        | 1    |     |
| 128  | 532153390 | GASKET              |        | 1    |     |
| 129  | 819131312 | WASHER              |        | 1    |     |
| 130  | 874780616 | BOLT                |        | 1    |     |
| 131  | 872140608 | BOLT                |        | 1    |     |
| --   | 532145452 | DECK SHELL          |        | 1    |     |

---

| REF. | PART NO.  | DESCRIPTION | REMARK | QTY. | KIT |
|------|-----------|-------------|--------|------|-----|
| --   | 532130794 | MANDREL     |        | 1    |     |