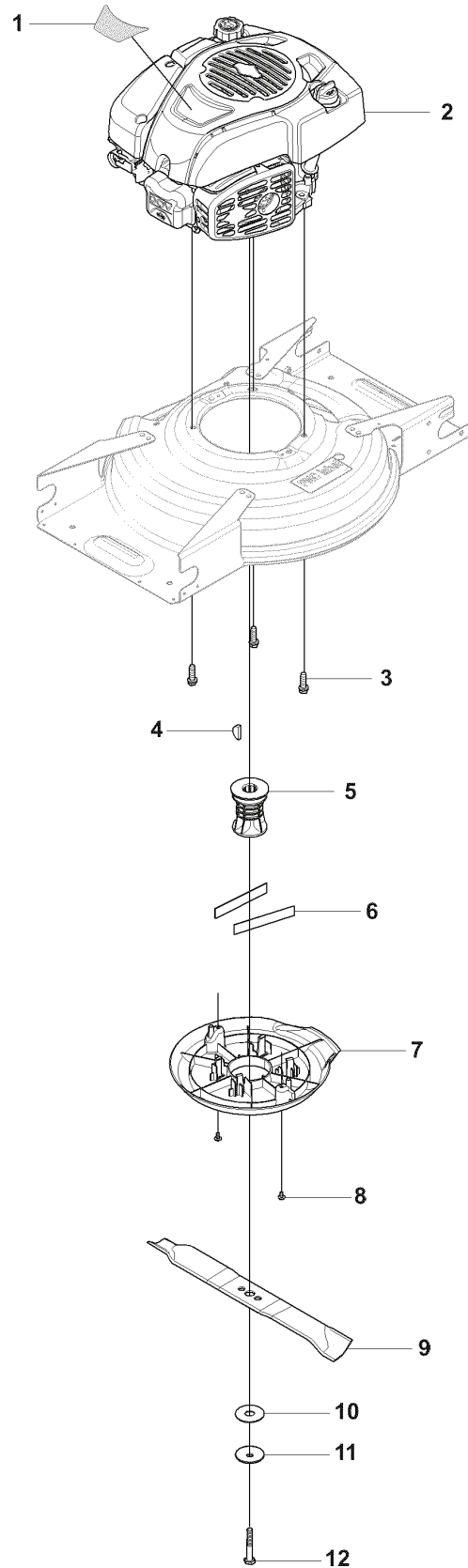


M148SV, 966836801, 2009-03

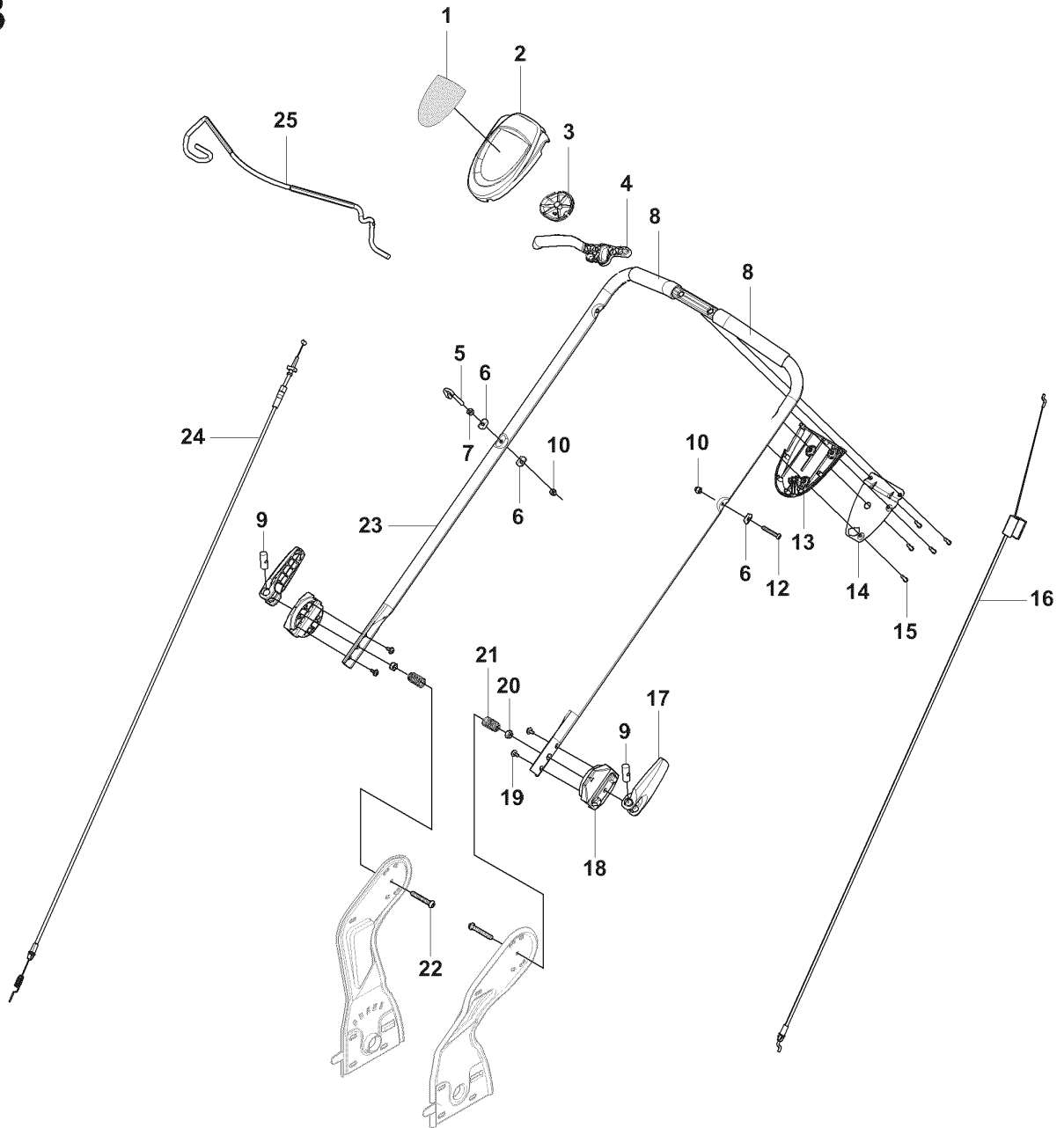
SPARE PARTS LIST

C



REF.	PART NO.	DESCRIPTION	REMARK	QTY.	KIT
1	505425701	LABEL		1	
3	531212851	SCREW		3	
4	531204907	KEY		1	
5	531207848	SUPPORT		1	
6	504624201	WEAR PLATE		2	
7	501968101	BELT COVER		1	
8	505524601	SCREW ITXPANTT		2	
9	505524101	MOWER BLADE		1	
10	531207243	WASHER		1	
11	531207237	WASHER		1	
12	531206649	SCREW		1	

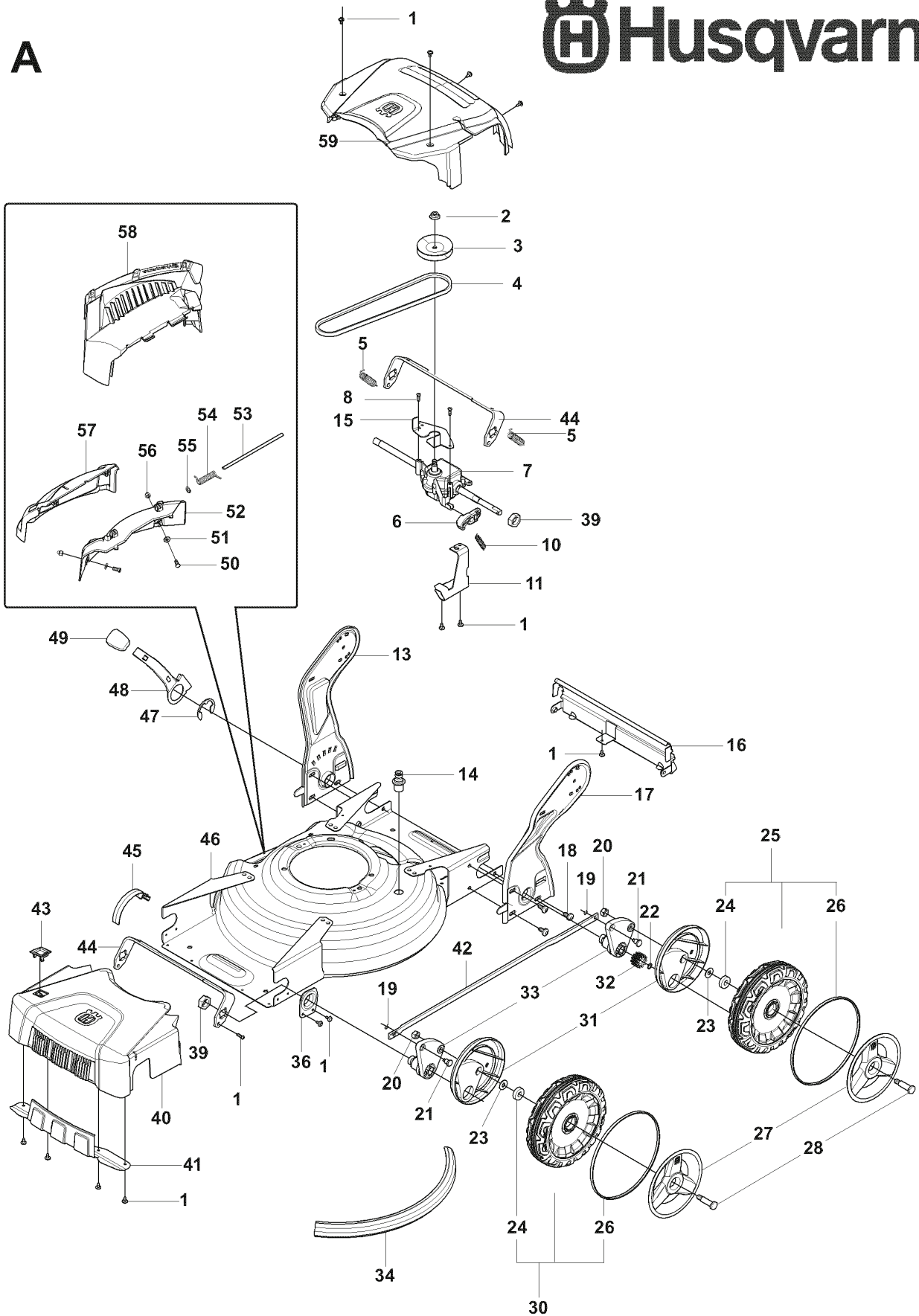
B



REF.	PART NO.	DESCRIPTION	REMARK	QTY.	KIT
1	544928101	LABEL		1	
2	532188278	PROTECTOR		1	
3	532406262	PULLEY		1	
4	532190283	LEVER		1	
5	531205169	PIN RETAINING SCREW		1	
6	531204961	WASHER		3	
7	531207165	NUT		1	
8	544913401	TUBE		2	
9	505531101	PEN		2	
10	502305001	CAP NUT		2	
11	505531101	PEN		2	
12	505557701	SCREW ITPANTT		1	
13	532188279	COVER		1	
14	532187097	BRACKET		1	
15	502435301	SCREW ITPANT		5	
16	531213522	BRAKE WIRE		1	
17	504138301	LEVER		1	
18	504138901	ADJUSTMENT DISC		2	
19	502435201	SCREW ITPANTT		4	
20	732251871	HEXAGON LOCKING NUT		2	
21	504638101	SPRING		2	
22	505524601	SCREW ITPANTT		2	
23	504070801	HANDLE		1	
24	544907905	CABLE		1	
25	502289301	BAIL ARM		1	



A



REF.	PART NO.	DESCRIPTION	REMARK	QTY.	KIT
1	502435301	SCREW ITXPANT		17	
4	501986601	BELT		1	
5	505420601	SPRING		2	
8	502435301	SCREW ITXPANT		2	
10	504048701	SPRING		1	
11	504048601	BRACKET		1	
13	504000001	HANDLE SUPPORT		1	
14	531205848	CONNECTOR		1	
15	504048501	BELT GUIDE		1	
16	504641501	SKID PLATE		1	
17	504003201	HANDLE SUPPORT		1	
18	504641602	SCREW ITXPANTT		6	
19	735310921	E-CLIP		2	
20	731232001	HEXAGON NUT		4	
21	504625001	SHAFT		2	
22	735313621	LOCKWASHER		2	
23	505221401	WASHER		4	
24	738210104	BALL BEARING		8	
25	544916902	WHEEL ASSY		2	
26	544432801	O-RING		4	
27	544443901	HUB CAP		4	
28	544453401	SCREW		4	
30	502496801	WHEEL ASSY		2	
31	504624101	DUST COVER		4	
32	544342301	PINION		2	
33	504614401	LINK ARM		4	
34	504695001	BUMPER		1	
36	504624901	BRACKET		2	
39	505521001	NUT		4	
40	502624401	FRONT COVER		1	
41	502625401	SKID PLATE		1	
42	504615501	ROD		1	
43	504627501	INDEX WINDOW		1	
44	504614601	TRANSVERSAL ROD		2	
45	504627601	INDEX SCALE		1	
46	501375501	CHASSIS		1	
47	504702801	LOCK RING		1	
48	504838201	LEVER		1	
49	504838301	KNOB		1	
50	505156101	SCREW		2	
51	505198401	WASHER		2	
52	504584601	FRAME		1	
53	504585001	AXLE		1	
54	504585301	SPRING		1	
55	735584101	WASHER		1	
56	502305001	CAP NUT		2	
57	504584501	MULCH DOOR		1	
58	510047601	DEFLECTOR ASSY		1	
59	501355001	REAR COVER		1	