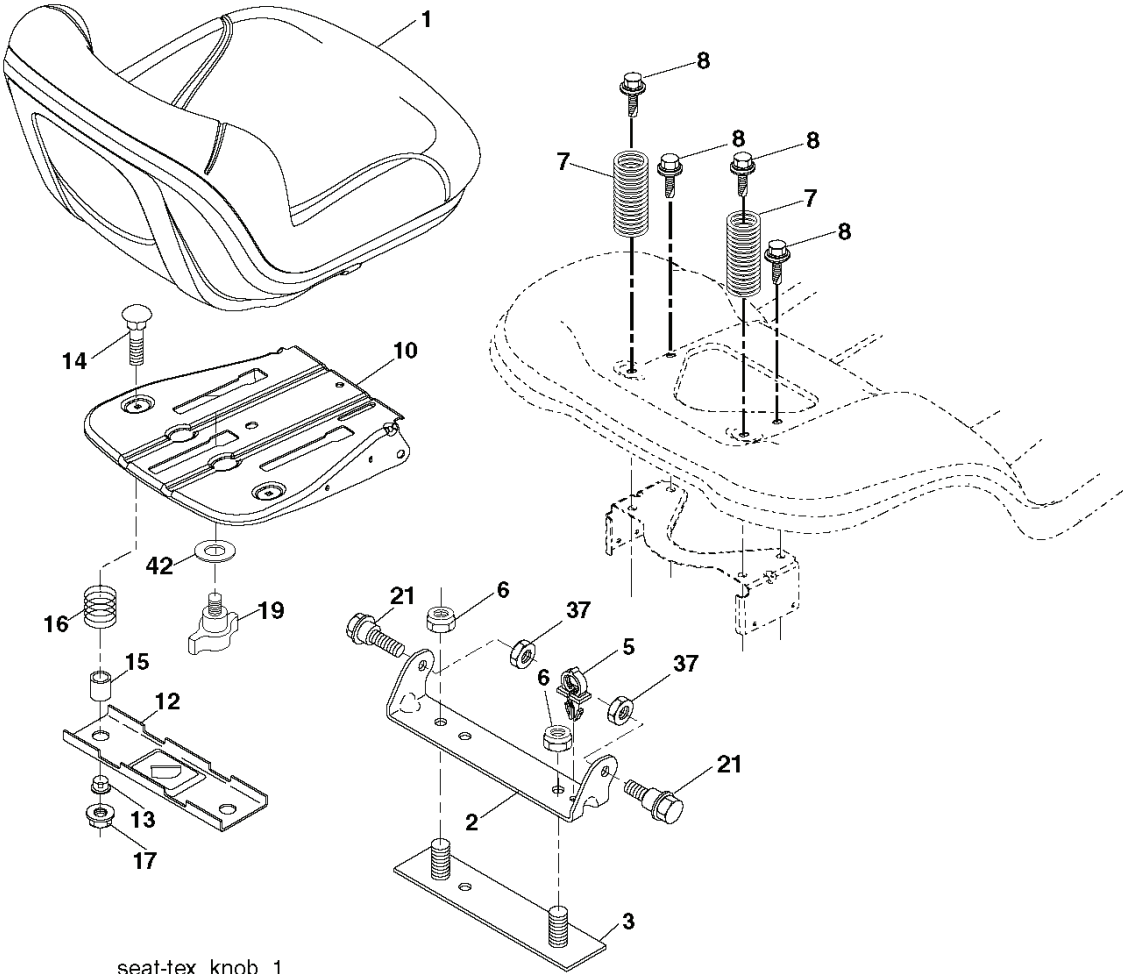


YT16542, 96043002406, 2009-04

SPARE PARTS LIST

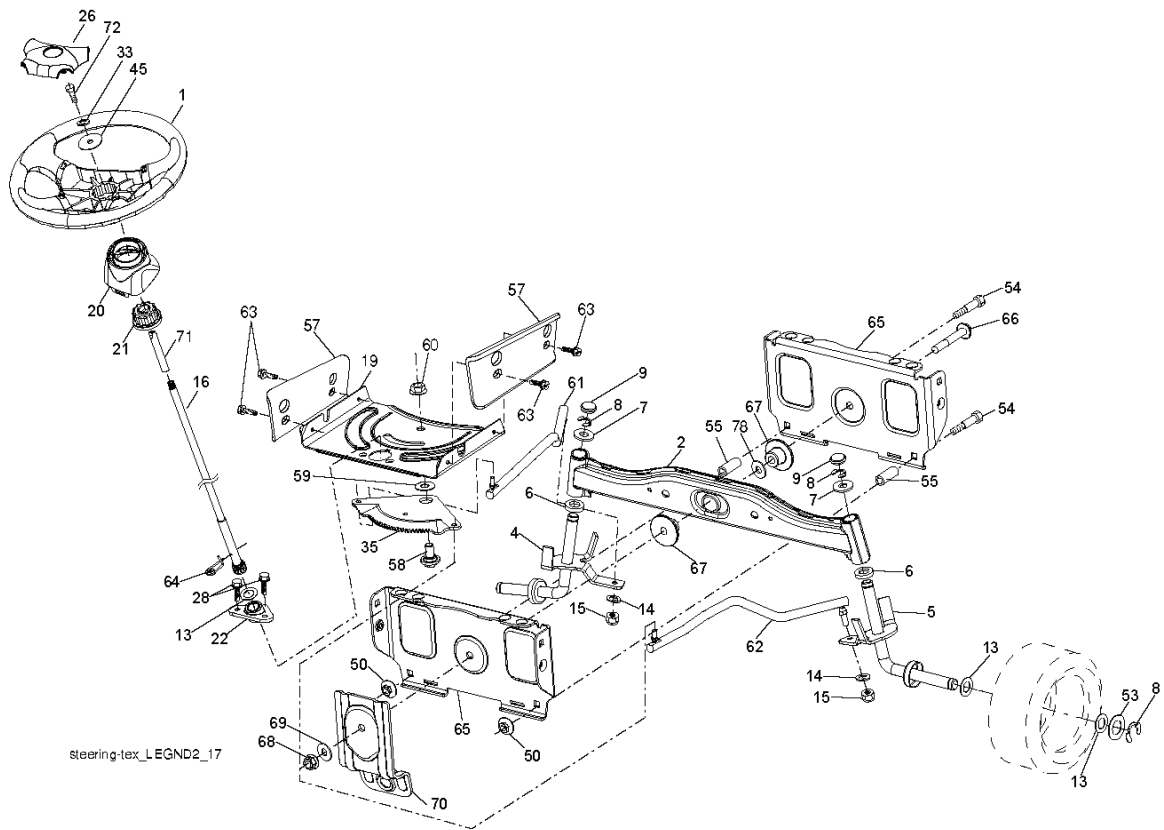
**TRACTOR - - MODEL NO. YT16542 (96043002406), PRODUCT NO. 960 43 00-24
SEAT ASSEMBLY**



seat-tex_knob_1

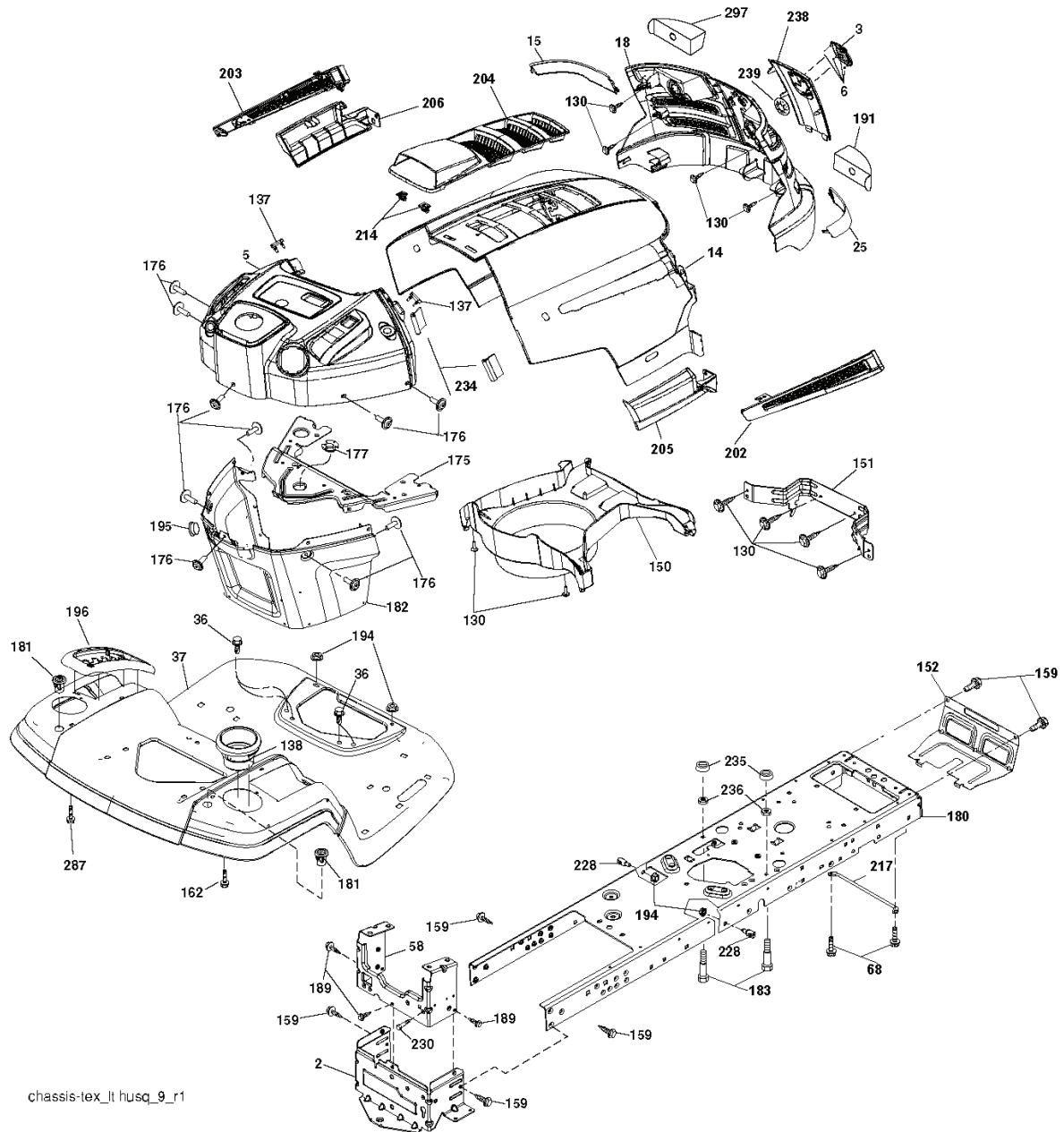
REF.	PART NO.	DESCRIPTION	REMARK	QTY.	KIT
1	532424067	SEAT		1	
2	532180166	BRACKET		1	
3	532140675	STRAP		1	
5	532145006	CLIP		1	
6	873800600	NUT		1	
7	532124181	SPRING		1	
8	532171877	BOLT		1	
10	532199180	PLATE		1	
12	532199370	BRACKET		1	
13	532121248	BUSHING		1	
14	872050412	BOLT		1	
15	532134300	SPACER		1	
16	532123740	SPRING		1	
17	532123976	LOCKNUT		1	
19	532199372	KNOB		1	
21	532171852	BOLT		1	
37	873800500	LOCK NUT		1	
42	532199371	WASHER		1	

**TRACTOR - - MODEL NO. YT16542 (96043002406), PRODUCT NO. 960 43 00-24
STEERING ASSEMBLY**



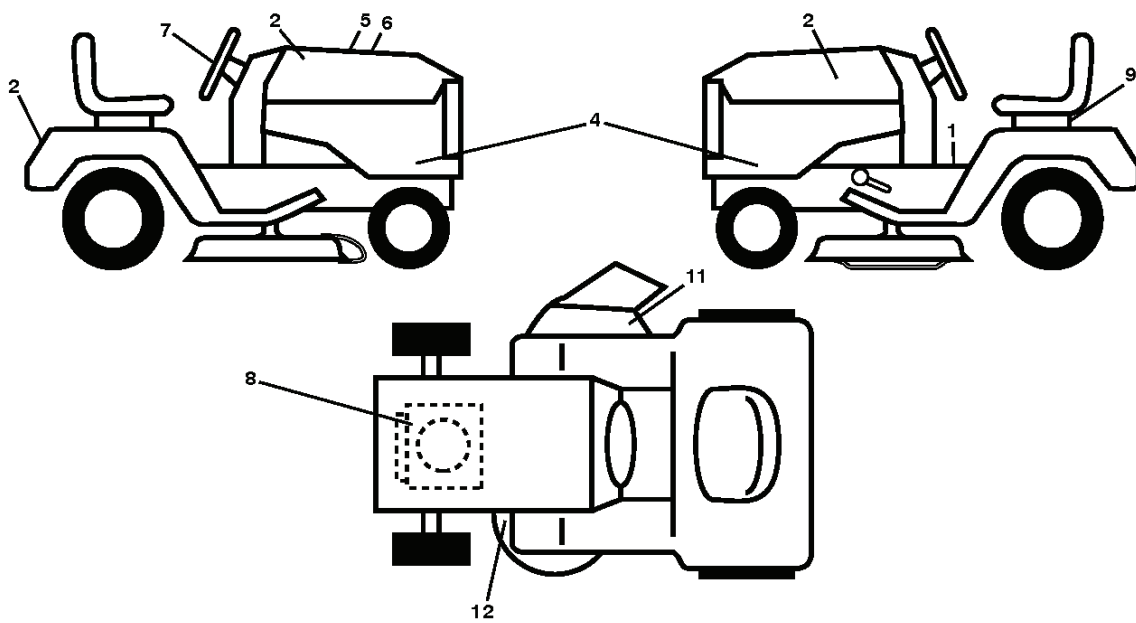
REF.	PART NO.	DESCRIPTION	REMARK	QTY.	KIT
1	532423469	STEERING WHEEL		1	
2	532184706	SHAFT		1	
4	532403087	SPINDLE	LH	1	
5	532403088	SPINDLE	RH	1	
6	532124931	WASHER		1	
7	532121748	WASHER		1	
8	812000029	RETAINER RING		1	
9	532121232	HUB CAP		1	
13	532121749	WASHER		1	
14	810040600	WASHER		1	
15	873540600	NUT		1	
16	532408220	SHAFT		1	
19	532194729	PLATE		1	
20	532411139	STEERING COLUMN TUBE		1	
21	532186737	ADAPTER		1	
22	532194845	BUSHING		1	
26	532415987	KNOB		1	
28	817000612	SCREW		1	
33	810040500	WASHER		1	
35	532194732	PLATE		1	
45	819113812	WASHER		1	
50	873900600	NUT		1	
53	532188967	WASHER		1	
54	874760636	BOLT		1	
55	532414736	SPACER		1	
57	532407465	BRACKET		1	
58	532194747	BOLT		1	
59	532194748	WASHER		1	
60	873971000	NUT		1	
61	532194740	LINK	LH	1	
62	532194741	LINK	RH	1	
63	817000512	SCREW		1	
64	532199849	SPRING RETAINER		1	
65	532194734	BRACKET		1	
66	871020748	BOLT		1	
67	532194737	BUSHING		1	
68	873900700	NUT		1	
69	532199162	WASHER		1	
70	532196197	BRACKET		1	
71	532196075	SHAFT		1	
72	874780572	BOLT		1	
78	532057079	WASHER		1	

**TRACTOR - - MODEL NO. YT16542 (96043002406), PRODUCT NO. 960 43 00-24
CHASSIS**



REF.	PART NO.	DESCRIPTION	REMARK	QTY.	KIT
2	532412282	PLATE		1	
3	532405012	LOGOTYPE		1	
5	532407592	PANEL		1	
14	532411073	HOOD		1	
15	532411079	LENS	LH	1	
18	532426963	GRILLE		1	
25	532411078	LENS	RH	1	
36	817060512	SCREW		1	
37	532416307	FENDER		1	
58	532412280	PLATE		1	
68	817490508	SCREW		1	
130	532416358	SCREW		1	
137	532407590	DAMPING PIECE		1	
138	532402954	HOLDER		1	
150	532406662	AIR DUCT		1	
151	532407807	BRACKET		1	
152	532194329	SHIELD		1	
159	817000612	SCREW		1	
162	532142432	SCREW		1	
175	532199472	PLATE		1	
176	532400776	SCREW		1	
177	532195228	BUSHING		1	
180	532194260	CHASSIS		1	
181	532403025	BUSHING		1	
182	532407176	DASH		1	
183	874780520	BOLT		1	
189	817000512	SCREW		1	
191	532416500	INSERT	RH	1	
194	873900500	NUT		1	
195	532411115	PLUG		1	
196	532414580	CONSOLE		1	
202	532411074	AIR CONDUCTOR	RH	1	
203	532411075	AIR CONDUCTOR	LH	1	
204	532411116	AIR CONDUCTOR		1	
205	532411076	FENDER	RH	1	
206	532411077	FENDER	LH	1	
214	532199145	CLIP		1	
217	532409167	ROD		1	
228	532195161	STUD		1	
234	532404742	DAMPING PIECE		1	
235	532406129	SPACER		1	
236	873930500	NUT		1	
238	532411119	FRONT COVER		1	
239	532404883	CLIP		1	
287	817600406	SCREW		1	
297	532406665	INSERT	LH	1	

TRACTOR - - MODEL NO. YT16542 (96043002406), PRODUCT NO. 960 43 00-24
DECALS

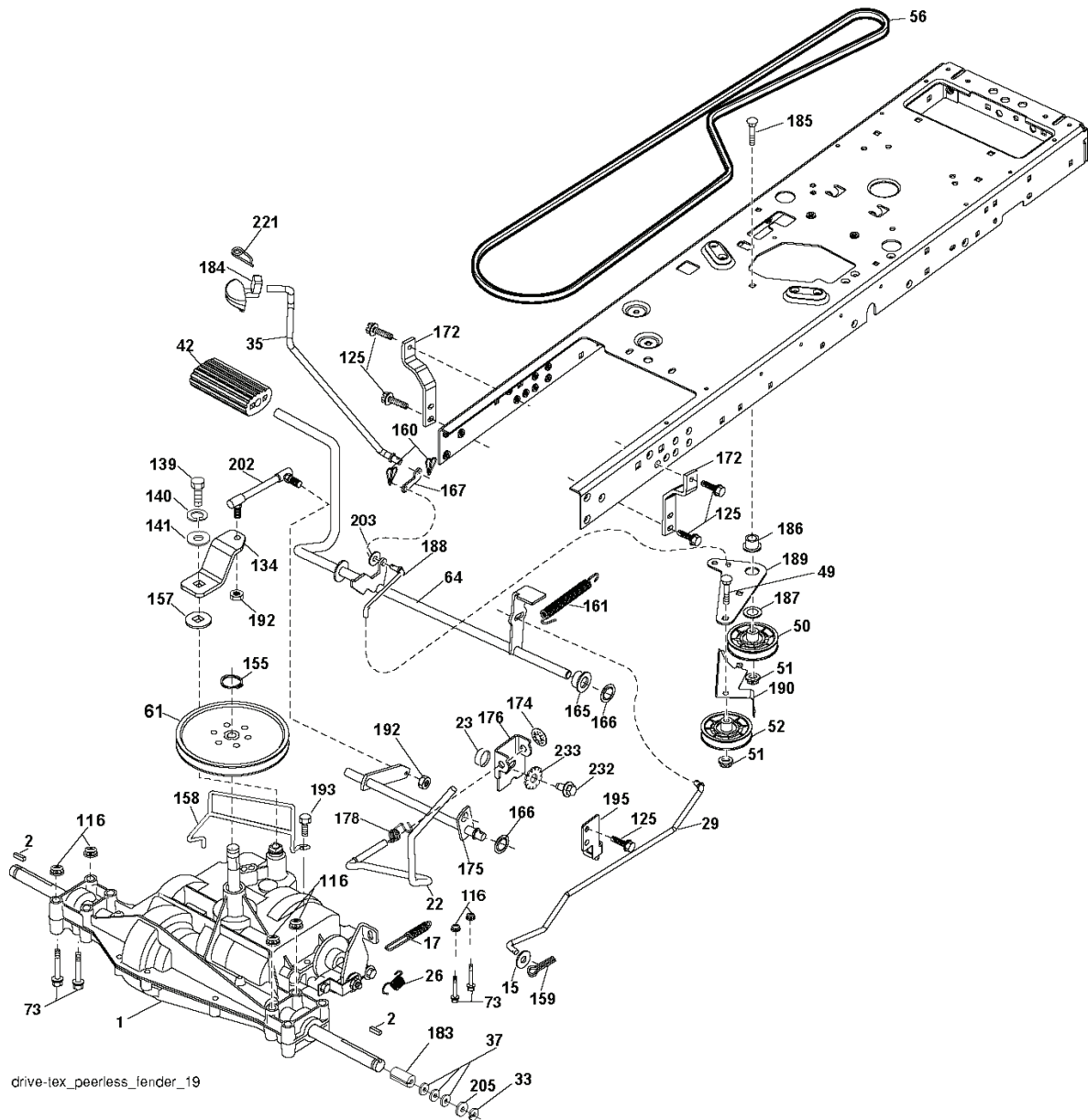


KEY PART

KEY PART

REF.	PART NO.	DESCRIPTION	REMARK	QTY.	KIT
1	532411658	DECAL		1	
2	532422012	DECAL		1	
4	532408355	DECAL		1	
5	532423829	DECAL		1	
6	532426923	DECAL		1	
7	532404484	LABEL		1	
8	532408818	DECAL		1	
9	532145005	DECAL		1	
11	532170563	DECALC:"DANGER"		1	
12	532160396	DECAL		1	
	532410805	PAD	LH	1	
	532411056	PAD	RH	1	

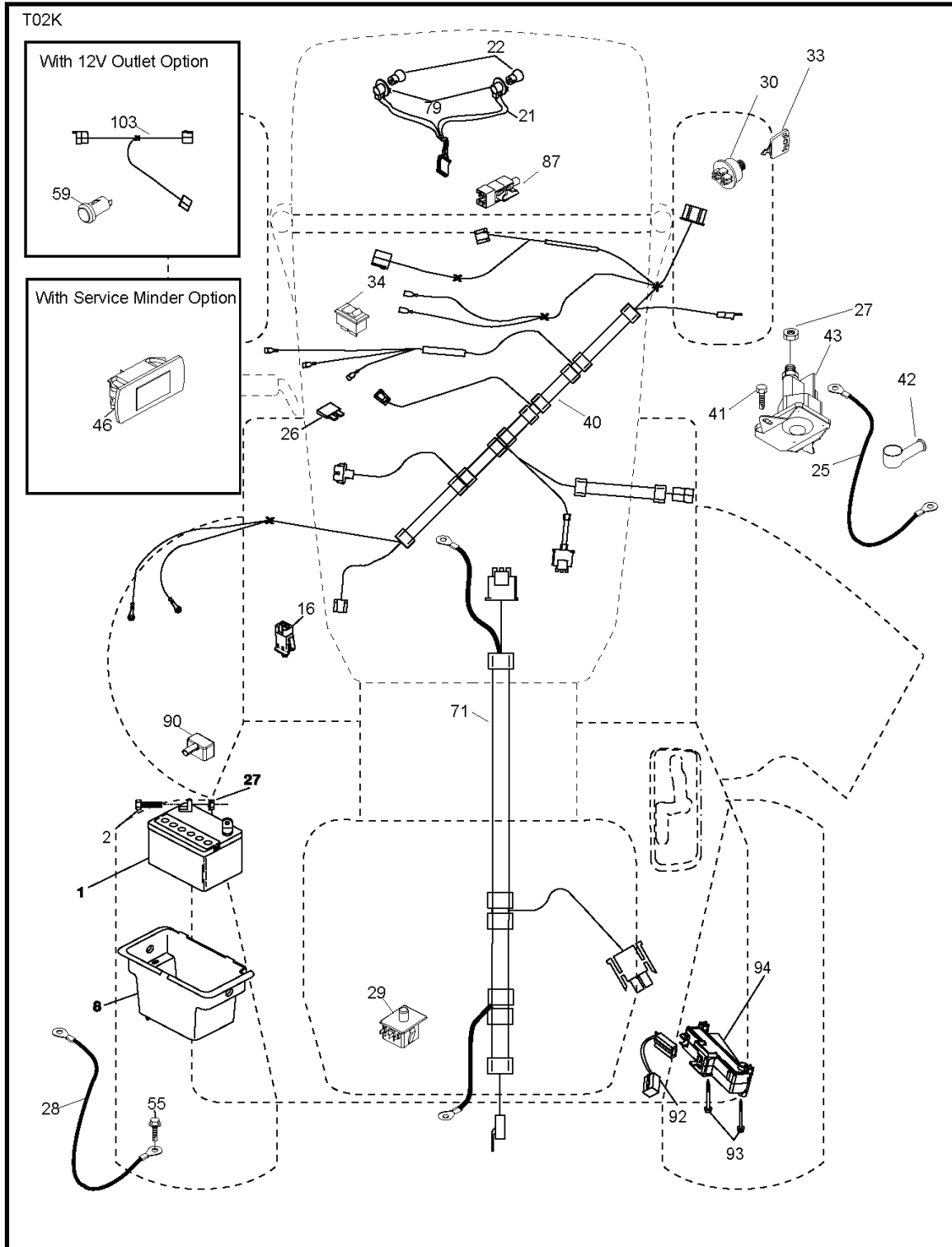
TRACTOR - - MODEL NO. YT16542 (96043002406), PRODUCT NO. 960 43 00-24
DRIVE



drive-lex_peerless_fender_19

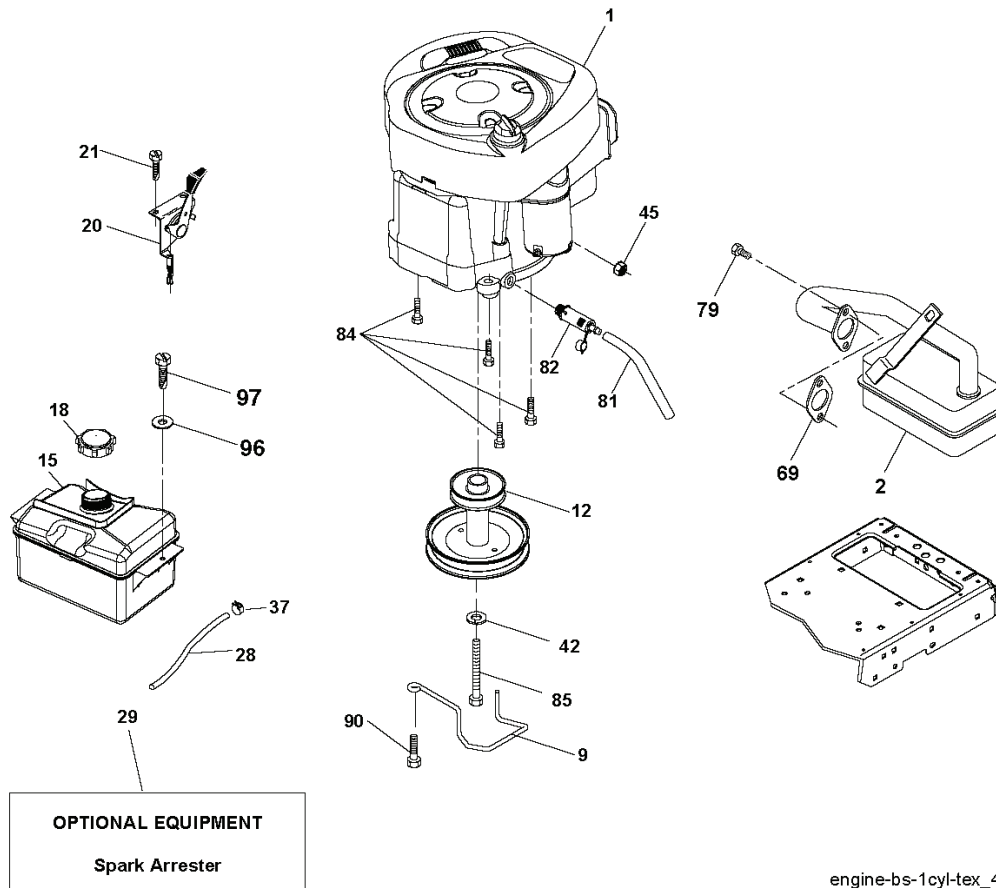
REF.	PART NO.	DESCRIPTION	REMARK	QTY.	KIT
1				1	
2	532123583	KEY		1	
15	819131316	WASHER		1	
17	532197297	SPRING		1	
22	532197660	ROD		1	
23	532106933	KNOB		1	
26	532197455	SPRING		1	
29	532197267	ROD		1	
33	812000001	RETAINER RING		1	
35	532401031	ROD		1	
37	532121749	WASHER		1	
42	532124872	PEDAL RUBBER		1	
49	872110614	BOLT		1	
50	532194327	PULLEY		1	
51	873900600	NUT		1	
52	532194326	PULLEY		1	
56	532194346	BELT		1	
61	532123666	PULLEY		1	
64	532196200	SHAFT		1	
70	532403024	CONSOLE		1	
73	874490544	SCREW		1	
74	532142432	SCREW		1	
116	873900500	NUT		1	
125	817000512	SCREW		1	
134	532197857	ROD		1	
139	874550412	BOLT		1	
140	810040400	WASHER		1	
141	819091210	WASHER		1	
155	812000028	CLIP		1	
157	532105701	WASHER		1	
158	532194352	BELT GUIDE		1	
159	876020412	SPLIT PIN		1	
160	532169484	PIN		1	
161	532105709	SPRING		1	
165	532196212	BUSHING		1	
166	532197290	NUT		1	
167	532405257	LATCH		1	
172	532197657	STRAP	LH	1	
174	532197289	NUT		1	
175	532197858	SHAFT		1	
176	532196214	ARM		1	
178	532197456	SPRING		1	
184	532409747	KNOB		1	
183	532137057	SPACER		1	
185	872110625	BOLT		1	
186	532194321	SPACER		1	
187	819133210	WASHER		1	
188	532194323	LINK		1	
189	532194317	PLATE		1	
190	532194318	BELT GUIDE		1	
192	532150360	NUT		1	
193	817060512	SCREW		1	
195	532197332	BRACKET		1	
202	532197859	LINK		1	
203	819111116	WASHER		1	
205	532121748	WASHER		1	
221	532403187	SPRING		1	
232	874780716	BOLT		1	
233	532405296	WASHER		1	

**TRACTOR - - MODEL NO. YT16542 (96043002406), PRODUCT NO. 960 43 00-24
ELECTRICAL**



REF.	PART NO.	DESCRIPTION	REMARK	QTY.	KIT
1	532163465	BATTERY		1	
2	874760412	BOLT		1	
8	532193228	BOX		1	
16	532176138	MICRO SWITCH		1	
21	532400252	HARNESS		1	
22	532004152	BULB		1	
25	532412894	CABLE.STARTER.GGA.BL/R*SUBS/2*		1	
26	532175158	FUSE		1	
27	873510400	NUT		1	
28	532198885	CABLE		1	
29	532192749	SWITCH.SEAT.DP W/RAMPS		1	
30	532193350	IGNITION MODULE		1	
33	532411935	KEY		1	
34	532110712	SWITCH		1	
40	532401098	CABLE		1	
41	817720408	SCREW		1	
42	532131563	COVER		1	
43	532192507	SOLENOID		1	
55	817060512	SCREW		1	
71	532400449	CABLE		1	
79	532175242	HOLDER		1	
87	532197802	SWITCH		1	
90	532400725	COVER		1	
92	532196615	CABLE ASSY		1	
93	532192540	SCREW		1	
94	532191834	MODULE.REVERSE.ROS		1	

**TRACTOR - - MODEL NO. YT16542 (96043002406), PRODUCT NO. 960 43 00-24
ENGINE**



engine-bs-1cyl-tex_4

REF.	PART NO.	DESCRIPTION	REMARK	QTY.	KIT
1				1	
2	532137352	MUFFLER		1	
9	532194319	BELT GUIDE		1	
12	532401985	PULLEY		1	
15	532407545	FUEL TANK		1	
18	532197725	PLUG		1	
20	532183897	CONTROL		1	
21	532416358	SCREW		1	
28	532401137	DURITE ESSENCE 20"		1	
29	532137180	SPARK ARRESTER KIT		1	
37	532123487	HOSE CLAMP		1	
42	810040700	WASHER		1	
45	873510400	NUT		1	
69	532165291	GASKET		1	
79	532192334	SCREW		1	
81	532148456	TUBE		1	
82	532181654	PLUG		1	
84	817060620	SCREW		1	
85	532173937	BOLT		1	
90	817000616	SCREW		1	
96	819091416	WASHER		1	
97	817670412	SCREW		1	

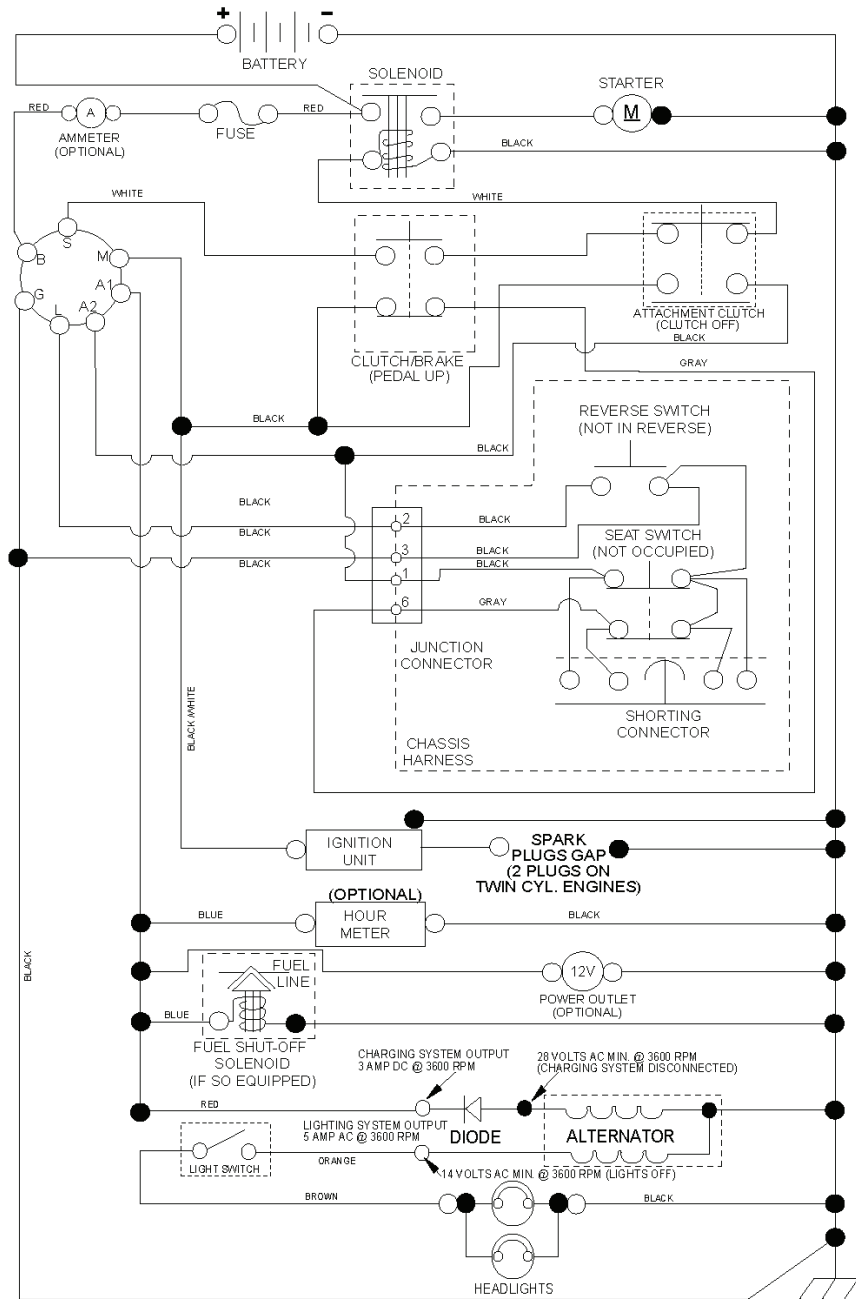
REF.	PART NO.	DESCRIPTION	REMARK	QTY.	KIT
1	532402999	DECK SHELL		1	
6	532195186	ARM		1	
7	532416358	SCREW		1	
8	532193003	SCREW		1	
11	532138971	BLADE		1	
11	532134149	RIDE ON BLADE	FOR BAGGING OR DISCHARG	1	
11	532139775	RIDE ON BLADE	FOR MULCHING MOWERS ONLY	1	
13	532192872	SHAFT ASSY	FOR BETTER WEAR WHEN MULCHING	1	
14	532187281	BEARING HOUSING		1	
15	532110485	BEARING		1	
19	532196539	BOLT		1	
20	532159770	RAIL		1	
21	873680500	NUT		1	
23	532192557	HINGE		1	
24	532105304	HUB CAP		1	
25	532197026	TORSION SPRING		1	
26	532110452	NUT		1	
27	532403004	SHIELD		1	
29	532131491	SHAFT		1	
30	532173984	SCREW		1	
31	532187690	WASHER		1	
32	532197473	PULLEY		1	
33	532400234	NUT		1	
34	872110612	BOLT		1	
36	532197379	PULLEY		1	
37	819131316	WASHER		1	
38	532199189	BELT GUIDE		1	
40	873900600	NUT		1	
42	532198410	SPRING		1	
43	532197256	SPRING		1	
46	532137729	SCREW		1	
47	532197250	BRACKET		1	
55	532197249	ARM		1	
56	532199092	SPACER		1	
57	817000616	SCREW		1	
59	532141043	GUARD		1	
60	532197261	ARM		1	
62	872110616	BOLT		1	
63	532199477	ARM		1	
64	532199790	LINK		1	
67	532403012	HANDLE		1	
68	532197253	BELT		1	
69	872140505	BOLT		1	
70	532401246	CLUTCH		1	
113	817000510	BOLT		1	
116	532124842	BOLT		1	
117	532188606	WHEEL		1	
118	873930600	NUT		1	
119	819121414	WASHER		1	
122	532197258	BELT GUIDE	LH	1	
123	532197259	BELT GUIDE	RH	1	
144	532199204	BELT GUIDE		1	
145	532193197	PULLEY		1	
147	532401971	SPRING		1	
152	532408714	CABLE		1	
188	532195161	STUD		1	
189	873900500	NUT		1	
192	532197260	BRACKET	LH	1	
195	817000612	SCREW		1	
208	817670608	SCREW		1	
	532192870	SPINDLE	"INCLUDES HOUSING, SHAFT AND SHAFT HARDWARE, ONLY PULLE NOT INCLUDED"	1	
	532402022	DECK.SVC.42"HPCC.2GWB		1	

REF.	PART NO.	DESCRIPTION	REMARK	QTY.	KIT
2	532195223	SHAFT		1	
3	532195231	LEVER		1	
7	532411555	GRIP		1	
10	532196314	SPRING		1	
87	532194209	SPRING		1	
88	532410710	SPRING		1	
89	819191912	WASHER		1	
90	532194208	PIN		1	
91	532195181	LINK		1	
97	817000612	SCREW		1	
98	532195270	LINK		1	
100	873930600	NUT		1	
113	819171912	WASHER		1	

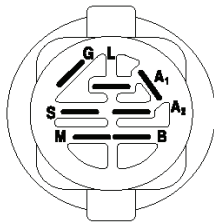
TRACTOR - - MODEL NO. YT16542 (96043002406), PRODUCT NO. 960 43 00-24

SCHEMATIC

SCH11

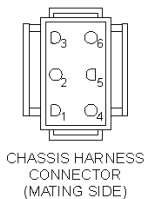


NOTE
YOUR TRACTOR IS EQUIPPED WITH A SPECIAL ALTERNATOR SYSTEM. THE LIGHTS ARE NOT CONNECTED TO THE BATTERY, BUT HAVE THEIR OWN ELECTRICAL SOURCE. BECAUSE OF THIS, THE BRIGHTNESS OF THE LIGHTS WILL CHANGE WITH ENGINE SPEED. AT IDLE THE LIGHTS WILL DIM. AS THE ENGINE IS SPEEDED UP, THE LIGHTS WILL BECOME THEIR BRIGHTEST.

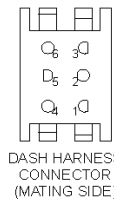


IGNITION SWITCH

POSITION	CIRCUIT	"MAKE"
OFF	M+G+A1	
RUN/OVERRIDE	B+A1	
RUN	B+A1	L+A2
START	B+S+A1	



CHASSIS HARNESS CONNECTOR (MATING SIDE)

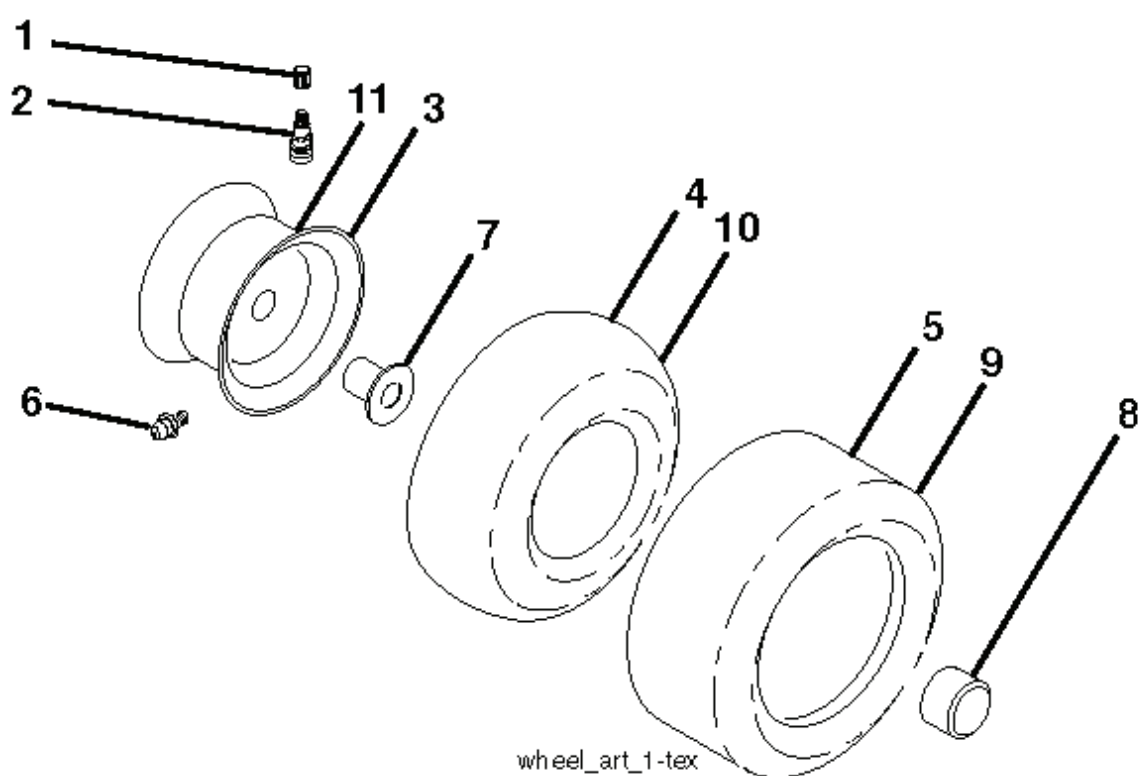


DASH HARNESS CONNECTOR (MATING SIDE)

WIRING INSULATED CLIPS
NOTE: IF WIRING INSULATED CLIPS WERE REMOVED FOR SERVICING OF UNIT, THEY SHOULD BE RE-INSTALLED TO PROPERLY SECURE YOUR WIRING.

NON-REMOVABLE CONNECTIONS
REMOVABLE CONNECTIONS

WHEELS AND TIRES



REF.	PART NO.	DESCRIPTION	REMARK	QTY.	KIT
7	532124959	BEARING	FRONT WHEEL ONLY	1	
2	532065139	NIPPLE		1	
	532144334	SEALING FOAM	10 OZ. TUBE	1	
6	532124957	FITTING	FRONT WHEEL ONLY	1	
8	532175039	HUB CAP		1	
5	532106222	TIRE		1	
10	532124926	HOSE		1	
9	532420531	TIRE		1	
4	532059904	HOSE		1	
3	532138336	RIM		1	
1	532059192	CAP VALVE		1	
	PART NO.		REMARK		KIT