

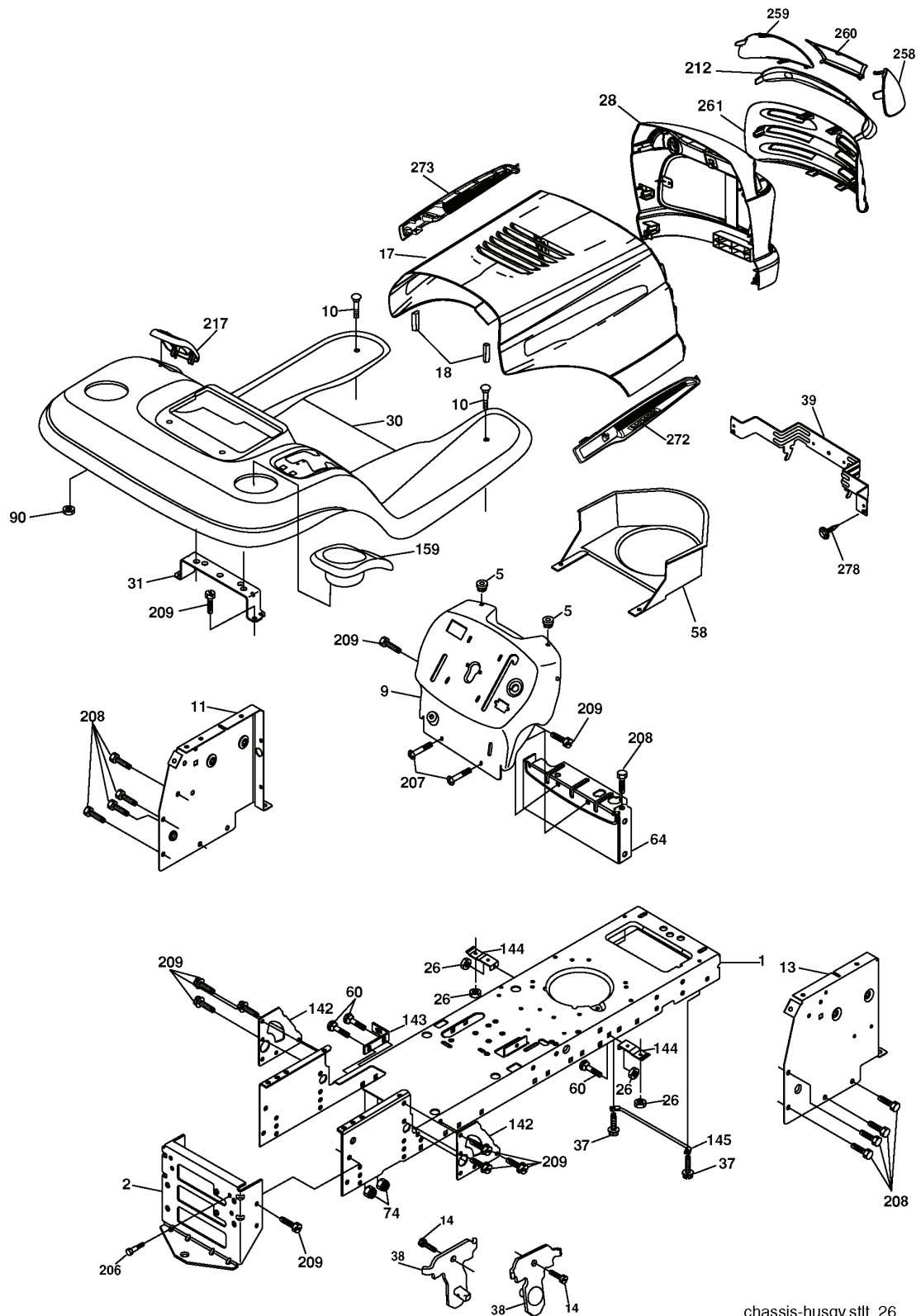
TH180 XP, 96011011900, 544341101, 2006

---

# **SPARE PARTS LIST**

# REPAIR PARTS

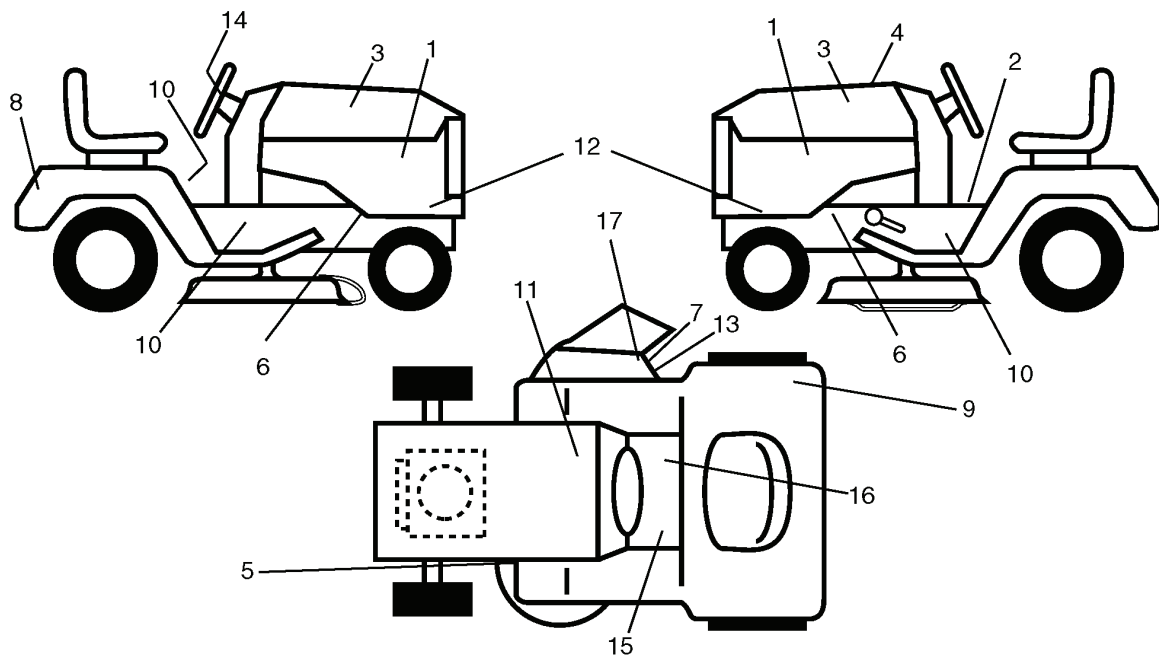
TRACTOR-MODEL NO. YTH180 XP (96011011900), PRODUCT NO. 960 11 01-19  
CHASSIS



REF.	PART NO.	DESCRIPTION	REMARK	QTY.	KIT
1	532174619	FRAME		1	
2	532176554	PLATE		1	
5	532155272	DAMPER		1	
9	532401897	DASH		1	
10	872140608	BOLT		1	
11	532174996	DASHBOARD		1	
14	817490608	SCREW		1	
13	532172106	DASH		1	
17	532188893	HOOD		1	
18	532184921	BUMPER		1	
26	873800600	NUT		1	
28	532183538	GRILL		1	
30	532194806	FENDER		1	
31	532139976	BRACKET		1	
37	817490508	SCREW		1	
38	532175710	BRACKET		1	
39	532174714	BRACKET PIVOT LASER LT		1	
58	532187145	DUCT		1	
60	872140606	BOLT		1	
64	532154798	PANEL		1	
74	873680600	NUT		1	
90	532124346	NUT		1	
142	532175702	PLATE		1	
143	532186689	BRACKET		1	
144	532175582	BRACKET		1	
145	532156524	SHAFT		1	
159	532192404	CUPHOLDER		1	
206	532170165	BOLT		1	
207	817670508	SCREW		1	
208	817670608	SCREW		1	
209	817000612	SCREW		1	
212	532183548	INSERT		1	
217	532185436	BRACKET		1	
258	532185214	LENS		1	
259	532185213	LENS		1	
260	532185216	INSERT		1	
261	532185212	INSERT		1	
272	532188896	VENT HOOD RH		1	
273	532188895	VENT HOOD LH		1	
278	532191611	SCREW		1	

# REPAIR PARTS

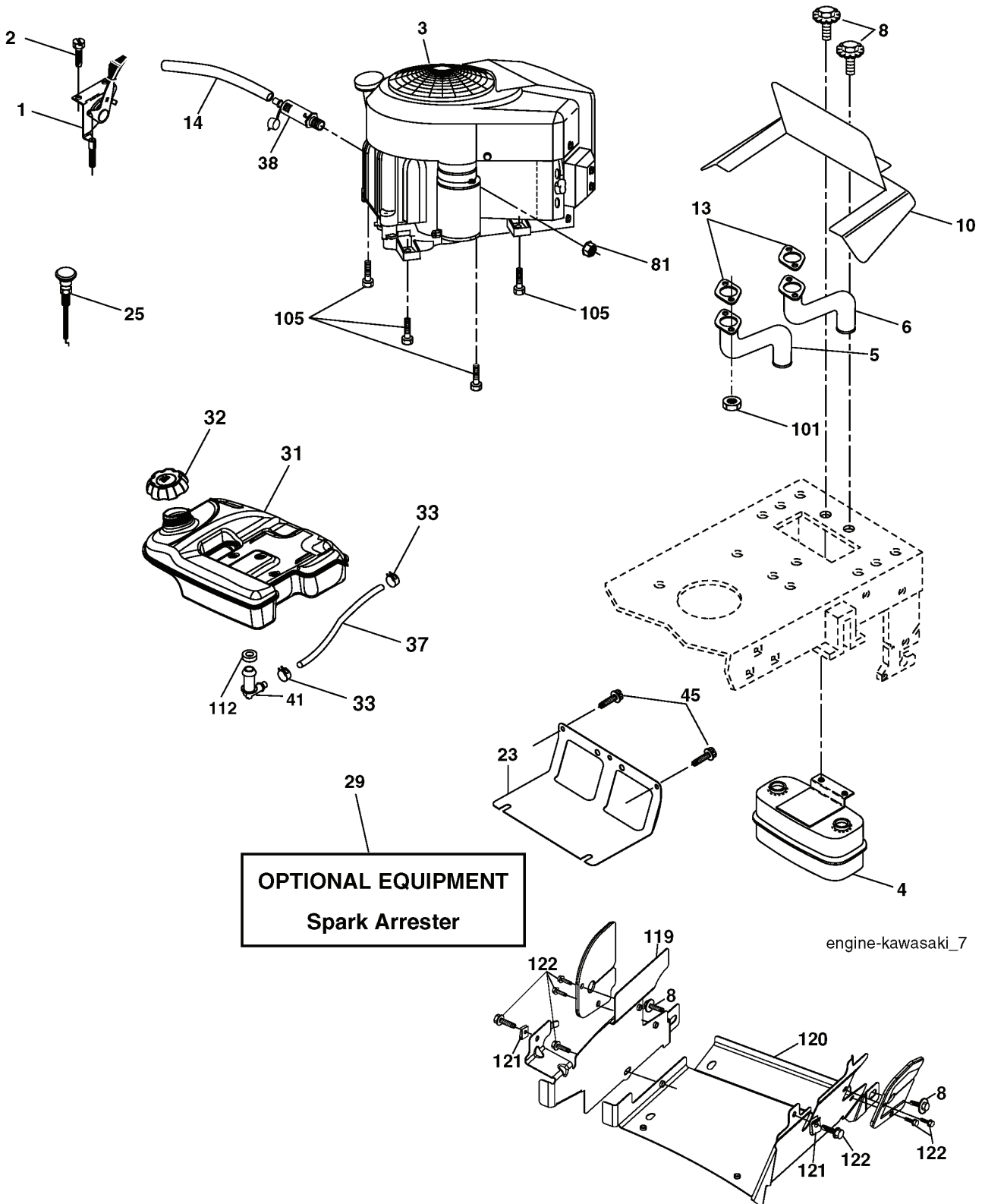
TRACTOR-MODEL NO. YTH180 XP (96011011900), PRODUCT NO. 960 11 01-19  
DECAL



REF.	PART NO.	DESCRIPTION	REMARK	QTY.	KIT
1	532188921	DECAL		1	
2	532140837	DECAL		1	
3	532188922	DECAL		1	
4	532189143	DECALC.CAPOT		1	
5	532160396	DECAL		1	
6	532159736	DECAL		1	
7	532182166	DECAL		1	
8	532188935	DECAL		1	
9	532180432	DECAL		1	
10	532401146	DECAL		1	
11	532145005	DECAL		1	
12	532191153	DECAL		1	
13	532196357	DECALC."DANGER DEFLECTEUR"		1	
14	532188925	DECAL		1	
15	532159737	DECAL		1	
16	532400389	LABEL		1	
17	532179128	DECAL		1	
--	532162598	DECAL		1	
--	532166960	DECAL		1	
--	532138311	DECAL		1	
--	532188252	PAD. FOOTREST LH		1	
--	532188253	PAD. FOOTREST RH		1	
--	532400982	OPERATORS MANUAL		1	
--	532198374			1	

# REPAIR PARTS

TRACTOR-MODEL NO. YTH180 XP (96011011900), PRODUCT NO. 960 11 01-19  
ENGINE



---

REF.	PART NO.	DESCRIPTION	REMARK	QTY.	KIT
1	532170803	CONTROL THROT FLAG		1	
2	817720408	SCREW		1	
4	532149723	MUFFLER		1	
5	532176067	TUBE		1	
6	532176068	TUBE		1	
8	532171877	BOLT		1	
10	532146629	HEAT SHIELD		1	
14	532148456	TUBE		1	
23	532169837	HEAT SHIELD		1	
25	532191812	CONTROL		1	
29	532137180	SPARK ARRESTER KIT		1	
31	532179022	TANK FUEL 3 50 REAR		1	
32	532181803	TANK CAP		1	
33	532123487	HOSE CLAMP		1	
37	532142158	FULE LINE		1	
41	532139277	NIPPLE		1	
45	817000612	SCREW		1	
81	873510400	NUT		1	
101	532184362	NUT		1	
105	817120616	SCREW		1	
112	532124952	BUSHING		1	
119	532400594	PROTECTOR		1	
120	532400595	PROTECTOR		1	
121	532196688	NUT		1	
122	532137729	SCREW		1	
123	817670508	SCREW		1	

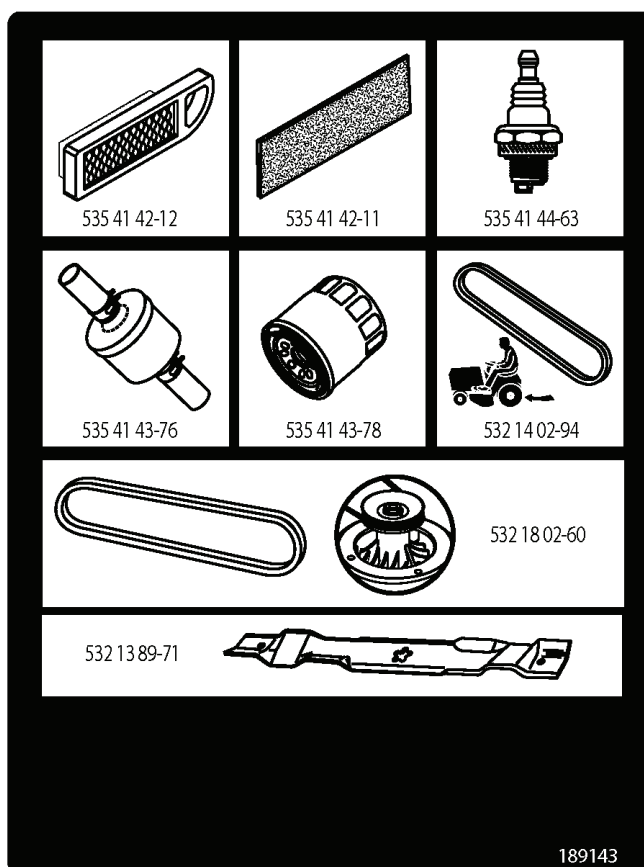


# ILLUSTRATED PARTS LIST

**MODEL NO. 96011011900**

**CUSTOMER CATALOG NO. YTH180XP**

**PRODUCT NO. 960 11 01-19**

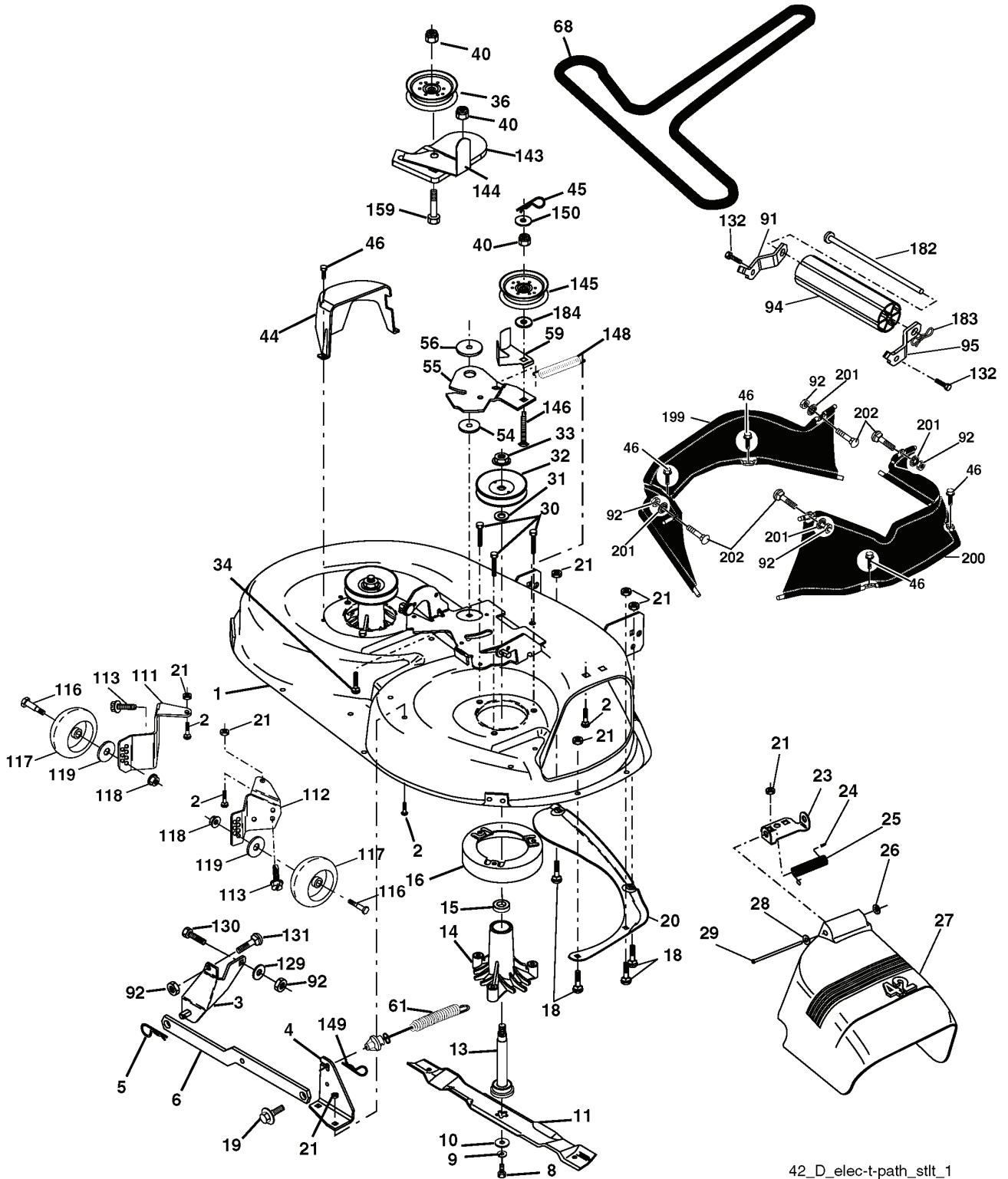


---

REF.	PART NO.	DESCRIPTION	REMARK	QTY.	KIT
535 41 42-12	535414212	AIR FILTER		1	
535 41 43-76	535414376	FILTER		1	
535 41 42-11	535414211	PREFILTER		1	
535 41 43-78	535414378	OIL FILTER		1	
535 41 44-63	535414463	SPARK PLUG		1	
532 14 02-94	532140294	BELT		1	
532 18 02-60	532180260	BELT		1	
532 13 89-71	532138971	BLADE		1	

# REPAIR PARTS

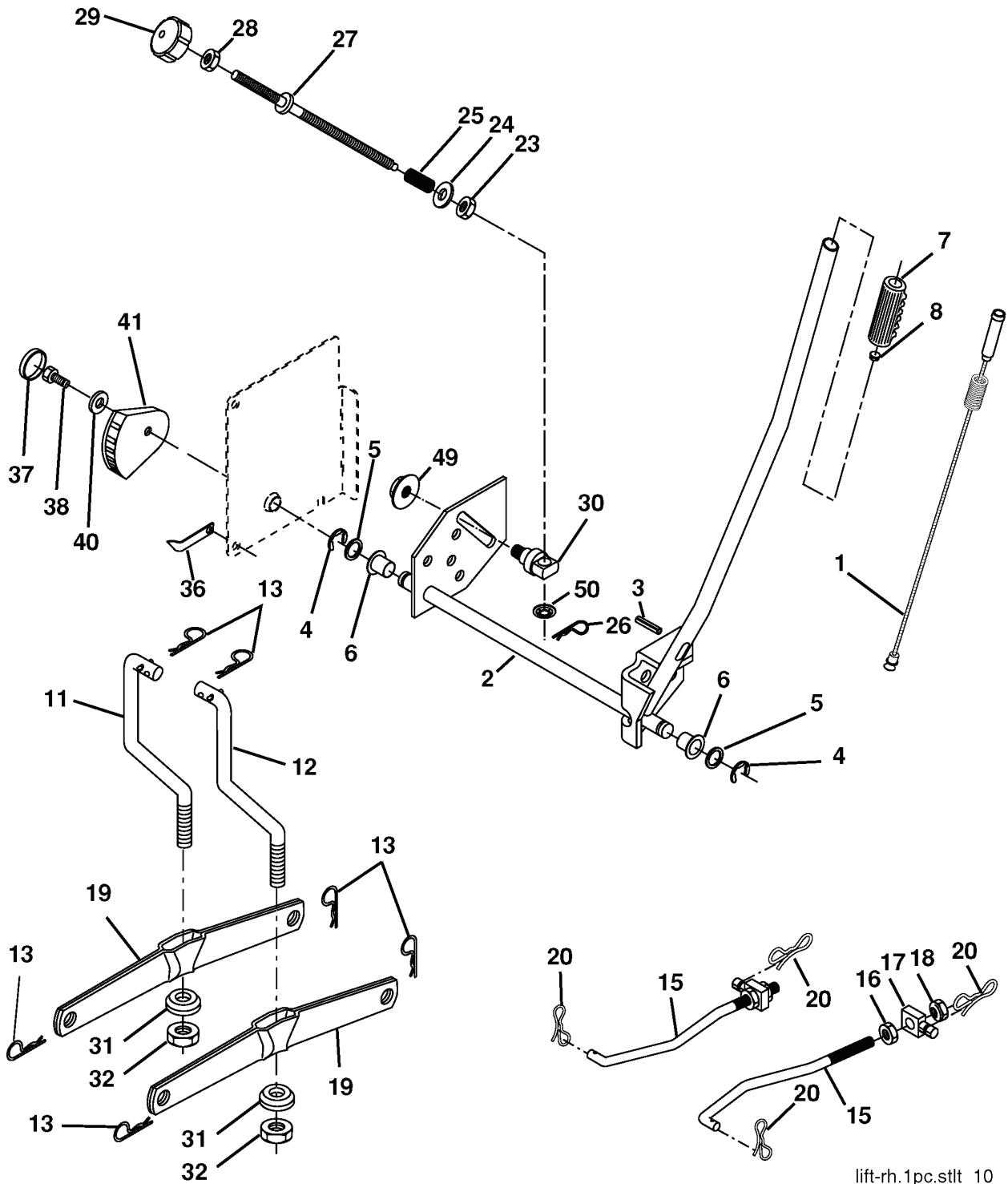
TRACTOR-MODEL NO. YTH180 XP (96011011900), PRODUCT NO. 960 11 01-19  
MOWER DECK



REF.	PART NO.	DESCRIPTION	REMARK	QTY.	KIT
1	532165892	HOUSING ASM MOWER 42"		1	
2	872140506	BOLT		1	
3	532138017	BRACKE		1	
4	532165460	BRACKET		1	
5	532124670	RETAINER RING		1	
6	532178024	LEVER		1	
8	532850857	BOLT		1	
9	810030600	WASHER		1	
10	532140296	WASHER		1	
11	532138971	BLADE		1	
13	532137645	SHAFT		1	
14	532187281	BEARING HOUSING		1	
15	532110485	BEARING		1	
16	532174493	STRIPPER. MANDREL.BLACK		1	
18	872140505	BOLT		1	
19	532132827	SPEC. BOLT		1	
20	532159770	RAIL		1	
21	873680500	NUT		1	
23	532177563	BRACKET		1	
24	532105304	HUB CAP		1	
25	532123713	SPRING		1	
26	532110452	NUT		1	
27	532401431	SHIELD		1	
28	819111016	WASHER		1	
29	532131491	SHAFT		1	
30	532173984	SCREW		1	
31	532187690	WASHER		1	
32	532153535	PULLEY		1	
33	532400234	NUT		1	
34	872110612	BOLT		1	
36	532131494	PULLEY		1	
40	873900600	NUT		1	
44	532140088	GUARD		1	
45	532124788	RETAINER RING		1	
46	532137729	SCREW		1	
54	532178515	WASHER		1	
55	532155046	LEVER		1	
56	532165723	SPACER		1	
59	532141043	GUARD		1	
61	532174882	SPRING		1	
68	532180260	BELT		1	
91	532180532	BRACKET		1	
92	873800600	NUT		1	
94	532132264	ROLLER		1	
95	532180533	BRACKET		1	
111	532179292	BRACKET		1	
112	532179293	BRACKET		1	
113	817000510	BOLT		1	
116	532124842	BOLT		1	
117	532188606	WHEEL		1	
118	873930600	NUT		1	
119	819121414	WASHER		1	
129	819131312	WASHER		1	
130	874780616	BOLT		1	
131	872140608	BOLT		1	
132	817000612	SCREW		1	
143	532157109	BRACKET		1	
144	532158634	BELT GUIDE		1	
145	532165888	PULLEY		1	
146	532171977	SHAFT		1	
148	532169022	SPRING		1	
149	532165898	SPRING		1	
150	819091210	WASHER		1	
159	872140614	BOLT		1	
182	532179126	PIN RETAINING SCREW		1	
183	532194209	SPRING		1	
184	819131410	WASHER		1	
199	532400278	PROTECTOR		1	
200	532400279	PROTECTOR		1	
201	532401220	STARLOCK 3/8		1	
202	872110608	BOLT		1	
203	532197262	BOULON A EPAULE		1	
--	532130794	MANDREL		1	
--	532400834	BLADE		1	

# REPAIR PARTS

TRACTOR-MODEL NO. YTH180 XP (96011011900), PRODUCT NO. 960 11 01-19  
MOWER LIFT

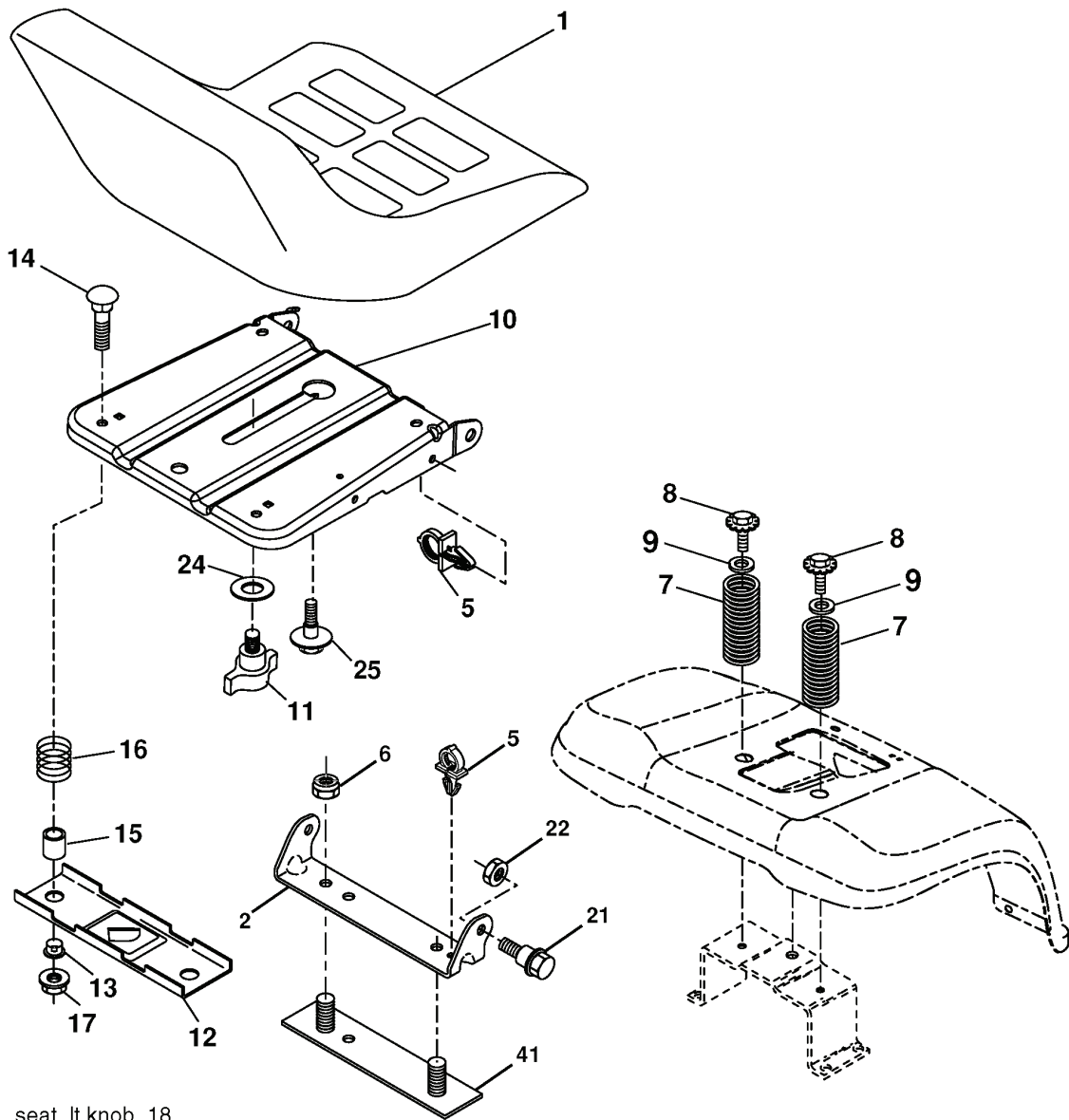


lift-rh.1pc.stlt\_10

REF.	PART NO.	DESCRIPTION	REMARK	QTY.	KIT
1	532159460	WIRE		1	
2	532159471	LEVER		1	
3	532105767	PIN RETAINING SCREW		1	
4	812000002	RETAINER RING		1	
5	819211621	WASHER		1	
6	532120183	BEARING		1	
7	532125631	HANDLE		1	
8	532124526	KNOB		1	
11	532139865	LINK		1	
12	532139866	LINK		1	
13	532124670	RETAINER RING		1	
15	532173288	LINK		1	
16	873350800	NUT		1	
17	532175689	BRACKET		1	
18	873800800	NUT		1	
19	532139868	LEVER		1	
20	532194209	SPRING		1	
23	532110807	NUT		1	
24	819131016	WASHER		1	
25	532124874	SPRING		1	
26	532169484	PIN		1	
27	532126971	LEVER		1	
28	873350600	NUT		1	
29	532138057	KNOB		1	
30	532150233	TRUNNION		1	
31	532169865	BEARING		1	
32	873540600	NUT		1	
36	532155097	INDICATOR		1	
37	532123935	PLUG		1	
38	817060516	SCREW		1	
40	819112410	WASHER		1	
41	532155098	LEVER		1	
49	532145212	NUT		1	
50	532110452	NUT		1	

# REPAIR PARTS

TRACTOR-MODEL NO. YTH180 XP (96011011900), PRODUCT NO. 960 11 01-19  
SEAT ASSEMBLY



seat\_lt.knob\_18

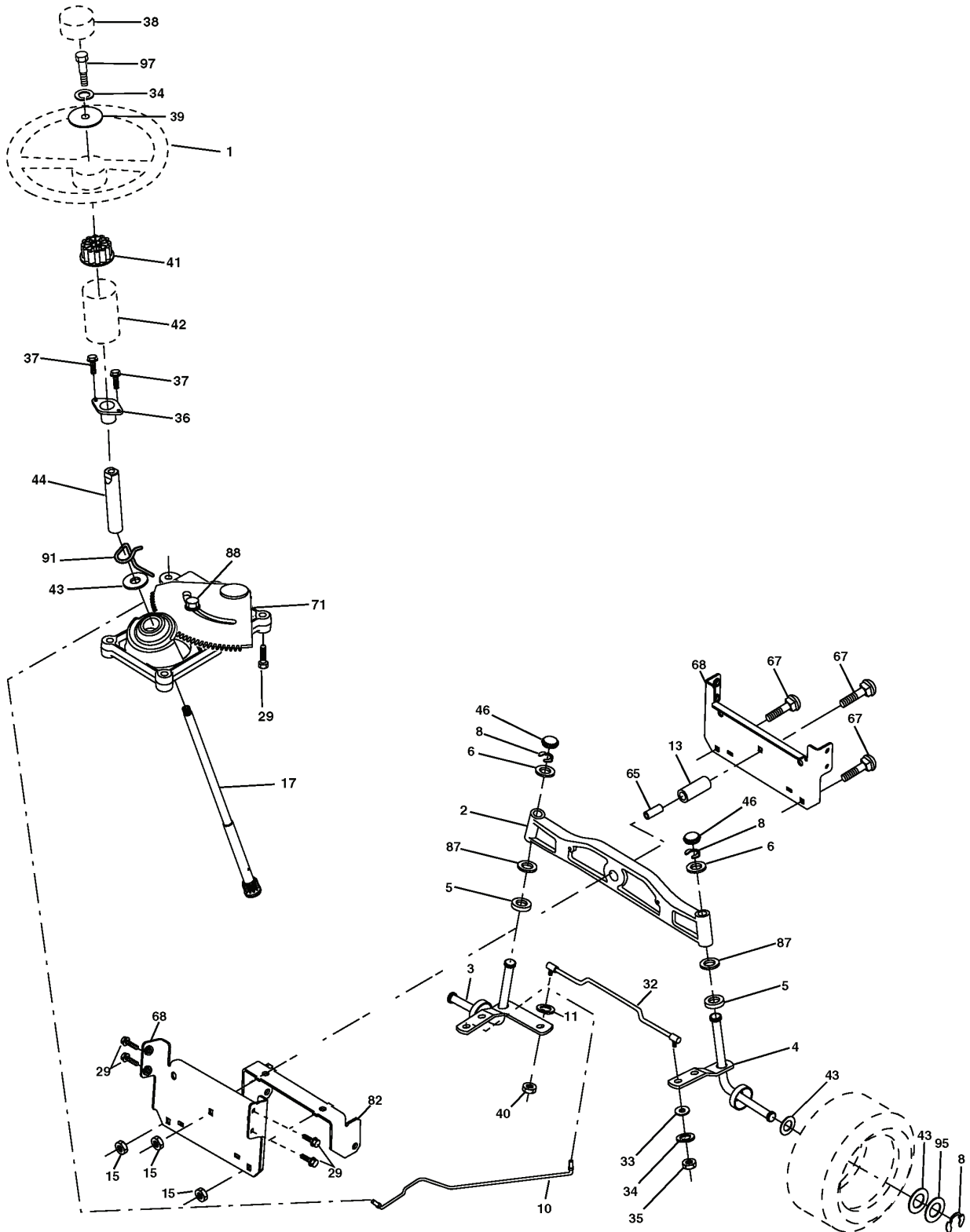
---

REF.	PART NO.	DESCRIPTION	REMARK	QTY.	KIT
1	532188715	SIEGE CONDUCTEUR		1	
2	532140551	BRACKET		1	
5	532145006	CLIP		1	
6	873800600	NUT		1	
7	532124181	SPRING		1	
8	817000616	SCREW		1	
9	819131614	WASHER		1	
10	532195530	BERCEAU DE SIEGE CONDUCTEUR		1	
11	532166369	WING NUT		1	
12	532174648	BRACKET		1	
13	532121248	BUSHING		1	
14	872050412	BOLT		1	
15	532121249	SPACER		1	
16	532123740	SPRING		1	
17	532123976	LOCKNUT		1	
21	532171852	BOLT		1	
22	873800500	LOCK NUT		1	
24	819171912	WASHER		1	
25	532127018	BOLT		1	
41	532140765	GEAR LEVER		1	



# REPAIR PARTS

TRACTOR-MODEL NO. YTH180 XP (96011011900), PRODUCT NO. 960 11 01-19  
STEERING ASSEMBLY

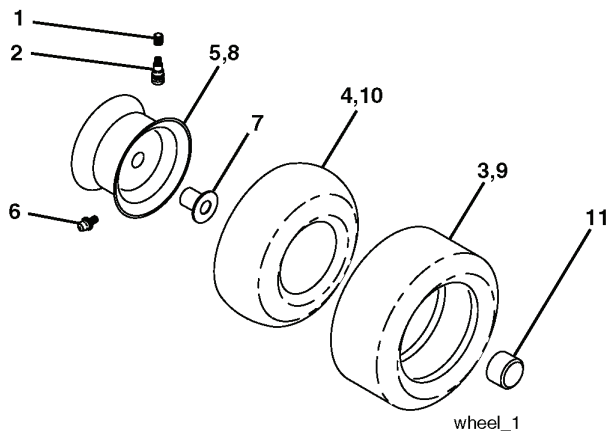


REF.	PART NO.	DESCRIPTION	REMARK	QTY.	KIT
1	532193651	STEERING WHEEL		1	
2	532184706	SHAFT		1	
3	532169840	SPINDLE		1	
4	532169839	SPINDLE		1	
5	532124931	WASHER		1	
6	532121748	WASHER		1	
8	812000029	RETAINER RING		1	
10	532175121	ROD		1	
11	810040600	WASHER		1	
13	532136518	PIPE		1	
15	532145212	NUT		1	
17	532190753	ROD		1	
29	817000612	SCREW		1	
32	532171888	ROD		1	
33	819111216	WASHER		1	
34	810040500	WASHER		1	
35	873540500	NUT		1	
36	532155099	BUSHING		1	
37	532152927	SCREW		1	
38	532193652	HUB		1	
39	819113812	WASHER		1	
40	873540600	NUT		1	
41	532186737	ADAPTER		1	
42	532169634	SLEEVE		1	
43	532121749	WASHER		1	
44	532190752	SHAFT		1	
46	532121232	HUB CAP		1	
65	532160367	SPACER		1	
67	872110618	BOLT		1	
68	532169827	SHAFT		1	
71	532175146	STEERING GEAR		1	
82	532199978	SUPPORT ESSIEU AVANT		1	
87	532173966	WASHER		1	
88	532175118	BOLT		1	
91	532175553	SPRING		1	
95	532188967	WASHER		1	
97	874780564	BOLT		1	

## REPAIR PARTS

TRACTOR-MODEL NO. YTH180 XP (96011011900), PRODUCT NO. 960 11 01-19

### WHEELS & TIRES

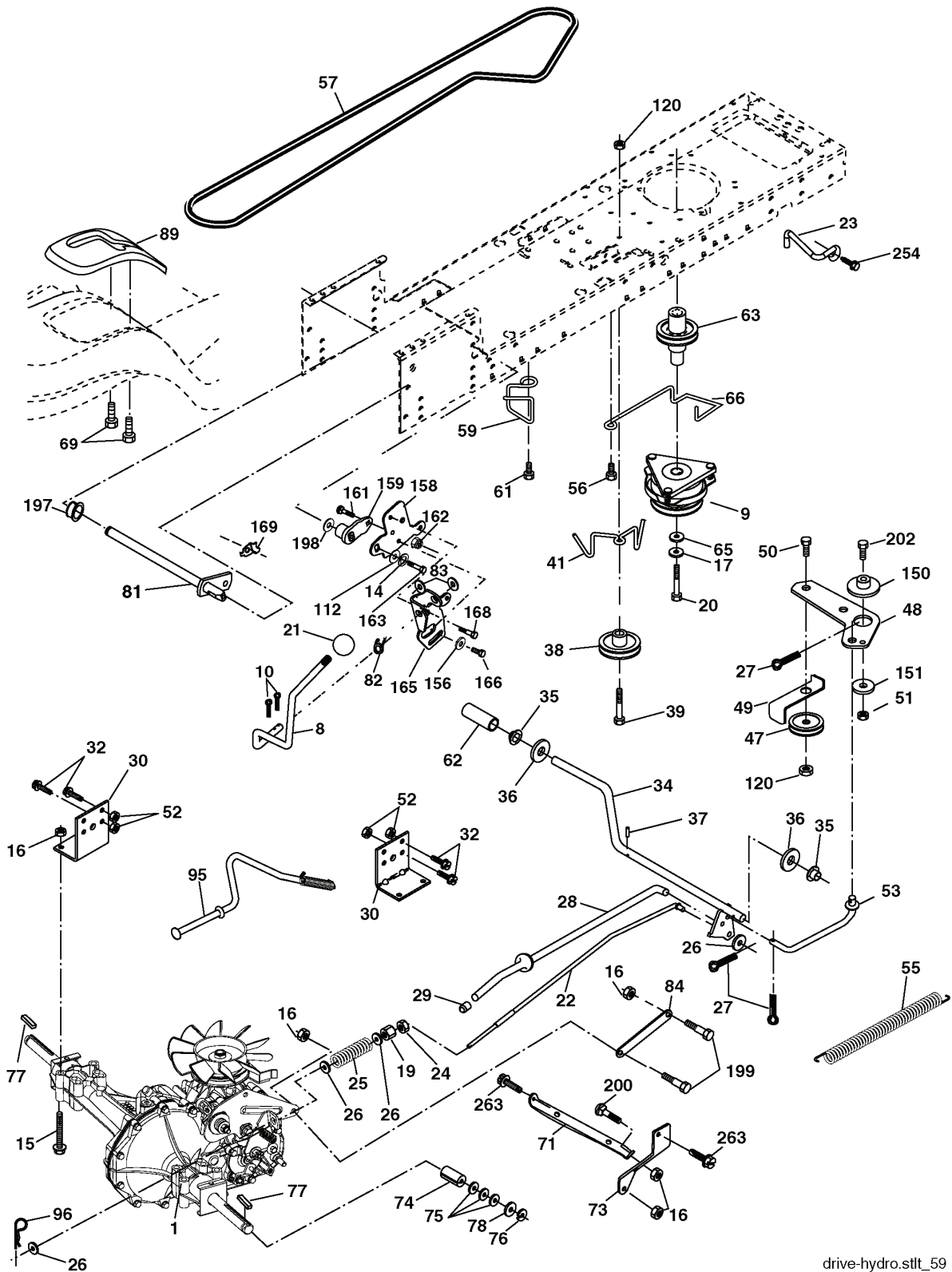


---

REF.	PART NO.	DESCRIPTION	REMARK	QTY.	KIT
1	532059192	CAP VALVE		1	
2	532065139	NIPPLE		1	
3	532106222	TIRE		1	
4	532059904	HOSE		1	
5	532138336	RIM		1	
6	532124957	FITTING		1	
7	532124959	BEARING		1	
8	532138337	RIM.SPROCKET		1	
9	532122082	TIRE		1	
10	532124926	HOSE		1	
11	532175039	HUB CAP		1	
--	532144334	SEALING FOAM		1	

# REPAIR PARTS

TRACTOR-MODEL NO. YTH180 XP (96011011900), PRODUCT NO. 960 11 01-19  
DRIVE



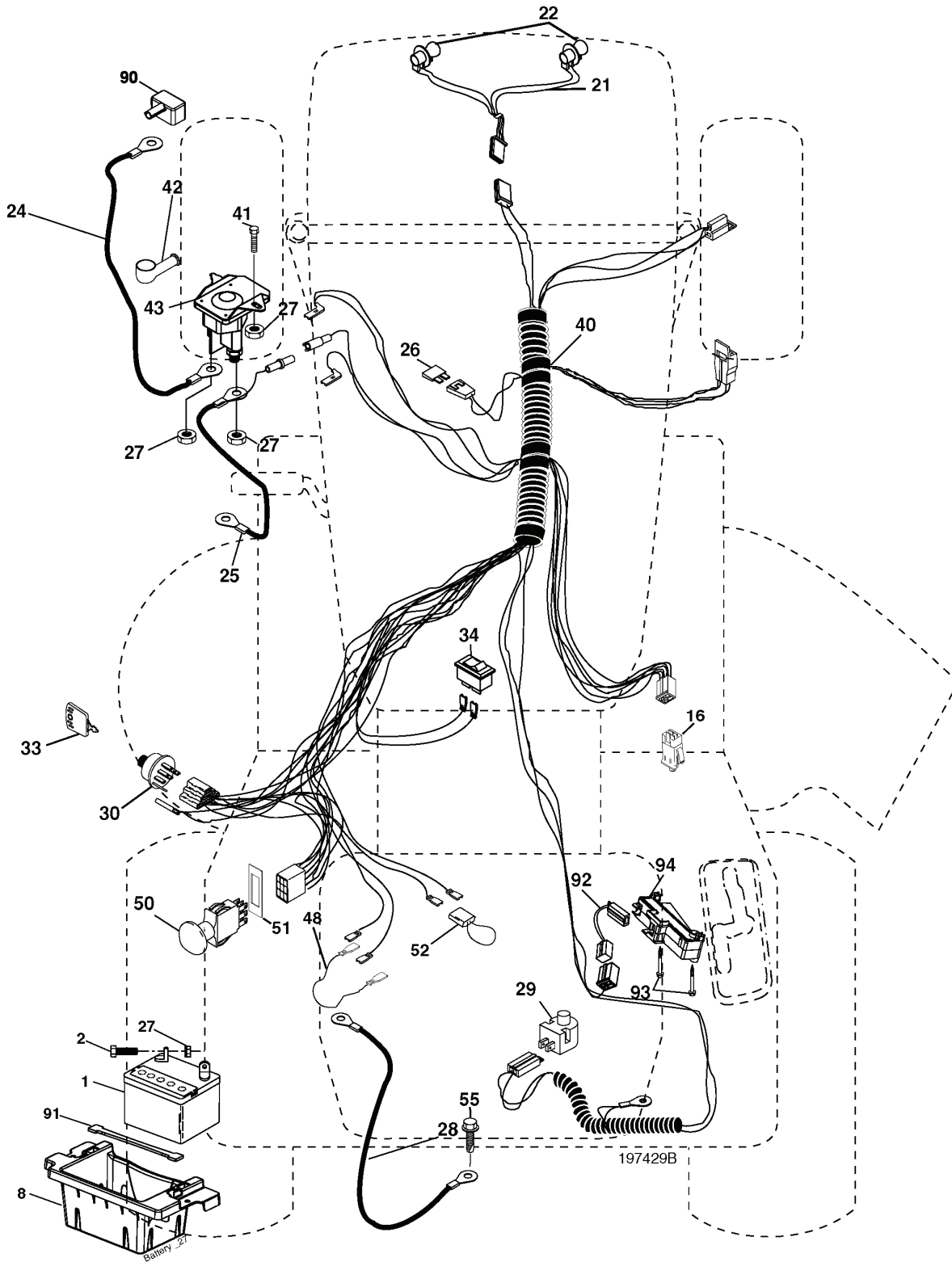
REF.	PART NO.	DESCRIPTION	REMARK	QTY.	KIT
8	532192502	ROD SHIFT		1	
9	532180220	CLUTCH		1	
10	876020416	SPLIT PIN		1	
14	810040400	WASHER		1	
15	874490544	SCREW		1	
16	873800500	LOCK NUT		1	
17	532126197	WASHER		1	
19	873800600	NUT		1	
20	532173937	BOLT		1	
21	532121274	KNOB		1	
22	532169498	ROD		1	
23	532190736	BRACKET		1	
24	873350600	NUT		1	
25	532106888	SPRING		1	
26	819131316	WASHER		1	
27	876020412	SPLIT PIN		1	
28	532175765	SHAFT		1	
29	532071673	COVER		1	
30	532169592	BRACKET		1	
32	874760512	BOLT		1	
34	532175578	SHAFT		1	
35	532120183	BEARING		1	
36	819211616	WASHER		1	
37	532124963	PIN RETAINING SCREW		1	
38	532179114	PULLEY		1	
39	872110622	BOLT		1	
41	532175556	BELT GUIDE		1	
47	532127783	PULLEY		1	
48	532154407	GUIDE		1	
49	532123205	BELT GUIDE		1	
50	872110612	BOLT		1	
51	873680600	NUT		1	
52	873680500	NUT		1	
53	532199652	TIGE DE TENSION POULIE		1	
55	532105709	SPRING		1	
56	817060620	SCREW		1	
57	532140294	BELT		1	
59	532169691	BELT GUIDE		1	
61	817120614	SCREW		1	
62	532123533	PEDAL RUBBER		1	
63	532174607	PULLEY		1	
65	810040700	WASHER		1	
66	532154778	TENSIONER		1	
69	532142432	SCREW		1	
71	532169183	ROD		1	
73	532169182	BRACKET		1	
74	532137057	SPACER		1	
75	532121749	WASHER		1	
76	812000001	RETAINER RING		1	
77	532123583	KEY		1	
78	532121748	WASHER		1	
81	532165596	SHAFT		1	
82	532165711	SPRING		1	
83	819171216	WASHER		1	
84	532169594	LINK		1	
89	532194810	CONSOLE. SHIFT. STL. AUTO GREY		1	
95	532170201	CONTROL		1	
96	532124788	RETAINER RING		1	
112	819091210	WASHER		1	
120	873900600	NUT		1	
150	532175456	SPACER		1	
151	819133210	WASHER		1	
156	532166002	WASHER		1	
158	532165589	BRACKET		1	
159	532183900	LEVER		1	
161	872140406	BOLT		1	
162	873680400	NUT		1	
163	874780416	BOLT		1	
165	532165623	BRACKET		1	
166	817490510	SCREW		1	
168	532165492	BOLT		1	
169	532165580	RETAINER		1	
197	532169613	SLEEVE		1	
198	532169593	WASHER		1	
199	532169612	SCREW		1	
200	872140508	BOLT		1	
202	872110614	BOLT		1	
254	817000616	SCREW		1	

---

REF.	PART NO.	DESCRIPTION	REMARK	QTY.	KIT
263	817000612	SCREW		1	

# REPAIR PARTS

TRACTOR-MODEL NO. YTH180 XP (96011011900), PRODUCT NO. 960 11 01-19  
ELECTRICAL





---

REF.	PART NO.	DESCRIPTION	REMARK	QTY.	KIT
1	532144927	BATTERY		1	
2	874760412	BOLT		1	
8	532186491	BOX		1	
16	532176138	MICRO SWITCH		1	
21	532175688	HARNESS		1	
22	532004152	BULB		1	
24	532124780	CABLE		1	
25	532146148	CABLE		1	
26	532175158	FUSE		1	
27	873510400	NUT		1	
28	532145491	CABLE		1	
29	532192749	SWITCH.SEAT.DP W/RAMPS		1	
30	532193350	IGNITION MODULE		1	
33	532140401	KEY		1	
34	532110712	SWITCH		1	
40	532197429	HARNESS		1	
41	871110408	BOLT		1	
42	532131563	COVER		1	
43	532192507	SOLENOID		1	
48	532140844	ADAPTER		1	
50	532174651	SWITCH		1	
51	532140405	FRAME		1	
52	532141940	WIRE		1	
55	817490508	SCREW		1	
90	532180449	COVER		1	
91	532190270	STRAP BATTERY MOUNT FRO		1	
92	532196615	CABLE ASSY		1	
93	532192540	SCREW		1	
94	532191834	MODULE.REVERSE.ROS		1	