

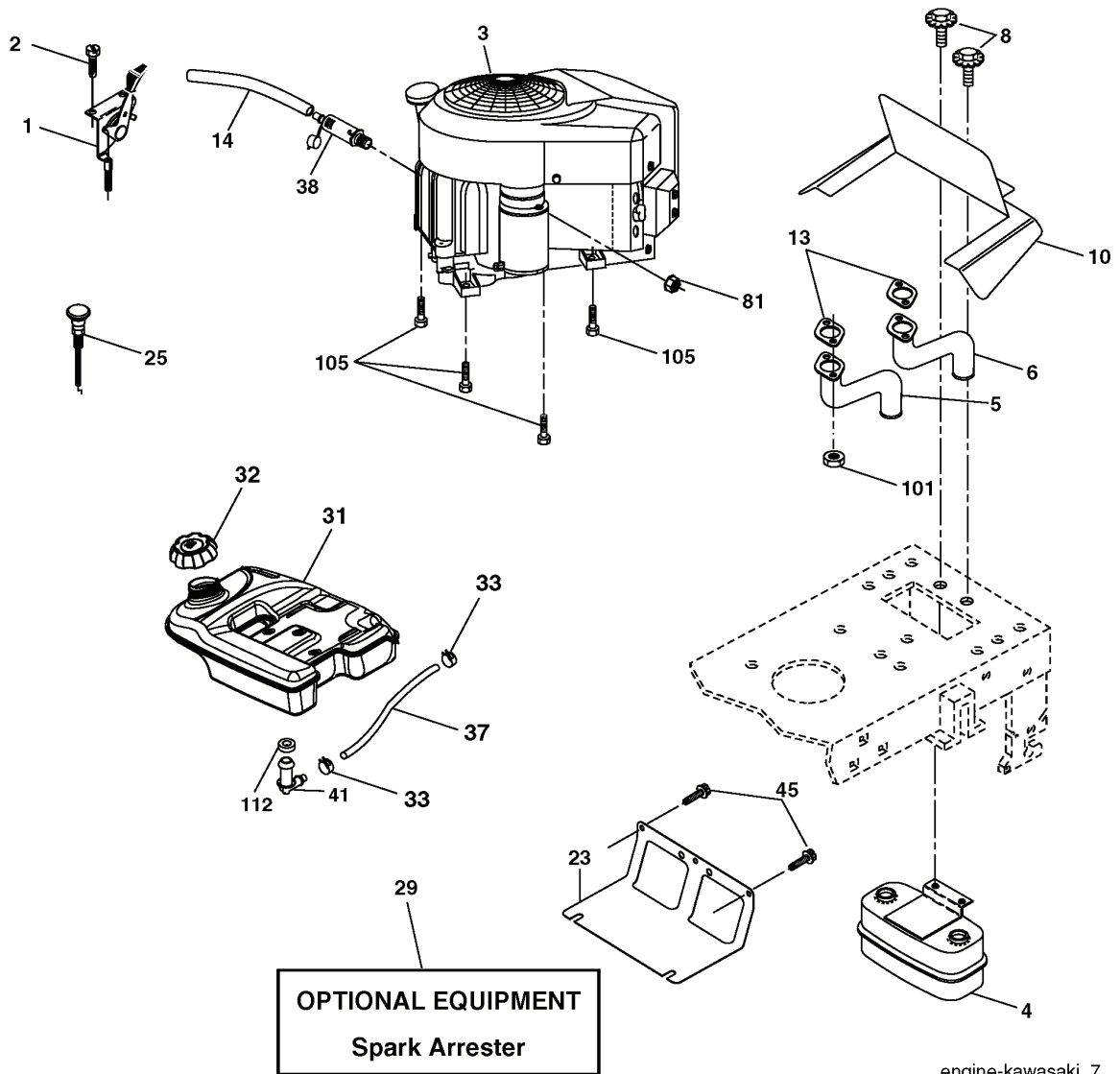
YTH1842 XP, 96011008301, 2005-04

---

# **SPARE PARTS LIST**

# REPAIR PARTS

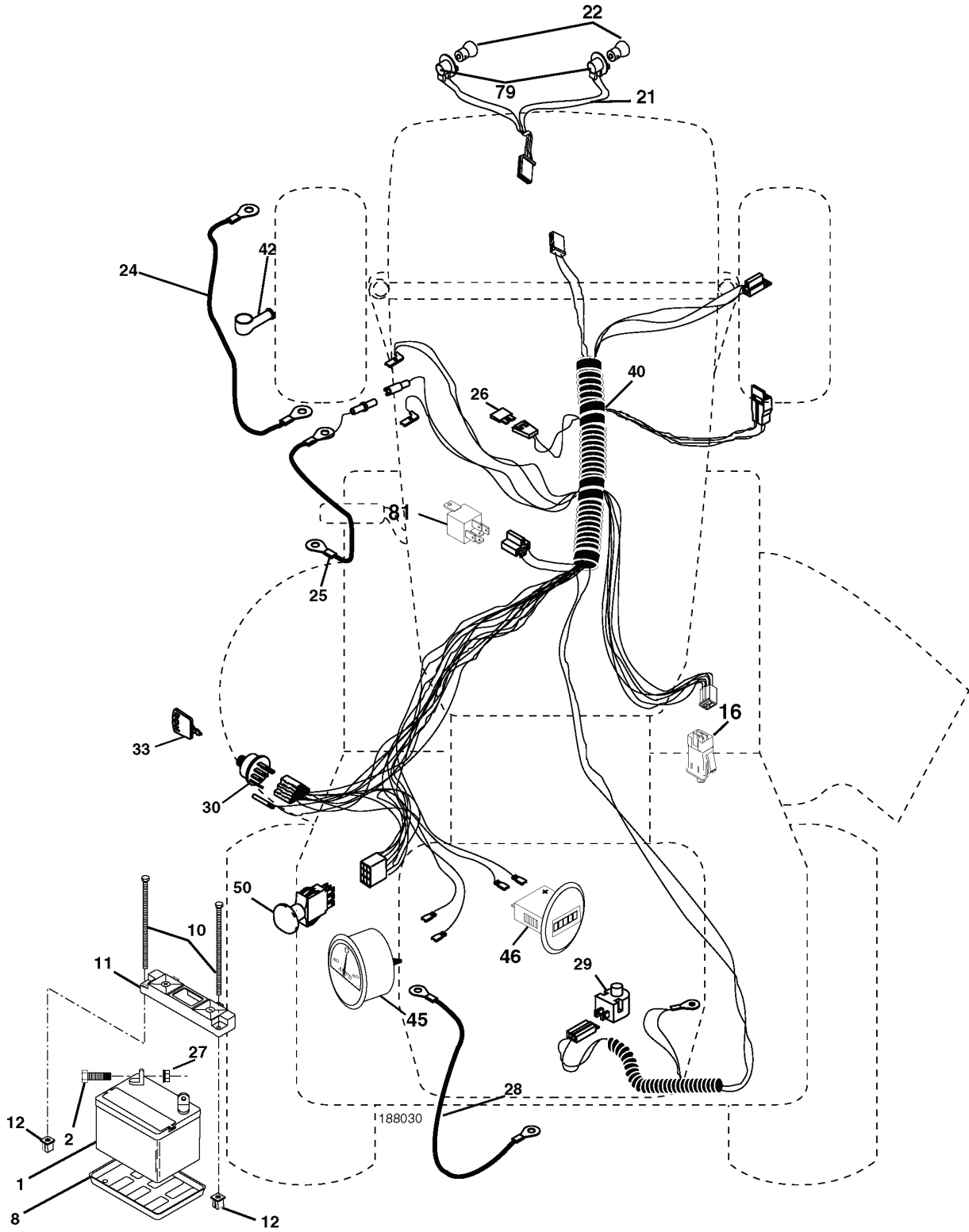
TRACTOR - MODEL NO. YTH1842XP (96011008301), PRODUCT NO. 960 11 00-83  
ENGINE



REF.	PART NO.	DESCRIPTION	REMARK	QTY.	KIT
1	532178385	THROTTLE TRIGGER		1	
2	532171875	SCREW		1	
4	532149723	MUFFLER		1	
5	532176067	TUBE		1	
6	532176068	TUBE		1	
8	532171877	BOLT		1	
10	532146629	HEAT SHIELD		1	
14	532148456	TUBE		1	
23	532169837	HEAT SHIELD		1	
25	532191596	COMMA*RPLPAR 532187767428		1	
29	532137180	SPARK ARRESTER KIT		1	
31	532179022	TANK FUEL 3 50 REAR		1	
32	532181803	TANK CAP		1	
33	532123487	HOSE CLAMP		1	
37	532142158	FULE LINE		1	
41	532139277	NIPPLE		1	
45	817000612	SCREW		1	
81	873510400	NUT		1	
101	532184362	NUT		1	
105	817120616	SCREW		1	
112	532124952	BUSHING		1	

# REPAIR PARTS

TRACTOR - MODEL NO. YTH1842XP (96011008301), PRODUCT NO. 960 11 00-83  
ELECTRICAL

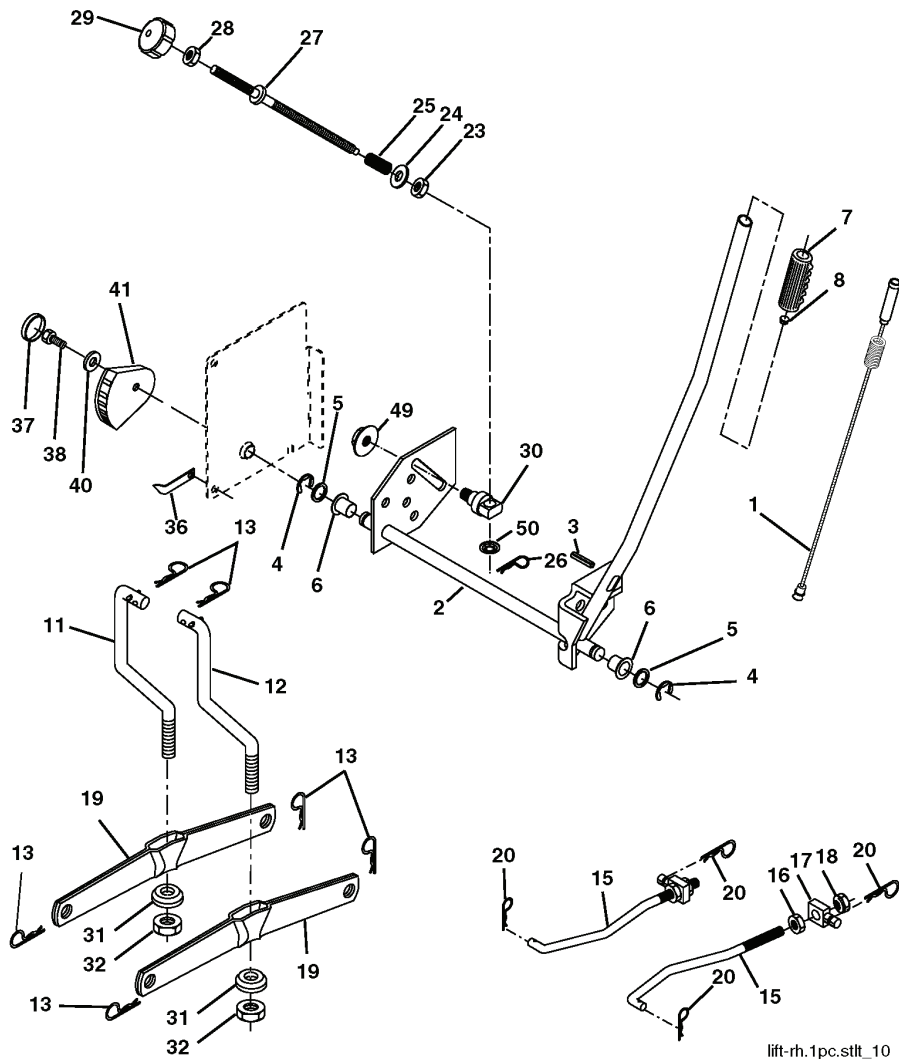


---

REF.	PART NO.	DESCRIPTION	REMARK	QTY.	KIT
1	532144927	BATTERY		1	
2	874760412	BOLT		1	
8	532124886	BATTERIE TRAY		1	
10	532145211	BOLT		1	
11	532150109	HOLDER		1	
12	532145769	NUT		1	
16	532176138	MICRO SWITCH		1	
21	532175688	HARNES		1	
22	532004152	BULB		1	
24	532146148	CABLE		1	
25	532008860	CABLE		1	
26	532175158	FUSE		1	
27	873510400	NUT		1	
28	532145491	CABLE		1	
29	532192749	SWITCH.SEAT.DP W/RAMPS		1	
30	532175566	SWITCH		1	
33	532140401	KEY		1	
40	532188030	CABLE ASSY		1	
41	817720408	SCREW		1	
42	532131563	COVER		1	
43	532178861	SOLENOID		1	
45	532177500	GUAGE		1	
46	532177501	GUAGE		1	
50	532174651	SWITCH		1	
79	532175242	HOLDER		1	
81	532109748	RELAY		1	

# REPAIR PARTS

TRACTOR - MODEL NO. YTH1842XP (96011008301), PRODUCT NO. 960 11 00-83  
MOWER LIFT



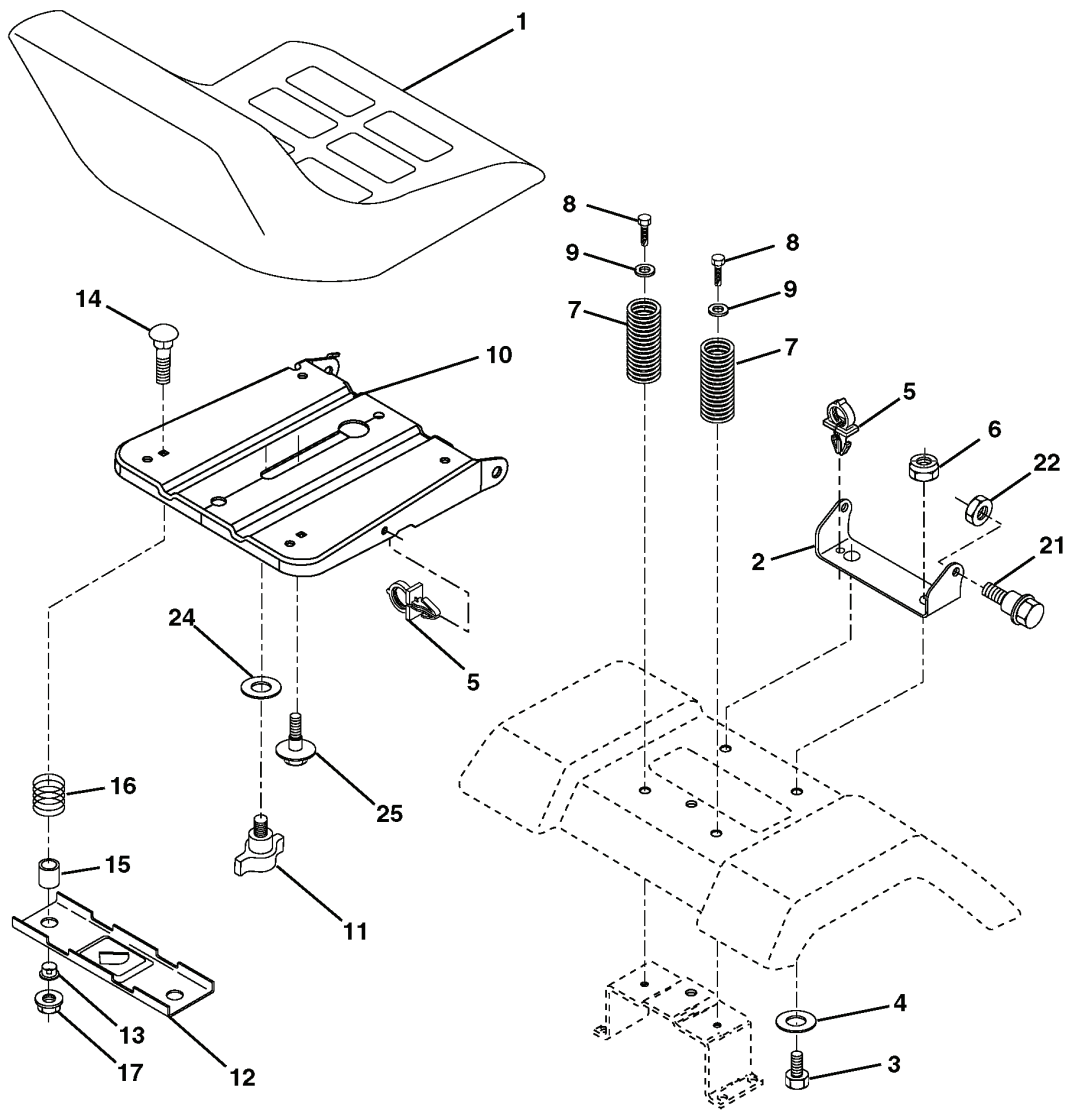
lift-rh.1pc.stlt\_10

REF.	PART NO.	DESCRIPTION	REMARK	QTY.	KIT
1	532159461	WIRE		1	
2	532159476	SHAFT		1	
3	532188822	GROOVED PIN		1	
4	812000002	RETAINER RING		1	
5	819211621	WASHER		1	
6	532120183	BEARING		1	
7	532125631	HANDLE		1	
8	532124526	KNOB		1	
11	532139865	LINK		1	
12	532139866	LINK		1	
13	532124670	RETAINER RING		1	
15	532173288	LINK		1	
16	873350800	NUT		1	
17	532175689	BRACKET		1	
18	873800800	NUT		1	
19	532139868	LEVER		1	
20	532163552	CLIP		1	
23	532110807	NUT		1	
24	819131016	WASHER		1	
25	532164024	SPRING		1	
26	532169484	PIN		1	
27	532164543	ROD		1	
28	873350600	NUT		1	
29	532138057	KNOB		1	
30	532150233	TRUNNION		1	
31	532169865	BEARING		1	
32	873540600	NUT		1	
36	532155097	INDICATOR		1	
37	532123935	PLUG		1	
38	817060516	SCREW		1	
40	819112410	WASHER		1	
41	532155098	LEVER		1	
49	532145212	NUT		1	
50	532110452	NUT		1	



# REPAIR PARTS

TRACTOR - MODEL NO. YTH1842XP (96011008301), PRODUCT NO. 960 11 00-83  
SEAT ASSEMBLY



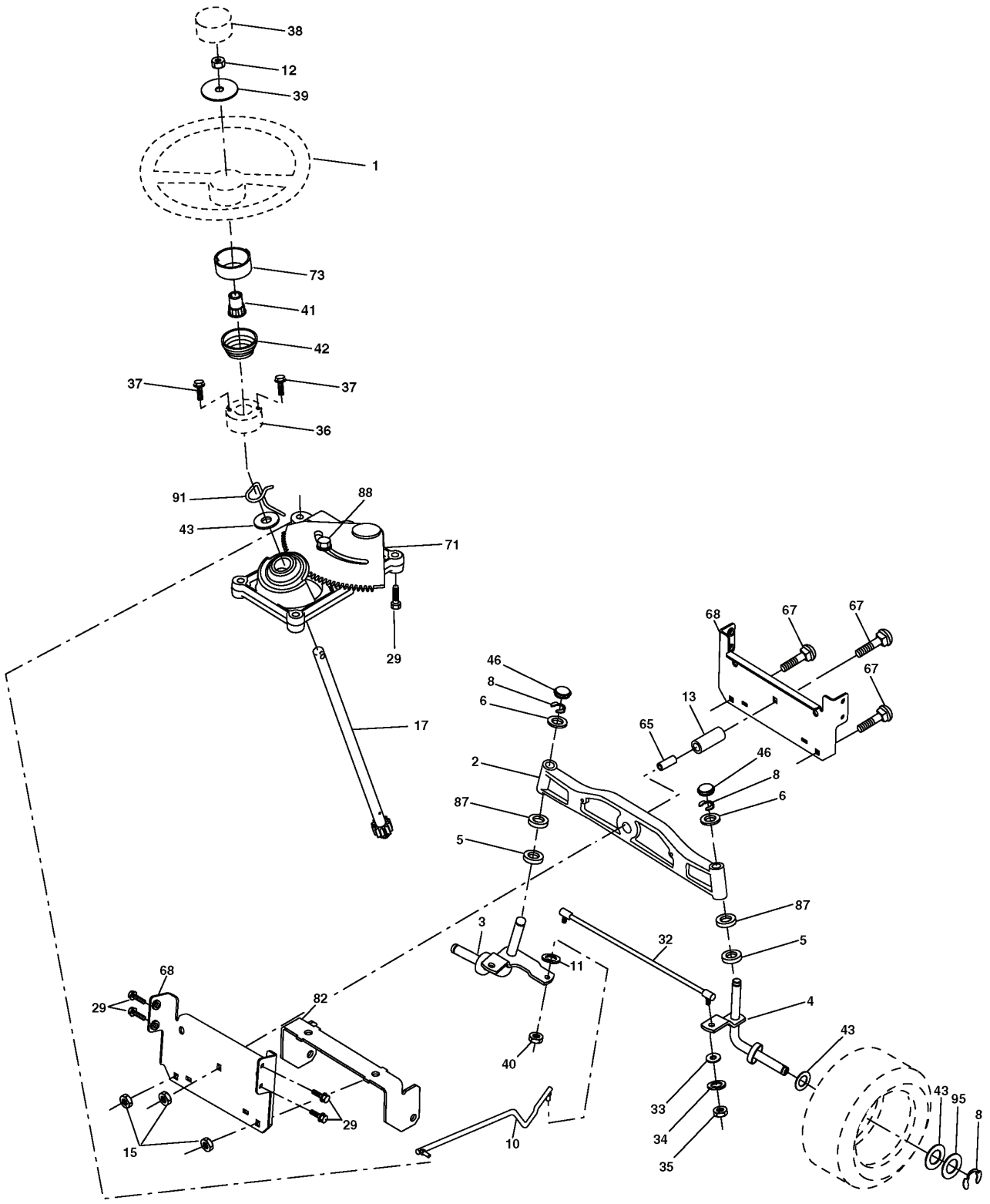
seat\_lt.knob\_13

---

REF.	PART NO.	DESCRIPTION	REMARK	QTY.	KIT
1	532184995	SEAT		1	
2	532140551	BRACKET		1	
3	871110616	SCREW		1	
4	819131610	WASHER		1	
5	532145006	CLIP		1	
6	873800600	NUT		1	
7	532124181	SPRING		1	
8	817000616	SCREW		1	
9	819131614	WASHER		1	
10	532182493	BRACKET		1	
11	532166369	WING NUT		1	
12	532174648	BRACKET		1	
13	532121248	BUSHING		1	
14	872050412	BOLT		1	
15	532121249	SPACER		1	
16	532123740	SPRING		1	
17	532123976	LOCKNUT		1	
21	532171852	BOLT		1	
22	873800500	LOCK NUT		1	
24	819171912	WASHER		1	
25	532127018	BOLT		1	

# REPAIR PARTS

TRACTOR - MODEL NO. YTH1842XP (96011008301), PRODUCT NO. 960 11 00-83  
STEERING ASSEMBLY

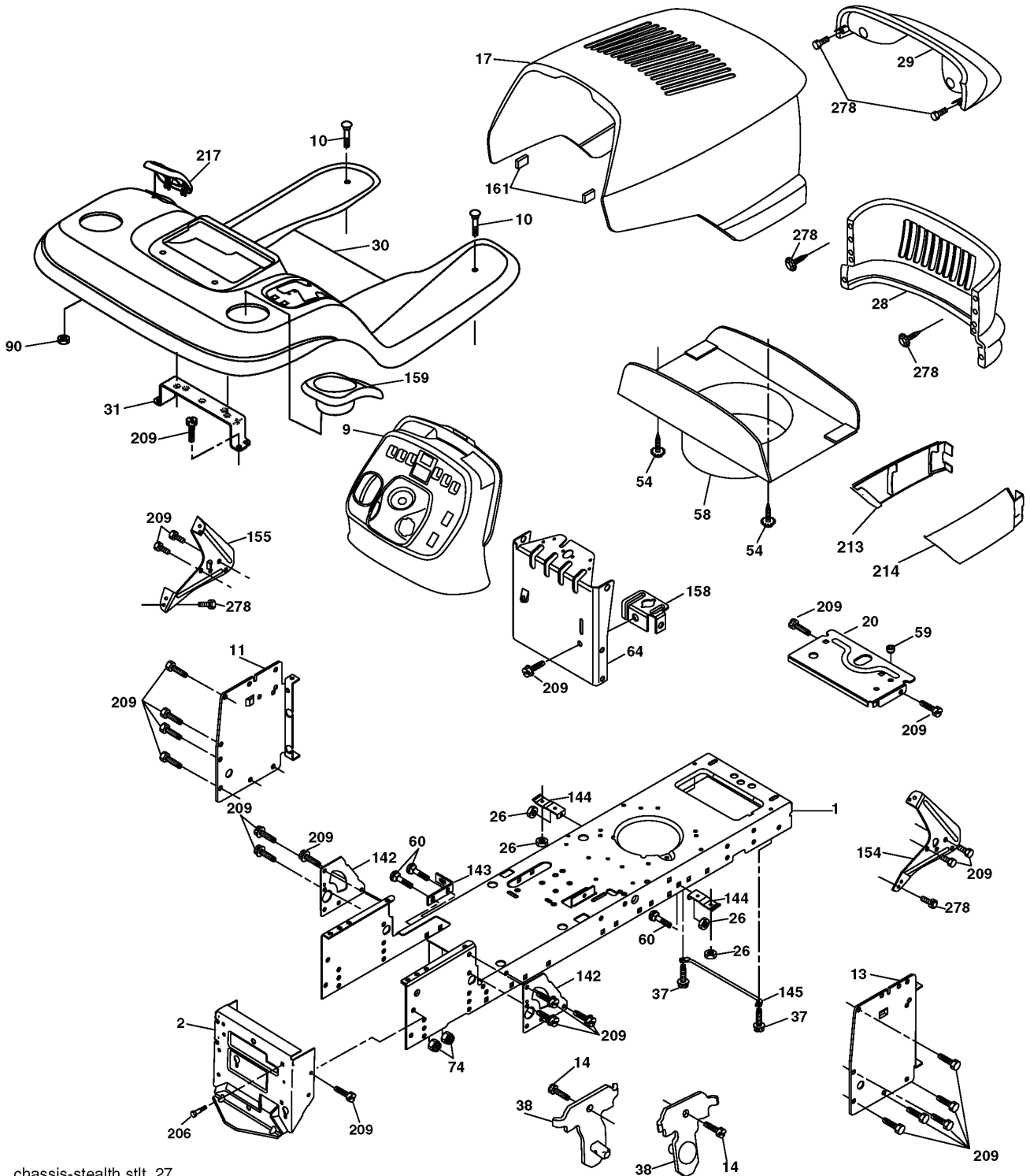


steering\_stealth\_prem\_3

REF.	PART NO.	DESCRIPTION	REMARK	QTY.	KIT
1	532166627	STEERING WHEEL		1	
2	532184706	SHAFT		1	
3	532169840	SPINDLE		1	
4	532169839	SPINDLE		1	
5	532124931	WASHER		1	
6	532121748	WASHER		1	
8	812000029	RETAINER RING		1	
10	532175121	ROD		1	
11	810040600	WASHER		1	
12	873940800	NUT		1	
13	532136518	PIPE		1	
15	532145212	NUT		1	
17	532177883	SHAFT		1	
29	817000612	SCREW		1	
32	532171888	ROD		1	
33	819111216	WASHER		1	
34	810040500	WASHER		1	
35	873540500	NUT		1	
36	532155105	BUSHING		1	
37	532152927	SCREW		1	
38	532166626	INSERT		1	
39	819182411	WASHER		1	
40	873540600	NUT		1	
41	532159945	ADAPTER		1	
42	532190112	SLEEVE		1	
43	532121749	WASHER		1	
46	532121232	HUB CAP		1	
65	532160367	SPACER		1	
67	872110618	BOLT		1	
68	532169827	SHAFT		1	
71	532175146	STEERING GEAR		1	
73	532177593	RALLONGE*RPLPAR 532160135		1	
82	532169835	BRACKET		1	
87	532173966	WASHER		1	
88	532175118	BOLT		1	
91	532175553	SPRING		1	
95	532188967	WASHER		1	

# REPAIR PARTS

TRACTOR - MODEL NO. YTH1842XP (96011008301), PRODUCT NO. 960 11 00-83  
CHASSIS AND ENCLOSURES

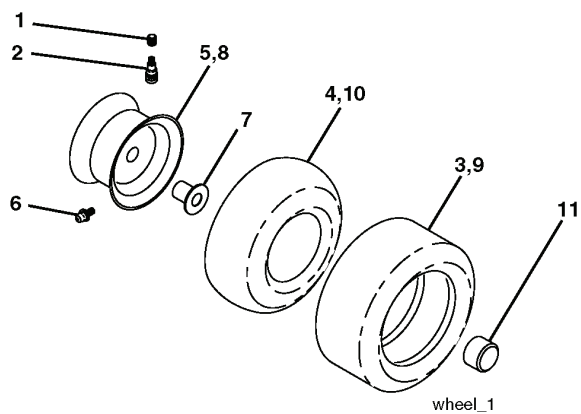


REF.	PART NO.	DESCRIPTION	REMARK	QTY.	KIT
1	532174619	FRAME		1	
2	532176554	PLATE		1	
9	532195886	PANEL		1	
10	872140608	BOLT		1	
11	532167203	PLATE		1	
13	532178298	PANEL		1	
14	817490608	SCREW		1	
17	532190055	HOOD		1	
20	532162026	PLATE		1	
26	873800600	NUT		1	
28	532182873	CALA*RPL.PAR 532175289418		1	
29	532188212	LENS		1	
30	532191815	GUARD		1	
31	532139976	BRACKET		1	
37	817490508	SCREW		1	
38	532175710	BRACKET		1	
54	532161464	SCREW		1	
58	532189876	AIR CONDUCTOR		1	
59	532187495	BUSHING		1	
60	872140606	BOLT		1	
64	532174997	DASH		1	
74	873680600	NUT		1	
90	532124346	NUT		1	
142	532175702	PLATE		1	
143	532186689	BRACKET		1	
144	532175582	BRACKET		1	
145	532156524	SHAFT		1	
154	532161897	BRACKET		1	
155	532161900	BRACKET		1	
158	532162037	BRACKET		1	
159	532185434	HOLDER		1	
161	532164655	ABSORBER		1	
206	532170165	BOLT		1	
209	817000612	SCREW		1	
213	532177587	COTE*RPL.PAR 532169848418		1	
214	532177586	COTE*RPL.PAR 532169847418		1	
217	532185436	BRACKET		1	
278	532191611	SCREW		1	

## REPAIR PARTS

TRACTOR - MODEL NO. YTH1842XP (96011008301), PRODUCT NO. 960 11 00-83

### WHEELS & TIRES



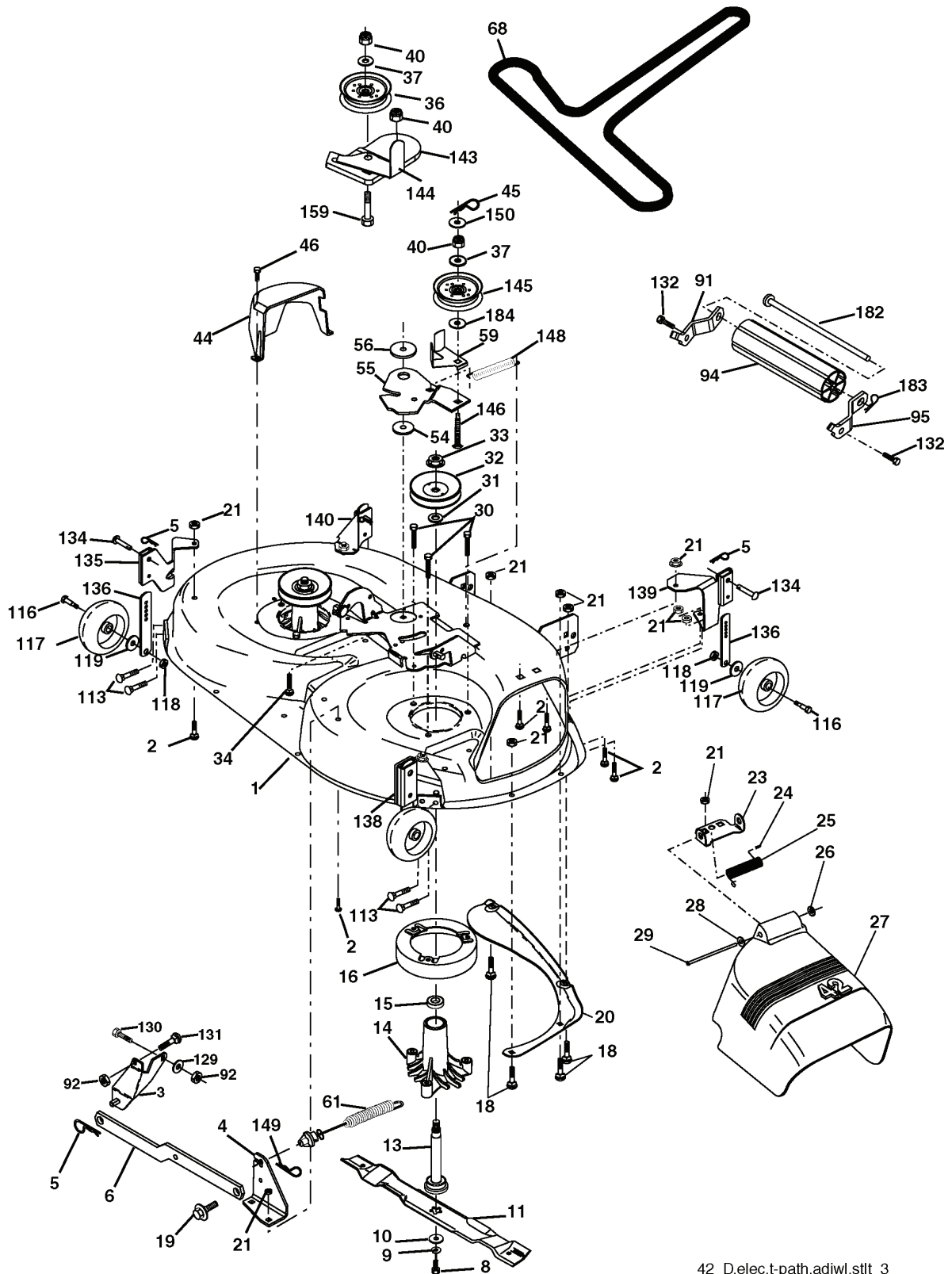
---

REF.	PART NO.	DESCRIPTION	REMARK	QTY.	KIT
1	532059192	CAP VALVE		1	
2	532065139	NIPPLE		1	
3	532106222	TIRE		1	
4	532059904	HOSE		1	
5	532138336	RIM		1	
6	532124957	FITTING		1	
7	532124959	BEARING		1	
8	532138337	RIM SPROCKET		1	
9	532122082	TIRE		1	
10	532124926	HOSE		1	
11	532175039	HUB CAP		1	
--	532144334	SEALING FOAM		1	



# REPAIR PARTS

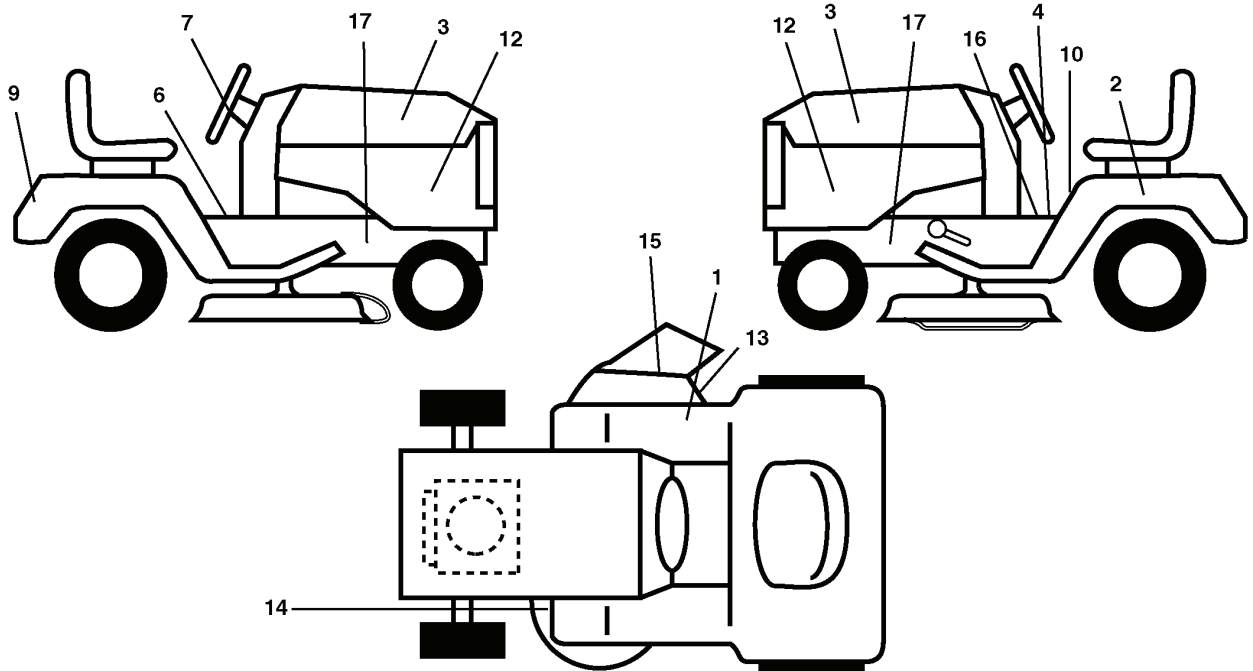
TRACTOR - MODEL NO. YTH1842XP (96011008301), PRODUCT NO. 960 11 00-83  
MOWER DECK



REF.	PART NO.	DESCRIPTION	REMARK	QTY.	KIT
1	532185438	MOWER DECK ASSY 42"		1	
2	872140506	BOLT		1	
3	532138017	BRACKE		1	
4	532165460	BRACKET		1	
5	532124670	RETAINER RING		1	
6	532178024	LEVER		1	
8	532850857	BOLT		1	
9	810030600	WASHER		1	
10	532140296	WASHER		1	
11	532138971	BLADE		1	
13	532137645	SHAFT		1	
14	532128774	BEARING HOUSING		1	
15	532110485	BEARING		1	
16	532174493	STRIPPER, MANDREL.BLACK		1	
18	872140505	BOLT		1	
19	532132827	SPEC. BOLT		1	
20	532159770	RAIL		1	
21	873680500	NUT		1	
23	532177563	BRACKET		1	
24	532105304	HUB CAP		1	
25	532123713	SPRING		1	
26	532110452	NUT		1	
27	532171859	SHIELD DEFL ECTOR		1	
28	819111016	WASHER		1	
29	532131491	SHAFT		1	
30	532173984	SCREW		1	
31	532187690	WASHER		1	
32	532173436	PULLEY		1	
33	532178342	NUT		1	
34	872110612	BOLT		1	
36	532173438	PULLEY		1	
40	873900600	NUT		1	
44	532140088	GUARD		1	
45	532124788	RETAINER RING		1	
46	532137729	SCREW		1	
54	532178515	WASHER		1	
55	532155046	LEVER		1	
56	532122052	SPACER		1	
59	532173442	GUIDE		1	
61	532174882	SPRING		1	
68	532174883	BELT		1	
91	532180532	BRACKET		1	
92	873800600	NUT		1	
94	532132264	ROLLER		1	
95	532180533	BRACKET		1	
113	817060512	SCREW		1	
116	532193406	BOLT		1	
117	532174873	WHEEL		1	
118	873930600	NUT		1	
119	819121414	WASHER		1	
129	819131312	WASHER		1	
130	874780616	BOLT		1	
131	872140608	BOLT		1	
132	817000612	SCREW		1	
134	532156941	PIN RETAINING SCREW		1	
135	532178074	BRACKET		1	
136	532155986	BAR		1	
138	532178075	REPL BY 532 1597-63		1	
139	532178077	BRACKET		1	
140	532178076	BRACKET		1	
143	532157109	BRACKET		1	
144	532173441	BELT GUIDE		1	
145	532173437	PULLEY		1	
146	532173443	SCREW		1	
148	532169022	SPRING		1	
149	532165898	SPRING		1	
150	819091210	WASHER		1	
159	872140614	BOLT		1	
182	532179126	PIN RETAINING SCREW		1	
183	532163552	CLIP		1	
184	819131410	WASHER		1	
--	532130794	MANDREL		1	
--	532176050	DECK		1	

## REPAIR PARTS

TRACTOR - MODEL NO. YTH1842XP (96011008301), PRODUCT NO. 960 11 00-83  
DECALS

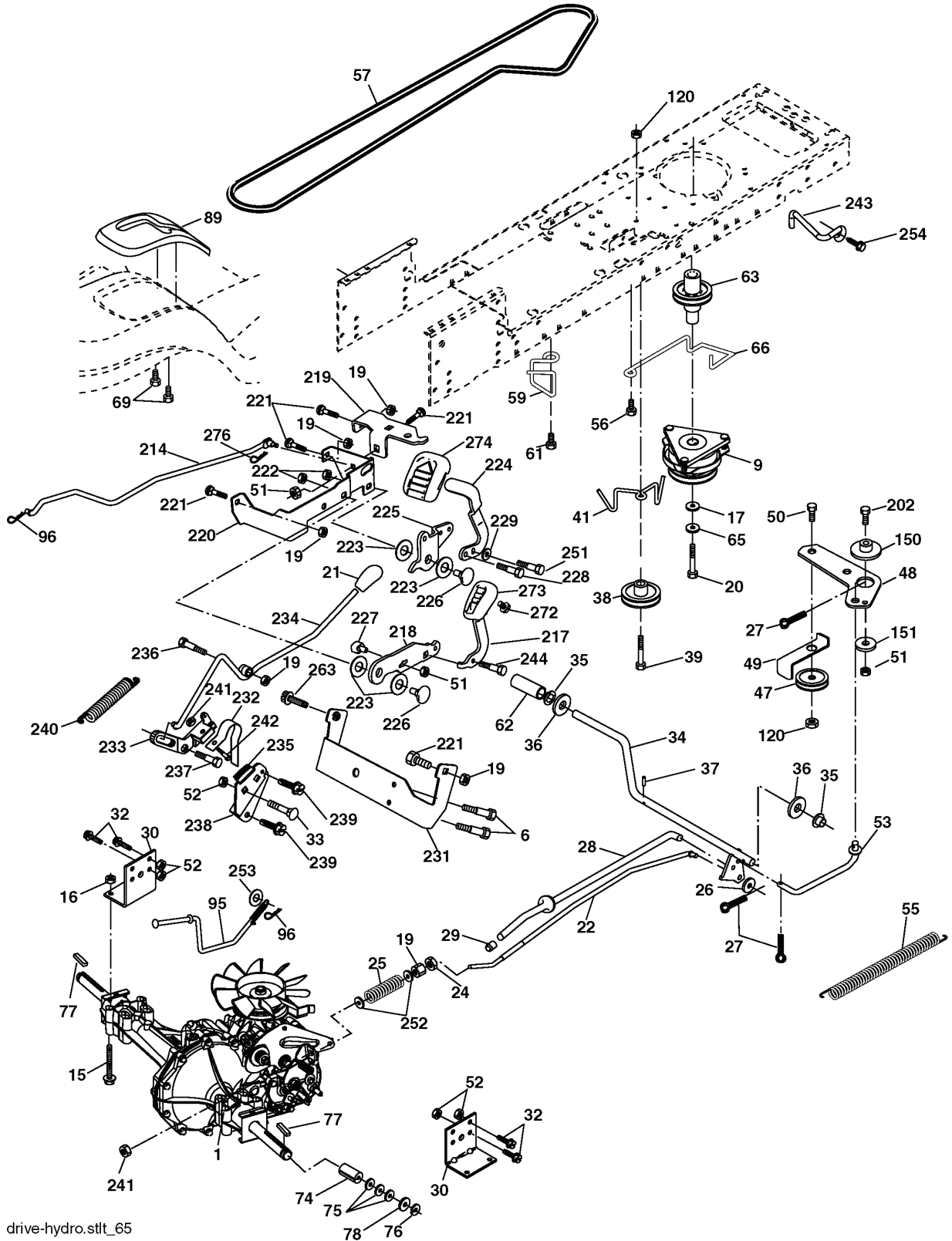


---

REF.	PART NO.	DESCRIPTION	REMARK	QTY.	KIT
1	532168869	DECAL		1	
2	532145005	DECAL		1	
3	532188921	DECAL		1	
4	532178302	DECAL		1	
6	532140837	DECAL		1	
7	532188925	DECAL		1	
9	532195766	DECAL		1	
10	532145498	DECAL		1	
12	532196324	DECAL		1	
13	532182166	DECAL		1	
14	532160396	DECAL		1	
15	532179128	DECAL		1	
16	532159737	DECAL		1	
17	532159736	DECAL		1	
--	532162598	DECAL		1	
--	532181495	SUPPORT		1	
--	532181496	SUPPORT		1	
--	532166960	DECAL		1	
--	532198185	OPERATORS MANUAL		1	

# REPAIR PARTS

TRACTOR - MODEL NO. YTH1842XP (96011008301), PRODUCT NO. 960 11 00-83  
DRIVE



REF.	PART NO.	DESCRIPTION	REMARK	QTY.	KIT
6	817060512	SCREW		1	
9	532180505	CLUTCH		1	
15	874490544	SCREW		1	
16	873800500	LOCK NUT		1	
17	532126197	WASHER		1	
19	873800600	NUT		1	
20	532173937	BOLT		1	
21	532181454	KNOB		1	
22	532175896	ROD		1	
24	873350600	NUT		1	
25	532192036	SPRING		1	
26	819131316	WASHER		1	
27	876020412	SPLIT PIN		1	
28	532175765	SHAFT		1	
29	532071673	COVER		1	
30	532169592	BRACKET		1	
32	874760512	BOLT		1	
34	532175578	SHAFT		1	
35	532120183	BEARING		1	
36	819211616	WASHER		1	
37	532124963	PIN RETAINING SCREW		1	
38	532179114	PULLEY		1	
39	872110622	BOLT		1	
41	532175556	BELT GUIDE		1	
47	532127783	PULLEY		1	
48	532154407	GUIDE		1	
49	532123205	BELT GUIDE		1	
50	872110612	BOLT		1	
51	873680600	NUT		1	
52	873680500	NUT		1	
53	532105710	LINK		1	
55	532105709	SPRING		1	
56	817060620	SCREW		1	
57	532140294	BELT		1	
59	532169691	BELT GUIDE		1	
61	817120614	SCREW		1	
62	532124872	PEDAL RUBBER		1	
63	532174607	PULLEY		1	
64	532173937	BOLT		1	
65	810040700	WASHER		1	
66	532154778	TENSIONER		1	
69	532142432	SCREW		1	
74	532137057	SPACER		1	
75	532121749	WASHER		1	
76	812000001	RETAINER RING		1	
77	532123583	KEY		1	
78	532121748	WASHER		1	
89	532191915	GRILLE DE VITESSE		1	
95	532180825	ROD		1	
96	532124788	RETAINER RING		1	
120	873900600	NUT		1	
150	532175456	SPACER		1	
151	819133210	WASHER		1	
202	872110614	BOLT		1	
214	532174735	LINK		1	
217	532179433	PEDAL		1	
218	532174713	LINK		1	
219	532174839	BRACKET		1	
220	532174711	BRACKET		1	
221	872140606	BOLT		1	
222	873680700	NUT		1	
223	532174840	WASHER		1	
224	532174736	PEDAL		1	
225	532174712	LINK		1	
226	532174902	BOLT		1	
227	532174710	CAM		1	
228	532179032	BOLT		1	
229	532176451	WASHER		1	
231	532174573	STRAP		1	
232	532175570	ACTIWATER		1	
233	532174856	PAWL		1	
234	532174858	LEVER		1	
235	532174857	PAWL		1	
236	532128903	BOLT		1	
237	532170165	BOLT		1	
238	532175807	LEVER		1	
239	817490508	SCREW		1	
240	532175610	SPRING		1	

---

REF.	PART NO.	DESCRIPTION	REMARK	QTY.	KIT
241	873930400	NUT		1	
242	874780412	BOLT		1	
243	532190736	BRACKET		1	
244	817490510	SCREW		1	
251	817060516	SCREW		1	
253	532179422	WASHER		1	
254	817000616	SCREW		1	
263	817000612	SCREW		1	
272	817670508	SCREW		1	
273	532179610	COVER		1	
274	532175646	COVER		1	
276	532178062	CLIP		1	