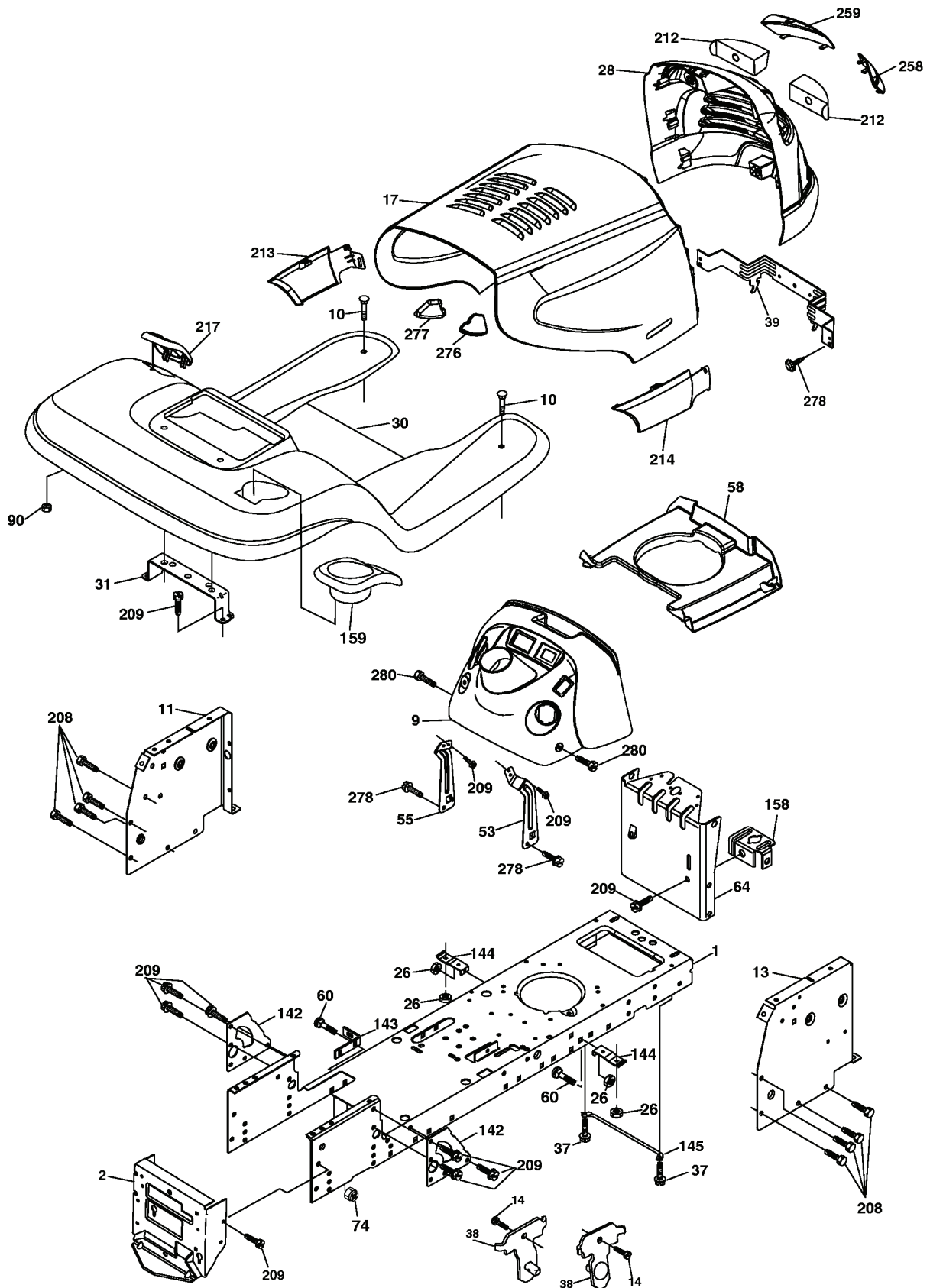


YTH2148, LO21H48E, 954572035, 2005-05

SPARE PARTS LIST

REPAIR PARTS

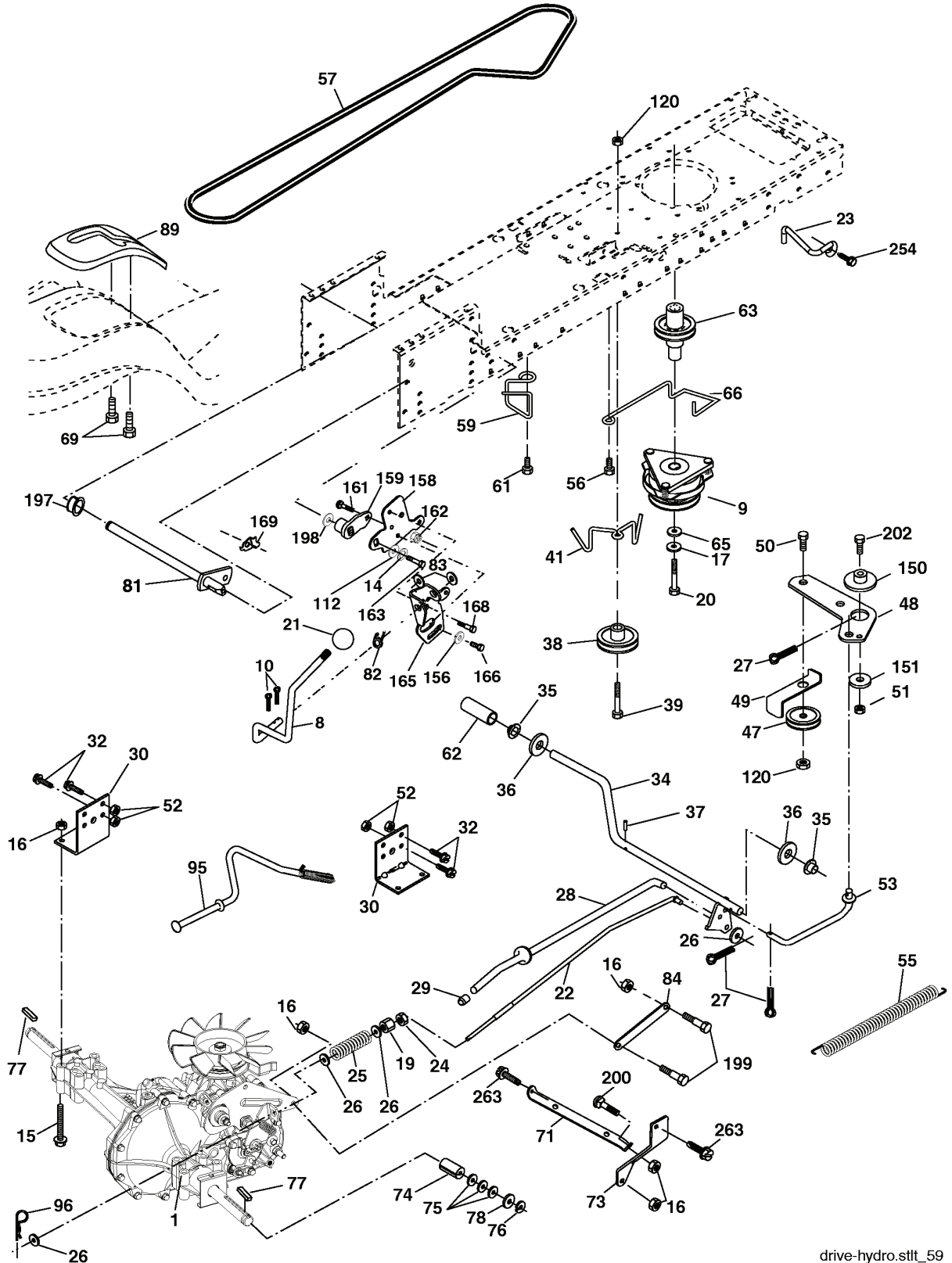
TRACTOR - MODEL NO. YTH2148 (LO21H48E), PRODUCT NO. 954 57 20-35
CHASSIS AND ENCLOSURES



| REF. | PART NO. | DESCRIPTION | REMARK | QTY. | KIT |
|------|-----------|------------------------|--------|------|-----|
| 1 | 532174619 | FRAME | | 1 | |
| 2 | 532176554 | PLATE | | 1 | |
| 10 | 872140608 | BOLT | | 1 | |
| 11 | 532174996 | DASHBOARD | | 1 | |
| 13 | 532181719 | DASHBOARD | | 1 | |
| 14 | 817490608 | SCREW | | 1 | |
| 26 | 873800600 | NUT | | 1 | |
| 30 | 532191815 | GUARD | | 1 | |
| 31 | 532139976 | BRACKET | | 1 | |
| 37 | 817490508 | SCREW | | 1 | |
| 38 | 532175710 | BRACKET | | 1 | |
| 39 | 532174714 | BRACKET PIVOT LASER LT | | 1 | |
| 60 | 872140606 | BOLT | | 1 | |
| 64 | 532174997 | DASH | | 1 | |
| 74 | 873680600 | NUT | | 1 | |
| 90 | 532124346 | NUT | | 1 | |
| 142 | 532175702 | PLATE | | 1 | |
| 143 | 532186689 | BRACKET | | 1 | |
| 144 | 532175582 | BRACKET | | 1 | |
| 145 | 532156524 | SHAFT | | 1 | |
| 158 | 532162037 | BRACKET | | 1 | |
| 159 | 532192404 | CUPHOLDER | | 1 | |
| 208 | 817670608 | SCREW | | 1 | |
| 209 | 817000612 | SCREW | | 1 | |
| 217 | 532185436 | BRACKET | | 1 | |
| 280 | 817000616 | SCREW | | 1 | |
| -- | 532191611 | SCREW | | 1 | |

REPAIR PARTS

TRACTOR - MODEL NO. YTH2148 (LO21H48E), PRODUCT NO. 954 57 20-35
DRIVE

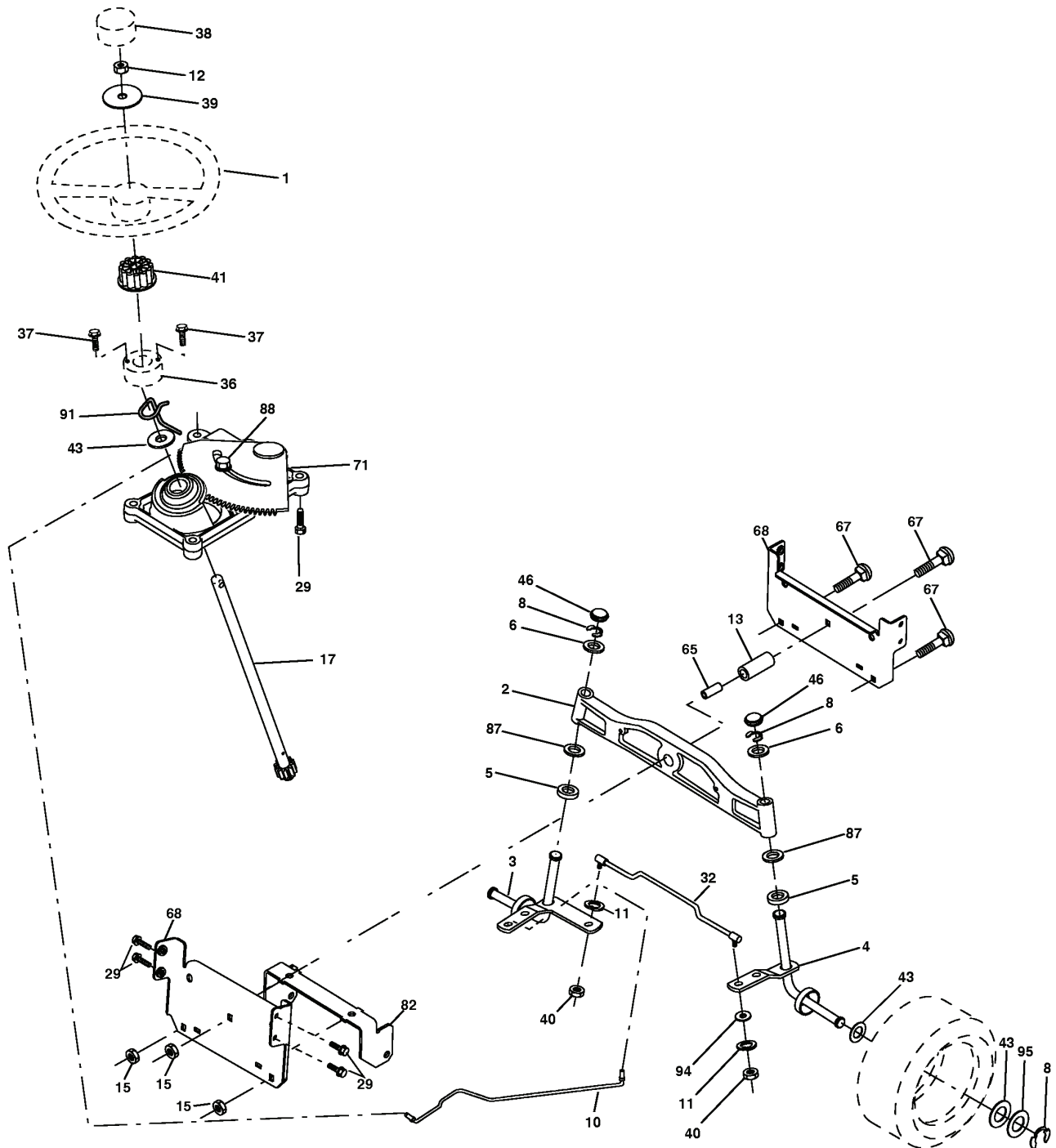


| REF. | PART NO. | DESCRIPTION | REMARK | QTY. | KIT |
|------|-----------|---------------------|--------|------|-----|
| 8 | 532165866 | ROD | | 1 | |
| 9 | 532179334 | CLUTCH ELEC. | | 1 | |
| 10 | 876020416 | SPLIT PIN | | 1 | |
| 14 | 810040400 | WASHER | | 1 | |
| 15 | 874490544 | SCREW | | 1 | |
| 16 | 873800500 | LOCK NUT | | 1 | |
| 17 | 532126197 | WASHER | | 1 | |
| 19 | 873800600 | NUT | | 1 | |
| 20 | 532173937 | BOLT | | 1 | |
| 21 | 532140845 | KNOB | | 1 | |
| 22 | 532169498 | ROD | | 1 | |
| 23 | 532190736 | BRACKET | | 1 | |
| 24 | 873350600 | NUT | | 1 | |
| 25 | 532106888 | SPRING | | 1 | |
| 26 | 819131316 | WASHER | | 1 | |
| 27 | 876020412 | SPLIT PIN | | 1 | |
| 28 | 532175765 | SHAFT | | 1 | |
| 29 | 532071673 | COVER | | 1 | |
| 30 | 532169592 | BRACKET | | 1 | |
| 32 | 874760512 | BOLT | | 1 | |
| 34 | 532175578 | SHAFT | | 1 | |
| 35 | 532120183 | BEARING | | 1 | |
| 36 | 819211616 | WASHER | | 1 | |
| 37 | 532124963 | PIN RETAINING SCREW | | 1 | |
| 38 | 532179114 | PULLEY | | 1 | |
| 39 | 872110622 | BOLT | | 1 | |
| 41 | 532175556 | BELT GUIDE | | 1 | |
| 47 | 532127783 | PULLEY | | 1 | |
| 48 | 532154407 | GUIDE | | 1 | |
| 49 | 532123205 | BELT GUIDE | | 1 | |
| 50 | 872110612 | BOLT | | 1 | |
| 51 | 873680600 | NUT | | 1 | |
| 52 | 873680500 | NUT | | 1 | |
| 53 | 532105710 | LINK | | 1 | |
| 55 | 532105709 | SPRING | | 1 | |
| 56 | 817060620 | SCREW | | 1 | |
| 57 | 532140294 | BELT | | 1 | |
| 59 | 532169691 | BELT GUIDE | | 1 | |
| 61 | 817120614 | SCREW | | 1 | |
| 62 | 532124872 | PEDAL RUBBER | | 1 | |
| 63 | 532174607 | PULLEY | | 1 | |
| 65 | 810040700 | WASHER | | 1 | |
| 66 | 532154778 | TENSIONER | | 1 | |
| 69 | 532142432 | SCREW | | 1 | |
| 71 | 532169183 | ROD | | 1 | |
| 73 | 532169182 | BRACKET | | 1 | |
| 74 | 532137057 | SPACER | | 1 | |
| 75 | 532121749 | WASHER | | 1 | |
| 76 | 812000001 | RETAINER RING | | 1 | |
| 77 | 532123583 | KEY | | 1 | |
| 78 | 532121748 | WASHER | | 1 | |
| 81 | 532165596 | SHAFT | | 1 | |
| 82 | 532165711 | SPRING | | 1 | |
| 83 | 819171216 | WASHER | | 1 | |
| 84 | 532169594 | LINK | | 1 | |
| 89 | 532191816 | BRACKET | | 1 | |
| 95 | 532170201 | CONTROL | | 1 | |
| 96 | 532124788 | RETAINER RING | | 1 | |
| 112 | 819091210 | WASHER | | 1 | |
| 120 | 873900600 | NUT | | 1 | |
| 150 | 532175456 | SPACER | | 1 | |
| 151 | 819133210 | WASHER | | 1 | |
| 156 | 532166002 | WASHER | | 1 | |
| 158 | 532165589 | BRACKET | | 1 | |
| 159 | 532183900 | LEVER | | 1 | |
| 161 | 872140406 | BOLT | | 1 | |
| 162 | 873680400 | NUT | | 1 | |
| 163 | 874780416 | BOLT | | 1 | |
| 165 | 532165623 | BRACKET | | 1 | |
| 166 | 817490510 | SCREW | | 1 | |
| 168 | 532165492 | BOLT | | 1 | |
| 169 | 532165580 | RETAINER | | 1 | |
| 197 | 532169613 | SLEEVE | | 1 | |
| 198 | 532169593 | WASHER | | 1 | |
| 199 | 532169612 | SCREW | | 1 | |
| 200 | 872140508 | BOLT | | 1 | |
| 202 | 872110614 | BOLT | | 1 | |
| 254 | 817000616 | SCREW | | 1 | |

| REF. | PART NO. | DESCRIPTION | REMARK | QTY. | KIT |
|------|-----------|-------------|--------|------|-----|
| 263 | 817000612 | SCREW | | 1 | |

REPAIR PARTS

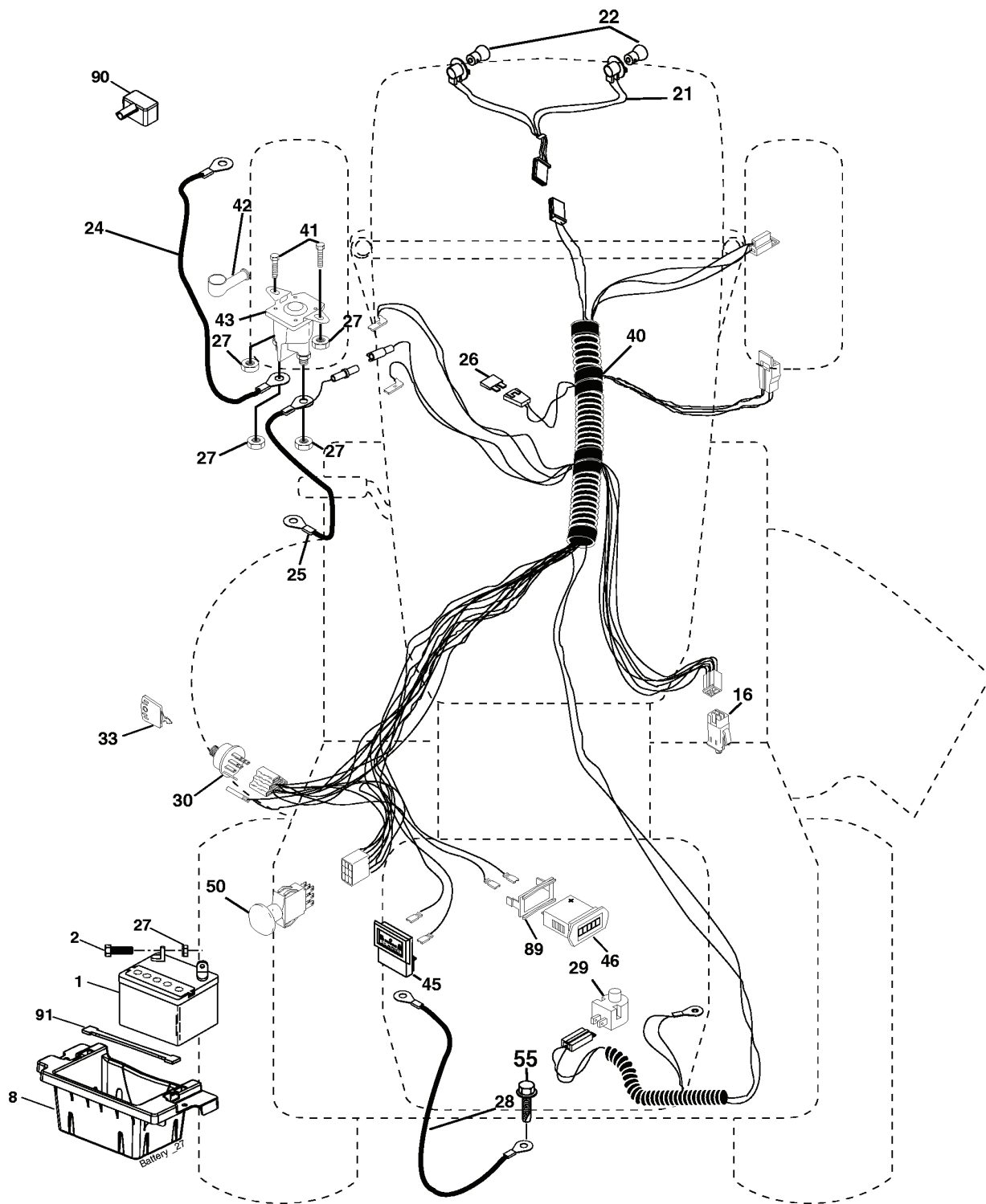
TRACTOR - MODEL NO. YTH2148 (LO21H48E), PRODUCT NO. 954 57 20-35
STEERING ASSEMBLY



| REF. | PART NO. | DESCRIPTION | REMARK | QTY. | KIT |
|------|-----------|----------------|--------|------|-----|
| 1 | 532166627 | STEERING WHEEL | | 1 | |
| 2 | 532184706 | SHAFT | | 1 | |
| 3 | 532169840 | SPINDLE | | 1 | |
| 4 | 532169839 | SPINDLE | | 1 | |
| 5 | 532124931 | WASHER | | 1 | |
| 6 | 532121748 | WASHER | | 1 | |
| 8 | 812000029 | RETAINER RING | | 1 | |
| 10 | 532175121 | ROD | | 1 | |
| 11 | 810040600 | WASHER | | 1 | |
| 12 | 873940800 | NUT | | 1 | |
| 13 | 532136518 | PIPE | | 1 | |
| 15 | 532145212 | NUT | | 1 | |
| 17 | 532177883 | SHAFT | | 1 | |
| 29 | 817000612 | SCREW | | 1 | |
| 32 | 532180580 | TIE ROD | | 1 | |
| 36 | 532155105 | BUSHING | | 1 | |
| 37 | 532152927 | SCREW | | 1 | |
| 38 | 532166626 | INSERT | | 1 | |
| 39 | 819183812 | WASHER | | 1 | |
| 40 | 873540600 | NUT | | 1 | |
| 41 | 532159945 | ADAPTER | | 1 | |
| 43 | 532121749 | WASHER | | 1 | |
| 46 | 532121232 | HUB CAP | | 1 | |
| 65 | 532160367 | SPACER | | 1 | |
| 67 | 872110618 | BOLT | | 1 | |
| 68 | 532169827 | SHAFT | | 1 | |
| 71 | 532175146 | STEERING GEAR | | 1 | |
| 82 | 532169835 | BRACKET | | 1 | |
| 87 | 532173966 | WASHER | | 1 | |
| 88 | 532175118 | BOLT | | 1 | |
| 91 | 532175553 | SPRING | | 1 | |
| 94 | 819121414 | WASHER | | 1 | |
| 95 | 532188967 | WASHER | | 1 | |

REPAIR PARTS

TRACTOR - MODEL NO. YTH2148 (LO21H48E), PRODUCT NO. 954 57 20-35
ELECTRICAL



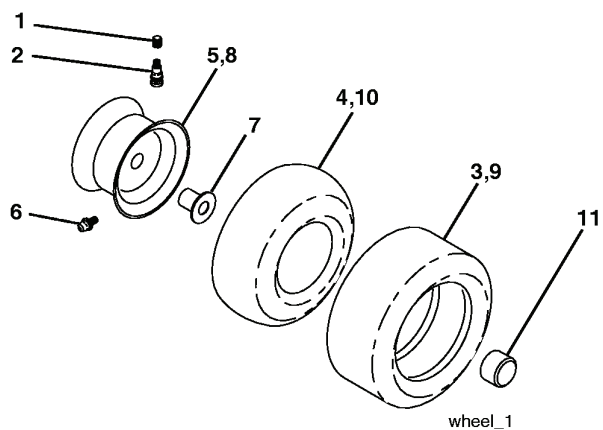
| REF. | PART NO. | DESCRIPTION | REMARK | QTY. | KIT |
|------|-----------|-------------------------|--------|------|-----|
| 1 | 532144927 | BATTERY | | 1 | |
| 2 | 874760412 | BOLT | | 1 | |
| 8 | 532186491 | BOX | | 1 | |
| 16 | 532176138 | MICRO SWITCH | | 1 | |
| 21 | 532183759 | HARNESS | | 1 | |
| 22 | 532004152 | BULB | | 1 | |
| 24 | 532124780 | CABLE | | 1 | |
| 25 | 532146148 | CABLE | | 1 | |
| 26 | 532175158 | FUSE | | 1 | |
| 27 | 873510400 | NUT | | 1 | |
| 28 | 532145491 | CABLE | | 1 | |
| 29 | 532121305 | SWITCH | | 1 | |
| 33 | 532140401 | KEY | | 1 | |
| 40 | 532188024 | HARNESS | | 1 | |
| 41 | 871110408 | BOLT | | 1 | |
| 42 | 532131563 | COVER | | 1 | |
| 43 | 532178861 | SOLENOID | | 1 | |
| 45 | 532122822 | METER | | 1 | |
| 46 | 532169635 | HOURLMETER | | 1 | |
| 50 | 532174651 | SWITCH | | 1 | |
| 55 | 817490508 | SCREW | | 1 | |
| 89 | 532169639 | BRACKET | | 1 | |
| 90 | 532180449 | COVER | | 1 | |
| 91 | 532190270 | STRAP BATTERY MOUNT FRO | | 1 | |

| REF. | PART NO. | DESCRIPTION | REMARK | QTY. | KIT |
|------|-----------|--------------------------|--------|------|-----|
| 1 | 532181848 | DECK WELDMENT MOWER, 48 | | 1 | |
| 3 | 532138017 | BRACKE | | 1 | |
| 5 | 532124670 | RETAINER RING | | 1 | |
| 6 | 532178024 | LEVER | | 1 | |
| 8 | 532174365 | BOLT | | 1 | |
| 11 | 532180054 | BLADE | | 1 | |
| -- | 532173921 | BLADE | | 1 | |
| 13 | 532175147 | SHAFT | | 1 | |
| 14 | 532174358 | MANDREL | | 1 | |
| 15 | 532110485 | BEARING | | 1 | |
| 16 | 532174493 | STRIPPER, MANDREL, BLACK | | 1 | |
| 17 | 872110610 | BOLT | | 1 | |
| 18 | 872140505 | BOLT | | 1 | |
| 19 | 532132827 | SPEC. BOLT | | 1 | |
| 20 | 532174378 | BAFFLE | | 1 | |
| 21 | 873680500 | NUT | | 1 | |
| 24 | 532105304 | HUB CAP | | 1 | |
| 25 | 532178102 | SPRING | | 1 | |
| 26 | 532110452 | NUT | | 1 | |
| 27 | 532181707 | SHIELD | | 1 | |
| 28 | 819111016 | WASHER | | 1 | |
| 29 | 532131491 | SHAFT | | 1 | |
| 30 | 532173984 | SCREW | | 1 | |
| 31 | 532187690 | WASHER | | 1 | |
| 32 | 532177865 | PULLEY | | 1 | |
| 33 | 532178342 | NUT | | 1 | |
| 36 | 819131316 | WASHER | | 1 | |
| 37 | 532177968 | PULLEY | | 1 | |
| 39 | 532174375 | PULLEY | | 1 | |
| 42 | 532165723 | SPACER | | 1 | |
| 43 | 532174373 | LEVER | | 1 | |
| 45 | 532180806 | COVER | | 1 | |
| 46 | 532137729 | SCREW | | 1 | |
| 47 | 532180808 | V-BELT | | 1 | |
| 48 | 532174368 | V-BELT | | 1 | |
| 49 | 873900600 | NUT | | 1 | |
| 50 | 872110612 | BOLT | | 1 | |
| 52 | 532175820 | PULLEY | | 1 | |
| 54 | 874780616 | BOLT | | 1 | |
| 55 | 872140608 | BOLT | | 1 | |
| 56 | 532155986 | BAR | | 1 | |
| 57 | 532156941 | PIN RETAINING SCREW | | 1 | |
| 72 | 819131312 | WASHER | | 1 | |
| 91 | 532180535 | BRACKET | | 1 | |
| 92 | 873800600 | NUT | | 1 | |
| 94 | 532176066 | ROLLER | | 1 | |
| 95 | 532180534 | BRACKET | | 1 | |
| 97 | 532178515 | WASHER | | 1 | |
| 98 | 532179479 | SPRING | | 1 | |
| 99 | 532184058 | PULLEY | | 1 | |
| 100 | 872110616 | BOLT | | 1 | |
| 110 | 532175016 | LEVER | | 1 | |
| 111 | 532174610 | ARM | | 1 | |
| 116 | 532184219 | BOLT | | 1 | |
| 117 | 532133957 | WHEEL | | 1 | |
| 118 | 873930600 | NUT | | 1 | |
| 119 | 819121414 | WASHER | | 1 | |
| 121 | 532174371 | SPRING | | 1 | |
| 126 | 532174372 | LEVER | | 1 | |
| 130 | 817000616 | SCREW | | 1 | |
| 131 | 819131606 | WASHER | | 1 | |
| 132 | 817000612 | SCREW | | 1 | |
| 133 | 872110506 | BOLT | | 1 | |
| 182 | 532179127 | ROD ROLLER NOSE | | 1 | |
| 183 | 532163552 | CLIP | | 1 | |
| 184 | 532173979 | BELT GUIDE | | 1 | |
| -- | 532174357 | PALIER DE LAME COMPLET | | 1 | |

REPAIR PARTS

TRACTOR - MODEL NO. YTH2148 (LO21H48E), PRODUCT NO. 954 57 20-35

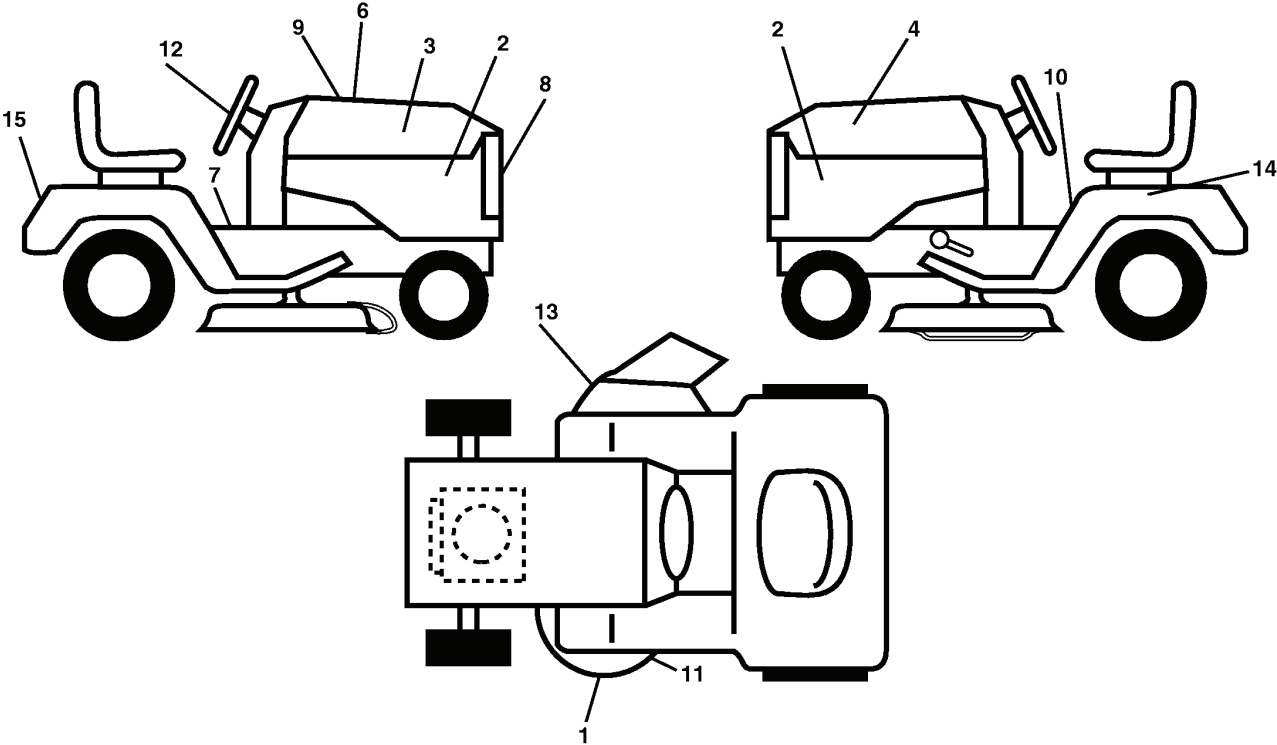
WHEELS & TIRES



| REF. | PART NO. | DESCRIPTION | REMARK | QTY. | KIT |
|------|-----------|--------------|--------|------|-----|
| 1 | 532059192 | CAP VALVE | | 1 | |
| 2 | 532065139 | NIPPLE | | 1 | |
| 3 | 532106222 | TIRE | | 1 | |
| 4 | 532059904 | HOSE | | 1 | |
| 5 | 532138336 | RIM | | 1 | |
| 6 | 532124957 | FITTING | | 1 | |
| 7 | 532124959 | BEARING | | 1 | |
| 8 | 532138337 | RIM SPROCKET | | 1 | |
| 9 | 532122082 | TIRE | | 1 | |
| 10 | 532124926 | HOSE | | 1 | |
| 11 | 532175039 | HUB CAP | | 1 | |
| -- | 532144334 | SEALING FOAM | | 1 | |

REPAIR PARTS

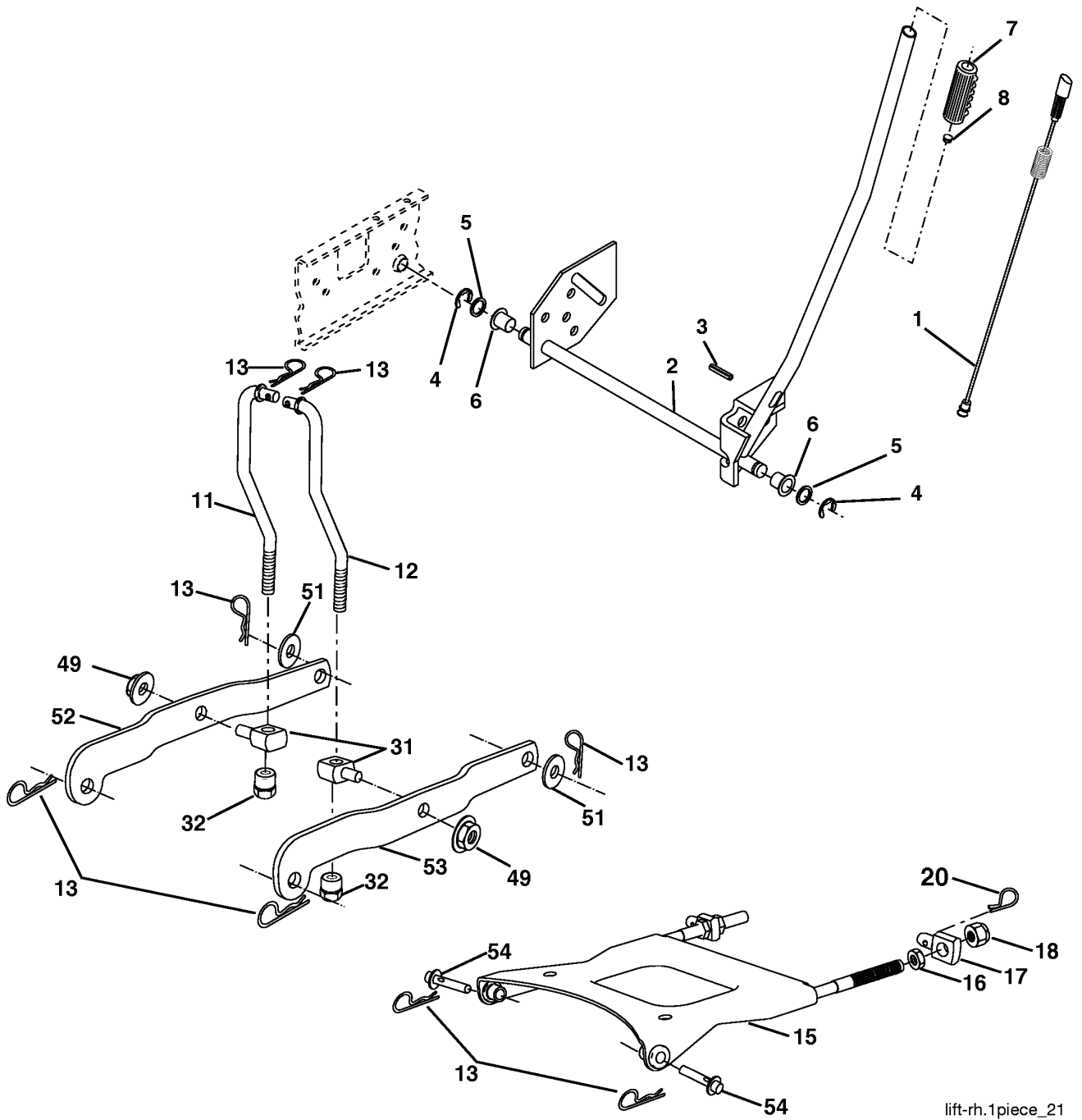
TRACTOR - MODEL NO. YTH2148 (LO21H48E), PRODUCT NO. 954 57 20-35
DECALS



| REF. | PART NO. | DESCRIPTION | REMARK | QTY. | KIT |
|------|-----------|------------------|--------|------|-----|
| 6 | 532180941 | DECAL | | 1 | |
| 7 | 532157032 | DECAL | | 1 | |
| 10 | 532157140 | DECAL | | 1 | |
| 11 | 532175291 | DECAL | | 1 | |
| 12 | 532188925 | DECAL | | 1 | |
| 13 | 532170563 | DECALC."DANGER" | | 1 | |
| 14 | 532145005 | DECAL | | 1 | |
| 15 | 532191554 | DECAL | | 1 | |
| -- | 532166960 | DECAL | | 1 | |
| -- | 532188252 | PAD. FOOTREST LH | | 1 | |
| -- | 532188253 | PAD. FOOTREST RH | | 1 | |
| -- | 532138311 | DECAL | | 1 | |

REPAIR PARTS

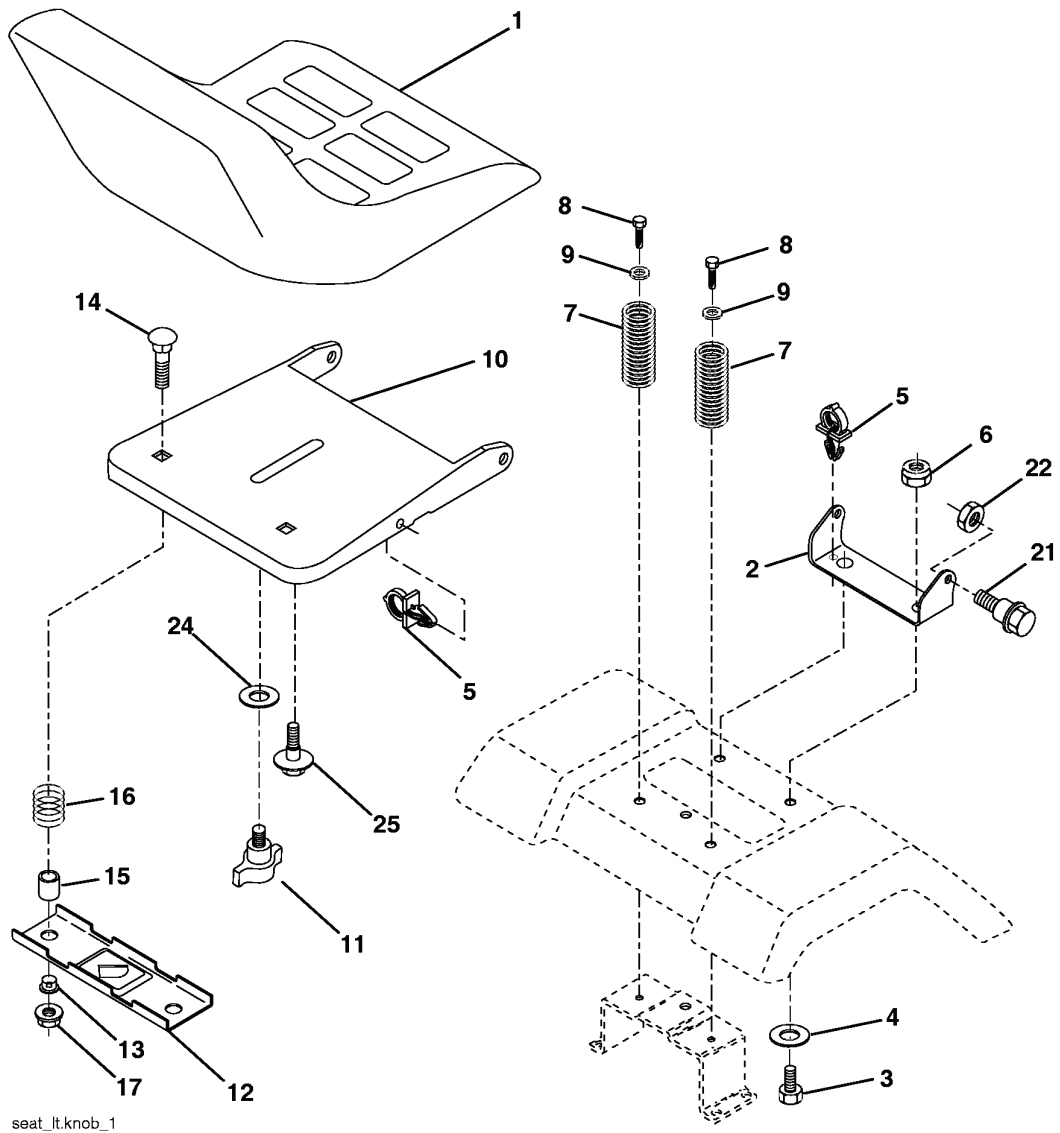
TRACTOR - MODEL NO. YTH2148 (LO21H48E), PRODUCT NO. 954 57 20-35
MOWER LIFT



| REF. | PART NO. | DESCRIPTION | REMARK | QTY. | KIT |
|------|-----------|---------------------|--------|------|-----|
| 1 | 532159460 | WIRE | | 1 | |
| 2 | 532159471 | LEVER | | 1 | |
| 3 | 532105767 | PIN RETAINING SCREW | | 1 | |
| 4 | 812000002 | RETAINER RING | | 1 | |
| 5 | 819211621 | WASHER | | 1 | |
| 6 | 532120183 | BEARING | | 1 | |
| 7 | 532125631 | HANDLE | | 1 | |
| 8 | 532124526 | KNOB | | 1 | |
| 11 | 532175370 | LINK | | 1 | |
| 12 | 532175371 | LINK | | 1 | |
| 13 | 532124670 | RETAINER RING | | 1 | |
| 15 | 532175562 | BRACKET | | 1 | |
| 16 | 873350800 | NUT | | 1 | |
| 17 | 532175689 | BRACKET | | 1 | |
| 18 | 873800800 | NUT | | 1 | |
| 20 | 532163552 | CLIP | | 1 | |
| 31 | 532176205 | TRUNION | | 1 | |
| 32 | 532175994 | NUT | | 1 | |
| 49 | 532145212 | NUT | | 1 | |
| 51 | 819171416 | WASHER | | 1 | |
| 52 | 532175378 | LEVER | | 1 | |
| 53 | 532175802 | LEVER | | 1 | |
| 54 | 532175560 | PIN RETAINING SCREW | | 1 | |

REPAIR PARTS

TRACTOR - MODEL NO. YTH2148 (LO21H48E), PRODUCT NO. 954 57 20-35
SEAT ASSEMBLY

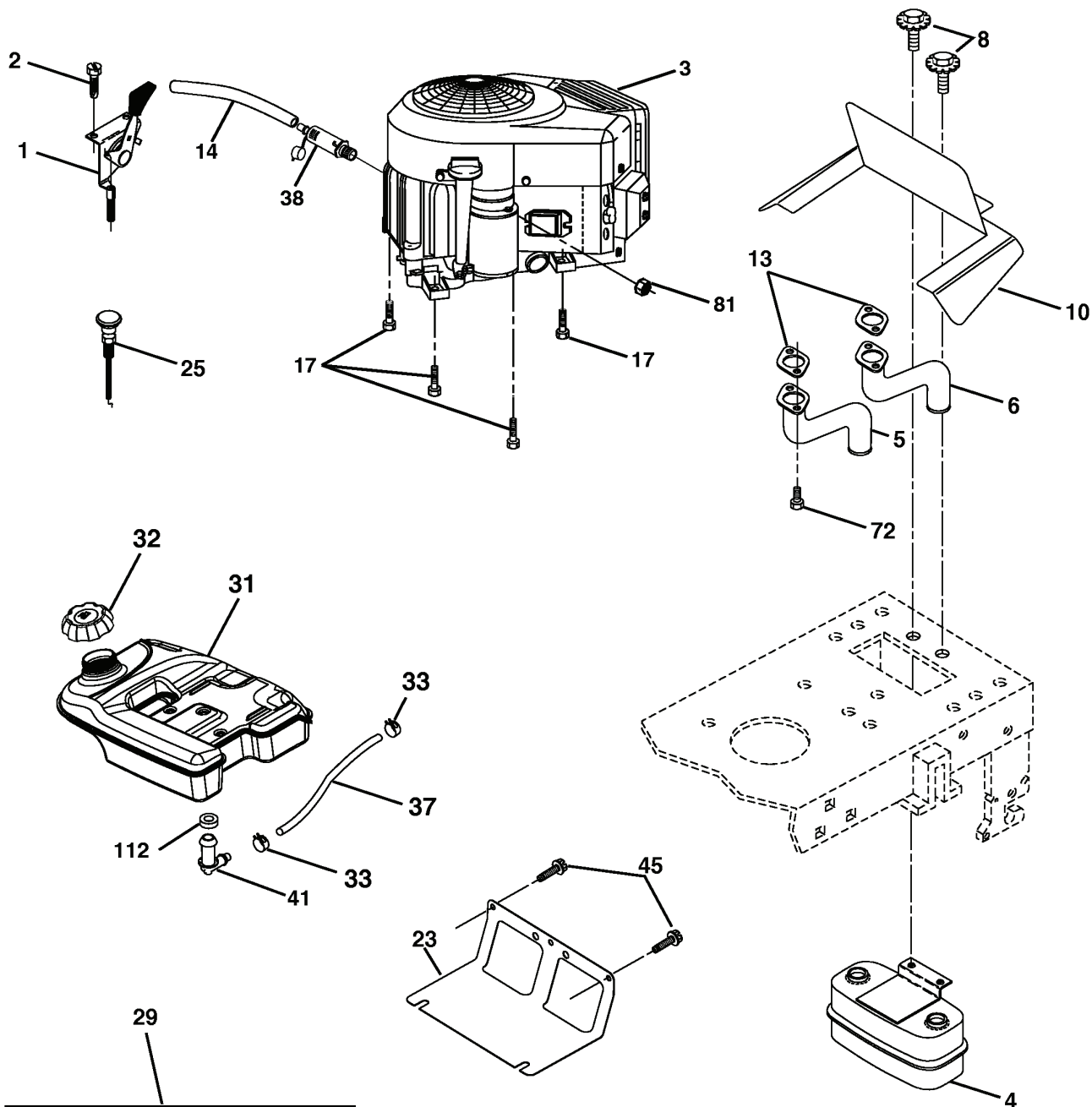


seat_lt.knob_1

| REF. | PART NO. | DESCRIPTION | REMARK | QTY. | KIT |
|------|-----------|------------------|--------|------|-----|
| 1 | 532188715 | SIEGE CONDUCTEUR | | 1 | |
| 2 | 532140551 | BRACKET | | 1 | |
| 3 | 871110616 | SCREW | | 1 | |
| 4 | 819131610 | WASHER | | 1 | |
| 5 | 532145006 | CLIP | | 1 | |
| 6 | 873800600 | NUT | | 1 | |
| 7 | 532124181 | SPRING | | 1 | |
| 8 | 817000616 | SCREW | | 1 | |
| 9 | 819131614 | WASHER | | 1 | |
| 10 | 532182493 | BRACKET | | 1 | |
| 11 | 532166369 | WING NUT | | 1 | |
| 12 | 532121246 | BRACKET | | 1 | |
| 13 | 532121248 | BUSHING | | 1 | |
| 14 | 872050412 | BOLT | | 1 | |
| 15 | 532121749 | WASHER | | 1 | |
| 16 | 532123740 | SPRING | | 1 | |
| 17 | 532123976 | LOCKNUT | | 1 | |
| 21 | 532171852 | BOLT | | 1 | |
| 22 | 873800500 | LOCK NUT | | 1 | |
| 24 | 819171912 | WASHER | | 1 | |
| 25 | 532127018 | BOLT | | 1 | |

REPAIR PARTS

TRACTOR - MODEL NO. YTH2148 (LO21H48E), PRODUCT NO. 954 57 20-35
ENGINE



OPTIONAL EQUIPMENT
Spark Arrester

| REF. | PART NO. | DESCRIPTION | REMARK | QTY. | KIT |
|------|-----------|---------------------|--------|------|-----|
| 1 | 532170771 | THROTTLE TRIGGER | | 1 | |
| 2 | 817720408 | SCREW | | 1 | |
| 4 | 532149723 | MUFFLER | | 1 | |
| 8 | 532171877 | BOLT | | 1 | |
| 10 | 532146629 | HEAT SHIELD | | 1 | |
| 14 | 532148456 | TUBE | | 1 | |
| 17 | 817060624 | SCREW | | 1 | |
| 23 | 532169837 | HEAT SHIELD | | 1 | |
| 29 | 532137180 | SPARK ARRESTER KIT | | 1 | |
| 31 | 532179022 | TANK FUEL 3 50 REAR | | 1 | |
| 32 | 532181803 | TANK CAP | | 1 | |
| 33 | 532123487 | HOSE CLAMP | | 1 | |
| 37 | 532142158 | FULE LINE | | 1 | |
| 38 | 532181654 | PLUG | | 1 | |
| 41 | 532139277 | NIPPLE | | 1 | |
| 45 | 817000612 | SCREW | | 1 | |
| 81 | 873510400 | NUT | | 1 | |
| 112 | 532124952 | BUSHING | | 1 | |