

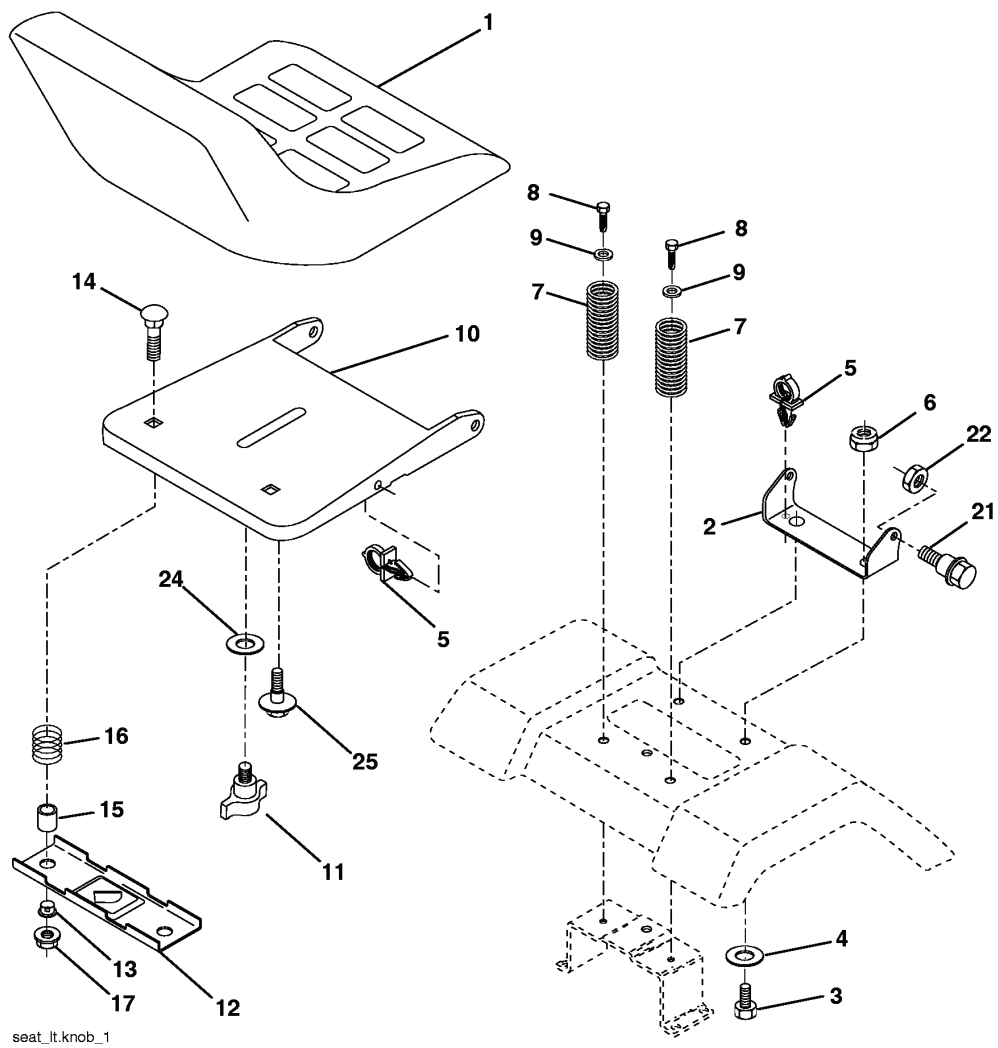
YTH2448, 96015000101, 960150001, 2005-0

---

# **SPARE PARTS LIST**

# REPAIR PARTS

TRACTOR - MODEL NO. YTH2448 (96015000101), PRODUCT NO. 960 15 00-01  
SEAT ASSEMBLY



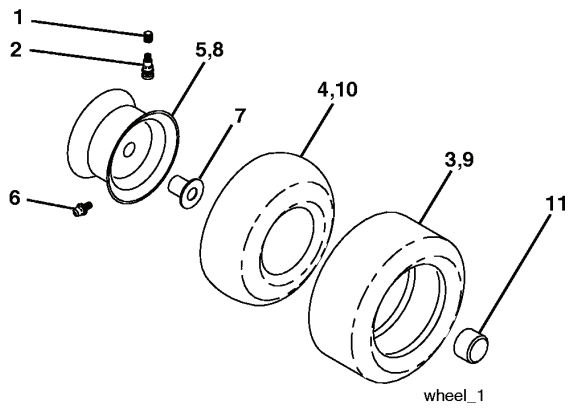
---

REF.	PART NO.	DESCRIPTION	REMARK	QTY.	KIT
1	532188715	SIEGE CONDUCTEUR		1	
2	532140551	BRACKET		1	
3	871110616	SCREW		1	
4	819131610	WASHER		1	
5	532145006	CLIP		1	
6	873800600	NUT		1	
7	532124181	SPRING		1	
8	817000616	SCREW		1	
9	819131614	WASHER		1	
10	532182493	BRACKET		1	
11	532166369	WING NUT		1	
12	532174648	BRACKET		1	
13	532121248	BUSHING		1	
14	872050412	BOLT		1	
15	532121749	WASHER		1	
16	532123740	SPRING		1	
17	532123976	LOCKNUT		1	
21	532171852	BOLT		1	
22	873800500	LOCK NUT		1	
24	819171912	WASHER		1	
25	532127018	BOLT		1	

## REPAIR PARTS

TRACTOR - MODEL NO. YTH2448 (96015000101), PRODUCT NO. 960 15 00-01

### WHEELS & TIRES



---

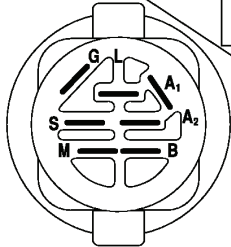
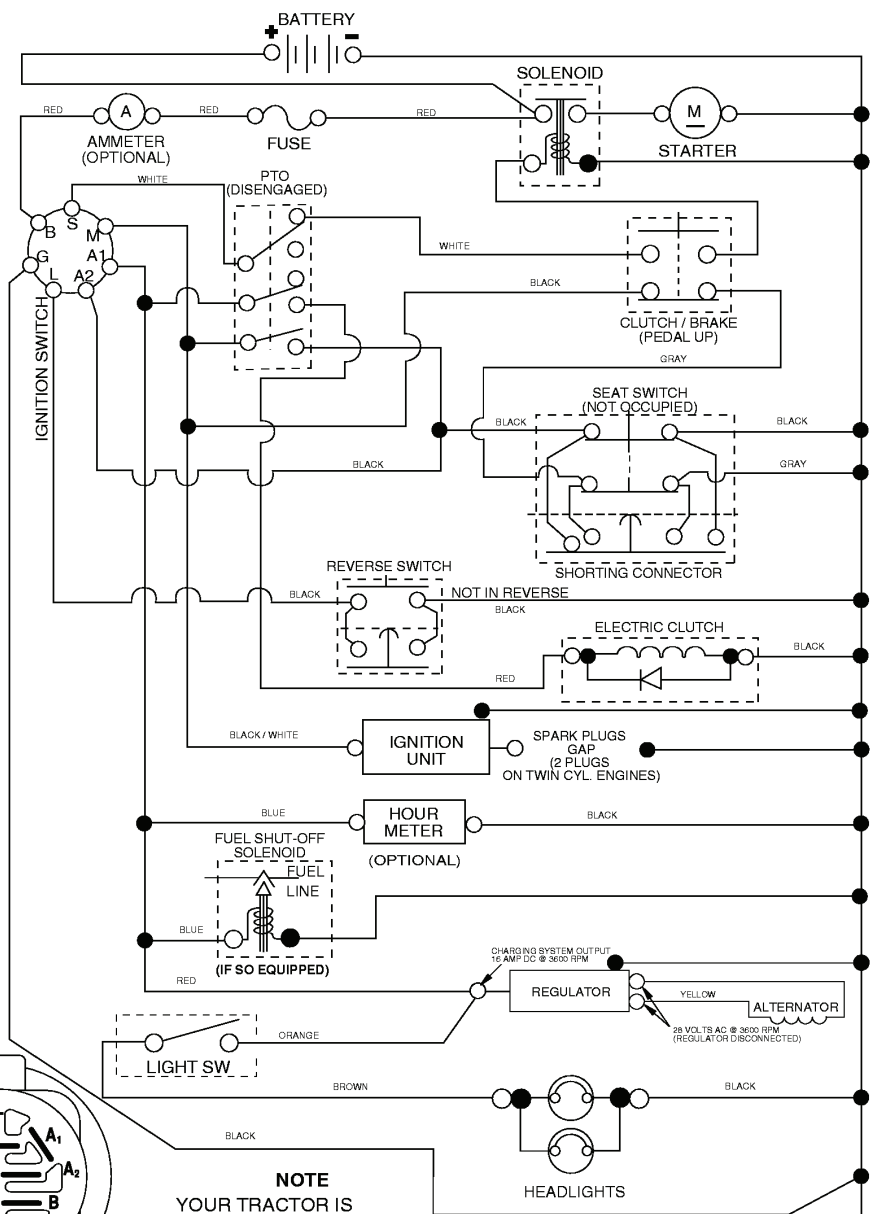
REF.	PART NO.	DESCRIPTION	REMARK	QTY.	KIT
1	532059192	CAP VALVE		1	
2	532065139	NIPPLE		1	
3	532106222	TIRE		1	
4	532059904	HOSE		1	
5	532138336	RIM		1	
6	532124957	FITTING		1	
7	532124959	BEARING		1	
8	532138337	RIM SPROCKET		1	
9	532138468	TIRE		1	
10	532124926	HOSE		1	
11	532175039	HUB CAP		1	
	532144334	SEALING FOAM		1	



REF.	PART NO.	DESCRIPTION	REMARK	QTY.	KIT
1	532180358	HOUSING		1	
3	532138017	BRACKE		1	
5	532124670	RETAINER RING		1	
6	532178024	LEVER		1	
8	532174365	BOLT		1	
11	532180054	BLADE		1	
13	532174360	SHAFT		1	
14	532174358	MANDREL		1	
15	532110485	BEARING		1	
16	532174493	STRIPPER, MANDREL.BLACK		1	
17	872110610	BOLT		1	
18	872140505	BOLT		1	
19	532132827	SPEC. BOLT		1	
20	532174378	BAFFLE		1	
21	873680500	NUT		1	
24	532105304	HUB CAP		1	
25	532178102	SPRING		1	
26	532110452	NUT		1	
27	532181707	SHIELD		1	
28	819111016	WASHER		1	
29	532131491	SHAFT		1	
30	532173984	SCREW		1	
31	532187690	WASHER		1	
32	532173436	PULLEY		1	
33	532178342	NUT		1	
37	532177968	PULLEY		1	
39	532174375	PULLEY		1	
42	532122052	SPACER		1	
43	532174373	LEVER		1	
45	532180806	COVER		1	
46	532137729	SCREW		1	
47	532180808	V-BELT		1	
48	532174368	V-BELT		1	
49	873900600	NUT		1	
50	872110612	BOLT		1	
52	532175820	PULLEY		1	
54	874780616	BOLT		1	
55	872140608	BOLT		1	
56	532155986	BAR		1	
57	532156941	PIN RETAINING SCREW		1	
72	819131312	WASHER		1	
91	532180535	BRACKET		1	
92	873800600	NUT		1	
94	532176066	ROLLER		1	
95	532180534	BRACKET		1	
97	532178515	WASHER		1	
98	532179479	SPRING		1	
99	532189993	PULLEY		1	
100	872110616	BOLT		1	
110	532175016	LEVER		1	
111	532174610	ARM		1	
116	532184219	BOLT		1	
117	532174873	WHEEL		1	
118	873930600	NUT		1	
119	819121414	WASHER		1	
121	532174371	SPRING		1	
126	532174372	LEVER		1	
130	817000616	SCREW		1	
131	819131606	WASHER		1	
132	817000612	SCREW		1	
133	872110506	BOLT		1	
182	532179127	ROD ROLLER NOSE		1	
183	532163552	CLIP		1	
184	532173979	BELT GUIDE		1	
	532174357	PALIER DE LAME COMPLET		1	
	532189906	DECK SHELL ASSY		1	



# TRACTOR - MODEL NO. YTH2448 (96015000101), PRODUCT NO. 960 15 00-01 SCHEMATIC



**IGNITION SWITCH**

POSITION	CIRCUIT "MAKE"
OFF	M+G+A1
RUN/OVERRIDE	B+A1
RUN	B+A1 L+A2
START	B + S + A1

**NOTE**  
YOUR TRACTOR IS EQUIPPED WITH A SPECIAL ALTERNATOR SYSTEM. THE LIGHTS ARE NOT CONNECTED TO THE BATTERY, BUT HAVE THEIR OWN ELECTRICAL SOURCE. BECAUSE OF THIS, THE BRIGHTNESS OF THE LIGHTS WILL CHANGE WITH ENGINE SPEED. AT IDLE THE LIGHTS WILL DIM. AS THE ENGINE IS SPEEDED UP, THE LIGHTS WILL BECOME THEIR BRIGHTEST.



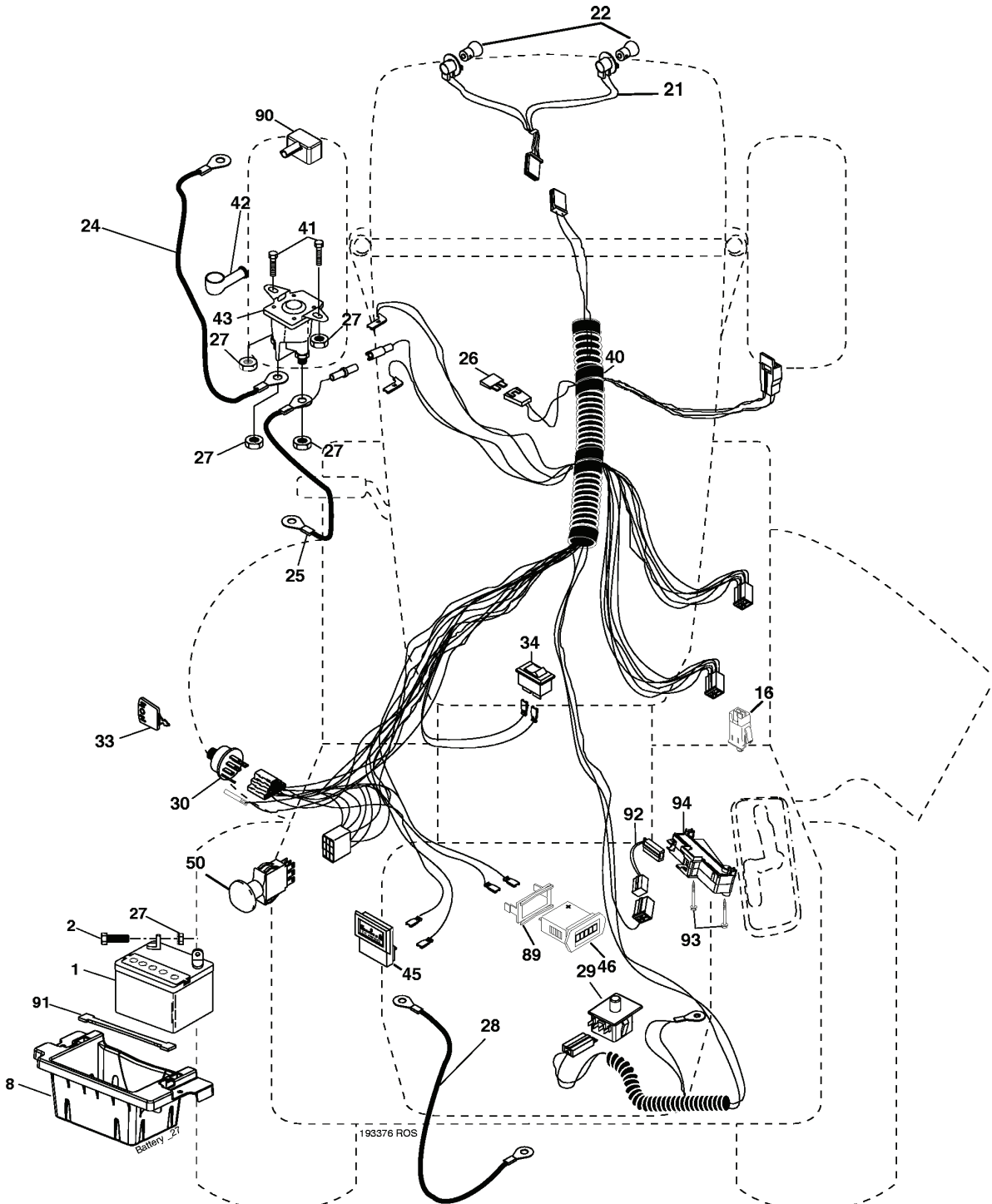
**WIRING INSULATED CLIPS**  
**NOTE:** IF WIRING INSULATED CLIPS WERE REMOVED FOR SERVICING OF UNIT, THEY SHOULD BE REPLACED TO PROPERLY SECURE YOUR WIRING.

02833



# REPAIR PARTS

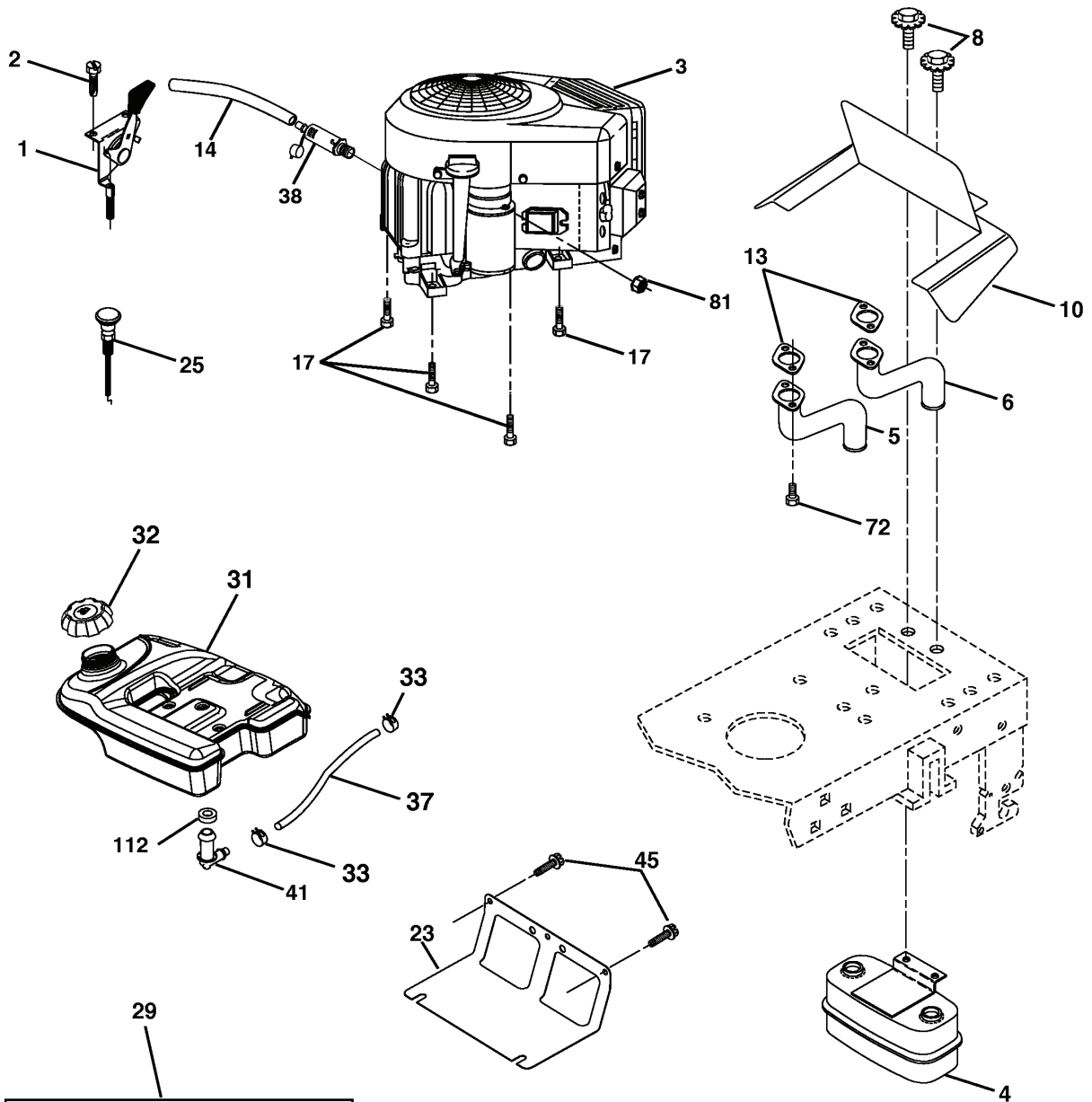
TRACTOR - MODEL NO. YTH2448 (96015000101), PRODUCT NO. 960 15 00-01  
ELECTRICAL



REF.	PART NO.	DESCRIPTION	REMARK	QTY.	KIT
1	532144927	BATTERY		1	
2	874760412	BOLT		1	
8	532186491	BOX		1	
16	532176138	MICRO SWITCH		1	
21	532183759	HARNESS		1	
22	532004152	BULB		1	
24	532124780	CABLE		1	
25	532146148	CABLE		1	
26	532175158	FUSE		1	
27	873510400	NUT		1	
28	532145491	CABLE		1	
29	532192749	SWITCH SEAT DP W/RAMPS		1	
30	532193350	IGNITION MODULE		1	
33	532140401	KEY		1	
34	532110712	SWITCH		1	
40	532193376	HARNESS		1	
41	817720408	SCREW		1	
42	532131563	COVER		1	
43	532178861	SOLENOID		1	
45	532122822	METER		1	
46	532169635	HOURLMETER		1	
50	532196112	SWITCH		1	
89	532169639	BRACKET		1	
90	532180449	COVER		1	
91	532190270	STRAP BATTERY MOUNT FRO		1	
92	532193465	HARNESS		1	
93	532192540	SCREW		1	
94	532191854	OPERATOR S MANUAL		1	

# REPAIR PARTS

TRACTOR - MODEL NO. YTH2448 (96015000101), PRODUCT NO. 960 15 00-01  
ENGINE



**OPTIONAL EQUIPMENT**  
**Spark Arrester**

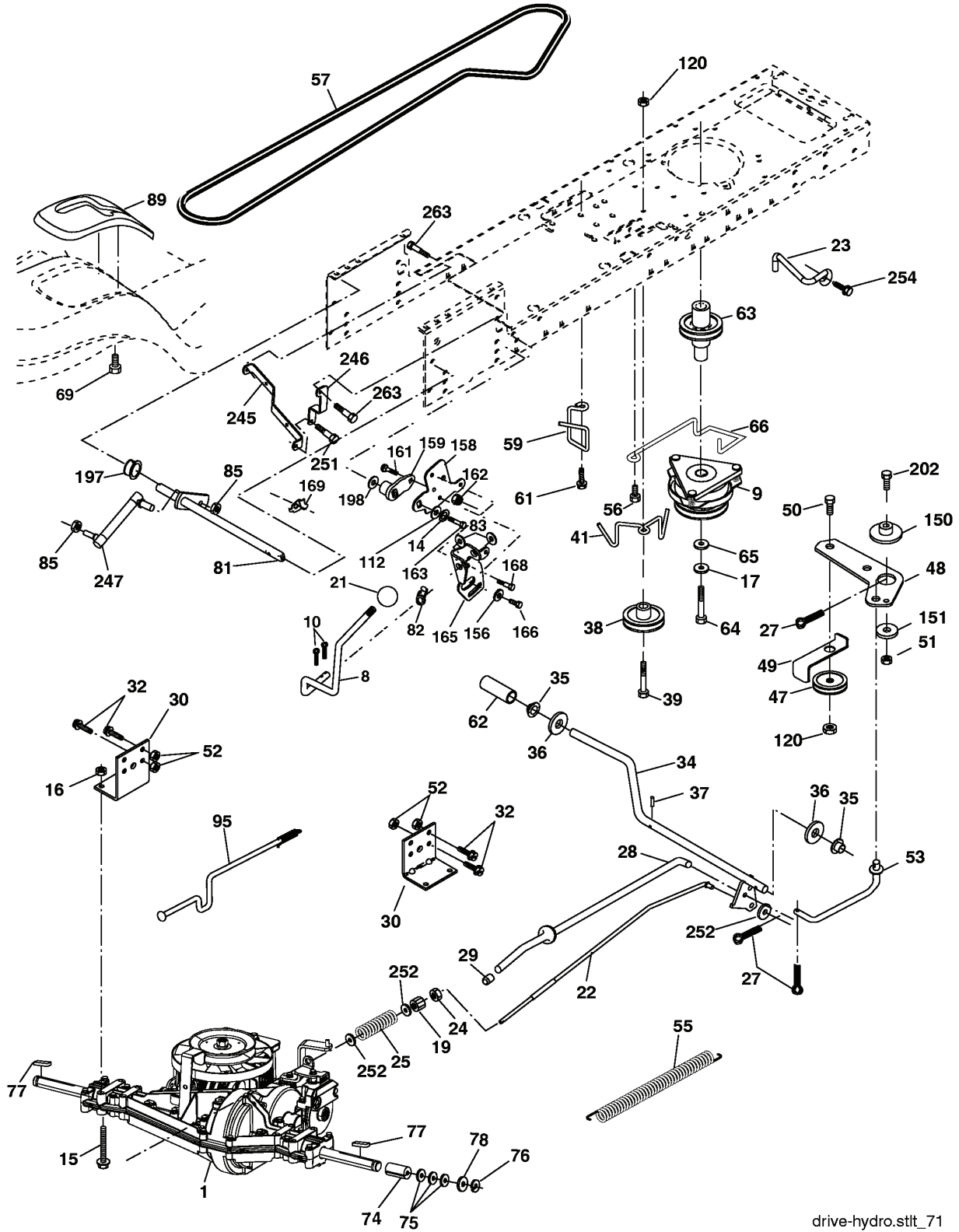
engine-bs.twin\_43

---

REF.	PART NO.	DESCRIPTION	REMARK	QTY.	KIT
1	532190454	THROTTLE CONTROL		1	
2	817720408	SCREW		1	
4	532149723	MUFFLER		1	
5	532159955	TUBE		1	
6	532160589	TUBE		1	
8	532171877	BOLT		1	
10	532162797	SHIELD		1	
13	532165391	GASKET		1	
14	532148456	TUBE		1	
17	817060624	SCREW		1	
23	532169837	HEAT SHIELD		1	
25	532132782	CHOKER CONTROL		1	
29	532137180	SPARK ARRESTER KIT		1	
31	532179022	TANK FUEL 3 50 REAR		1	
32	532181803	TANK CAP		1	
33	532123487	HOSE CLAMP		1	
37	532142158	FULE LINE		1	
38	532181654	PLUG		1	
41	532139277	NIPPLE		1	
45	817000612	SCREW		1	
72	532183906	SCREW		1	
81	873510400	NUT		1	
112	532124952	BUSHING		1	

# REPAIR PARTS

TRACTOR - MODEL NO. YTH2448 (96015000101), PRODUCT NO. 960 15 00-01  
DRIVE

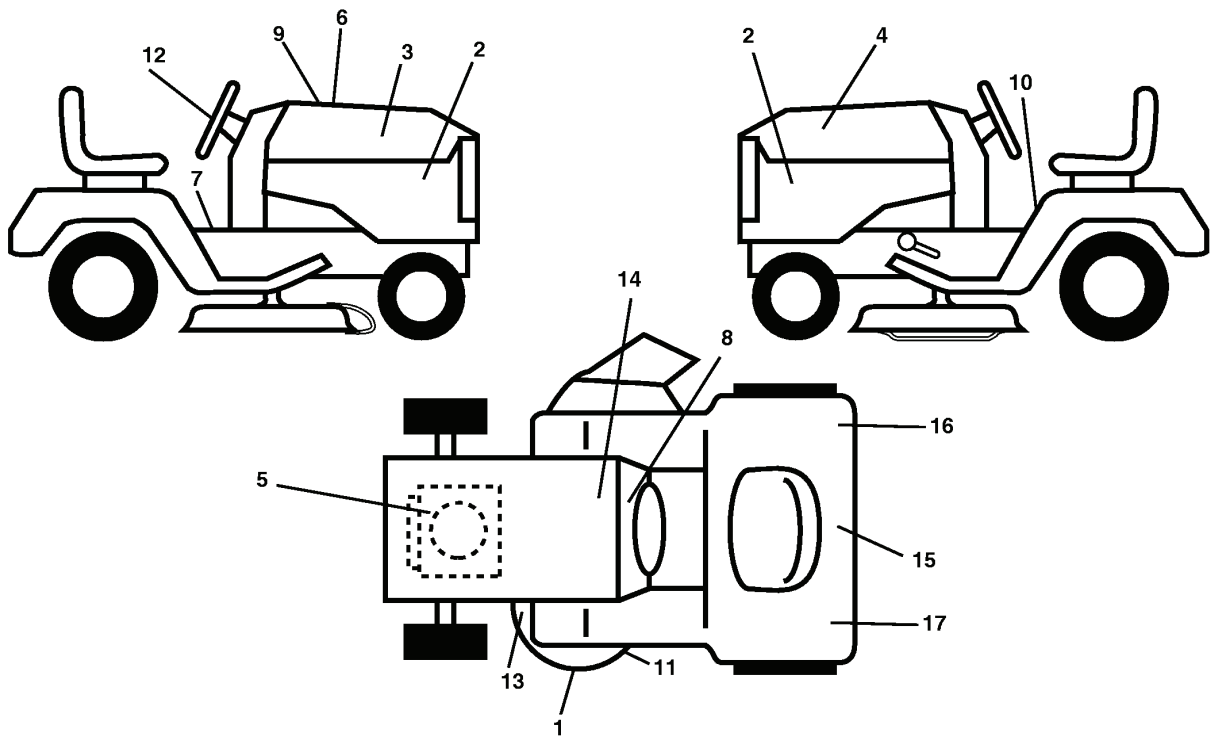


REF.	PART NO.	DESCRIPTION	REMARK	QTY.	KIT
8	532192502	ROD SHIFT		1	
9	532179334	CLUTCH ELEC.		1	
10	876020416	SPLIT PIN		1	
14	810040400	WASHER		1	
15	874490544	SCREW		1	
16	873800500	LOCK NUT		1	
17	532126197	WASHER		1	
19	873800600	NUT		1	
21	532140845	KNOB		1	
22	532178141	ROD, BRAKE		1	
23	532190736	BRACKET		1	
24	873350600	NUT		1	
25	532106888	SPRING		1	
27	876020412	SPLIT PIN		1	
28	532175765	SHAFT		1	
29	532071673	COVER		1	
30	532169592	BRACKET		1	
32	874760512	BOLT		1	
34	532175578	SHAFT		1	
35	532120183	BEARING		1	
36	819211616	WASHER		1	
37	532124963	PIN RETAINING SCREW		1	
38	532179114	PULLEY		1	
39	872110622	BOLT		1	
41	532175556	BELT GUIDE		1	
47	532127783	PULLEY		1	
48	532154407	GUIDE		1	
49	532123205	BELT GUIDE		1	
50	872110612	BOLT		1	
51	873680600	NUT		1	
52	873680500	NUT		1	
53	532105710	LINK		1	
55	532105709	SPRING		1	
56	817060620	SCREW		1	
57	532178138	BELT		1	
59	532169691	BELT GUIDE		1	
61	817120614	SCREW		1	
62	532124872	PEDAL RUBBER		1	
63	532174607	PULLEY		1	
64	532173937	BOLT		1	
65	810040700	WASHER		1	
66	532154778	TENSIONER		1	
69	532142432	SCREW		1	
74	532137057	SPACER		1	
75	532121749	WASHER		1	
76	812000001	RETAINER RING		1	
77	532123583	KEY		1	
78	532121748	WASHER		1	
81	532178139	SHAFT ASM		1	
82	532165711	SPRING		1	
83	819171216	WASHER		1	
85	532150360	NUT		1	
89	532194810	CONSOLE, SHIFT, STL, AUTO GREY		1	
95	532178134	DISCONNECT		1	
112	819091210	WASHER		1	
120	873900600	NUT		1	
150	532175456	SPACER		1	
151	819133210	WASHER		1	
156	532166002	WASHER		1	
158	532165589	BRACKET		1	
159	532183900	LEVER		1	
161	872140406	BOLT		1	
162	873680400	NUT		1	
163	874780416	BOLT		1	
165	532165623	BRACKET		1	
166	817490510	SCREW		1	
168	532165492	BOLT		1	
169	532165580	RETAINER		1	
197	532169613	SLEEVE		1	
198	532169593	WASHER		1	
202	872110614	BOLT		1	
245	532178122	STRAP		1	
246	532178121	STRAP		1	
247	532181462	LINK		1	
251	817060516	SCREW		1	
252	819131616	WASHER		1	
254	817000616	SCREW		1	
263	817000612	SCREW		1	



# REPAIR PARTS

TRACTOR - MODEL NO. YTH2448 (96015000101), PRODUCT NO. 960 15 00-01  
DECALS

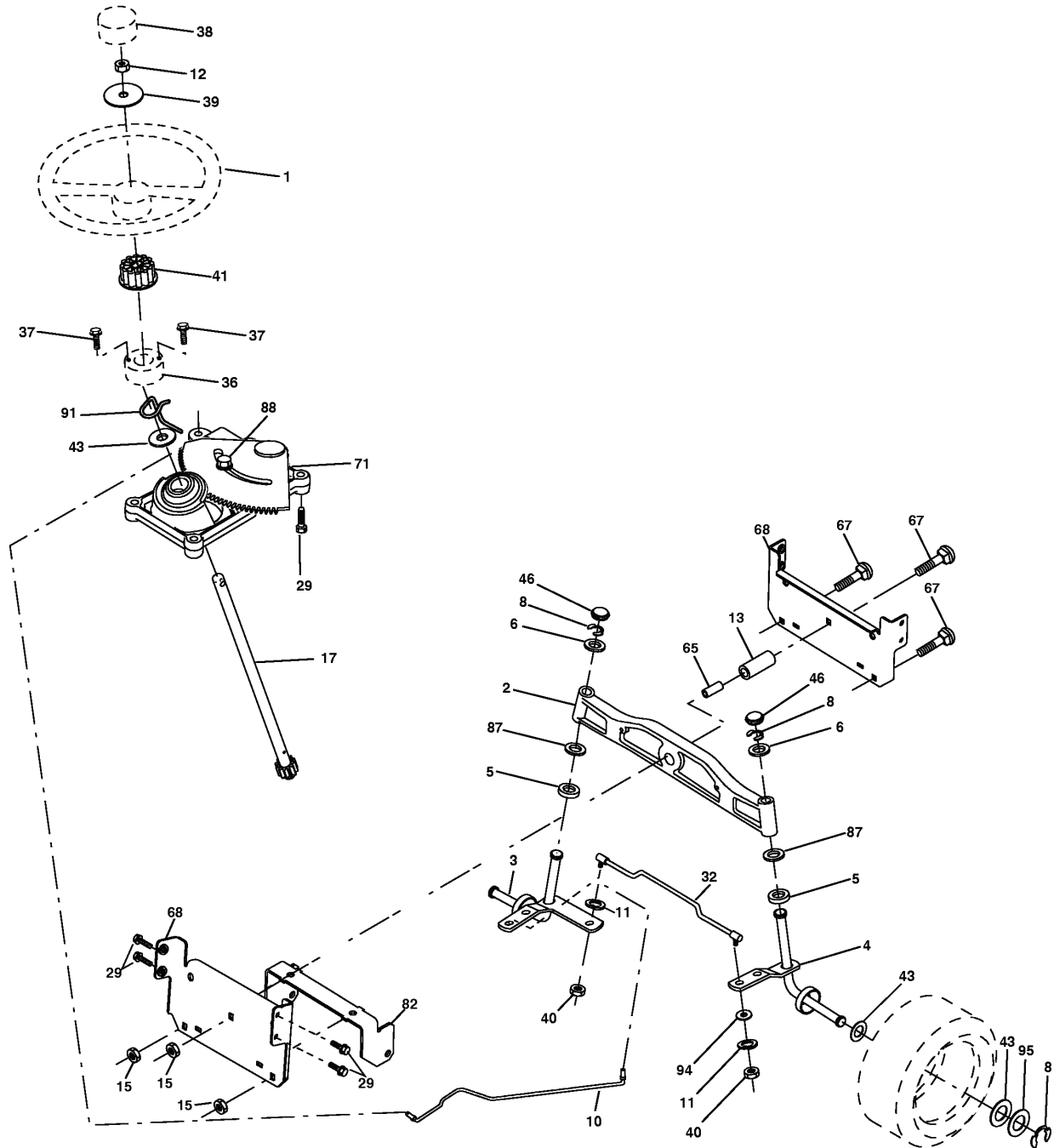


---

REF.	PART NO.	DESCRIPTION	REMARK	QTY.	KIT
1	532178482	DECAL		1	
2	532195487	DECAL		1	
3	532188918	DECAL		1	
4	532188919	DECAL		1	
5	532195549	DECAL		1	
6	532180941	DECAL		1	
7	532196042	DECAL		1	
8	532189243	DECAL		1	
9	532196352	DECAL		1	
10	532157002	DECAL		1	
11	532175291	DECAL		1	
12	532188925	DECAL		1	
13	532178455	DECAL		1	
14	532145005	DECAL		1	
15	532191554	DECAL		1	
16	532173587	DECAL		1	
17	532173589	DECAL		1	
	532178392	DECAL		1	
	532188252	PAD. FOOTREST LH		1	
	532188253	PAD. FOOTREST RH		1	
	532138311	DECAL		1	

# REPAIR PARTS

TRACTOR - MODEL NO. YTH2448 (96015000101), PRODUCT NO. 960 15 00-01  
STEERING ASSEMBLY

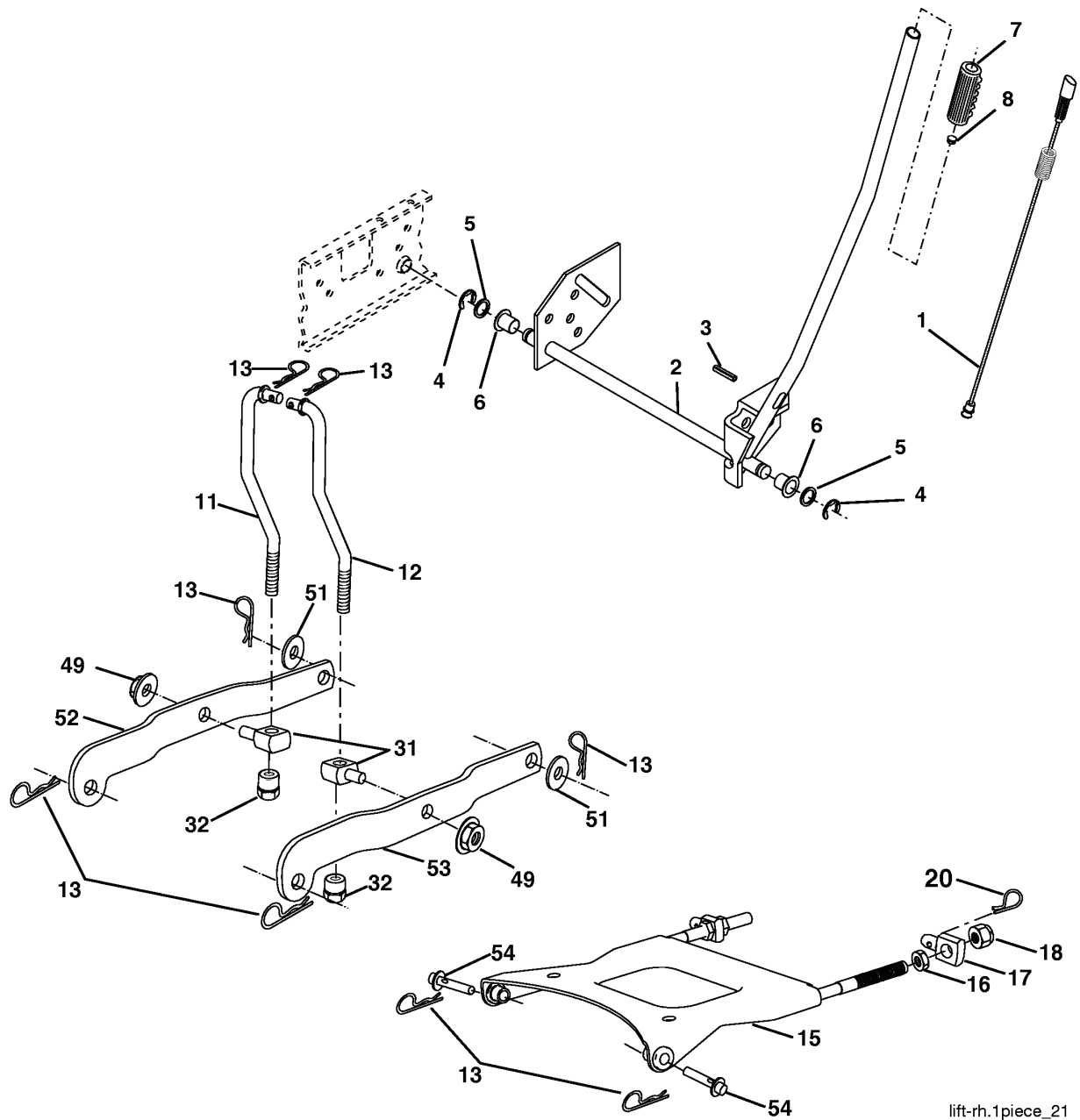


steering\_pl.lt\_54

REF.	PART NO.	DESCRIPTION	REMARK	QTY.	KIT
1	532193651	STEERING WHEEL		1	
2	532184706	SHAFT		1	
3	532169840	SPINDLE		1	
4	532169839	SPINDLE		1	
5	532124931	WASHER		1	
6	532121748	WASHER		1	
8	812000029	RETAINER RING		1	
10	532175121	ROD		1	
11	810040600	WASHER		1	
12	873940800	NUT		1	
13	532136518	PIPE		1	
15	532145212	NUT		1	
17	532177883	SHAFT		1	
29	817000612	SCREW		1	
32	532180580	TIE ROD		1	
36	532155105	BUSHING		1	
37	532152927	SCREW		1	
38	532193652	HUB		1	
39	819183812	WASHER		1	
40	873540600	NUT		1	
41	532186737	ADAPTER		1	
43	532121749	WASHER		1	
46	532121232	HUB CAP		1	
65	532160367	SPACER		1	
67	872110618	BOLT		1	
68	532169827	SHAFT		1	
71	532175146	STEERING GEAR		1	
82	532169835	BRACKET		1	
87	532173966	WASHER		1	
88	532175118	BOLT		1	
91	532175553	SPRING		1	
94	819121414	WASHER		1	
95	532188967	WASHER		1	

# REPAIR PARTS

TRACTOR - MODEL NO. YTH2448 (96015000101), PRODUCT NO. 960 15 00-01  
MOWER LIFT



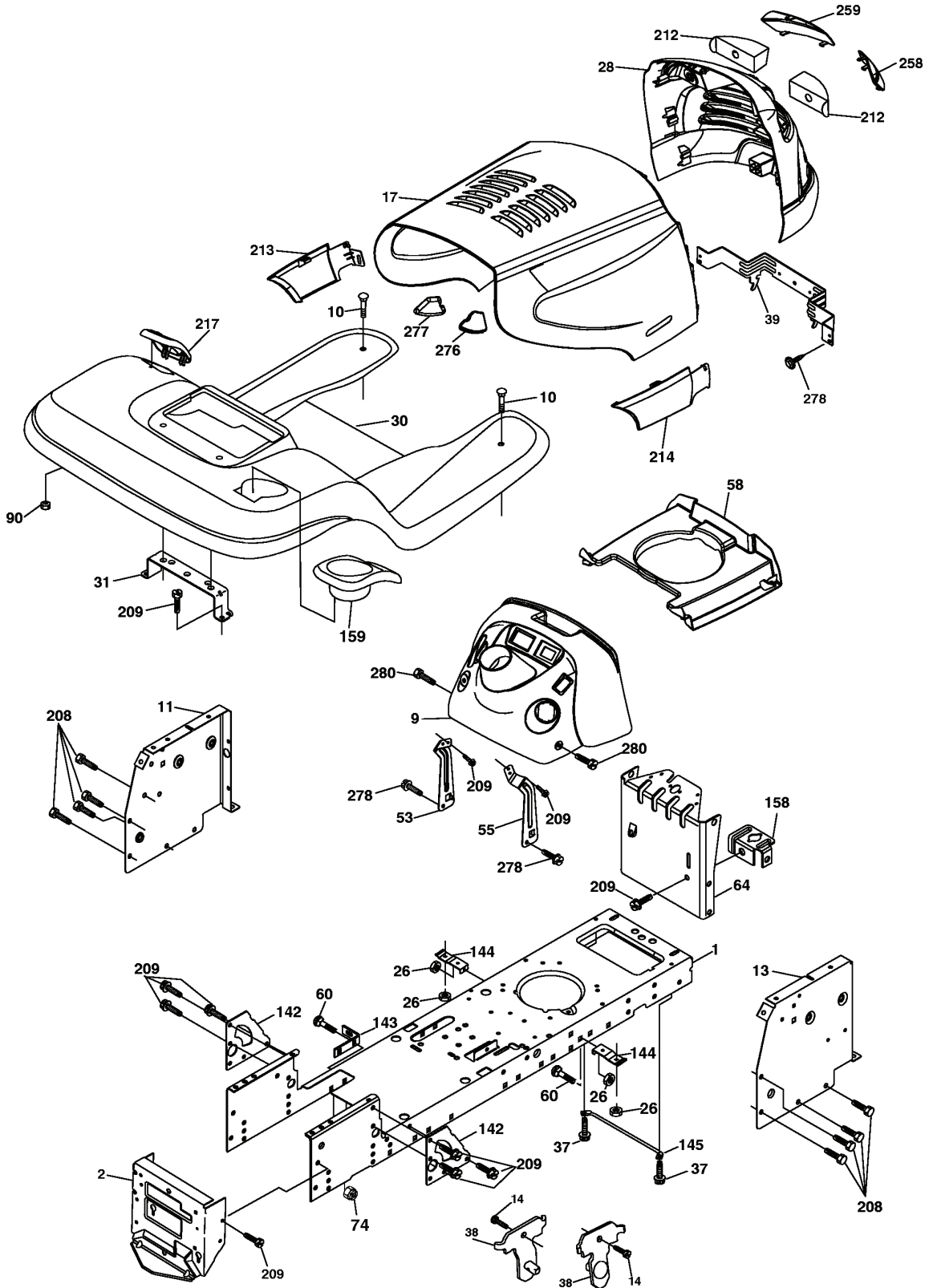
lift-rh.1piece\_21

---

REF.	PART NO.	DESCRIPTION	REMARK	QTY.	KIT
1	532159460	WIRE		1	
2	532159471	LEVER		1	
3	532105767	PIN RETAINING SCREW		1	
4	812000002	RETAINER RING		1	
5	819211621	WASHER		1	
6	532120183	BEARING		1	
7	532125631	HANDLE		1	
8	532124526	KNOB		1	
11	532175370	LINK		1	
12	532175371	LINK		1	
13	532124670	RETAINER RING		1	
15	532175562	BRACKET		1	
16	873350800	NUT		1	
17	532175689	BRACKET		1	
18	873800800	NUT		1	
20	532163552	CLIP		1	
31	532176205	TRUNION		1	
32	532175994	NUT		1	
49	532145212	NUT		1	
51	819171416	WASHER		1	
52	532175378	LEVER		1	
53	532175802	LEVER		1	
54	532175560	PIN RETAINING SCREW		1	

# REPAIR PARTS

TRACTOR - MODEL NO. YTH2448 (96015000101), PRODUCT NO. 960 15 00-01  
CHASSIS AND ENCLOSURES



REF.	PART NO.	DESCRIPTION	REMARK	QTY.	KIT
1	532174619	FRAME		1	
2	532176554	PLATE		1	
9	532196138	DASH		1	
10	872140608	BOLT		1	
11	532174996	DASHBOARD		1	
13	532181719	DASHBOARD		1	
14	817490608	SCREW		1	
17	532189977	HOOD		1	
26	873800600	NUT		1	
28	532188269	GRILL LENS ASSY		1	
30	532194806	FENDER		1	
31	532139976	BRACKET		1	
37	817490508	SCREW		1	
38	532175710	BRACKET		1	
39	532174714	BRACKET PIVOT LASER LT		1	
53	532188373	BRACKET DASH LH		1	
55	532188372	BRACKET DASH RH		1	
58	532189352	AIR DUCT		1	
60	872140606	BOLT		1	
64	532174997	DASH		1	
74	873680600	NUT		1	
90	532124346	NUT		1	
142	532175702	PLATE		1	
143	532186689	BRACKET		1	
144	532175582	BRACKET		1	
145	532156524	SHAFT		1	
158	532162037	BRACKET		1	
159	532192404	CUPHOLDER		1	
208	817670608	SCREW		1	
209	817000612	SCREW		1	
212	532188267	INSERT LENS		1	
213	532189979	SKIRT SIDE LH		1	
214	532189978	SKIRT SIDE RH		1	
217	532185436	BRACKET		1	
258	532189981	LENS ELITE CLEAR RH		1	
259	532189982	LENS ELITE CLEAR LH		1	
276	532189274	BUMPER HOOD RH		1	
277	532189275	BUMPER HOOD LH		1	
278	532191611	SCREW		1	
280	817060616	SCREW		1	
	PART NO		REMARK		KIT