

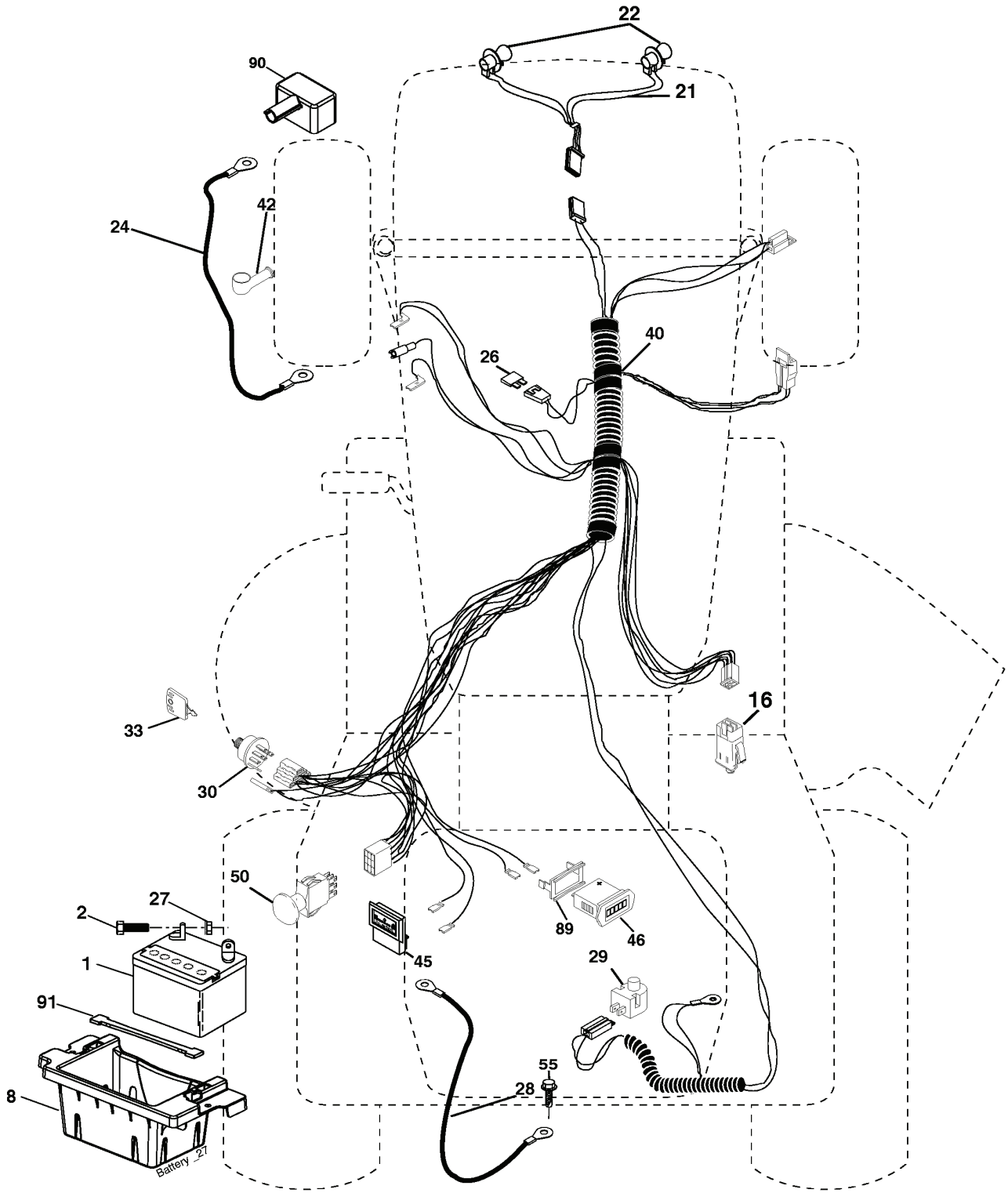
YTH2548B, 954571984, 2004-06

---

# **SPARE PARTS LIST**

# REPAIR PARTS

TRACTOR - MODEL NO. YTH2548 (YTH2548B), PRODUCT NO. 954 57 19-84  
ELECTRICAL

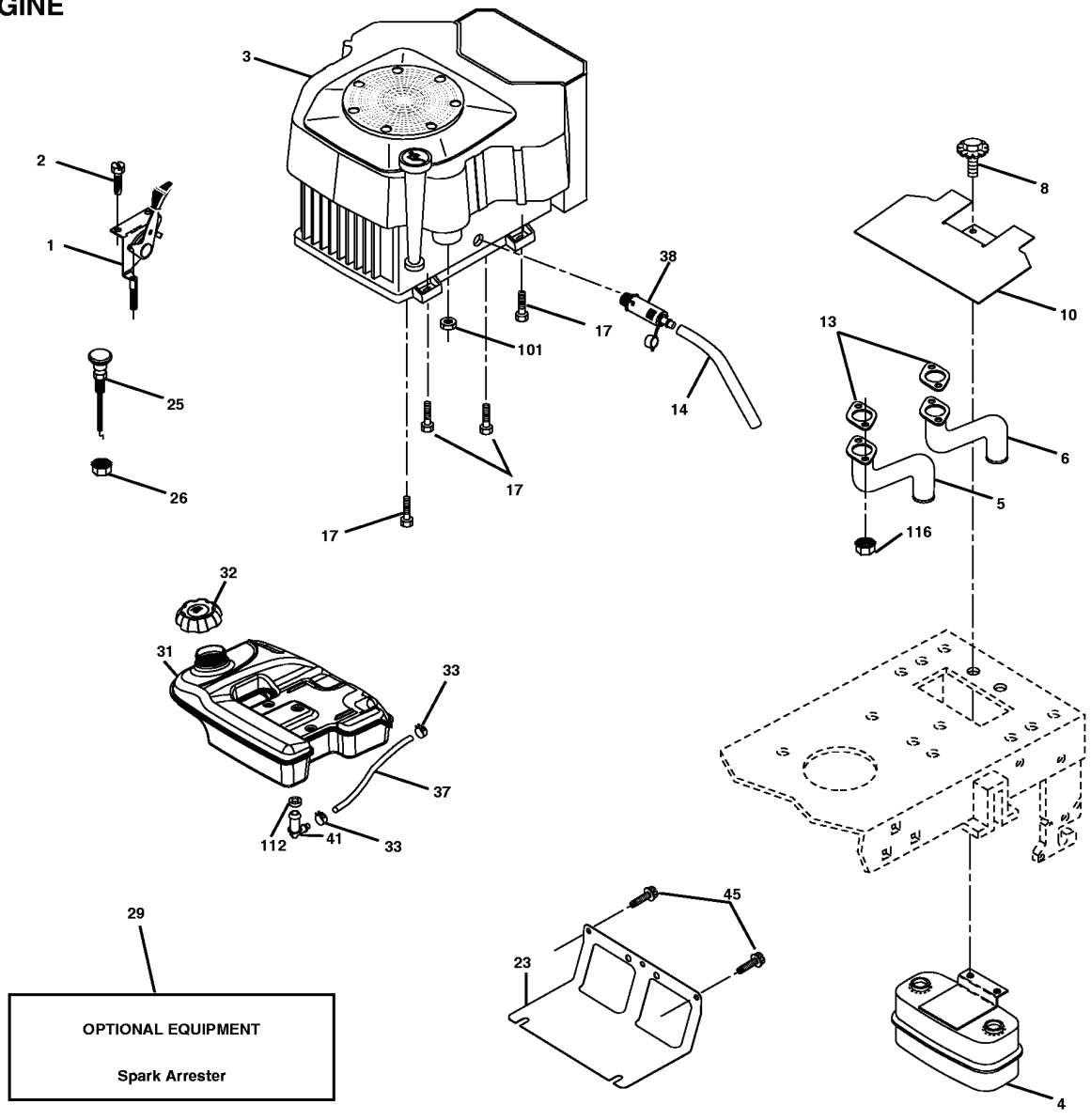


---

REF.	PART NO.	DESCRIPTION	REMARK	QTY.	KIT
1	532144927	BATTERY		1	
2	874760412	BOLT		1	
8	532186491	BOX		1	
16	532176138	MICRO SWITCH		1	
21	532183759	HARNESS		1	
22	532004152	BULB		1	
26	532175158	FUSE		1	
27	873510400	NUT		1	
28	532145491	CABLE		1	
29	532121305	SWITCH		1	
30	532175566	SWITCH		1	
33	532140401	KEY		1	
42	532154336	COVER		1	
45	532122822	METER		1	
46	532169635	HOURLMETER		1	
50	532174651	SWITCH		1	
55	817490508	SCREW		1	
89	532169639	BRACKET		1	
90	532180449	COVER		1	
91	532190270	STRAP BATTERY MOUNT FRO		1	

# REPAIR PARTS

TRACTOR - MODEL NO. YTH2548 (YTH2548B), PRODUCT NO. 954 57 19-84  
ENGINE

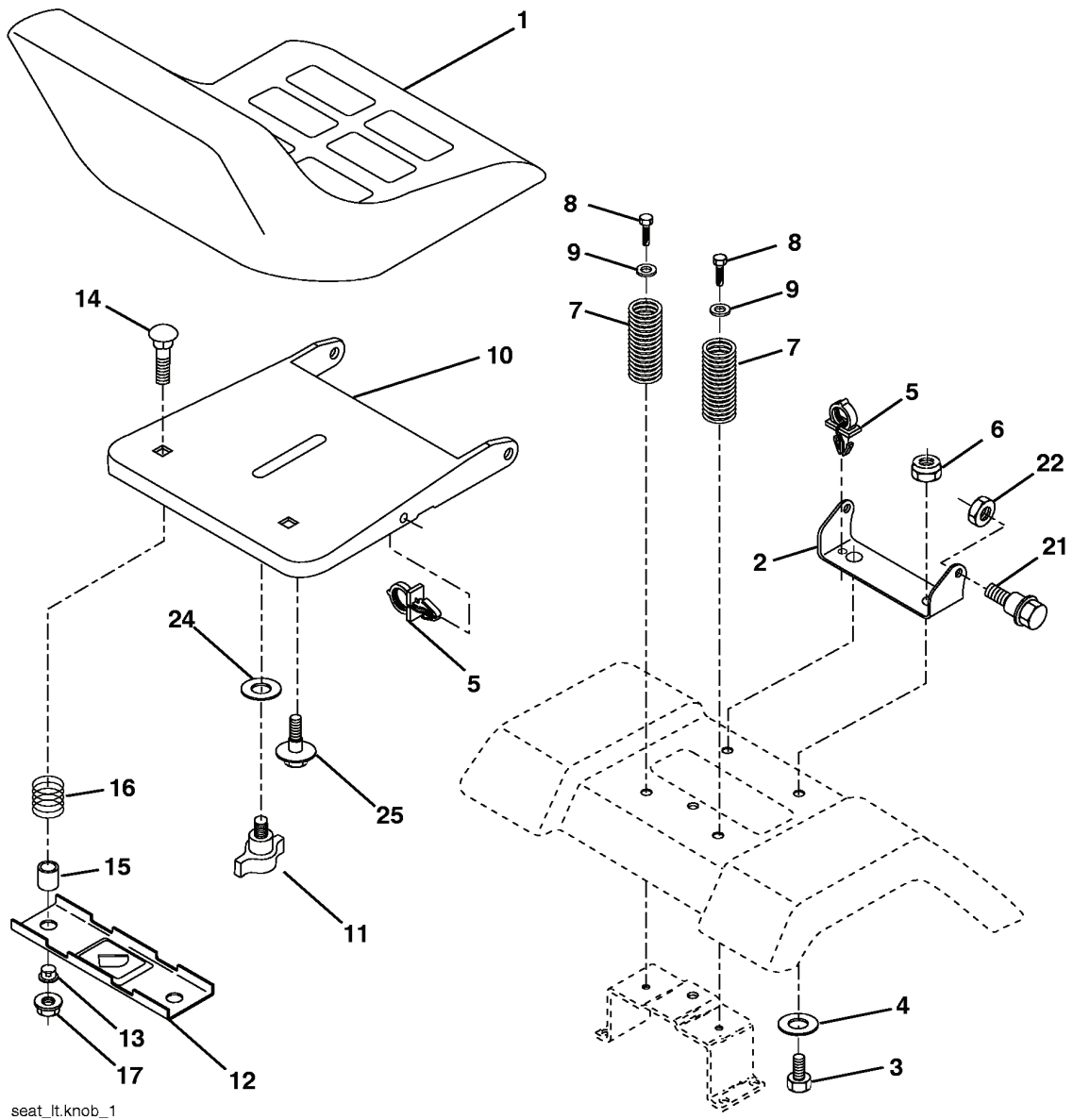


---

REF.	PART NO.	DESCRIPTION	REMARK	QTY.	KIT
2	817720408	SCREW		1	
4	532149723	MUFFLER		1	
5	532146699	PIPE		1	
6	532146700	PIPE		1	
8	532171877	BOLT		1	
10	532146629	HEAT SHIELD		1	
14	532148456	TUBE		1	
17	817060624	SCREW		1	
23	532169837	HEAT SHIELD		1	
26	873920600	NUT		1	
29	532137180	SPARK ARRESTER KIT		1	
31	532179022	TANK FUEL 3.50 REAR		1	
32	532181803	TANK CAP		1	
33	532123487	HOSE CLAMP		1	
37	532142158	FULE LINE		1	
38	532181654	PLUG		1	
41	532139277	NIPPLE		1	
45	817000612	SCREW		1	
101	532163305	NUT FLANGE M8-1.25 NON-		1	
112	532124952	BUSHING		1	
116	532184362	NUT		1	

# REPAIR PARTS

TRACTOR - MODEL NO. YTH2548 (YTH2548B), PRODUCT NO. 954 57 19-84  
SEAT ASSEMBLY



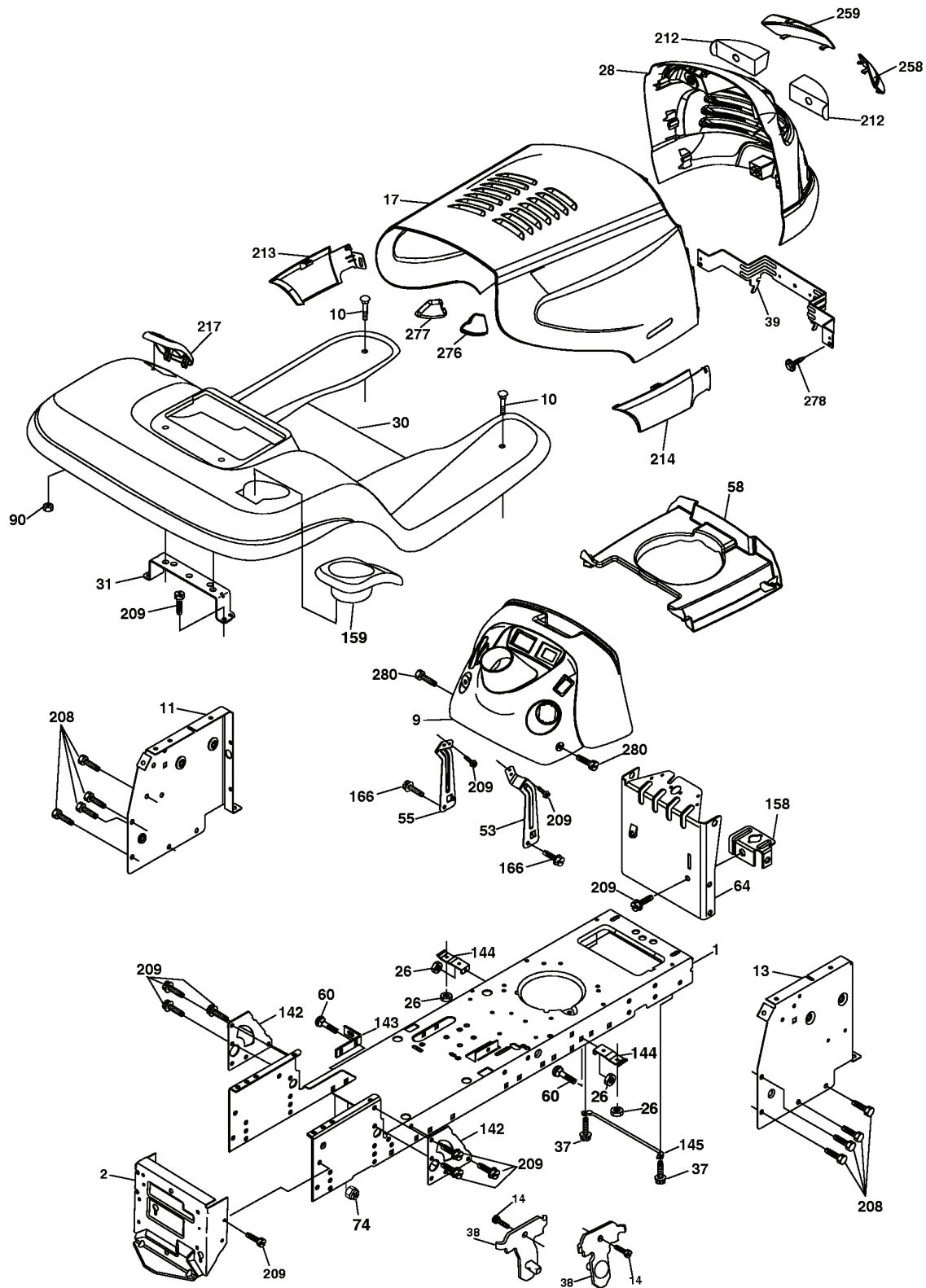
---

REF.	PART NO.	DESCRIPTION	REMARK	QTY.	KIT
1	532188715	SIEGE CONDUCTEUR		1	
2	532140551	BRACKET		1	
3	871110616	SCREW		1	
4	819131610	WASHER		1	
5	532145006	CLIP		1	
6	873800600	NUT		1	
7	532124181	SPRING		1	
8	817000616	SCREW		1	
9	819131614	WASHER		1	
10	532182493	BRACKET		1	
11	532166369	WING NUT		1	
12	532121246	BRACKET		1	
13	532121248	BUSHING		1	
14	872050412	BOLT		1	
15	532121249	SPACER		1	
16	532123740	SPRING		1	
17	532123976	LOCKNUT		1	
21	532171852	BOLT		1	
22	873800500	LOCK NUT		1	
24	819171912	WASHER		1	
25	532127018	BOLT		1	



# REPAIR PARTS

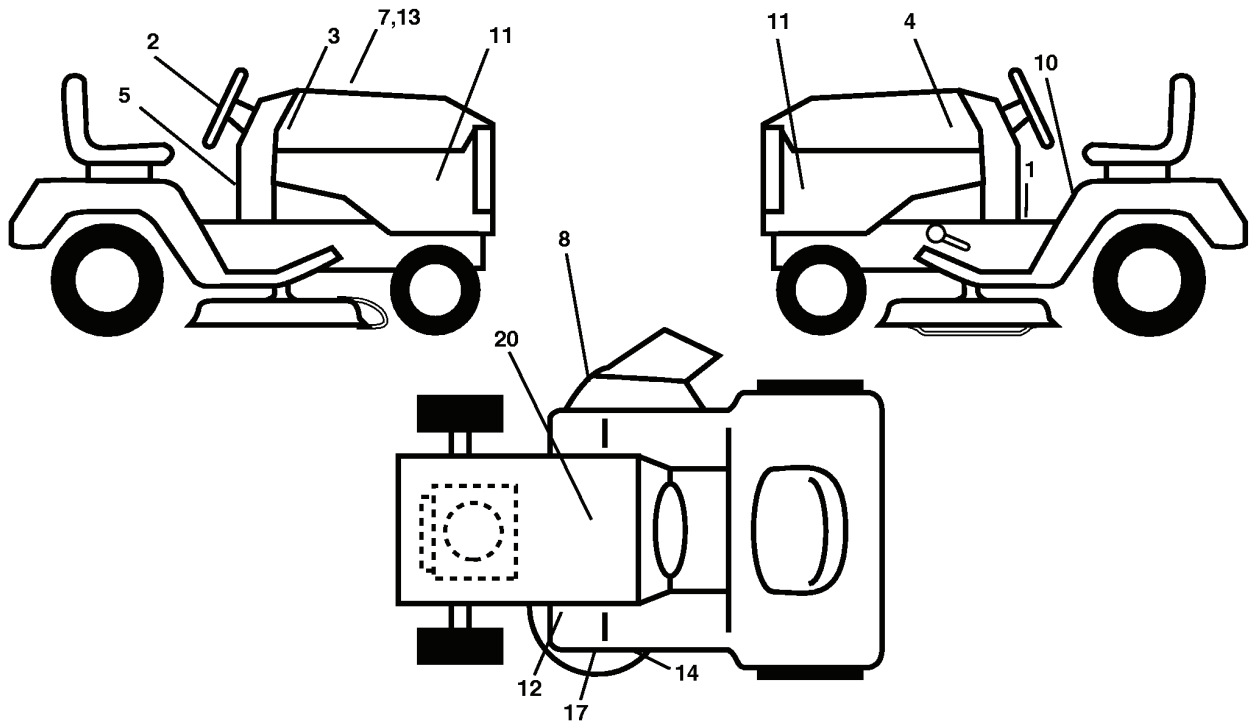
TRACTOR - MODEL NO. YTH2548 (YTH2548B), PRODUCT NO. 954 57 19-84  
CHASSIS AND ENCLOSURES



REF.	PART NO.	DESCRIPTION	REMARK	QTY.	KIT
1	532174619	FRAME		1	
2	532176554	PLATE		1	
10	872140608	BOLT		1	
11	532174996	DASHBOARD		1	
13	532172106	DASH		1	
14	817490608	SCREW		1	
26	873800600	NUT		1	
30	532191815	GUARD		1	
31	532139976	BRACKET		1	
37	817490508	SCREW		1	
38	532175710	BRACKET		1	
39	532174714	BRACKET PIVOT LASER LT		1	
58	532184463	CONDUIT		1	
60	872140606	BOLT		1	
64	532174997	DASH		1	
74	873680600	NUT		1	
90	532124346	NUT		1	
142	532175702	PLATE		1	
143	532186689	BRACKET		1	
144	532175582	BRACKET		1	
145	532156524	SHAFT		1	
158	532162037	BRACKET		1	
159	532185434	HOLDER		1	
166	532171875	SCREW		1	
208	817670608	SCREW		1	
209	817000612	SCREW		1	
217	532185436	BRACKET		1	
278	532191611	SCREW		1	
280	817060616	SCREW		1	

# REPAIR PARTS

TRACTOR - MODEL NO. YTH2548 (YTH2548B), PRODUCT NO. 954 57 19-84  
DECALS

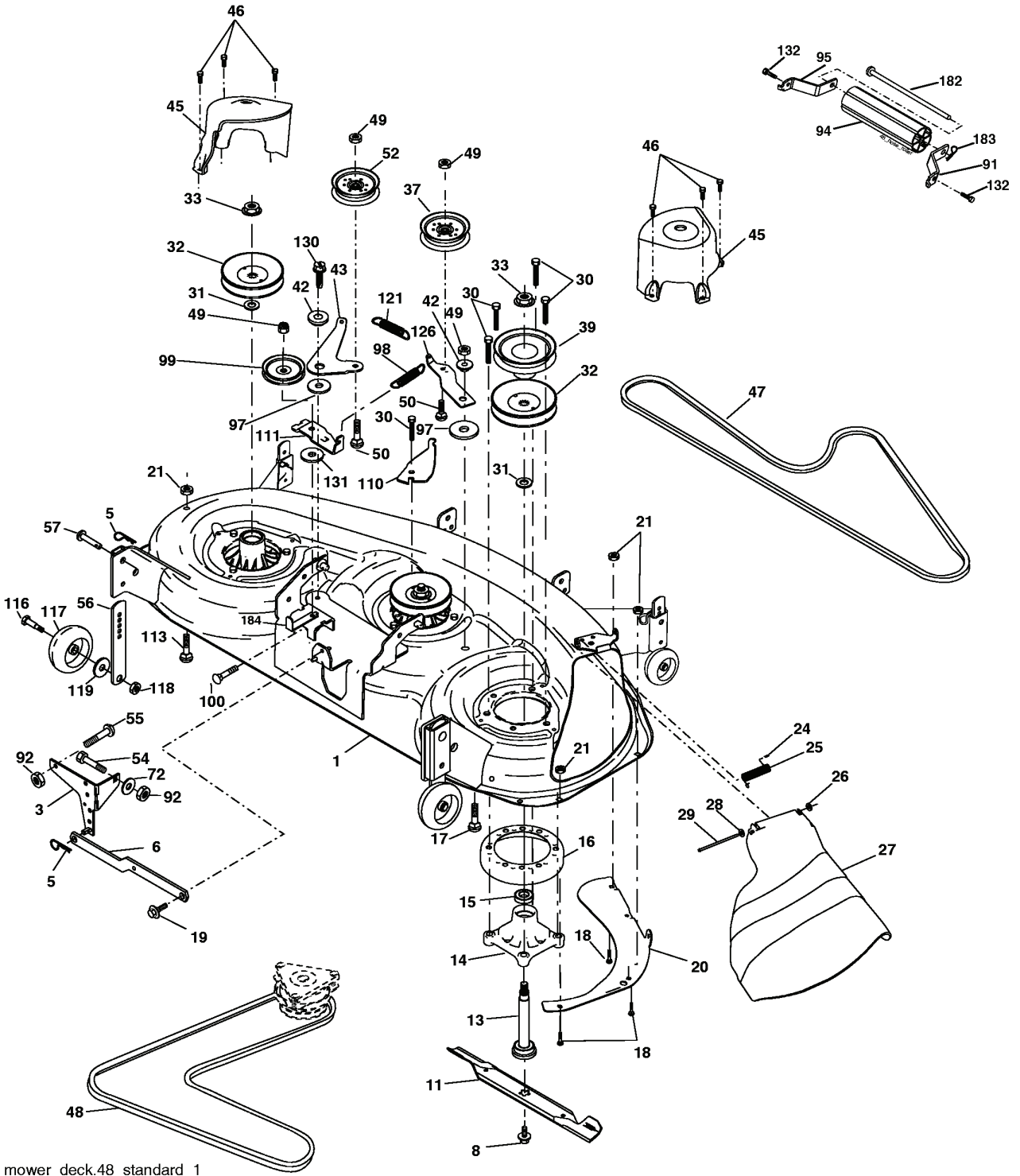


---

REF.	PART NO.	DESCRIPTION	REMARK	QTY.	KIT
1	532157032	DECAL		1	
2	532188925	DECAL		1	
8	532170563	DECAL:"DANGER"		1	
10	532157140	DECAL		1	
13	532180941	DECAL		1	
14	532175291	DECAL		1	
20	532145005	DECAL		1	
--	532166960	DECAL		1	
--	532188252	PAD, FOOTREST LH		1	
--	532188253	PAD, FOOTREST RH		1	
--	532138311	DECAL		1	

# REPAIR PARTS

TRACTOR - MODEL NO. YTH2548 (YTH2548B), PRODUCT NO. 954 57 19-84  
MOWER DECK

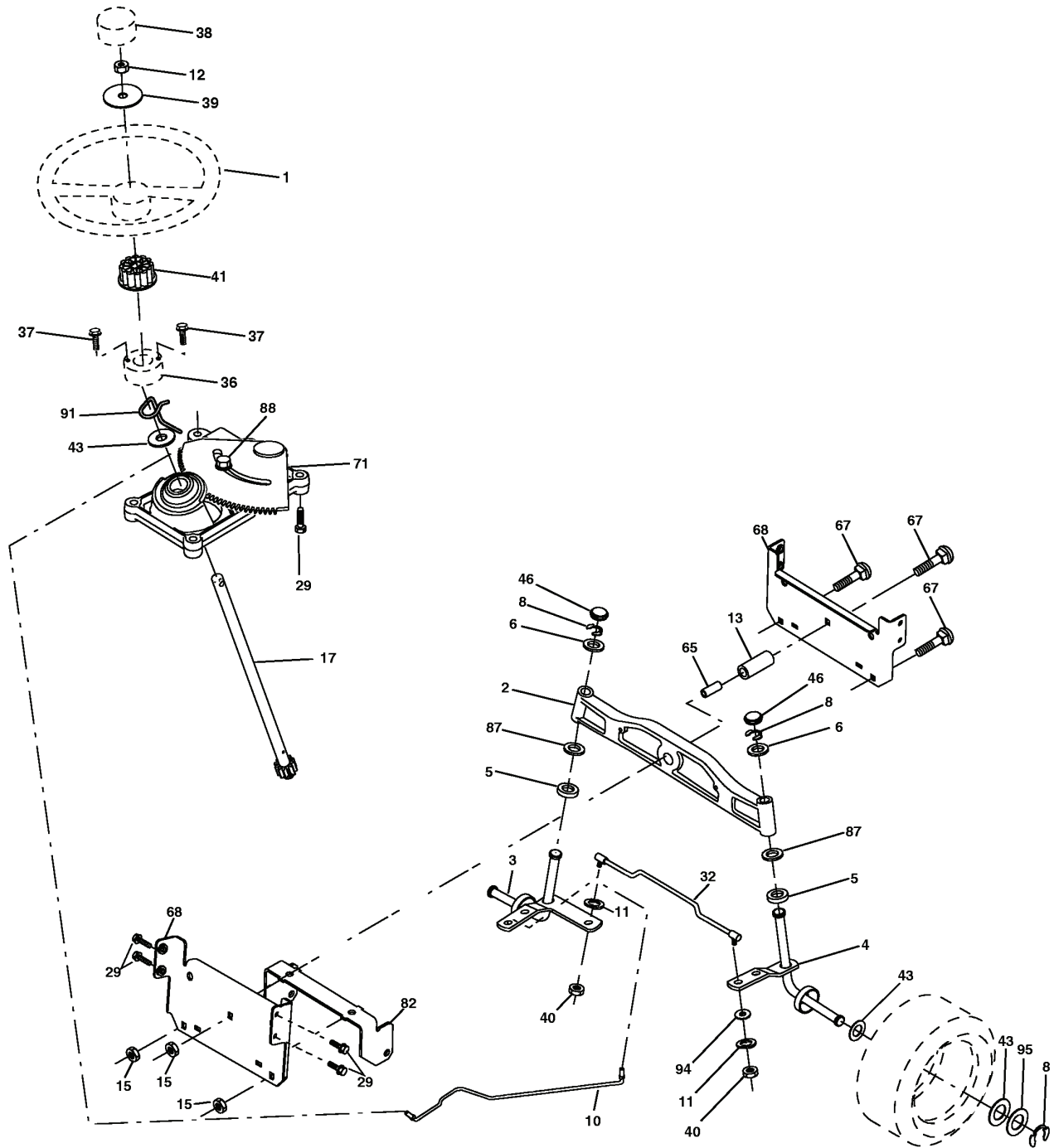


mower\_deck.48\_standard\_1

REF.	PART NO.	DESCRIPTION	REMARK	QTY.	KIT
1	532181848	DECK WELDMENT MOWER, 48		1	
3	532138017	BRACKE		1	
5	532124670	RETAINER RING		1	
6	532178024	LEVER		1	
8	532174365	BOLT		1	
11	532180054	BLADE		1	
13	532175147	SHAFT		1	
14	532174358	MANDREL		1	
15	532110485	BEARING		1	
16	532174493	STRIPPER, MANDREL.BLACK		1	
17	872110610	BOLT		1	
18	872140505	BOLT		1	
19	532132827	SPEC. BOLT		1	
20	532174378	BAFFLE		1	
21	873680500	NUT		1	
24	532105304	HUB CAP		1	
25	532178102	SPRING		1	
26	532110452	NUT		1	
27	532181707	SHIELD		1	
28	819111016	WASHER		1	
29	532131491	SHAFT		1	
30	532173984	SCREW		1	
31	532187690	WASHER		1	
32	532177865	PULLEY		1	
33	532178342	NUT		1	
37	532177968	PULLEY		1	
39	532174375	PULLEY		1	
42	532122052	SPACER		1	
43	532174373	LEVER		1	
45	532180806	COVER		1	
46	532137729	SCREW		1	
47	532180808	V-BELT		1	
48	532174368	V-BELT		1	
49	873900600	NUT		1	
50	872110612	BOLT		1	
52	532175820	PULLEY		1	
54	874780616	BOLT		1	
55	872140608	BOLT		1	
56	532155986	BAR		1	
57	532156941	PIN RETAINING SCREW		1	
72	819131312	WASHER		1	
91	532180535	BRACKET		1	
92	873800600	NUT		1	
94	532176066	ROLLER		1	
95	532180534	BRACKET		1	
97	532178515	WASHER		1	
98	532179479	SPRING		1	
99	532184058	PULLEY		1	
100	872110616	BOLT		1	
110	532175016	LEVER		1	
111	532174610	ARM		1	
113	872110506	BOLT		1	
116	532184219	BOLT		1	
117	532133957	WHEEL		1	
118	873930600	NUT		1	
119	819121414	WASHER		1	
121	532174371	SPRING		1	
126	532174372	LEVER		1	
130	817000616	SCREW		1	
131	819131606	WASHER		1	
132	817000612	SCREW		1	
182	532179127	ROD ROLLER NOSE		1	
183	532163552	CLIP		1	
184	532173979	BELT GUIDE		1	
--	532174357	PALIER DE LAME COMPLET		1	
--	532186353	DECK SHELL		1	

# REPAIR PARTS

TRACTOR - MODEL NO. YTH2548 (YTH2548B), PRODUCT NO. 954 57 19-84  
STEERING ASSEMBLY

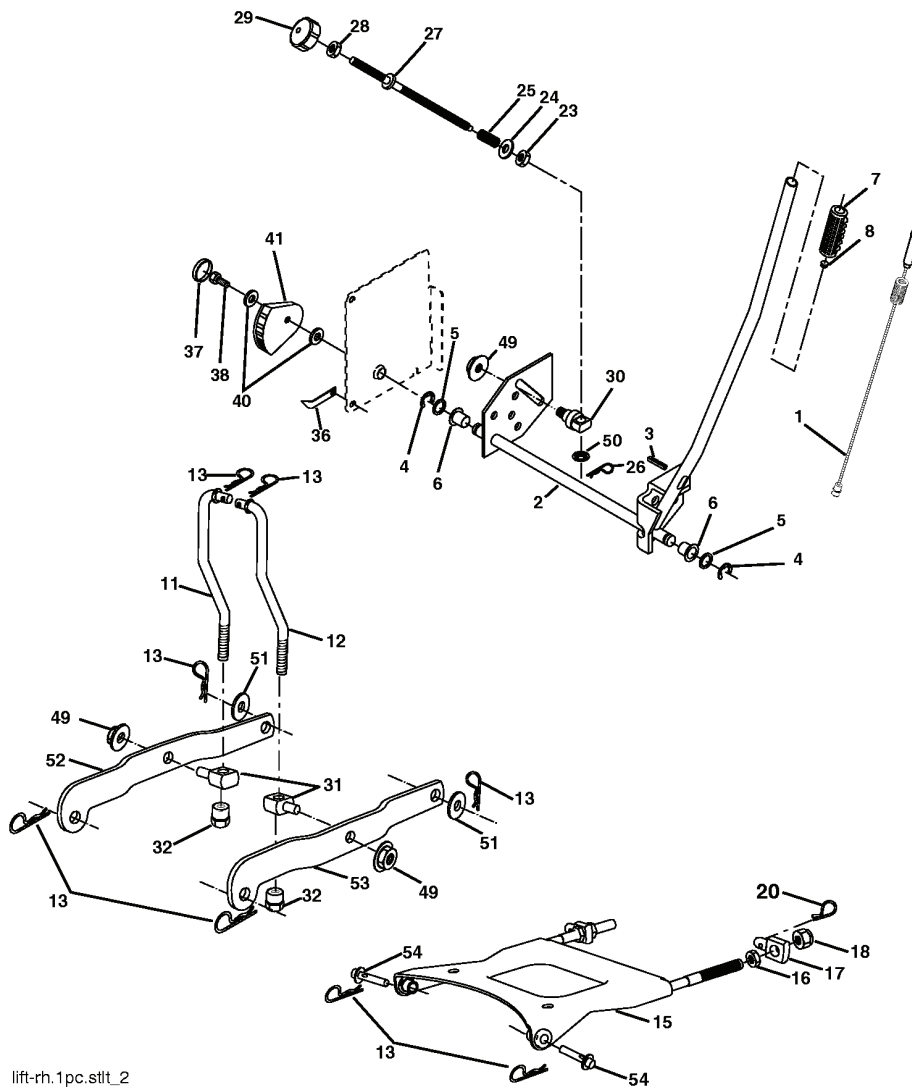


REF.	PART NO.	DESCRIPTION	REMARK	QTY.	KIT
1	532166627	STEERING WHEEL		1	
2	532184706	SHAFT		1	
3	532169840	SPINDLE		1	
4	532169839	SPINDLE		1	
5	532124931	WASHER		1	
6	532121748	WASHER		1	
8	812000029	RETAINER RING		1	
10	532175121	ROD		1	
11	810040600	WASHER		1	
12	873940800	NUT		1	
13	532136518	PIPE		1	
15	532145212	NUT		1	
17	532177883	SHAFT		1	
29	817000612	SCREW		1	
32	532180580	TIE ROD		1	
36	532155105	BUSHING		1	
37	532152927	SCREW		1	
38	532166626	INSERT		1	
39	819183812	WASHER		1	
40	873540600	NUT		1	
41	532159945	ADAPTER		1	
43	532121749	WASHER		1	
46	532121232	HUB CAP		1	
65	532160367	SPACER		1	
67	872110618	BOLT		1	
68	532169827	SHAFT		1	
71	532175146	STEERING GEAR		1	
82	532169835	BRACKET		1	
87	532173966	WASHER		1	
88	532175118	BOLT		1	
91	532175553	SPRING		1	
94	819121414	WASHER		1	
95	532188967	WASHER		1	



# REPAIR PARTS

TRACTOR - MODEL NO. YTH2548 (YTH2548B), PRODUCT NO. 954 57 19-84  
MOWER LIFT

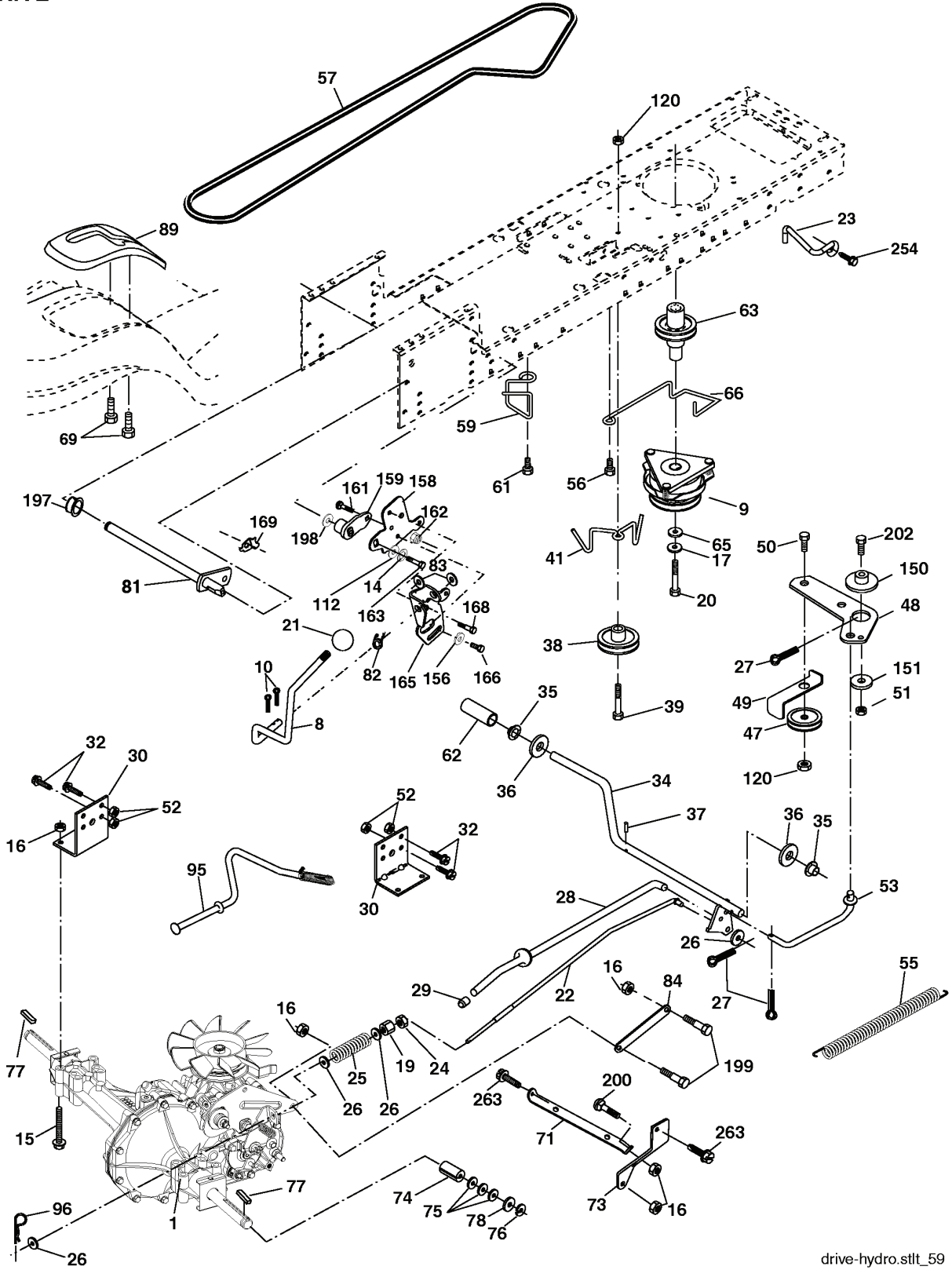


lift-rh.1pc.stlt\_2

REF.	PART NO.	DESCRIPTION	REMARK	QTY.	KIT
1	532159460	WIRE		1	
2	532159471	LEVER		1	
3	532105767	PIN RETAINING SCREW		1	
4	812000002	RETAINER RING		1	
5	819211621	WASHER		1	
6	532120183	BEARING		1	
7	532125631	HANDLE		1	
8	532124526	KNOB		1	
11	532175370	LINK		1	
12	532175371	LINK		1	
13	532124670	RETAINER RING		1	
15	532175562	BRACKET		1	
16	873350800	NUT		1	
17	532175689	BRACKET		1	
18	873800800	NUT		1	
20	532163552	CLIP		1	
23	532110807	NUT		1	
24	819131016	WASHER		1	
25	532124874	SPRING		1	
26	532169484	PIN		1	
27	532126971	LEVER		1	
28	873350600	NUT		1	
29	532138057	KNOB		1	
30	532150233	TRUNNION		1	
31	532176205	TRUNION		1	
32	532175994	NUT		1	
36	532155097	INDICATOR		1	
37	532123935	PLUG		1	
38	817060516	SCREW		1	
40	819112410	WASHER		1	
41	532155098	LEVER		1	
49	532145212	NUT		1	
50	532110452	NUT		1	
51	819171416	WASHER		1	
52	532175378	LEVER		1	
53	532175802	LEVER		1	
54	532175560	PIN RETAINING SCREW		1	

# REPAIR PARTS

TRACTOR - MODEL NO. YTH2548 (YTH2548B), PRODUCT NO. 954 57 19-84  
DRIVE



REF.	PART NO.	DESCRIPTION	REMARK	QTY.	KIT
8	532165866	ROD		1	
9	532179334	CLUTCH ELEC.		1	
10	876020416	SPLIT PIN		1	
14	810040400	WASHER		1	
15	874490544	SCREW		1	
16	873800500	LOCK NUT		1	
17	532126197	WASHER		1	
19	873800600	NUT		1	
20	532173937	BOLT		1	
21	532140845	KNOB		1	
22	532169498	ROD		1	
23	532190736	BRACKET		1	
24	873350600	NUT		1	
25	532106888	SPRING		1	
26	819131316	WASHER		1	
27	876020412	SPLIT PIN		1	
28	532175765	SHAFT		1	
29	532071673	COVER		1	
30	532169592	BRACKET		1	
32	874760512	BOLT		1	
34	532175578	SHAFT		1	
35	532120183	BEARING		1	
36	819211616	WASHER		1	
37	532124963	PIN RETAINING SCREW		1	
38	532179114	PULLEY		1	
39	872110622	BOLT		1	
41	532175556	BELT GUIDE		1	
47	532127783	PULLEY		1	
48	532154407	GUIDE		1	
49	532123205	BELT GUIDE		1	
50	872110612	BOLT		1	
51	873680600	NUT		1	
52	873680500	NUT		1	
53	532105710	LINK		1	
55	532105709	SPRING		1	
56	817060620	SCREW		1	
57	532140294	BELT		1	
59	532169691	BELT GUIDE		1	
61	817120614	SCREW		1	
62	532124872	PEDAL RUBBER		1	
63	532174607	PULLEY		1	
65	810040700	WASHER		1	
66	532154778	TENSIONER		1	
69	532142432	SCREW		1	
71	532169183	ROD		1	
73	532169182	BRACKET		1	
74	532137057	SPACER		1	
75	532121749	WASHER		1	
76	812000001	RETAINER RING		1	
77	532123583	KEY		1	
78	532121748	WASHER		1	
81	532165596	SHAFT		1	
82	532165711	SPRING		1	
83	819171216	WASHER		1	
84	532169594	LINK		1	
89	532191816	BRACKET		1	
95	532170201	CONTROL		1	
96	532124788	RETAINER RING		1	
112	819091210	WASHER		1	
120	873900600	NUT		1	
150	532175456	SPACER		1	
151	819133210	WASHER		1	
156	532166002	WASHER		1	
158	532165589	BRACKET		1	
159	532183900	LEVER		1	
161	872140406	BOLT		1	
162	873680400	NUT		1	
163	874780416	BOLT		1	
165	532165623	BRACKET		1	
166	817490510	SCREW		1	
168	532165492	BOLT		1	
169	532165580	RETAINER		1	
197	532169613	SLEEVE		1	
198	532169593	WASHER		1	
199	532169612	SCREW		1	
200	872140508	BOLT		1	
202	872110614	BOLT		1	
254	817000616	SCREW		1	

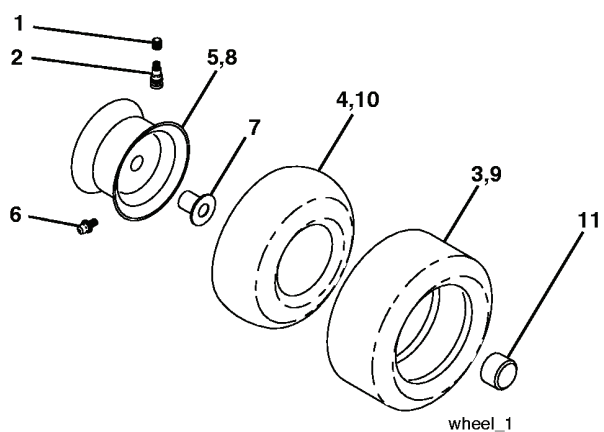
---

REF.	PART NO.	DESCRIPTION	REMARK	QTY.	KIT
263	817000612	SCREW		1	

## REPAIR PARTS

TRACTOR - MODEL NO. YTH2548 (YTH2548B), PRODUCT NO. 954 57 19-84

### WHEELS & TIRES



---

REF.	PART NO.	DESCRIPTION	REMARK	QTY.	KIT
1	532059192	CAP VALVE		1	
2	532065139	NIPPLE		1	
3	532106222	TIRE		1	
4	532059904	HOSE		1	
5	532138336	RIM		1	
6	532124957	FITTING		1	
7	532124959	BEARING		1	
8	532138337	RIM.SPROCKET		1	
9	532122082	TIRE		1	
10	532124926	HOSE		1	
11	532175039	HUB CAP		1	
--	532144334	SEALING FOAM		1	