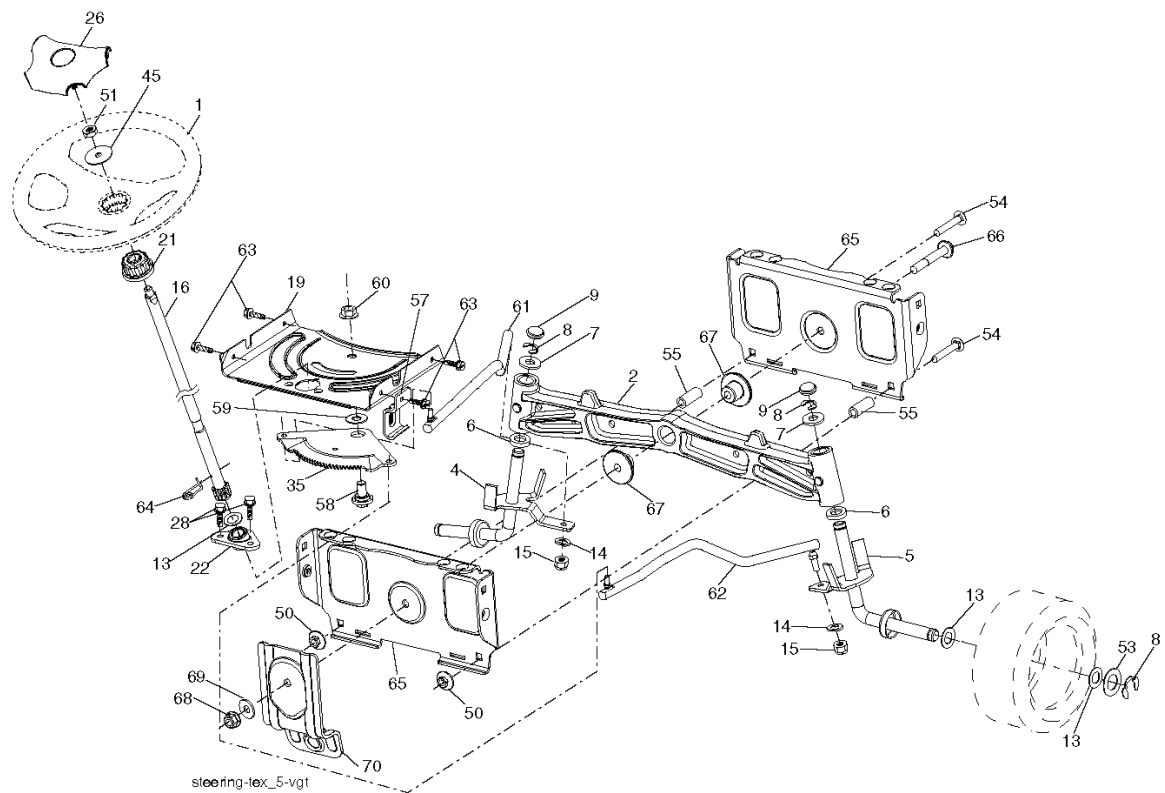


YTH20F42 T, 96043000502, 2006-09

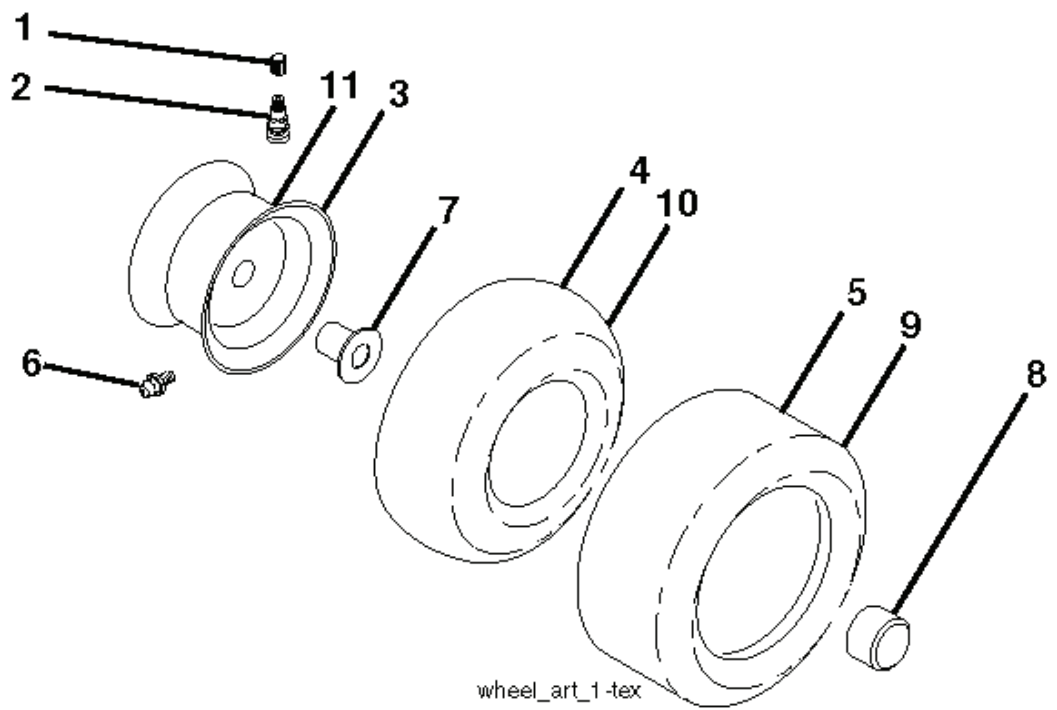
SPARE PARTS LIST

TRACTOR - MODEL NO. YTH20F42T (96043000502), PRODUCT NO. 960 43 00-05
STEERING ASSEMBLY



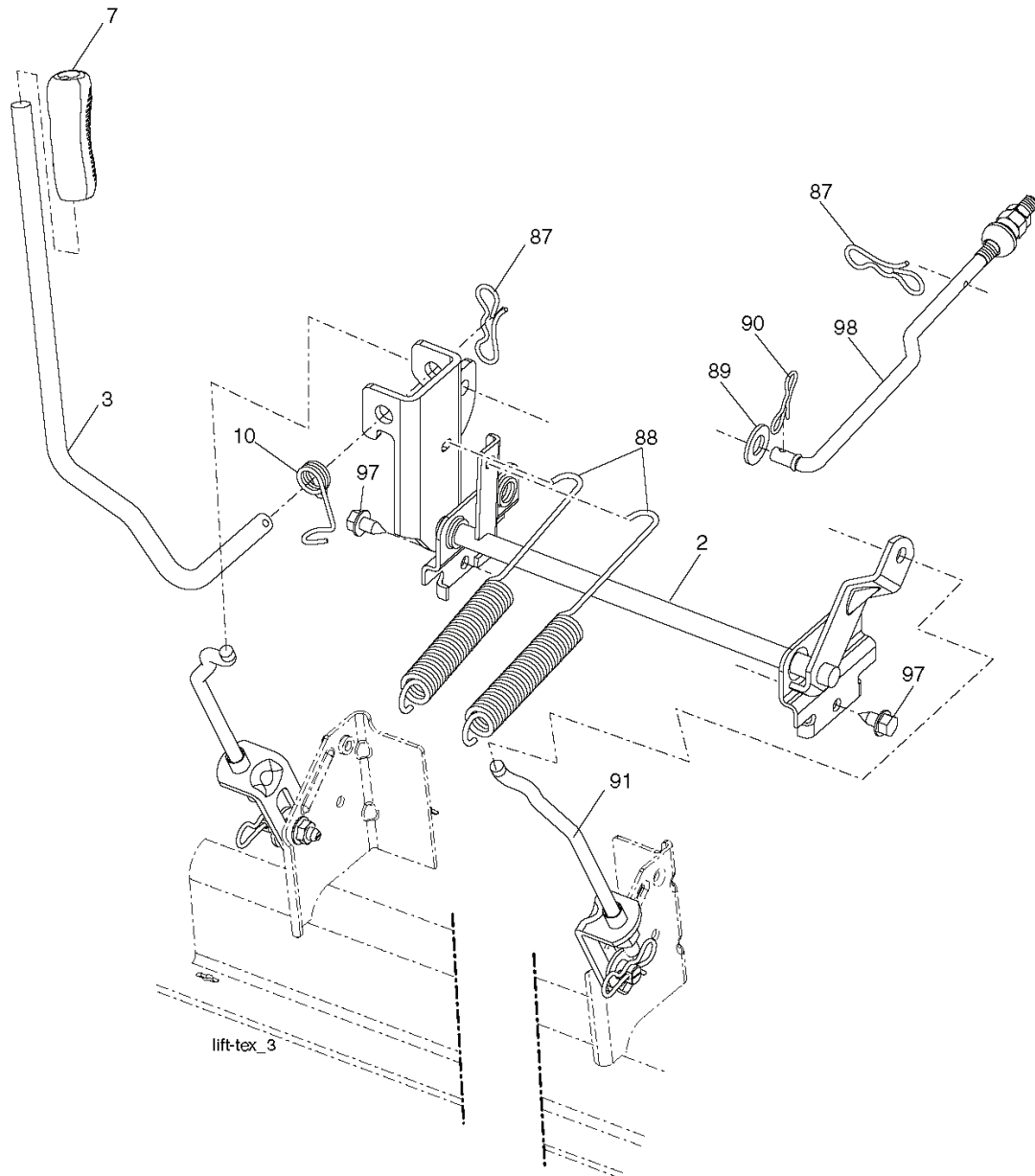
| REF. | PART NO. | DESCRIPTION | REMARK | QTY. | KIT |
|------|-----------|-----------------|--------|------|-----|
| 1 | 532193943 | WHEEL STEERING | | 1 | |
| 2 | 532403087 | SPINDLE | | 1 | |
| 4 | 532403088 | SPINDLE | LH | 1 | |
| 5 | 532197936 | SHAFT | RH | 1 | |
| 6 | 532124931 | WASHER | | 1 | |
| 7 | 532121748 | WASHER | | 1 | |
| 8 | 812000029 | RETAINER RING | | 1 | |
| 9 | 532121232 | HUB CAP | | 1 | |
| 13 | 532121749 | WASHER | | 1 | |
| 14 | 810040600 | WASHER | | 1 | |
| 15 | 873540600 | NUT | | 1 | |
| 16 | 532194746 | SHAFT | | 1 | |
| 19 | 532194729 | PLATE | | 1 | |
| 21 | 532186737 | ADAPTER | | 1 | |
| 22 | 532194845 | BUSHING | | 1 | |
| 26 | 532193652 | HUB | | 1 | |
| 28 | 817000612 | SCREW | | 1 | |
| 35 | 532194732 | PLATE | | 1 | |
| 45 | 819183812 | WASHER | | 1 | |
| 50 | 873900600 | NUT | | 1 | |
| 51 | 873940800 | NUT | | 1 | |
| 53 | 532188967 | WASHER | | 1 | |
| 54 | 874760636 | BOLT | | 1 | |
| 55 | 532197636 | SPACER | | 1 | |
| 57 | 532197246 | BRACKET | | 1 | |
| 58 | 532194747 | BOLT | | 1 | |
| 59 | 532194748 | WASHER | | 1 | |
| 60 | 873971000 | NUT | | 1 | |
| 61 | 532194740 | LINK | LH | 1 | |
| 62 | 532194741 | LINK | RH | 1 | |
| 63 | 817000512 | SCREW | | 1 | |
| 64 | 532199849 | SPRING RETAINER | | 1 | |
| 65 | 532194734 | BRACKET | | 1 | |
| 66 | 871020748 | BOLT | | 1 | |
| 67 | 532194737 | BUSHING | | 1 | |
| 68 | 873900700 | NUT | | 1 | |
| 69 | 532199162 | WASHER | | 1 | |
| 70 | 532196197 | BRACKET | | 1 | |

WHEELS AND TIRES



| REF. | PART NO. | DESCRIPTION | REMARK | QTY. | KIT |
|------|-----------|--------------|--------------------------|------|-----|
| 1 | 532059192 | CAP VALVE | | 1 | |
| 2 | 532065139 | NIPPLE | | 1 | |
| 3 | 532138337 | RIM SPROCKET | | 1 | |
| 4 | 532059904 | HOSE | Service Item Only | 1 | |
| 5 | 532106222 | TIRE | | 1 | |
| 6 | 532124957 | FITTING | Front Wheel Only | 1 | |
| 7 | 532124959 | BEARING | Front Wheel Only | 1 | |
| 8 | 532175039 | HUB CAP | Front Wheel Only | 1 | |
| 9 | 532138468 | TIRE | | 1 | |
| 10 | 532124926 | HOSE | Service Item Only | 1 | |
| 11 | 532138336 | RIM | | 1 | |
| | 532144334 | SEALING FOAM | "NOT SHOWN, 10 oz. Tube" | 1 | |

TRACTOR - MODEL NO. YTH20F42T (96043000502), PRODUCT NO. 960 43 00-05
MOWER LIFT



lift-tex_3

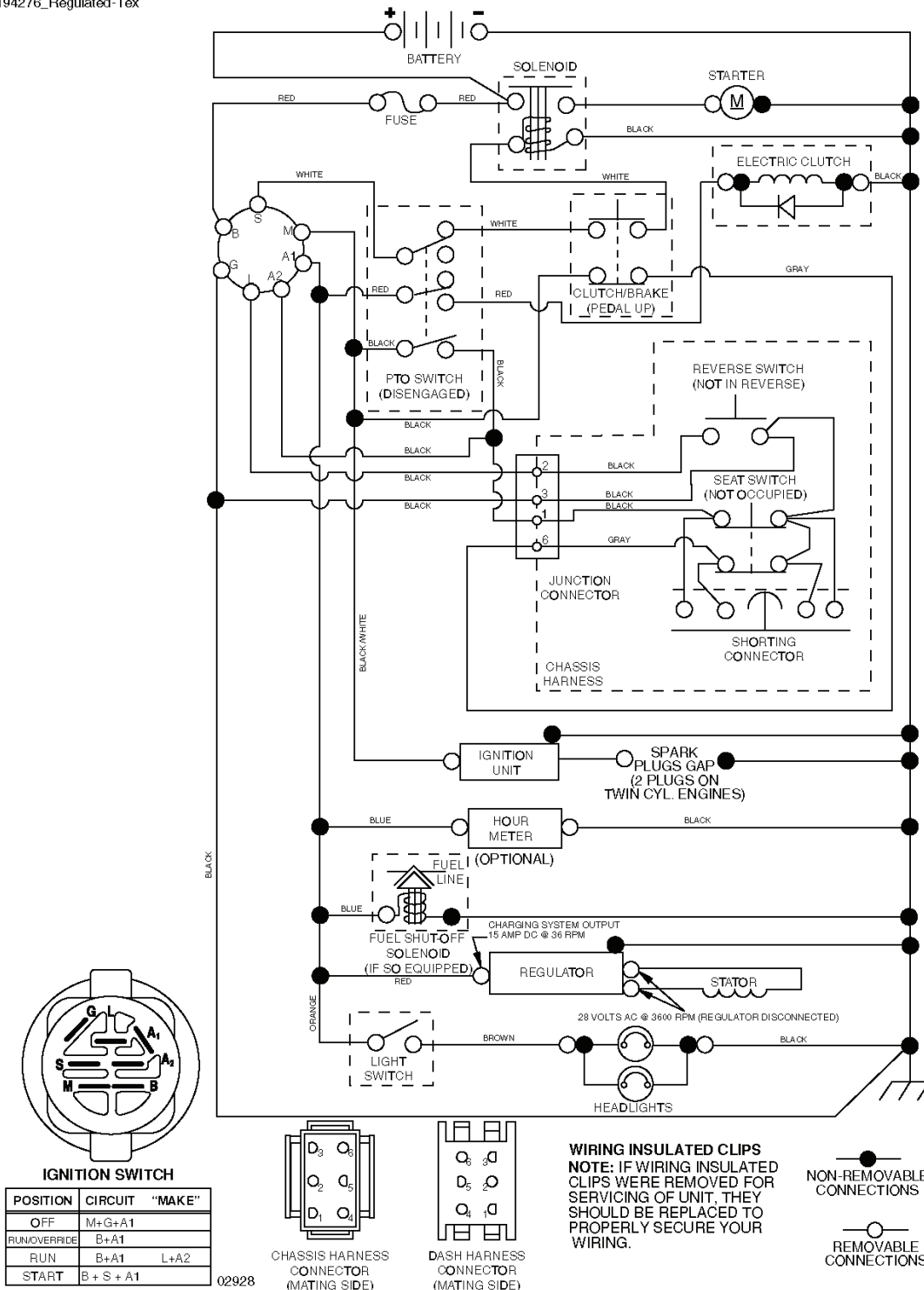
KEY PART

KEY PART

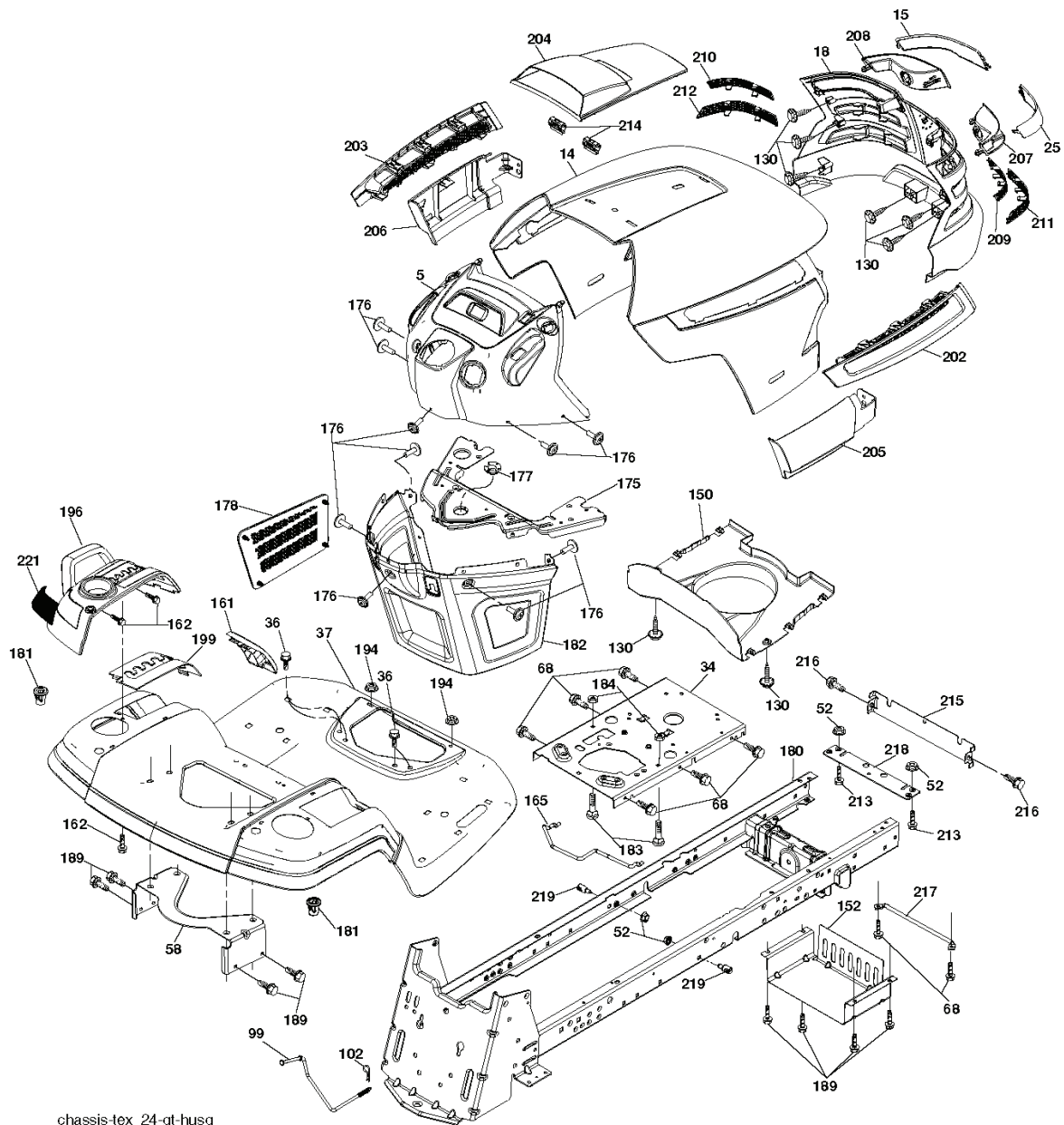
| REF. | PART NO. | DESCRIPTION | REMARK | QTY. | KIT |
|------|-----------|---------------------------|--------|------|-----|
| 2 | 532195223 | SHAFT | | 1 | |
| 3 | 532195230 | LEVER | RH | 1 | |
| 7 | 532196492 | GRIP | | 1 | |
| 10 | 532196314 | SPRING | | 1 | |
| 41 | 532175994 | NUT | | 1 | |
| 87 | 532194209 | SPRING | | 1 | |
| 88 | 532195304 | SPRING | | 1 | |
| 89 | 819191912 | WASHER | | 1 | |
| 90 | 532194208 | PIN | | 1 | |
| 91 | 532195181 | LINK | | 1 | |
| 92 | 532195174 | BRACKET CONNECT LINK LIFT | | 1 | |
| 95 | 532195171 | BUSHING | | 1 | |
| 97 | 817060612 | SCREW | | 1 | |
| 98 | 532195270 | LINK | | 1 | |
| 99 | 532195263 | BUSHING | | 1 | |
| 100 | 873360700 | NUT | | 1 | |

TRACTOR - MODEL NO. YTH20F42T (96043000502), PRODUCT NO. 960 43 00-05 SCHEMATIC

02928-194276_Regulated-Tex



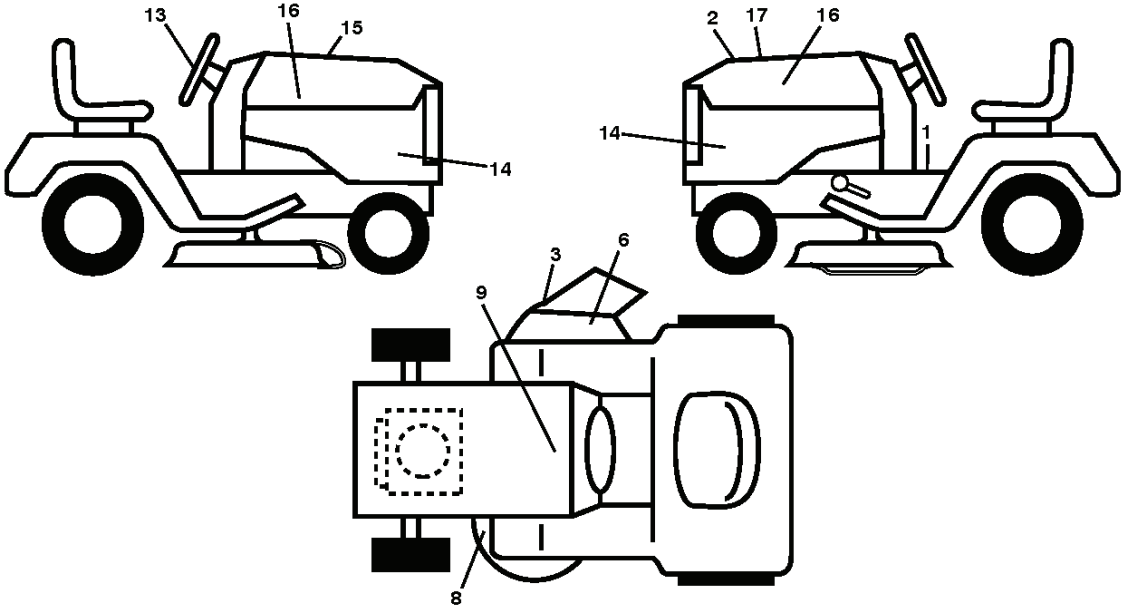
**TRACTOR - MODEL NO. YTH20F42T (96043000502), PRODUCT NO. 960 43 00-05
CHASSIS**



chassis-tex_24-gt-husq

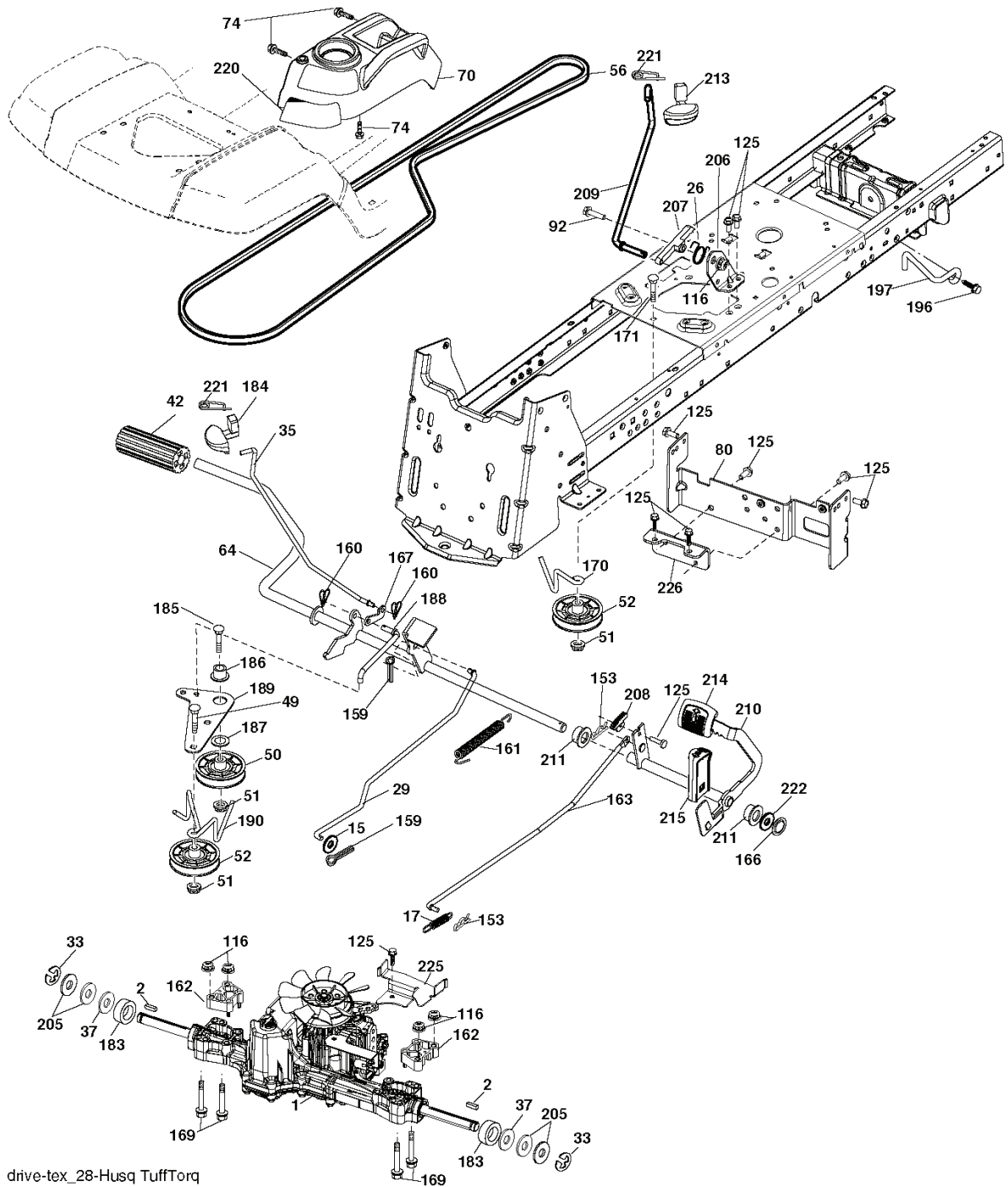
| REF. | PART NO. | DESCRIPTION | REMARK | QTY. | KIT |
|------|-----------|---------------------------|-----------|------|-------------|
| 5 | 532401823 | PANEL | | 1 | |
| 14 | 532401824 | HOOD | | 1 | |
| 15 | 532198907 | LENS | LH | 1 | |
| 18 | 532404821 | FRONT COVER | | 1 | *15, 25. |
| 25 | 532198906 | LENS | RH | 1 | |
| 34 | 532196125 | PLATE | | 1 | |
| 36 | 817060512 | SCREW | | 1 | |
| 37 | 532401825 | FENDER | | 1 | |
| 52 | 873680500 | NUT | | 1 | |
| 58 | 532194314 | BRACKET | | 1 | |
| 68 | 817490508 | SCREW | | 1 | |
| 99 | 532401996 | ROD | | 1 | |
| 102 | 532124788 | RETAINER RING | | 1 | |
| 130 | 532191611 | SCREW | | 1 | |
| 150 | 532198512 | BRACKET | | 1 | |
| 152 | 532196390 | SHIELD | | 1 | |
| 161 | 532401826 | CONSOLE | | 1 | |
| 162 | 532142432 | SCREW | | 1 | |
| 165 | 532196826 | BRACKET | | 1 | |
| 175 | 532196304 | SUPPORT | | 1 | |
| 176 | 532400776 | SCREW | | 1 | |
| 177 | 532195227 | BUSHING | | 1 | |
| 178 | 532199782 | NET | | 1 | |
| 180 | 532401559 | CHASSIS | | 1 | |
| 181 | 532403025 | BUSHING | | 1 | |
| 182 | 532194787 | PANEL | | 1 | |
| 189 | 817000512 | SCREW | | 1 | |
| 194 | 873800500 | LOCK NUT | | 1 | |
| 196 | 532400299 | CONSOLE | | 1 | |
| 199 | 532198259 | PLATE | | 1 | |
| 202 | 532403048 | LIST | RH | 1 | |
| 203 | 532403076 | LIST | LH | 1 | |
| 204 | 532198904 | AIR CONDUCTOR | | 1 | |
| 205 | 532401709 | LIST | RH | 1 | |
| 206 | 532401711 | LIST | LH | 1 | |
| 207 | 532197198 | LENS | RH | 1 | |
| 208 | 532197199 | LENS | LH | 1 | |
| 209 | 532199130 | INSERT | RH | 1 | |
| 210 | 532199131 | INSERT | LH | 1 | |
| 211 | 532199132 | INSERT | RH | 1 | |
| 212 | 532199133 | INSERT | LH | 1 | |
| 213 | 874760512 | BOLT | | 1 | |
| 214 | 532199145 | CLIP | | 1 | |
| 215 | 532198043 | COVER | | 1 | |
| 216 | 817670508 | SCREW | | 1 | |
| 217 | 532156524 | SHAFT | | 1 | |
| 218 | 532196395 | PLATE | | 1 | |
| 219 | 532195161 | STUD | | 1 | |
| 220 | 873970500 | NUT | | 1 | |
| 221 | 532198909 | LENS | LH | 1 | |
| | 532404137 | TROU*RPL.PAR 532401556428 | NOT SHOWN | 1 | |

**TRACTOR - MODEL NO. YTH20F42T (96043000502), PRODUCT NO. 960 43 00-05
DECALS**



| REF. | PART NO. | DESCRIPTION | REMARK | QTY. | KIT |
|------|-----------|-----------------|-----------------|------|-----|
| 1 | 532402104 | DECAL | | 1 | |
| 2 | 532402128 | LABEL | | 1 | |
| 3 | 532170563 | DECALC:"DANGER" | | 1 | |
| 6 | 532179128 | DECAL | | 1 | |
| 8 | 532160396 | DECAL | | 1 | |
| 9 | 532145005 | DECAL | | 1 | |
| 13 | 532404484 | LABEL | | 1 | |
| 14 | 532403718 | DECAL | | 1 | |
| 15 | 532180941 | DECAL | | 1 | |
| 16 | 532403378 | DECAL | | 1 | |
| 17 | 532405321 | DECAL | | 1 | |
| | 532166960 | DECAL | NOT SHOWN | 1 | |
| | 532401771 | FOOTREST | "NOT SHOWN, LH" | 1 | |
| | 532401770 | PAD | "NOT SHOWN, RH" | 1 | |

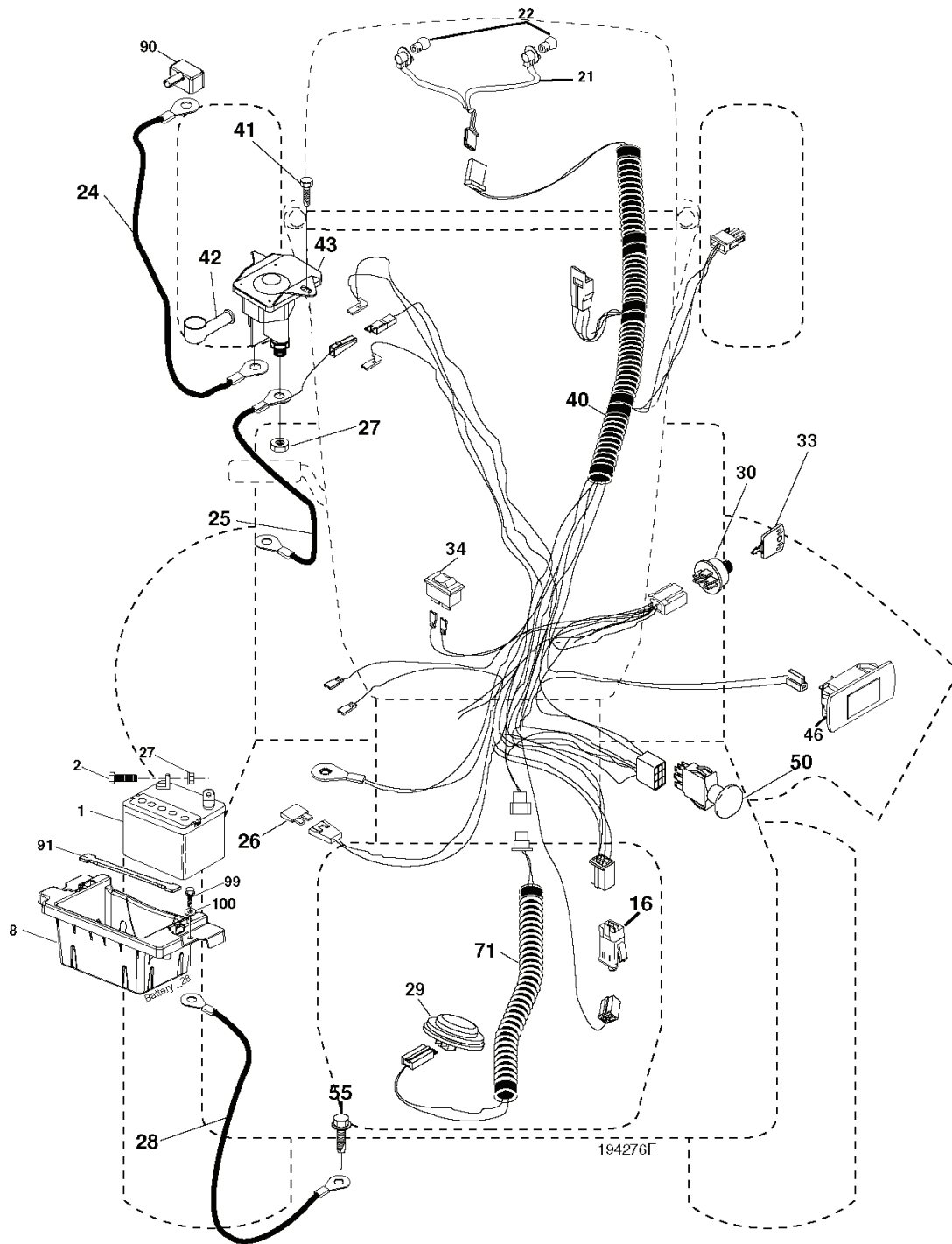
**TRACTOR - MODEL NO. YTH20F42T (96043000502), PRODUCT NO. 960 43 00-05
DRIVE**



drive-tex_28-Husq TuffTorq

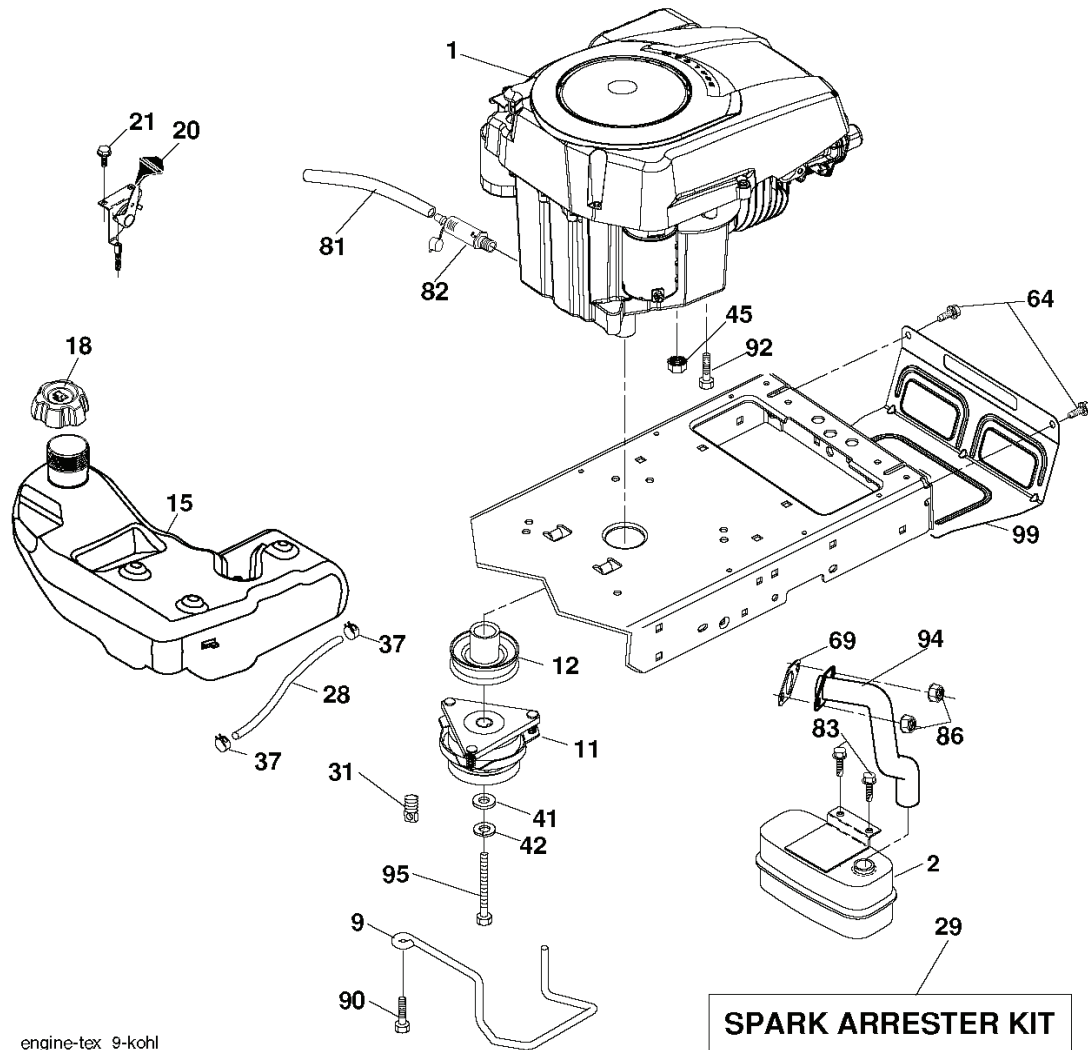
| REF. | PART NO. | DESCRIPTION | REMARK | QTY. | KIT |
|------|-----------|-------------------------------|------------------------------|------|-----|
| 1 | 532404047 | TRANSAXLE.K46BN.PEDAL CONTROL | Internal parts not available | 1 | |
| 2 | 532123583 | KEY | | 1 | |
| 15 | 819131316 | WASHER | | 1 | |
| 17 | 532401072 | SPRING | | 1 | |
| 26 | 532199679 | SPRING | | 1 | |
| 29 | 532403806 | ROD | | 1 | |
| 33 | 812000001 | RETAINER RING | | 1 | |
| 35 | 532199591 | ROD | | 1 | |
| 37 | 532121749 | WASHER | | 1 | |
| 42 | 532124872 | PEDAL RUBBER | | 1 | |
| 49 | 872110614 | BOLT | | 1 | |
| 50 | 532194327 | PULLEY | | 1 | |
| 51 | 873900600 | NUT | | 1 | |
| 52 | 532194326 | PULLEY | | 1 | |
| 56 | 532130969 | BELT | | 1 | |
| 64 | 532197865 | SHAFT | | 1 | |
| 70 | 532400530 | PANEL | | 1 | |
| 74 | 532142432 | SCREW | | 1 | |
| 80 | 532404483 | STRAP | | 1 | |
| 96 | 874760520 | BOLT | | 1 | |
| 116 | 873900500 | NUT | | 1 | |
| 125 | 817000512 | SCREW | | 1 | |
| 153 | 532124788 | RETAINER RING | | 1 | |
| 159 | 876020412 | SPLIT PIN | | 1 | |
| 160 | 532169484 | PIN | | 1 | |
| 161 | 532195403 | SPRING | | 1 | |
| 162 | 532195785 | SPACER | | 1 | |
| 163 | 532401034 | ROD | | 1 | |
| 166 | 532197290 | NUT | | 1 | |
| 167 | 532196211 | LATCH | | 1 | |
| 169 | 874490560 | BOLT | | 1 | |
| 170 | 532194322 | KEEPER | | 1 | |
| 171 | 872110616 | BOLT | | 1 | |
| 183 | 532137057 | SPACER | | 1 | |
| 184 | 532403118 | CONTROL | | 1 | |
| 185 | 872110620 | BOLT | | 1 | |
| 186 | 532194321 | SPACER | | 1 | |
| 187 | 819133210 | WASHER | | 1 | |
| 188 | 532194323 | LINK | | 1 | |
| 189 | 532194317 | PLATE | | 1 | |
| 190 | 532194318 | BELT GUIDE | | 1 | |
| 196 | 817000616 | SCREW | | 1 | |
| 197 | 532195804 | BRACKET | | 1 | |
| 205 | 532121748 | WASHER | | 1 | |
| 206 | 532197867 | BRACKET | | 1 | |
| 207 | 532197868 | LATCH | | 1 | |
| 208 | 532197869 | SUPPORT | | 1 | |
| 209 | 532199592 | ROD | | 1 | |
| 210 | 532197860 | ARM | | 1 | |
| 211 | 532120183 | BEARING | | 1 | |
| 213 | 532403119 | CONTROL | | 1 | |
| 214 | 532401722 | PEDAL | | 1 | |
| 215 | 532401723 | PEDAL | | 1 | |
| 221 | 532403187 | SPRING | | 1 | |
| 222 | 819212010 | WASHER | | 1 | |
| 225 | 532403319 | BELT GUIDE | | 1 | |
| 226 | 532400831 | BRACKET | | 1 | |

**TRACTOR - MODEL NO. YTH20F42T (96043000502), PRODUCT NO. 960 43 00-05
ELECTRICAL**



| REF. | PART NO. | DESCRIPTION | REMARK | QTY. | KIT |
|------|-----------|-------------------------|--------|------|-----|
| 1 | 532144927 | BATTERY | | 1 | |
| 2 | 874760412 | BOLT | | 1 | |
| 8 | 532186491 | BOX | | 1 | |
| 16 | 532176138 | MICRO SWITCH | | 1 | |
| 21 | 532183759 | HARNES | | 1 | |
| 22 | 532004152 | BULB | | 1 | |
| 24 | 532400253 | CABLE | | 1 | |
| 25 | 532198893 | CABLE | | 1 | |
| 26 | 532175158 | FUSE | | 1 | |
| 27 | 873510400 | NUT | | 1 | |
| 28 | 532145491 | CABLE | | 1 | |
| 29 | 532401545 | SWITCH | | 1 | |
| 30 | 532193350 | IGNITION MODULE | | 1 | |
| 33 | 532140401 | KEY | | 1 | |
| 34 | 532110712 | SWITCH | | 1 | |
| 40 | 532194276 | CABLE ASSY | | 1 | |
| 41 | 817720408 | SCREW | | 1 | |
| 42 | 532131563 | COVER | | 1 | |
| 43 | 532192507 | SOLENOID | | 1 | |
| 46 | 532198138 | DISPLAY | | 1 | |
| 50 | 532174651 | SWITCH | | 1 | |
| 55 | 817490508 | SCREW | | 1 | |
| 71 | 532401104 | CABLE ASSY | | 1 | |
| 90 | 532400724 | COVER | | 1 | |
| 91 | 532190270 | STRAP BATTERY MOUNT FRO | | 1 | |
| 99 | 817670412 | SCREW | | 1 | |
| 100 | 819091416 | WASHER | | 1 | |

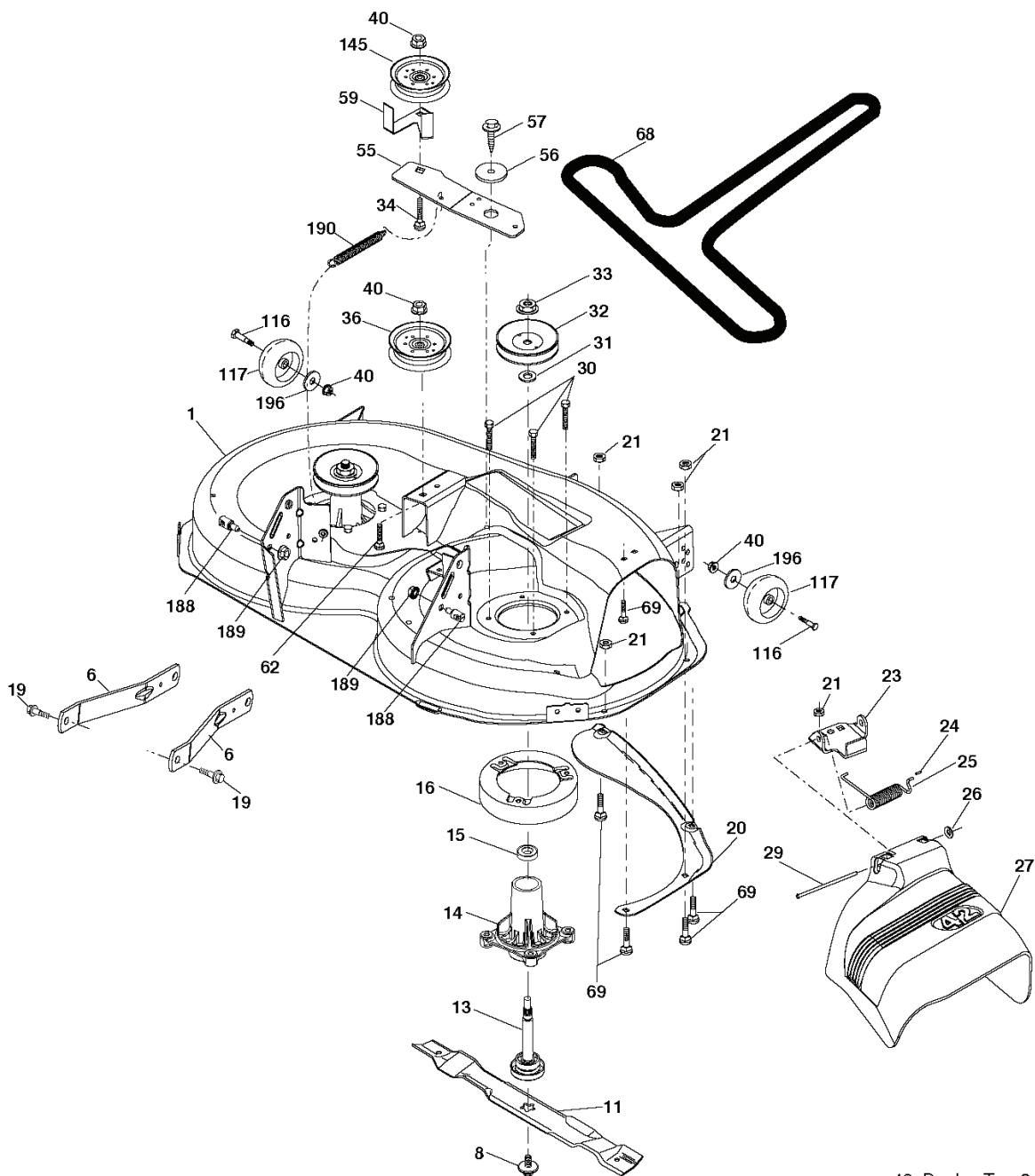
TRACTOR - MODEL NO. YTH20F42T (96043000502), PRODUCT NO. 960 43 00-05
ENGINE



engine-tex_9-kohl

| REF. | PART NO. | DESCRIPTION | REMARK | QTY. | KIT |
|------|-----------|------------------------|-------------------|------|-----|
| 1 | | | | 1 | |
| 2 | 532188655 | MUFFLER | | 1 | |
| 9 | 532194320 | BELT GUIDE | | 1 | |
| 11 | 532180505 | CLUTCH | | 1 | |
| 12 | 532405097 | PULLEY | | 1 | |
| 15 | 532193499 | FUEL TANK | | 1 | |
| 18 | 532194267 | FUEL CAP | | 1 | |
| 20 | 532401508 | THROTTLE CONTROL | | 1 | |
| 21 | 817720408 | SCREW | | 1 | |
| 28 | 532401135 | LINE.FUEL.64'REAR.EMIS | | 1 | |
| 29 | 532137180 | SPARK ARRESTER KIT | | 1 | |
| 31 | 532145005 | DECAL | | 1 | |
| 37 | 532123487 | HOSE CLAMP | | 1 | |
| 41 | 532126197 | WASHER | | 1 | |
| 42 | 810040700 | WASHER | | 1 | |
| 45 | 873510400 | NUT | | 1 | |
| 64 | 817000612 | SCREW | | 1 | |
| 69 | 532185909 | GASKET | | 1 | |
| 81 | 532148456 | TUBE | | 1 | |
| 82 | 532181654 | PLUG | | 1 | |
| 83 | 532171877 | BOLT | Goes with muffler | 1 | |
| 86 | 532184362 | NUT | | 1 | |
| 90 | 817000616 | SCREW | | 1 | |
| 92 | 817120616 | SCREW | | 1 | |
| 94 | 532188654 | TUBE EXHAUST | | 1 | |
| 95 | 532173937 | BOLT | | 1 | |
| 99 | 532194329 | SHIELD | | 1 | |

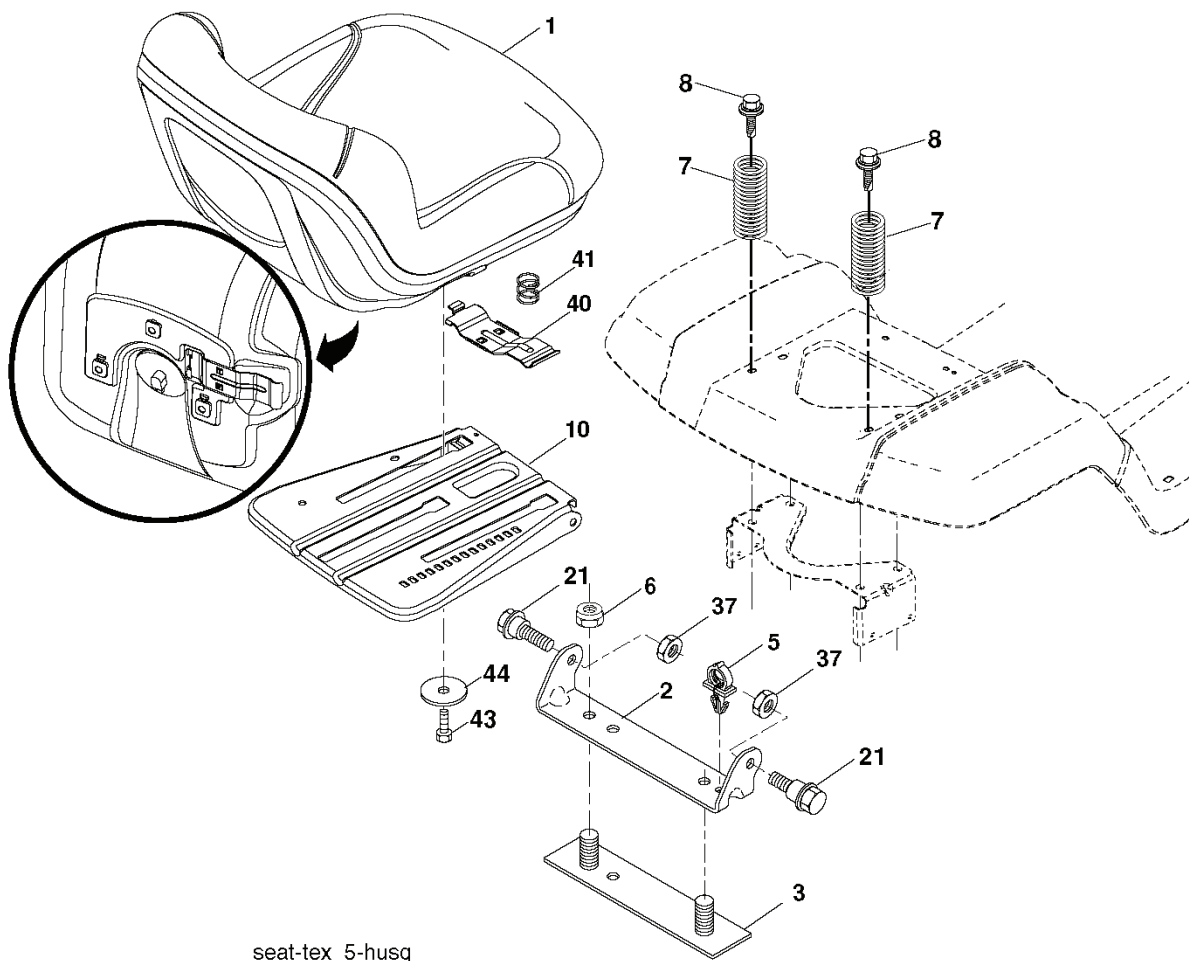
**TRACTOR - MODEL NO. YTH20F42T (96043000502), PRODUCT NO. 960 43 00-05
MOWER DECK**



42_D_elec-Tex_8

| REF. | PART NO. | DESCRIPTION | REMARK | QTY. | KIT |
|------|-----------|--------------------------|---|------|-----|
| 1 | 532196495 | HOUSING | | 1 | |
| 6 | 532195186 | ARM | | 1 | |
| 8 | 532193003 | SCREW | | 1 | |
| 11 | 532138971 | BLADE | For bagging or discharge | 1 | |
| 11 | 532139775 | RIDE ON BLADE | For better wear when mulching | 1 | |
| 11 | 532134149 | RIDE ON BLADE | For mulching mowers only | 1 | |
| 13 | 532192872 | SHAFT ASSY | | 1 | |
| 14 | 532187281 | BEARING HOUSING | | 1 | |
| 15 | 532110485 | BEARING | | 1 | |
| 16 | 532174493 | STRIPPER, MANDREL, BLACK | | 1 | |
| 19 | 532196539 | BOLT | | 1 | |
| 20 | 532159770 | RAIL | | 1 | |
| 21 | 873680500 | NUT | | 1 | |
| 23 | 532192557 | HINGE | | 1 | |
| 24 | 532105304 | HUB CAP | | 1 | |
| 25 | 532197026 | TORSION SPRING | | 1 | |
| 26 | 532110452 | NUT | | 1 | |
| 27 | 532403004 | SHIELD | | 1 | |
| 29 | 532131491 | SHAFT | | 1 | |
| 30 | 532173984 | SCREW | | 1 | |
| 31 | 532187690 | WASHER | | 1 | |
| 32 | 532173436 | PULLEY | | 1 | |
| 33 | 532400234 | NUT | | 1 | |
| 34 | 872110612 | BOLT | | 1 | |
| 36 | 532196106 | PULLEY | | 1 | |
| 40 | 873900600 | NUT | | 1 | |
| 55 | 532197249 | ARM | | 1 | |
| 56 | 532199092 | SPACER | | 1 | |
| 57 | 817000616 | SCREW | | 1 | |
| 59 | 532141043 | GUARD | | 1 | |
| 62 | 872110616 | BOLT | | 1 | |
| 68 | 532144959 | BELT | | 1 | |
| 69 | 872140505 | BOLT | | 1 | |
| 116 | 532193406 | BOLT | | 1 | |
| 117 | 532174873 | WHEEL | | 1 | |
| 145 | 532177968 | PULLEY | | 1 | |
| 188 | 532195161 | STUD | | 1 | |
| 189 | 873900500 | NUT | | 1 | |
| 190 | 532197251 | SPRING | | 1 | |
| 196 | 819132012 | WASHER | | 1 | |
| | 532192870 | SPINDLE | "NOT SHOWN - Includes housing, shaft and shaft hardware only-pulley not included" | 1 | |
| | 532401224 | DECK,SVC.42" HPE.2GWB | NOT SHOWN | 1 | |

**TRACTOR - MODEL NO. YTH20F42T (96043000502), PRODUCT NO. 960 43 00-05
SEAT ASSEMBLY**



seat-tex_5-husq

| REF. | PART NO. | DESCRIPTION | REMARK | QTY. | KIT |
|------|-----------|-------------|--------|------|-----|
| 1 | 532197526 | SEAT | | 1 | |
| 2 | 532180166 | BRACKET | | 1 | |
| 3 | 532140675 | STRAP | | 1 | |
| 5 | 532145006 | CLIP | | 1 | |
| 6 | 873800600 | NUT | | 1 | |
| 7 | 532124181 | SPRING | | 1 | |
| 8 | 532171877 | BOLT | | 1 | |
| 10 | 532196977 | PLATE | | 1 | |
| 21 | 532171852 | BOLT | | 1 | |
| 37 | 873800500 | LOCK NUT | | 1 | |
| 40 | 532197661 | HANDLE | | 1 | |
| 41 | 532198200 | SPRING | | 1 | |
| 43 | 874760612 | BOLT | | 1 | |
| 44 | 819133812 | WASHER | | 1 | |
| | PART NO. | | REMARK | | KIT |