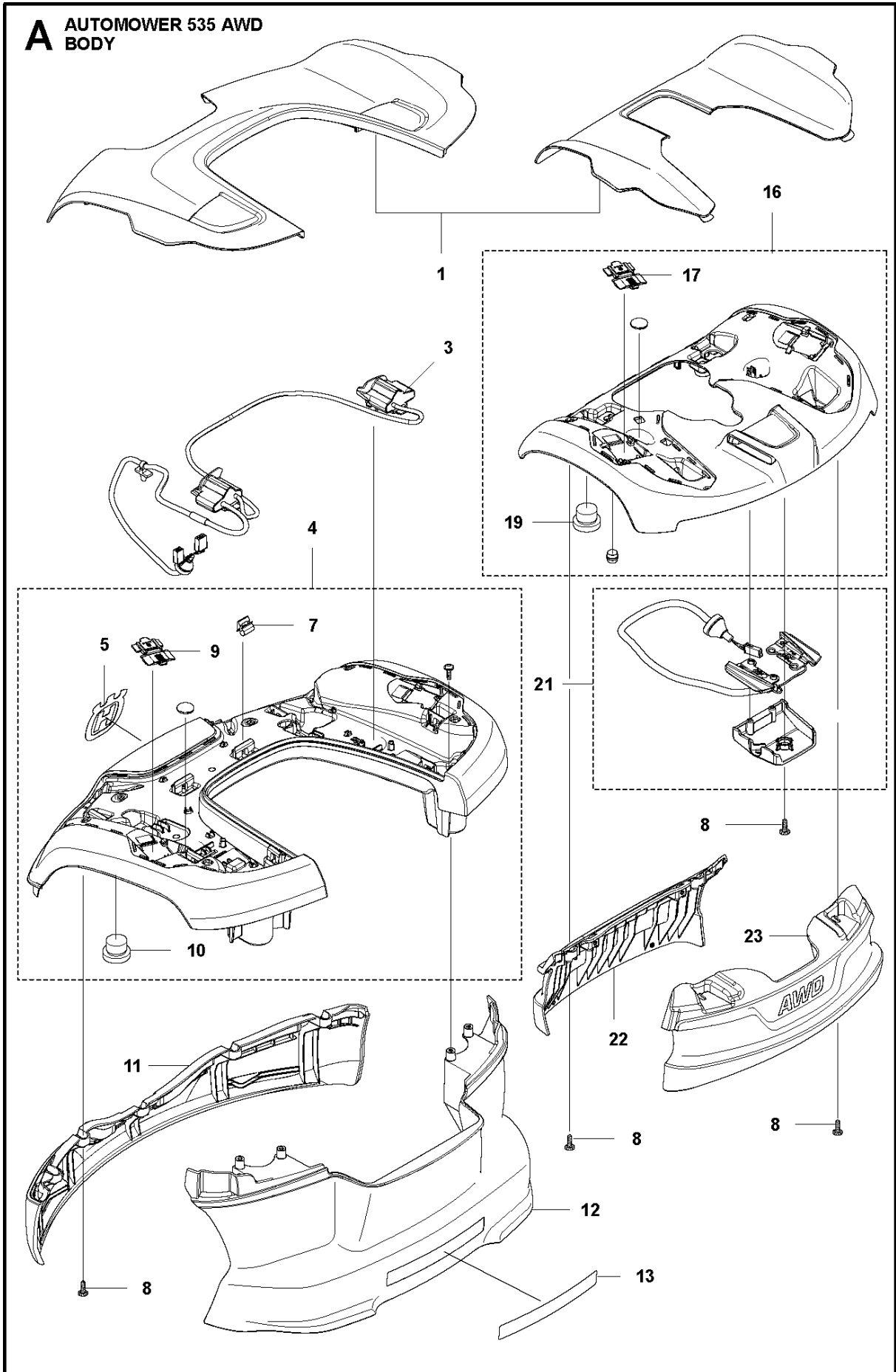




# SPARE PARTS LIST

ROBOTIC LAWN MOWERS  
AUTOMOWER 535 AWD, 2019-

**A** AUTOMOWER 535 AWD  
BODY

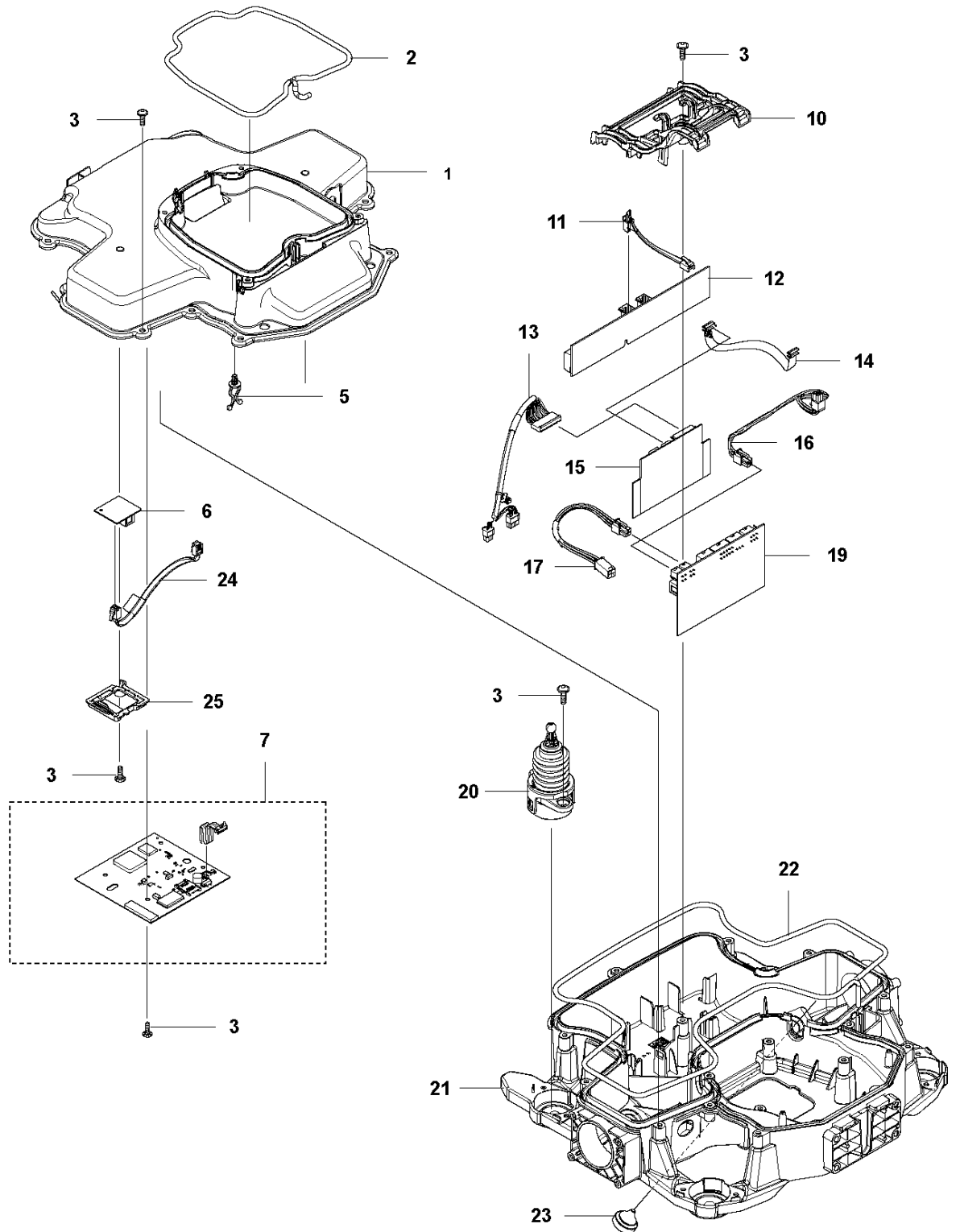


## COVER

AUTOMOWER 535 AWD, 2019-

| Ref | Part No      | Description        | Remark           | QTY KIT |
|-----|--------------|--------------------|------------------|---------|
| 1   | 596 30 02-01 | BODY KIT           | Top Cover Grey   | 1       |
| 1   | 596 30 02-02 | BODY KIT           | Top Cover Orange | 1       |
| 3   | 588 59 67-04 | WIRING ASSY        | US Sensor        | 1       |
| 4   | 597 16 18-01 | BODY ASSY          | Front            | 1       |
| 5   | 587 42 35-02 | DECAL              | Husqvarna Crown  | 1       |
| 7   | 593 77 84-01 | CLIP               | Body connection  | 1       |
| 8   | 574 45 01-01 | SCREW ITPANT       |                  | 10      |
| 9   | 591 49 46-01 | HOLDER             | Wheel Brush      | 1       |
| 10  | 580 52 68-01 | CAP                | Snaploc          | 1       |
| 11  | 591 46 74-01 | BUMPER             | Front            | 1       |
| 12  | 591 46 75-01 | BUMPER             | Front tail       | 1       |
| 13  | 586 35 97-01 | LABEL              | Warning          | 1       |
| 16  | 597 16 19-01 | BODY ASSY          | Rear             | 1       |
| 17  | 591 49 46-01 | HOLDER             | Wheel Brusch     | 1       |
| 19  | 580 52 68-01 | CAP                | Snaploc          | 1       |
| 21  | 597 16 56-01 | CHARGING PLATE KIT |                  | 1       |
| 22  | 591 46 78-01 | BUMPER             | Rear Head        | 1       |
| 23  | 591 46 79-01 | BUMPER             | Rear Tail        | 1       |

**B** AUTOMOWER 535 AWD  
CHASSIS FRONT

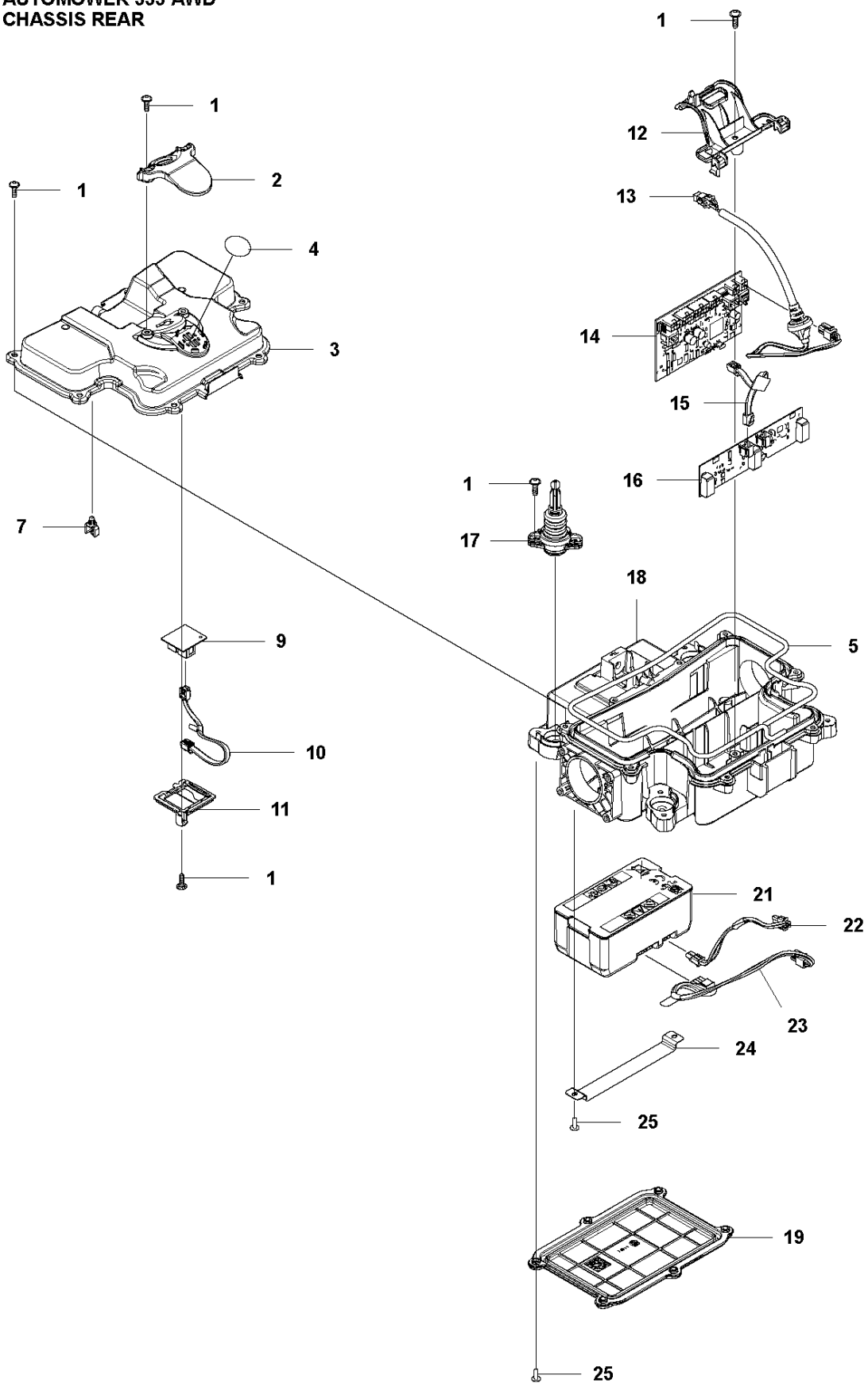


## CHASSIS

AUTOMOWER 535 AWD, 2019-

| Ref | Part No      | Description          | Remark                | QTY KIT |
|-----|--------------|----------------------|-----------------------|---------|
| 1   | 592 74 34-01 | CHASSIS              | Upper front           | 1       |
| 2   | 574 87 47-14 | SEALING STRIP        | Chassis Upper Front   | 1       |
| 3   | 575 54 33-14 | SCREW                |                       | 4       |
| 5   | 580 68 29-01 | HOLDER               | Twist lock            | 11      |
| 6   | 591 12 55-01 | PRINTED CIRCUIT ASSY | Magnetic Sensor       | 1       |
| 7   | 586 66 23-06 | GPS MODULE           | Automower Connect     | 1       |
| 10  | 592 74 37-01 | HOLDER               | PCB front             | 1       |
| 11  | 589 35 08-03 | WIRING ASSY          | Modular Jack          | 1       |
| 12  | 591 12 57-02 | PRINTED CIRCUIT ASSY | Loop Receiver Board   | 1       |
| 13  | 580 61 44-02 | WIRING ASSY          | Ultra Sonic Extension | 1       |
| 14  | 579 70 86-02 | WIRING ASSY          | AUX                   | 1       |
| 15  | 578 28 57-01 | PRINTED CIRCUIT ASSY | Ultra Sonic Board     | 1       |
| 16  | 591 20 31-01 | WIRING ASSY          | HMI cable 4P          | 1       |
| 17  | 591 20 33-01 | WIRING ASSY          | Main Cable Adapter 4P | 1       |
| 19  | 591 12 56-01 | PRINTED CIRCUIT ASSY | Motor Controler Board | 1       |
| 20  | 592 73 63-01 | JOYSTICK             | Assy                  | 4       |
| 21  | 592 74 36-01 | CHASSIS              | Lower front           | 1       |
| 22  | 574 87 47-12 | SEALING STRIP        | Chassis Lower Front   | 1       |
| 23  | 584 89 75-01 | GROMMET              |                       | 4       |
| 24  | 589 35 08-03 | WIRING ASSY          | Modular Jack          | 1       |
| 25  | 591 49 43-01 | HOLDER               | Magnetic Sensor Board | 1       |

**C** AUTOMOWER 535 AWD  
CHASSIS REAR

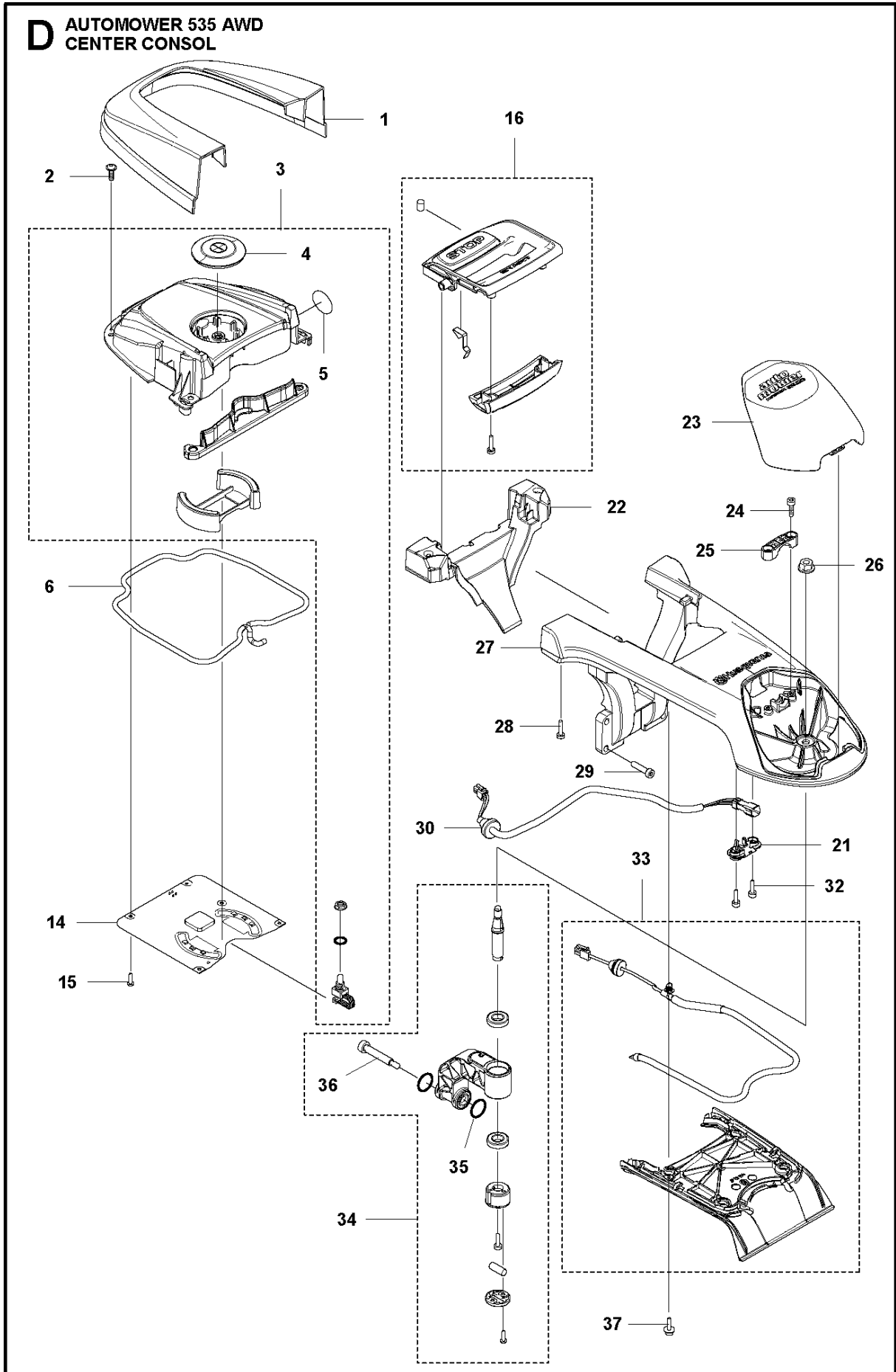


## CHASSIS REAR

AUTOMOWER 535 AWD, 2019-

| Ref | Part No      | Description          | Remark                   | QTY KIT |
|-----|--------------|----------------------|--------------------------|---------|
| 1   | 575 54 33-14 | SCREW                | ITXPANT                  | 17      |
| 2   | 591 48 70-01 | HOLDER               | Grommet                  | 1       |
| 3   | 591 48 42-01 | CHASSIS              | Upper Rear               | 1       |
| 4   | 577 75 37-01 | AIR FILTER           | Air Filter               | 1       |
| 5   | 574 87 47-13 | SEALING STRIP        | Chassis Lower Rear       | 1       |
| 7   | 595 08 29-01 | HOLDER               | Wire Sadle               | 1       |
| 9   | 591 12 55-01 | PRINTED CIRCUIT ASSY | Magnetic Sensor          | 1       |
| 10  | 589 35 08-01 | WIRING ASSY          | Modular Jack             | 1       |
| 11  | 591 49 43-01 | HOLDER               | Magnetic Sensor Board    | 1       |
| 12  | 591 49 42-01 | HOLDER               | PCB Rear                 | 1       |
| 13  | 593 30 94-01 | WIRING ASSY          | Main Cable Rear          | 1       |
| 14  | 591 12 56-01 | PRINTED CIRCUIT ASSY | Motor Controller Board   | 1       |
| 15  | 589 35 08-01 | WIRING ASSY          | Modular Jack             | 1       |
| 16  | 591 12 57-01 | PRINTED CIRCUIT ASSY | Loop Receiver Board Rear | 1       |
| 17  | 594 05 86-01 | JOYSTICK ASSY        | Rear                     | 4       |
| 18  | 591 48 41-02 | CHASSIS              | Lower Rear               | 1       |
| 19  | 594 01 62-01 | COVER                | Battery                  | 1       |
| 21  | 593 24 71-01 | BATTERY              |                          | 1       |
| 22  | 591 20 34-01 | WIRING ASSY          | Battery Charging Adapter | 1       |
| 23  | 591 20 35-01 | WIRING ASSY          | Battery Cable Premium    | 1       |
| 24  | 592 63 58-01 | BRACKET              | Battery                  | 1       |
| 25  | 588 22 22-01 | SCREW ITXPANM        |                          | 8       |

**D** AUTOMOWER 535 AWD  
CENTER CONSOL



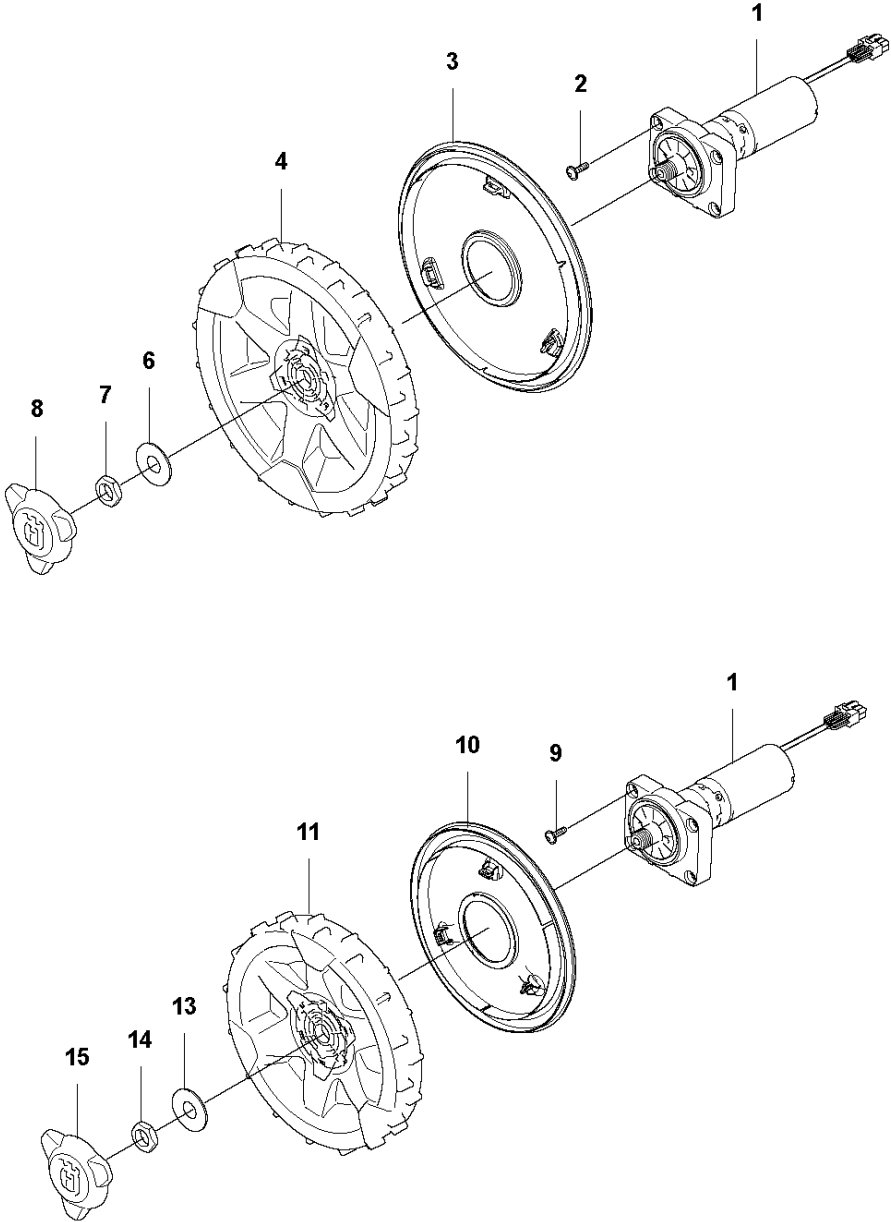


## CENTER CONSOL

AUTOMOWER 535 AWD, 2019-

| Ref | Part No      | Description          | Remark              | QTY KIT |
|-----|--------------|----------------------|---------------------|---------|
| 1   | 592 61 45-01 | LID                  | HMI                 | 2       |
| 2   | 574 45 01-01 | SCREW ITXPANT        | ITXPANT             | 10      |
| 3   | 597 16 22-02 | COVER ASSY           |                     | 1       |
| 4   | 592 61 42-02 | KNOB ASSY            | 5 Serie             | 1       |
| 5   | 576 92 15-01 | AIR FILTER           |                     | 1       |
| 6   | 574 87 47-14 | SEALING STRIP        | Chassis upper front | 1       |
| 14  | 591 10 02-01 | PRINTED CIRCUIT ASSY | Application Board   | 1       |
| 15  | 525 88 74-01 | SCREW CITXPANT       |                     | 6       |
| 16  | 597 16 21-01 | HANDLE KIT           |                     | 1       |
| 21  | 593 35 51-01 | CLAMP                |                     | 1       |
| 22  | 591 35 17-01 | HANDLE SUPPORT       |                     | 1       |
| 23  | 591 48 71-03 | COVER                |                     | 1       |
| 24  | 586 44 49-01 | SCREW ITXSCT         |                     | 2       |
| 25  | 593 35 52-01 | CLAMP                | Main Cable          | 1       |
| 26  | 503 22 04-01 | NUT                  | Washer              | 1       |
| 27  | 590 94 42-01 | LINK ARM             |                     | 1       |
| 28  | 580 29 29-01 | SCREW ITXSCT         |                     | 5       |
| 29  | 544 21 84-03 | SCREW ITXSCM         |                     | 4       |
| 30  | 591 20 32-01 | WIRING ASSY          |                     | 1       |
| 32  | 586 44 49-01 | SCREW ITXSCT         |                     | 2       |
| 33  | 592 94 40-01 | SWITCH               |                     | 1       |
| 34  | 597 16 64-01 | PIVOTING ARM KIT     |                     | 1       |
| 35  | 740 43 13-00 | O-RING               |                     | 2       |
| 36  | 592 62 90-01 | SCREW                |                     | 1       |
| 37  | 525 82 44-01 | SCREW ITXSCM         |                     | 4       |

**E** AUTOMOWER 535 AWD  
WHEELS & TIRES

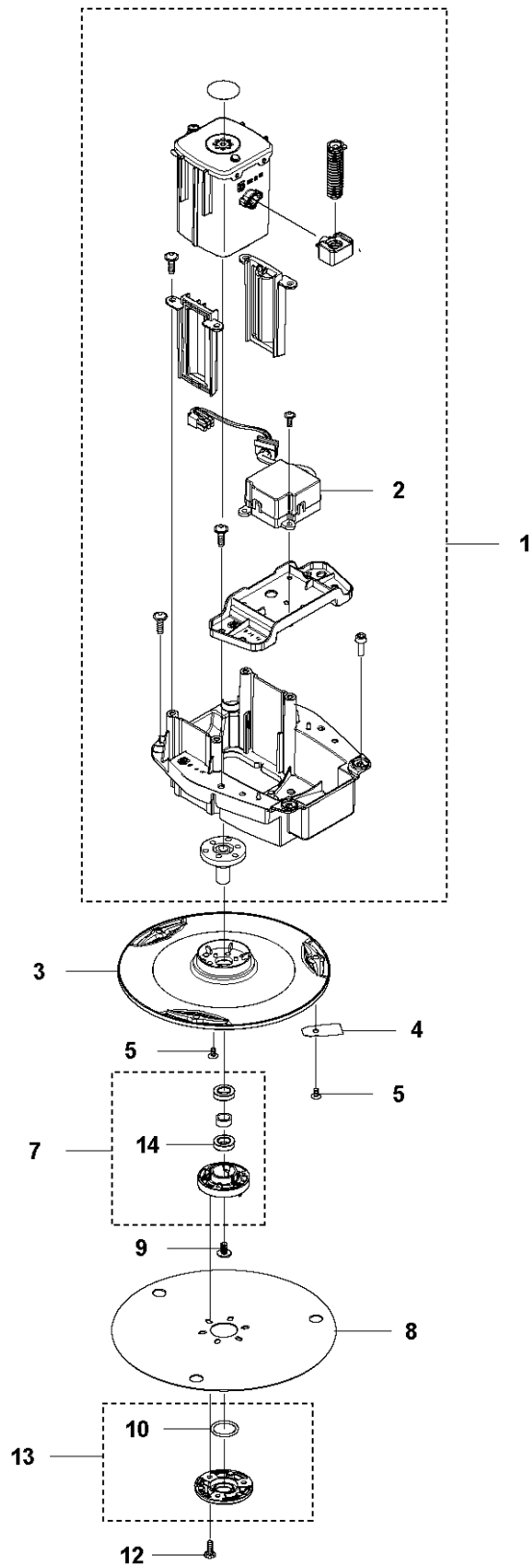


## WHEELS &amp; TIRES

AUTOMOWER 535 AWD, 2019-

| Ref | Part No      | Description      | Remark | QTY KIT |
|-----|--------------|------------------|--------|---------|
| 1   | 581 62 13-04 | MOTOR KIT        |        | 2       |
| 2   | 574 45 01-01 | SCREW ITPANT     |        | 8       |
| 3   | 582 27 60-01 | COVER            |        | 2       |
| 4   | 582 27 25-01 | WHEEL            | Grey   | 2       |
| 6   | 586 21 06-01 | WASHER           |        | 4       |
| 7   | 731 43 24-01 | HEXAGON THIN NUT |        | 4       |
| 8   | 579 50 55-02 | HUB CAP          |        | 2       |
| 9   | 574 45 01-01 | SCREW ITPANT     |        | 8       |
| 10  | 585 06 56-01 | COVER            |        | 2       |
| 11  | 590 21 75-01 | WHEEL            | Grey   | 2       |
| 13  | 586 21 06-01 | WASHER           |        | 4       |
| 14  | 731 43 24-01 | HEXAGON THIN NUT |        | 4       |
| 15  | 579 50 55-02 | HUB CAP          |        | 2       |

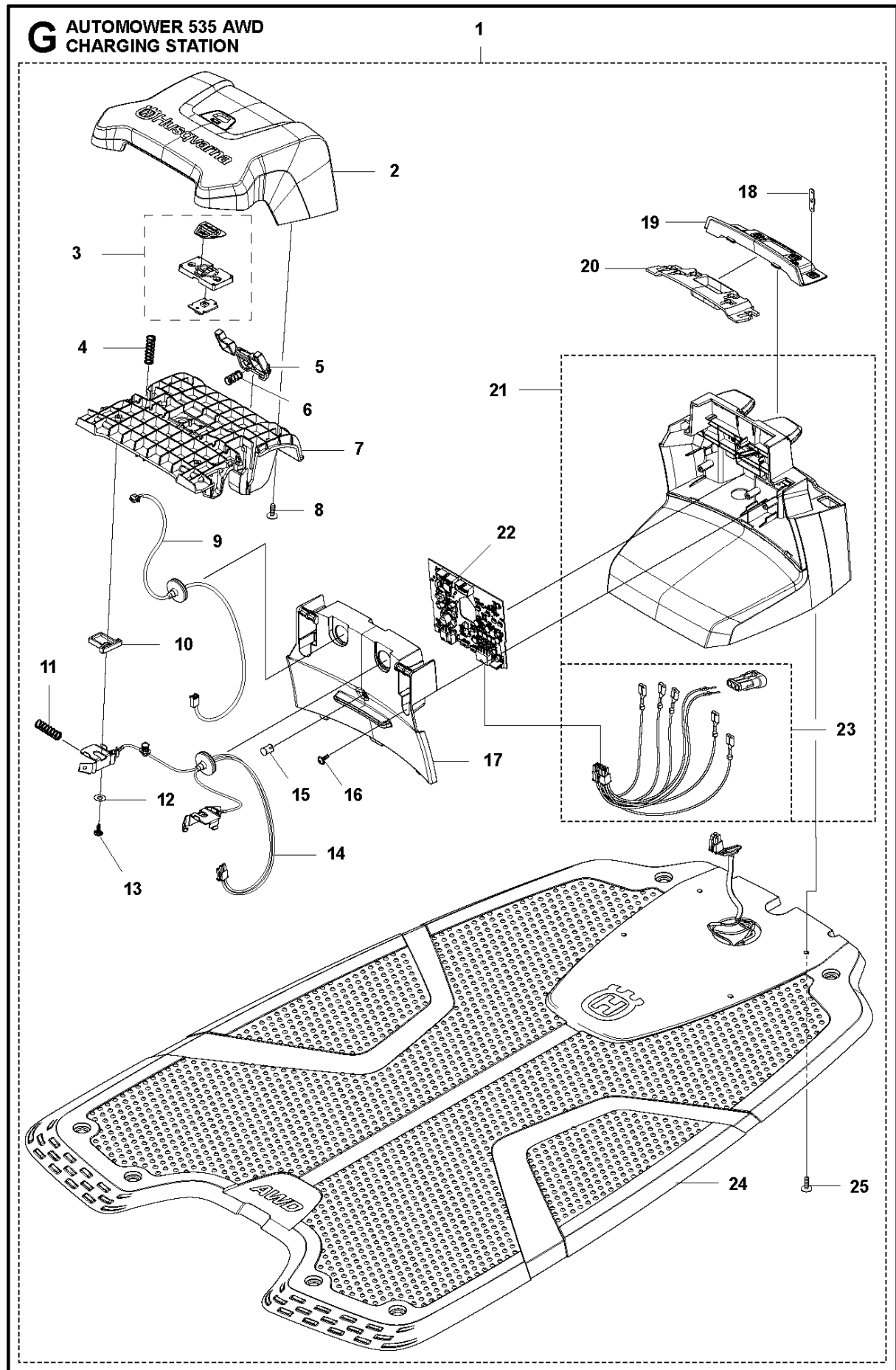
**F** AUTOMOWER 535 AWD  
BLADE MOTOR & CUTTING EQUIPMENT



## BLADE MOTOR &amp; CUTTING EQUIPMENT

AUTOMOWER 535 AWD, 2019-

| Ref | Part No      | Description          | Remark  | QTY KIT |
|-----|--------------|----------------------|---|---------|
| 1   | 592 73 37-01 | CUTTING MODULE       |   | 1       |
| 2   | 592 73 58-01 | MOTOR                |   | 1       |
| 3   | 585 29 69-02 | CUTTING DISC         |   | 2       |
| 4   | 577 86 46-03 | BLADE SET            | Long Life Safety Blade,<br>Blister Pack 9 pcs | 1       |
| 4   | 577 60 65-05 | BLADE SET            | Long Life Safety Blade, 45<br>pcs             | 1       |
| 4   | 577 60 66-04 | BLADE SET            | Long Life Safety Blade,<br>300 pcs            | 1       |
| 4   | 595 08 44-01 | BLADE SET            | Endurance Blade, 6 pcs                        | 1       |
| 4   | 595 08 44-02 | BLADE SET            | Endurance Blade, 45 pcs                       | 1       |
| 4   | 595 08 44-03 | BLADE SET            | Endurance Blade, 300 pcs                      | 1       |
| 5   | 590 50 87-01 | SCREW                |   | 3       |
| 7   | 588 42 17-02 | BEARING HOUSING ASSY |   | 1       |
| 8   | 585 29 70-01 | SKID PLATE           |   | 1       |
| 9   | 535 07 60-01 | SCREW                |   | 1       |
| 10  | 585 29 75-01 | O-RING               |   | 1       |
| 12  | 575 54 33-14 | SCREW                |   | 1       |
| 13  | 587 44 96-01 | COVER KIT            |   | 1       |
| 14  | 535 07 57-03 | BALL BEARING         |   | 2       |
| 14  | 593 08 08-01 | BALL BEARING         | Tube 50 pcs                                   | 2       |

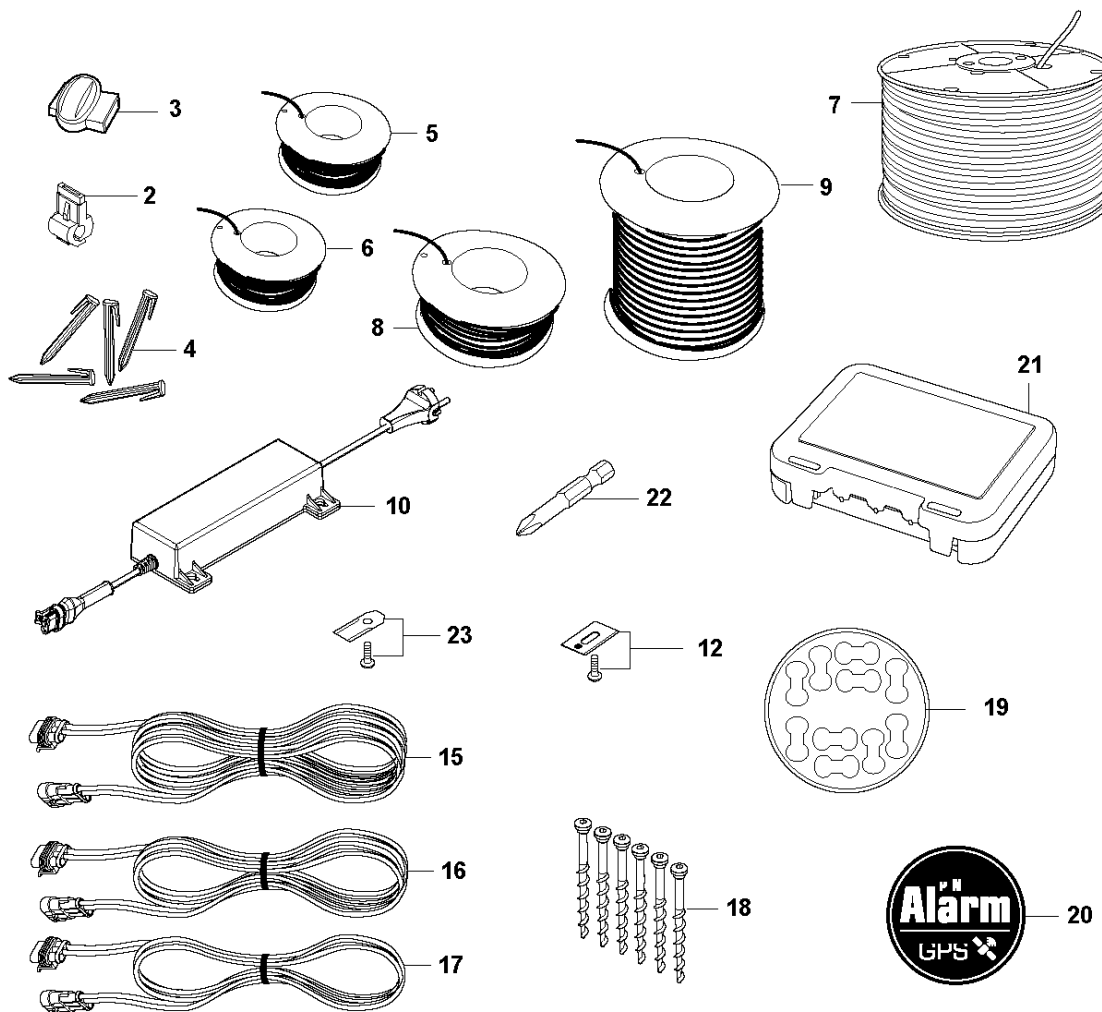
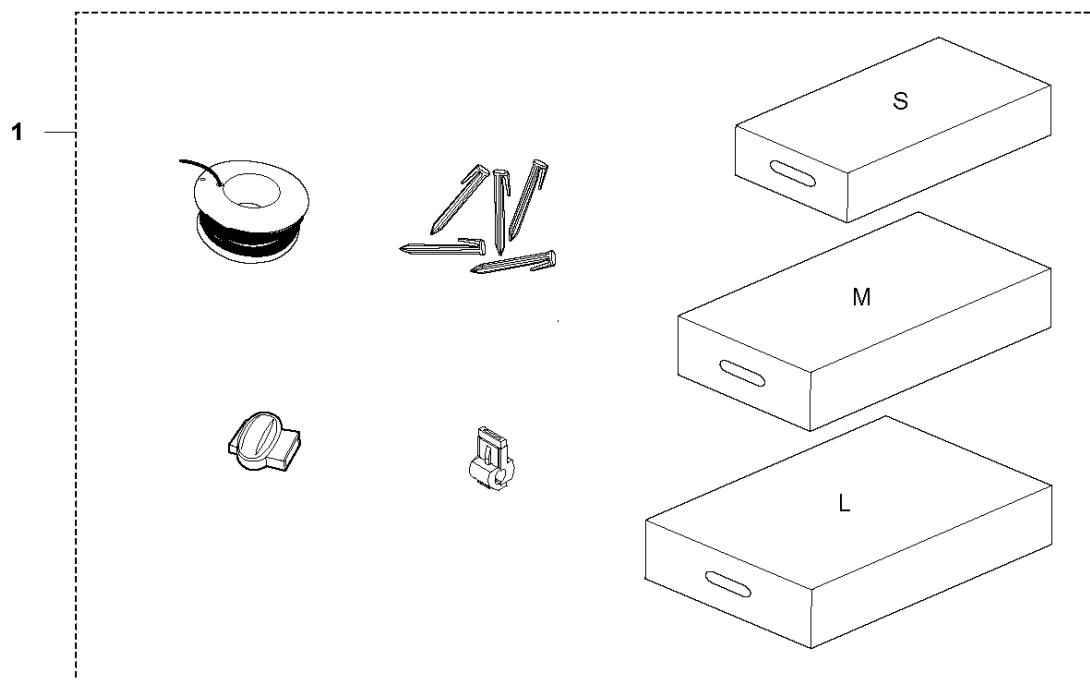


## CHARGING STATION

AUTOMOWER 535 AWD, 2019-

| Ref | Part No      | Description          | Remark                                    | QTY KIT |
|-----|--------------|----------------------|---|---------|
| 1   | 595 31 01-02 | CHARGING STATION     | Universal P25 3 guides<br>with parkbutton | 1       |
| 2   | 579 44 82-03 | CAP                  | Without Park button                       | 1       |
| 2   | 579 44 82-04 | CAP                  | With park button                          | 1       |
| 3   | 501 06 59-01 | BUTTON KIT           | Home Button Kit                           | 1       |
| 4   | 580 51 14-01 | SPRING               |   | 2       |
| 5   | 579 46 24-02 | BUTTON               | Button-Release                            | 1       |
| 6   | 574 48 70-01 | SPRING               |   | 1       |
| 7   | 579 45 80-04 | FRAME                |   | 1       |
| 8   | 575 54 33-14 | SCREW                |   | 12      |
| 9   | 579 70 83-01 | LOOM                 | Home Button Wiring                        | 1       |
| 10  | 579 46 05-01 | DISTANCE             |   | 2       |
| 11  | 580 51 14-01 | SPRING               |   | 2       |
| 12  | 734 11 37-41 | WASHER               |   | 2       |
| 13  | 575 54 33-14 | SCREW                |   | 2       |
| 14  | 585 53 95-02 | CABLE ASSY           | Loom Charging Contact                     | 1       |
| 15  | 590 21 72-01 | LENS                 |   | 1       |
| 16  | 575 54 33-14 | SCREW                |   | 2       |
| 17  | 579 45 97-03 | LID                  | 2 holes                                   | 1       |
| 17  | 579 45 97-04 | LID                  | 1 hole                                    | 1       |
| 18  | 580 50 41-01 | TERMINAL             |   | 5       |
| 19  | 579 45 98-03 | PANEL                |   | 1       |
| 20  | 579 45 99-01 | HOLDER               |   | 1       |
| 21  | 588 18 88-01 | HOUSING ASSY         | Kolla samma P2                            | 1       |
| 22  | 596 32 80-03 | PRINTED CIRCUIT ASSY | PCBA Charging Station                     | 1       |
| 23  | 588 47 89-01 | CABLE KIT            | Wiring CS                                 | 1       |
| 24  | 595 28 36-01 | BASE ASSY            | Charging Plate                            | 1       |
| 25  | 575 54 33-14 | SCREW                |   | 12      |

# H AUTOMOWER 535 AWD INSTALLATION ACCESSORIES



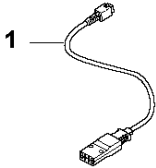


INSTALLATION ACCESSORIES

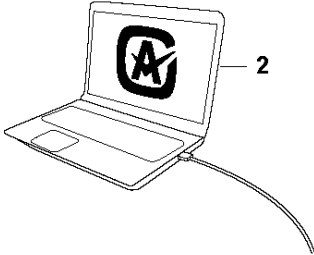
AUTOMOWER 535 AWD, 2019-

| Ref | Part No      | Description      | Remark   | QTY KIT |
|-----|--------------|------------------|--|---------|
| 1   | 967 62 36-01 | INSTALLATION KIT | S Wire 150 m, Staples 300 pc, Connectors 3 pcs, Couplers 5 pcs | 1       |
| 1   | 967 62 36-02 | INSTALLATION KIT | M Wire 250 m, Staples 400 pc, Connectors 3 pcs, Couplers 5 pcs | 1       |
| 1   | 967 62 36-03 | INSTALLATION KIT | S Wire 400 m, Staples 600 pc, Connectors 5 pcs, Couplers 5 pcs | 1       |
| 2   | 535 12 90-01 | CONNECTOR        | Loop Wire Connector  | 1       |
| 2   | 577 86 48-01 | CONNECTOR        | Loop Wire Connector, Blister Pack 5 pcs                        | 1       |
| 2   | 535 12 90-02 | CONNECTOR        | Loop Wire Connector, Blister Pack 100 pcs                      | 1       |
| 3   | 501 98 02-01 | COUPLER          | Coupler  | 1       |
| 3   | 577 86 47-01 | COUPLER          | Coupler, Blister Pack 5 pcs                                    | 1       |
| 3   | 501 98 02-03 | COUPLER          | Coupler, 100 pcs   | 1       |
| 4   | 577 86 42-01 | STAPLE           | Staple Blister Pack 100 pcs                                    | 1       |
| 4   | 583 97 34-01 | STAPLE           | 100 pcs  | 1       |
| 5   | 577 86 43-02 | WIRE             | Wire, Blister Pack 50 m  | 1       |
| 5   | 580 66 20-02 | WIRE             | Wire, 150 m  | 1       |
| 5   | 577 86 43-01 | WIRE             | Wire, Blister Pack 150 m                                       | 1       |
| 6   | 580 66 20-01 | WIRE             | Wire, 250 m  | 1       |
| 7   | 593 29 77-01 | WIRE             | Wire Pro, 300 m  | 1       |
| 8   | 522 91 41-01 | WIRE             | Wire, 500 m, diam 3,4mm  | 1       |
| 9   | 580 66 20-04 | WIRE             | Wire, 800 m  | 1       |
| 10  | 590 44 25-01 | POWER UNIT       | Power Unit EU  | 1       |
| 10  | 590 44 25-02 | POWER UNIT       | Power Unit GB  | 1       |
| 10  | 590 44 25-03 | POWER UNIT       | Power Unit CH  | 1       |
| 12  | 595 08 44-01 | BLADE SET        | Endurance Blade, 6 pcs   | 1       |
| 12  | 595 08 44-02 | BLADE SET        | Endurance Blade, 45 pcs  | 1       |
| 12  | 595 08 44-03 | BLADE SET        | Endurance Blade, 300 pcs                                       | 1       |
| 15  | 588 76 50-04 | CABLE            | Low Voltage Cable, 20 m  | 1       |
| 16  | 588 76 50-05 | CABLE            | Low Voltage Cable, 10 m  | 1       |
| 17  | 588 76 50-06 | CABLE            | Low Voltage Cable, 3 m   | 1       |
| 18  | 575 23 86-01 | SCREW KIT        | 6 pcs  | 1       |
| 18  | 577 86 49-01 | SCREW            | Blister Pack, 3 pcs  | 1       |
| 19  | 586 27 79-01 | STICKER          | Cable Markers, 10 pcs  | 1       |
| 20  | 594 05 48-01 | LABEL            | Label Alarm  | 1       |
| 21  | 590 85 50-01 | BOX              | Cable Connector Protection                                     | 1       |
| 22  | 596 33 98-01 | TOOL             | Bit for Robotic Blades   | 1       |
| 23  | 577 86 46-03 | BLADE SET        | Long Life Safety Blade, Blister Pack 9 pcs                     | 1       |
| 23  | 577 60 65-05 | BLADE SET        | Long Life Safety Blade, 45 pcs                                 | 1       |
| 23  | 577 60 66-04 | BLADE SET        | Long Life Safety Blade, 300 pcs                                | 1       |

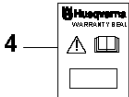
**AUTOMOWER 535 AWD  
ACCESSORIES**



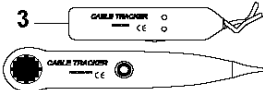
1



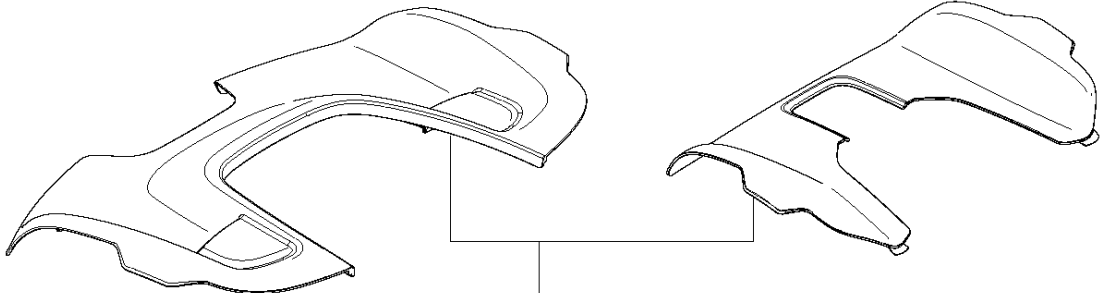
2



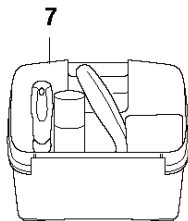
4



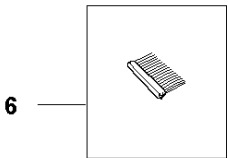
3



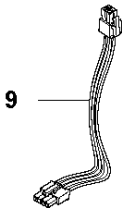
5



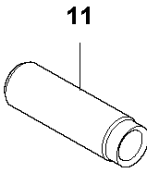
7



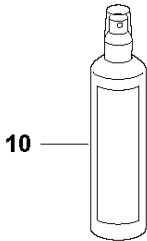
6



9



11



10

## ACCESSORIES

AUTOMOWER 535 AWD, 2019-

| Ref | Part No      | Description    | Remark                              | QTY KIT |
|-----|--------------|----------------|-------------------------------------|---------|
| 1   | 588 20 26-01 | CABLE ASSY     | Cable Quick Charger                 | 1       |
| 3   | 577 60 68-01 | TEST EQUIPMENT | Interruption Detector               | 1       |
| 4   | 580 68 95-02 | LABEL          | Warranty seal                       | 1       |
| 5   | 596 30 02-01 | BODY KIT       | Top Cover Grey                      | 1       |
| 5   | 596 30 02-02 | BODY KIT       | Top Cover Orange                    | 1       |
| 6   | 505 13 28-03 | BRUSH          | 6 pcs                               | 1       |
| 7   | 590 85 51-01 | KIT            | Maintenance and Cleaning Kit        | 1       |
| 9   | 591 20 36-01 | WIRING ASSY    | Battery Cable Robotic Mower L:160mm | 1       |
| 10  | 593 96 79-01 | SPRAY          | Care and Shine 200 ml               | 1       |
| 11  | 502 51 94-01 | MANDREL        | Tool for splitting chassis          | 1       |