

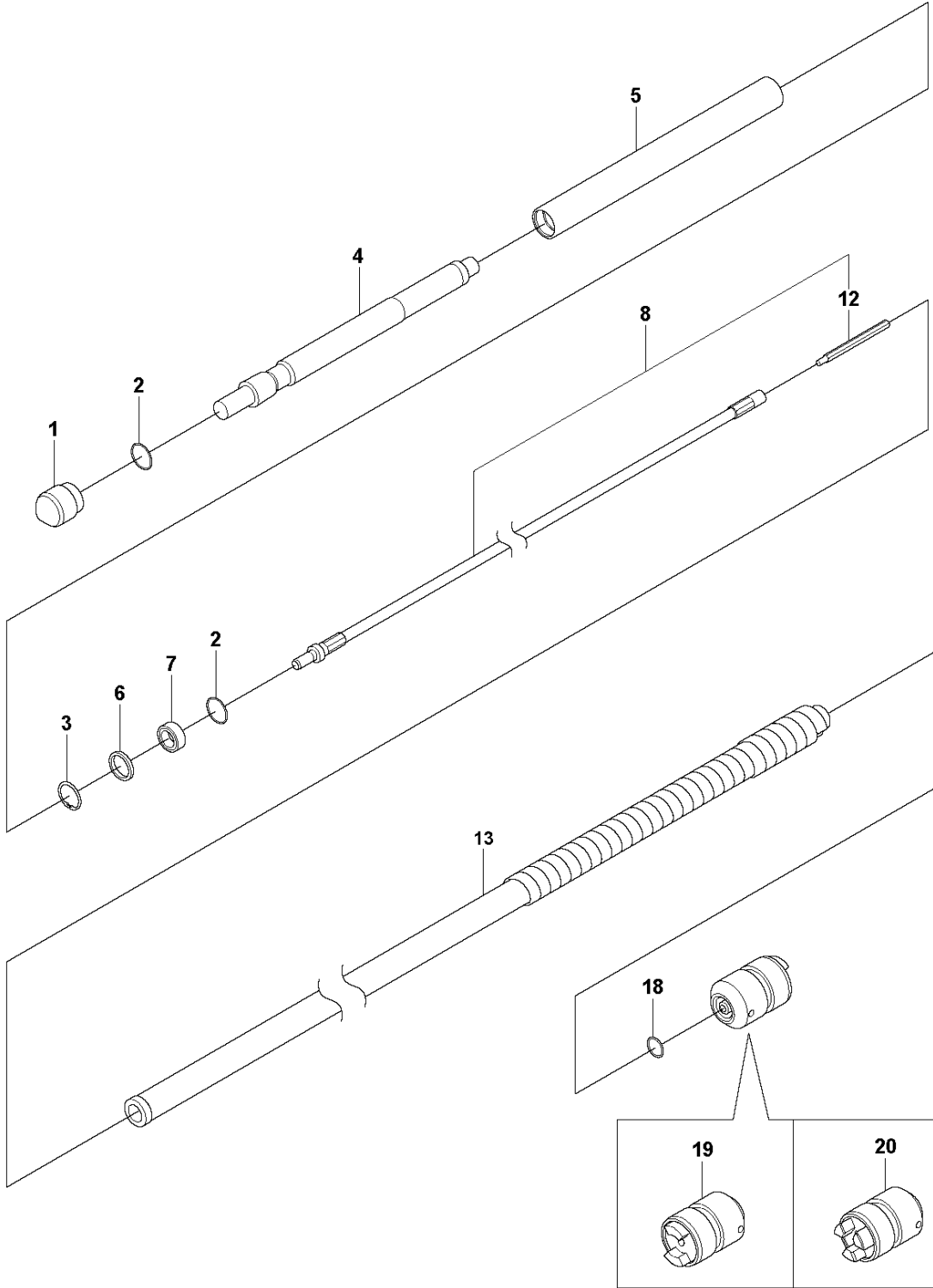


SPARE PARTS LIST

POKERS

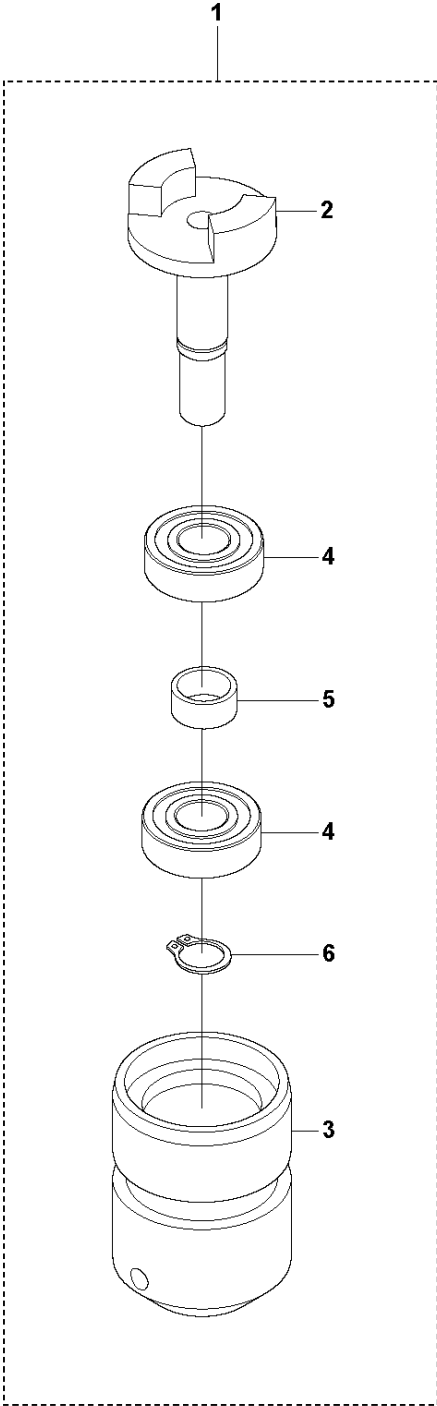
AA 27, 967857301, 967872502, 2019-06

A AA 27
PRODUCT COMPLETE



Ref	Part No	Description	Remark	QTY	KIT
1	594 40 20-01	CAP		1	
2	594 26 76-01	O-RING	14.1x1.6 NBR 70 shore	2	
3	594 78 47-01	RETAINER RING	19x1 DIN472	1	
4	595 16 94-01	SHAFT		1	
5	595 16 93-01	TUBE		1	
6	594 28 26-01	SLEEVE	10x19x7 DIN3760A	1	
7	594 28 48-01	BALL BEARING	126TV	1	
8	595 46 16-01	SHAFT	Flexible shaft, complete	1	
12	594 37 30-01	PIN		1	8
13	594 40 21-01	COVER	Hose, complete	1	
18	594 26 72-01	O-RING	25x2 NBR 70 shore	1	
19	594 37 48-01	COUPLING	Standard coupling	1	
20	594 62 76-01	COUPLING	Australian coupling	1	

B AA 27
STANDARD COUPLING KIT

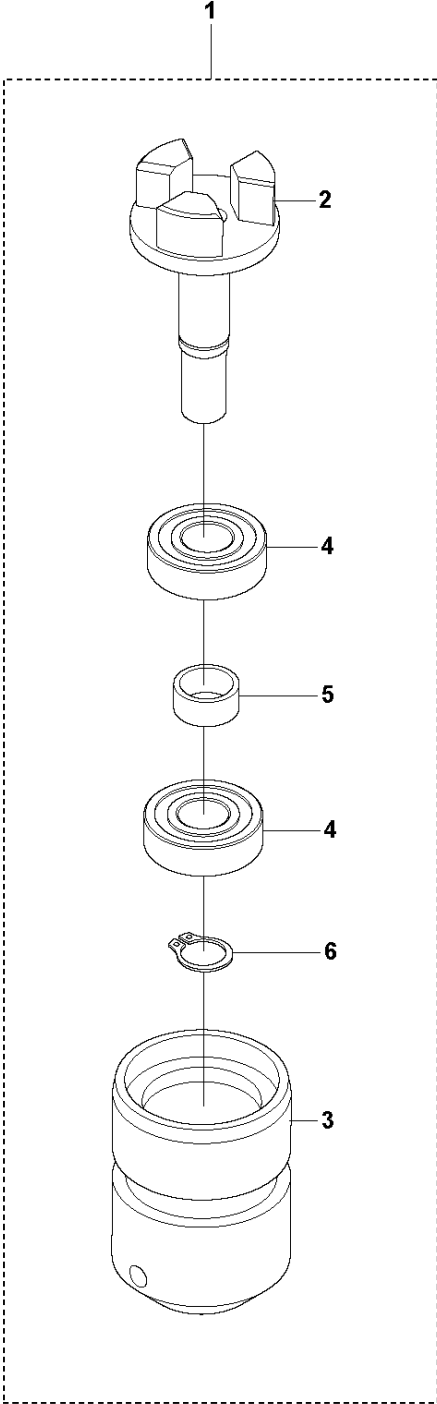


STANDARD COUPLING KIT

AA 27, 967857301, 967872502, 2019-06

Ref	Part No	Description	Remark	QTY KIT	
1	594 37 48-01	COUPLING	Standard coupling	1	
2	594 38 85-01	SHAFT		1	1
3	594 38 86-01	BODY		1	1
4	594 38 87-01	BEARING	6203 2RS1	2	1
5	594 50 24-01	SPACER		1	1
6	595 14 43-01	SNAP RING	D17 x 1 mm DIN471	1	1

C AA 27
AUSTRALIAN COUPLING KIT

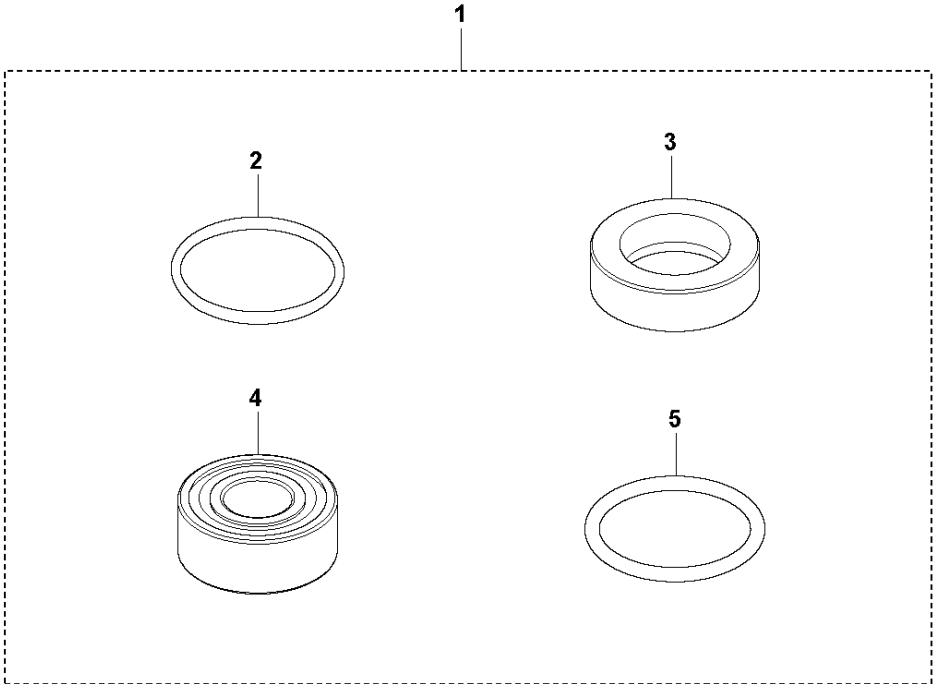


AUSTRALIAN COUPLING KIT

AA 27, 967857301, 967872502, 2019-06

Ref	Part No	Description	Remark	QTY KIT	
1	594 62 76-01	COUPLING	Australian coupling	1	
2	594 86 19-01	SHAFT		1	1
3	595 52 54-01	BODY		1	1
4	594 38 87-01	BEARING	6203 2RS1	2	1
5	594 50 24-01	SPACER		1	1
6	595 14 43-01	SNAP RING	D17 x 1 mm DIN471	1	1

D AA 27
SERVICE KIT



SERVICE KIT

AA 27, 967857301, 967872502, 2019-06

Ref	Part No	Description	Remark	QTY KIT	
1	594 40 46-01	SERVICE KIT		1	
2	594 26 76-01	O-RING	14.1x1.6 NBR 70 shore	2	1
3	594 28 26-01	SLEEVE	10x19x7 DIN3760A	1	1
4	594 28 48-01	BALL BEARING	126TV	1	1
5	594 26 72-01	O-RING		1	1