



 **Husqvarna**[®]

HA200, HA860

EN	Operator's manual	2-11
ES-MX	Manual del usuario	12-22
FR-CA	Manuel d'utilisation	23-32

Contents

Introduction.....	2	Operation.....	7
Safety.....	4	Maintenance.....	9
Assembly.....	7	Technical data.....	11

Introduction

Product description

We have a policy of continuous product development and therefore reserve the right to modify the design and appearance of the products without prior notice.

the accessory chapter in the Operator's Manual of the product.

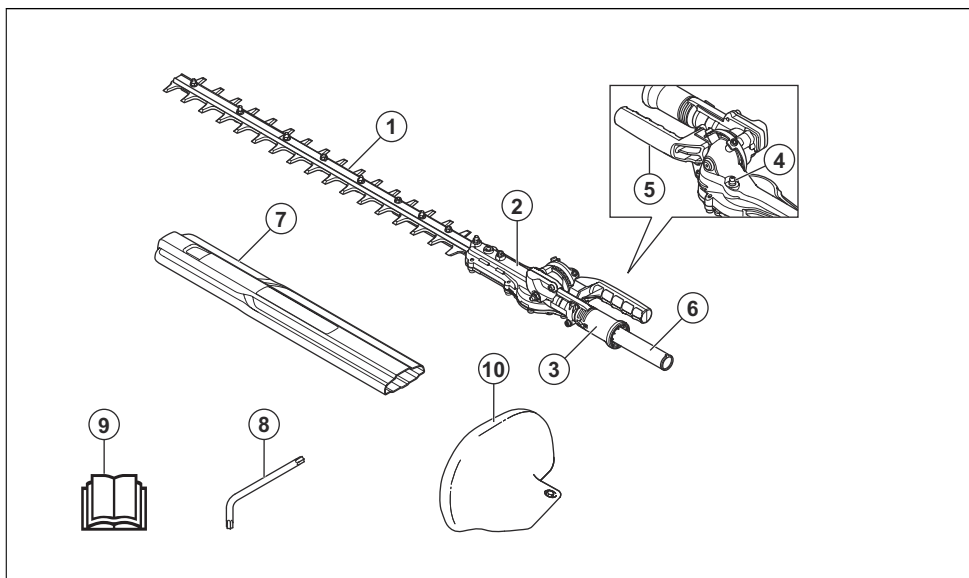
The product is only designed for cutting branches and twigs.

Intended use



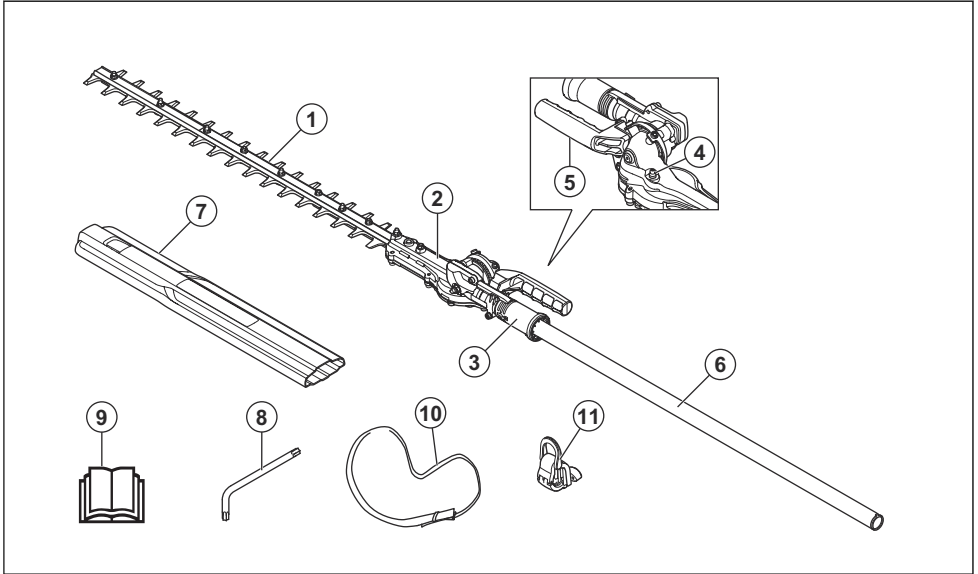
WARNING: This attachment may only be used together with the intended product, see

Attachment overview for HA200




- | | |
|-------------------------------|----------------------|
| 1. Blade | 6. Shaft |
| 2. Gearbox | 7. Transport guard |
| 3. Position adjustment handle | 8. Torx key |
| 4. Grease nipple | 9. Operator's manual |
| 5. Handle | 10. Handguard |


Attachment overview for HA860




- 1. Blade
- 2. Gearbox
- 3. Position adjustment handle
- 4. Grease nipple
- 5. Handle
- 6. Shaft
- 7. Transport guard
- 8. Torx key
- 9. Operator's manual
- 10. Harness
- 11. Harness support hook


hearing protection. Use approved eye protection.


 Stop the product fully before you touch the cutting tool.


 Keep all parts of your body away from the hot surfaces.


 Arrows which show limits for handle position.


Symbols on the product

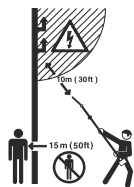
 **WARNING:** Be careful and use the product correctly. This product can cause serious injury or death to the operator or others.

 Read the operator's manual carefully and make sure you understand the instructions before you use this product.

 Use a protective helmet in locations where objects can fall on you. Use approved

 Use approved protective gloves.

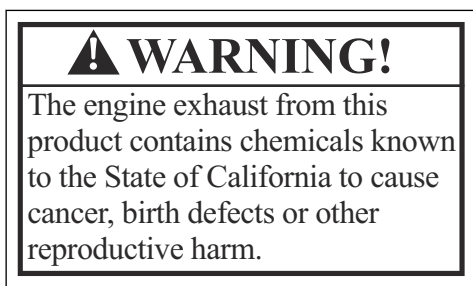
 Use heavy-duty slip-resistant boots.



There is no electrical insulation in this product. If the product touches or comes near high voltage power lines, it can cause serious injury or death to the operator. Electricity can move between different objects by a curve. The higher the voltage, the longer the electricity can move. Electricity can also move through branches and other objects, especially if the object is wet. Always keep a distance at a minimum of 10 m/33 ft between the product and high voltage power lines. Make sure that the power is off before you start the work near the power lines. Keep a distance at a minimum of 15 m/50 ft to other persons or animals during the operation.

Note: Other symbols/decals on the product refer to special certification requirements for certain markets.

California Proposition 65



Safety

Safety definitions

Warnings, cautions and notes are used to point out specially important parts of the manual.



WARNING: Used if there is a risk of injury or death for the operator or bystanders if the instructions in the manual are not obeyed.



CAUTION: Used if there is a risk of damage to the product, other materials or the adjacent area if the instructions in the manual are not obeyed.

Note: Used to give more information that is necessary in a given situation.

Safety instructions for extended reach hedge trimmers

- **Do not use the hedge trimmer in bad weather conditions, especially when there is a risk of lightning.** This decreases the risk of being struck by lightning.
- **To reduce the risk of electrocution, never use the extended-reach hedge trimmer near any electrical power lines.** Contact with or use near power lines

may cause serious injury or electric shock resulting in death.

- **Always use two hands when operating the extended-reach hedge trimmer.** Hold the extended-reach hedge trimmer with both hands to avoid loss of control.
- **Always use head protection when operating the extended-reach hedge trimmer overhead.** Falling debris can result in serious personal injury.

General safety instructions



WARNING: Read all safety warnings and all instructions. Failure to follow the warnings and instructions may result in electric shock, fire and/or serious injury.

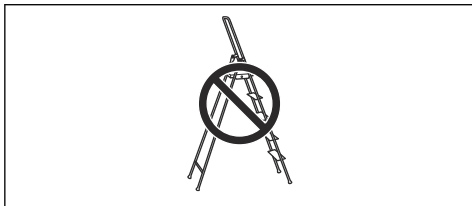
- Please read the operator's manual carefully and make sure you understand the instructions before using the attachment.
- These instructions supplement the instructions that were included with the product. For other procedures, please refer to the operating instructions for the product.
- Under no circumstances may the design of the attachment be modified without the permission of the manufacturer. Do not use an attachment that appears to have been modified by others and always

use original accessories. Non-authorized modifications and/or accessories can result in serious personal injury or the death of the operator or others.

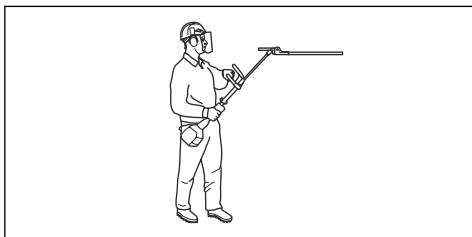
Save all warnings and instructions for future reference

Safety instructions for operation

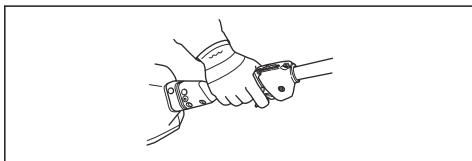
- If you encounter a situation where you are uncertain how to proceed you should ask an expert. Contact your dealer or your service workshop.
- Avoid all usage which you consider to be beyond your capability.
- Cutting tool. Do not touch the tool without first switching off the engine.
- Never allow children to use the product.
- Ensure that no-one comes closer than 15 m while you are working.
- Never allow anyone else to use the product without first ensuring that they have understood the contents of the operator's manual.
- Never work from a ladder, stool or any other raised position that is not fully secured.



- Always ensure you have a safe and stable working position.
- Always use both hands to hold the product. Hold the product at the side of your body.



- Use your right hand to control the throttle setting.



- Make sure that your hands and feet do not come near the cutting attachment when the engine is running.
- When the engine is switched off, keep your hands and feet away from the cutting attachment until it has stopped completely.
- Watch out for stumps of branches that can be thrown out during cutting.
- Always lay the product on the ground when you are not using it.
- Do not cut too close to the ground. Stones and other objects can be thrown out.
- Check the working area for foreign objects such as electricity cables, insects and animals, etc, or other objects that could damage the cutting attachment, such as metal items.
- If any foreign object is hit or if vibrations occur stop the product immediately. Disconnect the spark plug cap from the spark plug. Check that the product is not damaged. Repair any damage.
- If anything jams in the blades while you are working, switch off the engine and wait until it has stopped completely before cleaning the blades. Disconnect the spark plug cap from the spark plug.

Other safety information

- Avoid Dangerous Environment – Don't use appliances in damp or wet locations.
- Don't Use In Rain.
- Keep Children Away – All visitors should be kept at a distance from work area.
- Dress Properly – Do not wear loose clothing or jewelry. They can be caught in moving parts. Use of rubber gloves and substantial footwear is recommended when working outdoors. Wear protective hair covering to contain long hair.
- Use Safety Glasses – Always use face or dust mask if operation is dusty.
- Use Right Appliance – Do not use appliance for any job except that for which it is intended.
- Avoid Unintentional Starting – Don't carry plugged-in appliance with finger on switch. Be sure switch is off when plugging in.
- Don't Force Appliance – It will do the job better and with less likelihood of a risk of injury at the rate for which it was designed.
- Don't Overreach – Keep proper footing and balance at all times.
- Stay Alert – Watch what you are doing. Use common sense. Do not operate appliance when you are tired.
- Store Idle Appliances Indoors – When not in use, appliances should be stored indoors in dry, and high or locked-up place – out of reach of children.
- Maintain Appliance With Care – Keep cutting edge sharp and clean for best performance and to reduce the risk of injury. Follow instructions for lubricating and changing accessories. Keep handles dry, clean, and free from oil and grease.

- Check Damaged Parts – Before further use of the appliance, a guard or other part that is damaged should be carefully checked to determine that it will operate properly and perform its intended function. Check for alignment of moving parts, binding of moving parts, breakage of parts, mounting, and any other condition that may affect its operation. A guard or other part that is damaged should be properly repaired or replaced by an authorized service center unless indicated elsewhere in this manual.

your product fails any of these checks, contact your service agent to get it repaired.



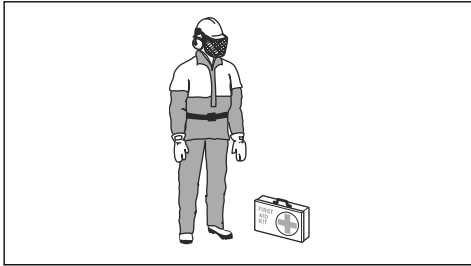
CAUTION: All servicing and repair work on the machine requires special training. This is especially true of the machine's safety equipment. If your machine fails any of the checks described below you must contact your service agent. When you buy any of our products we guarantee the availability of professional repairs and service. If the retailer who sells your machine is not a servicing dealer, ask him for the address of your nearest service agent.

Personal protective equipment



WARNING: Read the warning instructions that follow before you use the product.

- Long-term exposure to noise can result in permanent hearing impairment. Always use approved hearing protection.
- Always wear protective, non-slip boots.



- Always wear working clothes and heavy-duty long trousers.
- Never wear loose clothing or jewellery.
- Make sure your hair does not hang below shoulder level.

Safety devices on the product



WARNING: Read the warning instructions that follow before you use the product.

In this section the product's safety features, its purpose and how checks and maintenance should be carried out to ensure that it operates correctly. See instructions under the heading *Introduction on page 2* to find where these parts are located on your product.

The life span of the product can be reduced and the risk of accidents can increase if product maintenance is not carried out correctly and if service and/or repairs are not carried out professionally. If you need further information please contact your nearest servicing dealer.



WARNING: Never use a product with defective safety components. The product's safety equipment must be inspected and maintained as described in this section. If

To do a check of the blades

1. Stop the engine and make sure that the blades stop.
2. Remove the spark plug cap from the spark plug.
3. Put on protective gloves.
4. Make sure that the blades are not damaged or bent. Always replace a damaged or bent blade.
5. Make sure that the screws to the blades are tight.

To do a check of the bevel gear and gearbox



WARNING: To prevent burn injuries, let the product become cool before you touch the bevel gear and gearbox.

- Do a visual check for damage and deformation.

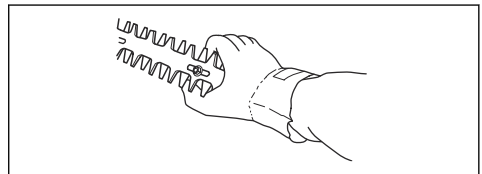
Hot surface

The gearbox becomes hot when the product has been in use. Do not touch the gearbox to prevent injury.

Safety instructions for maintenance

Read the warning instructions that follow before you use the product.

- Always stop the product fully and remove the spark plug cap from the spark plug before you do maintenance on the product. Make sure that the cutting equipment has stopped fully.
- The transport guard must always be attached to the cutting attachment when the product is not in operation.
- Always wear heavy-duty gloves when you do maintenance on the cutting attachment. The cutting attachment is very sharp and can cause injury.

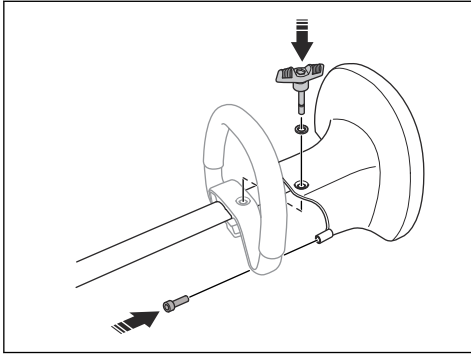


- Keep the product in a locked area to prevent access for children or persons that are not approved.
- Use only original spare parts for repairs.

Assembly

To install the handguard (HA200)

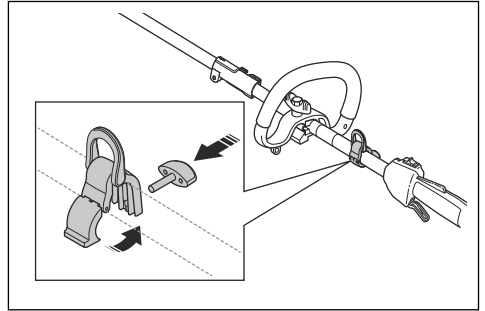
1. Install the handguard with the screw and the knob .



To install the harness support hook (HA860)

1. Remove the screw to release the holder of the harness support hook.

2. Put the harness support hook between the throttle handle and the loop handle.



3. Install the screw to attach the harness support hook.
4. Adjust the position of the harness support hook until the product is balanced and easy to use.

Operation

To do before you operate the product

- Examine the work area and remove loose objects.
- Do a check of the cutting unit. Refer to *To do a check of the blades on page 6*.
- Make sure that the gear housing is correctly lubricated.
- Make sure that the safety devices of the product operates correctly. Do not use the product without all safety devices installed correctly.
- Make sure that all screws and nuts are tight.
- Make sure that all covers are attached correctly and not damaged before you start the product.
- Make sure that the cutting unit stops when the engine is at idle speed.

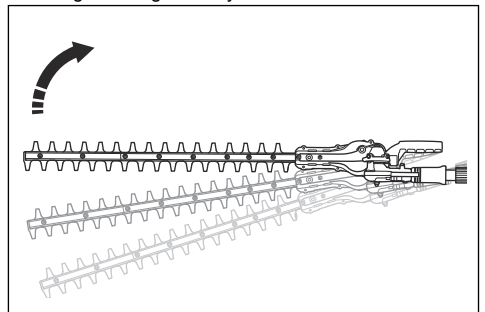
To do a check before start

1. Examine the work area. Remove any objects that could be thrown out.
2. Examine the cutting attachment. Do not use blades that are damaged.
3. Examine that the product is in perfect work order. Examine that all nuts and screws are tight.
4. Make sure the gear housing is lubricated correctly. See *To lubricate the bevel gear and gearbox on page 9* for instructions.

5. Examine that the cutting attachment stops when the throttle/power trigger is released.
6. Only use the product for the purpose it was intended for.
7. Make sure that the handle and safety features are in good working order. Never use a product that lacks a part or has been modified outside its specifications.

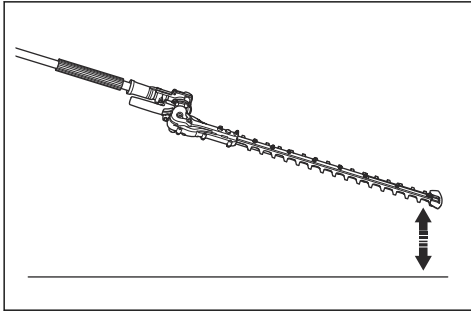
To operate the product

1. Start near the ground and move the product up along the hedge when you cut the sides.



2. Adjust the speed to align with the work load.

3. Make sure that the motor does not touch the hedge.
4. Hold the product near your body for a stable work position.
5. Make sure that the end of the cutting equipment does not touch the ground.



6. Be careful and work slowly until all the branches are correctly cut.

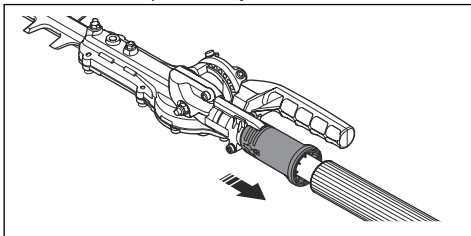
To adjust the angle of the cutting unit

The cutting unit can be adjusted in 10 different positions.



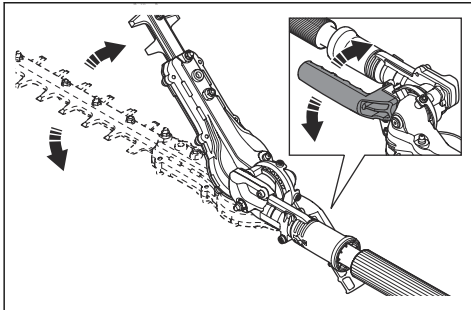
WARNING: Do not operate the cutting unit when you adjust the angle.

1. Let the engine run at idle speed and make sure the cutting unit does not move.
2. Pull down the position adjustment handle.

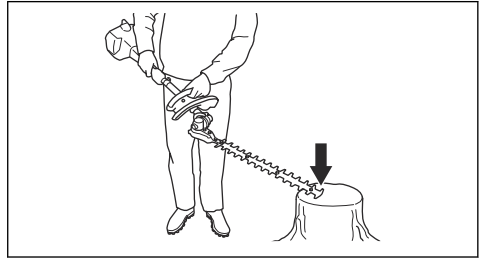


3. Tilt the cutting unit to the correct position. Use 1 of the procedures that follow.

a) Use the handle.



- b) Push the end of the cutting unit against a stable surface.



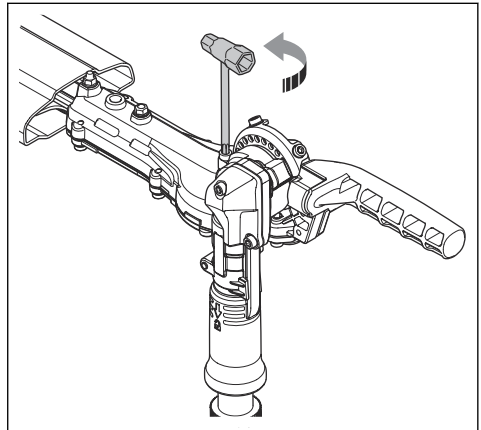
4. Release the position adjustment handle to lock the cutting unit.
5. Push the cutting unit against the hedge to make sure that it is locked.

To adjust the friction for angle adjustment



WARNING: Do not operate the cutting unit when you adjust the friction.

1. Push the stop switch to stop the product.
2. Install the transport guard on the cutting unit.
3. Pull down the position adjustment handle.
4. Tilt the cutting unit to the applicable position.



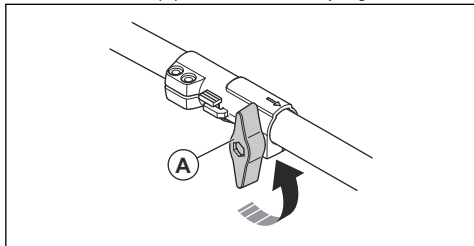
5. Adjust the screw to set the friction.
6. Set the cutting unit in different positions to try the friction.

To disassemble the product for transport

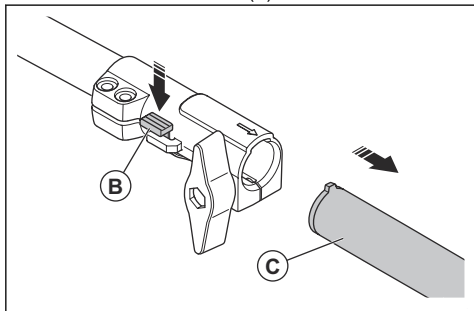


WARNING: Do not start the product when the product is in transport position.

1. Push the stop switch to stop the product.
2. Install the transport guard on the cutting attachment.
3. Turn the knob (A) to loosen the coupling.



4. Push and hold the button (B).



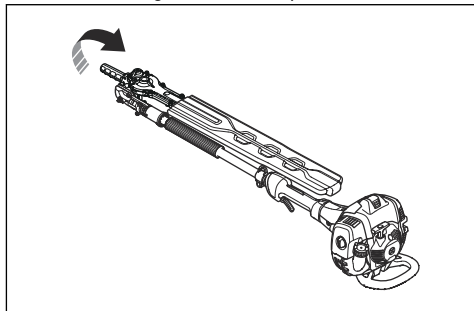
5. Pull the cutting attachment (C) straight out of the coupling.
6. Make sure that the cutting attachment and the product can not move during transportation.

To set the product in transport position



WARNING: Do not start the product when the product is in transport position.

1. Push the stop switch to stop the product.
2. Install the transport guard on the cutting unit.
3. Pull down the position adjustment handle.
4. Fold the cutting unit to make it parallel to the shaft.



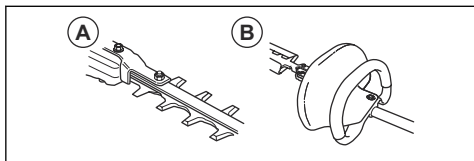
Maintenance

Introduction

Below you will find some general maintenance instructions. If you need further information please contact your service workshop.

To perform maintenance on the attachment

To do daily maintenance



1. Examine that the blades (A) do not move when the throttle/power trigger is released or when the choke is in the start position.
2. Examine that the hand guard (B) (HA200) is not damaged. Replace the guard if necessary.

To do general maintenance

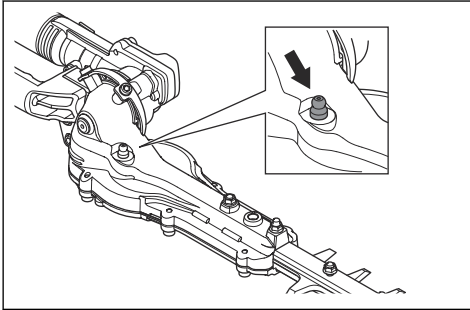
To lubricate the bevel gear and gearbox



WARNING: To prevent burn injuries, let the product become cool before you touch the bevel gear and gearbox.

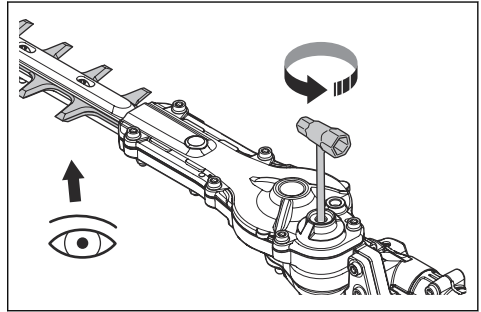
Note: New products are first filled with grease after approximately 20 hours of operation.

- Use Husqvarna special grease. Speak to your servicing dealer for more information.
- Add the grease through the grease nipple.



CAUTION: Do not fill the gearbox fully.

2. Put the combination wrench in the gearbox and turn clockwise and counterclockwise. Make sure that the blades move freely.



3. Examine the edges of the blades for damages and deformation.
4. Use a file to remove burrs on the blades.
5. Install in the opposite sequence.

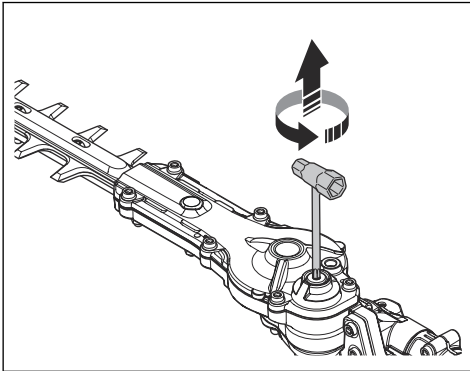
To clean and lubricate the blades

1. Clean the blades from unwanted materials before and after you use the product.
2. Lubricate the blades before long periods of storage.

Note: Speak to your servicing dealer for more information about recommended cleaning agents and lubricants.

To examine the blades

1. Remove the screw from the gearbox.



Technical data

Technical data for gasoline operated product

	HA200	HA860
Weight		
Weight, lbs/kg	5.3/2.4	5.9/2.7
Blades		
Type	Double-sided	Double-sided
Cutting length, inch/mm	23.6/600	23.6/600
Cutting speed, cuts/min	4400	4400

Contenido

Introducción.....	12	Funcionamiento.....	18
Seguridad.....	14	Mantenimiento.....	20
Montaje.....	17	Datos técnicos.....	21

Introducción

Descripción de la máquina

Husqvarna AB tiene una política de desarrollo continuo de productos y, por lo tanto, se reserva el derecho de modificar el diseño y el aspecto de los productos sin previo aviso.

relacionado; consulte el capítulo sobre accesorios en el manual de usuario del producto.

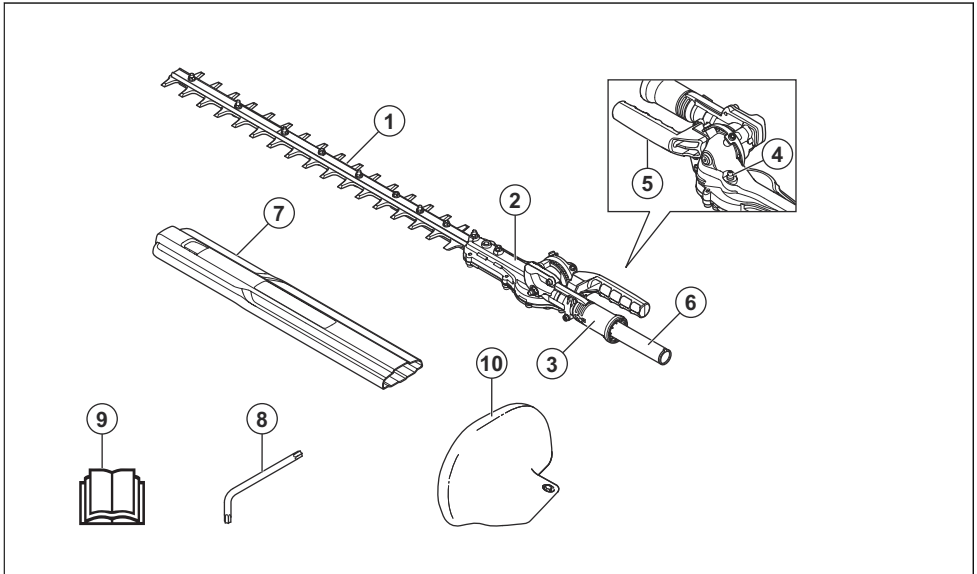
Este producto solo está diseñado para cortar ramas grandes y pequeñas.

Uso específico



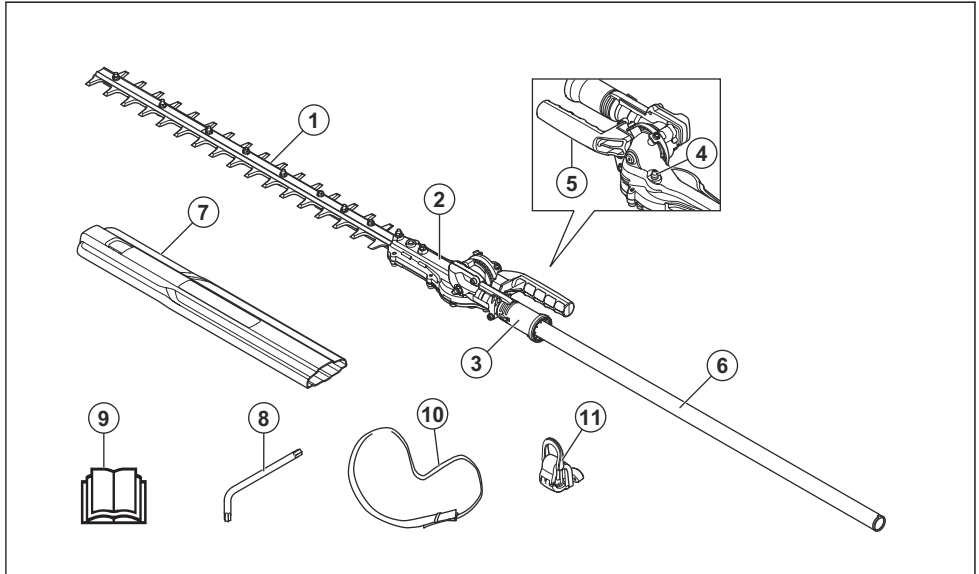
ADVERTENCIA: Este accesorio solo puede utilizarse en conjunto con el producto

Descripción general del accesorio para HA200



- | | |
|--------------------------------|-------------------------------|
| 1. Hoja | 6. Eje |
| 2. Caja de cambios | 7. Protección para transporte |
| 3. Mango de ajuste de posición | 8. Llave Torx |
| 4. Boquilla de engrase | 9. Manual del usuario |
| 5. Manilla | 10. Guardamanos |

Descripción general del accesorio para HA860



1. Hoja
2. Caja de cambios
3. Mango de ajuste de posición
4. Boquilla de engrase
5. Manilla
6. Eje
7. Protección para transporte
8. Llave Torx
9. Manual del usuario
10. Arnés
11. Gancho de sujeción del arnés

protección auricular aprobada. Use protección ocular aprobada.



Detenga el producto completamente antes de tocar la herramienta de corte.



Mantenga todas las partes del cuerpo lejos de las superficies calientes.



Flechas que indican los límites para el posicionamiento del mango.

Símbolos en la máquina



ADVERTENCIA: Tenga cuidado y utilice el producto correctamente. Este producto puede causar daños graves o fatales al operador o a otras personas.



Lea atentamente el manual de instrucciones y asegúrese de que las entiende antes de usar este producto.



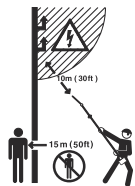
Utilice un casco protector en lugares donde puedan caer objetos sobre usted. Use



Use guantes protectores homologados.



Use botas antideslizantes de servicio pesado.



Este producto no cuenta con un aislamiento eléctrico. Si el producto entra en contacto con el tendido eléctrico de alta tensión o se acerca a él, puede provocar lesiones graves o fatales al operador. La electricidad puede conducirse entre distintos objetos por una curva. A mayor voltaje, mayor es la distancia a la que la electricidad puede conducirse. La electricidad también puede conducirse a través de ramas y otros objetos, especialmente si están húmedos. Mantenga siempre una distancia mínima de 10 m (33 pies) entre el producto y el tendido eléctrico de alta tensión. Asegúrese de que la alimentación está apagada antes de iniciar el trabajo cerca de las líneas de alimentación. Mantenga una distancia mínima de 15 m/50' respecto a las personas o animales a su alrededor durante la operación.

Tenga en cuenta: Otros símbolos o etiquetas en el producto hacen referencia a requisitos de certificación especiales para ciertos mercados.

Propuesta 65

!ADVERTENCIA!

Los gases de escape del motor de este producto contienen sustancias químicas conocidas en el Estado de California como causantes de cáncer, defectos congénitos y otros daños reproductivos.

Seguridad

Definiciones de seguridad

Las advertencias, precauciones y notas se utilizan para señalar las piezas particularmente importantes del manual.



ADVERTENCIA: Se utilizan para señalar el riesgo de lesiones graves o mortales para el operador o para aquellos que se encuentren cerca si no se siguen las instrucciones del manual.



AVISO: Se utilizan para señalar el riesgo de dañar la máquina, otros materiales o el área adyacente si no se siguen las instrucciones del manual.

Tenga en cuenta: Se utilizan para entregar más información necesaria en situaciones particulares.

Instrucciones de seguridad para cortasetos de alcance extendido

- **No utilice el cortasetos en condiciones meteorológicas adversas, especialmente, cuando**

haya un pronóstico de tormentas eléctricas. Esto disminuye el riesgo de ser alcanzado por un rayo.

- **Para reducir el riesgo de electrocución, nunca utilice el cortasetos de alcance extendido cerca del tendido eléctrico.** El contacto con o cerca de las líneas de alta tensión puede provocar daños graves o sacudidas eléctricas fatales.
- **Siempre utilice ambas manos cuando opere el cortasetos de alcance extendido.** Sostenga el cortasetos de alcance extendido con ambas manos para evitar una pérdida de control.
- **Siempre utilice una protección para la cabeza y el rostro cuando opere el cortasetos de alcance extendido sobre la cabeza.** La caída de residuos puede provocar daños personales.

Instrucciones generales de seguridad



ADVERTENCIA: Lea todas las advertencias de seguridad y todas las instrucciones. En caso de no seguir las advertencias ni las instrucciones se pueden producir sacudidas eléctricas, incendios o daños graves.

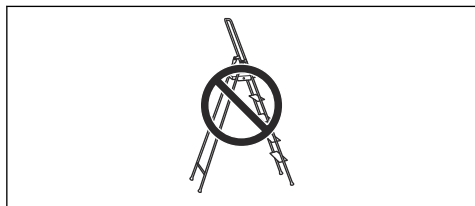
- Lea cuidadosamente el manual de usuario y asegúrese de que entiende las instrucciones antes de utilizar el accesorio.

- Estas instrucciones son un complemento de las instrucciones que se incluyen con el producto. Para otros procedimientos, consulte las instrucciones de operación del producto.
- Bajo ninguna circunstancia podrá modificar el diseño del accesorio sin el permiso del fabricante. No utilice un accesorio que parezca haber sido modificado por otras personas y utilice siempre los accesorios originales. Las modificaciones o accesorios no autorizados pueden provocar daños personales o la muerte del operador u otras personas.

Guarde todas las advertencias e instrucciones para futuras referencias

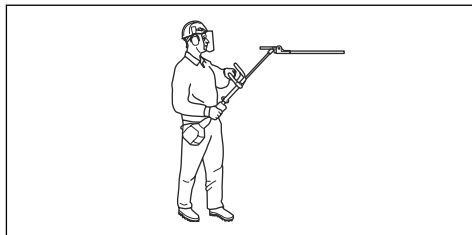
Instrucciones de seguridad para el funcionamiento

- Si se encuentra en una situación en la que no está seguro de cómo proceder, debe preguntarle a un experto. Póngase en contacto con el distribuidor o el taller de servicio.
- Evite todos los usos que considere que están más allá de su capacidad.
- Herramienta de corte. No toque la herramienta sin antes apagar el motor.
- Nunca permita que los niños utilicen este producto.
- Asegúrese de que nadie se acerque a menos de 15 m mientras trabaja.
- Nunca permita que otras personas utilicen el producto sin asegurarse primero de que hayan comprendido el contenido del manual del usuario.
- No trabaje nunca desde una escalera, taburete ni ninguna otra posición elevada que no cumpla a cabalidad con las normas de seguridad.

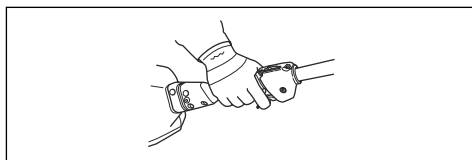


- Asegúrese siempre de tener una posición de trabajo segura y firme.

- Utilice siempre las dos manos para sostener el producto. Mantenga el producto al lado derecho de su cuerpo.



- Utilice la mano derecha para manejar el ajuste del acelerador.



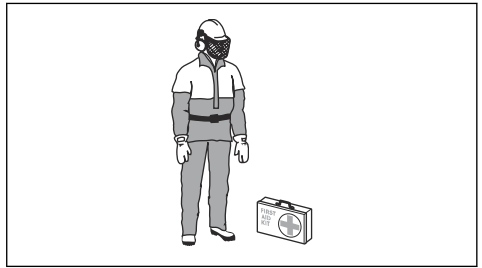
- Asegúrese de que las manos y los pies no se acerquen al equipo de corte cuando el motor esté funcionando.
- Cuando apague el motor, mantenga las manos y los pies alejados del equipo de corte hasta que se haya detenido completamente.
- Tenga cuidado con los trozos de ramas que puedan salir eyectados durante el corte.
- Apoye siempre el producto en el suelo cuando no lo esté utilizando.
- No corte demasiado cerca del suelo. Las piedras y otros objetos pueden salir eyectados.
- Revise la zona de trabajo en búsqueda de objetos extraños como cables de electricidad, insectos y animales, etc., u otros objetos que pudieran dañar el equipo de corte, como elementos de metal.
- Si se golpea algún objeto extraño o si se producen vibraciones, detenga la máquina de inmediato. Desconecte el sombrerete de bujía de la bujía. Compruebe que el producto no esté dañado. Repare cualquier daño.
- Si algo se atasca en las cuchillas mientras trabaja, apague el motor y espere hasta que se haya detenido por completo antes de limpiar las cuchillas. Desconecte el sombrerete de bujía de la bujía.

Otra información de seguridad

- Evite las zonas peligrosas: no utilice los aparatos en lugares húmedos o mojados.
- No los utilice bajo la lluvia.
- Mantenga a los niños alejados: se debe mantener alejados a todos los visitantes de la zona de trabajo.
- Utilice la indumentaria adecuada: no use ropa suelta ni joyas. Pueden quedarse atrapadas en las piezas móviles. Se recomienda el uso de guantes de goma

- y calzado resistente cuando se trabaja en exteriores. Use un gorro protector para contener el pelo largo.
- Uso de antiparras: utilice siempre protección facial o máscara contra polvo si la operación genera polvo.
- Utilice el aparato de forma adecuada: no utilice el aparato para ningún trabajo que no sea el previsto.
- Evite los arranques accidentales: no transporte el aparato conectado con el dedo sobre el interruptor. Asegúrese de que el interruptor esté apagado antes de conectarlo.
- No fuerce el aparato: obtendrá mejores resultados y menos probabilidades de sufrir lesiones si lo utiliza a la velocidad para la que fue diseñado.
- No se estire demasiado: mantenga una posición y un equilibrio adecuados en todo momento.
- Manténgase alerta: observe lo que hace. Utilice el sentido común. No utilice el aparato si está cansado.
- Almacene los aparatos inactivos en espacios cerrados: cuando no se utilicen, los aparatos se deben almacenar en espacios cerrados, secos, altos o con llave, fuera del alcance de los niños.
- Manipule el aparato con cuidado: mantenga afilado y limpio el borde cortante para obtener un mejor rendimiento y reducir el riesgo de lesiones. Siga las instrucciones de lubricación y cambio de accesorios. Mantenga los mangos secos, limpios y sin grasa ni aceite.
- Revise las piezas dañadas: antes de volver a utilizar el aparato, se debe revisar minuciosamente una protección u otra pieza que presente daños para determinar si funciona correctamente y si sirve para su función prevista. Revise la alineación de las piezas móviles, las uniones de piezas móviles, la rotura de piezas, el montaje y cualquier otra condición que pueda afectar su funcionamiento. Un centro de servicio autorizado debe reparar adecuadamente o reemplazar una protección u otra pieza que presente daños, a menos que en este manual se indique otro lugar.

- Use siempre botas de protección antideslizantes.



- Use siempre ropa de trabajo y pantalones largos para trabajo pesado.
- Nunca use ropa suelta ni joyas.
- Asegúrese de que su cabello no esté suelto por debajo de los hombros.

Dispositivos de seguridad en el producto



ADVERTENCIA: Lea atentamente las instrucciones de advertencia siguientes antes de usar el producto.

En esta sección se describen las características de seguridad del producto y su propósito, y cómo deben llevarse a cabo las comprobaciones y el mantenimiento para asegurarse de que funciona correctamente. Consulte las instrucciones bajo el título *Introducción en la página 12* para ver dónde están situados estos componentes en el producto.

La vida útil del producto se puede reducir y el riesgo de accidentes puede aumentar si el mantenimiento del producto no se realiza correctamente y si el servicio o las reparaciones no se llevan a cabo de forma profesional. Si necesita más información, comuníquese con su taller de servicio más cercano.



ADVERTENCIA: No utilice nunca un producto con componentes de seguridad defectuosos. El equipo de seguridad del producto se debe inspeccionar y mantener tal como se describe en esta sección. Si el producto no pasa exitosamente alguna de estas comprobaciones, póngase en contacto con el taller de servicio para que lo reparen.



AVISO: Todos los trabajos de servicio y reparación de la máquina requieren una formación especial. Esto aplica especialmente al equipo de seguridad. Si la máquina no pasa exitosamente alguna de las comprobaciones indicadas a continuación, póngase en contacto con el taller de servicio. La compra de alguno de nuestros productos le garantiza la disponibilidad de mantenimiento y servicio profesionales. Si el comerciante que vende

Equipo de protección personal



ADVERTENCIA: Lea atentamente las instrucciones de advertencia siguientes antes de usar el producto.

- La exposición prolongada al ruido puede causar la pérdida permanente de la audición. Use siempre protectores auriculares aprobados.

la máquina no es un concesionario de servicio, pídala la dirección del taller de servicio más cercano.

Para comprobar las cuchillas

1. Detenga el motor y asegúrese de que las hojas se detengan.
2. Quite el sombrerete de bujía de la bujía.
3. Utilice guantes protectores.
4. Asegúrese de que las cuchillas no estén dañadas o dobladas. Siempre reemplace una hoja doblada o dañada.
5. Asegúrese de que los tornillos de las hojas estén apretados.

Para realizar una comprobación del engranaje angulado y de la caja de cambios



ADVERTENCIA: Para evitar quemaduras, deje que el producto se enfríe antes de tocar el engranaje angulado y la caja de cambios.

- Realice una comprobación visual para determinar si hay daños y deformaciones.

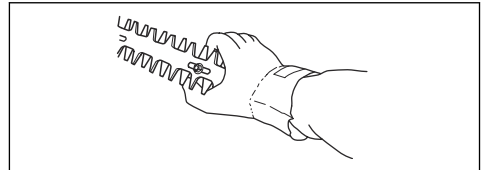
Superficie caliente

La caja de cambios se calienta cuando se utiliza el producto. No toque la caja de cambios para evitar lesiones.

Instrucciones de seguridad para el mantenimiento

Lea atentamente las instrucciones de advertencia siguientes antes de usar el producto.

- Siempre detenga el producto completamente y retire el sombrerete de la bujía antes de realizar el mantenimiento del producto. Asegúrese de que el equipo de corte se detenga por completo.
- La protección para transportes siempre debe estar instalada en el equipo de corte cuando el producto no esté en uso.
- Siempre utilice guantes para trabajo pesado cuando realice el mantenimiento del equipo de corte. El equipo de corte es muy afilado y puede provocar lesiones.

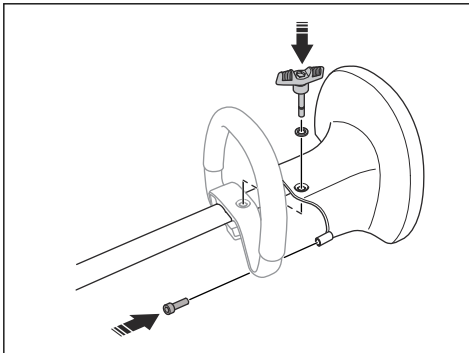


- Mantenga el producto en un área cerrada para evitar que los niños u otras personas sin autorización puedan acceder a él.
- Utilice únicamente piezas de repuesto originales para las reparaciones.

Montaje

Para instalar el guardamanos (HA200)

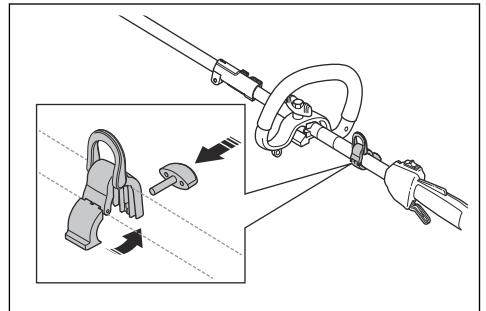
1. Instale el guardamanos con el tornillo y la perilla.



Para instalar el gancho de sujeción del arnés (HA860)

1. Retire el tornillo para liberar el soporte del gancho de sujeción del arnés.

2. Coloque el gancho de sujeción del arnés entre el acelerador y el mango cerrado.



3. Instale el tornillo para fijar el gancho de sujeción del arnés.
4. Ajuste la posición del gancho de sujeción del arnés hasta que el producto esté equilibrado y sea fácil de usar.

Funcionamiento

Haga lo siguiente antes de usar el producto

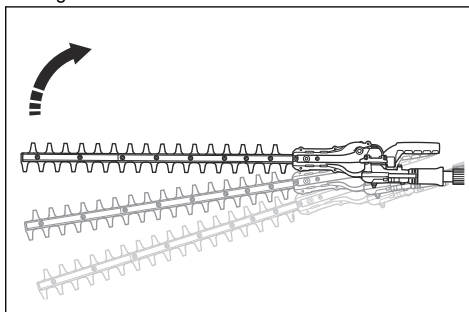
- Examine el área de trabajo y retire los objetos sueltos.
- Revise la unidad de corte. Consulte *Para comprobar las cuchillas en la página 17*.
- Asegúrese de que la caja de engranajes esté correctamente lubricada.
- Asegúrese de que los dispositivos de seguridad del producto funcionen correctamente. No utilice el producto sin antes instalar correctamente todos los dispositivos de seguridad.
- Asegúrese de que todas las tuercas y los tornillos estén apretados.
- Asegúrese de que todas las cubiertas estén instaladas correctamente y que no estén dañadas antes de arrancar el producto.
- Asegúrese de que el equipo de corte se detenga cuando el motor se encuentre en régimen de ralentí.

Para llevar a cabo una revisión antes de comenzar

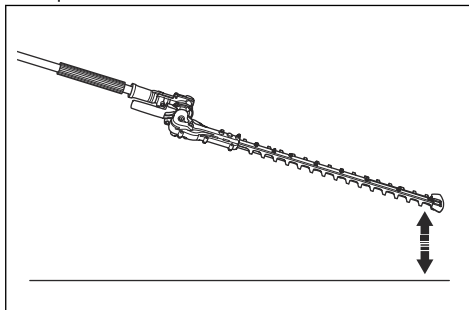
1. Inspeccione la zona de trabajo. Retire todos los objetos que puedan salir eyectados.
2. Inspeccione el equipo de corte. No utilice cuchillas dañadas.
3. Revise que el producto se encuentre en perfectas condiciones de funcionamiento. Verifique que todas las tuercas y tornillos estén apretados.
4. Asegúrese de que la caja de engranajes esté correctamente lubricada. Consulte *Para lubricar el engranaje angulado y la caja de cambios en la página 20* para obtener instrucciones.
5. Compruebe que el equipo de corte se detenga cuando se suelte el gatillo de aceleración/ alimentación.
6. Utilice el producto únicamente para el uso al que está destinado.
7. Asegúrese de que las funciones de seguridad y manipulación estén en buen estado de funcionamiento. No utilice nunca un producto al que le falte una pieza o que haya sido modificado respecto a las especificaciones.

Para hacer funcionar el producto

1. Arránquelo cerca del suelo y mueva el producto a lo largo del seto cuando corte en los costados.



2. Ajuste la velocidad para ajustarla con la carga de trabajo.
3. Asegúrese de que el motor no toque el seto.
4. Mantenga el producto cerca de usted para lograr una posición de trabajo estable.
5. Asegúrese de que el extremo del equipo de corte no toque el suelo.



6. Tenga cuidado y trabaje lentamente hasta que se corten correctamente todas las ramas.

Para ajustar el ángulo de la unidad de corte

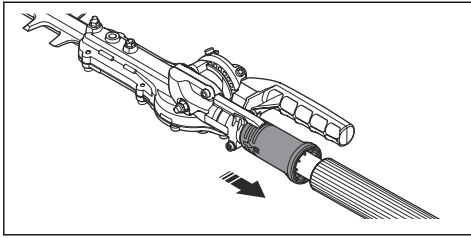
La unidad de corte se puede ajustar en 10 posiciones diferentes.



ADVERTENCIA: No opere la unidad de corte durante el ajuste del ángulo.

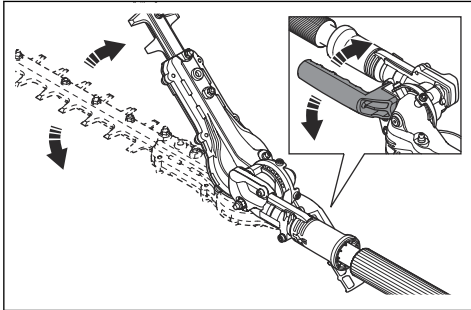
1. Deje que el motor funcione a régimen de ralentí y asegúrese de que la unidad de corte no se mueva.

2. Tire la palanca de ajuste de posición hacia abajo.

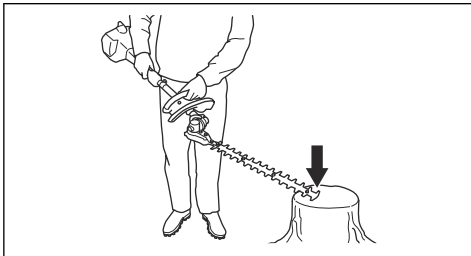


3. Incline la unidad de corte a la posición correcta. Realice uno de los siguientes pasos:

- a) Utilice la manija.



- b) Empuje el extremo de la unidad de corte contra una superficie estable.



4. Suelte la manija de ajuste de posición para bloquear la unidad de corte.
5. Empuje la unidad de corte contra los setos para asegurarse de que está bloqueada.

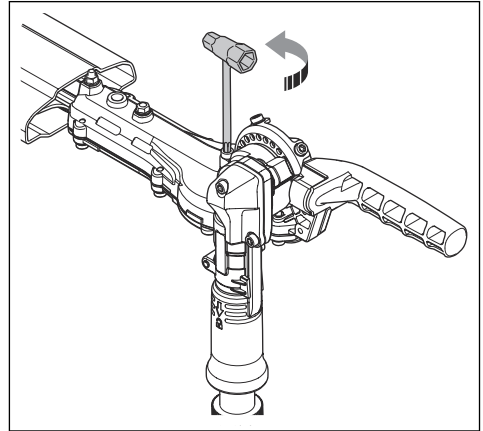
Para ajustar la fricción durante el ajuste del ángulo



ADVERTENCIA: No opere la unidad de corte mientras realiza el ajuste de la fricción.

1. Presione el interruptor de detención para detener el equipo.
2. Instale la protección para transportes en la unidad de corte.
3. Tire la palanca de ajuste de posición hacia abajo.

4. Incline la unidad de corte hasta la posición correspondiente.



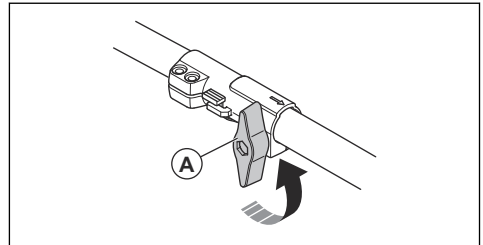
5. Ajuste el tornillo para establecer la fricción.
6. Ajuste la unidad de corte en diferentes posiciones para probar la fricción.

Para desarmar el producto para el transporte

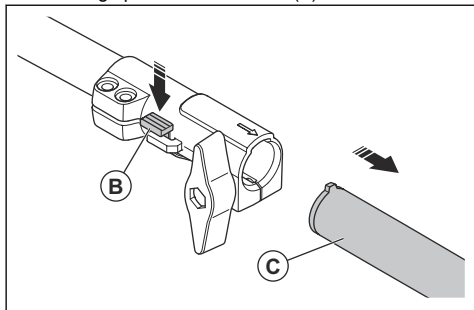


ADVERTENCIA: No arranque el producto cuando esté en la posición de transporte.

1. Presione el interruptor de detención para detener el equipo.
2. Instale la protección para transportes en el equipo de corte.
3. Gire la perilla (A) para aflojar el acoplamiento.



- Mantenga presionado el botón (B).



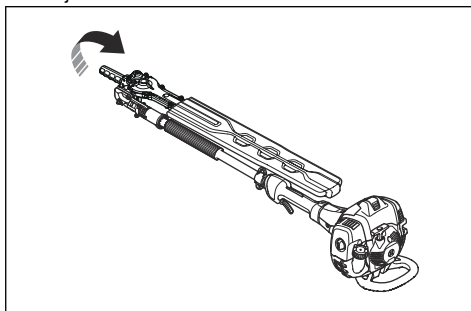
- Tire del equipo de corte (C) directamente del acoplamiento.
- Asegúrese de que el equipo de corte y el producto no se muevan durante el transporte.

Para poner el producto en posición de transporte



ADVERTENCIA: No arranque el producto cuando esté en la posición de transporte.

- Presione el interruptor de detención para detener el equipo.
- Instale la protección para transportes en la unidad de corte.
- Tire la palanca de ajuste de posición hacia abajo.
- Pliegue la unidad de corte para que quede paralela al eje.



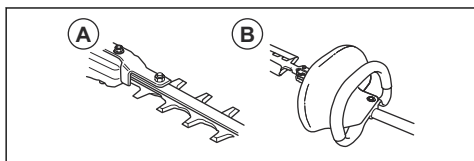
Mantenimiento

Introducción

A continuación encontrará algunas instrucciones generales de mantenimiento. Si necesita más información, comuníquese con su taller de servicio.

Para realizar el mantenimiento del accesorio

Para llevar a cabo un mantenimiento diario



- Revise que las cuchillas (A) no se muevan cuando se suelte el gatillo de aceleración/alimentación o cuando el estrangulador esté en la posición de arranque.
- Revise que la protección para la mano (B) (HA200) no esté dañada. Reemplace la protección si es necesario.

Para realizar el mantenimiento general

Para lubricar el engranaje angulado y la caja de cambios

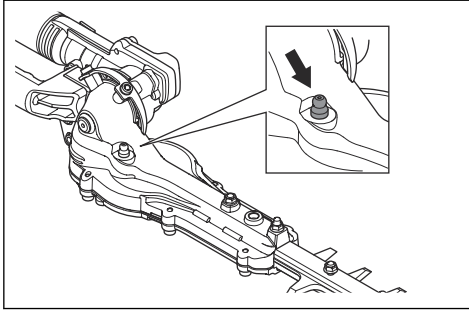


ADVERTENCIA: Para evitar quemaduras, deje que el producto se enfríe antes de tocar el engranaje angulado y la caja de cambios.

Tenga en cuenta: El primer relleno de grasa de los productos nuevos se debe realizar después de aproximadamente 20 horas de funcionamiento.

- Utilice la grasa especial de Husqvarna. Póngase en contacto con su taller de servicio para obtener más información.

- Agregue la grasa a través de la boquilla de engrase.



AVISO: No llene la caja de cambios completamente.

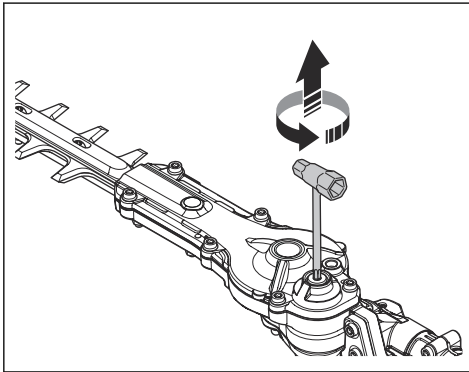
Para limpiar y lubricar las hojas

1. Retire materiales no deseados de las hojas antes y después de utilizar el producto.
2. Lubrique las cuchillas antes de períodos prolongados de almacenamiento.

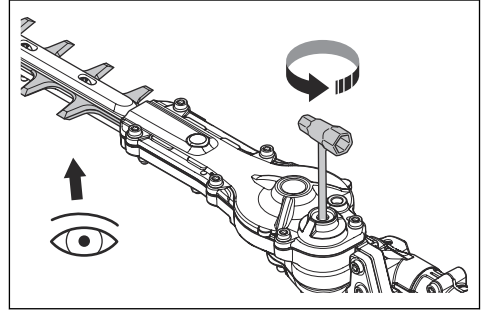
Tenga en cuenta: Comuníquese con su taller de servicio para obtener más información sobre los agentes de limpieza y lubricantes recomendados.

Para examinar las cuchillas

1. Retire el tornillo de la caja de cambios.



2. Coloque la llave combinada en la caja de cambios y gírela hacia la derecha y hacia la izquierda. Asegúrese de que las hojas se muevan libremente.



3. Inspeccione los bordes de las hojas para determinar si presentan daños o deformaciones.
4. Utilice una lima para quitar las rebabas de las hojas.
5. Vuelva a instalar todo en el orden inverso.

Datos técnicos

Datos técnicos del producto que funciona con gasolina

	HA200	HA860
Peso		

	HA200	HA860
Peso, kg/lb	2,4/5,3	2,7/5,9
Cuchillas		
Tipo	Doble cara	Doble cara
Longitud de corte, pulgadas/mm	23,6/600	23,6/600
Velocidad de corte, cortes/min	4400	4400

Table des matières

Introduction.....	23	Fonctionnement.....	28
Sécurité.....	25	Entretien.....	31
Montage.....	28	Données techniques.....	32

Introduction

Description du produit

Nous avons une politique de développement continu et nous réservons donc le droit de modifier la conception et l'apparence des produits sans préavis.

prévu. Consultez le chapitre sur les accessoires dans le manuel d'utilisation du produit.

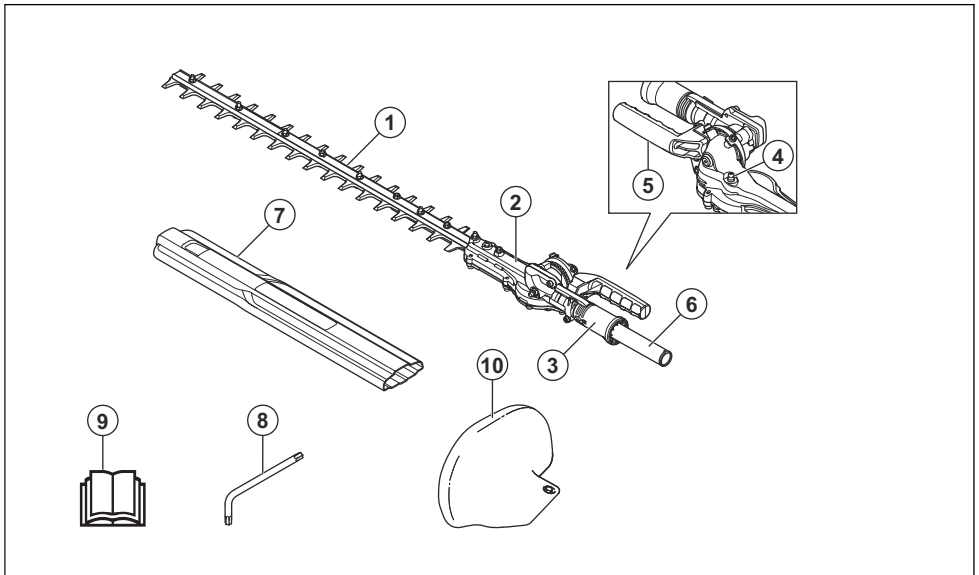
Utilisation prévue

Le produit est conçu pour tailler des branches uniquement.



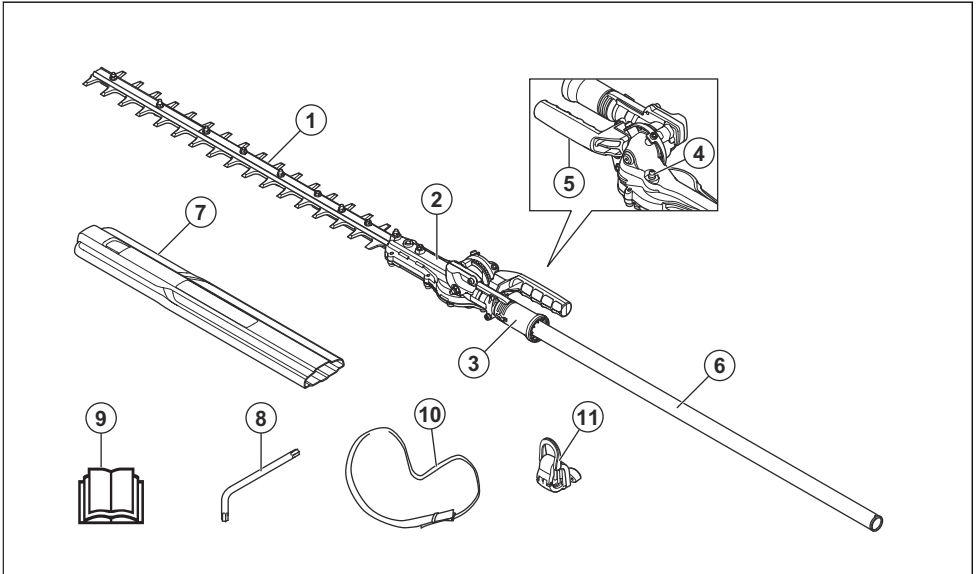
AVERTISSEMENT: Cet outil peut être utilisé seulement avec le produit pour lequel il est

Vue d'ensemble des accessoires pour HA200



- | | |
|--------------------------------------|---|
| 1. Lame | 6. Arbre |
| 2. Boîte d'engrenages | 7. Dispositif de protection pour le transport |
| 3. Poignée de réglage de la position | 8. Clé Torx |
| 4. Raccord de graissage | 9. Manuel d'utilisation |
| 5. Poignée | 10. Protège-mains |

Vue d'ensemble des accessoires pour HA860



1. Lame
2. Boîte d'engrenages
3. Poignée de réglage de la position
4. Raccord de graissage
5. Poignée
6. Arbre
7. Dispositif de protection pour le transport
8. Clé Torx
9. Manuel d'utilisation
10. Harnais
11. Crochet de support du harnais

vous. Utiliser un dispositif de protection homologué pour les oreilles. Utiliser un dispositif de protection homologué pour les yeux.



Arrêter complètement le produit avant de toucher à l'outil de coupe.



Tenir toute partie du corps à l'écart des surfaces chaudes.



Flèches indiquant les limites de positionnement de la poignée.



Utiliser des gants de protection homologués.



Utiliser des bottes antidérapantes robustes.

Symboles figurant sur l'outil



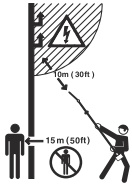
AVERTISSEMENT : Faire attention et utiliser le produit correctement. Cet outil peut causer des blessures graves, ou même mortelles, à l'utilisateur et à d'autres personnes.



Lire attentivement le manuel d'utilisation et veiller à bien comprendre les directives avant d'utiliser cette machine.



Utiliser un casque de protection dans les endroits où des objets peuvent tomber sur



Ce produit n'est doté d'aucune isolation électrique. Si le produit touche des lignes à haute tension ou est utilisé à proximité de celles-ci, cela pourrait entraîner la mort ou des blessures graves. L'électricité peut se transmettre entre des objets différents par une courbe. Plus la tension est élevée, plus l'électricité est transmise sur une longue distance. L'électricité peut également être transmise dans les branches et d'autres objets, particulièrement s'ils sont mouillés. Toujours conserver une distance d'au moins 10 m (33 pi) entre le produit et les lignes à haute tension. S'assurer que l'alimentation est coupée avant de commencer le travail à proximité des lignes électriques. Pendant l'utilisation, garder une distance minimale de 15 m/50 pi avec d'autres personnes ou des animaux.

Remarque : Les autres symboles et autocollants apposés sur le produit se rapportent aux exigences en matière de certification pour certains marchés.

Proposition 65

⚠ ATTENTION!

Les émissions du moteur de cet outil contiennent des produits chimiques qui, d'après l'État de Californie, peuvent causer le cancer, des malformations congénitales ou autre danger pour la reproduction

Sécurité

Définitions relatives à la sécurité

Les avertissements, recommandations et remarques soulignent des points du manuel qui revêtent une importance particulière.



AVERTISSEMENT: Indique la présence d'un risque de blessure ou de décès de l'utilisateur ou de personnes à proximité si les instructions du manuel ne sont pas suivies.



MISE EN GARDE : Indique la présence d'un risque de dommages au produit, à d'autres appareils ou à la zone adjacente si les instructions du manuel ne sont pas suivies.

Remarque : Utilisé pour donner des renseignements plus détaillés qui sont nécessaires dans une situation donnée.

Consignes de sécurité pour taille-haie à portée étendue

- **Ne pas utiliser le taille-haie lorsque les conditions météorologiques sont mauvaises, en particulier s'il y**

a risque d'éclairs. pour ne pas courir le risque d'être foudroyé.

- **Afin de réduire les risques d'électrocution, ne jamais utiliser le taille-haie à portée étendue près d'une ligne électrique.** Si l'outil est utilisé près d'une ligne électrique ou qu'il entre en contact avec celle-ci, cela pourrait causer de graves blessures ou une électrocution pouvant entraîner la mort.
- **Toujours utiliser les deux mains pour manipuler le taille-haie à portée étendue.** Tenir le taille-haie avec les deux mains pour éviter d'en perdre le contrôle.
- **Porter un casque en tout temps lorsque vous utilisez le taille-haie à un niveau supérieur à celui de votre tête.** La chute de débris peut causer de graves blessures.

Consignes générales de sécurité

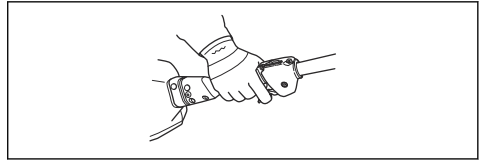


AVERTISSEMENT: Lire toutes les instructions et consignes de sécurité. Le non-respect de ces instructions et consignes peut provoquer une électrocution, un incendie et des blessures graves.

- Lire attentivement le manuel d'utilisation et s'assurer de bien comprendre les instructions avant d'utiliser l'accessoire.

- Ces instructions complètent les instructions fournies avec le produit. Pour d'autres procédures, se reporter aux instructions d'utilisation du produit.
- La conception de l'outil ne peut en aucun cas être modifiée sans l'autorisation du fabricant. Ne pas utiliser un outil qui semble avoir été modifié par d'autres, et toujours utiliser des accessoires d'origine. Les modifications et les accessoires non autorisés peuvent engendrer des blessures graves ou la mort de l'utilisateur ou d'autres personnes.

- Utiliser la main droite pour commander le réglage de la manette des gaz.

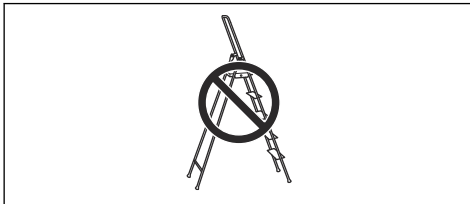


- Lorsque le moteur est en marche, garder les mains et les pieds à l'écart de l'outil de coupe.
- Lorsque le moteur est coupé, gardez les mains et les pieds à l'écart de l'outil de coupe jusqu'à ce qu'il soit complètement arrêté.
- Faire attention aux branches pouvant être projetées durant la coupe.
- Toujours placer le produit sur le sol quand il n'est pas utilisé.
- Ne pas couper trop près du sol. Des pierres et d'autres objets peuvent être projetés.
- Vérifier l'aire de travail à la recherche d'obstacles comme des câbles électriques, des insectes et des animaux, etc. ou de tout autre objet susceptible d'endommager l'accessoire de coupe comme un objet en métal.
- Si le produit touche un objet étranger quelconque ou produit des vibrations, l'arrêter immédiatement. Débranchez le chapeau de bougie de la bougie. Assurez-vous que le produit n'a pas subi de dommages. Réparer tout dommage.
- Si un objet se coince dans les lames durant le travail, couper le moteur et attendre qu'il s'arrête complètement avant de nettoyer les lames. Débranchez le chapeau de bougie de la bougie.

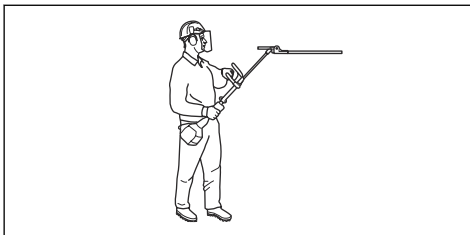
Conserver ces instructions et avertissements pour consultation ultérieure.

Consignes de sécurité pour l'utilisation

- Il est recommandé de consulter un expert en cas de doute. Communiquer avec votre concessionnaire ou votre atelier d'entretien.
- Éviter toutes les utilisations qui vous semblent difficiles.
- Outil de coupe. Ne pas toucher l'outil sans avoir préalablement arrêté le moteur.
- Ne laissez jamais un enfant utiliser le produit.
- S'assurer que personne ne s'approche à moins de 15 m pendant le travail.
- Ne laissez jamais des gens utiliser le produit sans d'abord s'assurer qu'ils ont compris le contenu du manuel de l'opérateur.
- Ne jamais travailler debout sur une échelle, un tabouret, ou dans une autre position élevée n'offrant pas une sécurité maximale.



- Toujours s'assurer d'être dans une position de travail sûre et stable.
- Tenez toujours le produit à deux mains. Tenez l'outil sur le côté du corps.



Autres renseignements relatifs à la sécurité

- Éviter les environnements dangereux – ne pas utiliser d'appareils dans des endroits humides ou mouillés.
- Ne pas utiliser sous la pluie.
- Tenir à l'écart des enfants : tous les visiteurs doivent être tenus à bonne distance de la zone de travail.
- S'habiller convenablement – ne jamais porter de vêtements amples ou de bijoux. Ils peuvent se coincer dans les pièces mobiles. Il est recommandé de porter des gants en caoutchouc et des chaussures robustes pour travailler à l'extérieur. Le cas échéant, portez un couvre-chef pour couvrir les cheveux longs.
- Porter des lunettes de sécurité – toujours porter un masque à poussière en cas d'utilisation de l'appareil en milieu poussiéreux.
- Utiliser le bon appareil – ne pas utiliser un appareil pour une autre tâche que celle à laquelle il est destiné.
- Prévenir les démarrages accidentels – ne pas laisser le doigt sur la gâchette d'un appareil branché lors de

- son transport. S'assurer que l'interrupteur est en position d'arrêt lors du branchement.
- Ne pas forcer l'appareil – il offre de meilleurs résultats et le travail est effectué de façon plus sécuritaire s'il tourne au régime pour lequel il a été conçu.
- Ne pas se pencher trop en avant – garder l'équilibre et un bon appui au sol en tout temps.
- Rester vigilant – être conscient de ce que l'on fait. Faire preuve de bon sens Ne pas faire fonctionner l'appareil lorsqu'on est fatigué.
- Ranger les appareils inutilisés à l'intérieur – lorsqu'ils ne sont pas utilisés, les appareils doivent être rangés à l'intérieur, dans un endroit sec et en hauteur ou verrouillé, hors de portée des enfants.
- Entretenir l'appareil avec soin – garder l'arête de coupe bien affûtée et propre pour obtenir des performances optimales et réduire les risques de blessures. Respecter les instructions concernant la lubrification et le changement des accessoires. Garder les poignées sèches, propres et exemptes d'huile et de graisse.
- Vérifier les pièces endommagées – avant toute utilisation de l'appareil, il convient de vérifier soigneusement qu'une protection ou toute autre pièce endommagée fonctionne correctement et remplit sa fonction prévue. Vérifier l'alignement des pièces mobiles, le grippage des pièces mobiles, la rupture de pièces, le montage et tout autre état susceptible de nuire à son fonctionnement. Une protection ou toute autre pièce endommagée doit être réparée ou remplacée adéquatement par un centre d'entretien autorisé, sauf indication contraire dans ce manuel.

Équipement de protection personnelle



AVERTISSEMENT: Lire les messages d'avertissement qui suivent avant d'utiliser l'appareil.

- L'exposition prolongée au bruit peut causer des lésions auditives permanentes. Toujours utiliser un dispositif de protection homologué pour les oreilles.
- Porter toujours des bottes de protection antidérapantes.



- Porter toujours des vêtements de travail et des longs pantalons robustes.

- Ne jamais porter des vêtements amples ou des bijoux.
- S'assurer que les cheveux ne pendent pas sous le niveau des épaules.

Dispositifs de sécurité sur l'outil



AVERTISSEMENT: Lire les messages d'avertissement qui suivent avant d'utiliser l'outil.

Cette section décrit l'équipement de sécurité du produit, son but et la façon d'en effectuer les inspections et l'entretien afin de s'assurer qu'il fonctionne correctement. Voir les instructions à la section *Introduction à la page 23* pour savoir où se trouvent ces pièces sur votre produit.

La durée de vie du produit peut être réduite et le risque d'accident peut augmenter si l'entretien de la machine n'est pas effectué correctement et si l'entretien ou les réparations ne sont pas effectués de façon professionnelle. Pour obtenir de plus amples informations, veuillez communiquer avec votre concessionnaire le plus proche.



AVERTISSEMENT: N'utilisez jamais un produit dont les composants de sécurité sont défectueux. L'équipement de sécurité du produit doit être inspecté et entretenu selon les directives de la présente section. Si une inspection de la machine détecte une panne, communiquez avec un atelier spécialisé pour réparation.



MISE EN GARDE : Tous les travaux de réparation nécessitent une formation spéciale. Ceci concerne particulièrement l'équipement de sécurité de la machine. Si les contrôles suivants ne donnent pas un résultat positif, vous devez communiquer avec un atelier spécialisé. L'achat de l'un de nos produits offre à l'acheteur la garantie d'un service et de réparations qualifiés. Si le détaillant qui vous a vendu la machine n'est pas un centre de service agréé, demandez-lui l'adresse de l'atelier spécialisé le plus proche.

Pour vérifier les lames

1. Arrêter le moteur et s'assurer que les lames s'arrêtent aussi.
2. Retirer le chapeau de la bougie.
3. Enfiler des gants de protection.
4. S'assurer que les lames ne sont ni endommagées ni pliées. Toujours remplacer une lame endommagée ou tordue.
5. S'assurer que les vis des lames sont bien serrées.

Pour effectuer une vérification du pignon conique et de la boîte de vitesses



AVERTISSEMENT: Pour éviter les brûlures, laisser le produit refroidir avant de toucher le pignon conique et la boîte de vitesses.

- Effectuer une inspection visuelle pour détecter d'éventuels dommages ou déformation.

Surface chaude

La boîte de vitesses devient chaude après l'utilisation du produit. Ne pas toucher la boîte de vitesses pour éviter les blessures.

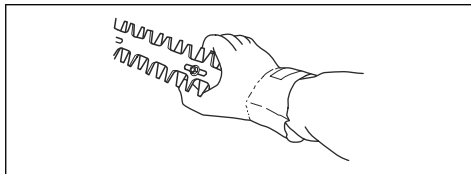
Consignes de sécurité pour la maintenance

Lire les messages d'avertissement qui suivent avant d'utiliser l'outil.

- Toujours arrêter complètement le produit et retirer le chapeau de la bougie d'allumage avant d'effectuer

l'entretien du produit. Assurez-vous que l'équipement de coupe est complètement immobilisé.

- Toujours installer la protection de transport sur l'équipement de coupe lorsque le produit n'est pas en cours d'utilisation.
- Toujours porter des gants très résistants lors de l'entretien de l'équipement de coupe. L'équipement de coupe est très tranchant et peut facilement causer des blessures.

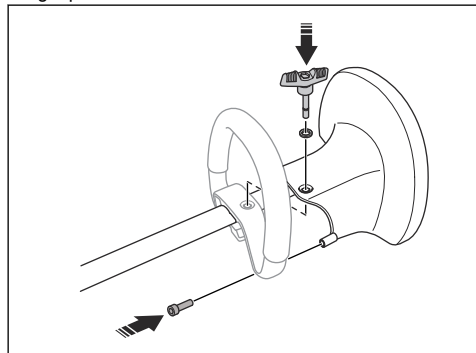


- Garder le produit dans un endroit verrouillé hors de portée des enfants et des personnes non autorisées.
- N'utiliser que des pièces de rechange d'origine pour les réparations.

Montage

Installation du protège-main (HA200)

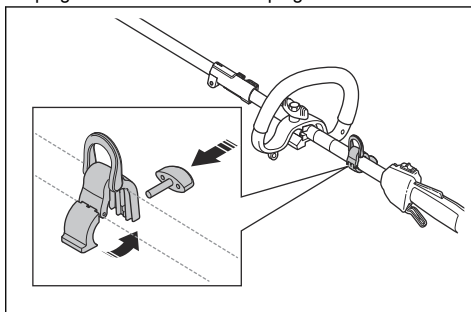
1. Installer le protège-main à l'aide de la vis et de la goupille.



Installation du crochet de support du harnais (HA860)

1. Retirer la vis pour libérer la fixation du crochet de support du harnais.

2. Installer le crochet de support du harnais entre la poignée d'accélération et la poignée en boucle.



3. Installer la vis pour fixer le crochet de support du harnais.
4. Régler la position du crochet de support du harnais jusqu'à ce que le produit soit bien équilibré et facile à manipuler.

Fonctionnement

Avant d'utiliser le produit

- Examiner la zone de travail et retirer tout objet libre.
- Vérifier l'unité de coupe. Se reporter à la section *Pour vérifier les lames à la page 27*.
- S'assurer que le carter est bien lubrifié.

- S'assurer que les dispositifs de sécurité du produit fonctionnent correctement. Ne pas utiliser le produit sans que tous les dispositifs de sécurité n'y soient bien installés.
- S'assurer que toutes les vis et tous les écrous sont bien serrés.

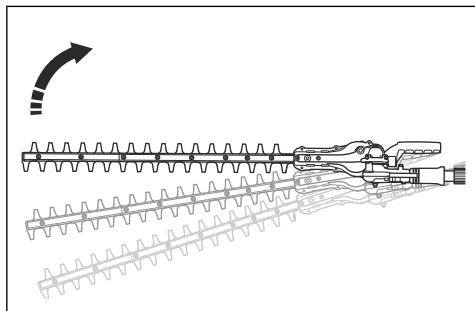
- Avant de démarrer le produit, s'assurer que tous les couvercles sont bien fixés et qu'ils ne sont pas endommagés.
- S'assurer que l'unité de coupe s'immobilise lorsque le moteur tourne au ralenti.

Pour effectuer une vérification avant le démarrage

1. Vérifier la zone de travail. Retirer tout objet susceptible d'être projeté.
2. Vérifier l'outil de coupe. Ne pas utiliser de lames endommagées.
3. Vérifier que le produit est en parfait état de marche. Vérifier le serrage de l'ensemble des écrous et des vis.
4. S'assurer que le carter d'engrenage est correctement lubrifié. Pour plus d'instructions, se reporter à *Pour lubrifier le pignon conique et la boîte de vitesses à la page 31.*
5. Vérifier que l'accessoire de coupe s'arrête lorsque la gâchette de puissance ou l'accélérateur sont relâchés.
6. Utiliser ce produit seulement pour les travaux auxquels il est destiné.
7. Assurez-vous que la poignée et que les fonctions de sécurité sont en bon état d'utilisation. N'utilisez jamais un produit dont une pièce est manquante ou ayant été modifié contrairement aux spécifications.

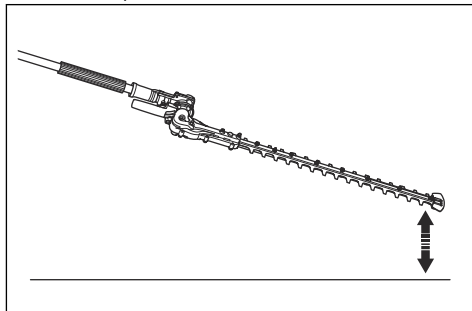
Utilisation de la machine

1. Démarrer à proximité du sol et déplacer le produit en même temps le long de la haie lorsqu'on coupe les côtés.



2. Régler la vitesse selon la charge de travail.
3. S'assurer que le moteur ne touche pas la haie.
4. Tenir le produit à proximité du corps pour obtenir une position de travail stable.

5. S'assurer que l'extrémité de l'équipement de coupe ne touche pas le sol.



6. Faire preuve de prudence et travailler lentement jusqu'à ce que toutes les branches soient correctement coupées.

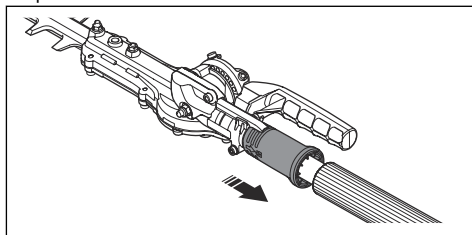
Pour régler l'angle de l'unité de coupe

L'unité de coupe peut être réglée à dix positions différentes.

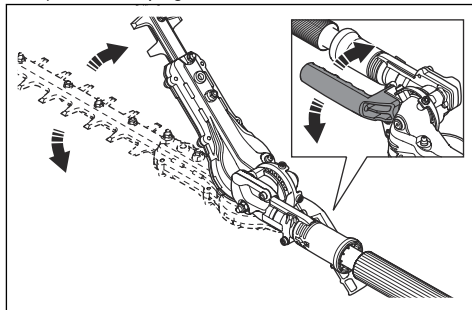


AVERTISSEMENT: Ne pas actionner l'unité de coupe lors du réglage de l'angle.

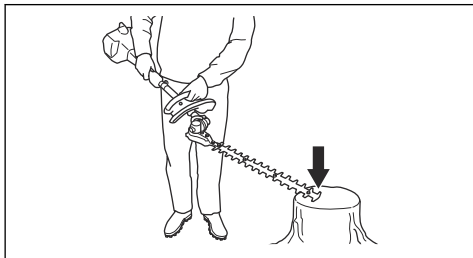
1. Laisser le moteur tourner au ralenti et s'assurer que l'unité de coupe ne bouge pas.
2. Tirez vers le bas sur la poignée de réglage de la position.



3. Incliner l'unité de coupe dans la position correcte. Utiliser l'une des procédures suivantes.
 - a) Utiliser la poignée.



- b) Pousser l'extrémité de l'unité de coupe contre une surface stable.



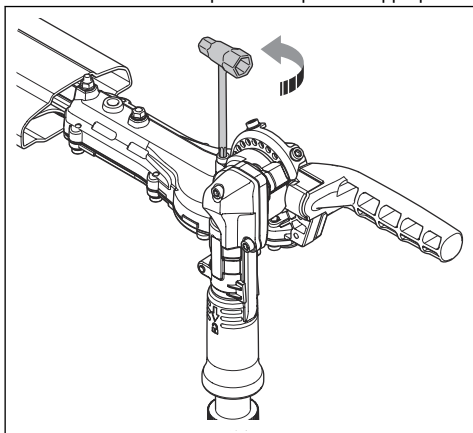
- Relâcher la poignée de réglage de la position pour verrouiller l'unité de coupe.
- Pousser l'unité de coupe contre la haie pour s'assurer qu'elle est verrouillée.

Pour régler le frottement à des fins de réglage de l'angle



AVERTISSEMENT: Ne pas actionner l'unité de coupe lors du réglage du frottement.

- Appuyer sur l'interrupteur d'arrêt pour éteindre le produit.
- Installer la protection de transport sur l'unité de coupe.
- Tirez vers le bas sur la poignée de réglage de la position.
- Incliner l'unité de coupe dans la position appropriée.



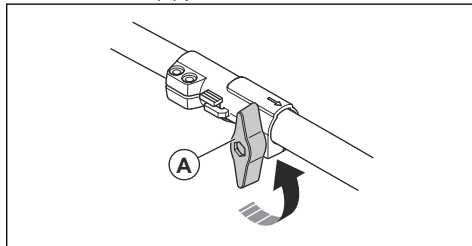
- Tourner la vis pour régler le frottement.
- Régler l'unité de coupe dans différentes positions pour essayer le frottement.

Pour démonter le produit en vue de son transport

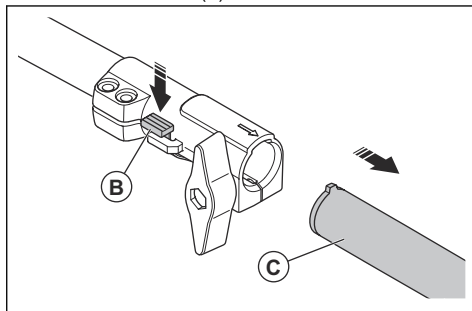


AVERTISSEMENT: Ne pas démarrer le produit lorsqu'il est en position de transport.

- Appuyer sur l'interrupteur d'arrêt pour éteindre le produit.
- Installer la protection de transport sur l'équipement de coupe.
- Tourner la vis (A) pour desserrer le raccord.



- Maintenir le bouton (B) enfoncé.



- Tirer sur l'équipement de coupe (C) pour le dégager du raccord.
- S'assurer que l'équipement de coupe et le produit ne peuvent pas bouger pendant le transport.

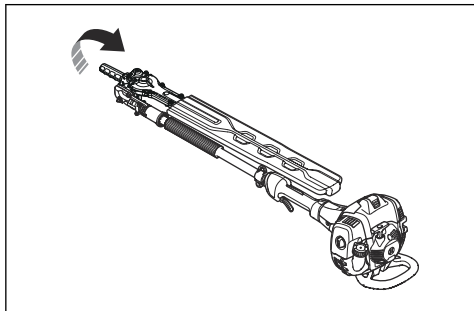
Pour régler l'outil en position de transport



AVERTISSEMENT: Ne pas démarrer le produit lorsqu'il est en position de transport.

- Appuyer sur l'interrupteur d'arrêt pour éteindre le produit.
- Installer la protection de transport sur l'unité de coupe.
- Tirez vers le bas sur la poignée de réglage de la position.

4. Plier l'unité de coupe pour la rendre parallèle à l'arbre.



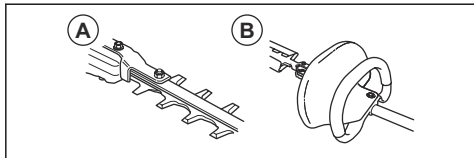
Entretien

Introduction

Vous trouverez ci-dessous quelques instructions d'entretien général. Pour obtenir des renseignements supplémentaires, communiquez avec votre atelier d'entretien.

Entretien de l'outil

Pour effectuer l'entretien quotidien



1. S'assurer que les lames (A) ne bougent pas lorsque la gâchette de puissance ou l'accélérateur sont relâchés ou lorsque le starter se trouve en position de démarrage.
2. S'assurer que le protège-main (B) (HA200) est en bon état. Remplacer le protège-main au besoin.

Pour effectuer l'entretien général

Pour lubrifier le pignon conique et la boîte de vitesses

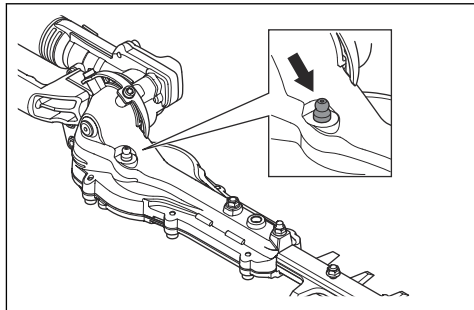


AVERTISSEMENT: Pour éviter les brûlures, laisser le produit refroidir avant de toucher le pignon conique et la boîte de vitesses.

Remarque : Les nouveaux produits sont d'abord remplis de graisse après environ 20 heures de fonctionnement.

- Utiliser de la graisse spéciale Husqvarna. Pour obtenir de plus amples renseignements, communiquer avec votre centre de services.

- Ajouter de la graisse par le raccord de graissage.



MISE EN GARDE : Ne pas remplir complètement la boîte de vitesses.

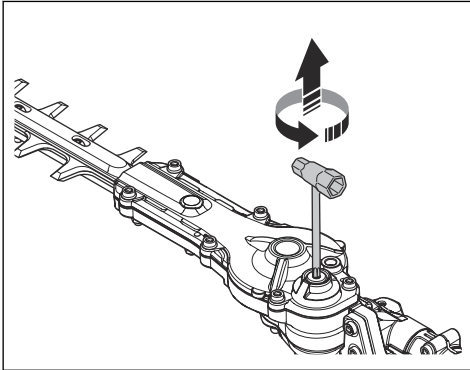
Pour nettoyer et lubrifier les lames

1. Nettoyer les lames de tout matériau indésirable avant et après l'utilisation du produit.
2. Lubrifier les lames avant une longue période de remisage.

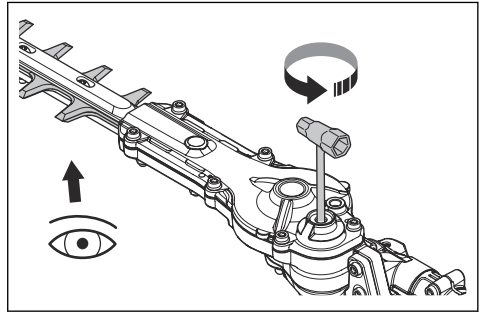
Remarque : Pour obtenir de plus amples renseignements sur les lubrifiants et les produits de nettoyage recommandés, communiquer avec votre centre de services.

Pour examiner les lames

1. Retirer la vis de la boîte de vitesses.



2. Placer la clé à usages multiples dans la boîte de vitesses et la tourner dans le sens des aiguilles d'une montre, puis dans le sens inverse. Vérifier que les lames bougent librement.



3. Examiner les bords des lames à la recherche de dommages et de déformation.
4. Retirer les bavures sur les lames à l'aide d'une lime.
5. Effectuer l'installation dans l'ordre inverse.

Données techniques

Caractéristiques techniques du produit à essence

	HA200	HA860
Poids		
Poids, lb/kg	5,3/2,4	5,9/2,7
Barre de coupe		
Type	Double	Double
Longueur de coupe, mm/po	23,6/600	23,6/600
Vitesse de découpe, coupes/min	4 400	4 400



www.husqvarna.com

Original instructions
Instrucciones originales
Instructions d'origine

1141757-49



2020-03-27