

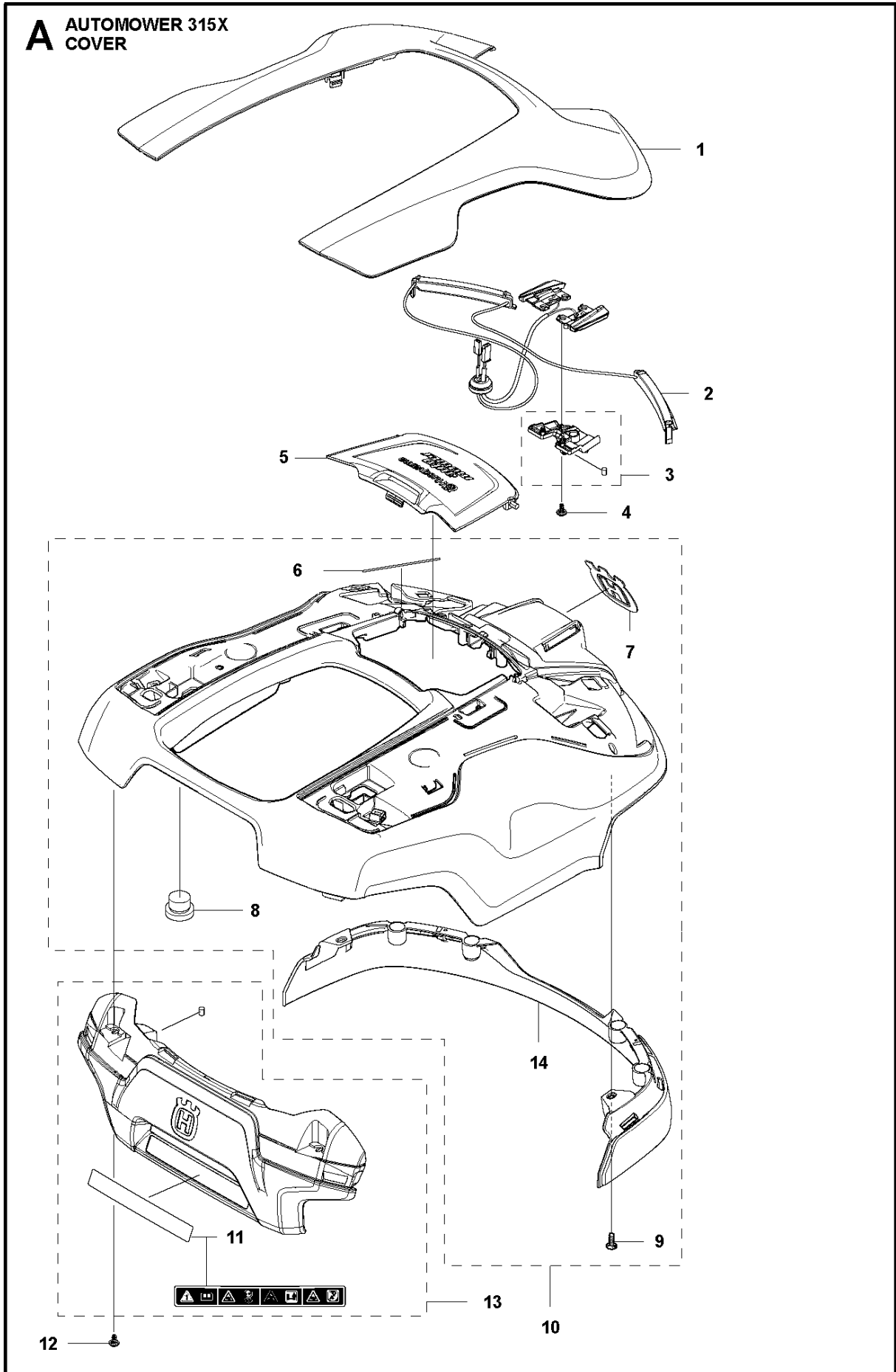


SPARE PARTS LIST

ROBOTIC LAWN MOWERS

AUTOMOWER 315X, 2020-

A AUTOMOWER 315X
COVER



COVER

AUTOMOWER 315X, 2020-

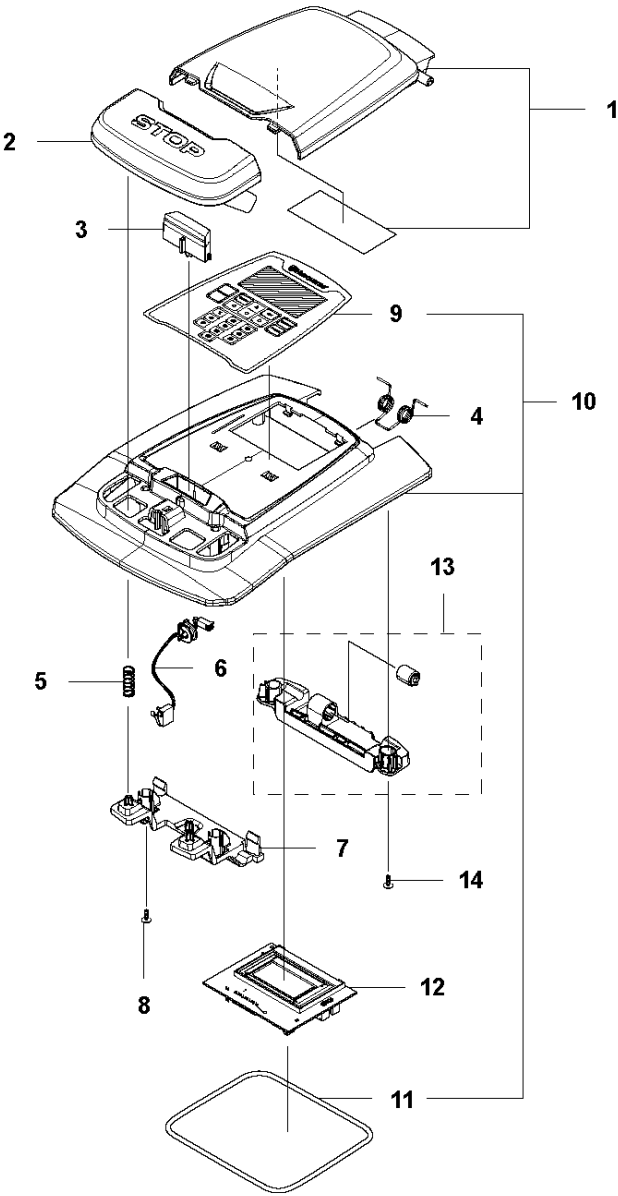
| Ref | Part No | Description | Remark | QTY | KIT |
|-----|--------------|---------------|----------------------------|-----|-----|
| 1 | 590 87 69-01 | BODY KIT | Top Cover KIT Robotic Grey | 1 | |
| 1 | 590 87 69-02 | BODY KIT | Top Cover KIT White | 1 | |
| 1 | 599 25 52-01 | COVER | Limited Edition | 1 | |
| 2 | 589 29 91-01 | WIRING ASSY | Wiring Assy | 1 | |
| 3 | 587 44 86-02 | HOLDER KIT | Holder Assy | 1 | |
| 4 | 574 45 01-01 | SCREW ITXPANT | Screw | 1 | |
| 5 | 589 55 27-03 | HOOD | Hood | 1 | |
| 6 | 588 47 02-01 | SPRING | Spring Hood | 1 | 10 |
| 7 | 574 38 21-01 | DECAL | Crown | 1 | 10 |
| 8 | 580 52 68-01 | CAP | Cap Snaplock | 3 | 10 |
| 9 | 574 45 01-01 | SCREW ITXPANT | Screw | 6 | |
| 10 | 587 44 85-02 | BODY KIT | Body Assy | 1 | |
| 11 | 586 35 97-01 | LABEL | Label Warning | 1 | 13 |
| 12 | 574 45 01-01 | SCREW ITXPANT | Screw | 2 | |
| 13 | 587 44 87-01 | BUMPER | Bumper Assy | 1 | |
| 14 | 589 33 70-01 | BUMPER | Bumper front | 1 | 10 |

CHASSIS UPPER

AUTOMOWER 315X, 2020-

| Ref | Part No | Description | Remark | QTY | KIT |
|-----|--------------|----------------------|------------------------------|-----|-----|
| 1 | 581 62 09-03 | JOYSTICK KIT | Joystick KIT Front | 1 | |
| 2 | 580 52 67-01 | STUD | Stud | 1 | 1 |
| 3 | 579 52 57-01 | WASHER | Washer | 1 | 1 |
| 4 | 579 47 46-01 | BELLOWS | Bellows | 1 | 1 |
| 5 | 587 44 88-02 | JOYSTICK KIT | Joystick ASSY | 1 | 1 |
| 6 | 503 22 66-01 | SQUARE NUT | Square Nut | 1 | 1,5 |
| 7 | 592 85 23-01 | PRINTED CIRCUIT ASSY | PCBA Lift Sensor | 1 | |
| 8 | 575 54 33-14 | SCREW | Screw | 3 | |
| 9 | 574 45 01-01 | SCREW ITPANT | Screw | 4 | |
| 10 | 594 05 86-01 | JOYSTICK ASSY | Joystick KIT Rear | 2 | |
| 11 | 574 45 01-01 | SCREW ITPANT | Screw | 12 | |
| 12 | 587 44 89-02 | CHASSIS KIT | Chassis KIT | 1 | |
| 13 | 574 87 47-09 | SEALING STRIP | Sealing Strip (1 pcs, Ø5 mm) | 1 | 12 |
| 14 | 574 87 47-08 | SEALING STRIP | Sealing Strip (1 pcs, Ø5 mm) | 1 | 12 |
| 15 | 587 98 65-02 | KNOB | Knob | 1 | |
| 16 | 589 56 09-01 | PLATE | Height Adjustment | 1 | |
| 17 | 592 90 95-01 | PRINTED CIRCUIT ASSY | PCBA Collision Sensor | 1 | |
| 18 | 574 45 01-01 | SCREW ITPANT | Screw | 3 | |
| 19 | 580 68 29-01 | HOLDER | Holder Twist Lock | 3 | |
| 20 | 585 20 85-01 | LOOM | Loom Lift-Collision | 1 | |
| 21 | 588 79 78-01 | WIRING ASSY | Loom | 1 | |
| 22 | 574 45 01-01 | SCREW ITPANT | Screw | 4 | |
| 23 | 586 66 23-05 | GPS MODULE | Combo KIT (all markets) | 1 | |

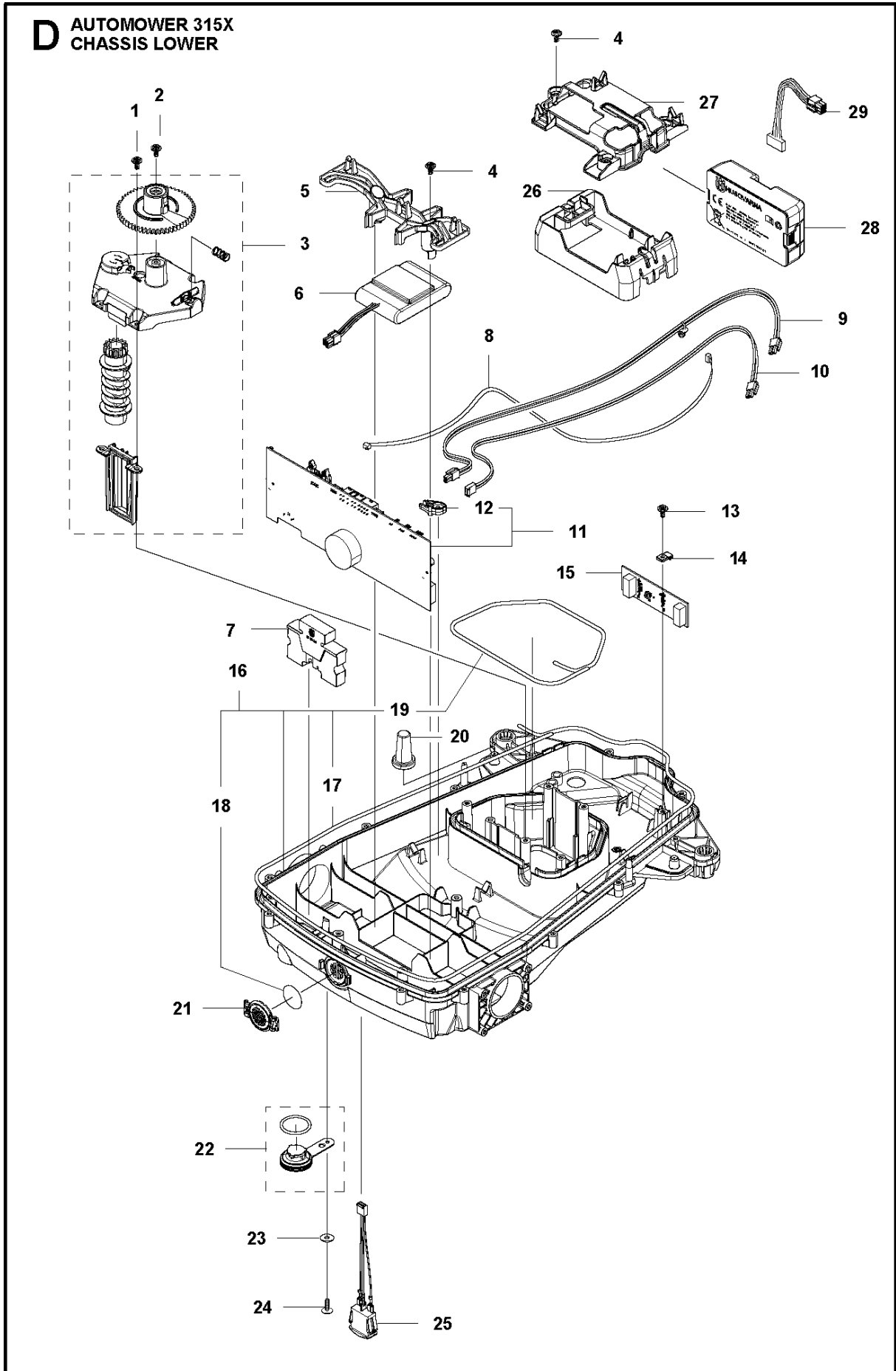
C AUTOMOWER 315X
CENTER CONSOL



CENTER CONSOL

AUTOMOWER 315X, 2020-

| Ref | Part No | Description | Remark | QTY KIT | |
|-----|--------------|----------------------|-----------------------------------|---------|----|
| 1 | 587 65 13-02 | HATCH KIT | Hatch KIT black | 1 | |
| 1 | 599 23 60-02 | HATCH | Limited Edition | 1 | |
| 2 | 585 27 56-01 | BUTTON | Stop Button | 1 | |
| 3 | 585 27 59-01 | LOCK | Lock | 1 | |
| 4 | 585 25 54-01 | TORSION SPRING | Torsion Spring | 1 | |
| 5 | 576 24 22-01 | SPRING | Spring | 3 | |
| 6 | 574 48 03-02 | SWITCH | Switch | 1 | |
| 7 | 585 27 57-01 | SUPPORT | Support Rear | 1 | |
| 8 | 575 54 33-14 | SCREW | Screw | 2 | |
| 9 | 584 97 46-01 | KEYBOARD | "Keyboard 2.8"" Display 315" | 1 | 10 |
| 10 | 587 44 90-03 | COVER KIT | "Cover KIT 2.8"" Display 315X" | 1 | |
| 11 | 574 87 47-08 | SEALING STRIP | Sealing Strip (1 pcs, Ø5 mm) | 1 | 10 |
| 12 | 592 91 02-01 | PRINTED CIRCUIT ASSY | "PCBA MMI 2.8"" Display 315" | 1 | |
| 13 | 501 10 61-01 | SUPPORT KIT | Support KIT | 1 | |
| 14 | 575 54 33-14 | SCREW | Screw | 2 | |

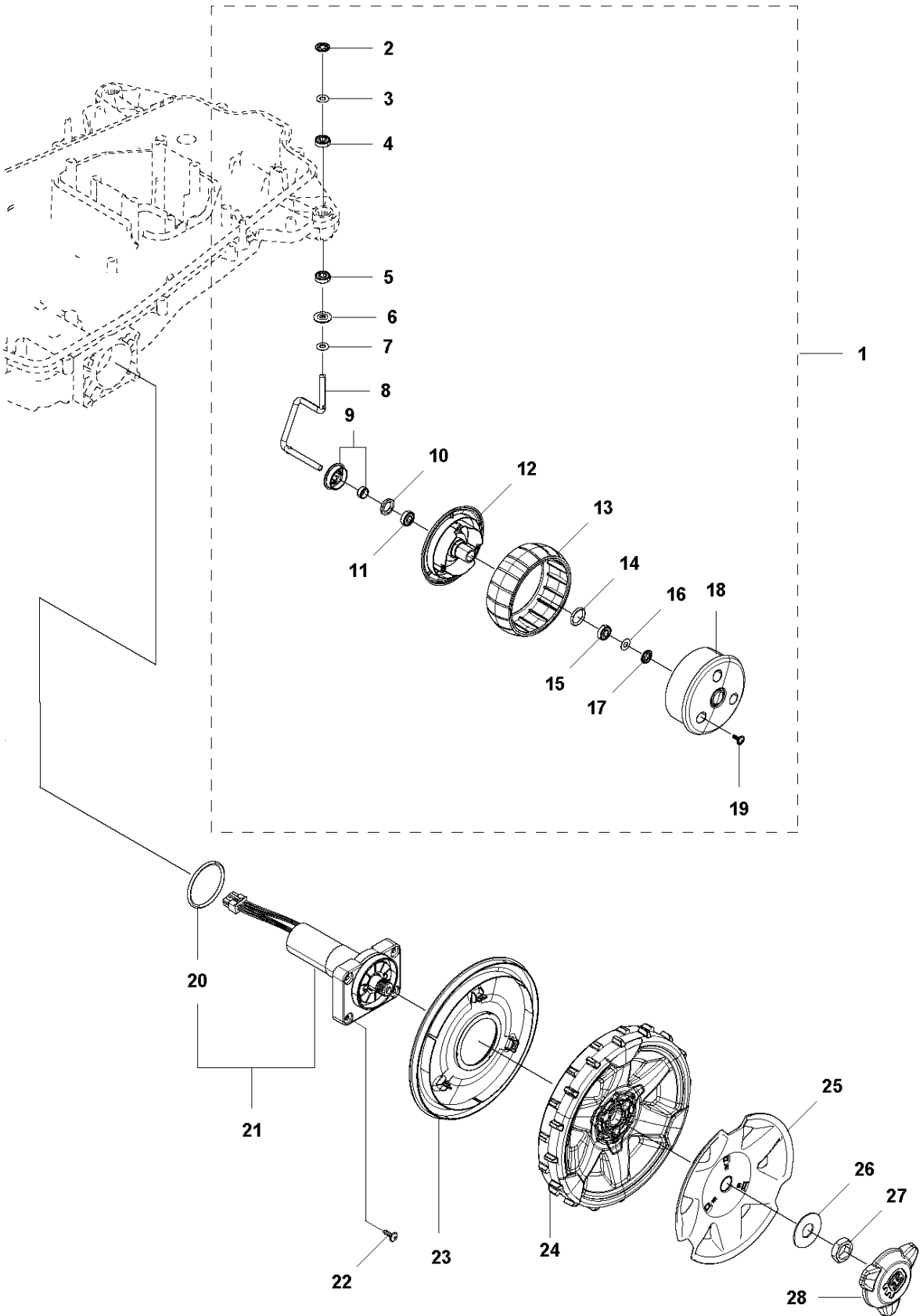


CHASSIS LOWER

AUTOMOWER 315X, 2020-

| Ref | Part No | Description | Remark | QTY KIT | |
|-----|--------------|----------------------|------------------------------|---------|----|
| 1 | 574 45 01-01 | SCREW ITXPANT | Screw | 4 | |
| 2 | 574 45 01-01 | SCREW ITXPANT | Screw | 1 | |
| 3 | 501 10 66-01 | COVER KIT | Cover KIT | 1 | |
| 4 | 574 45 01-01 | SCREW ITXPANT | Screw | 2 | |
| 5 | 589 49 80-01 | HOLDER | Holder Battery | 1 | |
| 6 | 589 58 62-01 | BATTERY | Battery | 1 | |
| 7 | 593 25 30-01 | WEIGHT | Weight | 1 | |
| 8 | 579 70 82-01 | WIRING ASSY | Loom Loop Sensor | 1 | |
| 9 | 585 53 90-01 | LOOM | Loom Charging | 1 | |
| 10 | 588 81 84-02 | WIRING ASSY | LED extension | 1 | |
| 11 | 592 85 18-01 | PRINTED CIRCUIT ASSY | Main Board | 1 | |
| 12 | 585 53 83-01 | CLIP | Clips | 2 | 11 |
| 13 | 574 45 01-01 | SCREW ITXPANT | Screw | 1 | |
| 14 | 579 52 94-01 | CLAMP | Clamp | 1 | |
| 15 | 592 85 27-01 | PRINTED CIRCUIT ASSY | Sensor Board | 1 | |
| 16 | 587 44 92-03 | CHASSIS KIT | Chassis Lower KIT | 1 | |
| 17 | 574 87 47-09 | SEALING STRIP | Sealing Strip (1 pcs, Ø5 mm) | 1 | 16 |
| 18 | 577 75 37-01 | AIR FILTER | Air Filter | 1 | 16 |
| 19 | 574 87 47-08 | SEALING STRIP | Sealing Strip (1 pcs, Ø5 mm) | 1 | 16 |
| 20 | 586 34 26-01 | COLUMN | Pillar | 2 | |
| 21 | 586 03 89-01 | COVER | Cover Filter | 1 | |
| 22 | 581 62 12-02 | PLUG KIT | Plug KIT | 1 | |
| 23 | 734 11 37-41 | WASHER | Washer | 1 | |
| 24 | 574 45 01-01 | SCREW ITXPANT | Screw | 1 | |
| 25 | 579 70 87-01 | WIRING ASSY | Loom On-Off | 1 | |
| 26 | 593 25 29-01 | BRACKET | Bracket | 1 | |
| 27 | 594 00 98-01 | HOLDER | Holder | 1 | |
| 28 | 593 24 72-01 | BATTERY | Battery | 1 | |
| 29 | 591 20 36-01 | WIRING ASSY | Wiring assy | 1 | |

E AUTOMOWER 315X
WHEELS & TIRES

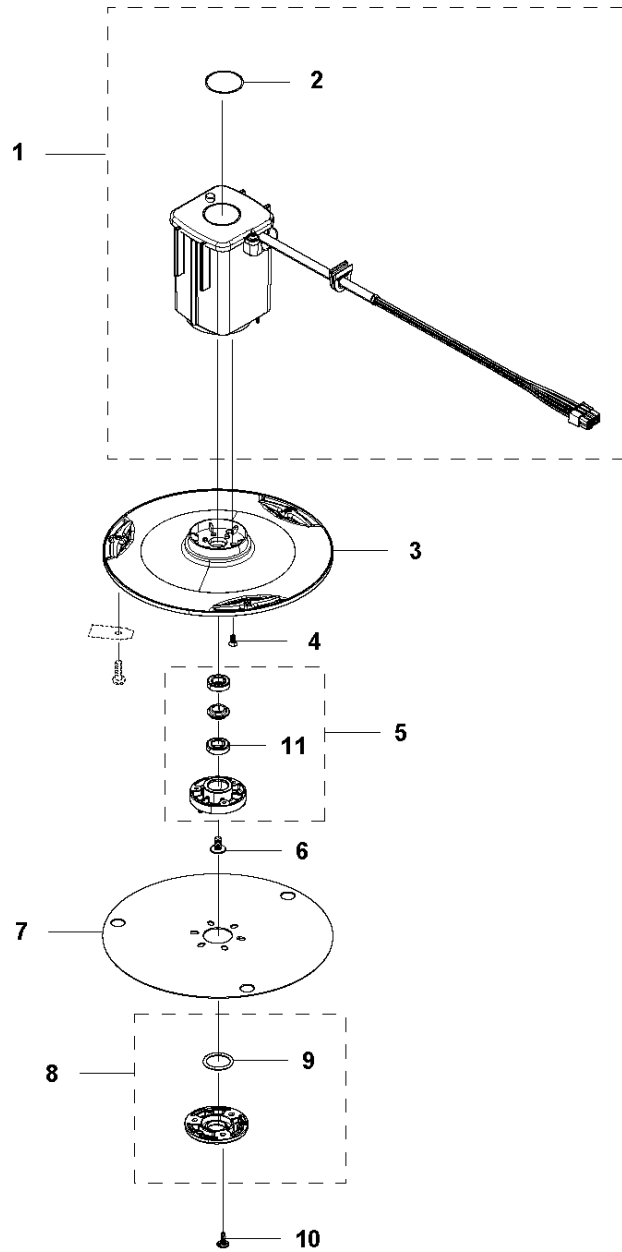


WHEELS & TIRES

AUTOMOWER 315X, 2020-

| Ref | Part No | Description | Remark | QTY | KIT |
|-----|--------------|------------------|--|-----|-----|
| 1 | 587 65 19-01 | WHEEL KIT | Front Wheel KIT | 2 | |
| 2 | 576 01 94-02 | LOCKWASHER | Lock Washer | 2 | 1 |
| 3 | 585 19 68-01 | WASHER | Washer | 2 | 1 |
| 4 | 585 21 42-01 | BALL BEARING | Ball Bearing | 2 | 1 |
| 5 | 585 21 42-01 | BALL BEARING | Ball Bearing | 2 | 1 |
| 6 | 535 08 78-02 | WASHER | Washer | 2 | 1 |
| 7 | 585 19 68-01 | WASHER | Washer | 2 | 1 |
| 8 | 585 18 72-01 | SPINDLE | Spindle | 2 | 1 |
| 9 | 587 44 93-01 | SHIELD KIT | Shield KIT | 2 | 1 |
| 10 | 580 48 71-01 | SEALING | Sealing | 2 | 1 |
| 11 | 585 21 42-01 | BALL BEARING | Ball Bearing | 2 | 1 |
| 12 | 579 45 71-01 | WHEEL | Wheel Inside | 2 | 1 |
| 13 | 574 44 98-01 | WHEEL | Wheel Tyre | 2 | 1 |
| 14 | 580 44 51-01 | O-RING | O-ring | 2 | 1 |
| 15 | 585 21 42-01 | BALL BEARING | Ball Bearing | 2 | 1 |
| 16 | 585 19 68-01 | WASHER | Washer | 2 | 1 |
| 17 | 576 01 94-01 | LOCKWASHER | Lock Washer | 2 | 1 |
| 18 | 579 45 72-01 | WHEEL | Wheel Outside | 2 | 1 |
| 19 | 575 54 33-14 | SCREW | Screw | 6 | 1 |
| 20 | 580 44 39-02 | O-RING | O-ring | 2 | 21 |
| 21 | 587 44 94-04 | MOTOR KIT | Motor Assy (o-ring incl from suppl) | 2 | |
| 22 | 574 45 01-01 | SCREW ITPANT | Screw | 8 | |
| 23 | 585 06 56-01 | COVER | Cover - Rear Wheel | 2 | |
| 24 | 590 21 73-03 | WHEEL ASSY | Rear Wheel | 2 | |
| 25 | 590 21 78-01 | COVER | Cover Painted | 2 | |
| 25 | 590 21 78-02 | COVER | Limited Edition | 1 | |
| 26 | 586 21 06-01 | WASHER | Washer | 2 | |
| 27 | 731 43 24-01 | HEXAGON THIN NUT | Thin Nut | 2 | |
| 28 | 579 50 55-02 | HUB CAP | Hub Cap | 2 | |

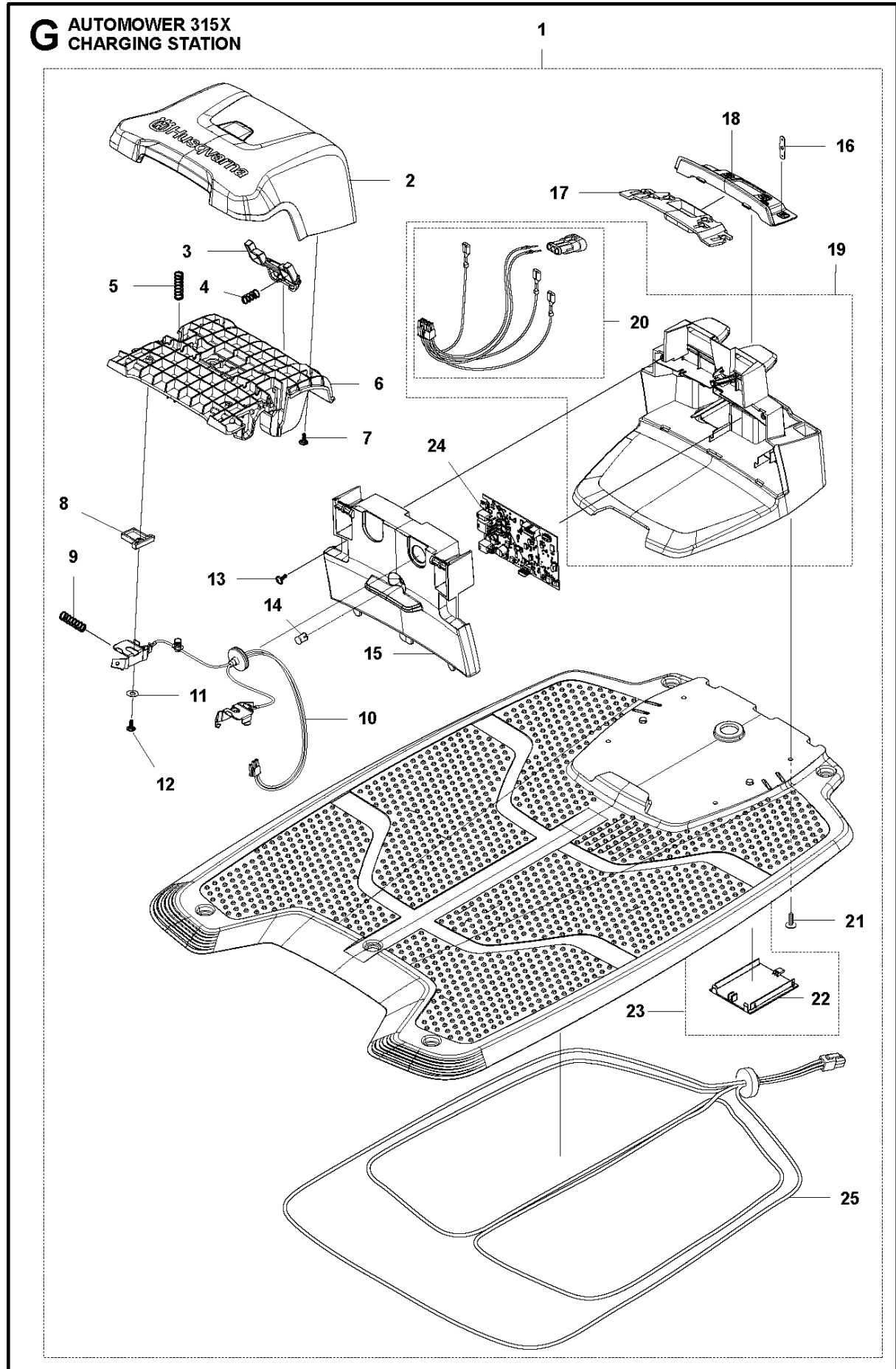
F AUTOMOWER 315X
BLADE MOTOR & CUTTING EQUIPMENT



BLADE MOTOR & CUTTING EQUIPMENT

AUTOMOWER 315X, 2020-

| Ref | Part No | Description | Remark | QTY | KIT |
|-----|--------------|----------------------|-------------------------------------|-----|-----|
| 1 | 584 92 05-02 | MOTOR ASSY | Motor ASSY (filter incl from suppl) | 1 | |
| 2 | 577 75 37-01 | AIR FILTER | Air Filter | 1 | 1 |
| 3 | 597 42 22-01 | CUTTING DISC | Cutting Disk | 1 | |
| 4 | 590 50 87-01 | SCREW | Screw | 3 | |
| 5 | 588 42 17-02 | BEARING HOUSING ASSY | Bearing Housing ASSY | 1 | |
| 6 | 535 07 60-01 | SCREW | Screw | 1 | |
| 7 | 597 44 99-01 | SKID PLATE | Skid Plate | 1 | |
| 8 | 587 44 96-01 | COVER KIT | Cover Assy | 1 | |
| 9 | 585 29 75-01 | O-RING | O-Ring | 1 | 8 |
| 10 | 575 54 33-14 | SCREW | Screw | 3 | |
| 11 | 535 07 57-03 | BALL BEARING | | 1 | |
| 11 | 593 08 08-01 | BALL BEARING | Tube 50 pcs | 1 | |

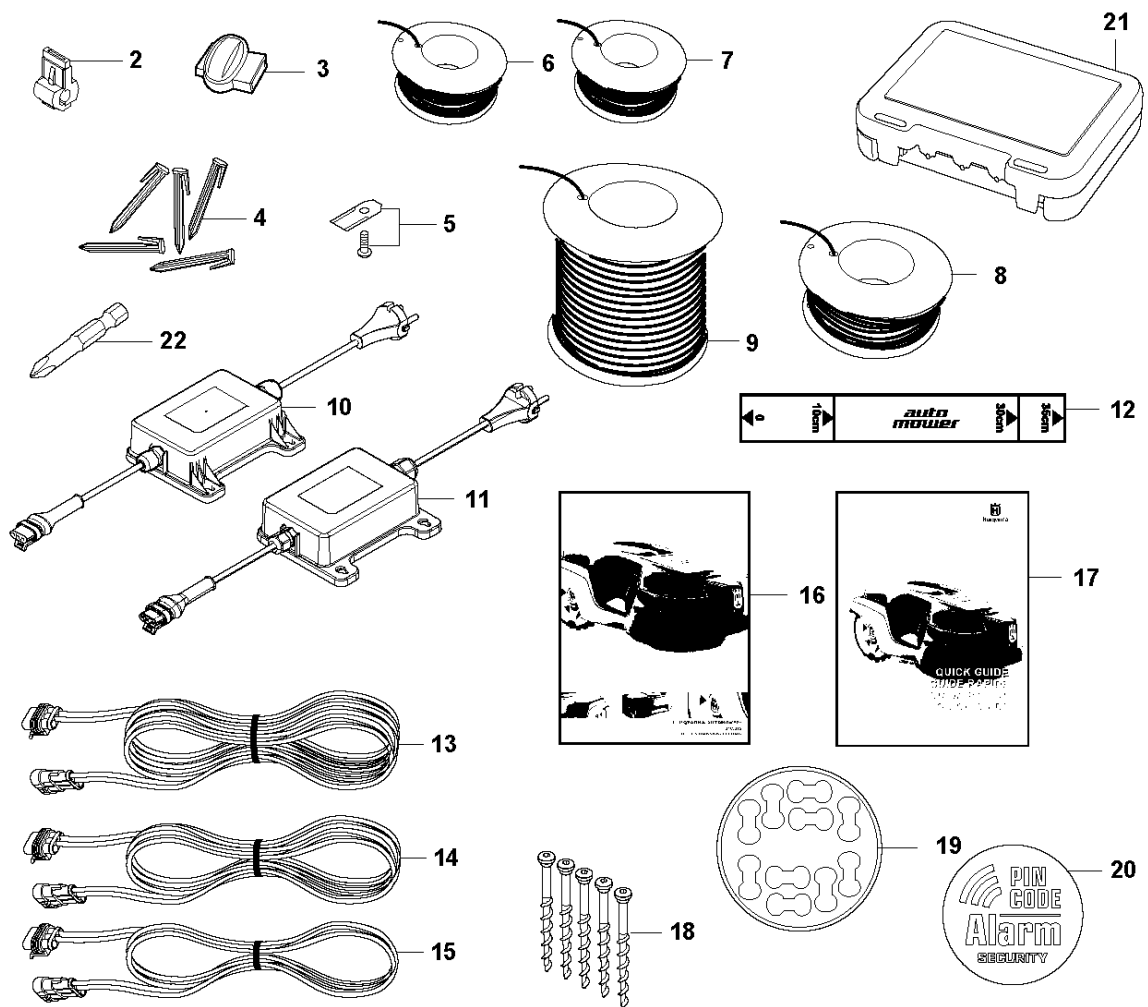
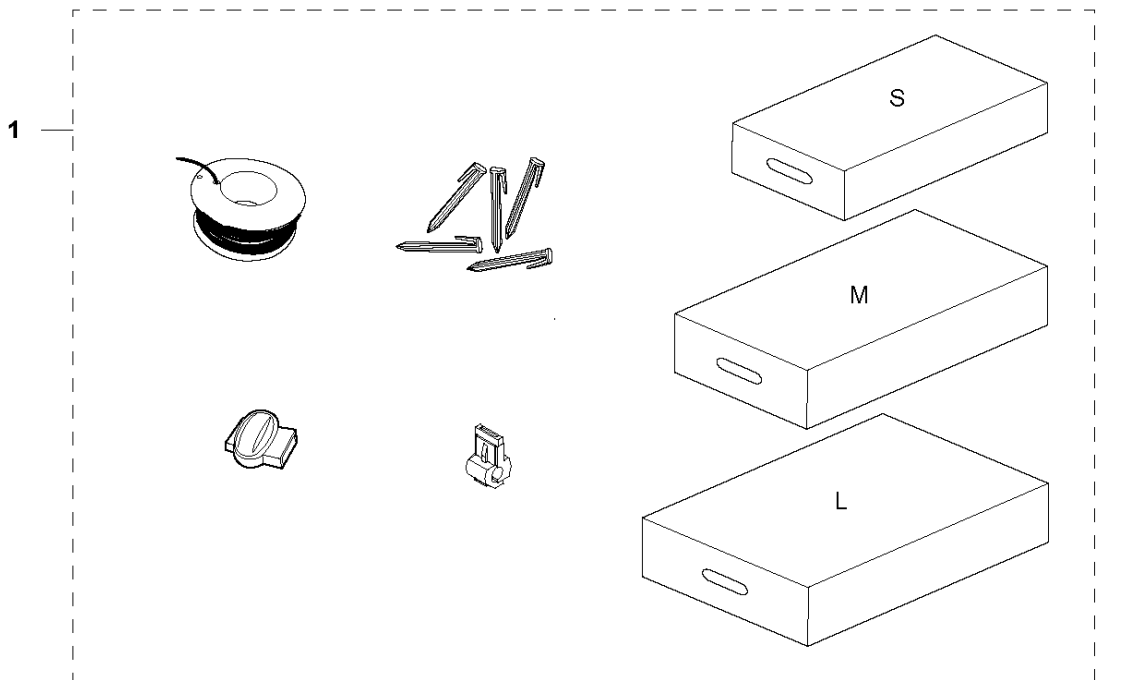


CHARGING STATION

AUTOMOWER 315X, 2020-

| Ref | Part No | Description | Remark | QTY | KIT |
|-----|--------------|----------------------|------------------------------|-----|-----|
| 1 | 585 16 40-02 | CHARGING STATION | Charging Station | 1 | |
| 2 | 585 07 11-02 | CAP | Cap | 1 | |
| 3 | 579 46 24-02 | BUTTON | Button - Release | 1 | |
| 4 | 574 48 70-01 | SPRING | Spring | 1 | |
| 5 | 580 51 14-01 | SPRING | Spring | 2 | |
| 6 | 579 45 80-04 | FRAME | Frame | 1 | |
| 7 | 575 54 33-14 | SCREW | Screw | 4 | |
| 8 | 579 46 05-01 | SPACER | Distance | 2 | |
| 9 | 580 51 14-01 | SPRING | Spring | 2 | |
| 10 | 585 53 95-02 | CABLE ASSY | Loom Charging Contact | 1 | |
| 11 | 734 11 37-41 | WASHER | Washer | 2 | |
| 12 | 575 54 33-14 | SCREW | Screw | 2 | |
| 13 | 575 54 33-14 | SCREW | Screw | 2 | |
| 14 | 590 21 72-01 | LENS | Lens | 1 | |
| 15 | 585 07 14-01 | LID | Lid | 1 | |
| 16 | 580 50 41-01 | TERMINAL | Terminal | 3 | |
| 17 | 579 45 98-01 | PAN | Panel | 1 | |
| 18 | 579 45 99-01 | HOLDER | Holder | 1 | |
| 19 | 588 41 61-01 | HOUSING ASSY | Housing | 1 | |
| 20 | 587 65 15-01 | LOOM KIT | Loom KIT | 1 | 19 |
| 21 | 575 54 33-14 | SCREW | Screw | 4 | |
| 22 | 585 91 93-01 | COVER | Cover | 1 | 23 |
| 23 | 587 65 16-02 | CHARGING PLATE | Charging Plate KIT | 1 | |
| 24 | 592 90 93-02 | PRINTED CIRCUIT ASSY | Printed Circuit ASSY PCBA | 1 | |
| 25 | 590 52 72-01 | CABLE ASSY | Cable Assy | 1 | |

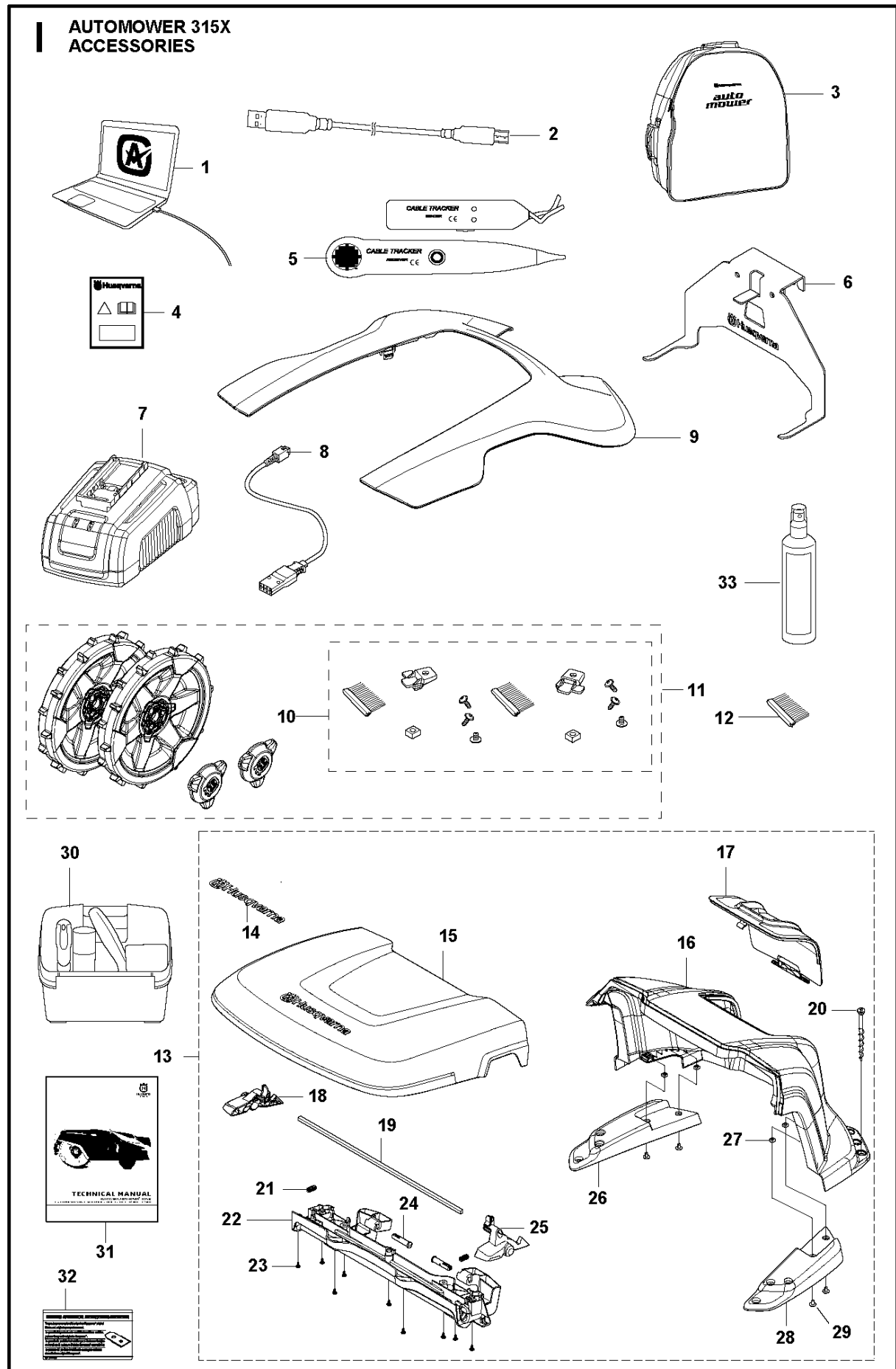
H AUTOMOWER 315X INSTALLATION ACCESSORIES



INSTALLATION ACCESSORIES

AUTOMOWER 315X, 2020-

| Ref | Part No | Description | Remark | QTY KIT |
|-----|--------------|------------------|--|---------|
| 1 | 967 62 36-01 | INSTALLATION KIT | Installation KIT S: Wire (150 m), Staples (300 pcs), | 1 |
| 1 | 967 62 36-02 | INSTALLATION KIT | Installation KIT M: Wire (250 m), Staples (400 pcs), | 1 |
| 1 | 967 62 36-03 | INSTALLATION KIT | Installation KIT L: Wire (400 m), Staples (600 pcs), | 1 |
| 2 | 535 12 90-01 | CONNECTOR | Loop Wire Connector | 1 |
| 2 | 535 12 90-02 | CONNECTOR | Loop Wire Connector, Blister Pack, 100 pcs | 1 |
| 2 | 577 86 48-01 | CONNECTOR | Loop Wire Connector, Blister Pack, 5 pcs | 1 |
| 3 | 501 98 02-01 | COUPLER | Coupler | 1 |
| 3 | 577 86 47-01 | COUPLER | Coupler, Blister Pack, 5 pcs | 2 |
| 3 | 501 98 02-03 | COUPLER | Coupler, 100 pcs | 1 |
| 4 | 583 97 34-01 | STAPLE | Staples, 100 pcs | 1 |
| 5 | 577 86 46-03 | BLADE SET | Long Life - Safety Blade, Blister Pack, 9 pcs | 1 |
| 5 | 577 60 65-05 | BLADE SET | Long Life - Safety Blade, 45 pcs | 1 |
| 5 | 577 60 66-04 | BLADE SET | Long Life - Safety Blade, 300 pcs | 1 |
| 6 | 577 86 43-02 | WIRE | Wire, Blister Pack, (50 m) | 1 |
| 6 | 580 66 20-02 | WIRE | Wire (150 m) | 1 |
| 6 | 577 86 43-01 | WIRE | Wire, Blister Pack, (150 m) | 1 |
| 7 | 580 66 20-01 | WIRE | Wire (250 m) | 1 |
| 8 | 522 91 41-01 | WIRE | Wire (500 m) Ø3,4mm | 1 |
| 9 | 580 66 20-04 | WIRE | Wire (800 m) | 1 |
| 10 | 593 16 36-01 | POWER UNIT | Power Supply Unit EU | 1 |
| 11 | 590 44 22-02 | POWER UNIT | Power Supply Unit UK, IE | 1 |
| 11 | 584 86 26-01 | POWER UNIT | EU | 1 |
| 11 | 590 44 22-03 | POWER UNIT | Power Supply Unit CH | 1 |
| 11 | 584 86 26-04 | POWER UNIT | Power Supply Unit US, CA | 1 |
| 11 | 584 86 26-05 | POWER UNIT | Power Supply Unit AU, NZ | 1 |
| 11 | 584 86 26-06 | POWER UNIT | Power Supply Unit JP | 1 |
| 11 | 584 86 26-07 | POWER UNIT | Power Supply Unit KR | 1 |
| 12 | 544 17 75-01 | MEASURING TAPE | Measuring Tape | 1 |
| 13 | 579 82 51-01 | CABLE ASSY | Low voltage cable 20m | 1 |
| 14 | 579 82 51-02 | CABLE ASSY | Low voltage cable 10m | 1 |
| 15 | 579 82 51-03 | CABLE ASSY | Low voltage cable 3m | 1 |
| 15 | 579 82 51-04 | CABLE ASSY | Low Voltage Cable (5 m) | 1 |
| 18 | 597 43 58-01 | ANCHOR | 6 pcs+Key | 1 |
| 19 | 586 27 79-01 | STICKER | Sticker, Cable Markers, 10 pcs | 1 |
| 20 | 579 57 12-01 | LABEL | Label Alarm | 1 |
| 21 | 590 85 50-01 | BOX | Cable Connector Protection | 1 |



ACCESSORIES

AUTOMOWER 315X, 2020-

| Ref | Part No | Description | Remark | QTY | KIT |
|-----|--------------|-----------------|--|-----|-----|
| 2 | 577 51 81-02 | CABLE | Service Cable (USB) | 2 | |
| 3 | 522 91 67-01 | BAG | Bag | 2 | |
| 4 | 580 68 95-02 | LABEL | Warranty Seal 1pcs | 2 | |
| 5 | 577 60 68-01 | TEST EQUIPMENT | Interruption Detector | 2 | |
| 6 | 587 22 40-01 | WALL HANGER | Wallhanger 310/315/315X | 2 | |
| 7 | 588 40 84-01 | CHARGER | Quick Charger with Battery Test | 2 | |
| 8 | 588 20 26-01 | CABLE ASSY | Cable Quick Charger | 2 | |
| 9 | 590 87 69-01 | BODY KIT | Top Cover Robotic Grey | 2 | |
| 9 | 590 87 69-02 | BODY KIT | Top Cover White | 2 | |
| 9 | 590 87 69-03 | BODY KIT | Top Cover Orange | 2 | |
| 10 | 587 23 57-01 | BRUSH KIT | Wheel Brush KIT (Holder x2, Brush x6) | 2 | 11 |
| 11 | 587 23 53-01 | WHEEL KIT | Terrain KIT (Brush KIT + Rear wheels) | 2 | |
| 12 | 505 13 28-03 | BRUSH | Brush, 6 pcs | 2 | |
| 13 | 587 23 61-01 | HOUSING | House KIT | 2 | |
| 14 | 577 46 90-01 | DECAL | Decal | 2 | 13 |
| 15 | 585 32 35-01 | COVER | Lid | 2 | 13 |
| 16 | 586 99 38-01 | COVER | Cover Base | 2 | 13 |
| 17 | 585 32 36-01 | HATCH | Hatch | 6 | 13 |
| 18 | 585 32 40-02 | HANDLE | Handle Left | 2 | 13 |
| 19 | 585 32 41-01 | ROD | Rod | 1 | 13 |
| 20 | 575 23 86-01 | SCREW KIT | Screw KIT, 6 pcs | 8 | 13 |
| 21 | 580 51 14-01 | SPRING | Spring | 2 | 13 |
| 22 | 585 34 16-01 | BEAM | Beam | 2 | 13 |
| 23 | 575 54 33-14 | SCREW | Screw | 2 | 13 |
| 24 | 585 34 15-01 | HINGE PIN | Hinge Pin | 2 | 13 |
| 25 | 585 32 40-01 | HANDLE | Handle Right | 2 | 13 |
| 26 | 585 32 38-02 | SUPPORT | Support Left | | 13 |
| 27 | 503 22 66-01 | SQUARE NUT | Square Nut | | 13 |
| 28 | 585 32 38-01 | SUPPORT | Support Right | | 13 |
| 29 | 535 12 93-03 | SCREW IH PANM | Screw | | 13 |
| 30 | 590 85 51-01 | KIT | Maintenance and cleaning kit | | |
| 31 | 115 82 03-01 | WORKSHOP MANUAL | Technical Handbook -310, 315, Sileno: Swedish | | |
| 31 | 115 82 03-06 | WORKSHOP MANUAL | Technical Handbook -310, 315, Sileno: Danish | | |
| 31 | 115 82 03-11 | WORKSHOP MANUAL | Technical Handbook -310, 315, Sileno: Finnish | | |
| 31 | 115 82 03-21 | WORKSHOP MANUAL | Technical Handbook -310, 315, Sileno: Norwegian | | |
| 31 | 115 82 03-26 | WORKSHOP MANUAL | Technical Handbook -310, 315, Sileno: English | | |
| 31 | 115 82 03-31 | WORKSHOP MANUAL | Technical Handbook -310, 315, Sileno: French | | |
| 31 | 115 82 03-36 | WORKSHOP MANUAL | Technical Handbook -310, 315, Sileno: Dutch | | |
| 31 | 115 82 03-41 | WORKSHOP MANUAL | Technical Handbook -310, 315, Sileno: Italian | | |
| 31 | 115 82 03-46 | WORKSHOP MANUAL | Technical Handbook -310, 315, Sileno: Spanish | | |
| 31 | 115 82 03-51 | WORKSHOP MANUAL | Technical Handbook -310, 315, Sileno: German | | |
| 31 | 115820356 | TBD | Technical Handbook -310, 315, Sileno: Russian | | |
| 31 | 115820358 | TBD | Technical Handbook -310, 315, Sileno: Hungarian | | |
| 31 | 115820359 | TBD | Technical Handbook -310, 315, Sileno: Portuguese | | |
| 31 | 115820361 | TBD | Technical Handbook -310, 315, Sileno: Polish | | |
| 31 | 115820362 | TBD | Technical Handbook -310, 315, Sileno: Romanian | | |
| 31 | 115820363 | TBD | Technical Handbook -310, 315, Sileno: Estonian | | |

ACCESSORIES

AUTOMOWER 315X, 2020-

| Ref | Part No | Description | Remark | QTY KIT |
|-----|--------------|-----------------|---|---------|
| 31 | 115820364 | TBD | Technical Handbook -310, 315, Sileno: Latvian | |
| 31 | 115820365 | TBD | Technical Handbook -310, 315, Sileno: Lithuanian | |
| 31 | 115820368 | TBD | Technical Handbook -310, 315, Sileno: Slovakian | |
| 31 | 115820371 | TBD | Technical Handbook -310, 315, Sileno: Greek | |
| 31 | 115820376 | TBD | Technical Handbook -310, 315, Sileno: Turkish | |
| 31 | 115820379 | TBD | Technical Handbook -310, 315, Sileno: Japanese | |
| 31 | 115820381 | TBD | Technical Handbook -310, 315, Sileno: Croatian | |
| 31 | 115 82 03-84 | WORKSHOP MANUAL | Technical Handbook -310, 315, Sileno: Slovenian | |
| 31 | 115820390 | TBD | Technical Handbook -310, 315, Sileno: Czech | |
| 31 | 115820396 | TBD | Technical Handbook -310, 315, Sileno: Spanish (USA) | |
| 32 | 591 37 41-01 | DECAL | Original Parts sticker SV NO DK FI | |
| 32 | 591 37 41-02 | DECAL | Original Parts sticker DE FR NL IT | |
| 32 | 591 37 41-03 | DECAL | Original Parts sticker EN ES FR IT | |
| 33 | 593 96 79-01 | SPRAY | | 1 |