

Rider 970-12

Rider 970-12S

Rider 970-12,5K



1.1991

Spare parts

Ersatzteile

Pièces détachées

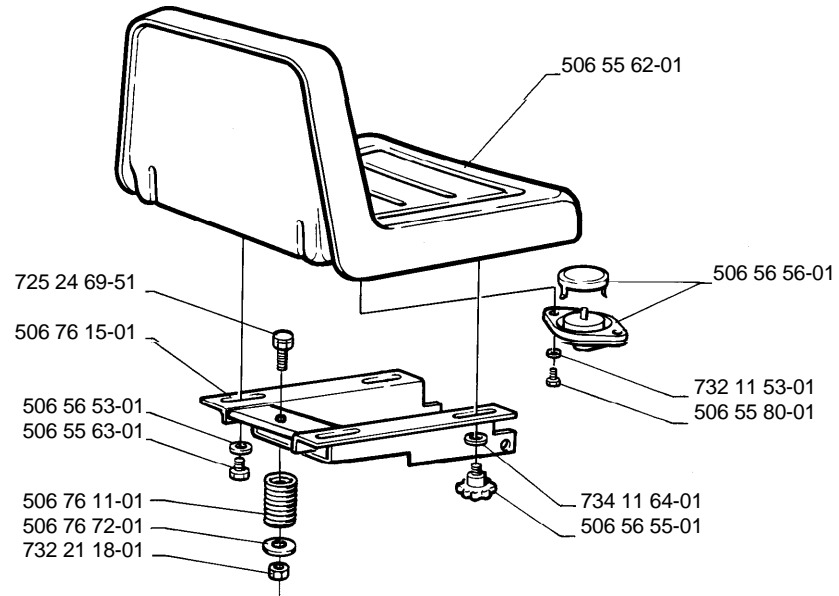
Reserve onderdelen

Repuestos

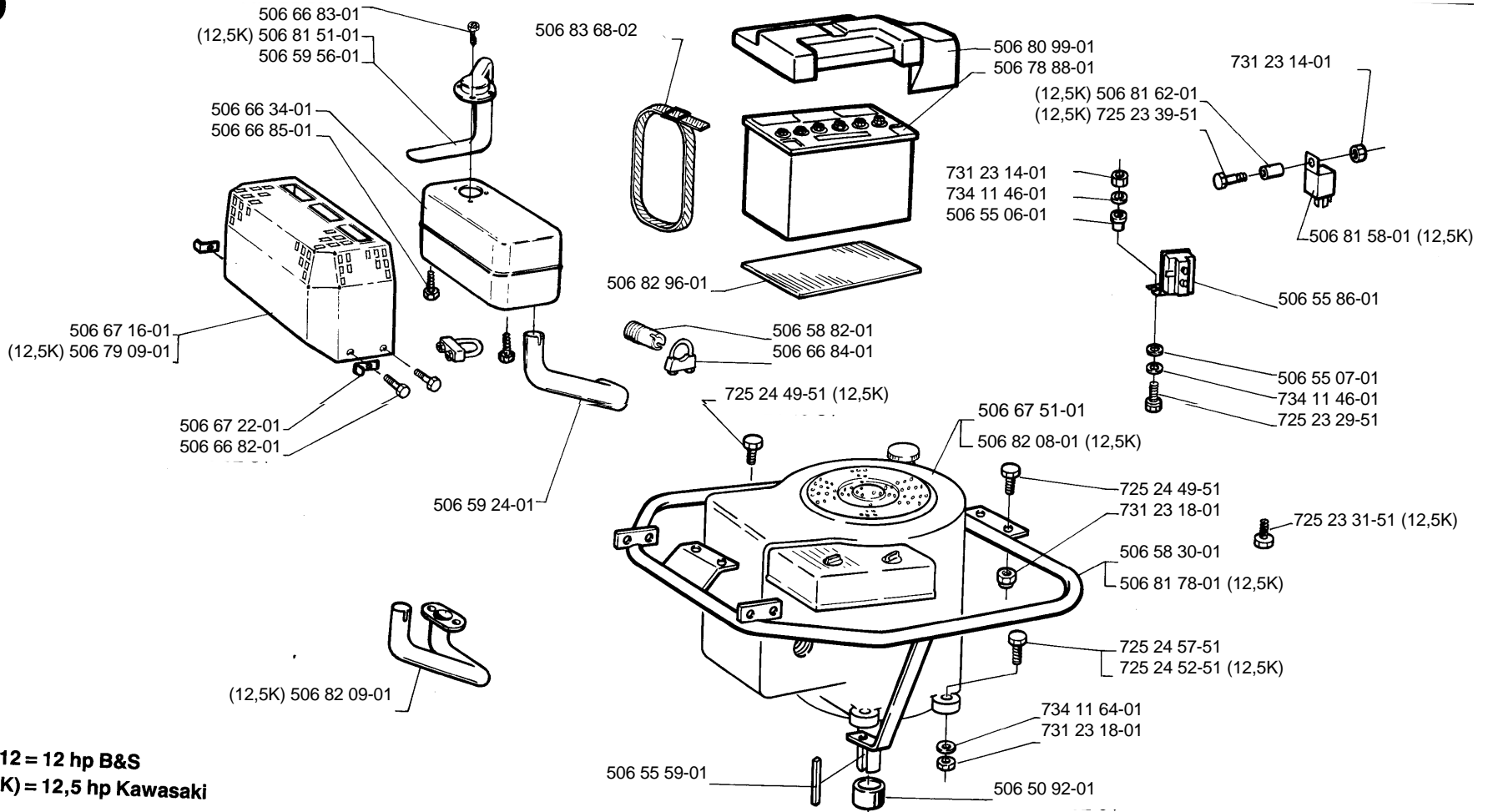
Reservdelar

106 23 45-61

A

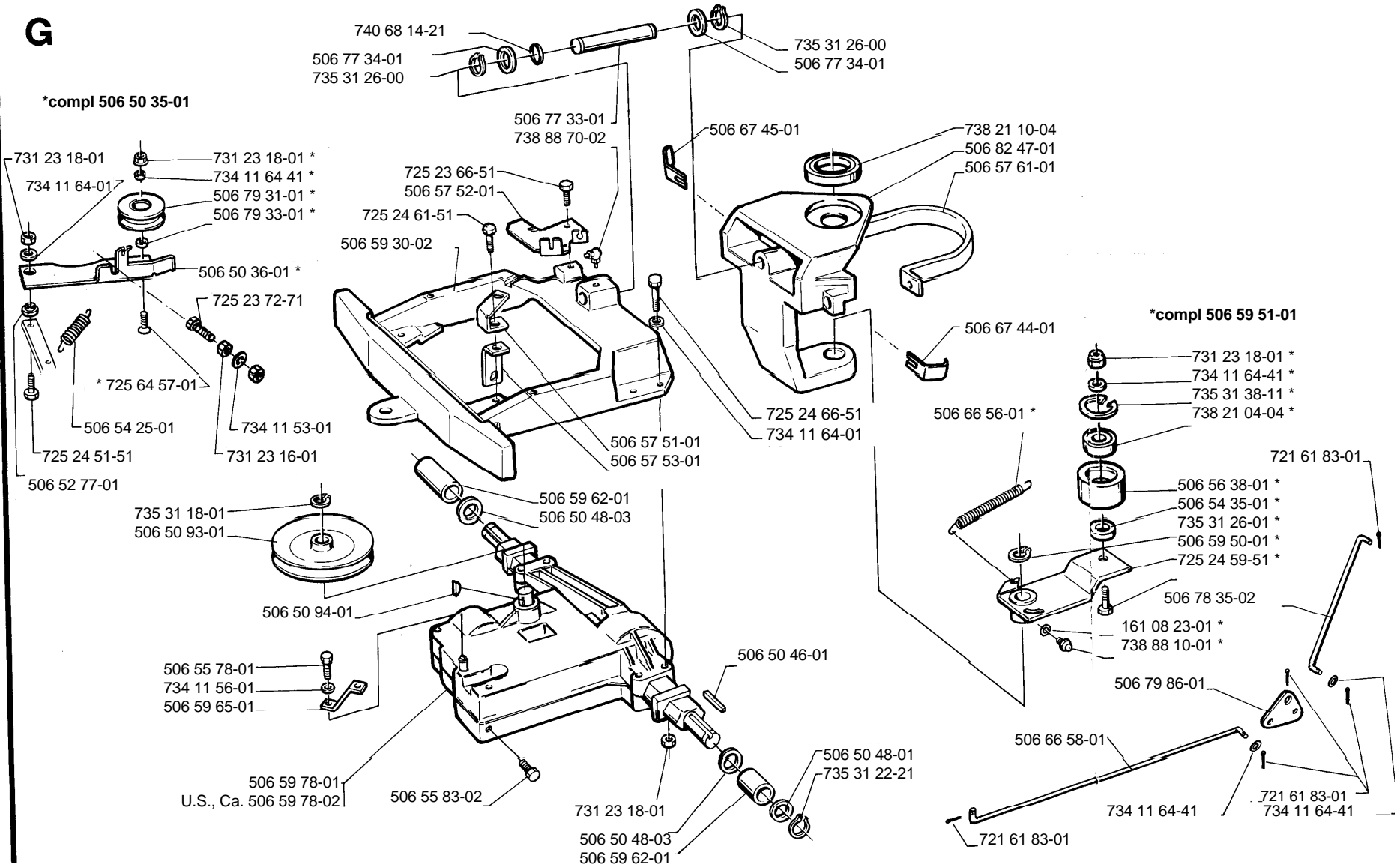


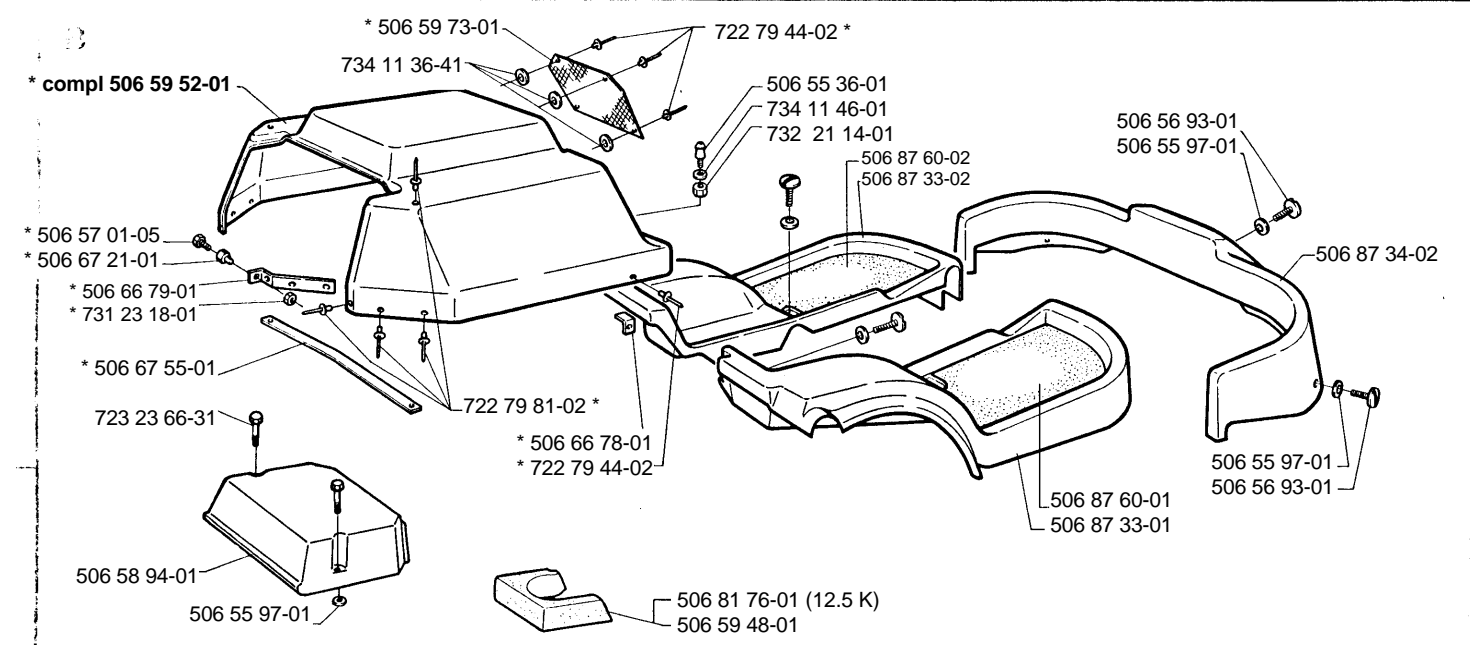
D



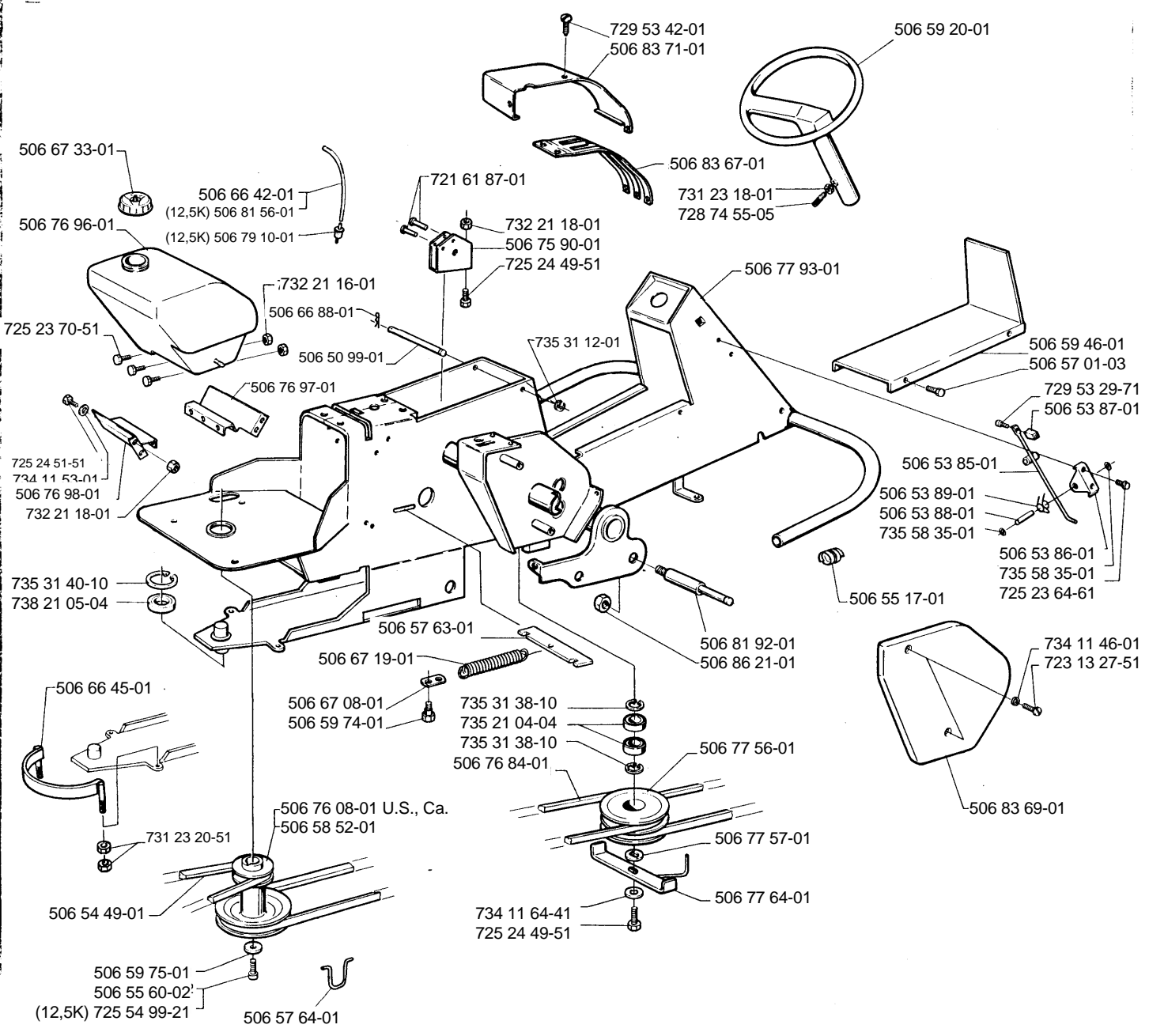
970-12 = 12 hp B&S
(12,5K) = 12,5 hp Kawasaki

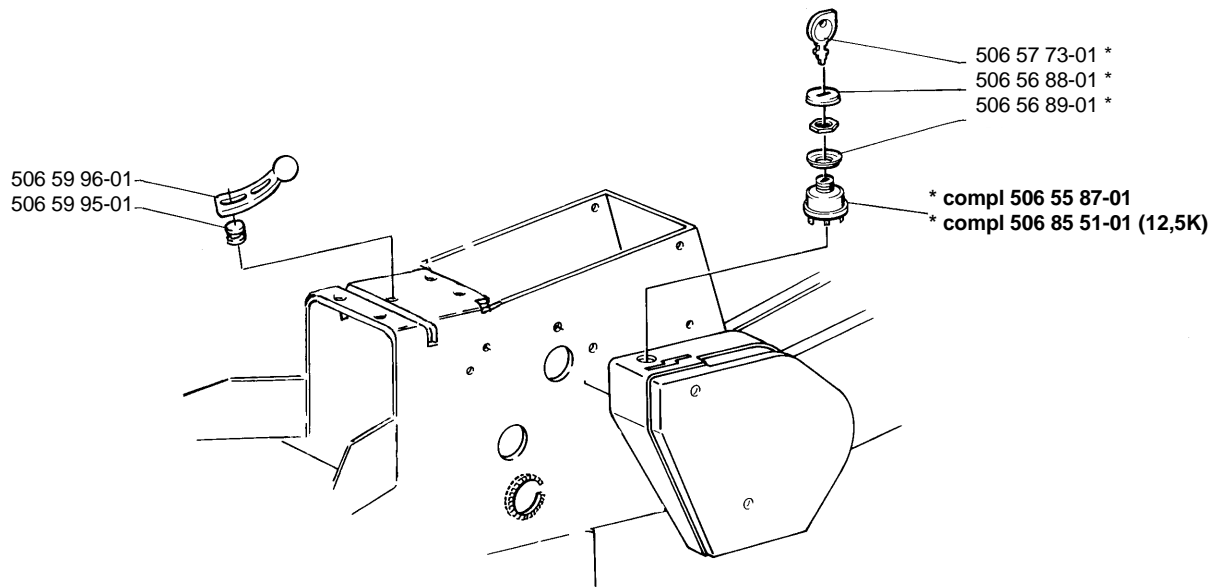
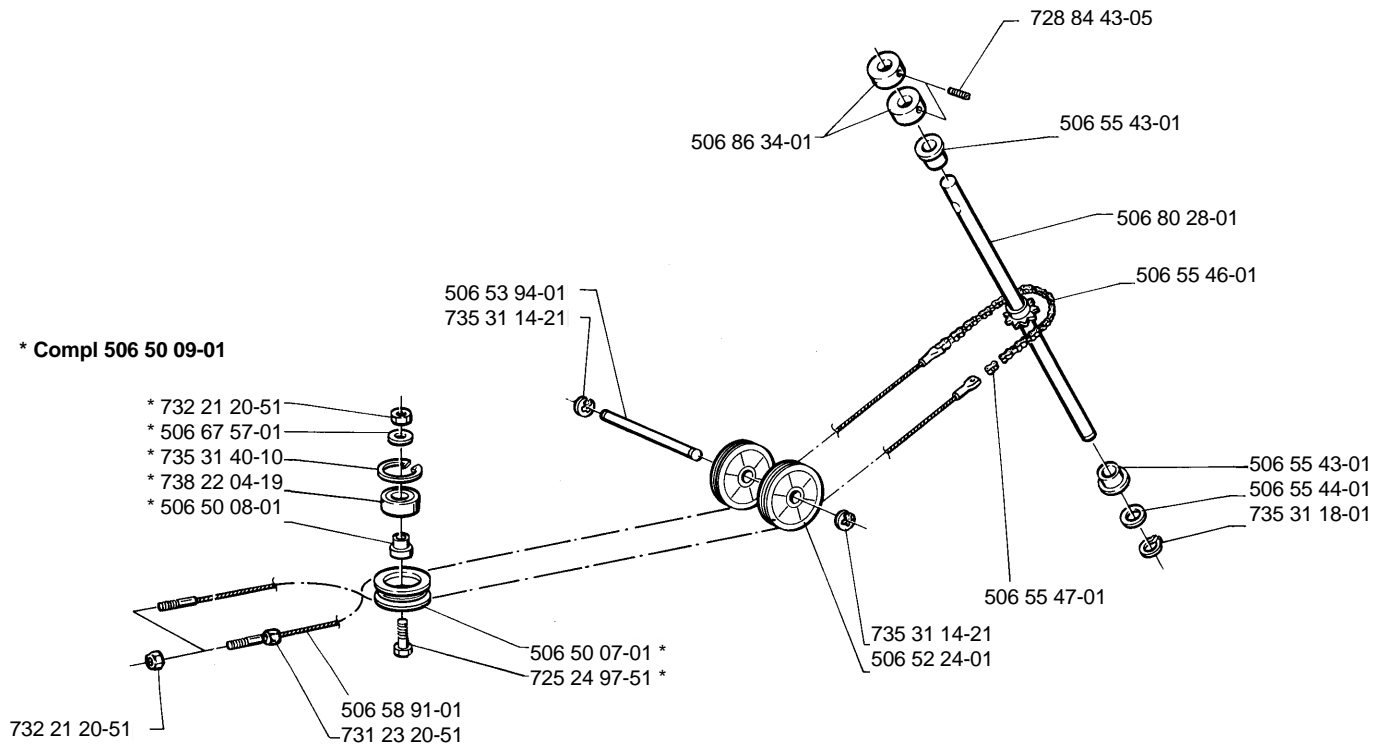
G



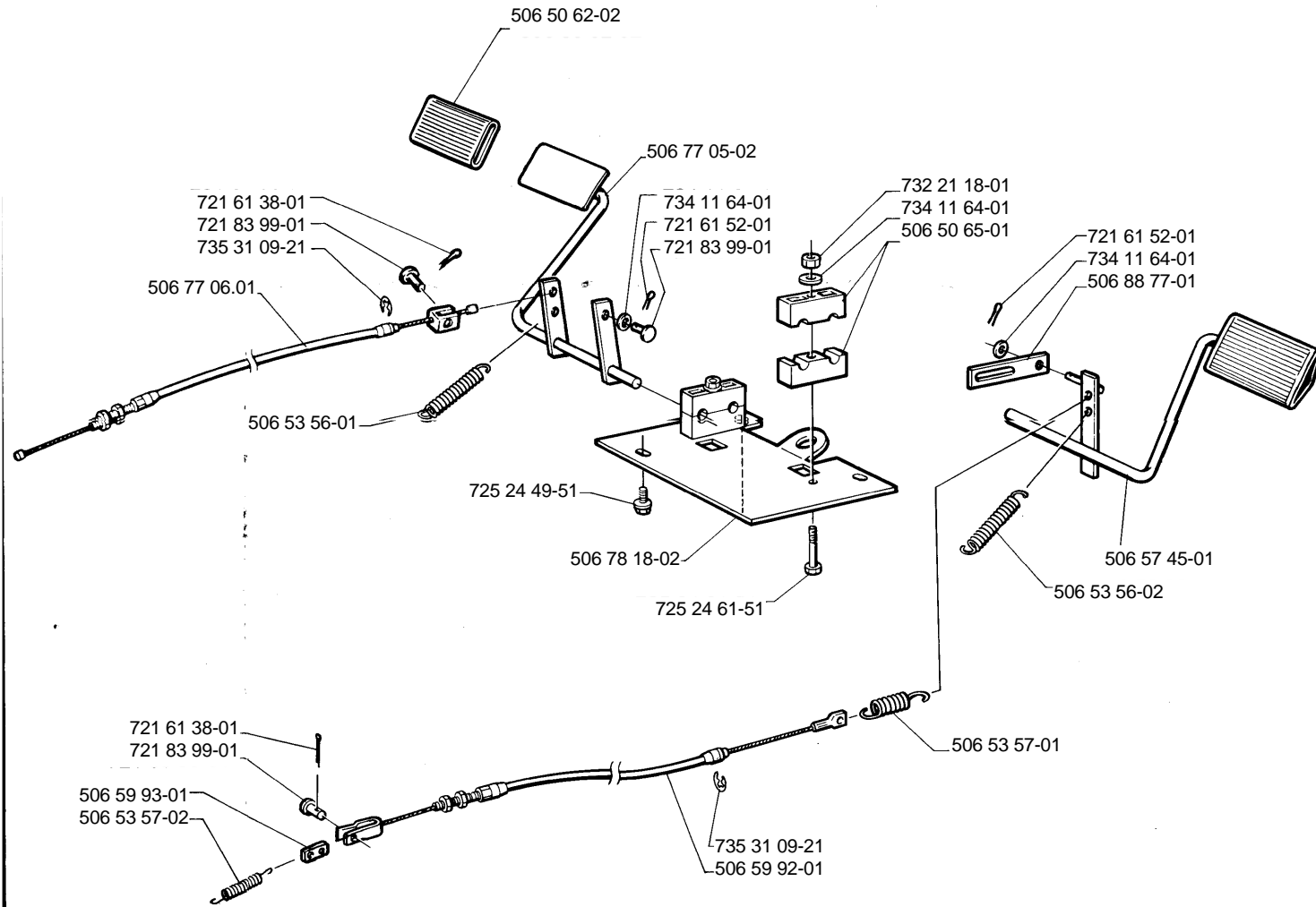


5K)

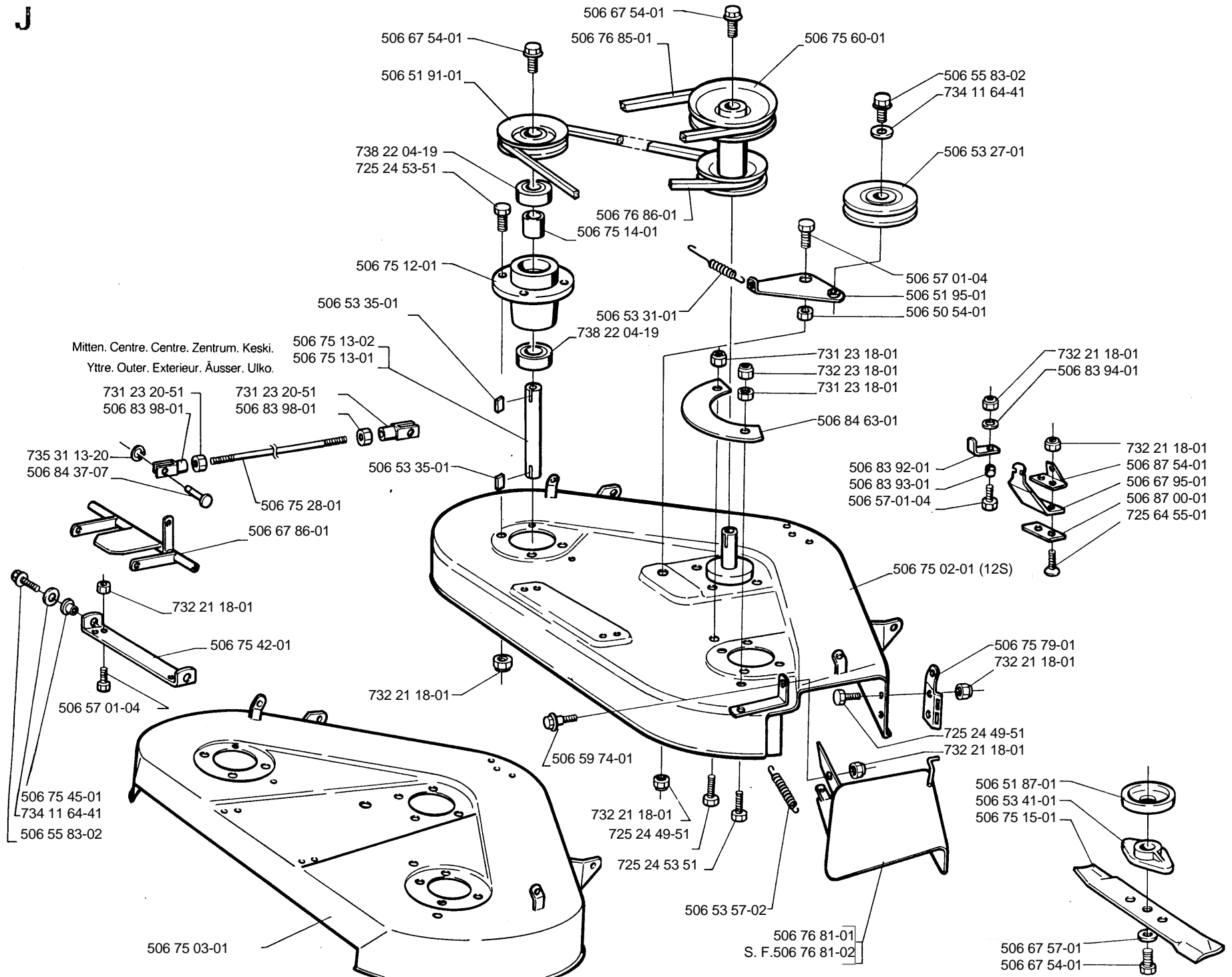


C**F**

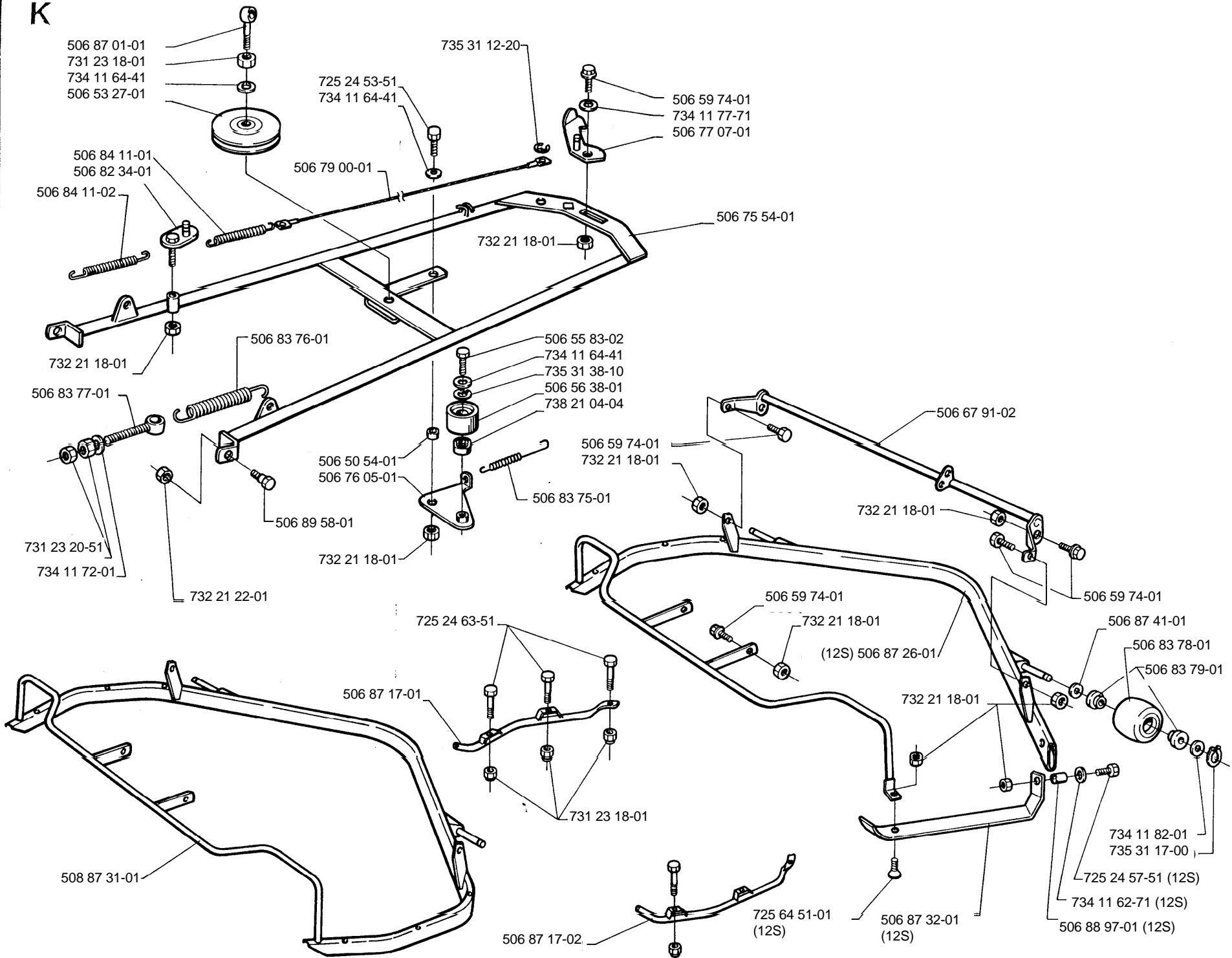
H



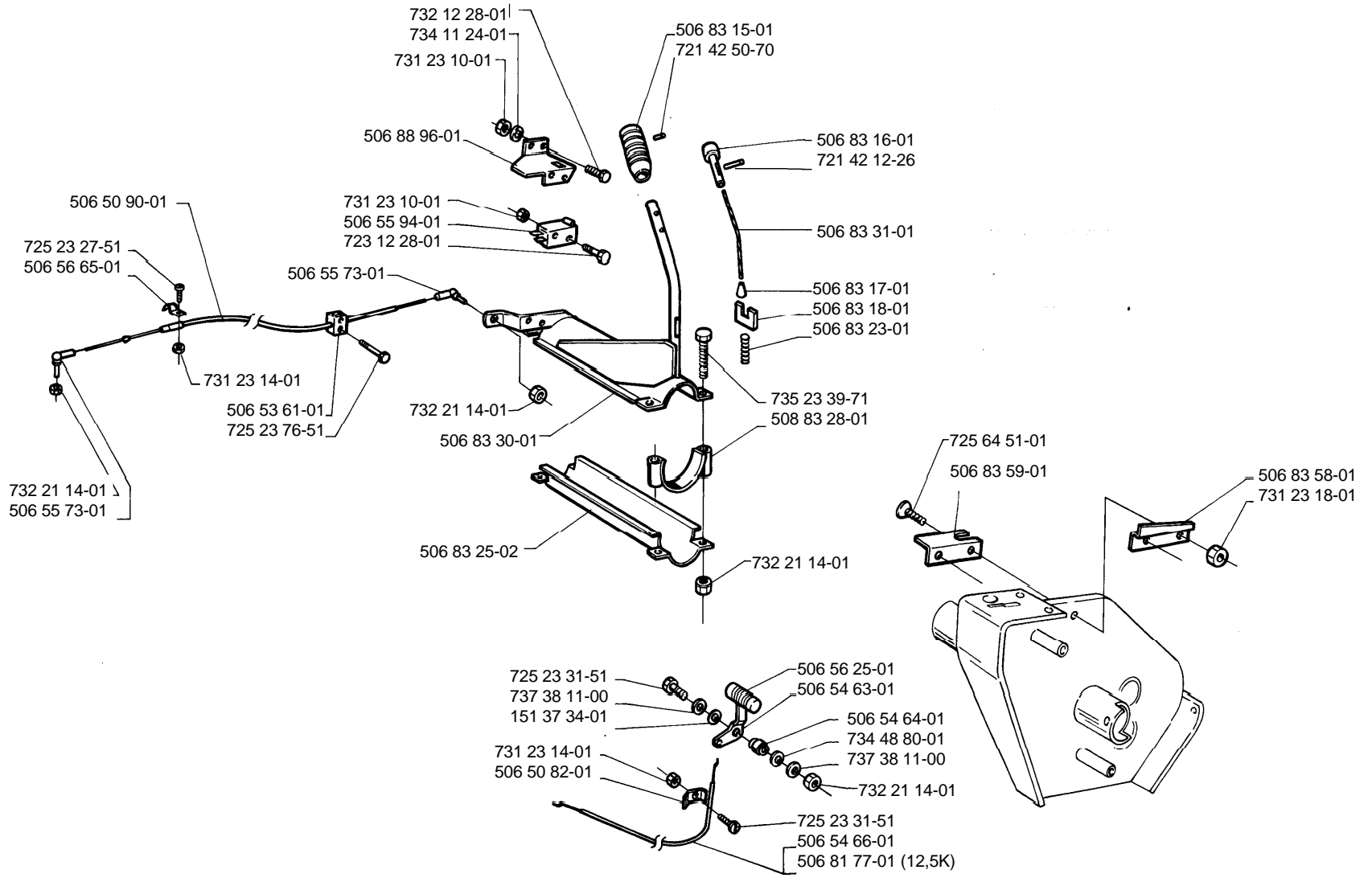
J



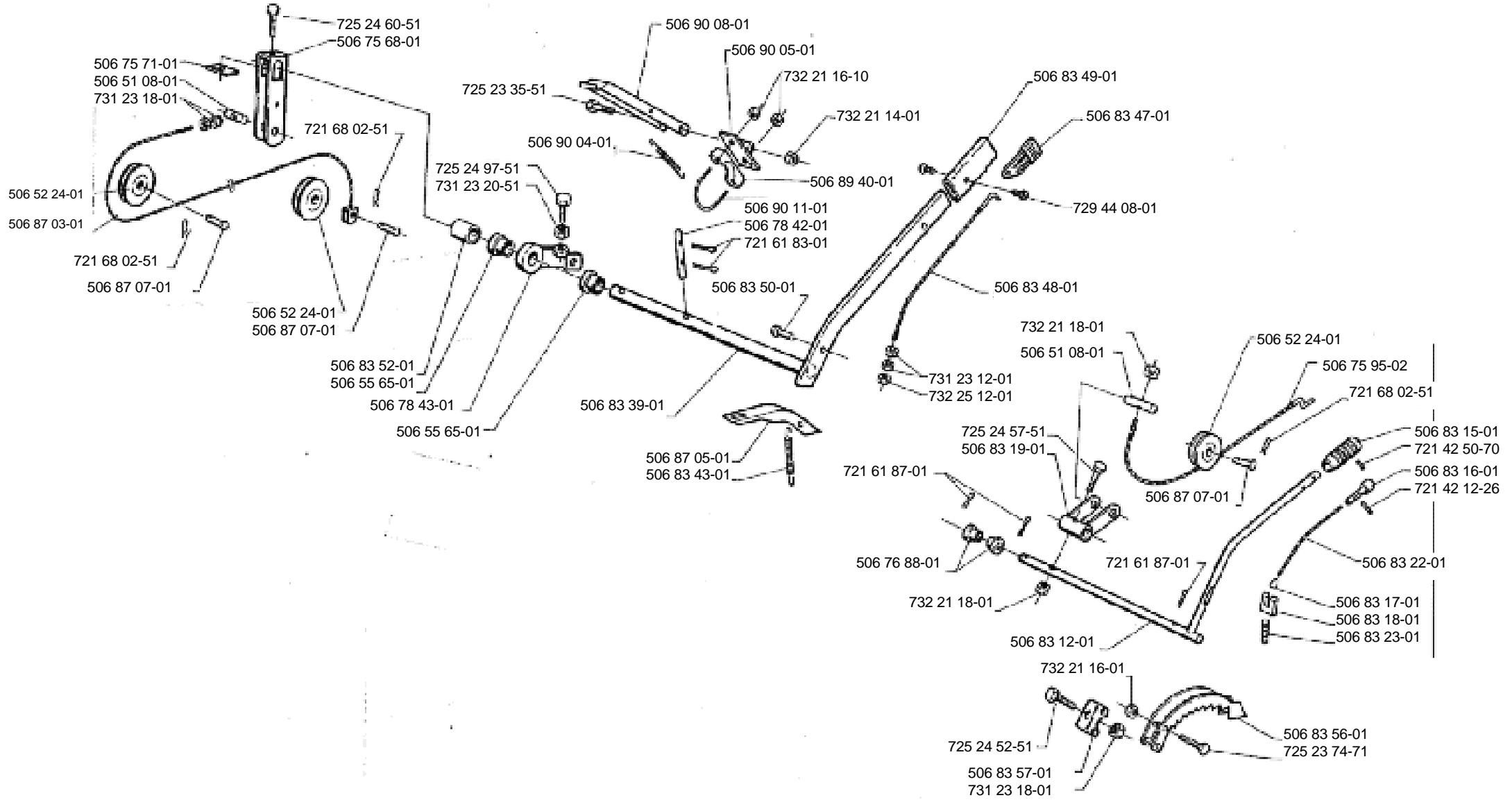
K



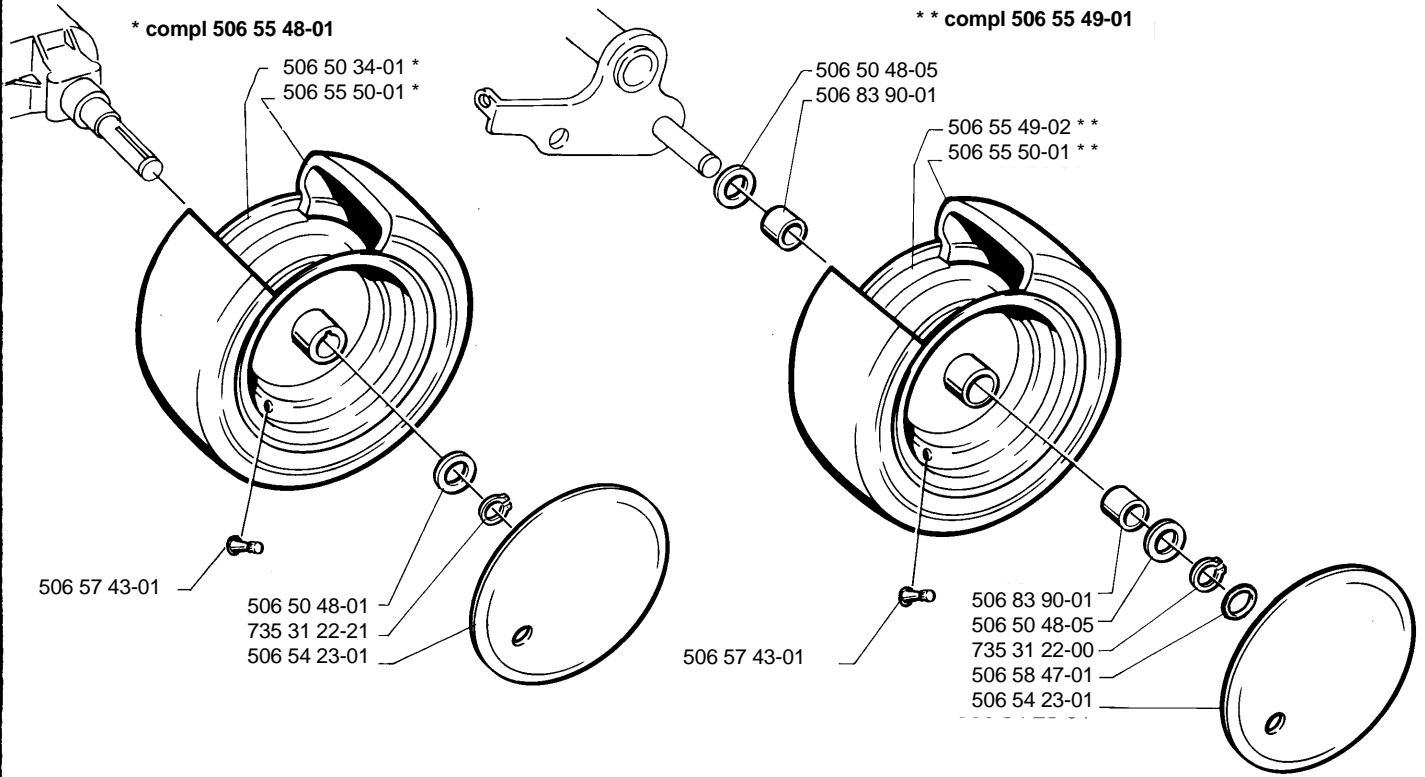
N



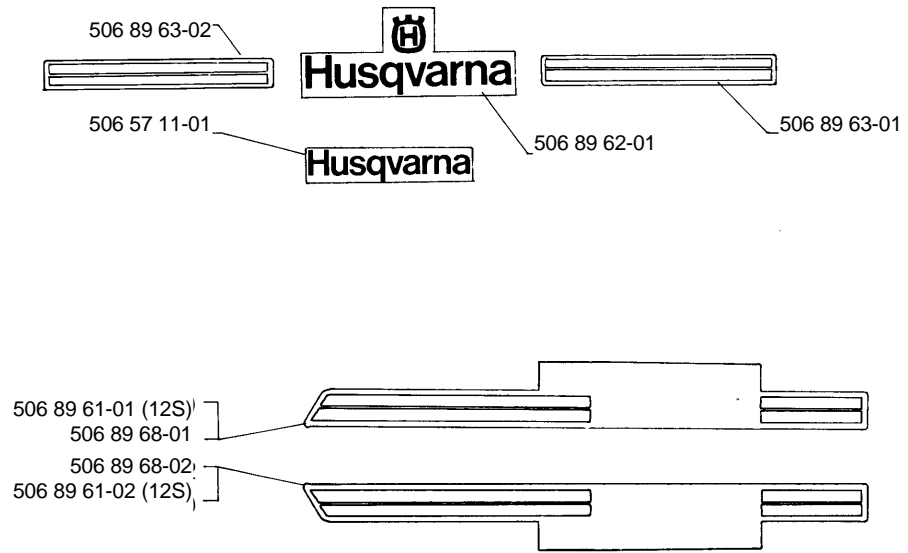
N



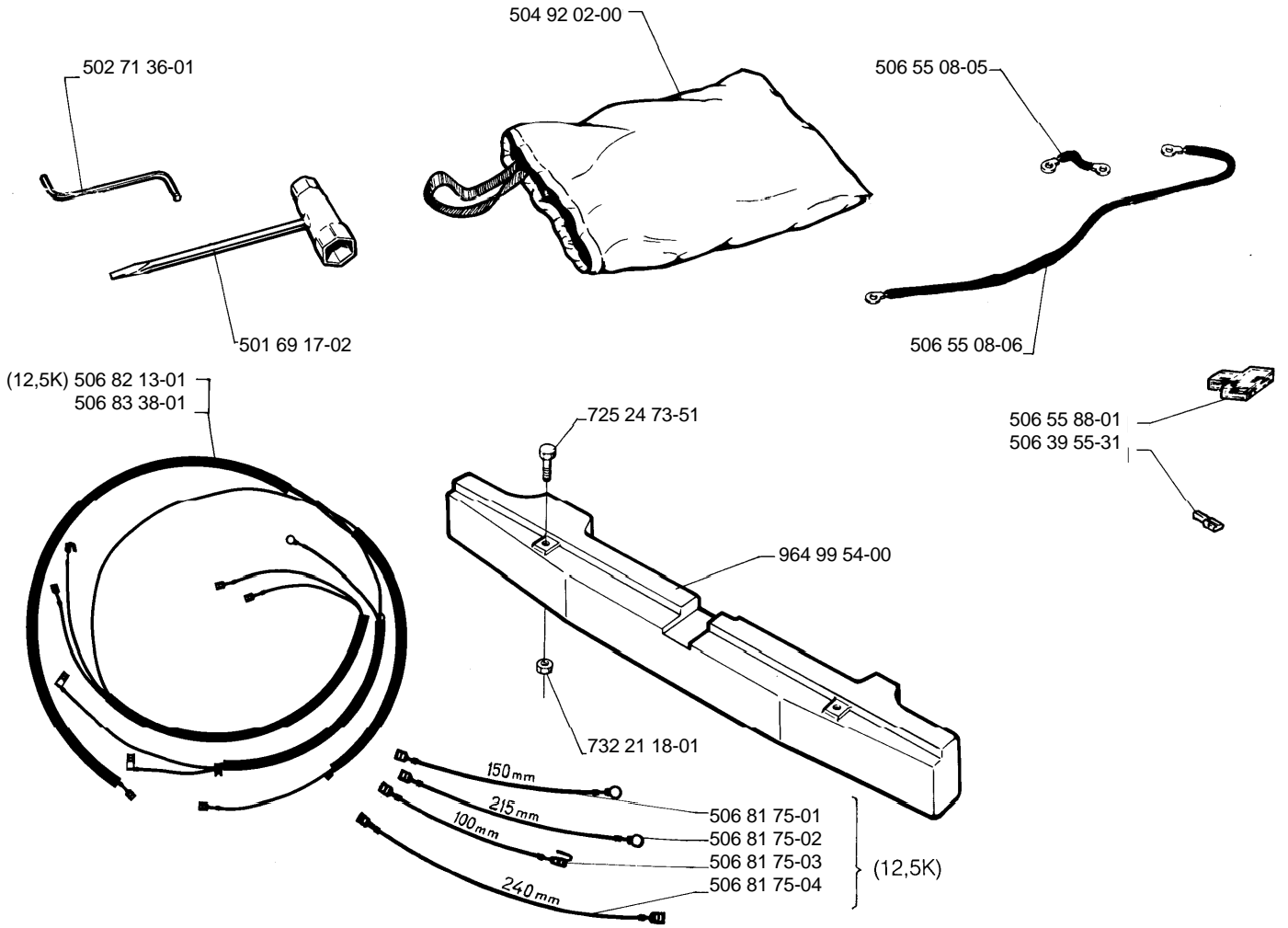
L



M



P



Model number R970

Ref. No. Teil-Nr. Nº de réf. Nº ref. Ref. No. Ref. nr.	Square Viereck Carreau Cuadro Vak Ruta	Ref. No. Teil-Nr. Nº de réf. Nº ref. Ref. No. Ref. nr.	Square Viereck Carreau Cuadro Vak Ruta	Ref. No. Teil-Nr. Nº de réf. Nº ref. Ref. No. Ref. nr.	Square Viereck Carreau Cuadro Vak Ruta	Ref. No. Teil-Nr. Nº de réf. Nº ref. Ref. No. Ref. nr.	Square Viereck Carreau Cuadro Vak Ruta
161 08 23-01	C	506 59 50-01	C	506 83 17-01	N	725 23 64-51	E
506 39 55-31	P	506 59 51-01	C	506 83 18-01	N	725 23 66-51	G
506 50 07-01	D	506 59 53-01	B	506 83 19-01	N	725 23 70-51	E
506 50 08-01	D	506 59 62-01	C	506 83 22-01	N	725 23 72-71	G
506 50 09-01	D	506 59 65-01	C	506 83 23-01	N	725 23 74-71	N
506 50 29-01	C	506 59 73-01	A	506 83 25-02	N	725 23 76-51	N
506 50 34-01	O	506 59 74-01	A	506 83 28-01	N	725 24 49-51	D,E,H,J
506 50 35-01	C	506 59 92-01	G	506 83 30-01	N	725 24 51-51	G,E
506 50 36-01	C	506 66 34-01	D	506 83 31-01	N	725 24 52-51	D,N
506 50 39-01	C	506 66 42-01	B	506 83 38-01	N	725 24 53-51	J,K
506 50 46-01	C	506 66 45-01	B	506 83 39-01	N	725 24 57-51	D,K,N
506 50 48-01	C	506 66 56-01	C	506 83 43-01	N	725 24 59-51	G
506 50 48-03	C	506 66 58-01	C	506 83 47-01	N	725 24 60-51	N
506 50 48-05	L	506 66 78-01	A	506 83 48-01	N	725 24 61-51	G,H
506 50 54-01	I	506 66 79-01	A	506 83 49-01	N	725 24 63-51	K
506 50 62-02	G	506 66 88-01	E	506 83 50-01	N	725 24 66-51	G
506 50 82-01	P	506 67 33-01	B	506 83 52-01	N	725 24 69-51	A
506 50 90-01	P	506 67 86-01	J	506 83 56-01	N	725 24 73-51	P
506 50 93-01	C	506 67 91-02	K	506 83 57-01	N	725 24 97-51	F,N
506 50 94-01	C	506 67 95-01	J	506 83 58-01	N	725 54 99-21	E
506 50 99-01	B	506 75 02-01	J	506 83 59-01	N	725 64 51-01	K,N
506 51 08-01	P	506 75 03-01	J	506 83 67-01	E	725 64 55-01	G,J
506 51 87-01	I	506 75 12-01	J	506 83 69-01	E	728 74 55-05	E
506 51 91-01	I	506 75 13-01	J	506 83 71-01	E	728 84 43-05	F
506 51 95-01	I	506 75 13-02	J	506 83 75-01	K	725 44 08-01	N
506 52 24-01	D	506 75 14-01	J	506 83 76-01	K	729 53 29-71	E
506 52 77-01	C	506 75 15-01	J	506 83 77-01	K	729 53 42-01	E
506 53 27-01	I	506 75 28-01	J	506 83 78-01	K	731 23 10-01	N
506 53 31-01	I	506 75 42-01	J	506 83 79-01	K	731 23 12-01	N
506 53 35-01	I	506 75 45-01	J	506 83 90-01	L	731 23 14-01	D,N
506 53 41-01	I	506 75 54-01	K	506 83 92-01	J	731 23 16-01	G
506 53 56-01	G	506 75 60-01	J	506 83 93-01	J	731 23 18-01	BDEGJKN
506 53 56-01	G	506 75 68-01	N	506 83 94-01	J	731 23 20-51	E,F,J,N
506 53 57-01	G	506 75 71-01	N	506 83 98-01	J	732 11 53-01	A
506 53 57-02	G	506 75 79-01	J	506 84 11-01	K	732 12 28-01	N
506 53 61-01	P	506 75 90-01	E	506 84 11-02	K	732 21 14-01	B,N
506 53 85-01	B	506 75 95-02	N	506 84 37-07	J	732 21 16-01	E,N
506 53 86-01	B	506 76 05-01	K	506 84 63-01	J	732 21 18-01	AEPHJKN
506 53 87-01	B	506 76 08-01	E	506 86 21-01	E	732 21 20-51	F,K
506 53 88-01	B	506 76 11-01	A	506 86 34-01	F	732 21 22-01	K
506 53 89-01	B	506 76 15-01	A	506 86 51-01	C	732 23 18-01	J,K
506 53 94-01	D	506 76 72-01	A	506 87 00-01	J	732 25 12-01	N
506 54 23-01	O	506 76 81-01	J	506 87 01-01	K	734 11 24-01	N
506 54 25-01	O	506 76 81-02	J	506 87 03-01	N	734 11 36-41	B
506 54 35-01	C	506 76 84-01	E	506 87 05-01	N	734 11 46-01	B,D,E
506 54 49-01	B	506 76 85-01	J	506 87 07-01	N	734 11 53-01	G,E
506 54 63-01	P	506 76 86-01	J	506 87 17-01	K	734 11 56-01	G
506 54 64-01	P	506 76 88-01	N	506 87 26-01	K	734 11 62-71	K
506 54 66-01	P	506 76 96-01	B	506 87 32-01	K	734 11 64-01	A,D,G,H
506 55 08-04	P	506 76 97-01	B	506 87 33-01	B	734 11 64-41	G,E,J,K
506 55 08-01	P	506 76 98-01	B	506 87 33-02	B	734 11 72-01	K
506 55 17-01	B	506 77 05-02	H	506 87 34-02	B	734 11 77-71	K
506 55 43-01	D	506 77 06-01	H	506 87 41-01	K	734 11 82-01	K
506 55 44-01	D	506 77 07-01	K	506 87 54-01	J	734 48 80-01	N
506 55 46-01	D	506 77 33-01	G	506 87 60-01	B	735 31 09-21	H
506 55 47-01	D	506 77 34-01	G	506 87 60-02	B	735 31 12-01	E
506 55 48-01	L	506 77 56-01	E	506 88 77-01	H	735 31 12-20	K
506 55 49-01	L	506 77 57-01	E	506 88 96-01	N	735 31 13-20	J
506 55 49-02	L	506 77 64-01	E	506 88 97-01	K	735 31 14-21	F
506 55 50-01	O	506 77 93-01	E	506 89 40-01	N	735 31 17-00	K
506 55 65-01	P	506 78 18-02	H	506 89 58-01	K	735 31 18-01	F,G
506 55 73-01	P	506 78 35-02	G	506 89 61-01	M	735 31 22-00	L
506 55 78-01	C	506 78 42-01	N	506 89 61-02	M	735 31 22-21	G,L
506 55 83-01	F	506 78 43-01	N	506 89 62-01	M	735 31 26-00	G
506 55 83-02	C	506 78 88-01	D	506 89 63-01	M	735 31 26-01	G
506 55 97-01	A	506 79 00-01	K	506 89 63-02	M	735 31 38-10	E,K
506 56 25-01	P	506 79 09-01	D	506 89 69-01	M	735 31 38-11	G
506 56 26-01	D	506 79 10-01	E	506 89 68-02	M	735 31 40-10	E,F
506 56 38-01	P	506 79 31-01	C	504 90 04-01	N	735 58 35-01	E
506 56 39-01	P	506 79 33-01	G	504 90 05-01	N	737 38 11-00	N
506 57 01-03	B	506 79 46-01	G	506 90 08-01	N	738 21 04-04	G,E,K
506 57 01-04	H	506 79 86-01	G	506 90 11-01	N	738 21 05-04	E
506 57 11-01	E	506 80 28-01	F	721 42 12-26	N	738 21 10-04	E
506 57 43-01	O	506 80 99-01	D	721 42 50-70	N	738 22 04-19	F,J
506 57 45-01	G	506 81 51-01	D	721 61 38-01	H	738 88 10-01	G
506 57 51-01	C	506 81 56-01	E	721 61 52-01	H	738 88 70-02	G
506 57 52-01	C	506 81 58-01	D	721 61 83-01	G,N	740 68 14-21	G
506 57 53-01	C	506 81 62-01	D	721 61 87-01	E,N		
506 57 55-01	C	506 81 77-01	N	721 68 02-51	N		
506 57 61-01	C	506 81 78-01	D	721 83 99-01	H		
506 57 63-01	B	506 81 92-01	E	721 79 44-02	B		
506 57 64-01	B	506 82 08-01	D	722 79 81-02	B		
506 58 52-01	B	506 82 09-01	D	723 13 27-51	E		
506 58 91-01	D	506 82 13-01	P	723 23 66-31	B		
506 58 94-01	A	506 82 34-01	K	725 23 27-51	N		
506 58 97-01	C	506 82 47-01	G	725 23 29-51	D		
506 59 20-01	B	506 82 96-01	D	725 23 31-51	D,N		
506 59 30-02	G	506 83 12-01	N	725 23 35-51	N		
506 59 46-01	B	506 83 15-01	N	725 23 39-51	D		
506 59 48-01	A	506 83 16-01	N	725 23 39-71	N		