

Rider

970-12/12S/12,5K



1.1994

Spare parts

Ersatzteile

Pièces détachées

Reserve onderdelen

Repuestos

Reservdelar

Replaces

Ersetzt

Remplace

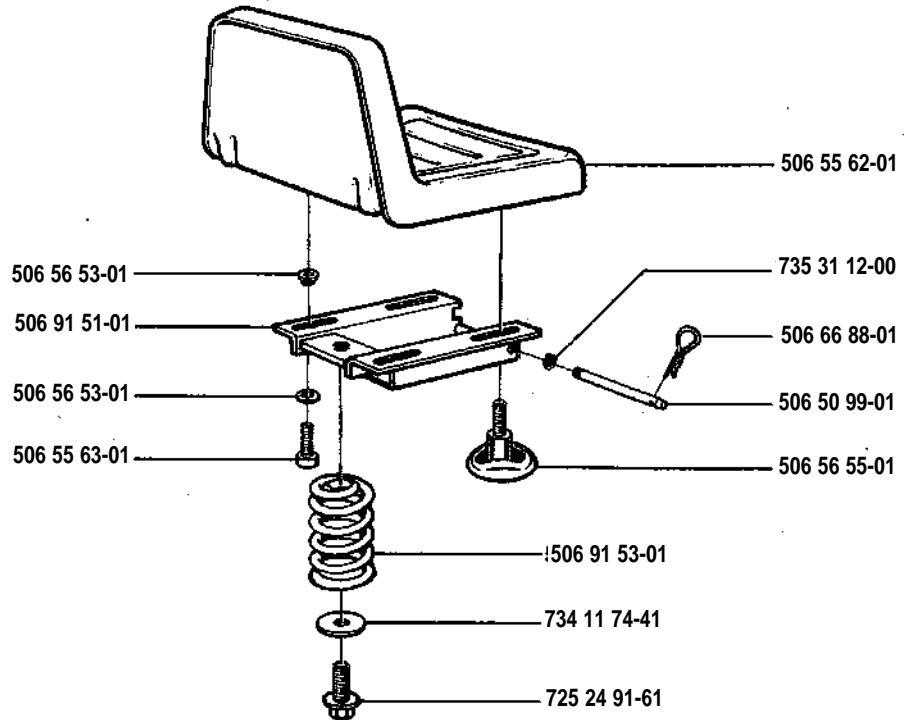
Vervangt

Reemplaza

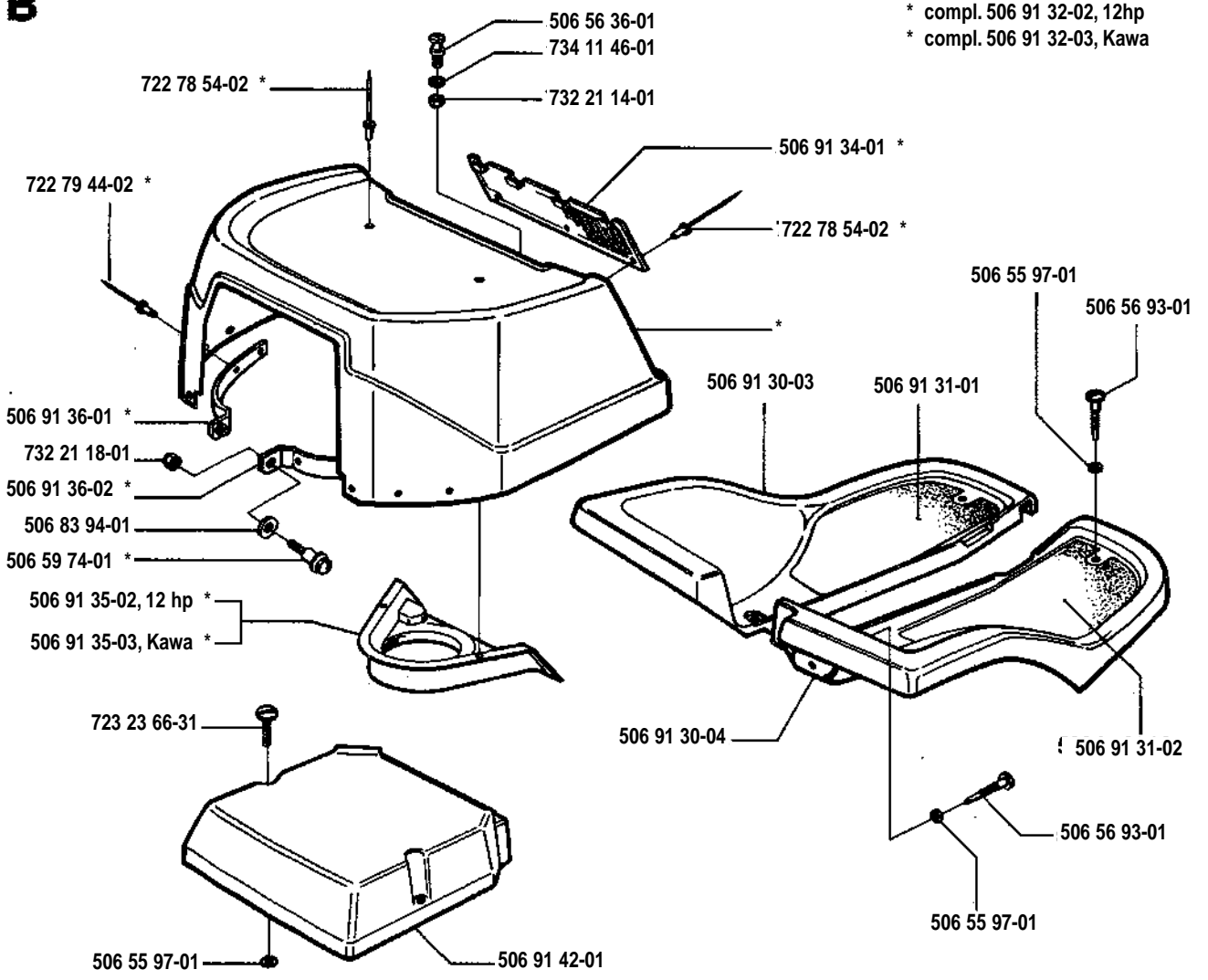
Ersätter

106 23 45-63

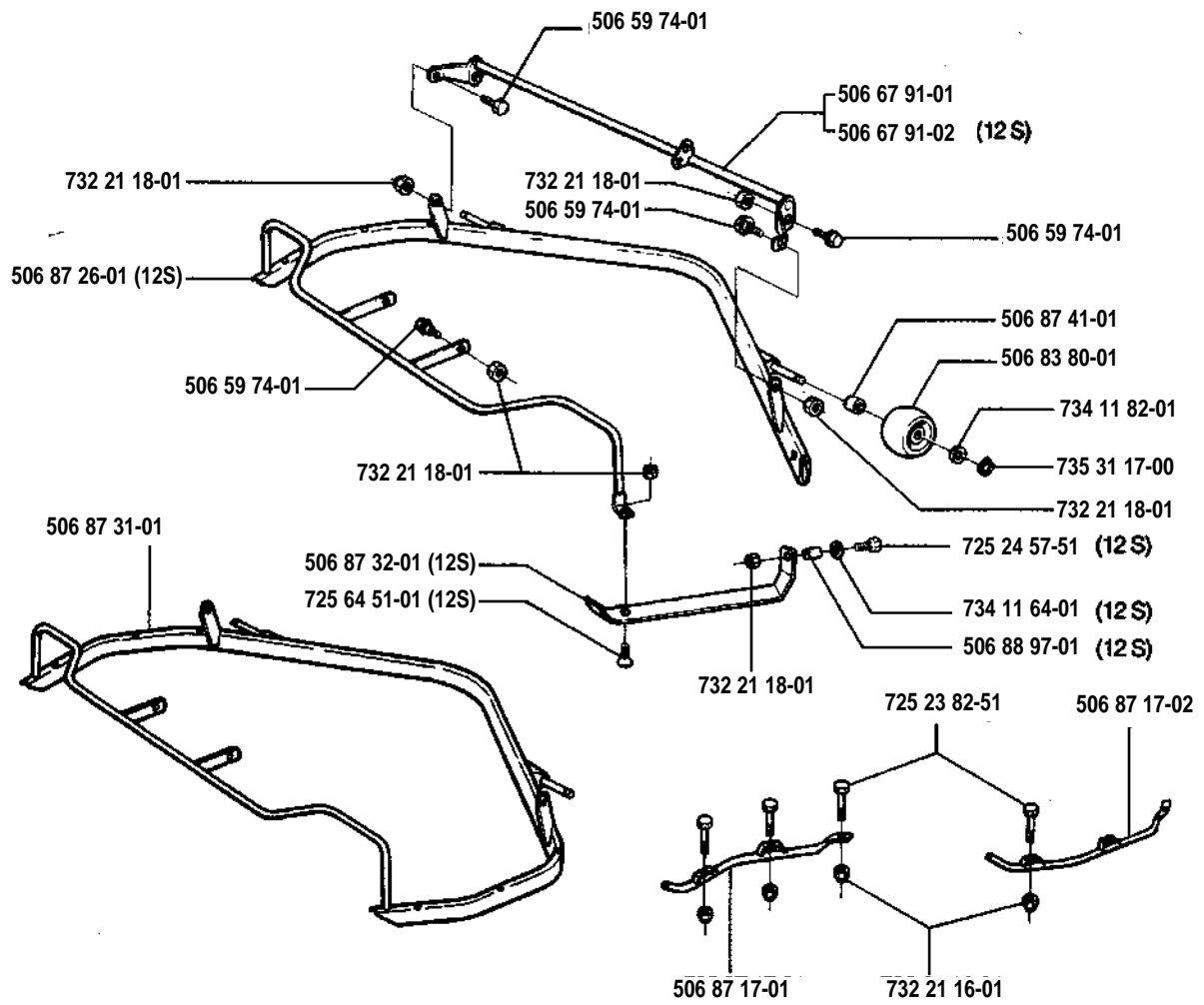
A



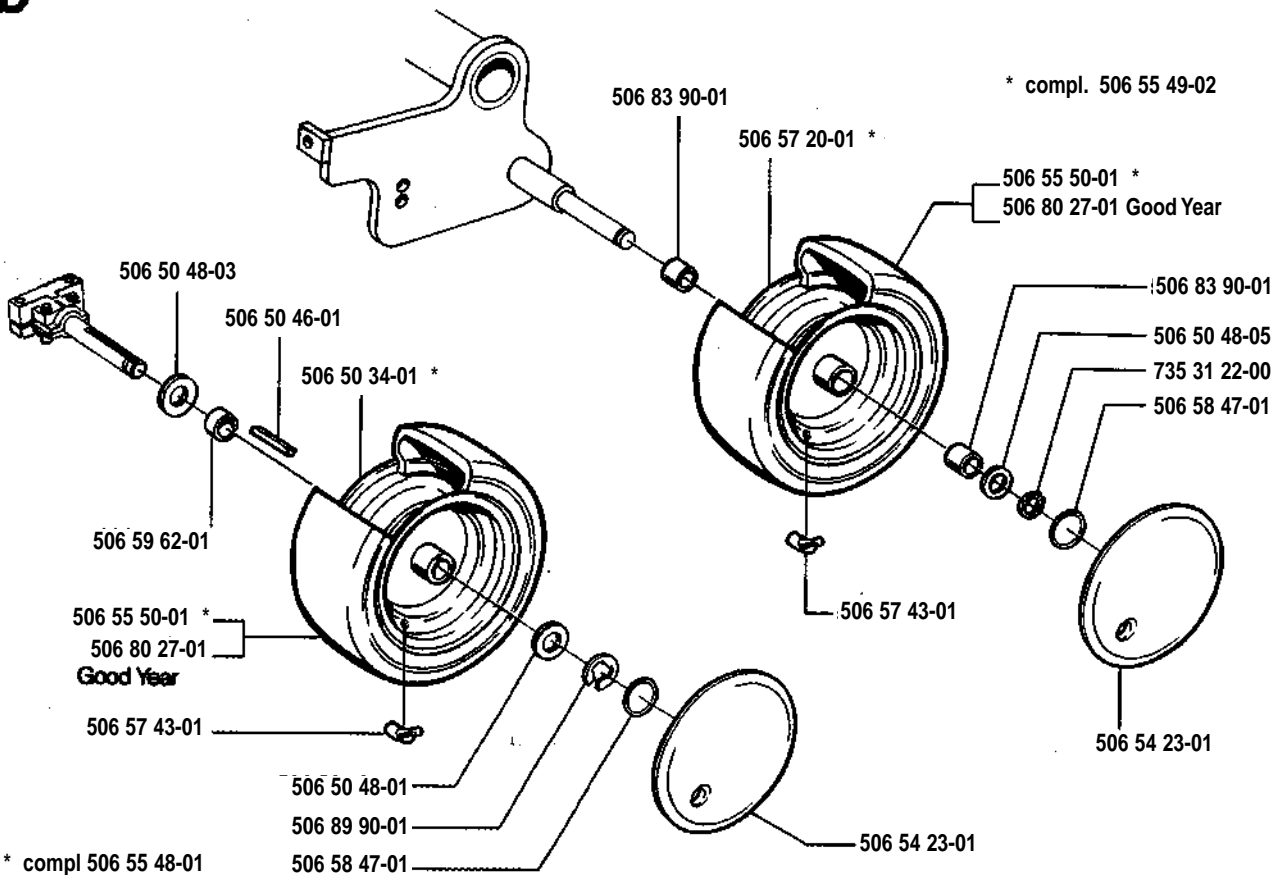
B

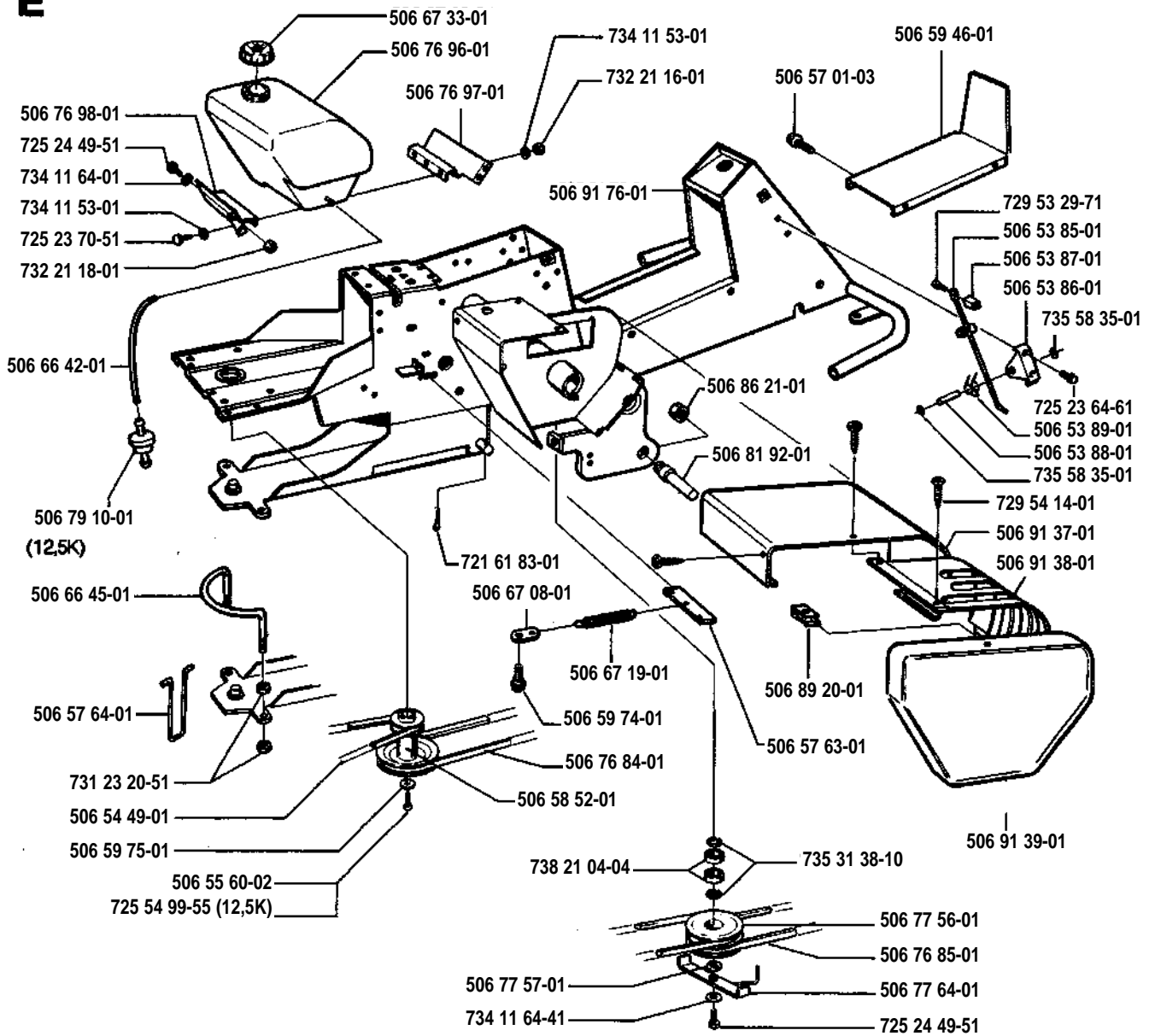
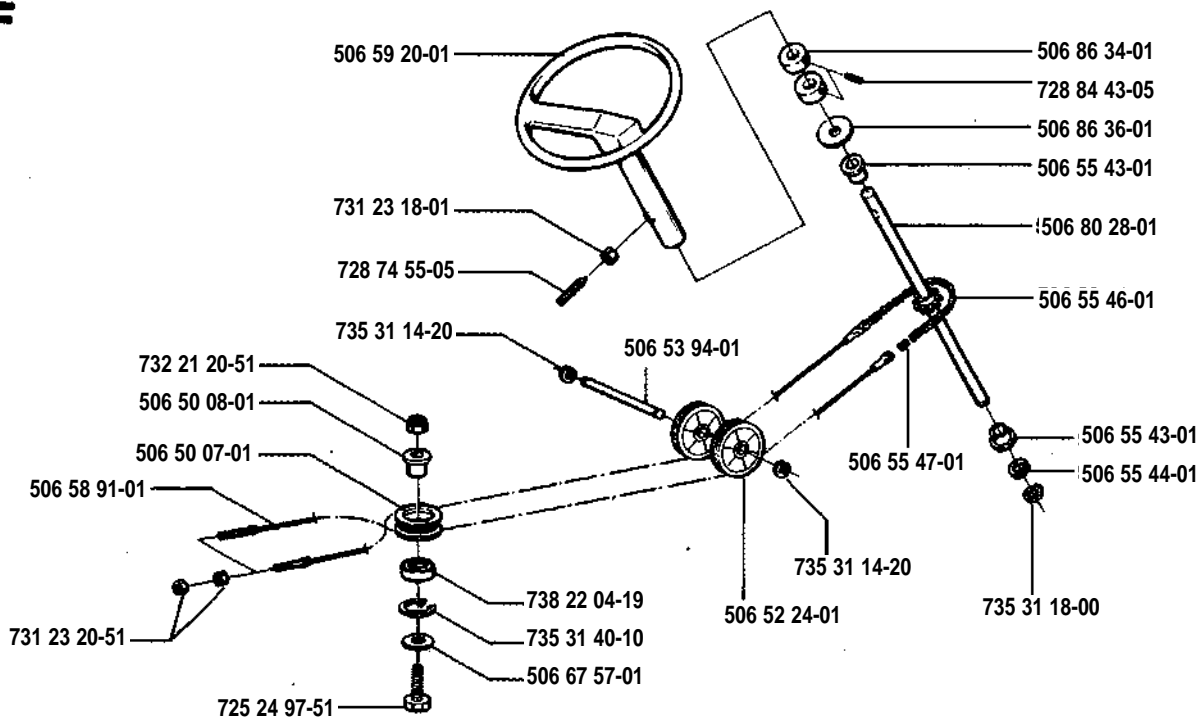


C



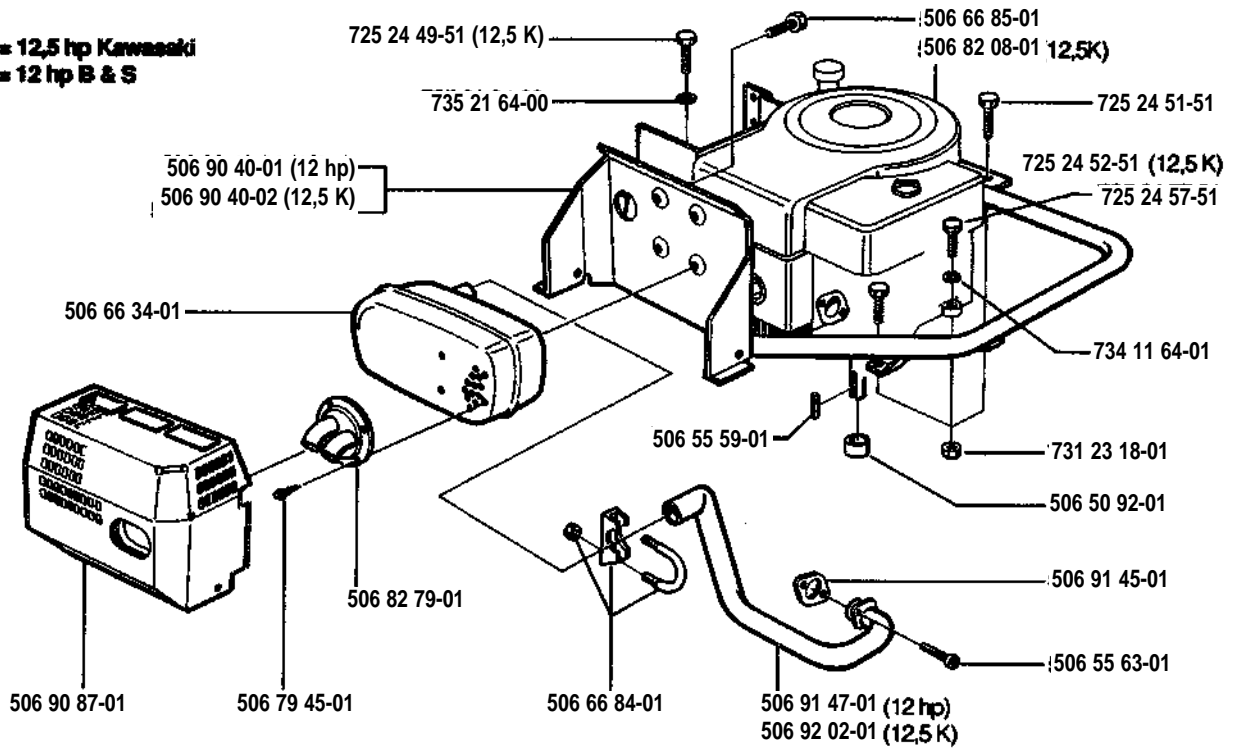
D



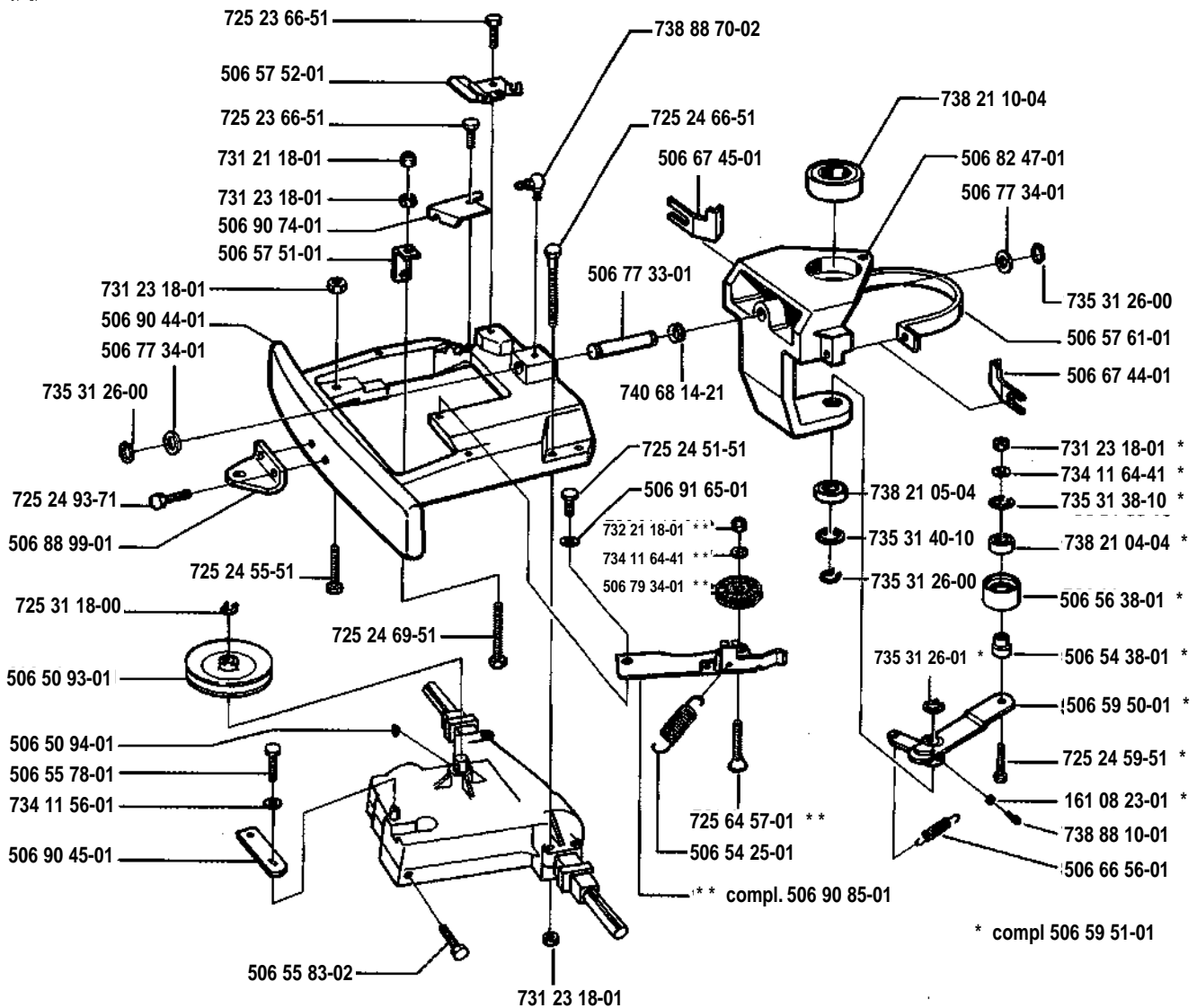
E**F**

G

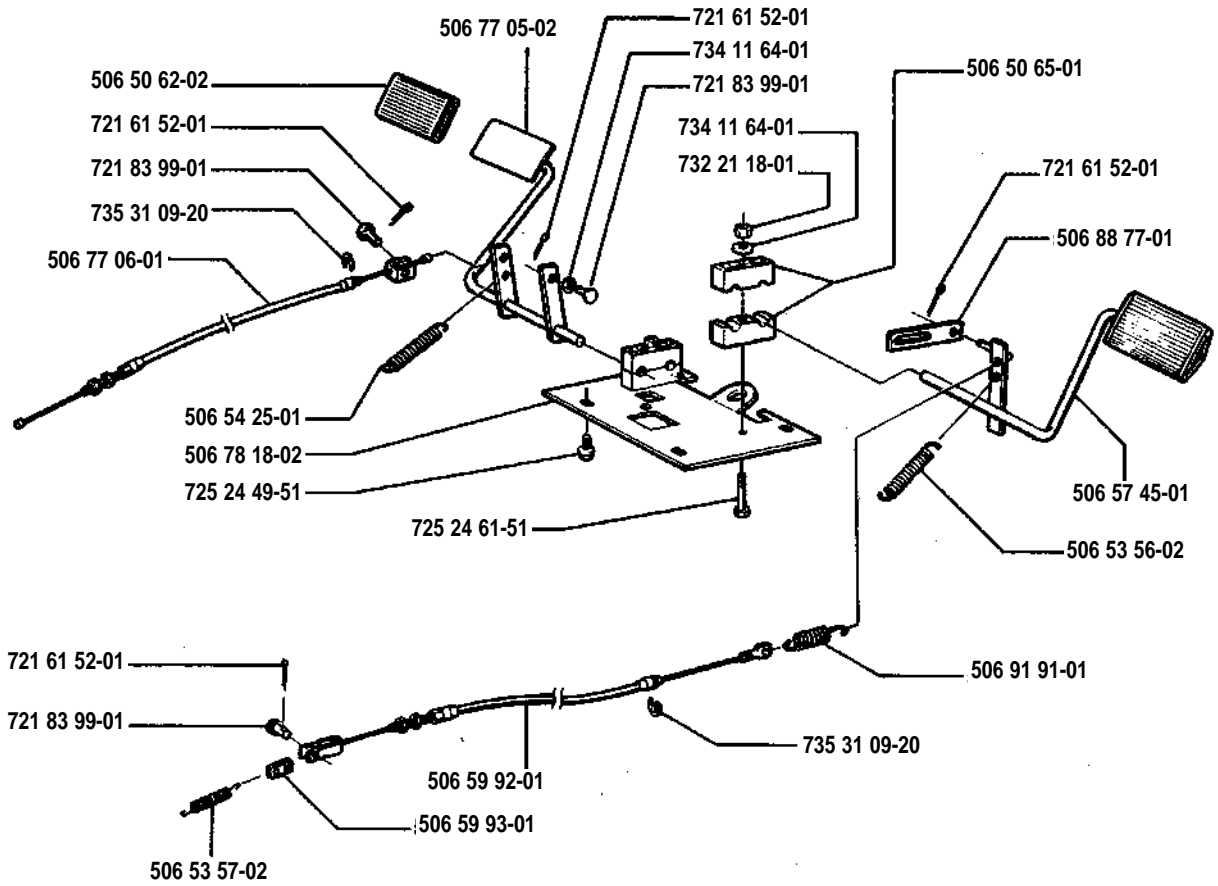
(12,5) = 12,5 hp Kawasaki
(12) = 12 hp B & S



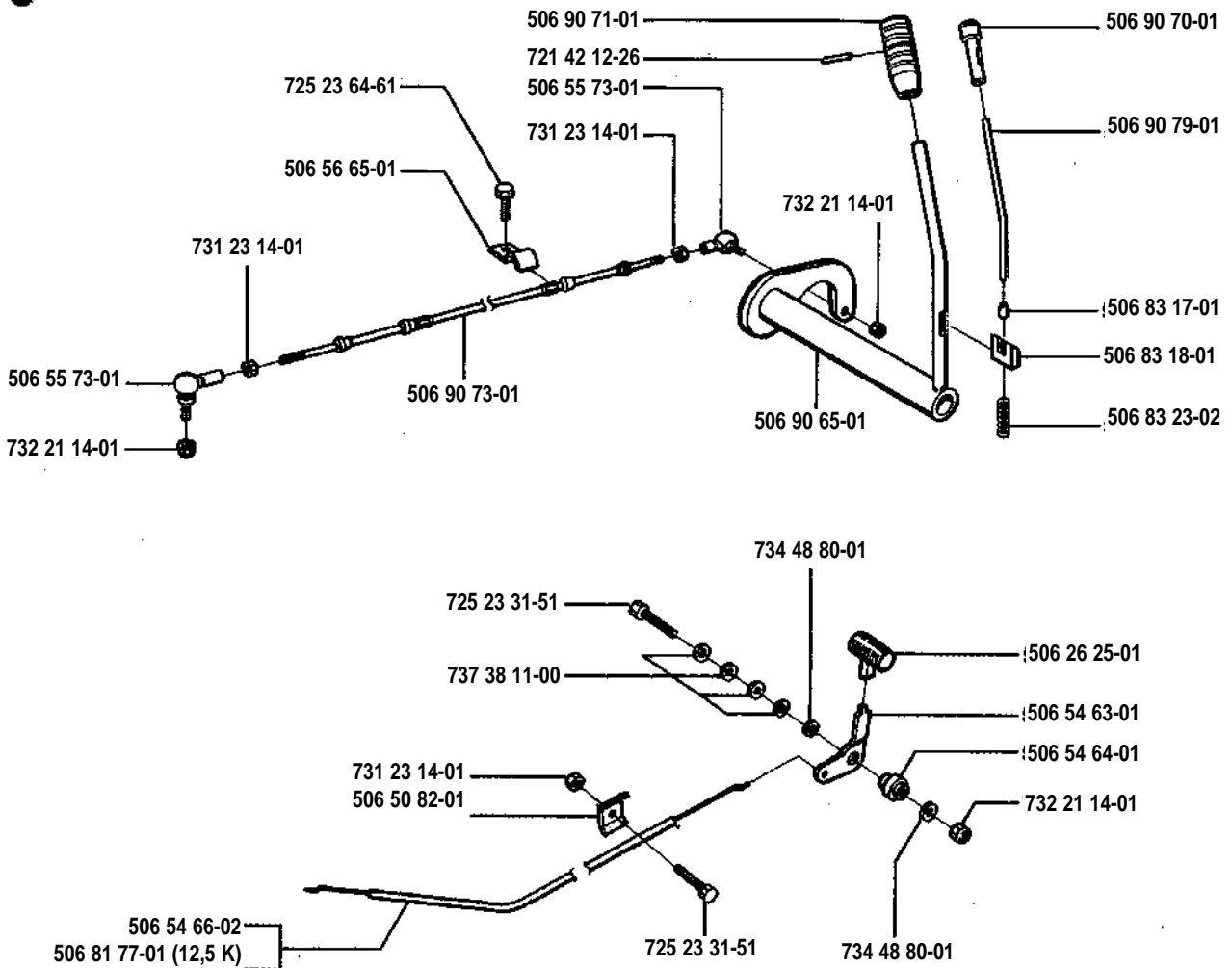
H



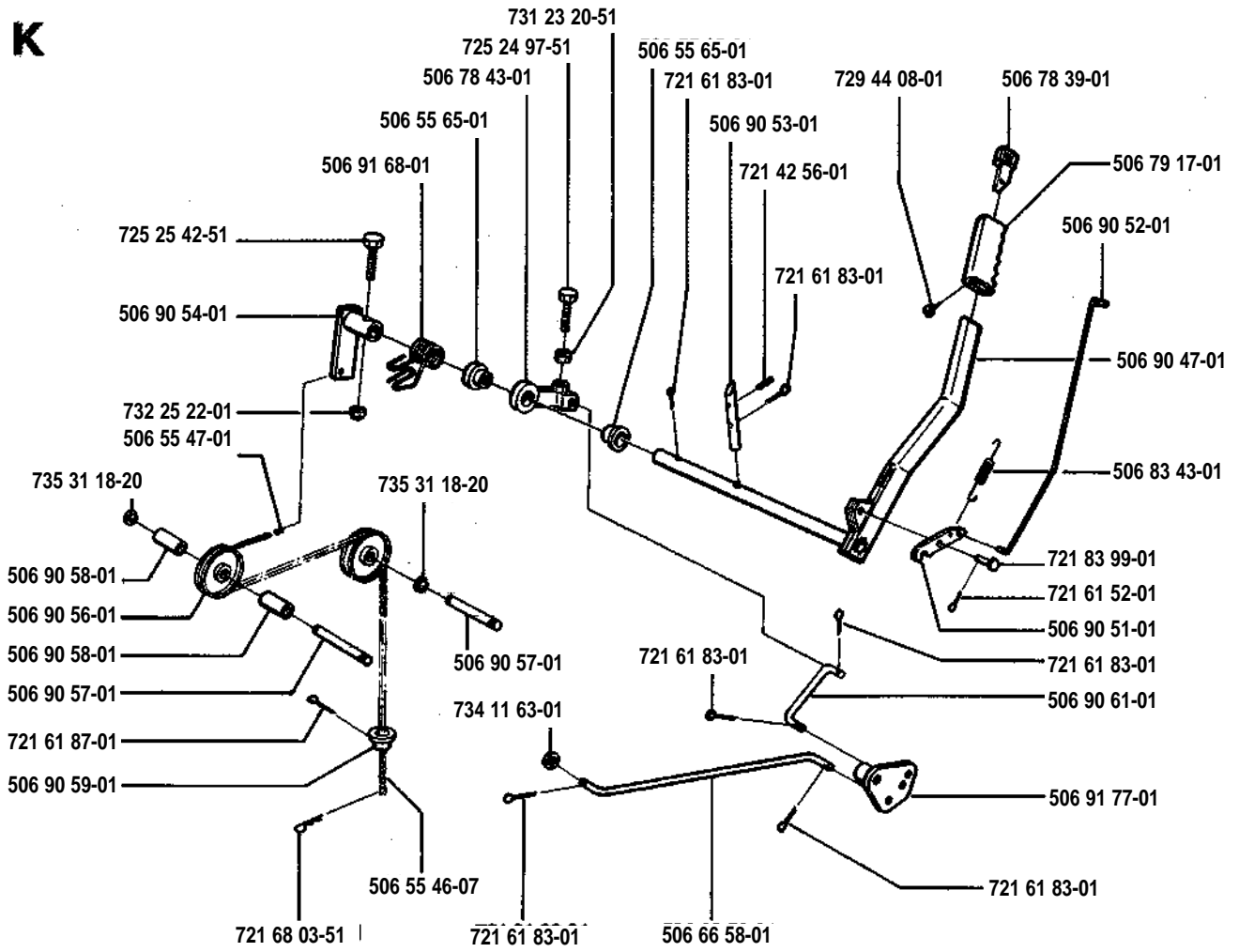
I



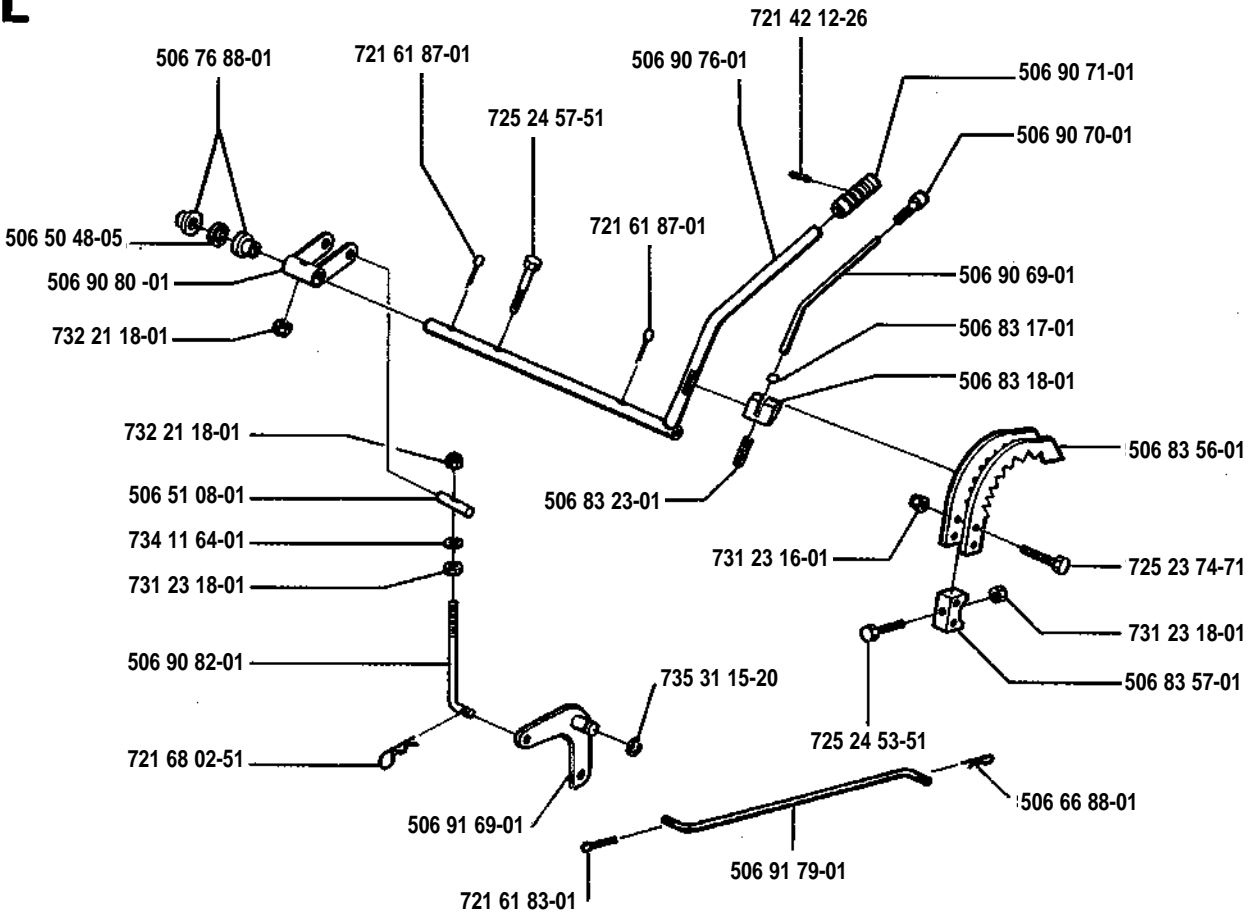
J



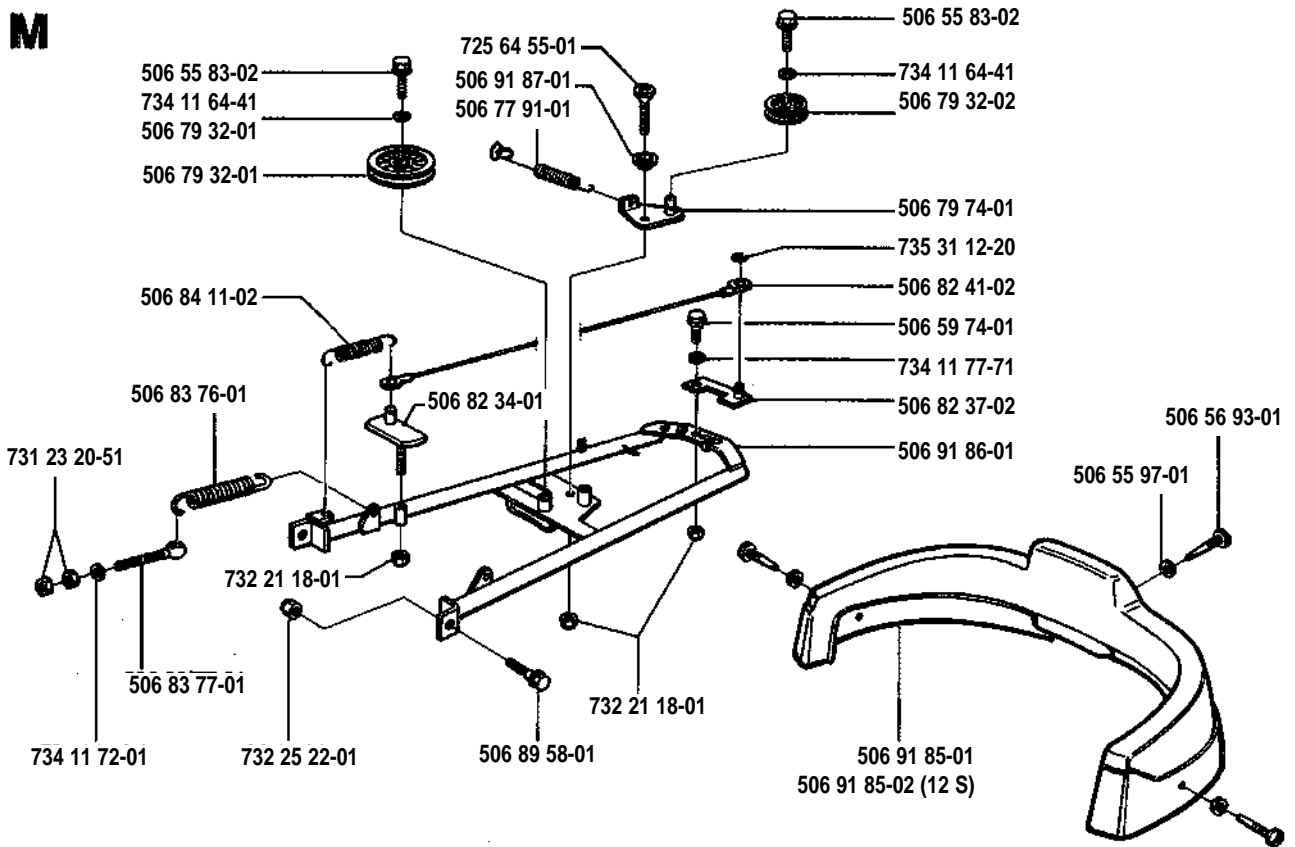
K



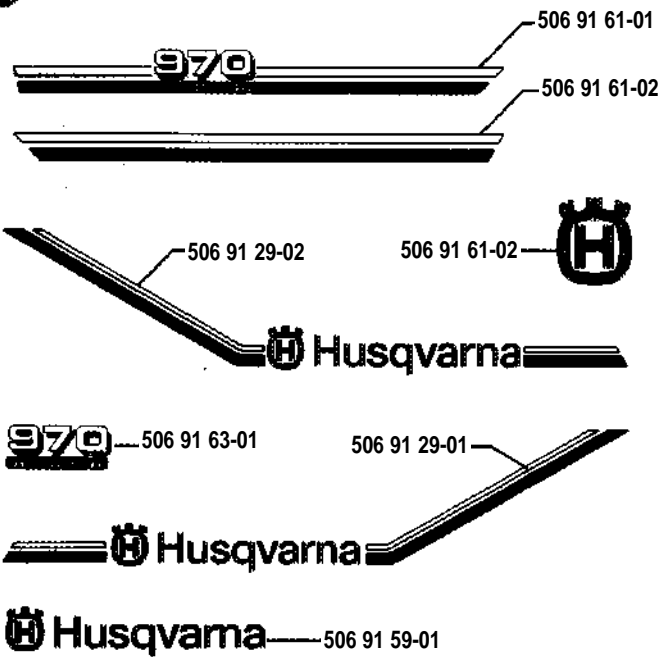
L



M

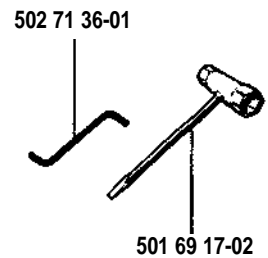


P



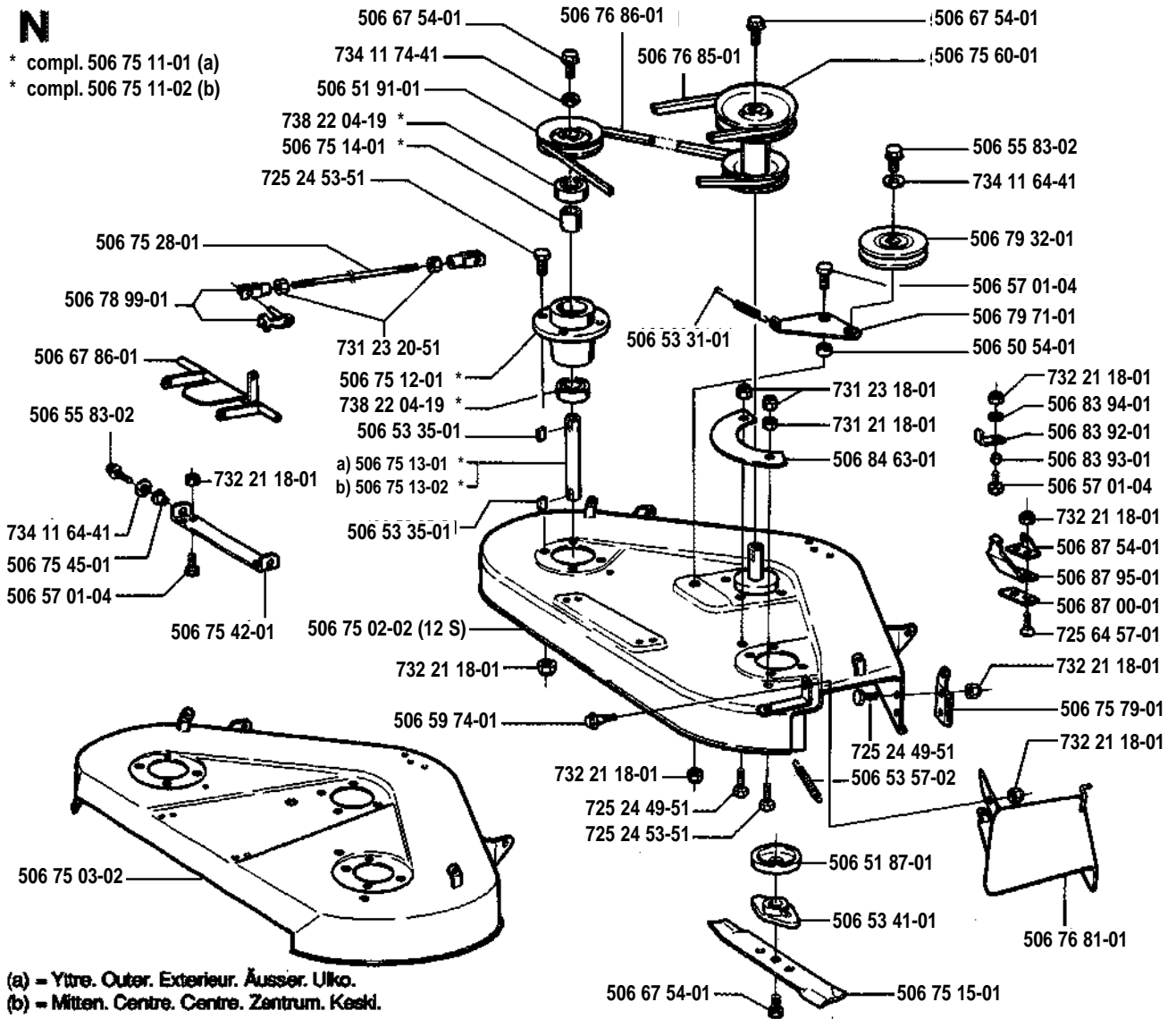
Q

Leverans endast som reservdel
 Delivery as spare part only
 Nur als Ersatzteil lieferbar
 Livrable seulement comme pièce de rechange
 Solo come riposta
 Zasiť sa jenom jako náhradní díl

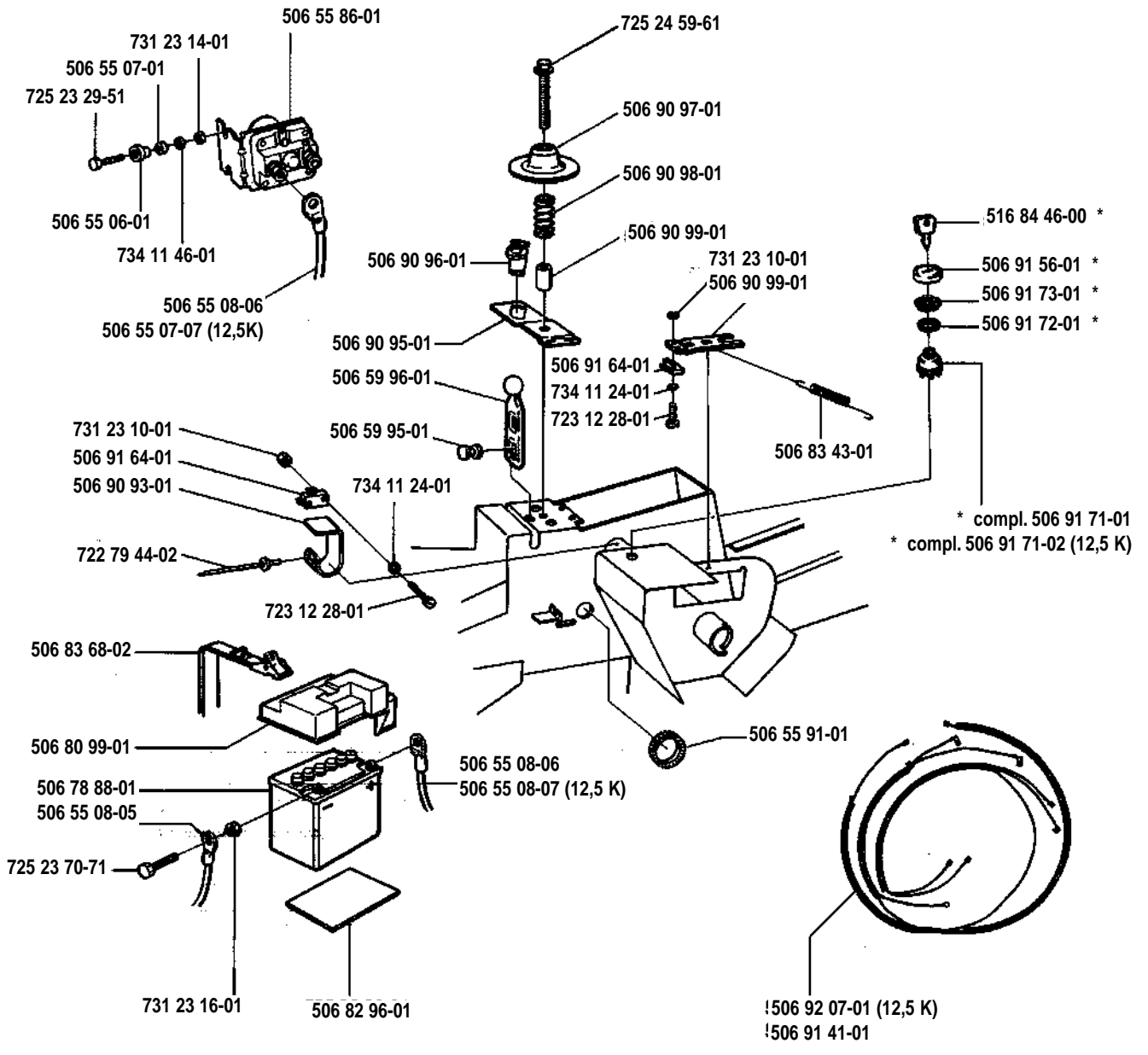


N

* compl. 506 75 11-01 (a)
* compl. 506 75 11-02 (b)



(a) = Ytöre. Outer. Extérieur. Äusser. Ulko.
(b) = Mitten. Centre. Centre. Zentrum. Keski.



MODEL NUMBER R970

PART NUMBER	SQUARE	NOTE	PART NUMBER	SQUARE	NOTE	PART NUMBER	SQUARE	NOTE	PART NUMBER	SQUARE	NOTE
161 08 23-01	H		506 56 65-01	J		506 77 34-01	H		506 90 52-01	K	
501 69 17-02	Q		506 56 93-01	BM		506 77 56-01	E		506 90 53-01	K	
502 71 36-01	Q		506 57 01-03	E		506 77 57-01	E		506 90 54-01	K	
506 50 07-01	F		506 57 01-04	N		506 77 64-01	E		506 90 56-01	K	
506 50 08-01	F		506 57 20-01	D		506 77 91-01	N		506 90 57-01	K	
506 50 34-01	D		506 57 43-01	D		506 78 18-02	I		506 90 58-01	K	N
506 50 46-01	D		506 57 45-01	I		506 78 39-01	K		506 90 59-01	K	
506 50 48-01	D		506 57 51-01	H		506 78 43-01	K		506 90 61-01	K	
506 50 48-03	D		506 57 52-01	H		506 78 88-01	O		506 90 65-01	J	
506 50 48-05	DL		506 57 61-01	H		506 78 99-01	N		506 90 69-01	L	
506 50 54-01	M		506 57 63-01	E		506 79 10-01	E		506 90 70-01	JL	
506 50 62-02	I		506 57 64-01	E		506 79 17-01	K		506 90 71-01	JL	
506 50 65-01	I		506 58 47-01	D		506 79 32-01	MM		506 90 73-01	J	
506 50 82-01	J		506 58 52-01	E		506 79 32-02	M		506 90 74-01	H	
506 50 92-01	G		506 58 91-01	F		506 79 34-01	H		506 90 76-01	L	
506 50 93-01	H		506 59 20-01	F		506 79 45-01	G		506 90 79-01	J	
506 50 94-01	N		506 59 46-01	E		506 79 71-01	N		506 90 80-01	L	
506 50 99-01	A		506 59 50-01	H		506 79 74-01	M		506 90 82-01	L	
506 51 08-01	L		506 59 51-01	H		506 80 27-01	D		506 90 85-01	H	
506 51 87-01	N		506 59 62-01	D		506 80 28-01	F		506 90 87-01	G	
506 51 91-01	M		506 59 74-01	BCEMN		506 80 99-01	O		506 90 93-01	O	
506 52 24-01	F		506 59 75-01	E		506 81 77-01	J		506 90 94-01	O	
506 53 31-01	N		506 59 92-01	I		506 81 92-01	E		506 90 95-01	O	
506 53 35-01	N		506 59 93-01	I		506 82 08-01	G		506 90 96-01	O	
506 53 41-01	M		506 59 95-01	O		506 82 34-81	M		506 90 97-01	O	
506 53 56-02	I		506 59 96-01	O		506 82 37-02	M		506 90 98-01	O	
506 53 57-02	IN		506 66 34-01	G		506 82 41-82	M	N	506 90 99-01	O	
506 53 85-01	E		506 66 42-01	E		506 82 47-01	H		506 91 29-01	P	
506 53 86-01	E		506 66 45-01	E		506 82 79-01	G		506 91 29-02	P	
506 53 87-01	E		506 66 56-01	H		506 82 96-01	O		506 91 30-03	B	
506 53 88-01	E		506 66 58-01	K		506 83 17-01	JL		506 91 30-04	B	
506 53 89-01	E		506 66 84-01	G		506 83 18-01	JL		506 91 31-01	B	
506 53 94-01	F		506 66 85-01	G		506 83 23-01	L		506 91 31-02	B	
506 54 23-01	D		506 66 88-01	AL		506 83 23-02	J		506 91 32-02	B	
506 54 25-01	HI		506 67 08-01	E		506 83 43-01	KO		506 91 32-03	B	
506 54 35-01	H		506 67 19-01	E		506 83 56-01	L		506 91 34-01	B	
506 54 49-01	E		506 67 33-01	E		506 83 57-01	L		506 91 35-02	B	
506 54 63-01	J		506 67 44-01	H		506 83 68-02	O		506 91 35-03	B	
506 54 64-01	J		506 67 45-01	H		506 83 76-01	M		506 91 36-01	B	
506 54 66-02	J		506 67 54-01	N		506 83 77-01	M		506 91 36-02	B	
506 55 06-01	O		506 67 57-01	F		506 83 80-01	C		506 91 37-01	E	
506 55 07-01	O		506 67 86-01	N		506 83 90-01	D		506 91 38-01	E	
506 55 07-07	O		506 67 91-01	C		506 83 92-01	N		506 91 39-01	E	
506 55 08-05	O		506 67 91-02	C		506 83 93-01	N		506 91 41-01	O	
506 55 08-06	O		506 67 95-01	N		506 83 94-01	BM		506 91 42-01	B	
506 55 08-07	O		506 75 02-02	N		506 84 11-02	M		506 91 45-01	G	
506 55 36-01	B		506 75 03-02	N		506 84 63-01	N		506 91 47-01	G	
506 55 43-01	F		506 75 11-01	N		506 86 21-01	E		506 91 51-01	A	
506 55 44-02	F		506 75 11-02	M		506 86 34-01	F		506 91 53-01	A	
506 55 46-01	F		506 75 12-01	N		506 86 36-01	F		506 91 55-01	P	
506 55 46-05	K		506 75 13-01	N		506 87 00-01	N		506 91 56-01	O	
506 55 47-01	FK		506 75 13-02	N		506 87 17-01	C		506 91 59-01	P	
506 55 48-01	D		506 75 14-01	N		506 87 17-02	C		506 91 61-01	P	
506 55 49-02	D		506 75 15-01	N		506 87 26-01	C		506 91 61-02	P	
506 55 50-01	D		506 75 28-01	N		506 87 31-01	C		506 91 63-01	P	
506 55 59-01	G		506 75 42-01	N		506 87 32-01	C		506 91 64-01	O	
506 55 60-02	E		506 75 45-01	N		506 87 41-01	C		506 91 65-01	H	
506 55 62-01	A		506 75 60-01	N		506 87 54-01	N		506 91 68-01	K	
506 55 63-01	AG		506 75 79-01	N		506 88 77-01	I		506 91 69-01	L	
506 55 65-01	K		506 76 81-01	N		506 88 97-01	C		506 91 71-01	O	
506 55 73-01	J		506 76 84-01	E		506 88 99-01	H		506 91 71-02	O	
506 55 78-01	H		506 76 85-01	EN		506 89 20-01	E		506 91 72-01	O	
506 55 83-02	HMN		506 76 86-01	N		506 89 58-01	M		506 91 73-01	O	
506 55 86-01	O		506 76 86-01	L		506 89 90-01	D		506 91 76-01	E	
506 55 91-01	O		506 76 96-01	E		506 90 40-01	G		506 91 77-01	K	
506 55 97-01	BN		506 76 97-01	E		506 90 40-02	G		506 91 79-01	E	N
506 56 25-01	J		506 76 98-01	E		506 90 44-01	H		506 91 85-01	N	
506 56 38-01	H		506 77 05-02	I		506 90 45-01	H		506 91 85-02	N	
506 56 53-01	A		506 77 06-01	I		506 90 47-01	K		506 91 86-01	N	
506 56 55-01	A		506 77 33-01	H		506 90 51-01	K		506 91 87-01	N	

N=New part
 Neues teil
 Nouvelle piece
 Nueva pieza

MODEL NUMBER R970

PART NUMBER	SQUARE	NOTE	PART NUMBER	SQUARE	NOTE	PART NUMBER	SQUARE	NOTE	PART NUMBER	SQUARE	NOTE
506 91 91-01	I		734 48 80-01	J							
506 92 02-01	G		735 21 64-00	G							
506 92 07-01	O		735 31 09-20	I							
516 84 46-00	O		735 31 12-00	A							
721 42 12-26	JL		735 31 12-20	M							
721 42 56-01	K		735 31 14-20	F							
721 61 52-01	IK		735 31 15-20	L							
721 61 83-01	EKL		735 31 17-00	C							
721 61 87-01	KL		735 31 18-00	FH							
721 68 02-51	L		735 31 18-20	K							
721 68 03-51	K		735 31 22-00	D							
721 83 99-01	IK		735 31 26-00	H							
722 78 54-02	B		735 31 38-10	EH							
722 79 44-02	BO		735 31 40-10	FH							
723 12 28-01	O		735 58 35-01	E							
723 23 66-3T	B		737 38 11-00	J							
725 23 29-51	O		738 21 04-04	EH							
725 23 31-51	J		738 21 05-04	H							
725 23 64-61	EJ		738 21 10-04	H							
725 23 66-51	H		738 22 04-19	FN							
725 23 70-51	E		738 88 10-01	H							
725 23 70-71	O		738 88 70-02	H							
725 23 74-71	L		740 68 14-21	H							
725 23 82-51	C										
725 24 49-51	EGIN										
725 24 51-51	GH										
725 24 52-51	G										
725 24 53-51	LN										
725 24 55-51	H										
725 24 57-51	CGL										
725 24 59-51	H										
725 24 59-61	O										
725 24 61-51	I										
725 24 66-51	H										
725 24 69-51	H										
725 24 91-61	A										
725 24 93-71	H										
725 24 97-51	FK										
725 25 42-51	K										
725 54 99-55	E										
725 64 51-01	C										
725 64 55-01	N										
725 64 57-01	NN										
728 74 55-05	F										
728 84 43-05	F										
729 44 08-01	K										
729 53 29-71	E										
729 54 14-01	E										
731 21 18-01	H										
731 23 10-01	O										
731 23 14-01	JO										
731 23 16-01	LO										
731 23 18-01	FGHLM										
731 23 20-51	EFKMN										
732 21 14-01	B										
732 21 16-01	E										
732 21 18-01	BCEILMN										
732 21 20-51	F										
732 25 22-01	KH										
734 11 24-01	O										
734 11 46-01	BO										
734 11 53-01	E										
734 11 56-01	H										
734 11 63-01	K										
734 11 64-01	CEGIL										
734 11 64-41	EJMN										
734 11 72-01	N										
734 11 74-41	AN										
734 11 77-71	N										
734 11 82-01	C										

N-New part
 Neues teil
 Nouvelle piece
 Nueva pieza