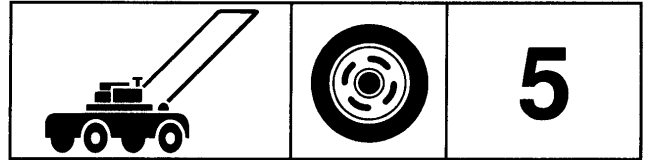


1994 -03- 1 0

 **Husqvarna**



HuskyJet



1.1994

Spare parts

Ersatzteile

Pièces détachées

Reserve onderdelen

Repuestos

Reservdelar

Replaces

Ersetzt

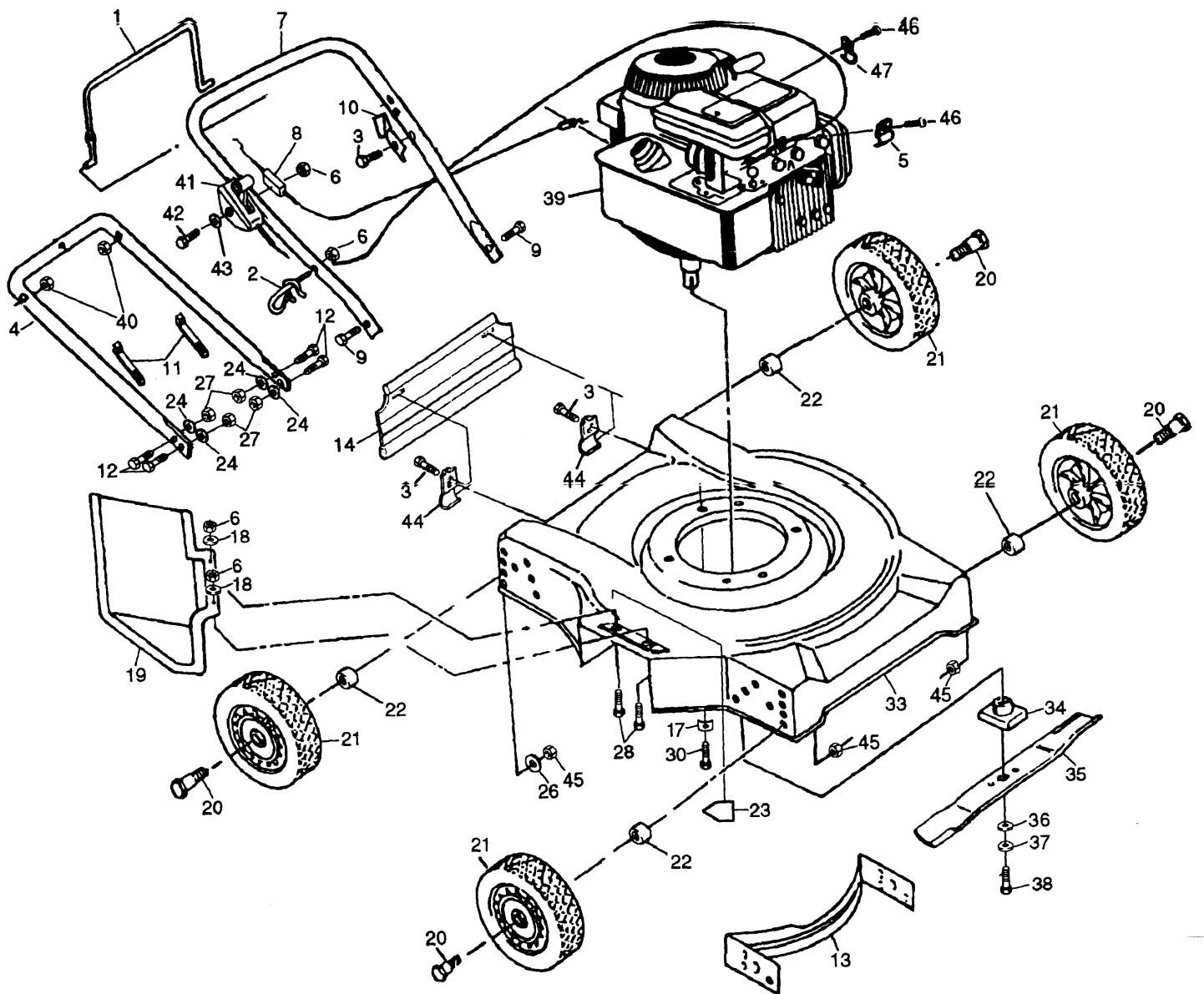
Remplace

Vervangt

Reemplaza

Ersätter

106 22 91-61



KEY PART NO.	PART NO.	DESCRIPTION
1	532 08 69-02	Control Bar
2	532 13 20-01	Rope Guide - 1/2
3	532 75 00-97	Hex Washer Head Self-tapping Screw #10 24 x
4	532 12 51-89	Lower Handle
5	532 21 31-46	Cable Clamp (Engine)
6	532 06 36-01	Locknut 1/4-20
7	532 12 53-71	Upper Handle
8	532 85 18-09	Engine Zone Control Cable
9	874 35 04-24	Hex Head Bolt 1/4-20x1-1/2
10	532 12 51-62	Up-Stop Bracket
11	532 06 64-26	Wire Tie
12	874 76 06-16	Hex Head Bolt 3/8-16 x 1
13	532 12 53-70	Front Baffle
14	532 75 12-28	Rear Skirt
17	532 12 50-78	Engine Washer
18	532 05 38-47	Flat Washer
19	532 75 20-52	Discharge Guard
20	532 06 76-09	Shoulder Bolt
21	532 13 04-91	Wheel Assembly 7.00x1.50
22	532 13 66-24	Spacer Washer
23	532 10 73-39	Danger Decal

KEY PART NO.	PART NO.	DESCRIPTION
24	532 05 56-11	Washer
26	819 21 16-16	Washer
27	532 13 20-10	Flange Locknut 3/8-16
28	874 76 04-12	Hex Head Bolt 1/4-20 x 3/4
30	532 85 09-98	Hex Head Thread Rolling Screw 3/8-16 x 1
33	532 70 07-04	Housing Kit
34	532 85 09-77	Blade Adapter
35	532 85 09-72	Blade 20"
36	532 85 10-74	Washer (Hardened)
37	532 85 02-63	Helical Lock Washer
38	532 85 10-84	Hex Head Machine Screw 3/8-24 x 1 -3/8 Gr. 8
39	-----	Engine, Briggs & Stratton Model No. 95902, Type No. 3117-02
40	532 13 20-04	Hex Nut 1/4-20
41	532 13 19-22	Throttle Cable STO
42	532 08 56-92	Machine Screw 1/4-20 x 2.12
43	532 08 57-23	Flat Washer
44	532 12 52-07	Skirt Bracket
45	532 75 15-92	Locknut 5/8- 16
46	532 08 38-16	Screw, #10 x 5/8
47	532 08 79-30	Cable Clip, Throttle

PART NUMBER	SQUARE	NOTE
532 05 38-47		
532 05 56-11		N
532 06 36-01		
532 06 64-26		
532 06 76-09		
532 08 38-16		
532 08 56-92		N
532 08 57-23		
532 08 69-02		
532 08 79-30		N
532 10 73-39		
532 12 50-78		
532 12 51-62		
532 12 51-89		
532 12 52-07		
532 12 53-70		
532 12 53-71		
532 13 04-91		
532 13 19-22		
532 13 20-01		
532 13 20-04		N
532 13 20-10		
532 13 66-24		
532 21 31-46		
532 70 07-04		N
532 75 00-97		
532 75 12-28		
532 75 15-92		
532 75 20-52		
532 80 01-97		N
532 85 02-63		
532 85 09-72		
532 85 09-77		
532 85 09-98		
532 85 10-74		
532 85 10-84		
532 85 18-09		
819 21 16-16		
874 35 04-24		
874 76 04-12		
874 76 06-16		

N=New part
 Neues teil
 Nouvelle piece
 Nueva pieza
 Ny detalj