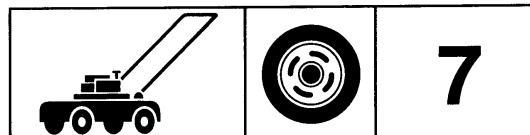


 **Husqvarna**



Rider 970, 970-BIOCLIP



1.1996

Spare parts

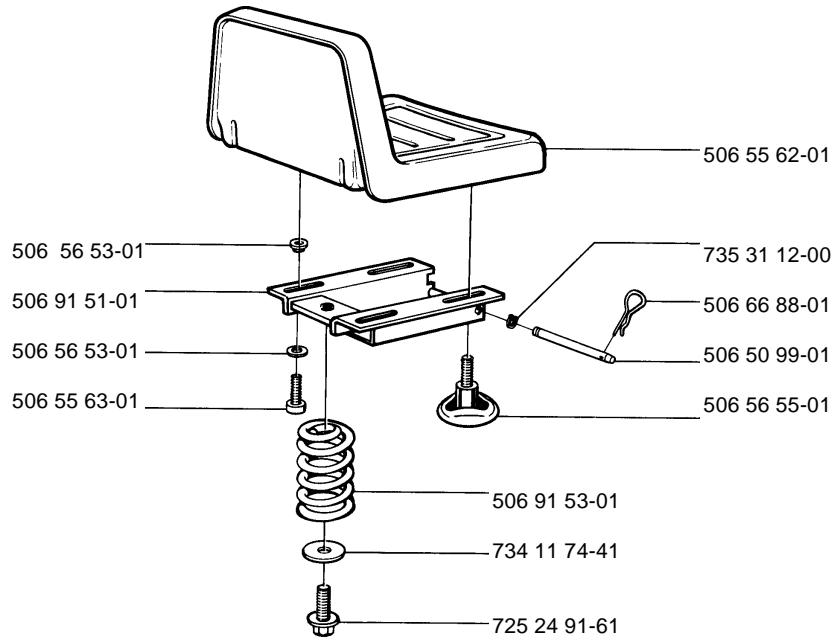
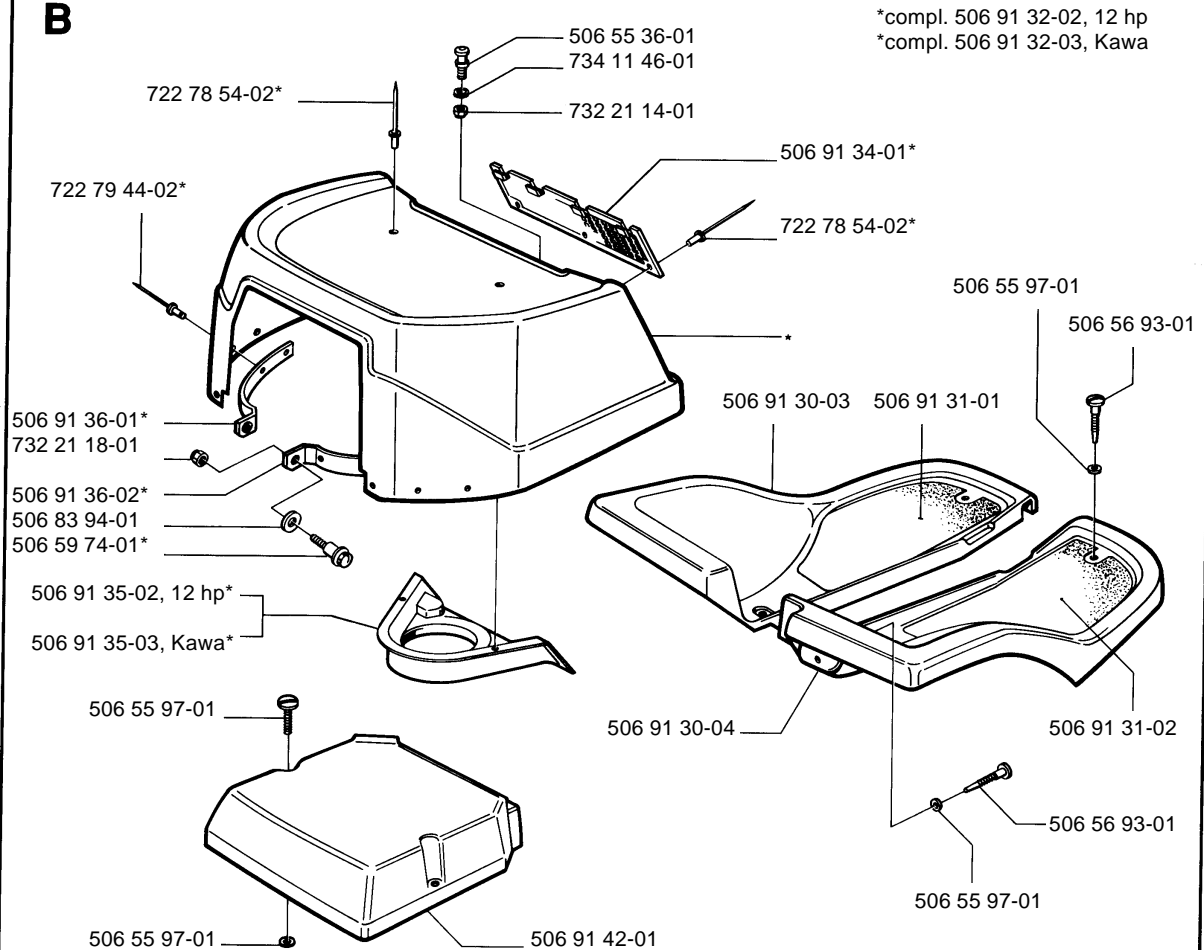
Ersatzteile

Pièces détachées

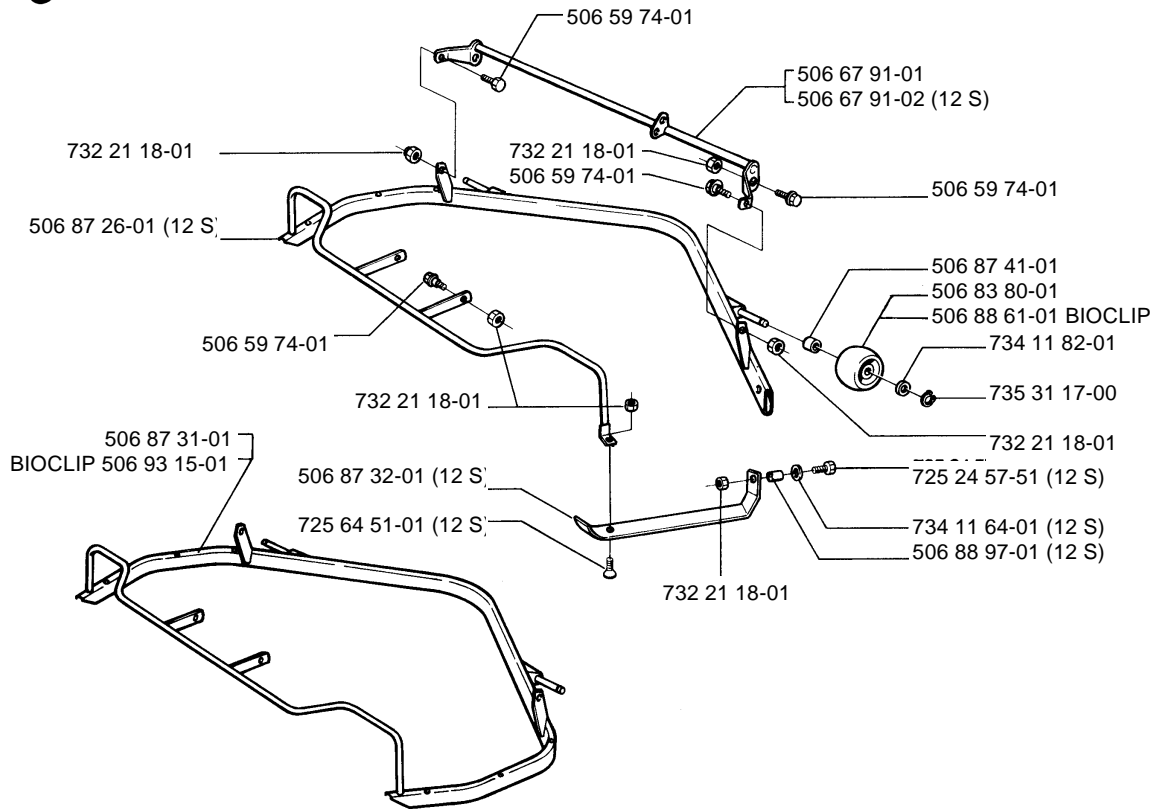
Reserve onderdelen

Repuestos

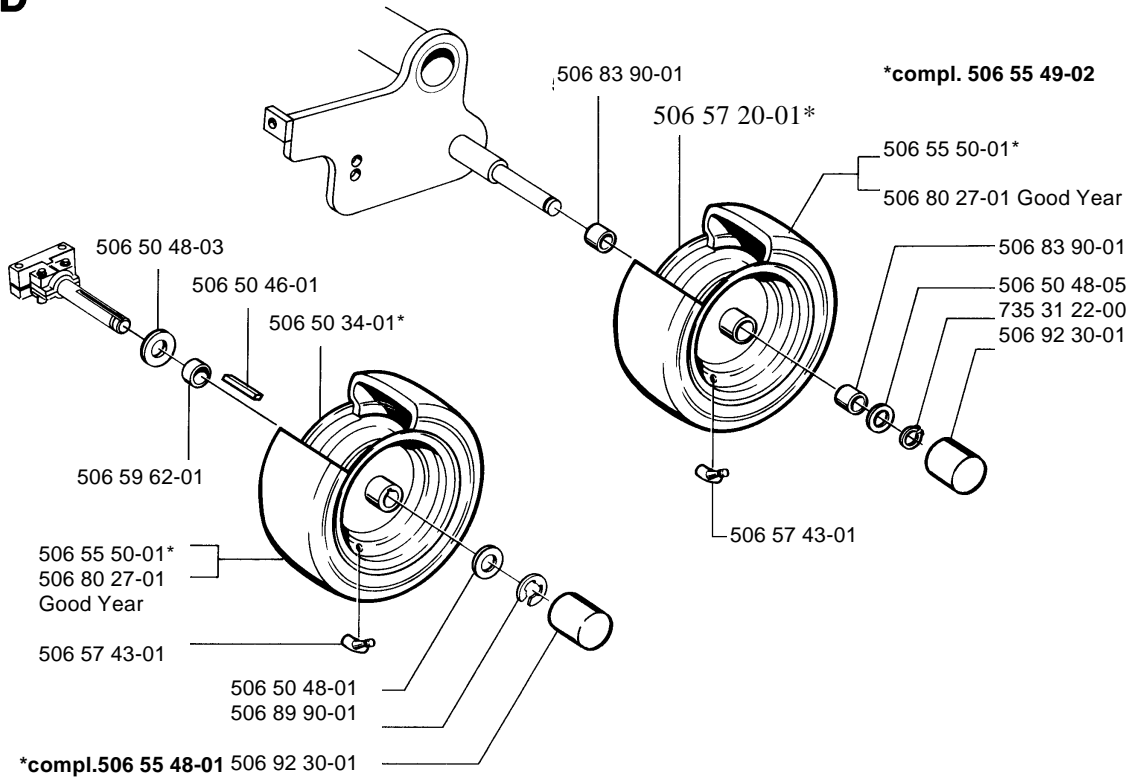
Reservdelar

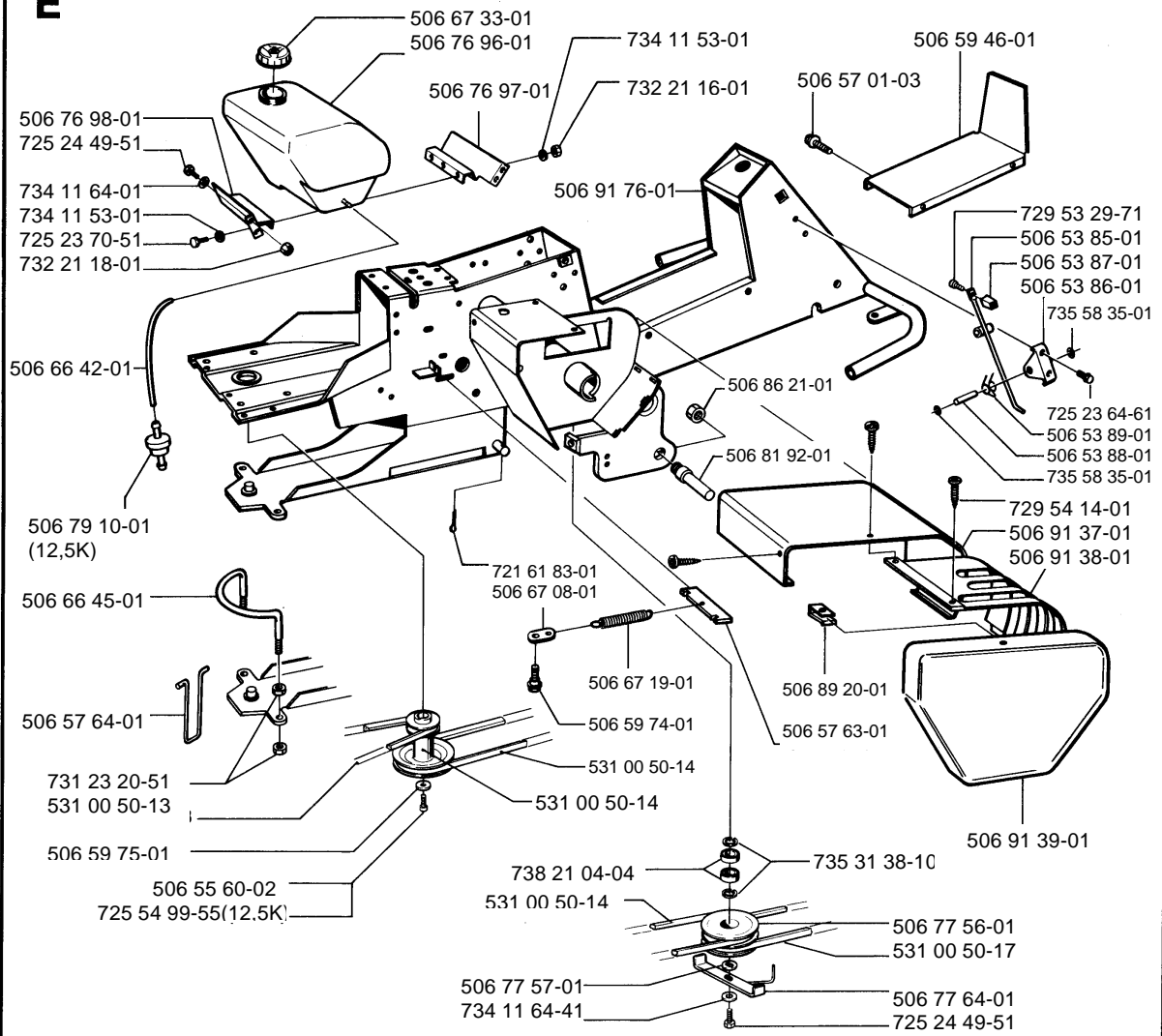
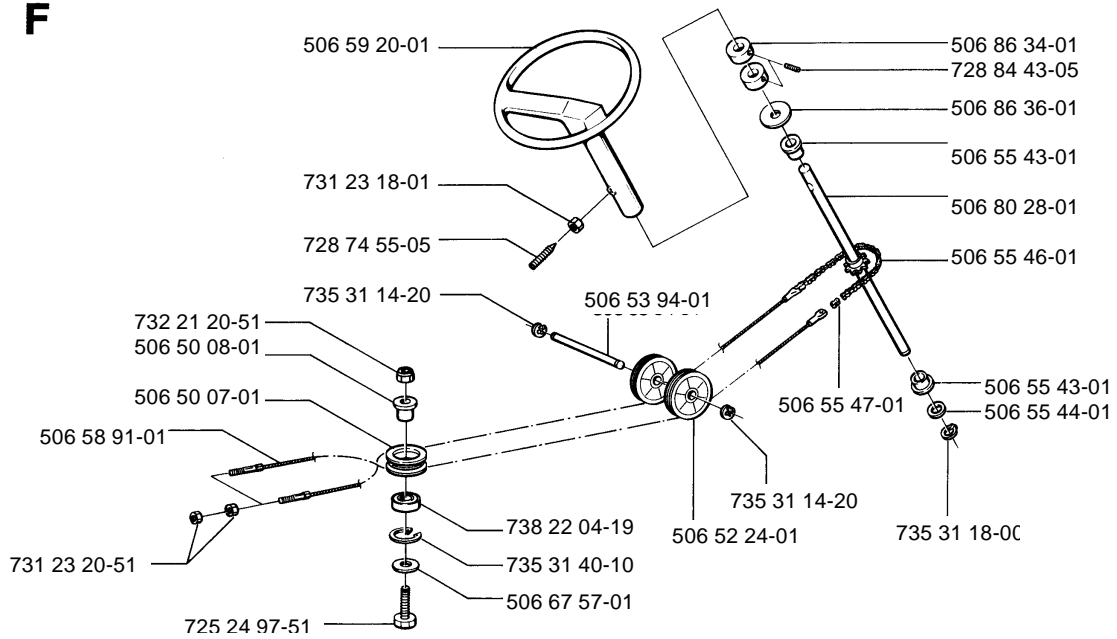
A**B**

C



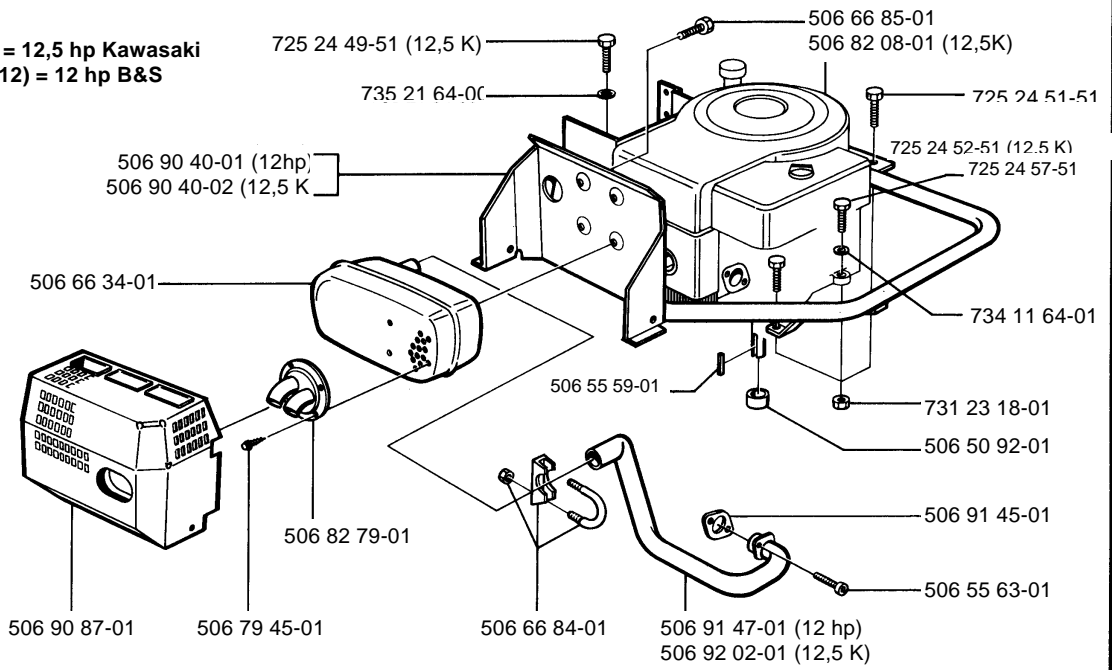
D



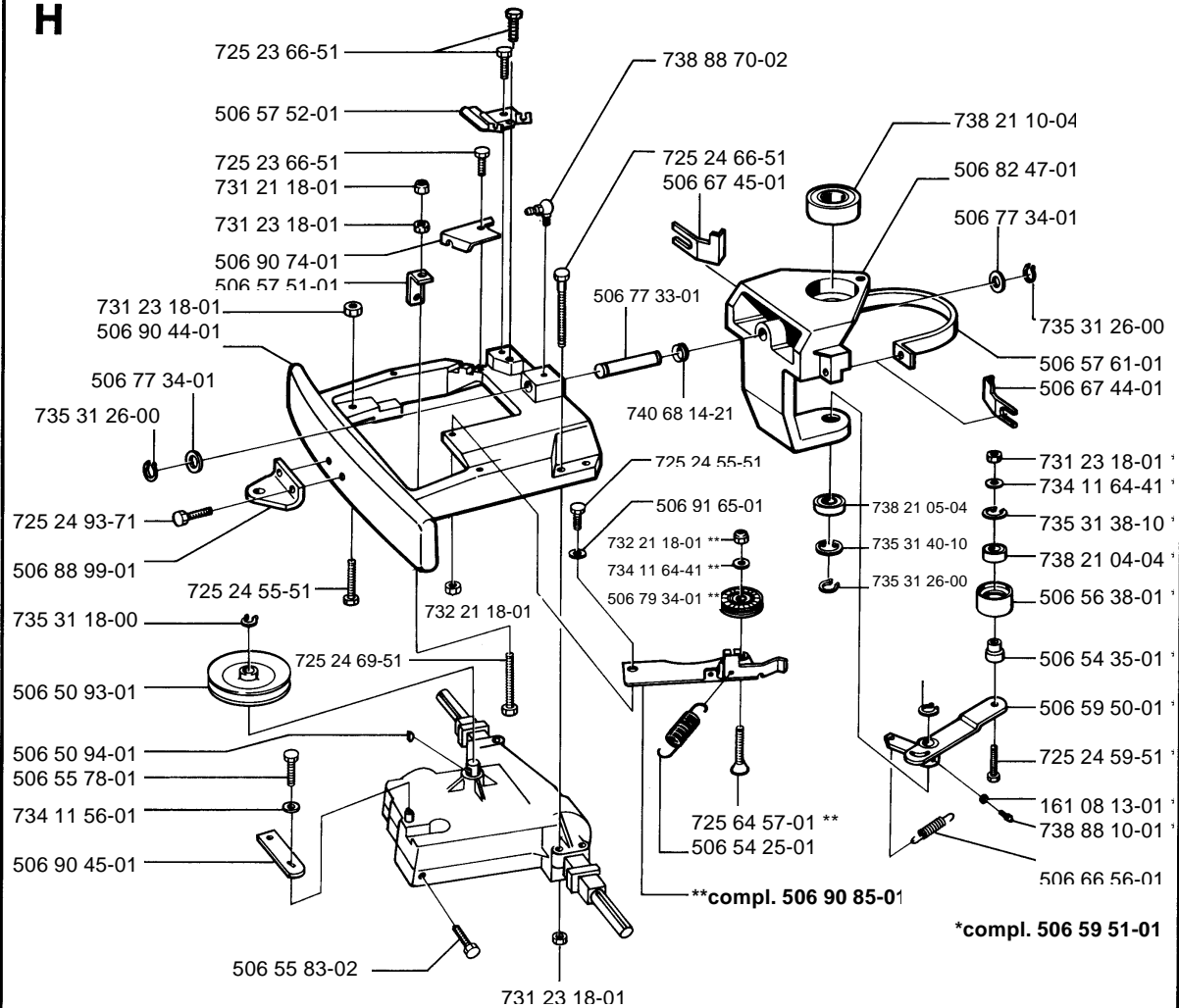
E**F**

G

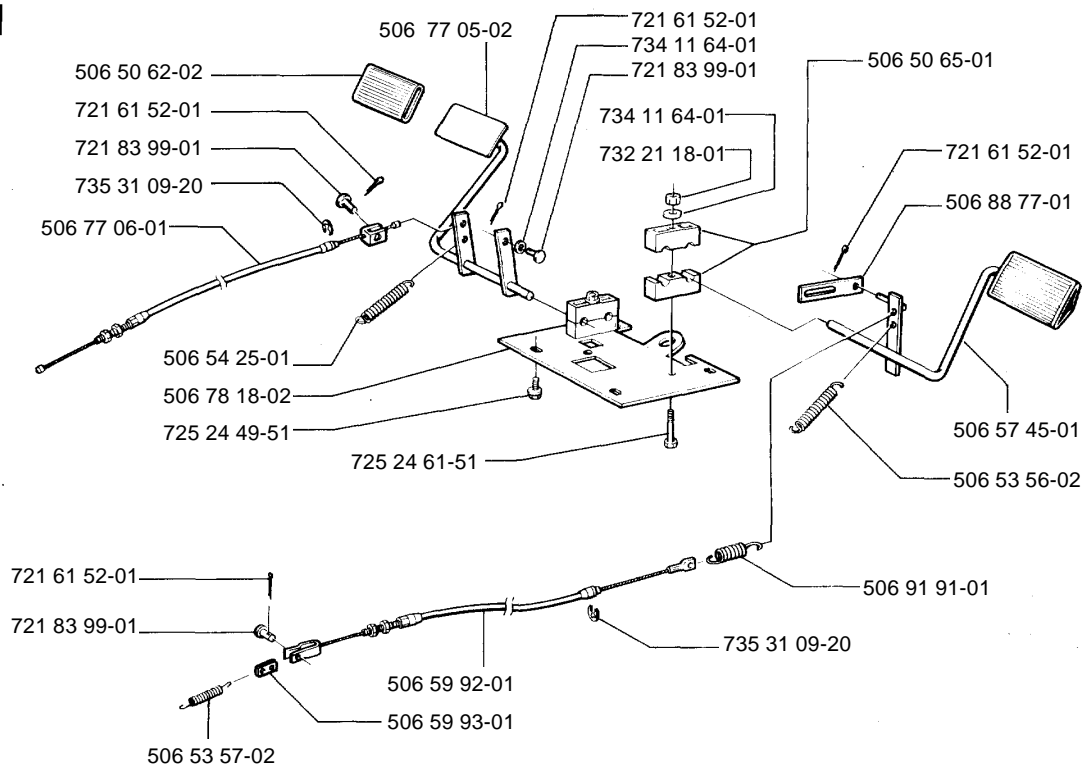
(12,5) = 12,5 hp Kawasaki
(12) = 12 hp B&S



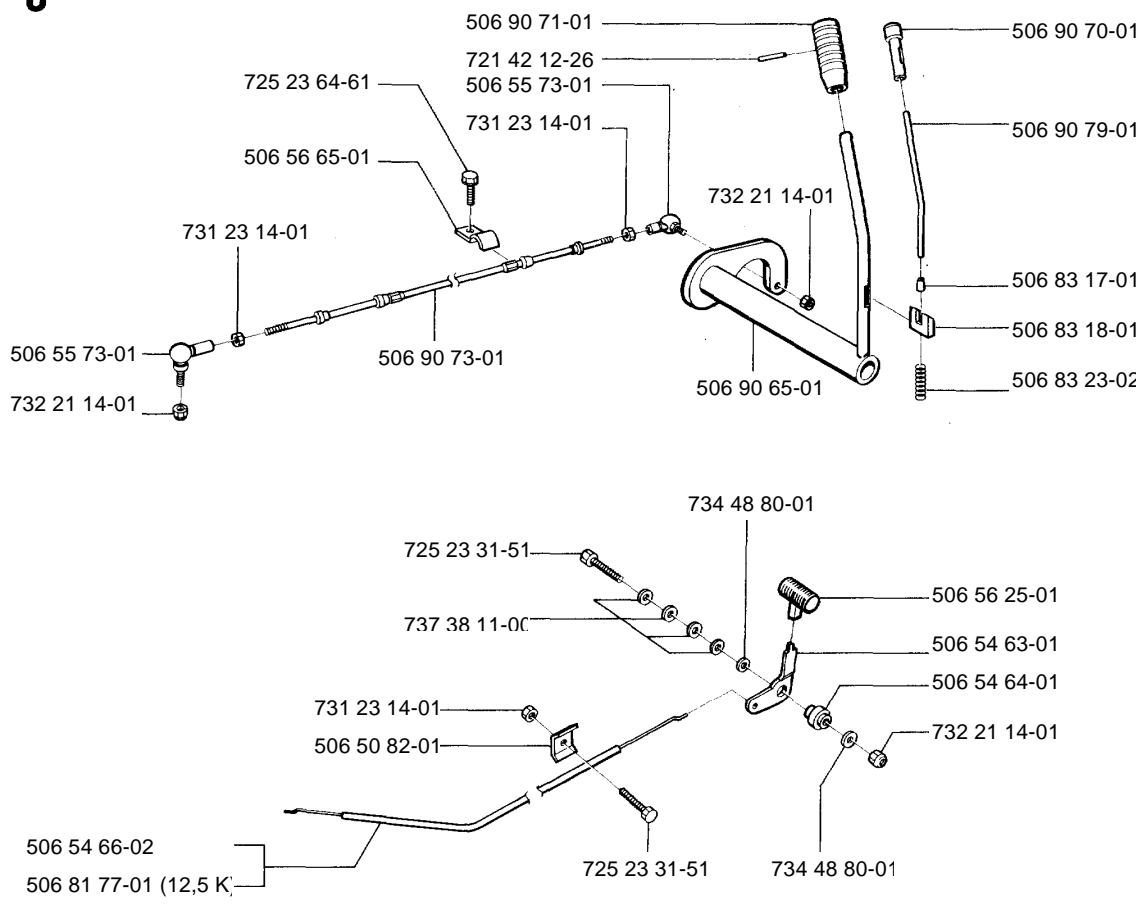
H

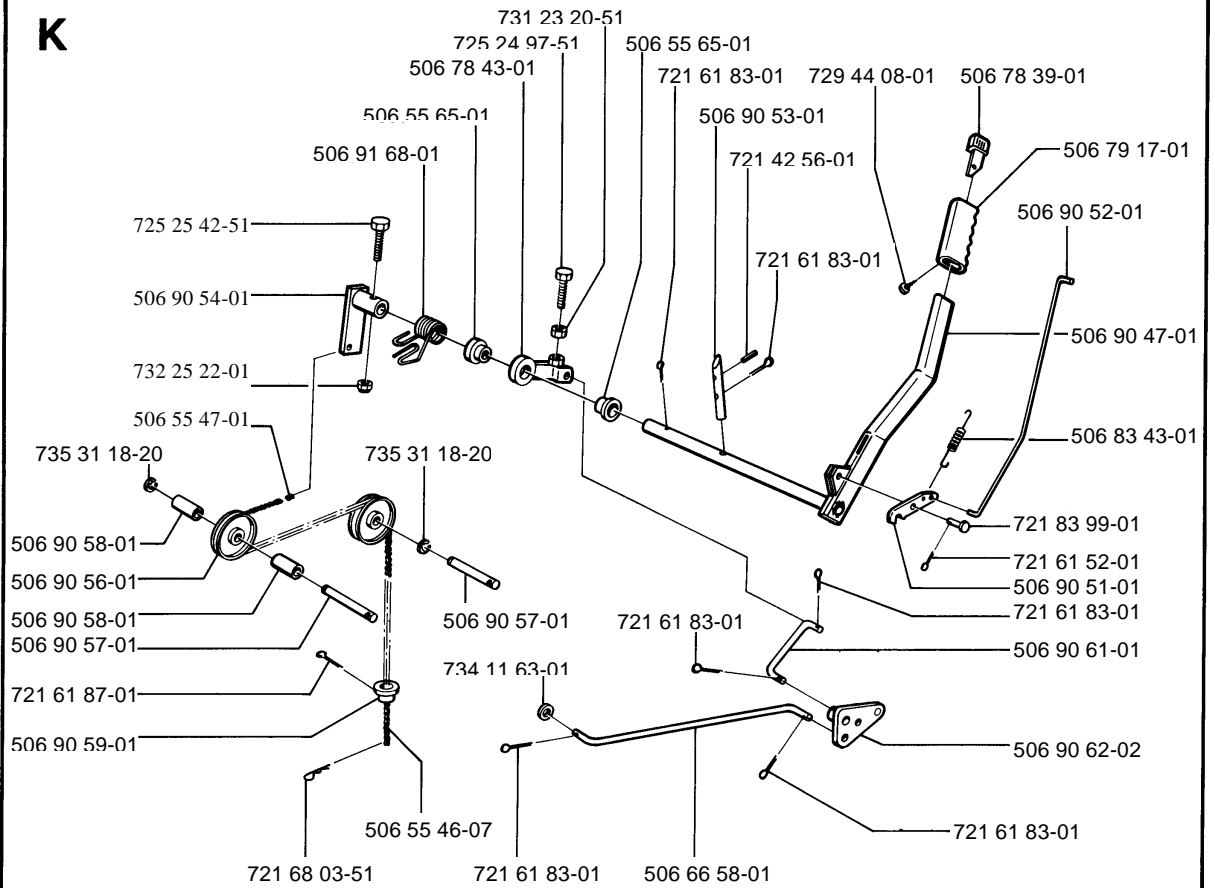
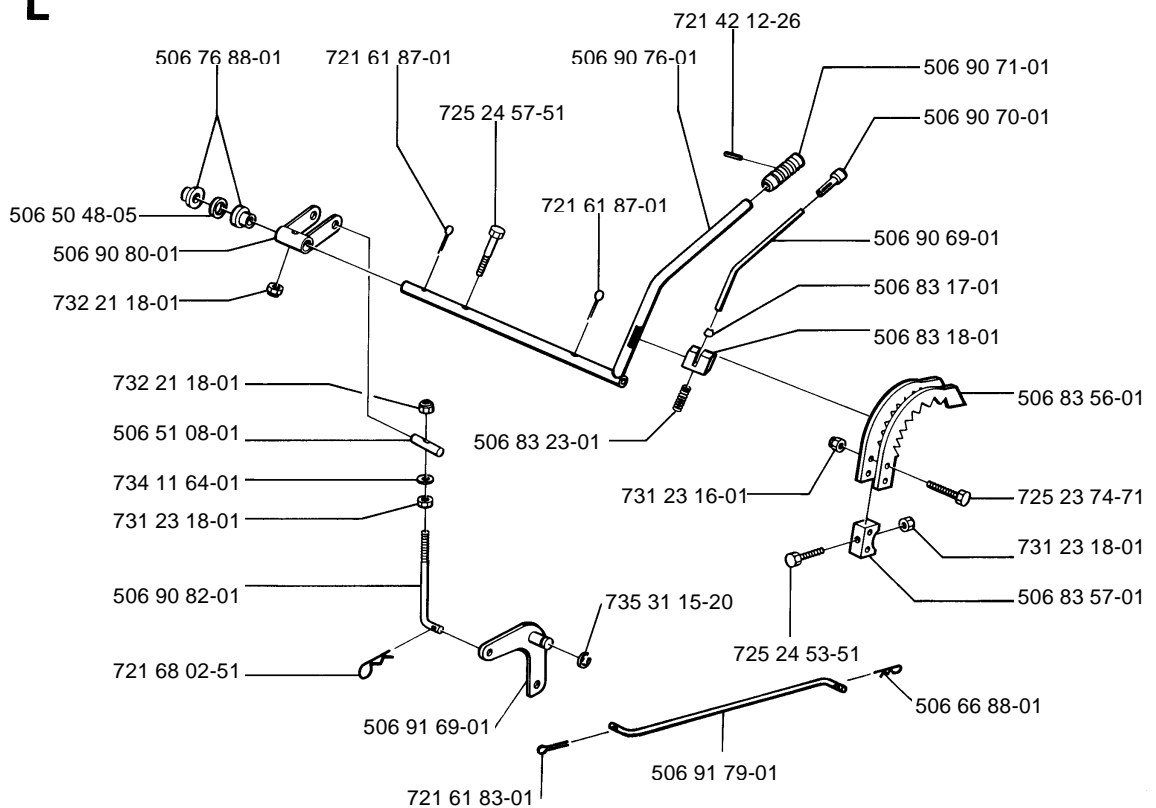


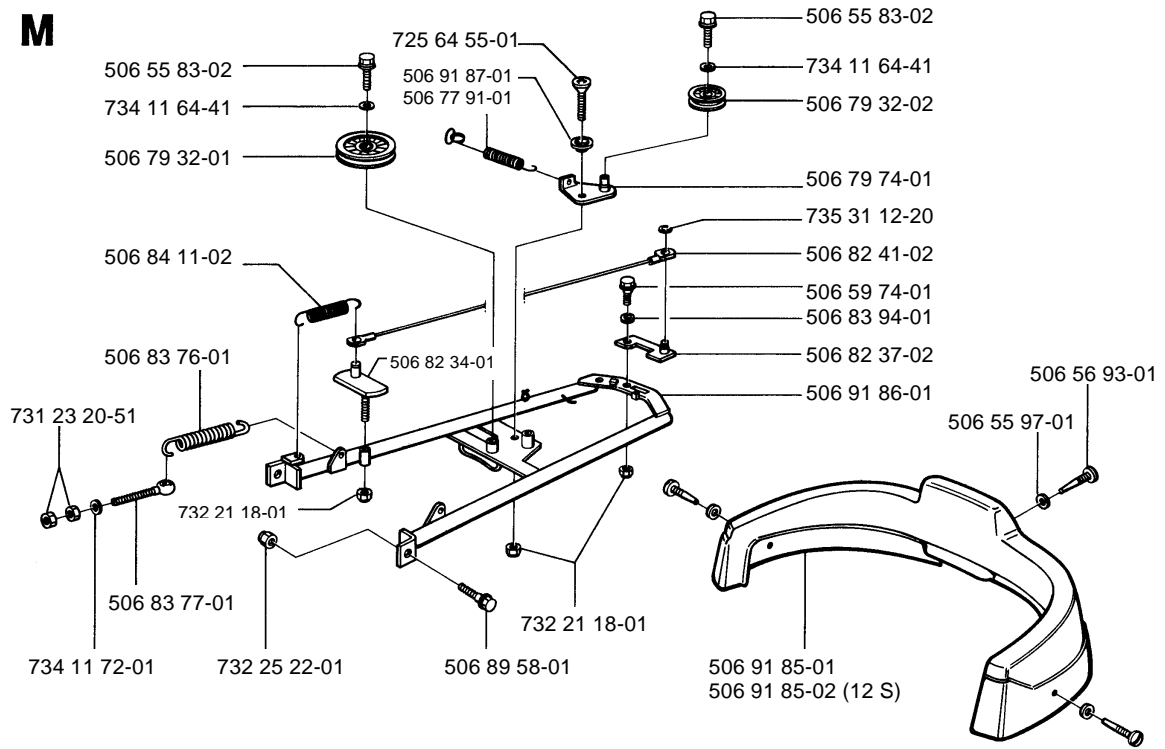
I



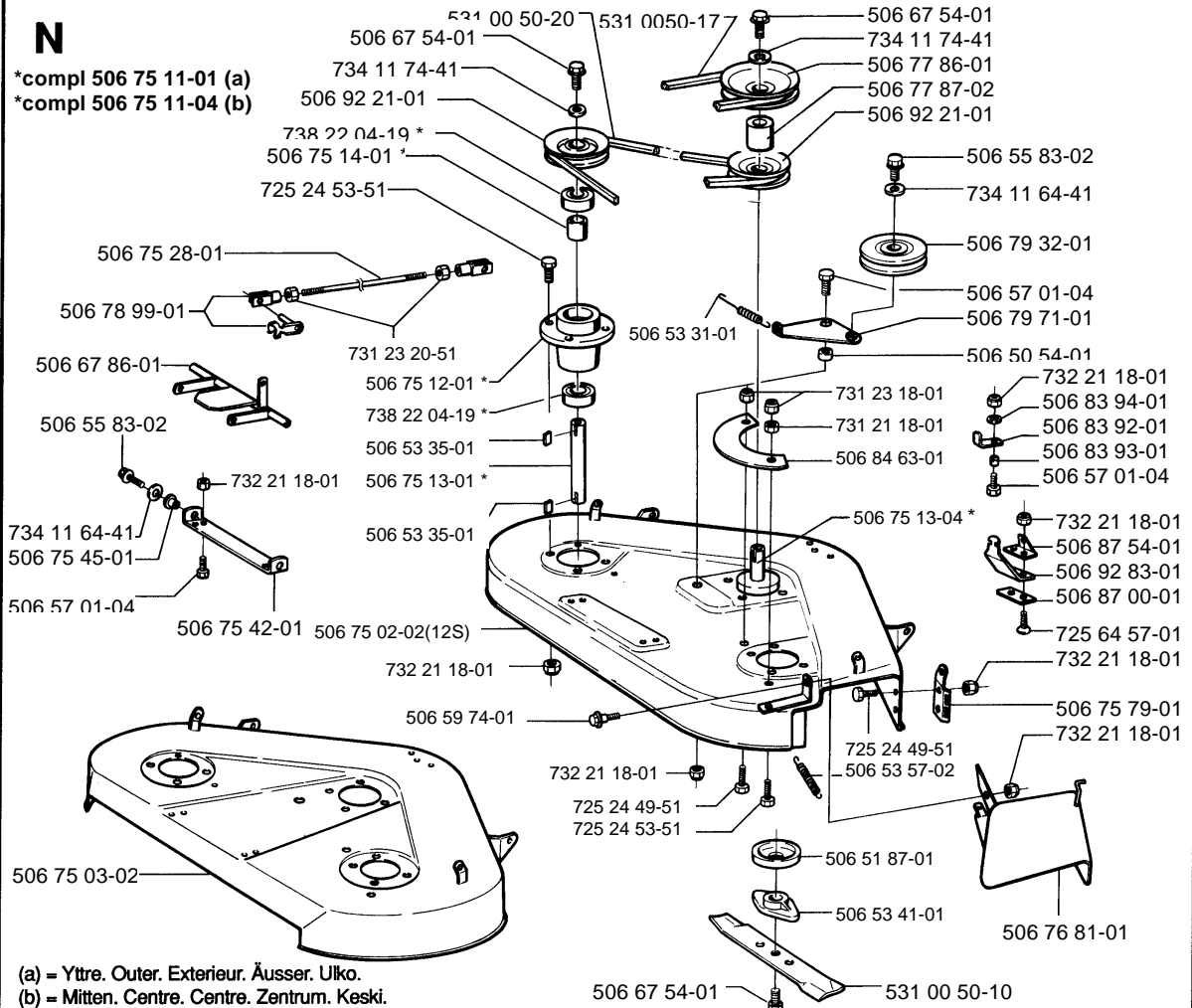
J



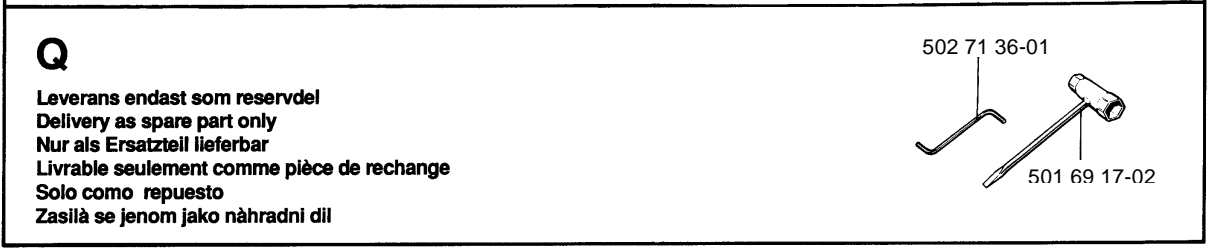
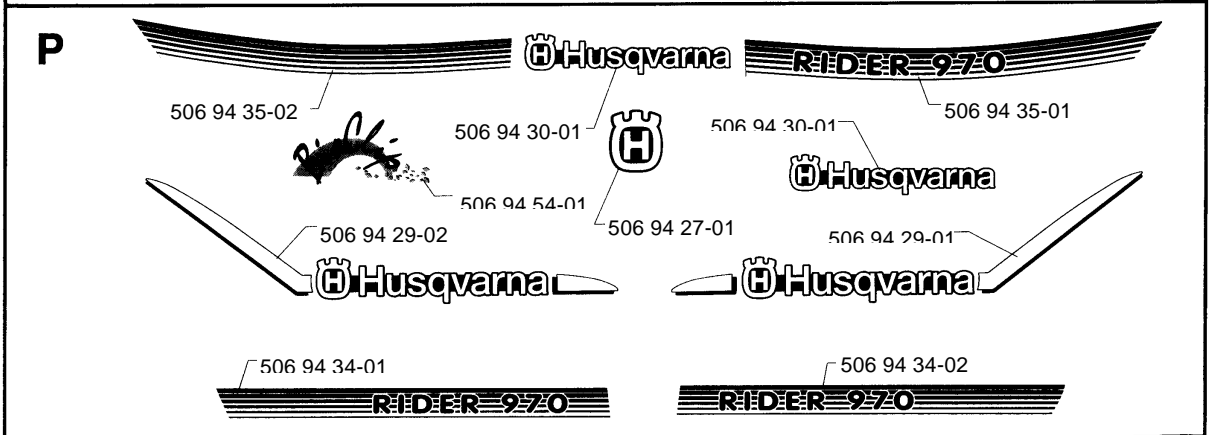
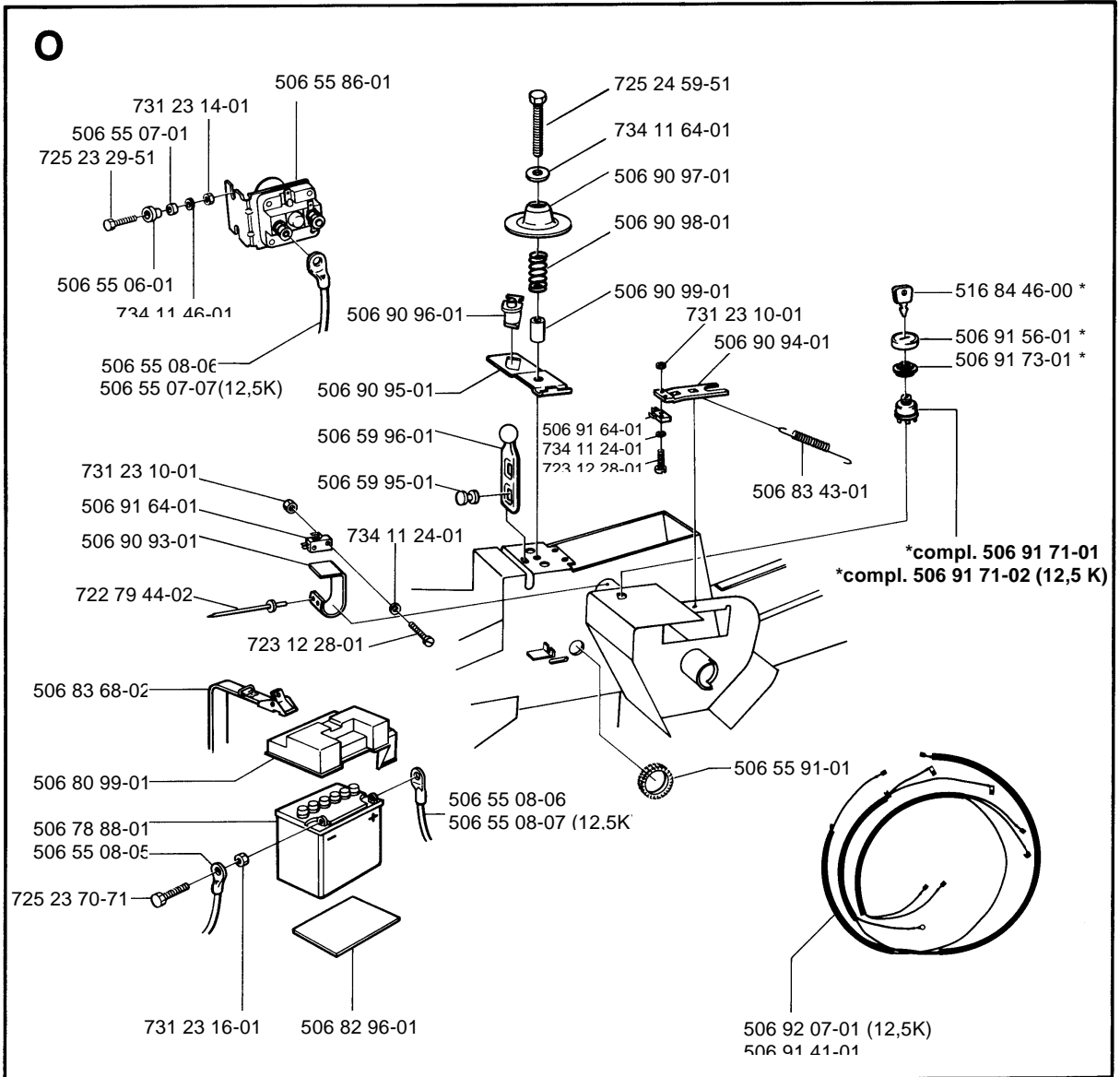
K**L**

M**N**

*compl 506 75 11-01 (a)
*compl 506 75 11-04 (b)

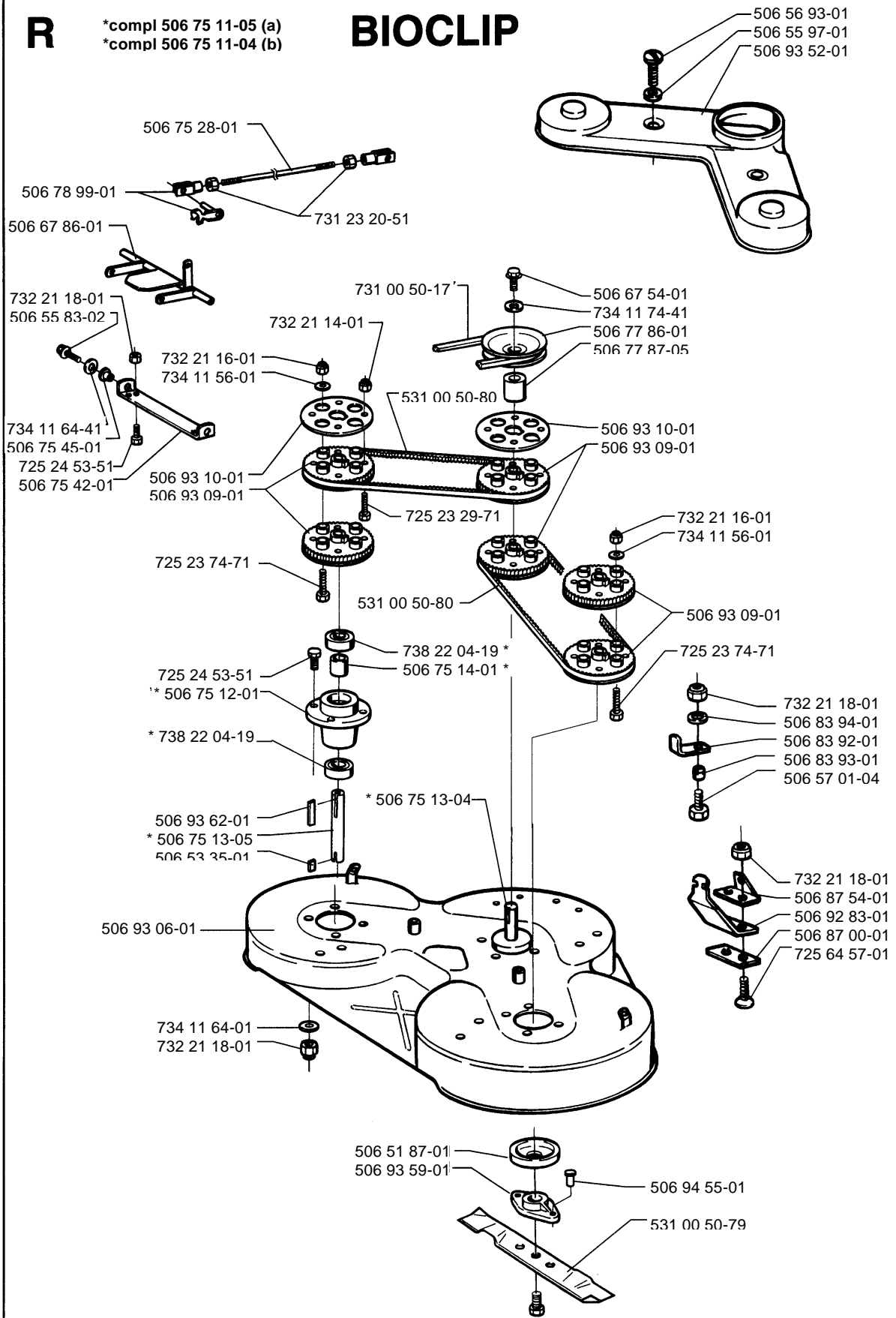


(a) = Yttre. Outer. Extérieur. Äusser. Ulko.
(b) = Mitten. Centre. Centre. Zentrum. Keski.



R

*compl 506 75 11-05 (a)
 *compl 506 75 11-04 (b)

BIOCLIP

(a) = Yttre. Outer. Exterior. Äusser. Ulko.
 (b) = Mitten. Center. Centre. Zentrum. Keski.

MODEL NUMBER R970

PART NUMBER	SQUARE	NOTE	PART NUMBER	SQUARE	NOTE	PART NUMBER	SQUARE	NOTE	PART NUMBER	SQUARE	NOTE
161 08 23-01	H		506 57 43-01	D		506 78 88-01	O		506 90 62-02	K	
501 69 17-02	Q		506 57 45-01	I		506 78 99-01	NR		506 90 65-01	J	
502 71 36-01	Q		506 57 51-01	H		506 79 10-01	E		506 90 69-01	L	
506 50 07-01	F		506 57 52-01	H		506 79 17-01	K		506 90 70-01	JL	
506 50 08-01	F		506 57 61-01	H		506 79 32-01	MN		506 90 71-01	JL	
506 50 34-01	D		506 57 63-01	E		506 79 32-02	M		506 90 73-01	J	
506 50 46-01	D		506 57 64-01	E		506 79 34-01	H		506 90 74-01	H	
506 50 48-01	D		506 58 52-01	E		506 79 45-01	G		506 90 76-01	L	
506 50 48-03	D		506 58 91-01	F		506 79 71-01	N		506 90 79-01	J	
506 50 48-05	DL		506 59 20-01	F		506 79 74-01	M		506 90 80-01	L	
506 50 54-01	N		506 59 46-01	E		506 80 27-01	D		506 90 82-01	L	
506 50 62-02	I		506 59 50-01	H		506 80 28-01	F		506 90 85-01	H	
506 50 65-01	I		506 59 51-01	H		506 80 99-01	O		506 90 87-01	G	
506 50 82-01	J		506 59 62-01	D		506 81 77-01	J		506 90 93-01	O	
506 50 92-01	G		506 59 74-01	BCEMN		506 81 92-01	E		506 90 94-01	O	
506 50 93-01	H		506 59 75-01	E		506 82 08-01	G		506 90 95-01	O	
506 50 94-01	H		506 59 92-01	I		506 82 34-01	M		506 90 96-01	O	
506 50 99-01	A		506 59 93-01	I		506 82 37-02	M		506 90 97-01	O	
506 51 08-01	L		506 59 95-01	O		506 82 41-02	M		506 90 98-01	O	
506 51 87-01	NR		506 59 96-01	O		506 82 47-01	H		506 90 99-01	O	
506 52 24-01	F		506 66 34-01	G		506 82 79-01	G		506 91 30-03	B	
506 53 31-01	N		506 66 42-01	E		506 82 96-01	O		506 91 30-04	B	
506 53 35-01	NR		506 66 45-01	E		506 83 17-01	JL		506 91 31-01	B	
506 53 41-01	N		506 66 56-01	H		506 83 18-01	JL		506 91 31-02	B	
506 53 56-02	I		506 66 58-01	K		506 83 23-01	L		506 91 32-02	B	
506 53 57-02	IN		506 66 84-01	G		506 83 23-02	J		506 91 32-03	B	
506 53 85-01	E		506 66 85-01	G		506 83 43-01	KO		506 91 34-01	B	
506 53 86-01	E		506 66 88-01	AL		506 83 56-01	L		506 91 35-02	B	
506 53 87-01	E		506 67 08-01	E		506 83 57-01	L		506 91 35-03	B	
506 53 88-01	E		506 67 19-01	E		506 83 68-02	O		506 91 36-01	B	
506 53 89-01	E		506 67 33-01	E		506 83 76-01	M		506 91 36-02	B	
506 53 94-01	F		506 67 44-01	H		506 83 77-01	M		506 91 37-01	E	
506 54 25-01	HI		506 67 45-01	H		506 83 80-01	C		506 91 38-01	E	
506 54 35-01	H		506 67 54-01	NR		506 83 90-01	D		506 91 39-01	E	
506 54 63-01	J		506 67 57-01	F		506 83 92-01	NR		506 91 41-01	O	
506 54 64-01	J		506 67 86-01	NR		506 83 93-01	NR		506 91 42-01	B	
506 54 66-02	J		506 67 91-01	C		506 83 94-01	BMNR		506 91 45-01	G	
506 55 06-01	O		506 67 91-02	C		506 84 11-02	M		506 91 47-01	G	
506 55 07-01	O		506 75 02-02	N		506 84 63-01	N		506 91 51-01	A	
506 55 08-05	O		506 75 03-02	N		506 86 21-01	E		506 91 53-01	A	
506 55 08-06	O		506 75 11-01	N		506 86 34-01	F		506 91 56-01	O	
506 55 08-07	O		506 75 11-04	NR	N	506 86 36-01	F		506 91 64-01	O	
506 55 36-01	B		506 75 11-05	R	N	506 87 00-01	NR		506 91 65-01	H	
506 55 43-01	F		506 75 12-01	NR		506 87 17-01	C		506 91 68-01	K	
506 55 44-01	F		506 75 13-01	N		506 87 17-02	C		506 91 69-01	L	
506 55 46-01	F		506 75 13-04	NR	N	506 87 26-01	C		506 91 71-02	O	
506 55 46-05	K		506 75 13-05	R	N	506 87 31-01	C		506 91 73-01	O	
506 55 47-01	FK		506 75 14-01	NR		506 87 32-01	C		506 91 76-01	E	
506 55 48-01	D		506 75 28-01	NR		506 87 41-01	C		506 91 79-01	L	
506 55 49-02	D		506 75 42-01	NR		506 87 54-01	NR		506 91 85-01	M	
506 55 50-01	D		506 75 45-01	NR		506 88 61-01	C	N	506 91 85-02	M	
506 55 59-01	G		506 75 79-01	N		506 88 77-01	I		506 91 86-01	M	
506 55 60-02	E		506 76 81-01	N		506 88 97-01	C		506 91 87-01	M	
506 55 62-01	A		506 76 88-01	L		506 88 99-01	H		506 91 91-01	I	
506 55 63-01	AG		506 76 96-01	E		506 89 20-01	E		506 92 02-01	G	
506 55 65-01	K		506 76 97-01	E		506 89 58-01	M		506 92 07-01	O	
506 55 73-01	J		506 76 98-01	E		506 89 90-01	D		506 92 21-01	N	N
506 55 78-01	H		506 77 05-02	I		506 90 40-01	G		506 92 30-01	D	N
506 55 83-02	HMNR		506 77 06-01	I		506 90 40-02	G		506 92 83-01	NR	
506 55 86-01	O		506 77 33-01	H		506 90 44-01	H		506 93 06-01	R	N
506 55 91-01	O		506 77 34-01	H		506 90 45-01	H		506 93 09-01	R	N
506 55 97-01	BMR		506 77 56-01	E		506 90 47-01	K		506 93 10-01	R	N
506 56 25-01	J		506 77 57-01	E		506 90 51-01	K		506 93 15-01	C	N
506 56 38-01	H		506 77 64-01	E		506 90 52-01	K		506 93 52-01	R	N
506 56 53-01	A		506 77 86-01	NR	N	506 90 53-01	K		506 93 59-01	R	N
506 56 55-01	A		506 77 87-02	N	N	506 90 54-01	K		506 93 62-01	R	N
506 56 65-01	J		506 77 87-05	R	N	506 90 56-01	K		506 94 27-01	P	N
506 56 93-01	BMR		506 77 91-01	M		506 90 57-01	K		506 94 29-01	P	N
506 57 01-03	E		506 78 18-02	I		506 90 58-01	K		506 94 29-02	P	N
506 57 01-04	NR		506 78 39-01	K		506 90 59-01	K		506 94 30-01	P	N
506 57 20-01	D		506 78 43-01	K		506 90 61-01	K		506 94 34-01	P	N

N=New part
 Neues teil
 Nouvelle piece
 Nueva pieza
 Ny detalj

MODEL NUMBER R970

PART NUMBER	SQUARE	NOTE	PART NUMBER	SQUARE	NOTE	PART NUMBER	SQUARE	NOTE	PART NUMBER	SQUARE	NOTE
506 94 34-02	P	N	734 11 64-01	CEGILOR							
506 94 35-02	P	N	734 11 64-41	EHMNR							
506 94 54-01	P	N	734 11 72-01	M							
506 94 55-01	R	N	734 11 74-41	ANR							
516 84 46-00	O		734 11 82-01	C							
531 00 50-10	N	N	734 48 80-01	J							
531 00 50-13	E	N	735 21 64-00	G							
531 00 50-14	E	N	735 31 09-20	I							
531 00 50-17	ENR	N	735 31 12-00	A							
531 00 50-20	N	N	735 31 12-20	M							
531 00 50-79	R	N	735 31 14-20	F							
531 00 50-80	R	N	735 31 15-20	L							
721 42 12-26	JL		735 31 17-00	C							
721 42 56-01	K		735 31 18-00	FH							
721 61 52-01	IK		735 31 18-20	K							
721 61 83-01	EKL		735 31 22-00	D							
721 61 87-01	KL		735 31 26-00	H							
721 68 02-51	L		735 31 38-10	EH							
721 68 03-51	K		735 31 40-10	FH							
721 83 99-01	IK		735 58 35-01	E							
722 78 54-02	B		737 38 11-00	J							
722 79 44-02	BO		738 21 04-04	EH							
723 12 28-01	O		738 21 05-04	H							
723 23 66-31	B		738 21 10-04	H							
725 23 29-51	O		738 22 04-19	FNR							
725 23 29-71	R	N	738 88 10-01	H							
725 23 31-51	J		738 88 70-02	H							
725 23 64-61	EJ		740 68 14-21	H							
725 23 66-51	H										
725 23 70-51	E										
725 23 70-71	O										
725 23 74-71	LR										
725 24 49-51	EGIN										
725 24 51-51	G										
725 24 52-51	G										
725 24 53-51	LNR										
725 24 55-51	H										
725 24 57-51	CGL										
725 24 59-51	HO										
725 24 61-51	I										
725 24 66-51	H										
725 24 69-51	H										
725 24 91-61	A										
725 24 93-71	H										
725 24 97-51	FK										
725 25 42-51	K										
725 54 99-55	E										
725 64 51-01	C										
725 64 55-01	M										
725 64 57-01	HNR										
728 74 55-05	F										
728 84 43-05	F										
729 44 08-01	K										
729 53 29-71	E										
729 54 14-01	E										
731 21 18-01	H										
731 23 10-01	O										
731 23 14-01	JO										
731 23 16-01	LO										
731 23 18-01	FGHLN										
731 23 20-51	EFKMNR										
732 21 14-01	BR										
732 21 16-01	ER										
732 21 18-01	BCEHILM										
732 21 20-51	F										
732 25 22-01	KM										
734 11 24-01	O										
734 11 46-01	BO										
734 11 53-01	E										
734 11 56-01	HR										
734 11 63-01	K										

N=New part
 Neues teil
 Nouvelle piece
 Nueva pieza
 Ny detalj