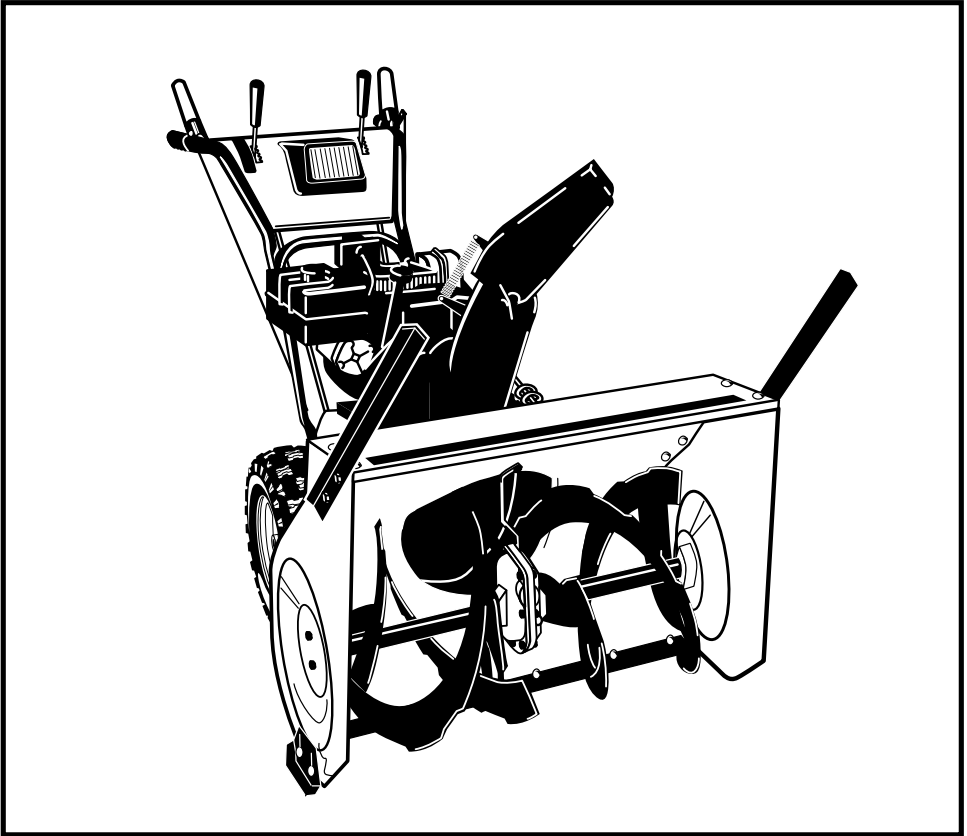


ST927E

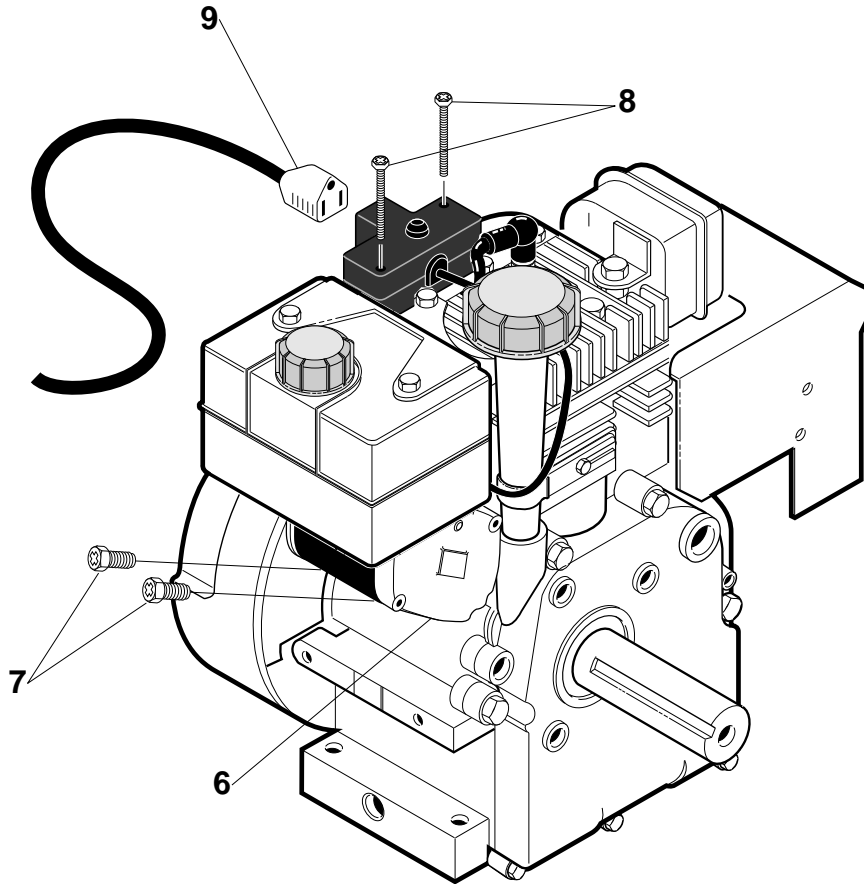


1996-01

Spare Parts

27" SNOW THROWER MODEL ST 927E

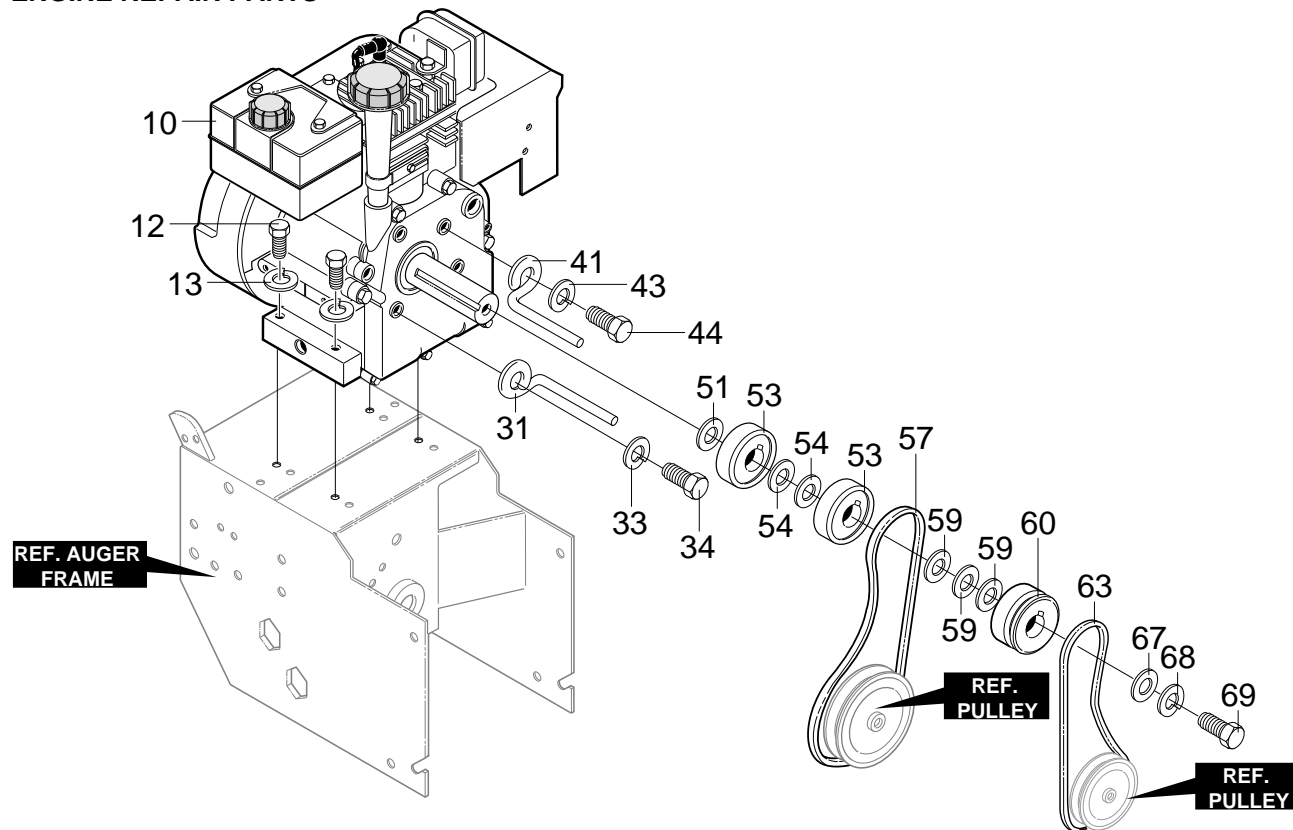
ELECTRIC START REPAIR PARTS



REF. NO	PART NO.	PART NAME
6	601 00 15-88	MOTOR, STARTER TEC. 120V
7	601 00 15-89	SCREW 1/4-20X.50 HWASEMSTOR
8	601 00 15-90	SCREW #6-32 X 2.50
9	601 00 15-91	CORD, STARTER MOTOR

27" SNOW THROWER MODEL ST 927E

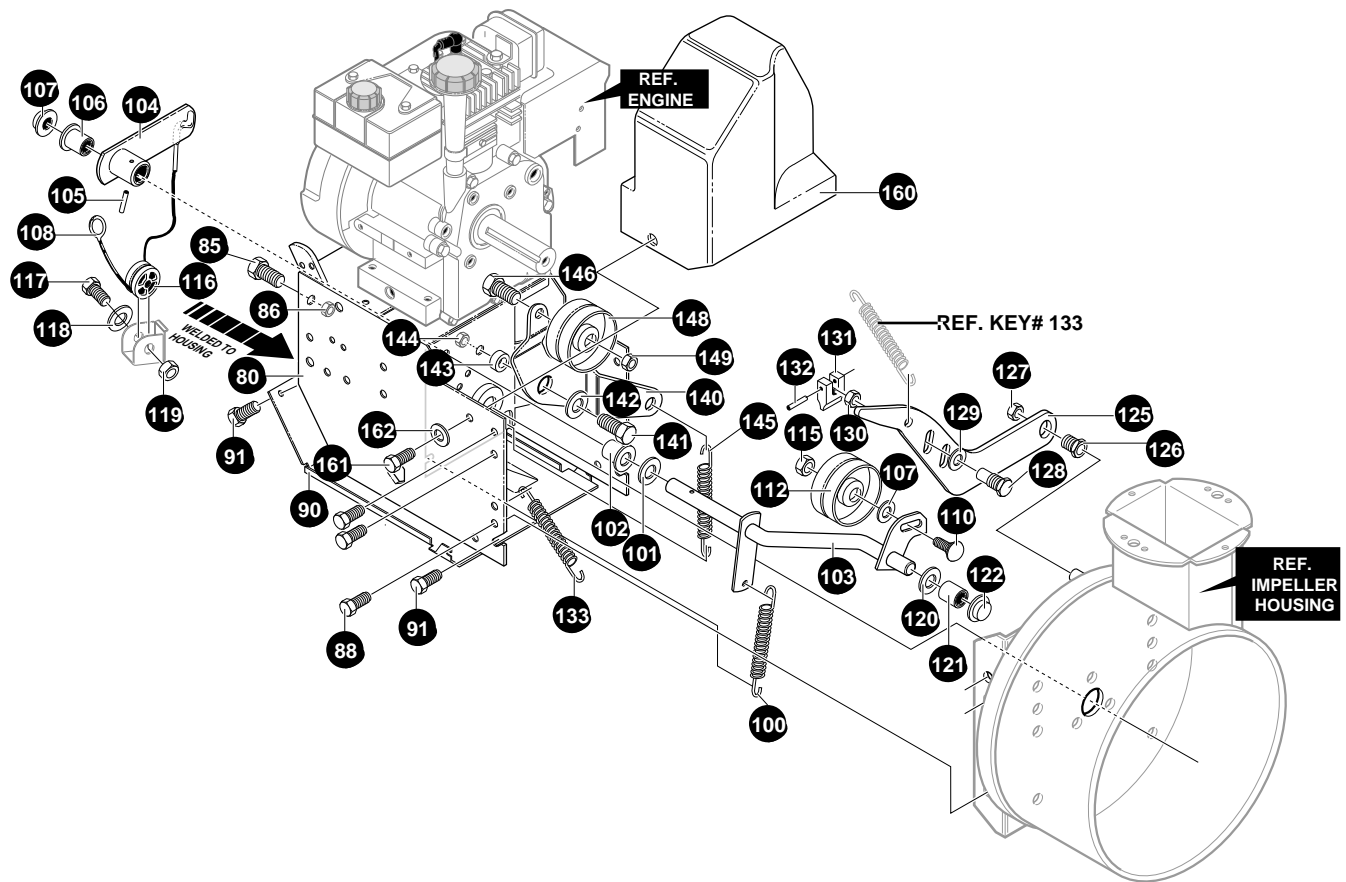
ENGINE REPAIR PARTS



REF. NO	PART NO.	PART NAME
10	ENGINE	9HP TEC (SEE ENGINE MANUAL)
12	601 00 15-92	SCREW, 5/16-18 X 1.50
13	601 00 00-23	WASHER, HVSPTLK .328X.60X.09
31	601 00 14-32	GUIDE, ROD BELT RH
33	601 00 00-23	WASHER, HVSPTLK .328X.60X.09
34	601 00 14-33	SCREW 5/16-24X.625
41	601 00 14-32	GUIDE, ROD BELT LH
43	601 00 00-23	WASHER, HVSPTLK .328X.60X.09
44	601 00 14-33	SCREW 5/16-24X.625
51	601 00 14-34	WASHER, CRANKSHAFT
53	601 00 14-36	PULLEY, HALF V3L 2.00X.752ID
54	601 00 14-35	FLATWASHER, .752X.91X.02
57	601 00 14-37	BELT, V 3L 33.13LG
59	601 00 14-38	FLATWASHER, .765X1.12X.06
60	601 00 15-93	PULLEY, ENGINE V 4L
63	601 00 15-94	BELT, V 4L 36.6LG
67	601 00 14-41	FLATWASHER
68	601 00 00-15	WASHER, REGSPTLK .393X.60X.10
69	601 00 05-27	SCREW 3/8-24 X 1.00 NYL
	601 00 18-43	OWNER'S MANUAL ENG/FR

27" SNOW THROWER MODEL ST 927E

FRAME REPAIR PARTS



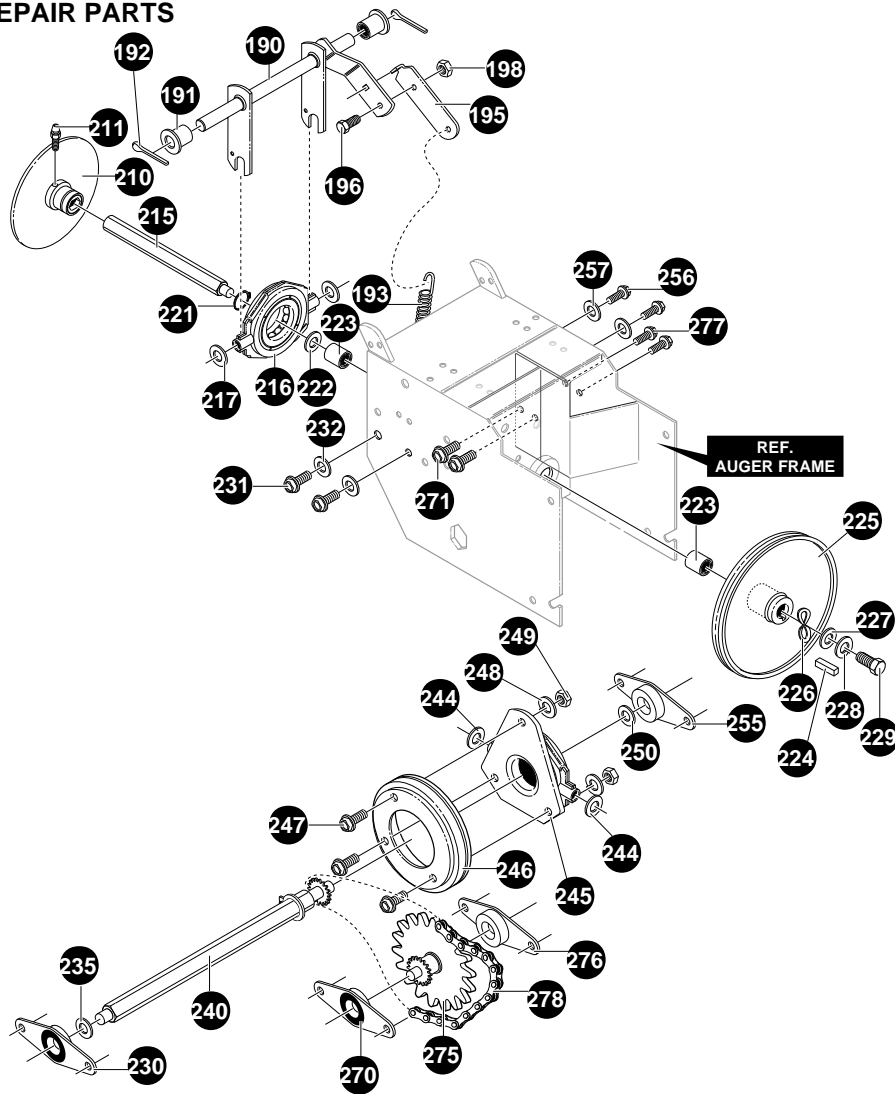
REF. NO	PART NO.	PART NAME
80	601 00 18-44	FRAME, ASSY ENG. MT.
85	601 00 14-43	SCREW 5/16-24X1.00
86	601 00 08 23	NUT, 5/16-24 HEXWD FLLK
88	601 00 05-19	SCREW, 5/16-18X.50 WAHHTAP
90	601 00 17-39	COVER, BOTTOM WHEEL DRIVE
91	601 00 14-45	SCREW 1/4-20 X .63 WAHHTAP
100	601 00 10-89	IDLER SPRING
101	601 00 14-46	FLATWASHER, .53X1.00X.063
102	601 00 14-47	BEARING FLANGE
103	601 00 15-97	ASSY, SHAFT AUG CLUTCH
104	601 00 14-49	LEVER, ASSY AUGER CLUTCH
105	601 00 14-51	SPRING PIN .165DIAX.88LG
106	601 00 14-47	BEARING, FLANGE
107	601 00 14-52	NUT, 1/2 PUSH ON
108	601 00 14-53	CABLE, .205 EYE 6.125LG
110	601 00 15-98	BOLT, 3/8-16X1.25 CARR.
111	601 00 00-20	FLATWASHER .406X.81X.065
112	601 00 14-54	PULLEY, IDLER
115	601 00 13-35	NUT, 3/8-16 HEXCTRLKJAM
116	601 00 14-55	SPOOL, CABLE AUGER CLUTCH
117	601 00 14-56	SCREW 1/4-20X1.75
118	601 00 00-18	FLATWASHER .281X.63X.065
119	601 00 00-62	NUT 1/4-20 REGHEXCTRLK
120	601 00 14-46	FLATWASHER .53X1.00X.063

REF. NO	PART NO.	PART NAME
121	601 00 15-99	BEARING SLEV .520IDX.70ODX.65
122	601 00 14-52	NUT 1/2 PUSH ON
125	601 00 16-05	BRACKET, BRAKE ARM
126	601 00 16-02	BOLT, BRAKE ARM 9/16-18
127	601 00 16-01	NUT 9/16-18 JAM CTRLK
128	601 00 16-04	BOLT-BRAKE ARM ADJ
129	601 00 14-73	FLATWASHER .505X1.00X.06
130	601 00 16-03	NUT 1/2-20 JAM CTRLK
131	601 00 14-59	PAD, AUGER/IMPELLER BRAKE
132	601 00 14-51	PIN, SPRING .165DIAX.88LG
133	601 00 14-60	SPRING, TENSION RETURN
140	601 00 14-61	LEVER, IDLER ARM TRACTION
141	601 00 00-73	SCREW 5/16-18X.75
142	601 00 14-62	FLATWASHER .328X1.25X.075
143	601 00 14-63	BUSHING, IDLER LEVER
144	601 00 14-64	NUT, 5/16-18 HEXNYL
145	601 00 10-89	IDLER SPRING
146	601 00 17-40	SCREW 3/8-16X1.25
148	601 00 14-54	PULLEY, IDLER
149	601 00 13-35	NUT, 3/8-16 HEXCTRLKJAM
160	601 00 14-65	COVER, BELT
161	601 00 14-45	SCREW 1/4-20X.63 WAHHTAP
162	601 00 00-18	FLATWASHER .281X.63X..065

334338B

27" SNOW THROWER MODEL ST 927E

DRIVE COMPONENT REPAIR PARTS



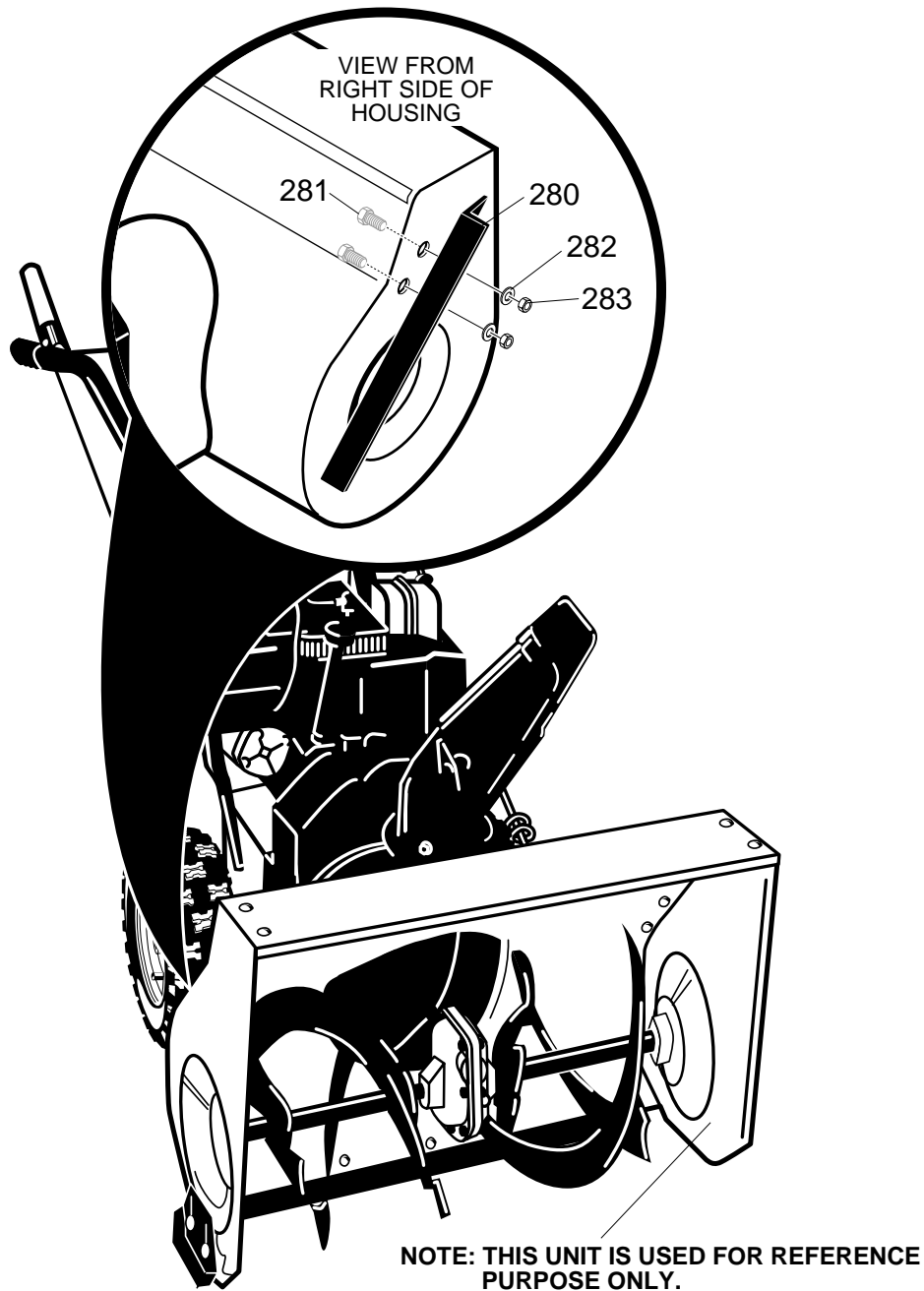
REF. NO	PART NO.	PART NAME
190	601 00 14-66	LEVER, ASSY TRACTION CLUTCH
191	601 00 14-47	BEARING, FLANGED
192	601 00 09-30	COTTER PIN .125 DIA X 1.00 LG
193	601 00 14-67	SPRING, RETURN
195	601 00 14-68	LEVER, SPRING TRAC CLUTCH
196	601 00 13-74	SCREW, 1/4-20 X .63
198	601 00 00-62	NUT, 1/4-20 REG HEX CTRLK
210	601 00 14-69	DISC, ASSY FRICTION WHEEL
211	601 00 14-70	ZERK, GREASE
215	601 00 14-71	SHAFT, HEX TRACTION
216	601 00 14-72	BEARING, TRUNION
217	601 00 14-73	FLATWASHER, .680 X 1.12 X .060
221	601 00 14-74	RING, RETEX 1.16 X .05 TRU
222	601 00 14-75	FLATWASHER, .680 X 1.12 X .060
223	601 00 05-65	BEARING, BALL 6203-2AA-C3
224	601 00 14-76	KEY, SQUARE .18 S Q X .63 LG
225	601 00 14-77	PULLEY, V3L 6.50 X .56
226	601 00 14-78	WASHER, WAVE .675 X 1.00 X .020
227	601 00 00-03	FLATWASHER, .281 X 1.00 X .063
228	601 00 00-14	WASHER, RSPTLK .263 X .49 X .07
229	601 00 00-68	SCREW 1/4-20 X .75

REF. NO	PART NO.	PART NAME
230	601 00 14-79	BEARING & RETAINER ASSY
231	601 00 05-19	SCREW 5/16-18 X .50 WAHHTAP
232	601 00 00-23	WASHER, HVSP T LK .328 X .60 X .09
235	601 00 14-80	WASHER, SP .502 X .75 X .0605
240	601 00 14-81	SHAFT & SPROCKET ASSY
244	601 00 14-73	FLATWASHER .505 X 1.00 X .06
245	601 00 17-41	BEARING, TRUNION CLUTCH
246	601 00 14-83	WHEEL, ASSY FRICTION DISC
247	601 00 13-74	SCREW, 1/4-20 X .63
248	601 00 00-14	WASHER, RGSPTLK .263 X .49 X .07
249	601 00 00-11	NUT, 1/4-20 REG HEX
250	601 00 14-80	WASHER, SP .502 X .75 X .0605
255	601 00 14-79	BEARING & RETAINER ASSY
256	601 00 05-19	SCREW, 5/16-18 X .50 WAHHTAP
257	601 00 00-23	WASHER, HVSP T LK .328 X .60 X .09
270	601 00 14-79	BEARING & RETAINER ASSY
271	601 00 05-19	SCREW, 5/16-18 X .50 WAHHTAP
275	601 00 16-06	JACK, ASSY #41-36 T & 7 T W/PBRG
276	601 00 14-79	BEARING & RETAINER ASSY
277	601 00 05-19	SCREW 5/16-18 X .50 WAHHTAP
278	601 00 14-86	CHAIN ROLLER #42 X 40P

313995F

27" SNOW THROWER MODEL ST 927E

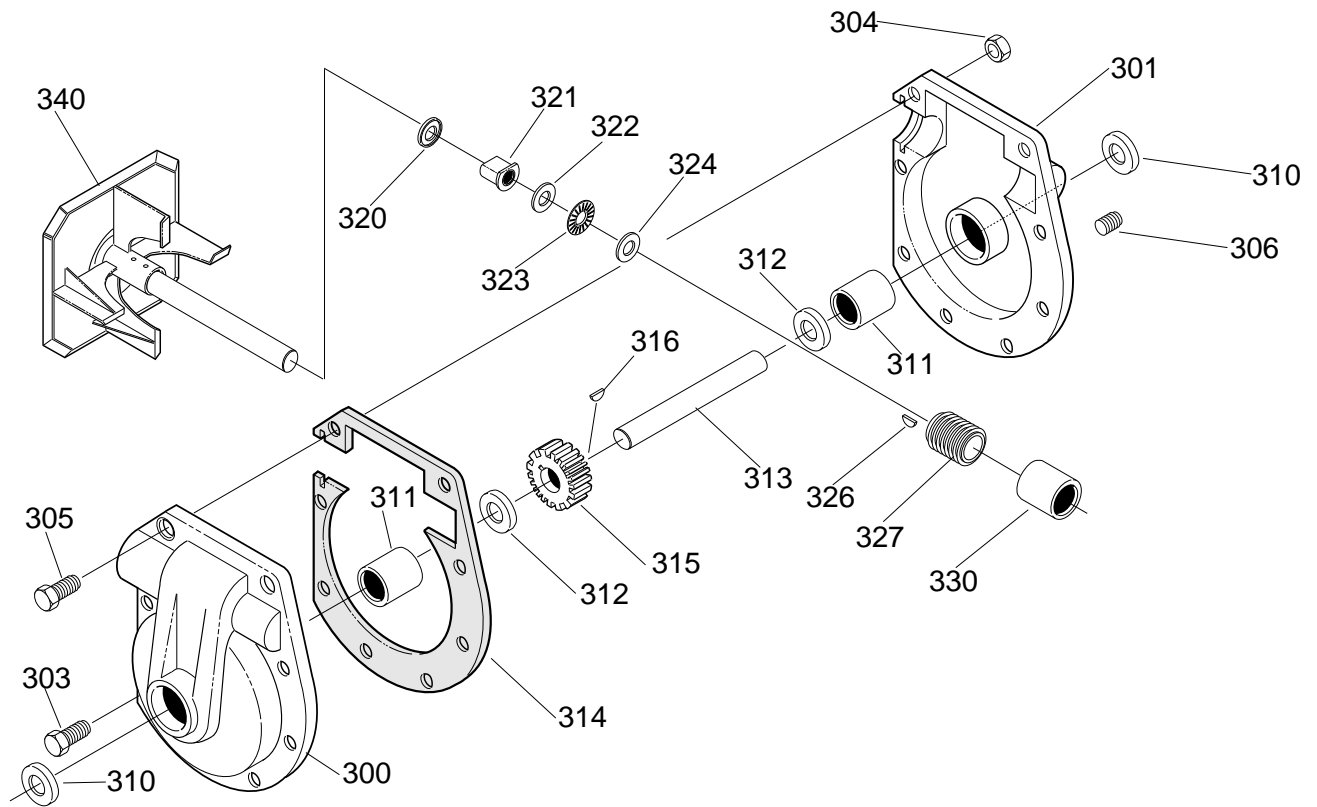
DRIFT CUTTER BARS REPAIR PARTS



REF. NO	PART NO.	PART NAME
280	601 00 18-45	BAR, DRIFT CUTTER
281	601 00 14-11	BOLT, 5/16-18X.75 CARR.
282	601 00 00-23	WASHER, HVSP TLK .328X.60X.09
283	601 00 00-12	NUT, 5/16-18 REG HEX

27" SNOW THROWER MODEL ST 927E

GEAR BOX REPAIR PARTS

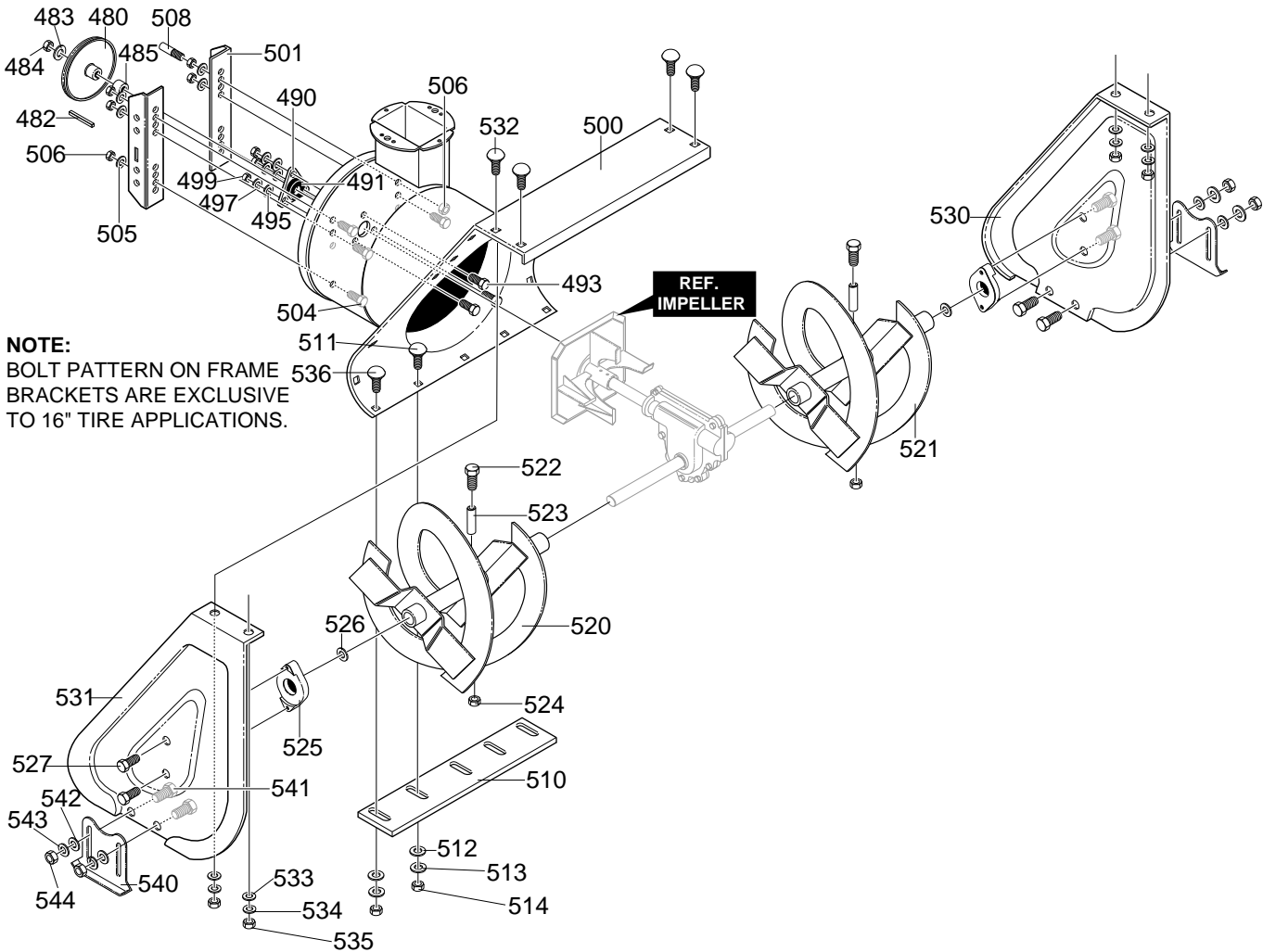


REF. NO	PART NO.	PART NAME
300	601 00 14-87	CASE, GEAR RH
301	601 00 14-88	CASE, GEAR LH
303	601 00 14-43	SCREW 5/16-24X1.00
304	601 00 08-23	NUT, 5/16-24 HEXWDFLLK
305	601 00 16-07	SCREW, 5/16-24X1.50
306	601 00 14-90	PIPE PLUG
310	601 00 14-91	SEAL, OIL
311	601 00 14-92	BEARING, SLEEVE
312	601 00 14-93	FLATWASHER
313	601 00 14-94	SHAFT, AUGER OUTPUT 25"
314	601 00 14-95	GASKET, GEAR BOX
315	601 00 14-96	WORM GEAR
316	601 00 14-97	KEY, WOODRUFF #91
320	601 00 14-98	RING, QUAD
321	601 00 14-99	BEARING, FLANGE
322	601 00 15-00	FLATWASHER .752X1.24X.093
323	601 00 15-01	BEARING, ROLL
324	601 00 15-00	FLATWASHER .752X1.24X.093
326	601 00 15-02	KEY, HI-PRO 606
327	601 00 15-03	WORM GEAR
330	601 00 15-04	BRING, SLEV .752IDX.88ODX.755
340	601 00 15-05	IMPELLER, ASSY

314014C

27" SNOW THROWER MODEL ST 927E

AUGER HOUSING REPAIR PARTS



NOTE:
BOLT PATTERN ON FRAME 536
BRACKETS ARE EXCLUSIVE
TO 16" TIRE APPLICATIONS.

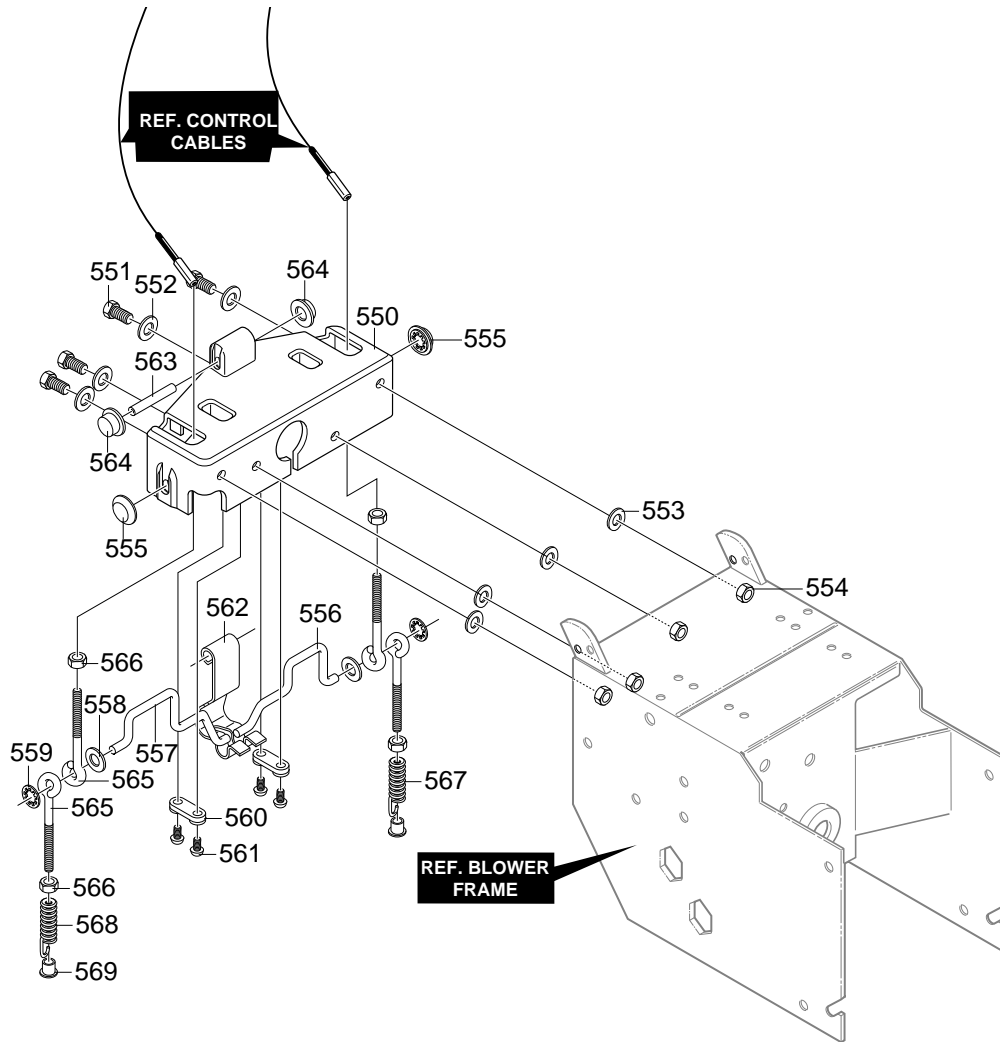
REF. NO	PART NO.	PART NAME
480	601 00 16-09	PULLEY, V4L 8.40
482	601 00 15-07	KEY, SQUARE .18SQX.88LG
483	601 00 14-46	FLATWASHER, .53X1.00X.063
484	601 00 01-07	NUT, 1/2-20 REGHXCTRLK
485	601 00 16-10	SPACER, SLEV .676X1.00X.53
490	601 00 15-09	RETAINER, BALL
491	601 00 05-65	BRING, BALL 6203-2AA-C3
493	601 00 00-73	SCREW 5/16-18X.75
495	601 00 00-19	FLATWASHER .344X.69X.065
497	601 00 00-23	WASHER, HVSPTLK .328X.60X.09
499	601 00 00-12	NUT, 5/16-18 REGHEX
500	601 00 15-10	HOUSING, ASSY 27/12
501	601 00 16-12	BRACKET & NUTS ASSY
504	601 00 15-12	SCREW 3/8-16X.75
505	601 00 00-15	WASHER, RGSPTLK .393X.68X.10
506	601 00 00-60	NUT 3/8-16 REGHEXCTRLK
508	601 00 17-42	STUD, BRAKE ARM
510	601 00 18-46	BLADE, SCRAPER 27"
511	601 00 14-11	BOLT, 5/16-18X.75 CARR.
512	601 00 00-19	FLATWASHER .344X.69X.065
513	601 00 17-44	WASHER, SPTLK .328X.60X.09

REF. NO	PART NO.	PART NAME
514	601 00 00-12	NUT, 5/16-18 REGHEX
520	601 00 18-72	AUGER, ASSY LH 25"
521	601 00 18-73	AUGER, ASSY RH 25"
522	601 00 14-56	SCREW 1/4-20X1.75
523	601 00 15-17	SPACER, SLEV .250X.47X.20
524	601 00 00-62	NUT 1/4-20 REGHEXCTRLK
525	601 00 15-18	AUGER SHAFT BEARING
526	601 00 15-19	FLATWASHER 1.005X1.31X.035
527	601 00 05-20	SCREW, 5/16-18X.75 WAHTAP
530	601 00 15-20	PLATE, AUGER HSNG LH
531	601 00 15-21	PLATE, AUGER HSNG RH
532	601 00 14-11	BOLT 5/16-18X.75 CARR.
533	601 00 00-19	FLATWASHER .344X.69X.065
534	601 00 00-23	WASHER, HVSPTLK .328X.60X.09
535	601 00 00-12	NUT, 5/16-18 REGHEX
536	601 00 08-99	BOLT, 5/16-18X1.00 CARR.
540	601 00 17-45	SKID, HEIGHT ADJUST
541	601 00 14-11	BOLT, 5/16-18X.75 CARR.
542	601 00 00-19	FLATWASHER .344X.69X.065
543	601 00 00-23	WASHER, HVSPTLK .31X.58X.08
544	601 00 00-12	NUT, 5/16-18 REGHEX

334395A

27" SNOW THROWER MODEL ST 927E

SINGLE HAND CONTROL REPAIR PARTS

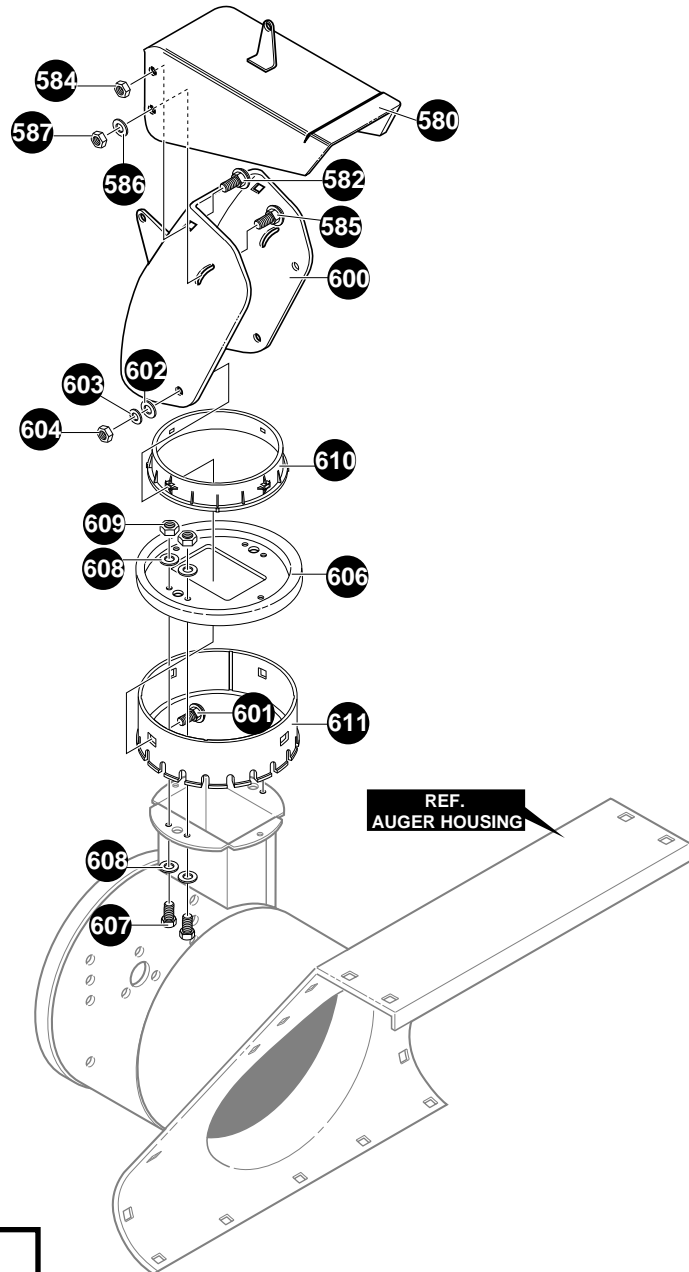


REF. NO	PART NO.	PART NAME
550	601 00 16 19	HOUSING, SGL HAND CONTROL
551	601 00 00 73	SCREW, 5/16-18X.75
552	601 00 00 19	FLATWASHER, .344X.69X.065
553	601 00 00 23	WASHER, HVSP TLK .328X.60X.09
554	601 00 00 12	NUT, 5/16-18 REG HEX
555	601 00 05 11	NUT, PUSH ON CAP
556	601 00 16 20	CAM/LATCH, LH SHC
557	601 00 16 21	CAM/LATCH, RH SHC
558	601 00 00 19	FLATWASHER, .344X.69X.065
559	601 00 16 22	RING, RETEX
560	601 00 16 23	CLAMP, SHC CAM FRAME MTD
561	601 00 16 24	SCREW #8X.75 PANTAPPLAST
562	601 00 16 25	CAM LOCK
563	601 00 16 26	PIN, SPRING PIVOT
564	601 00 12 91	NUT, PUSH ON 3/8"
565	601 00 16 27	BOLT, EYE 10-24X2.50 W 3/8
566	601 00 16 28	NUT, #10-24 REG HEX
567	601 00 16 29	SPRING, DRIVE CLUTCH 2.75
568	601 00 16 30	SPRING, AUGER CLUTCH 2.38
569	601 00 16 31	NUT, 10-24 T

334072A

27" SNOW THROWER MODEL ST 927E

DISCHARGE CHUTE REPAIR PARTS

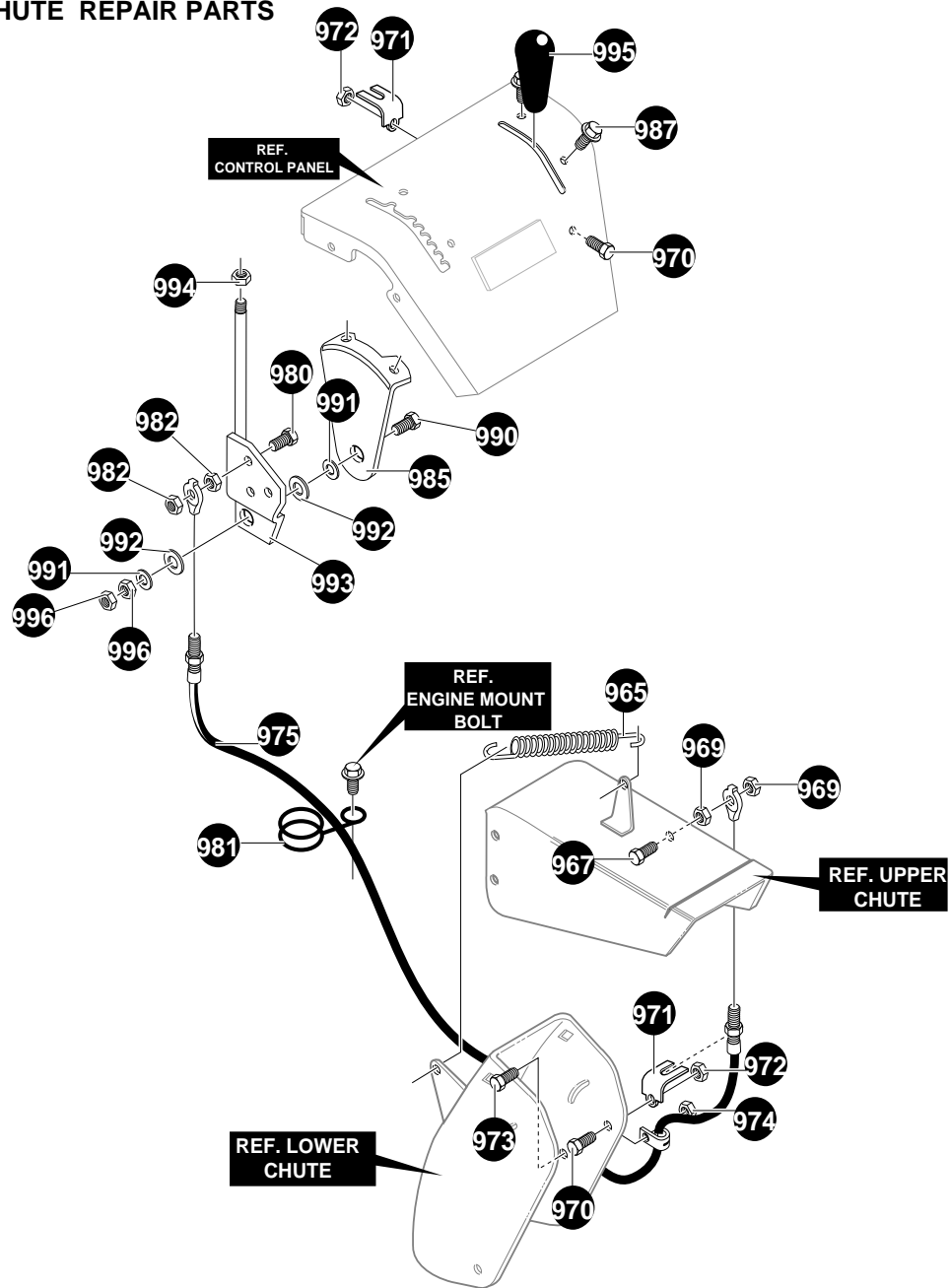


REF. NO	PART NO.	PART NAME
580	601 00 18-47	CHUTE, UPPER
582	601 00 13-91	SCREW, 5/16-18X.75 SLTRMA
584	601 00 14-64	NUT, 5/16-18 HEXNYL
585	601 00 13-91	SCREW, 5/16-18X.75
586	601 00 15-24	WASHER, PLASTIC .315X.75X.064
587	601 00 14-64	NUT, 5/16-18 HEXNYL
600	601 00 18-48	CHUTE, LOWER
601	601 00 08-99	BOLT 5/16-18X1.00 CARR.
602	601 00 00-19	FLATWASHER .344X.69X.065
603	601 00 14-64	NUT 5/16-18 HEXNYL
606	601 00 18-38	COLLAR, CHUTE RECT.
607	601 00 00-68	SCREW 1/4-20X.75
608	601 00 00-18	FLATWASHER, .281X.63X.065
609	601 00 00-62	NUT, 1/4-20 REGHEXCTRLK
610	601 00 18-39	RETAINER, RING INNER
611	601 00 18-40	RETAINER, RING OUTER

335094C

27" SNOW THROWER MODEL ST 927E

DISCHARGE CHUTE REPAIR PARTS



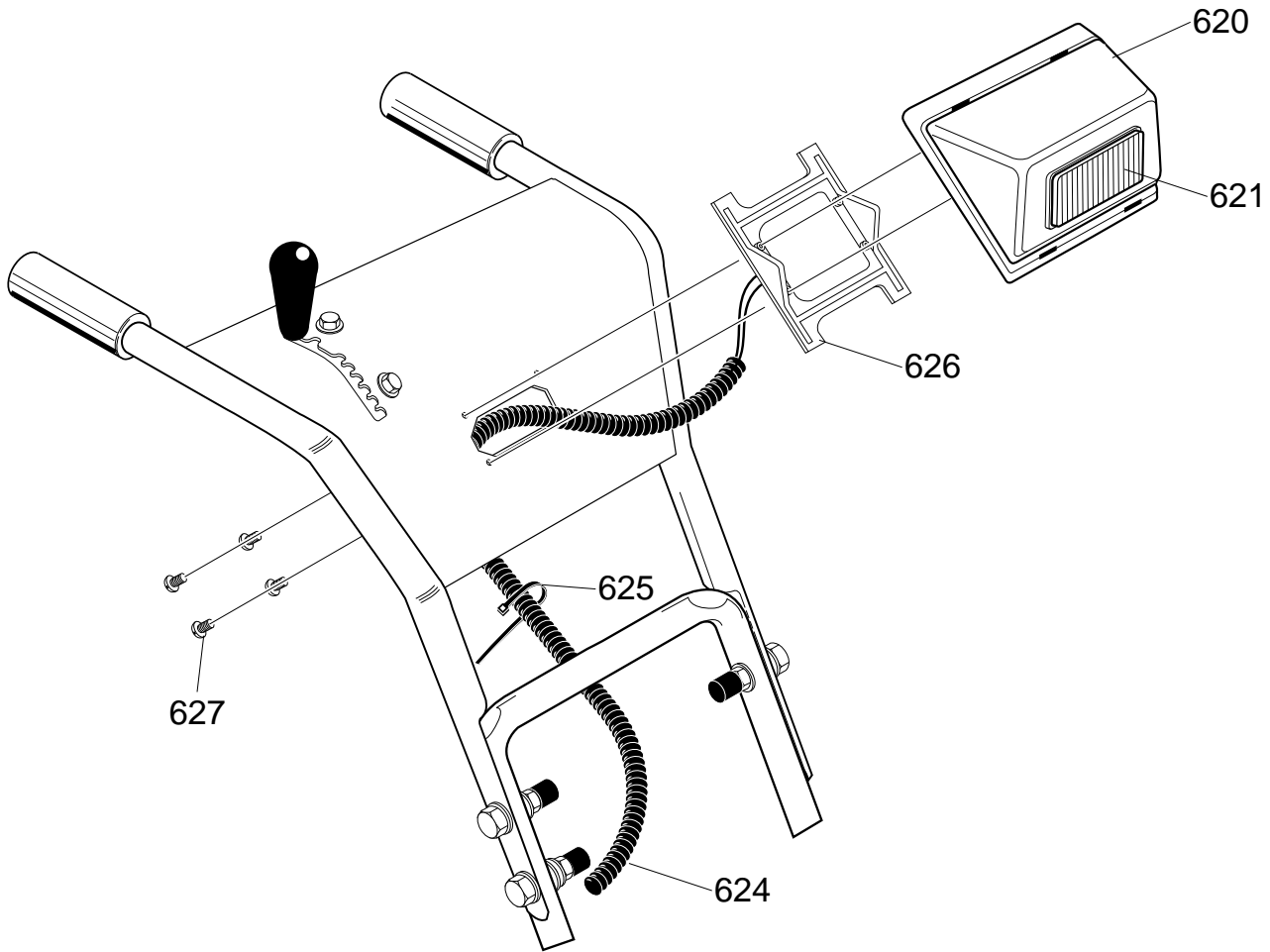
REF. NO	PART NO.	PART NAME
965	601 00 16-38	SPRING, TENSION
967	601 00 16-39	SCREW 1/4-20X1.00
969	601 00 00-62	NUT, 1/4-20 REGHEXCTRLK
970	601 00 16-40	SCREW 5/16-18X.50
971	601 00 16-41	BRACKET, CABLE CHUTE
972	601 00 00-59	NUT, 5/16-18 REGHEXCTRLK
973	601 00 05-14	SCREW, 10-24X.38 SLHWATAP
974	601 00 16-42	NUT, #10-24 HEXNYLLK
975	601 00 16-43	CABLE, CHUTE CONTROL
980	601 00 16-39	SCREW 1/4-20X1.00
981	601 00 16-45	WIRE, FORM REMOTE CABLE
982	601 00 00-62	NUT, 1/4-20 REGHEXCTRLK

REF. NO	PART NO.	PART NAME
985	601 00 18-74	BRACKET, SPEED CONTROL
987	601 00 05-19	SCREW, 5/16-18X.T0 WAHHTAP
990	601 00 00-34	SCREW, 3/8-16X1.75
991	601 00 00-20	FLATWASHER, .406X.81X.065
992	601 00 16-47	WASHER, SPRING .392X1.05X.08
993	601 00 15-59	HANDLE, ASSY SPD CONTROL
994	601 00 00-60	NUT, 3/8-16 REGHEXCTRLK
995	601 00 02-36	HANDLE, 3/8-16
996	601 00 06-53	NUT, 3/8-16 HEXNYL

335094E

27" SNOW THROWER MODEL ST 927E

LIGHT PANEL REPAIR PARTS

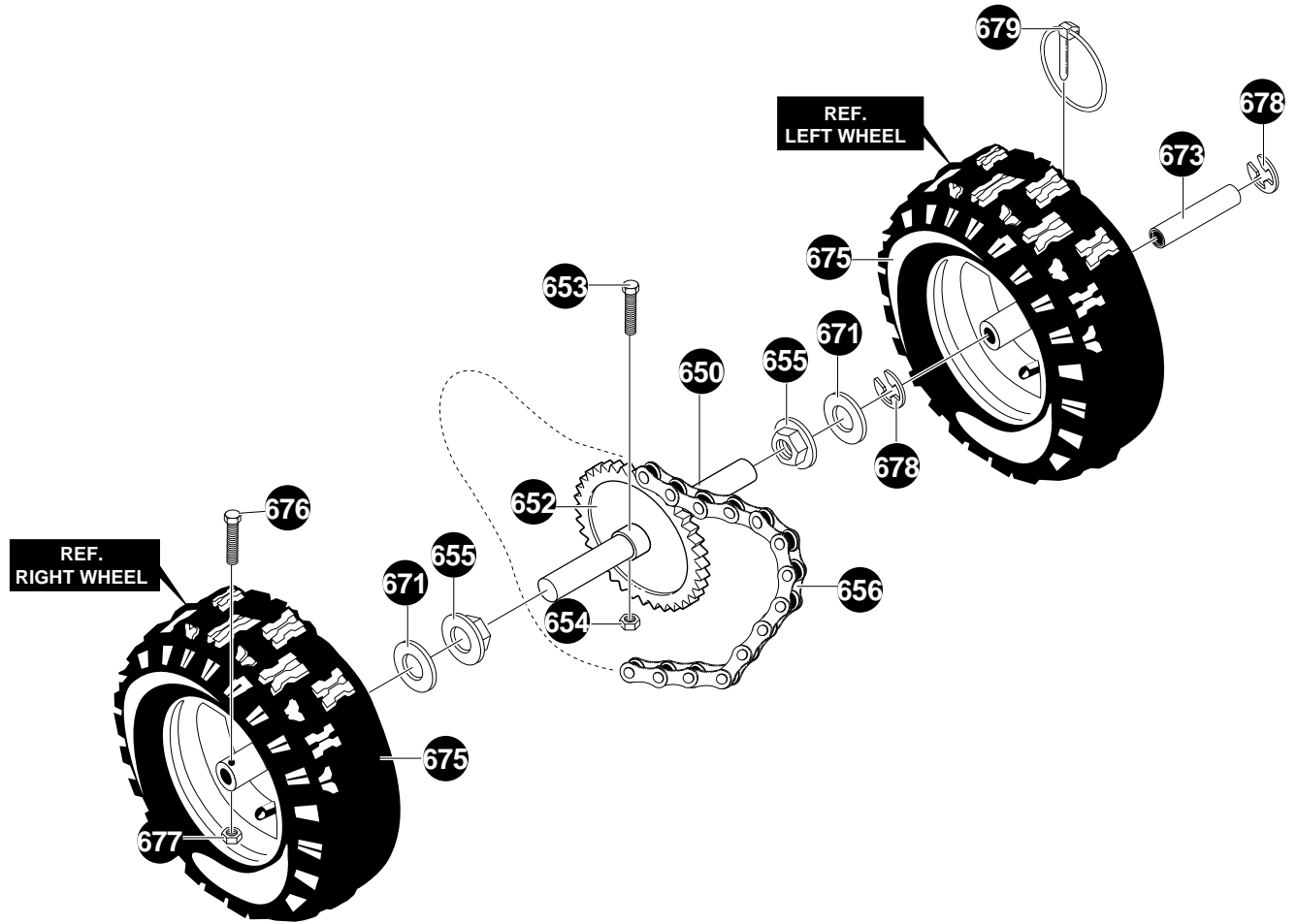


REF. NO	PART NO.	PART NAME
620	601 00 16-48	HOUSING, LIGHT B/S
621	601 00 16-49	HEADLIGHT, ASSY
624	601 00 16-50	ASSY, HDLIGHT WIRE HARNESS
625	601 00 06-28	TIE, CABLE
626	601 00 16-51	BRACKET, LIGHT PANEL
627	601 00 16-24	SCREW, #8X.75 PANTAPPLAST

334082A

27" SNOW THROWER MODEL ST 927E

WHEEL ASSEMBLY REPAIR PARTS

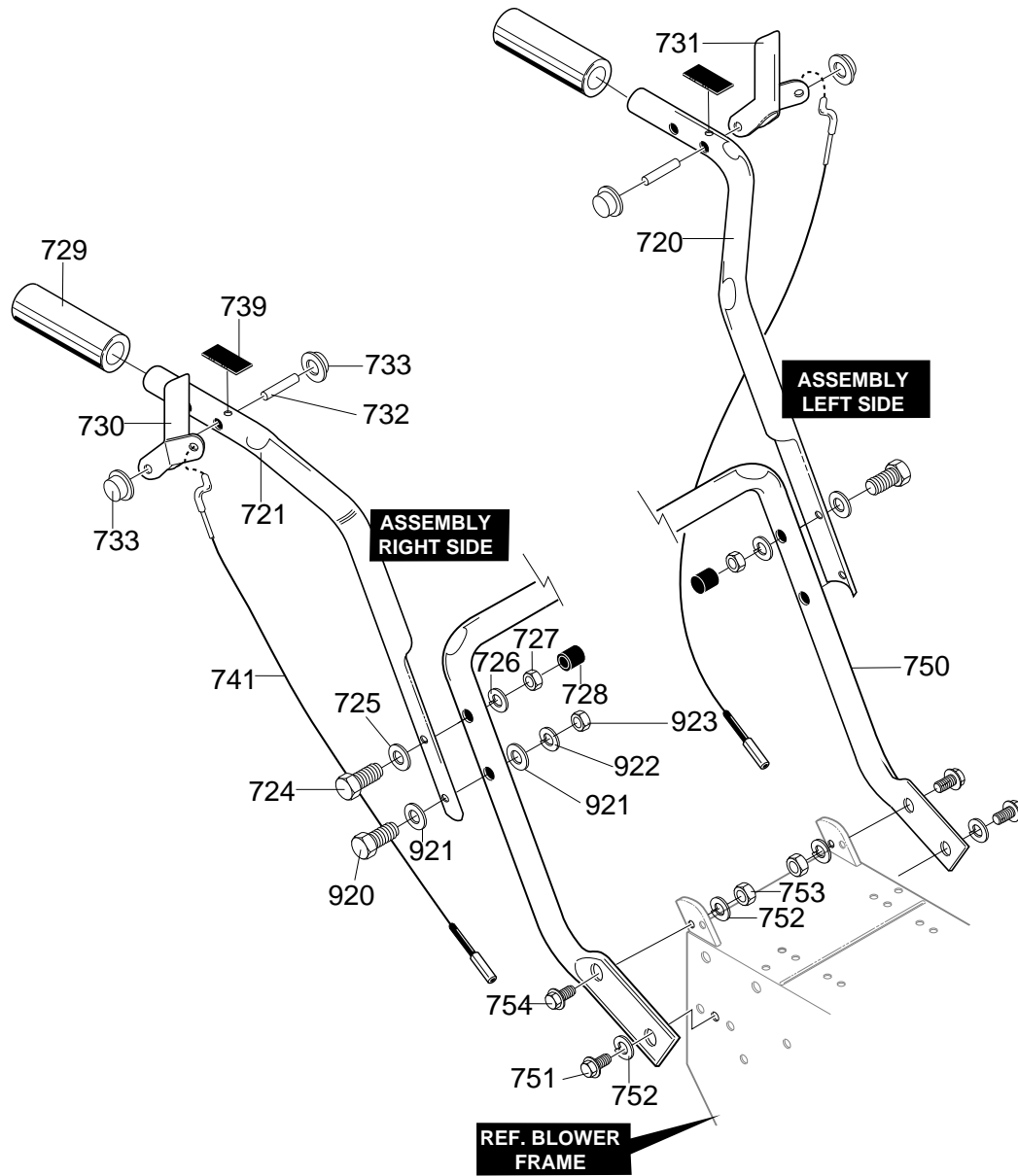


REF. NO	PART NO.	PART NAME
650	601 00 16-53	SHAFT, AXLE
652	601 00 16-54	SPROCKET, HUB
653	601 00 15-35	SCREW 1/4-20X2.25
654	601 00 00-62	NUT, 1/4-20 REGHEXCTRLK
655	601 00 15-36	BEARING, FLANGE
656	601 00 16-55	CHAIN, ROLLER #42 X 41P
671	601 00 14-38	FLATWASHER .765X1.12X.06
673	601 00 17-46	BUSHING, WHEEL 4"LG
675	601 00 18-49	TIRE & RIM 16X4.8X4
676	601 00 15-39	SCREW, SHR 1/4-20X1.75
677	601 00 00-62	NUT 1/4-20 REGHEXCTRLK
678	601 00 15-40	RING, RETAINING
679	601 00 15-41	PIN, KLIK

318542E

27" SNOW THROWER MODEL ST 927E

HANDLES REPAIR PARTS



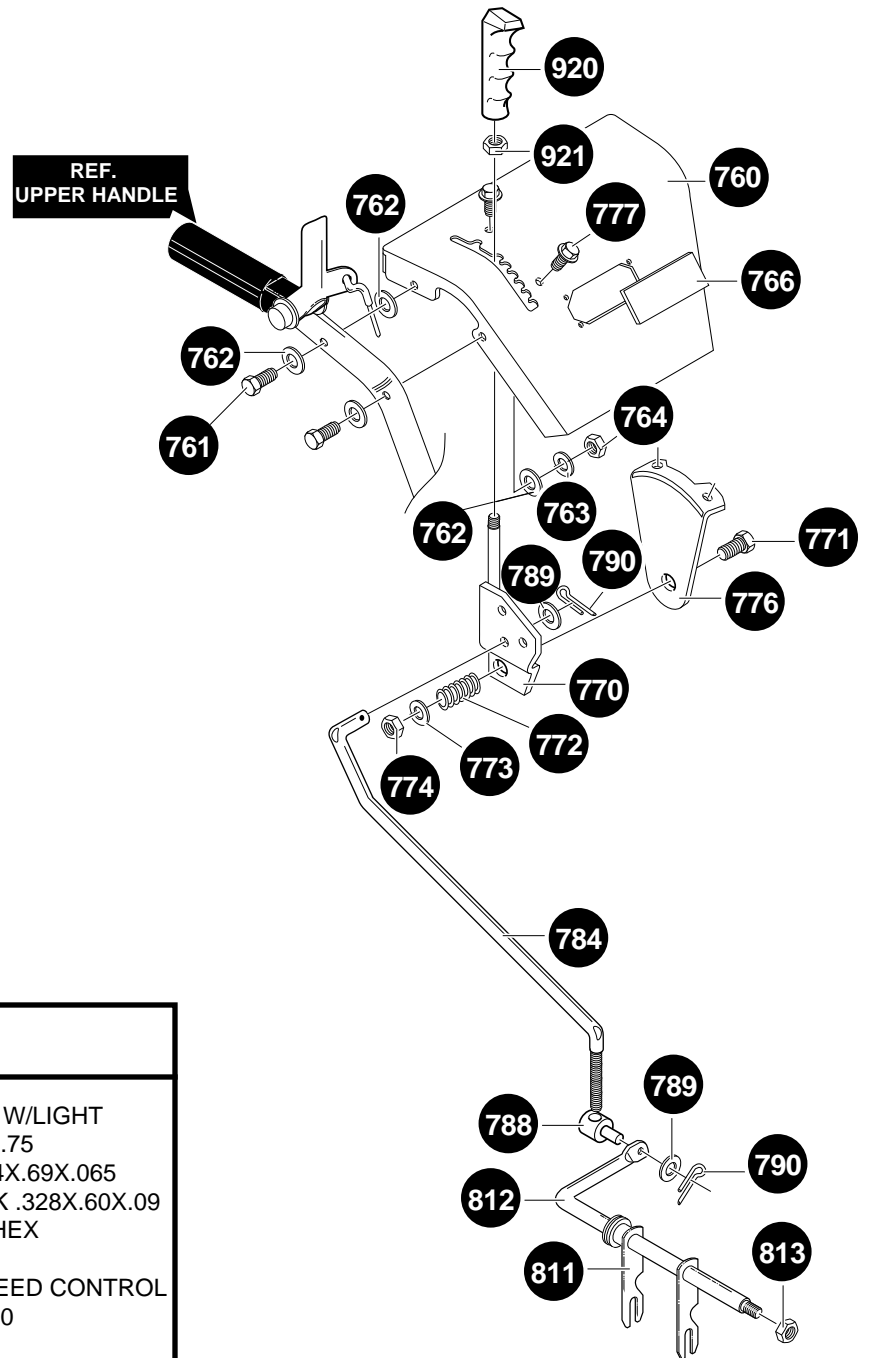
REF. NO	PART NO.	PART NAME
720	601 00 15-42	UPPER HANDLE LH
721	601 00 15-43	UPPER HANDLE RH
724	601 00 15-44	SCREW, 3/8-16X3.00
725	601 00 00-20	FLATWASHER .406X.81X.065
726	601 00 00-15	WASHER, RGSPTLK .393X.68X.10
727	601 00 00-60	NUT, 3/8-16 REGHEXTRLK
728	601 00 15-45	STOP, PLASTIC .375
729	601 00 15-46	GRIP, HANDLE
730	601 00 15-47	HANDLE, CLUTCH RH
731	601 00 15-48	HANDLE, CLUTCH LH
732	601 00 15-49	PIN, PIVOT
733	601 00 05-16	PUSH ON CAP
739	601 00 16-57	BUMPER, RECT

REF. NO	PART NO.	PART NAME
741	601 00 16-58	CABLE, CLUTCH
750	601 00 15-54	HANDLE, LOWER
751	601 00 05-20	SCREW, 5/16-18X.75 WAHHTAP
752	601 00 00-23	WASHER, HVSPTLK .328X.60X.09
753	601 00 00-12	NUT 5/16-18 REGHEX
754	601 00 00-73	SCREW, 5/16-18X.75
920	601 00 15-55	SCREW, 3/8-16X2.00
921	601 00 00-20	FLATWASHER .406X.81X.065
922	601 00 00-15	WASHER RGSPTLK .393X.60X.10
923	601 00 00-60	NUT, 3/8-16 REGHEXCTRLK

334394B

27" SNOW THROWER MODEL ST 927E

CONTROL PANEL REPAIR PARTS

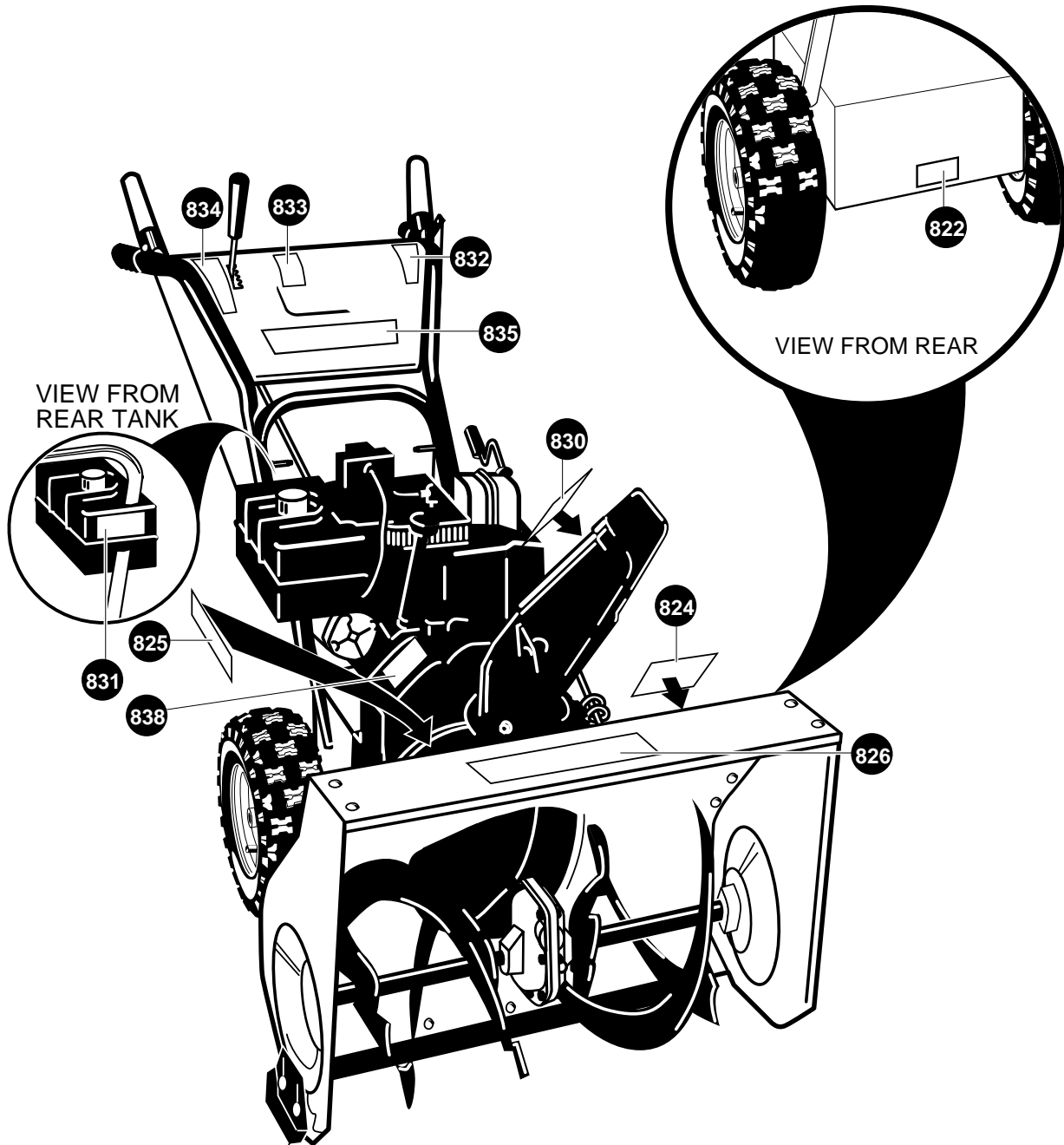


REF. NO	PART NO.	PART NAME
760	601 00 18-91	PANEL, CONTROL W/LIGHT
761	601 00 15-57	SCREW, 5/16-18X1.75
762	601 00 00-19	FLATWASHER .344X.69X.065
763	601 00 00-23	WASHER HVSP TLK .328X.60X.09
764	601 00 00-12	NUT, 5/16-18 REGHEX
766	601 00 15-58	PLATE, PANEL
770	601 00 15-59	HANDLE ASSY SPEED CONTROL
771	601 00 15-55	SCREW 3/8-16X2.00
772	601 00 15-60	SPRING
773	601 00 00-20	FLATWASHER .406X.81X.065
774	601 00 06-53	NUT, 3/8-16 HEXNYL
776	601 00 17-48	BRACKET, SPEED CONTROL
777	601 00 05-20	SCREW, 5/16-18X.75 WAHHTAP
780	601 00 00-25	PIN, COTTER .090DIAX.75LG
781	601 00 00-19	FLATWASHER, .344X.69X.065
784	601 00 15-62	ROD, SPEED CONTROL
788	601 00 15-63	NUT, TRUNNION 5/16-24
789	601 00 00-19	FLATWASHER .344X.69X.065
790	601 00 00-25	COTTER PIN .090DIAX.73LG
811	601 00 15-64	BEARING, FLANGED
812	601 00 15-65	ROD, ASSY YOKE "PANEL"
813	601 00 00-60	NUT 3/8-16 REGHEX CTRLK
920	601 00 02-36	HANDLE, 3/8-16 MOLDED
921	601 00 00-60	NUT, 3/8-16 REGHEX CTRLK

319052F

27" SNOW THROWER MODEL ST 927E

DECALS

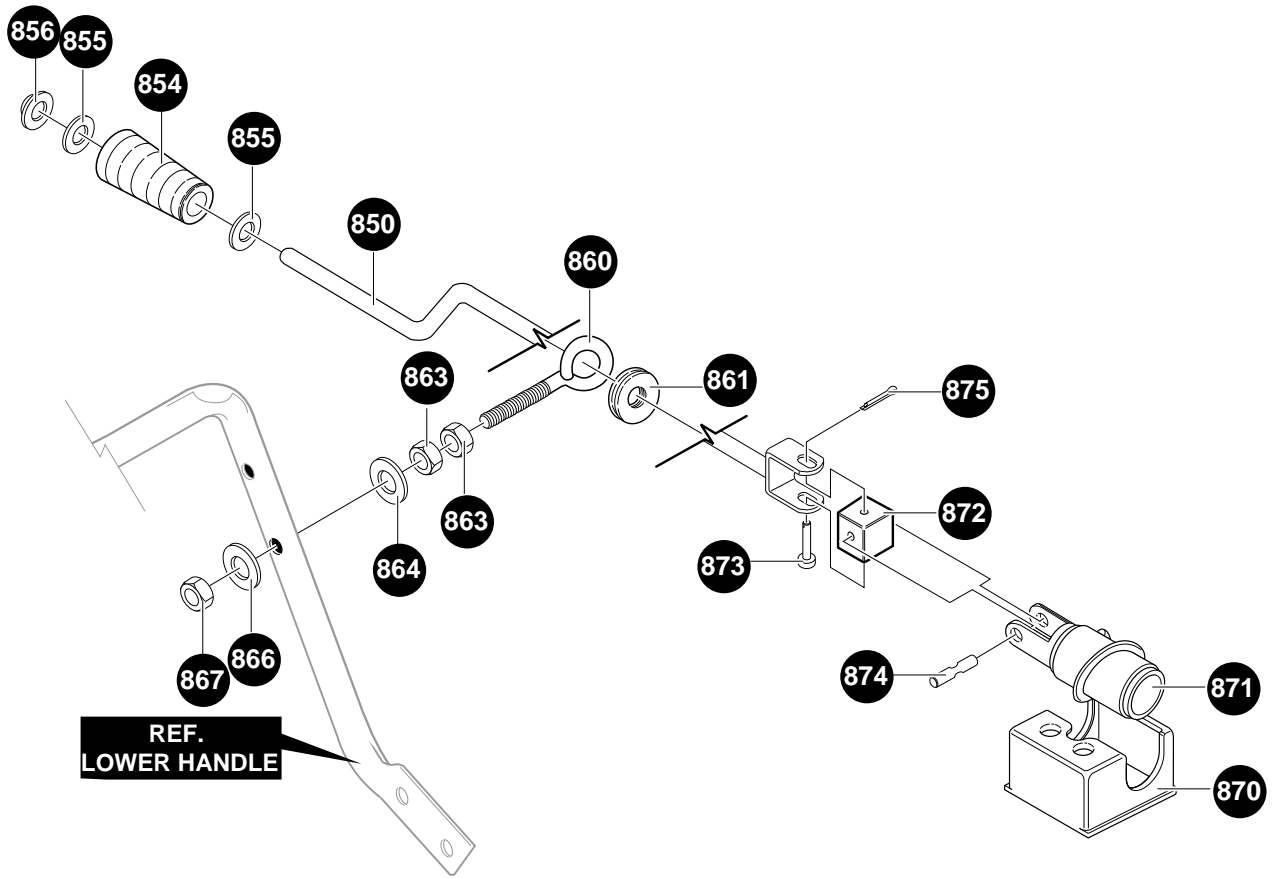


REF. NO	PART NO.	PART NAME
822	601 00 15-75	DECAL, OVER ADJ OF DISC
824	601 00 15-76	DECAL, DANGER FOOT SYM
825	601 00 15-77	DECAL, DUAL STAGE
826	601 00 18-50	DECAL, AUGER HSING TOP
830	601 00 15-79	DECAL, DANGER FINGER
831	601 00 15-80	DECAL, FREE IMPELLER
832	601 00 15-81	DECAL, TRACT DR -CHUTE ROT
833	601 00 15-82	DECAL, SNOW CONDITIONS
834	601 00 15-83	DECAL, GEAR SELECT/AUGER
835	601 00 18-42	DECAL, HANDLE PANEL
838	601 00 15-85	DECAL, BELT ADJ.

334544A

27" SNOW THROWER MODEL ST 927E

CHUTE CONTROL ROD REPAIR PARTS



REF. NO	PART NO.	PART NAME
850	601 00 17-49	CRANK ASSY W/YOKE
854	601 00 15-69	KNOB, SLEEVE
855	601 00 00-20	FLATWASHER .406X.81X.065
856	601 00 12-91	NUT, PUSH ON 3/8"
860	601 00 17-50	EYE BOLT, 3/8-16X6.00
861	601 00 14-08	GROMMET, EYE BOLT
863	601 00 14-09	NUT, 3/8-16 HEXJAM
864	601 00 00-20	FLATWASHER .406X.81X.065
866	601 00 00-20	FLATWASHER, .406X.81X.065
867	601 00 06-53	NUT, 3/8-16 REGHEX
870	601 00 18-30	BRACKET, WORM MOUNTING
871	601 00 18-31	WORM GEAR CHUTE ROTATE
872	601 00 18-32	BLOCK, UNIV. PIVOT
873	601 00 18-33	PIN, CLEVIS
874	601 00 18-34	PIN, UNIV. JOINT
875	601 00 18-35	COTTER PIN .06X.50

336677A