

# Husky Jet



**1.1997**

**Spare parts**

**Ersatzteile**

**Pièces détachées**

**Reserve onderdelen**

**Repuestos**

**Reservdelar**

Replaces

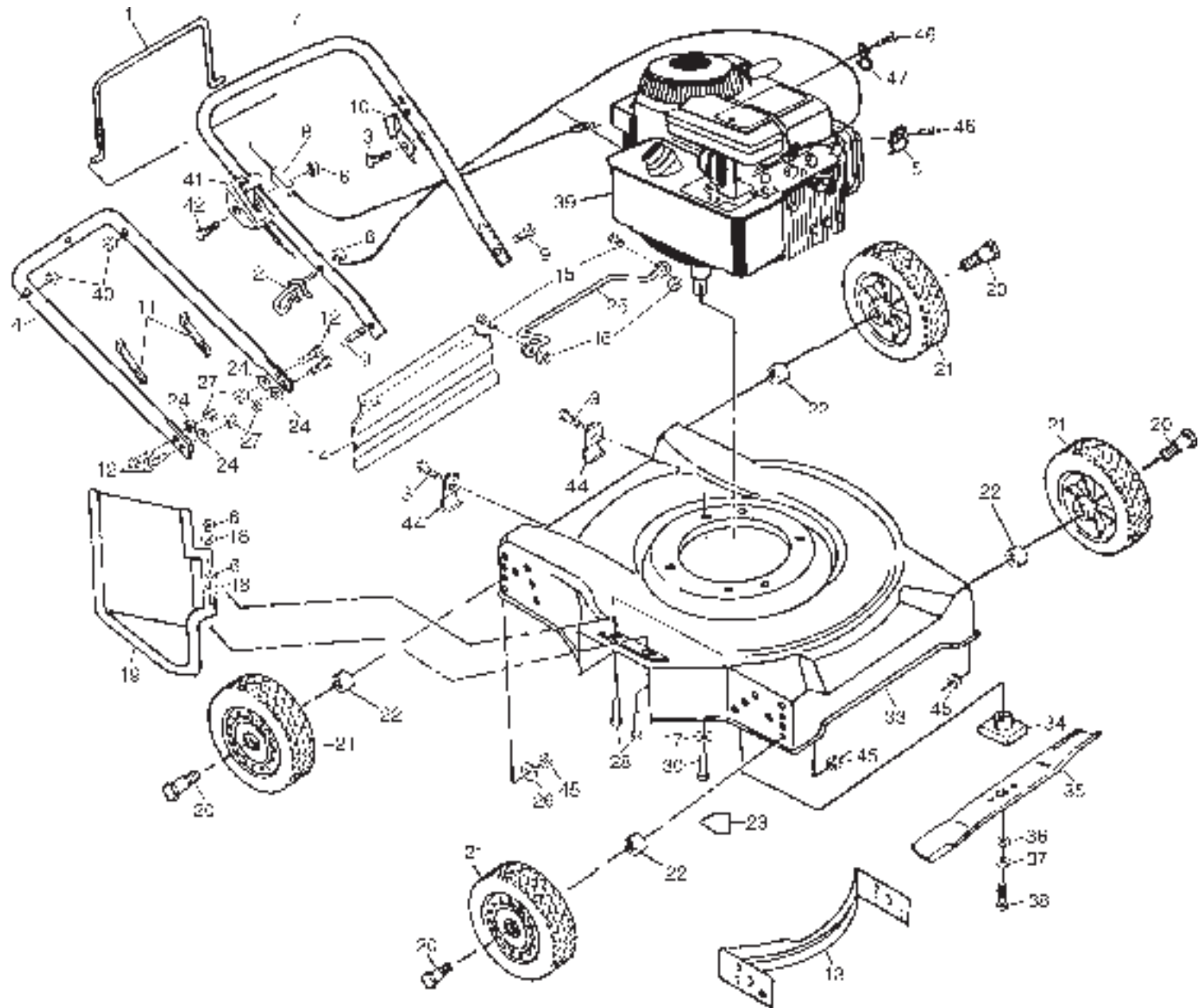
Ersetzt

Remplace

Vervangt

Reemplaza

Ersätter



KEY NO.	PART NO.	DESCRIPTION	KEY NO.	PART NO.	DESCRIPTION
1	532086902	Control Bar	25	532801542	Foot Guard
2	532132001	Rope Guide	26	532061537	Washer
3	532750097	Hex Washer Head Self-tapping Screw #10-24 x 1/2	27	532132010	Flange Locknut 3/8-16
4	532125463	Lower Handle	28	874760412	Hex Head Bolt 1/4-20 x 3/4
5	532213146	*Cable Clamp (Engine)	30	532150406	Hex Head Thread Rolling Screw 3/8-16 x 1
6	532063601	Locknut 1/4-20	33	532146863	Housing Kit
7	532125464	Upper Handle	34	532850977	Blade Adapter
8	532851809	Engine Zone Control Cable	35	531006063	Blade 20"
9	874350424	Hex Head Bolt 1/4-20 x 1-1/2	36	532851074	Washer (Hardened)
10	532125162	Up-Stop Bracket	37	532850263	Helical Lock Washer
11	532066426	Wire Tie	38	532851084	Hex Head Machine Screw 3/8-24 x 1-3/8 Gr. 8
12	532137009	Hex Head Bolt 3/8-16 x 1	39	-----	*Engine, Briggs & Stratton Model No. 95902
13	532141519	Front Baffle	40	532132004	Hex Nut 1/4-20
14	532140541	Rear Skirt	41	532131922	Throttle Cable STD
15	532085825	Screw	42	532144929	Hex Washer Hd Screw 1/4-20 x 2.12
16	532069180	Nut	44	532125207	Skirt Bracket
17	532125078	Engine Washer	45	532751592	Locknut 5/8- 16
18	532053847	Flat Washer	46	532083816	Screw, #10 x 5/8
19	532752052	Discharge Guard	47	532087930	Cable Clip, Throttle
20	532067609	Shoulder Bolt			
21	532130491	Wheel Assembly 7.00 x 1.50			
22	532136624	Spacer Washer			
23	532145494	Danger Decal			
24	532055611	Washer			

\* These parts must be purchased through an authorized Briggs & Stratton dealer.