

YT 150



1.1997

Spare parts

Ersatzteile

Pièces détachées

Reserve onderdelen

Repuestos

Reservdelar

Replaces

Ersetzt

Remplace

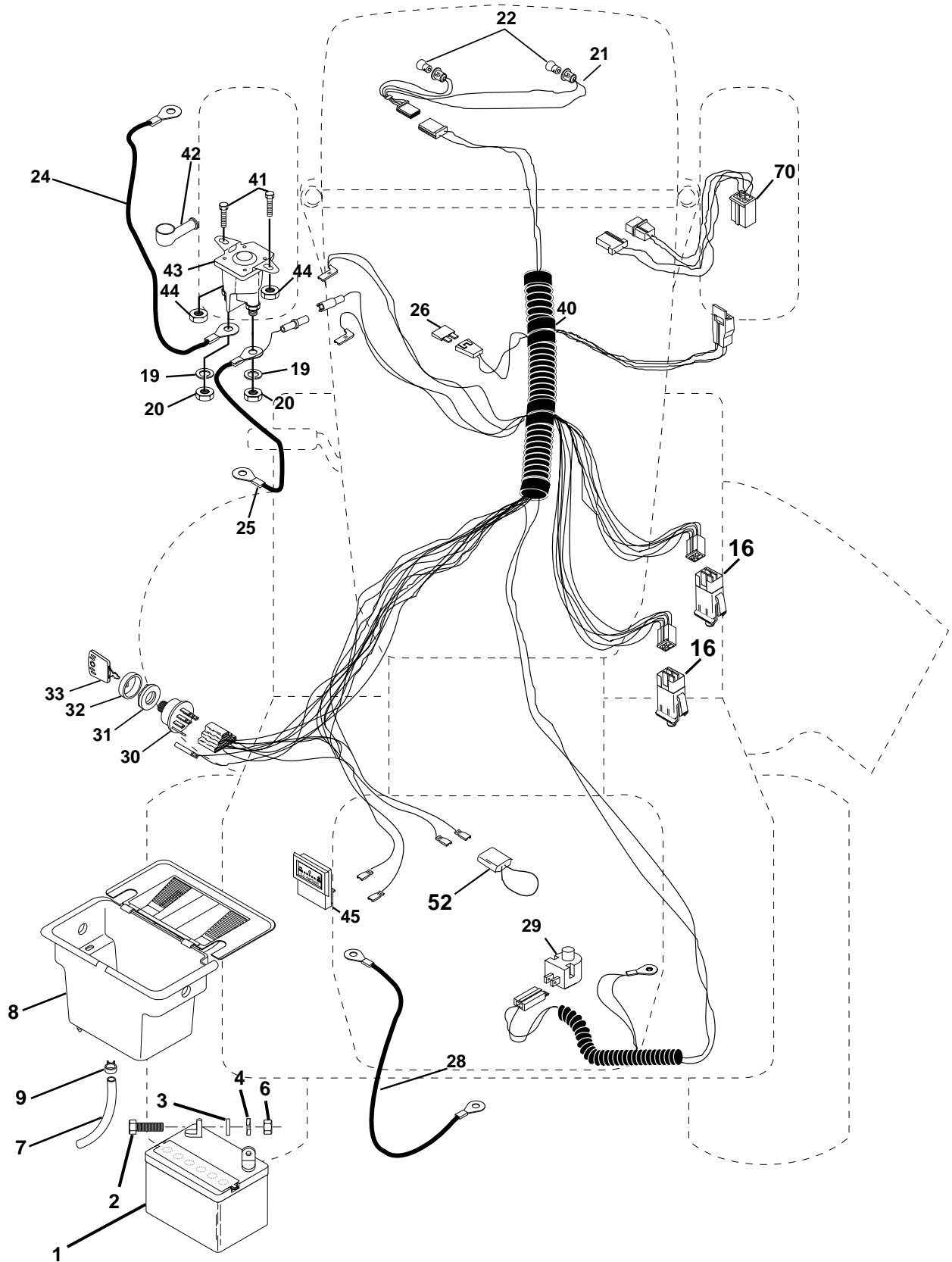
Vervangt

Reemplaza

Ersätter

P

ELECTRICAL



P

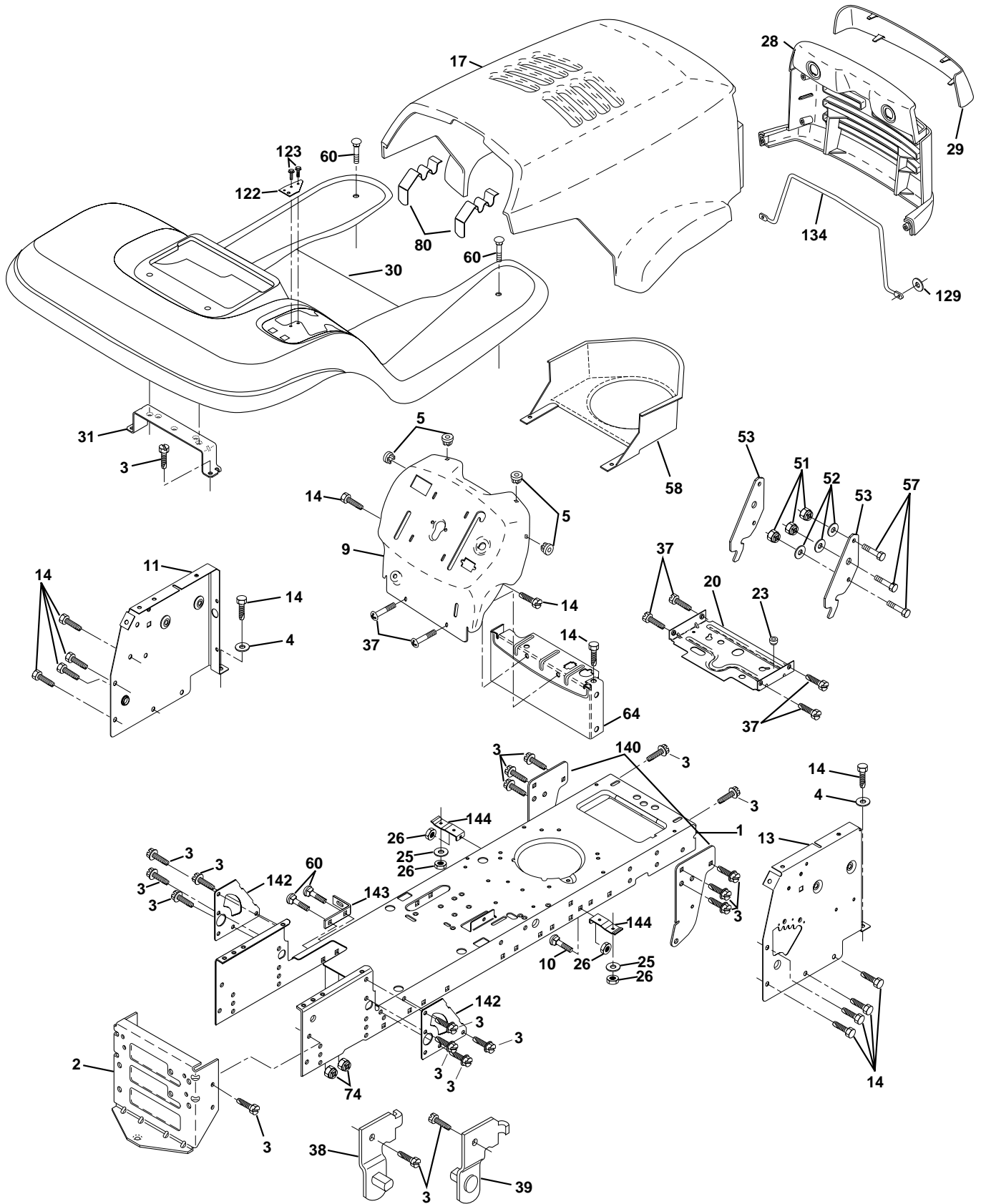
ELECTRICAL

KEY NO.	PART NO.	DESCRIPTION
1	532123899	Battery 12 Volt 25 AMP
2	874760412	Bolt Hex Hd 1/4-20unc X 3/4
3	819091016	Washer 9/32 X 5/8 X 16 Ga.
4	810040400	Washer Lock Hvy Helical 1/4
6	873220400	Nut Fin Hex 1/4-20 Unc
7	532109238	Tube Plastic 12"
8	532156417	Case Battery w/2 Holes
9	532109596	Clamp Hose Olive
16	532153664	Switch Interlock Push-In
19	810090400	Washer Lock 1/4
20	873350400	Nut Jam Hex 1/4-20 Unc
21	532136850	Harness Asm Light W/4152j
22	532004152	Bulb Light #1156
24	532124780	Cable Battery 6 Ga 11" red
25	532146147	Cable Battery 6 Ga 44" red w/16 wire
26	532108824	Fuse 30 AMP Auto Green
28	532124773	Cable Ground 6 Ga 12" black
29	532121305	Switch Plunger Nc Gray
30	532140301	Switch Ign 4 pos w/lights
31	532124211	Nut Ignition
32	532141226	Cover Sw Ignition
33	532122147	Key Ign Modleded Generic
40	532156442	Harness ign LT P/L Mech Hm
41	871110408	Bolt Blk Fin Hex 1/4 - 20 x 1/2
42	532131563	Cover Terminal Red
43	532145673	Solenoid
44	873640400	Nut Keps Blk Hex 1/4-20 Unc
45	532121433	Ammeter Rectangular 6 Amp
52	532141940	Protection Wire Loop
70	532140422	Harness, Engine

NOTE: All component dimensions given in U.S. inches.
1 inch = 25.4 mm.

A

CHASSIS AND ENCLOSURES



A

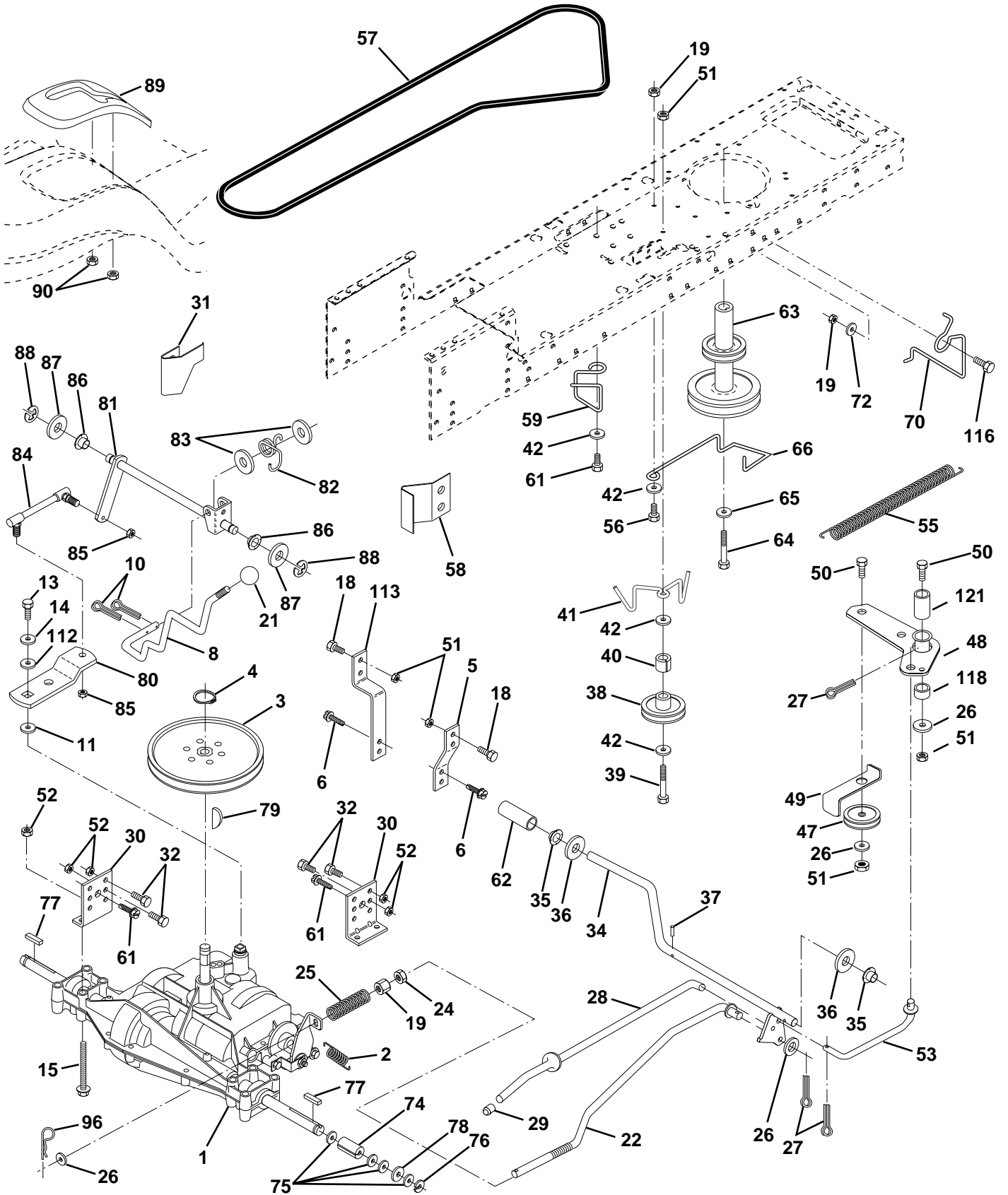
CHASSIS AND ENCLOSURES

KEY NO.	PART NO.	DESCRIPTION
1	532153871	Chassis Weldment
2	532140356	Drawbar, Stretch
3	817490612	Screw Thdrol 3/8-16x3/4 Ty-tt
4	819131216	Washer 13/32 x 3/4 x 16 Ga.
5	532155272	Bumper Hood/Dash
9	532157663	Dash P/L
10	872140608	Bolt Carriage 3/8-16 x 1
11	532155927	Panel Dash Lh
13	532155936	Panel Dash Rh
14	817490608	Screw Thdrol 3/8-16x1/2 Ty-tt
17	532156051	Hood LT/PL Husqvarna
20	532156437	Plate Mtg Battery Fuel Tank Fr
23	532124028	Bushing
25	819131312	Washer 13/32 X 13/16 X 12 Ga
26	873800600	Nut Lock Hex W/Ins 3/8-16 Unc
28	532149776	Grille LT/PL Husqvarna
29	532149777	Lens LT/PL Husqvarna
30	532156489	Fender Footrest STLT Pnt
31	532139976	Bracket Support Fender
37	817490508	Screw Thdrol 6/16-18 x 1/2 TYT
38	532139886	Bracket, Asm. Pivot, L.H., Mower Rear
39	532139887	Bracket, Asm. Pivot, R.H., Mower Rear
51	873800400	Nut Lock Hex W/Ins 1/4-20
52	819091416	Washer 9/32 x 7/8 x 16 Ga.
53	532150067	Bracket Pnt. Pick off LT/PL Husqvarna
57	874780412	Bolt Hex 1/4-20 x 3/4
58	532150127	Air Duct Engine P/L
60	872140606	Bolt Rdhd Sqnk 3/8-16unc x 3/4
64	532154798	Dash Lower STLT
74	873680600	Nut Crownlock 3/8-16 UNC
80	532155854	Latch Hood Plm Husqvarna
122	532157301	Bracket Shift STLT
123	532152927	Screw
129	819091016	Washer 9/32 x 5/8 x 16 Ga.
134	532150132	Rod Support Hood LT/PL Husq.
140	532150556	Bracket Chassis Front 7 Ga.
142	532156095	Plate Reinforcement STLT
143	532154966	Bracket Swaybar Chassis
144	532154207	Bracket Pnt Footrest STLT
--	532005479	Plug Button

NOTE: All component dimensions given in U.S. inches.
1 inch = 25.4 mm

L

DRIVE



L

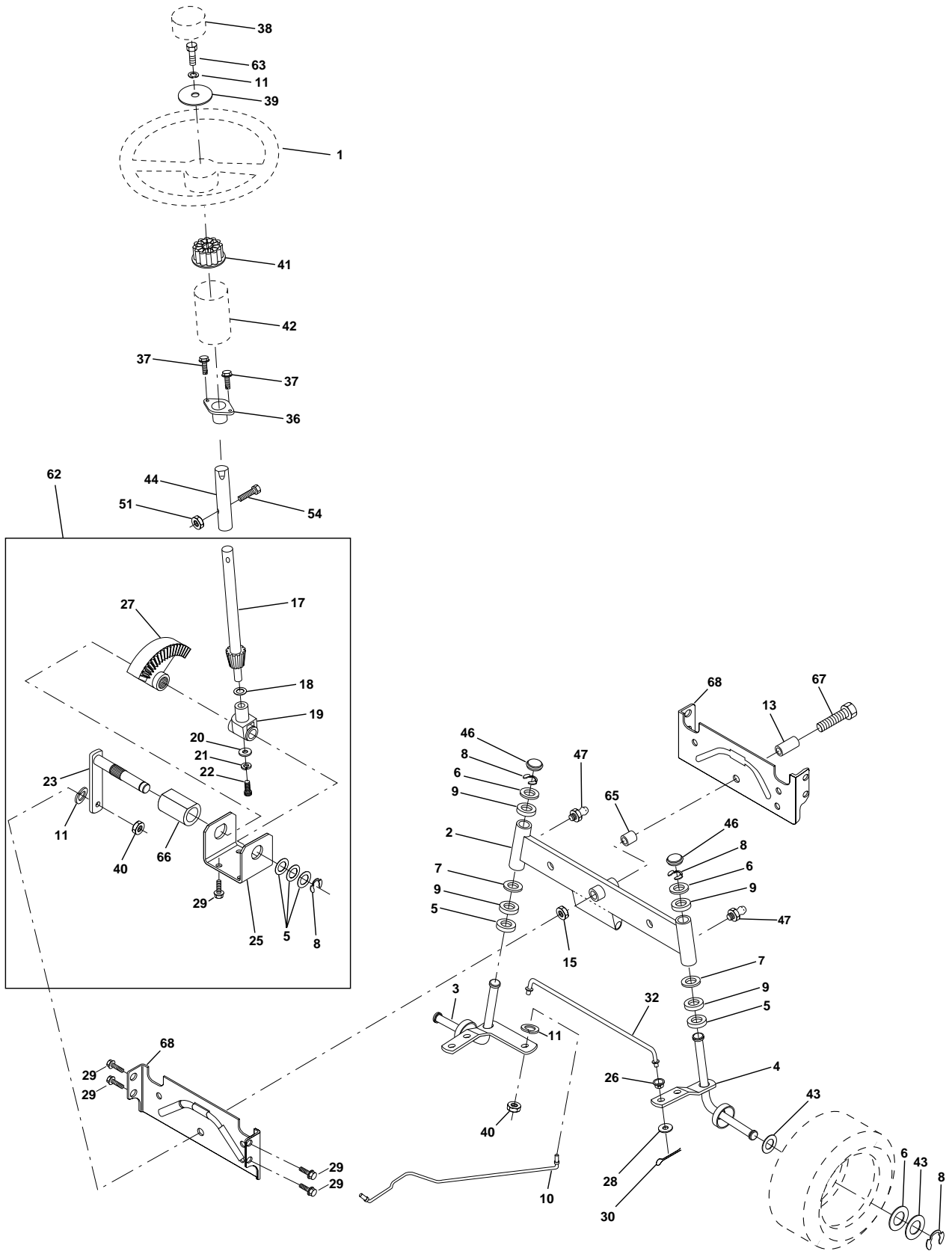
DRIVE

KEY NO.	PART NO.	DESCRIPTION	KEY NO.	PART NO.	DESCRIPTION
1	532145600	Transaxle 6sp Peerless 930-055	53	532105710	Link Clutch 7 66
2	532146682	Spring Return Brake T/a Zinc	55	532105709	Spring Return Clutch 6 75
3	532123666	Pulley Transaxle 18"tires	56	874760620	Bolt Fin Hx 3/8-16 X 1/4
4	812000028	Ring Retainer # 5100-62	57	531006043	V-Belt Ground Drive 95 25 42"
5	532121520	Strap Torque 30 Degrees	58	532127274	Keeper Belt RH LT Pnt/zinc 16g
6	817490512	Screw Thdrol 5/16-18 X 3/4 TYT	59	532140312	Keeper Belt Span Ctr
8	532154792	Rod Shifter	61	817490612	Screw Thdrol 3/8-16x3/4 Ty-tt
10	876020416	Pin Cotter 1/8 X 1 Cad	62	532123533	Cover Pedal
11	532105701	Washer Plate Shf 388 Sq Hole	63	532140186	Engine Pulley LT/YT
13	874550412	Bolt 1/4-28 Unf Gr 8 W/Patch	64	871170764	Bolt Hex 7/16-20 x 4
14	810040400	Washer Lock Hvy Helical 1/4	65	810040700	Washer Lock Hvy Hlcl Spr 7/16
15	874490544	Bolt Fin Hex 5/16-18uncx 2 3/4	66	532154778	Keeper Belt Engine F-Proof
18	874780616	Bolt Fin Hex 3/8-16 UNC x `1 Gr. 5	70	532134683	Guide Belt Mower Drive RH
19	873800600	Nut Lock 3/8-16 Unc	72	819132012	Washer 13/32 X 1-1/4 X 12 Ga
21	532121274	Knob Duckhead1/2-13 Plstc Thd. Blk	74	532137057	Spacer Axle
22	532130804	Rod Brake Blk Zinc 26 840	75	532121749	Washer 25/32 X 1 1/4 X 16 Ga
24	873350600	Nut Hex Jam 3/8-16 Unc	76	812000001	E-ring #5133-75
25	532106888	Spring Rod Brake 2 00 Zinc	77	532123583	Key Square 2 0 X 1845/ 1865
26	819131316	Washer 13/32 X 13/16 X 16 Ga	78	532121748	Washer 25/32 X 1-5/8 X 16 Ga
27	876020412	Pin Cotter 1/8 X 3/4 Cad	79	532125096	Key Woodruff
28	532145204	Rod Brake Parking LT/YT	80	532145090	Arm Shift Transaxle
29	532071673	Cap Brake Parking Black	81	532156049	Shaft Asm Cross
30	532130807	Bracket Mtg Transaxle	82	532123782	Spring Torsion T/a
31	532127275	Keeper Belt LH LT 14 Ga	83	819171216	Washer 17/32 X 3/4 X 16 Ga
32	874760512	Bolt Hex Hd 5/16-18unc X 3/4	84	532145643	Rod Shift Adj Tie
34	532155071	Shaft Asm Pedal Foot	85	532150360	Nut Nylock 1/4 - 28
35	532120183	Bearing Nylon Blk 629 Id	86	532071208	Bushing Rod Strg 629/632 Id
36	819211616	Washer 21/32 X 1 X 16 Ga	87	819212016	Washer 21/32 X 1-1/4 X 16 Ga
37	532124963	Pin Roll 3/16 X 1"	88	812000008	Ring Klip #5304-62
38	532123674	Pulley Idler Flat	89	532154886	Console Shift 6sp
39	874760644	Bolt Fin Hex 3/8-16unc X 2-3/4	90	532124346	Nut Self-thd Wsh-hd 1/4 Zinc
40	532124965	Spacer Split 395 X 59 Bzp	96	532124788	Retainer Spring 1" Zinc/Cad
41	532154777	Keeper Belt Idler	112	819091210	Washer 9/32 x 3/4 x 10 Ga.
42	819131312	Washer 13/32 X 13/16 X 12 Ga	113	532127285	Strap Torque Lt
47	532127783	Pulley Idler V Groove Plastic	116	872110610	Bolt Rd Sq Neck 3/8-16 x 1-1/4
48	532154604	Bellcrank Asm Clutch	118	532154774	Spacer Bellcrank
49	532123205	Retainer Belt Style Spring	121	532154419	Nyliner Clutching STL
50	874760624	Bolt Hex Hd 3/8-16unc X 1-1/2			
51	873680600	Nut Crownlock 3/8-16 Unc			
52	873680500	Nut Crownlock 5/16-18 Unc			

NOTE: All component dimensions given in U.S. inches
1 inch = 25.4 mm

H

STEERING ASSEMBLY



H

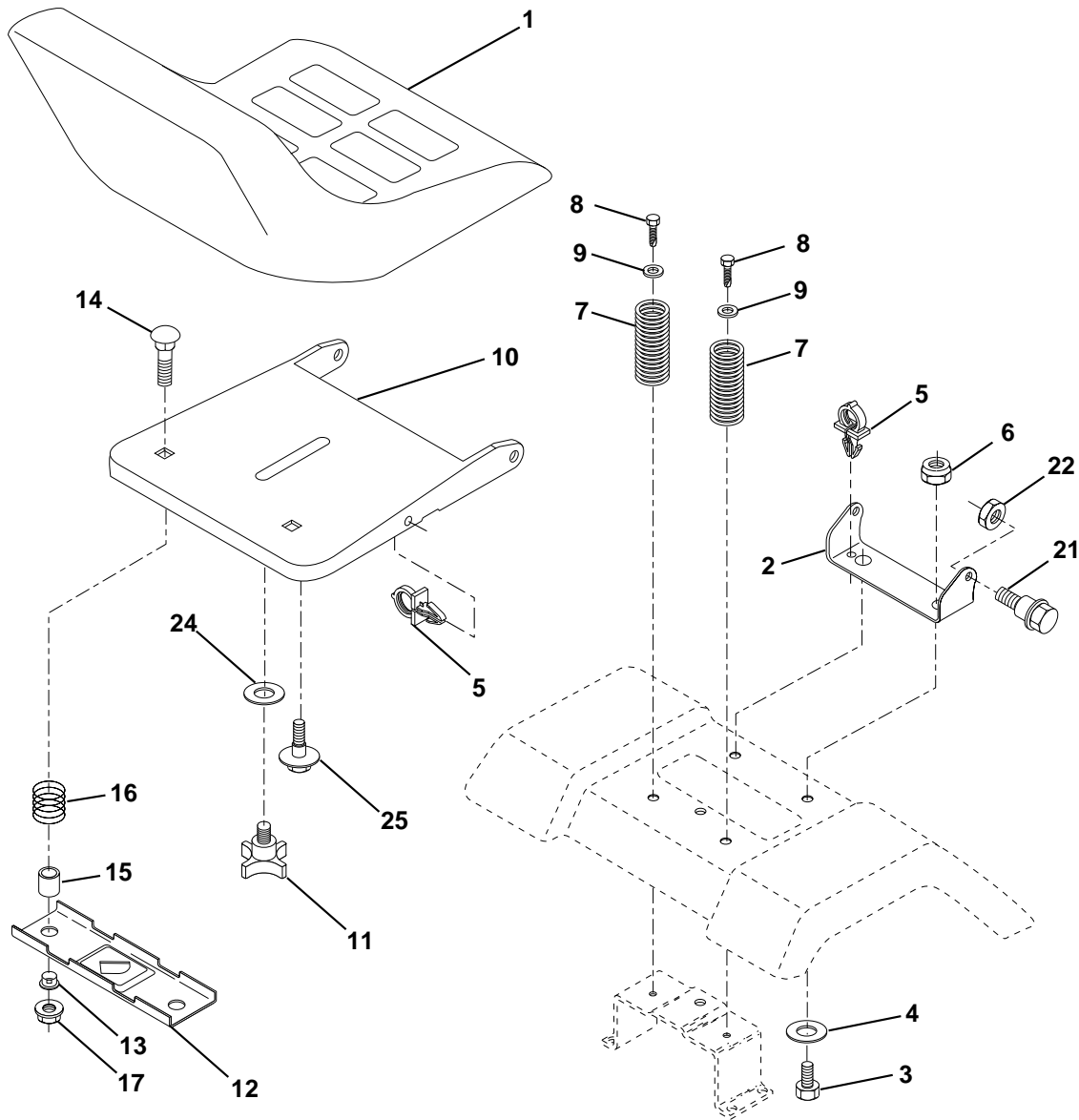
STEERING ASSEMBLY

KEY NO.	PART NO.	DESCRIPTION
1	532124415	Wheel Steering
2	532154427	Axle Asm STMP Dropped STL
3	532154422	Spindle Asm LH
4	532154423	Spindle Asm RH
5	532124931	Bearing Race Thrust Harden
6	532121748	Washer 25/32 X 1-5/8 X 16 Ga
7	819272016	Washer 27/32 X 1-1/4 X 16 Ga
8	812000029	Ring Klip #t5304-75
9	532124937	Bearing Col Strg Blk
10	532156438	Link Drag Extended Stamp
11	810040600	Washer Lock Hvy Hlcl Spr 3/8
13	532154779	Bearing Axle STL/GT
15	873901000	Nut Lock Flange 5/8-11 Unc
17	532156546	Shaft Asm Strg
18	532057079	Washer Thrust 515x 750x 033
19	532124035	Support Shaft
20	532126684	Washer Shim 1/4 X 5/8 X 062
21	810040400	Washer Lock Hvy Helical 1/4
22	871100410	Screw Cap Sckt Hd Phos & Oil
23	532127501	Shaft Asm Pittman
25	532154406	Bracket Steering
26	543126847	Bushing Link Drag Blk LR
27	532136874	Gear Sector
28	819131416	Washer 13/32 X 7/8 X 16 Ga
29	817490612	Screw Thdrol 3/8-16x3/4 Ty-tt
30	876020412	Pin Cotter 1/8 X 3/4 Cad
32	532130465	Rod Tie Wire Form 19 75 Mech
36	532155099	Bushing Strg
37	532152927	Screw
38	532124416	Insert Cap Strg Wh Au
39	819133808	Washer 13/32 X 2-3/8 X 8 Ga
40	532124701	Lock nut
41	532100711	Adaptor Wheel Strg
42	532155092	Boot Steering Shaft
43	532121749	Washer 25/32 X 1 1/4 X 16 Ga
44	532153720	Extension Steering Shaft LR/LT
46	532121232	Cap Spindle Fr Top Blk
47	532124836	Fitting Grease
51	873800500	Nut Lock Hex w/Ins 5/16-18
54	874780520	Bolt Fin Hex 5/16-18 Unc x 1-1/4
62	532156594	Kit, Steering Assembly Svc
63	874780616	Bolt Fin Hex 3/8-16unc x 1 Gr. 5
65	532154780	Spacer Axle
66	532154404	Bearing Arm Pittman
67	874781044	Bolt, Fin Hex 5/8-11 UNC x 2-3/4
68	532154429	Axle, Brace

NOTE: All component dimensions given in U.S. inches.
1 inch = 25.4 mm.

C

SEAT ASSEMBLY



KEY PART NO. NO.

DESCRIPTION

1	532140839	Seat V450 Blk/blk Std
2	532140551	Bracket Pivot Seat 8 720
3	874760616	Bolt Fin Hex 3/8-16unc X 1
4	819131610	Washer 13/32 X 1 X 10 Ga
5	532145006	Clip Push-In
6	873800600	Nut Lock 3/8-16 Unc
7	532124181	Spring Seat Cprsn 2 250 Blk Zi
8	817490616	Screw Thdrol 3/8-16 X 1 Ty-tt
9	819131614	Washer 13/32 X 1 X 14 Ga.
10	532140552	Pan Seat
11	532120068	Knob Seat 1/2-13 UNC Blk
12	532121246	Bracket Mounting Switch

KEY PART NO. NO.

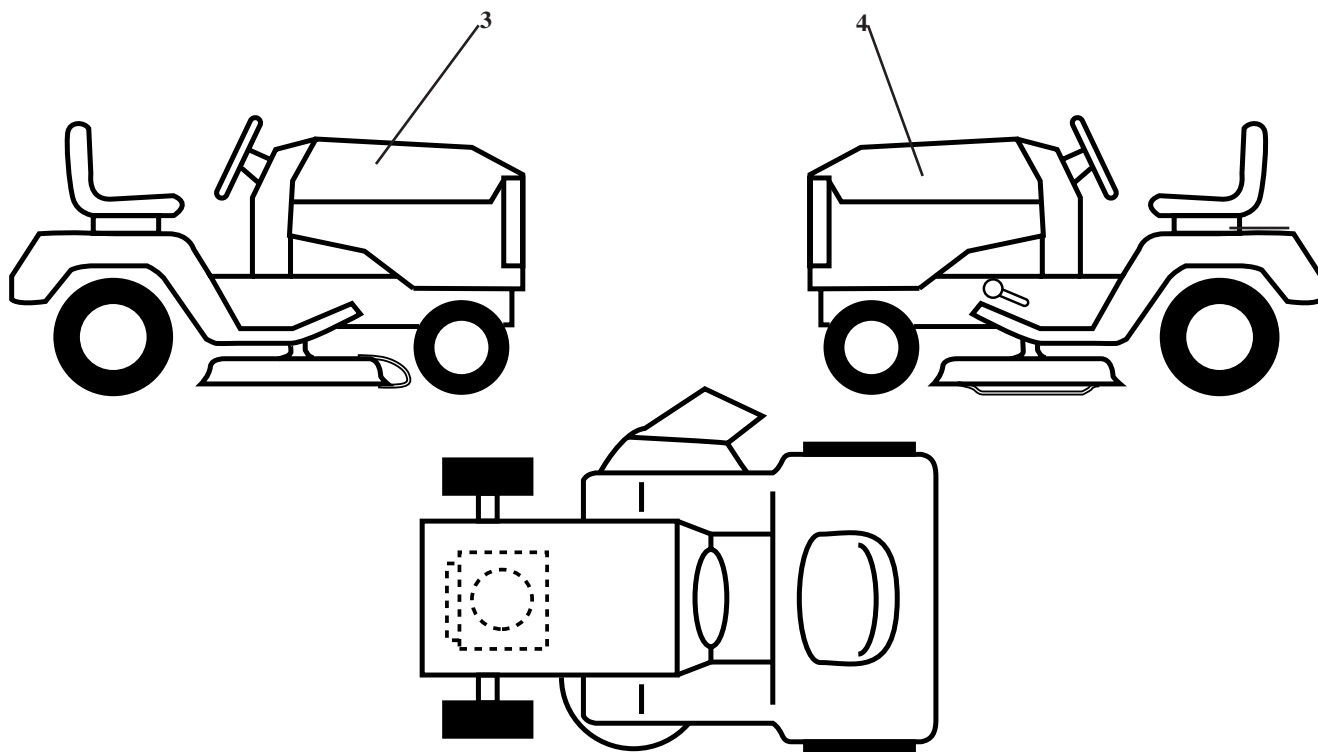
DESCRIPTION

13	532121248	Bushing Snap Blk Nyl 50 Id
14	872050411	Bolt Rdhd Sht Nk 1/4-20x1-3/8
15	532134300	Spacer Split 28x 96 Yel Zinc
16	532121250	Spring Cprsn 1 27 Blk Pnt
17	532123976	Nut Lock 1/4 Lge Flg Gr 5 Zinc
21	532153236	Bolt Shoulder 5/16-18 Unc-2A
22	873800500	Nut Hex Lock W/Ins 5/16-18
24	819171912	Washer 17/32 X 1-3/16 X 12 Ga.
25	532127018	Bolt Shoulder 5/16-18 X 62

NOTE: All component dimensions given in U.S. inches.
1 inch = 25.4 mm

R

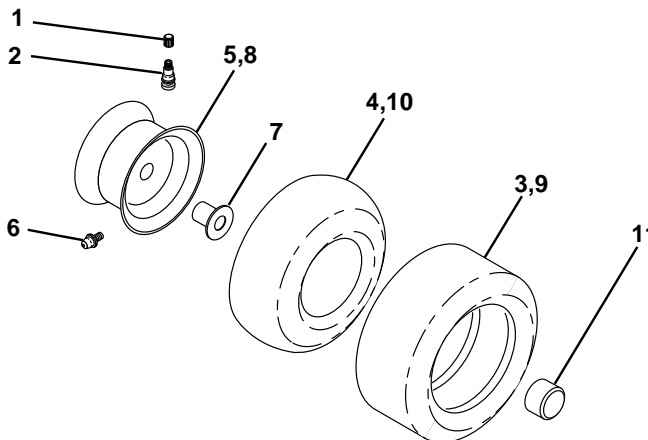
DECALS



KEY NO.	PART NO.	DESCRIPTION
3	532151320	Decal Hood RH
4	532151321	Decal Hood LH

R

WHEELS & TIRES

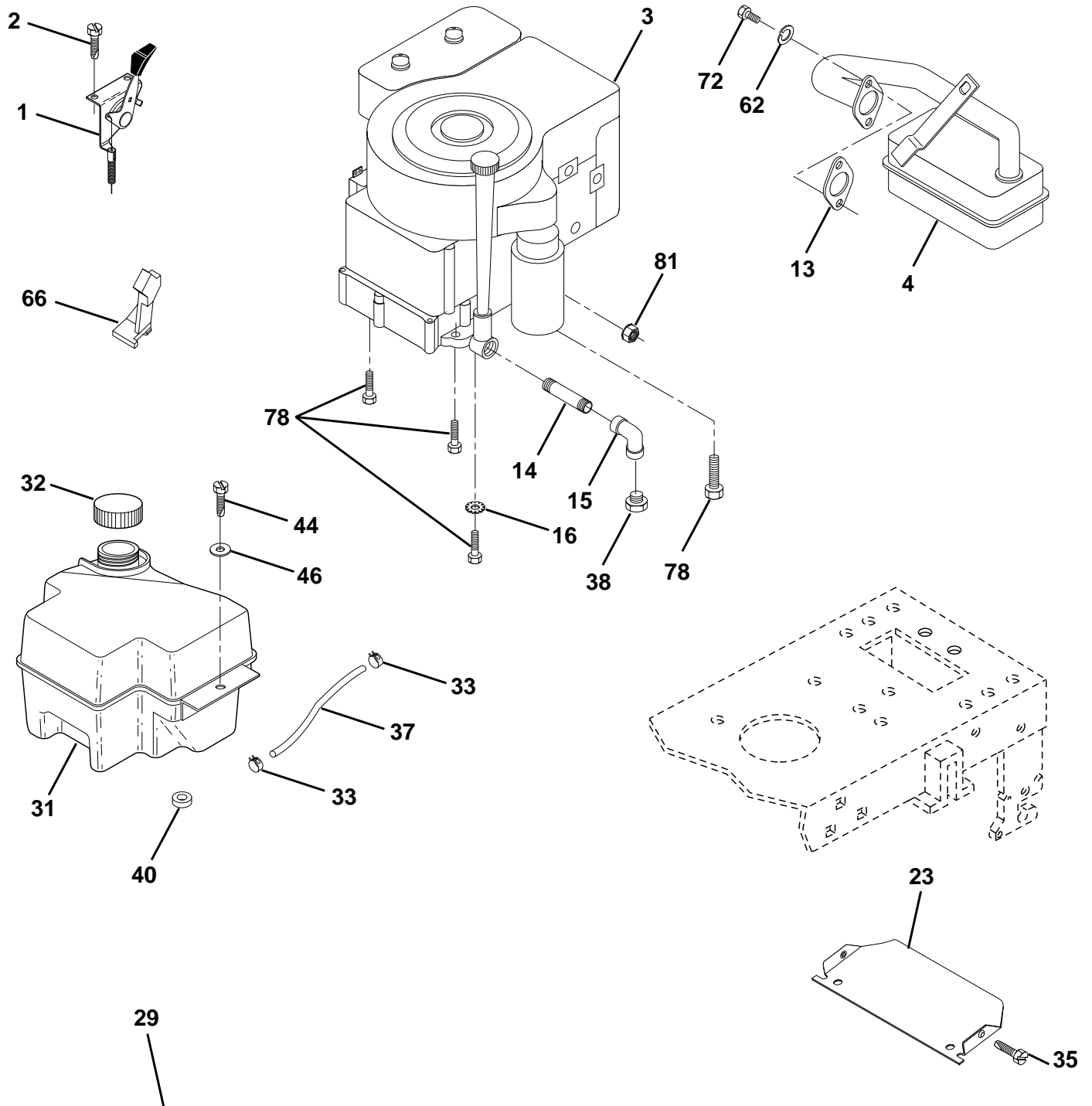


KEY NO.	PART NO.	DESCRIPTION
1	532059192	Cap Valve Tire
2	532065139	Stem Valve
3	532106222	Tire F Ts 15 X 60 - 6 Service
4	532059904	Tube Front (Service Item Only)
5	532138336	Rim Asm 6"front
6	532124957	Fitting Grease (Front Wheel Only)
7	532124959	Bearing Flange (Front Wheel Only)
8	532138337	Rim Asm 8"rear
9	532122082	Tire R Ts 20 x 10-8 C Service
10	532124926	Tube Rear (Service Item Only)
11	532104757	Cap Axle Blk 1 50 X 1 00

NOTE: All component dimensions given in U.S. inches
1 inch = 25.4 mm

F

ENGINE



OPTIONAL EQUIPMENT
Spark Arrester

F

ENGINE

KEY NO.	PART NO.	DESCRIPTION
1	532141359	Control Th/ch 20.22 LH Flag
2	817720410	Screw Hex Thd Cut 1/4-20x5/8 T
3	-----	Engine Briggs: Model No. 28N707 0171-01
4	532137352	Muffler LT B&S 15 HP IC OHV
13	532272293	Gasket Eng 1 313 Id Tin Plated
14	813280324	Nipple Pipe 3/8 Npt X 3"
15	813200300	Elbow Std 90 Degree 3/8-18 Npt
16	811050600	Washer Lock Ext Tooth 3/8
23	532156123	Shield Browning
29	532137180	Kit Spark Arrestor (Flat Scrn)
31	532140280	Tank Fuel Front 2 00
32	532140527	Cap Asm Fuel W/sym Vented
33	532123487	Clamp Hose Black
35	817490512	Screw Thdrol 5/16-18 x 3/4
37	532137040	Line Fuel 20"
38	-----	Plug Oil Drain (Order From Engine Manufacturer)
40	532124028	Bushing Snap Nyl Blk Fuel Line
44	817490412	Screw Hexwsh Thdrol 1/4-20x3/4
46	819091416	Washer 9/32 X 7/8 X 16 Ga
62	810040500	Washer Lock Hvy Hlcl Spr 5/16
66	532127951	Stop Throttle
72	871070512	Screw Hexhd Cap 5/16-18x 3/4
78	817490620	Screw Thdrol 3/8-16x1-1/4 TYTT
81	532128861	Nut Flange 1/4-20 Starter Nut

NOTE: All component dimensions given in U.S. inches
1 inch = 25.4 mm

M

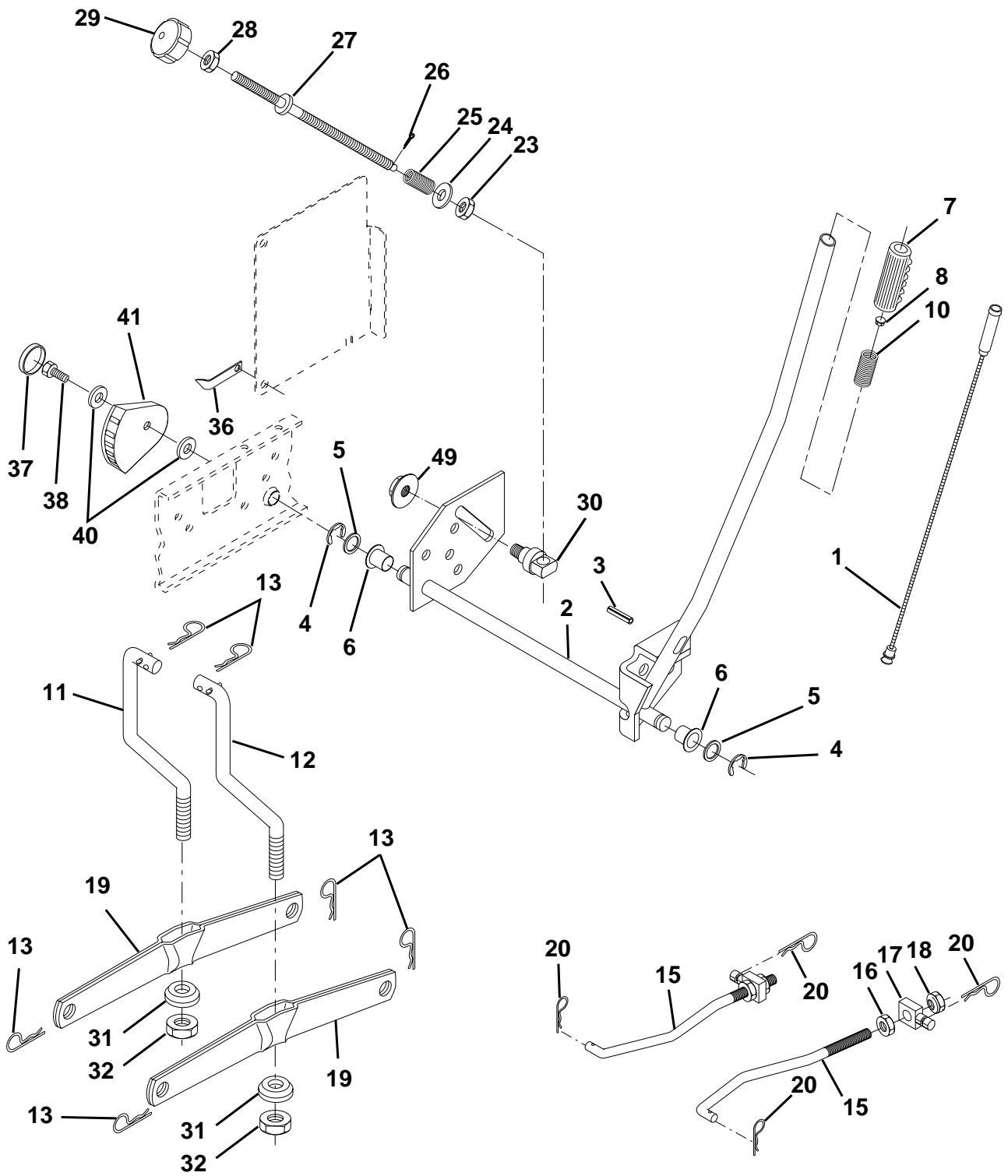
MOWERDECK

KEY NO.	PART NO.	DESCRIPTION	KEY NO.	PART NO.	DESCRIPTION
1	532144393	Deck Asm MWR 42"weldment	55	532155046	Arm Idler 42"mower LT/YT
2	872140506	Bolt Rdhd Sqnk 5/16-18unc X3/4	56	532122052	Spacer Retainer Pm Mower
3	532138017	Bracket Asm Fr Sway Bar 38/42	58	532140086	Spring Torsion Brakes
4	532138440	Bracket Asm Deck 42"sway Bar	59	532141043	Guard TUV Idler
5	532124670	Retainer Spring	67	532106932	Knob Rd 3/8-16 Plstc Thds Blk
6	532130832	Arm Suspension Rear	68	531005086	V-Belt Mower 42"
8	532850857	Bolt 3/8 - 24 X 1.25 Gr 8	71	532142427	Rod Clutch Primary 38/42
9	810030600	Washer Lock Hvy 3/8	72	532131870	Spring Return
10	532140296	Washer Hard Blade Mower Vented	73	532127847	Arm Clutch Secondary
11	531005085	Blade Mower	74	532121748	Washer 25/32 X 1-5/8 X 16 Ga
12	532129895	Bearing Ball #6024 (Mandrel)	75	812000029	Ring Klip #5304-75
13	532137645	Shaft Asm W/lower Bearing	76	532128903	Bolt Shoulder 3/8-16 Unc 1 44
14	532128774	Housing Mandrel Vented	77	532127845	Keeper Spring 4 000
15	532110485	Bearing Ball Mandrel	78	532154809	Arm Asm Clutch Primary
16	532140329	Stripper Mower Vented	79	532127498	Bushing 747 Od X 794 Lg Brass
17	872110610	Bolt Rdhd Sqnk 3/8-16 X 1-1/4	80	532153701	Spring Clutch Mower
18	872140505	Bolt Rdhd Sqnk 5/16-18 X 5/8	81	873350600	Nut Hex Jam 3/8-16
19	532132827	Bolt Shoulder	82	532142028	Trunnion Adj 94
20	532136888	Baffle Vortex 42	83	532120958	Washer Sintered
21	873680500	Nut Crownlock 5/16-18 UNC	84	532156084	Keeper Belt Idler Fixed
22	532134753	Stiffener Bracket 42"deck	85	872140618	Bolt Carriage 3/8-16 x 2-1/4
23	532131267	Bracket Deflector Mower 42"	90	874760616	Bolt Fin Hex 3/8-16 UNC x 1
24	532105304	Cap Sleeve 80x 112 Blk Mower	91	532132274	Bracket Asm Noseroller LH
25	532123713	Spring Torsion Deflector 2 52	92	873800600	Nut Lock Hex W/Ins 3/8-16 Unc
26	532110452	Nut Push Phos & Oil	93	819171416	Washer 17/32 x 7/8 x 16 Ga.
27	532130968	Shield Deflector Mower 42" Blk	94	532132264	Roller Nose 38 & 42
28	819111016	Washer 11/32 X 5/8 X 16 Ga	95	532132273	Bracket Asm Noseroller RH
29	532131491	Rod Hinge 42"6 75 Wlg	111	532155197	Bracket Wheel Gauge LH 42" Deck
30	532138776	Screw Thdrol Hex Head Zinc Mwr	112	532155198	Bracket Gauge Wheel RH 42" Deck
31	532129963	Washer Spacer Mower Vented	113	817490512	Screw Thdrol 5/16-18 x 3/4
32	532153535	Pulley Mandrel 42/44/50	114	873510500	Nut Keps 5/16-18 UNC
33	532137266	Nut 9/16 Toplock Flng Oil Dip	115	872110504	Bolt Carriage 5/16-UNC x 1/2
34	872110614	Bolt Rdhd 3/8-16uncx1-3/4 Gr5	116	532137644	Bolt Shoulder
35	532133835	Fastner Christmas Tree	117	532133957	Wheel Gauge Blk
36	532131494	Pulley Idler Flat 3 060	118	873930600	Nut Centerlock 3/8-16 UNC
37	819131316	Washer 13/32 X 13/16 X 16	119	819121414	Washer 3/8 x 7/8 x 14 Ga.
40	873680600	Nut Crownlock 3/8-16 UNC	121	532143723	Bracket Extruded Gauge Wheel
41	532133551	Rod Pivot W/nibs	128	532153390	Washer Felt
43	532140083	Rod Clutch Secondary W/nibs	129	819131312	Washer 13/32 x 13/16 x 12 Ga.
44	532140088	Guard Mandrel LH Black	130	874780616	Bolt Fin Hex 3/8-16 UNC x 1 Gr. 5
45	532124788	Spring Retainer 1" Zinc/cad	131	872140608	Bolt Rdhd Sqnk 3/8-16 x 1
46	532137729	Screw Hex Thd Cut 1/4-20x5/8 T	--	532130794	Mandrel Asm Service (Includes Key Nos. 8-10, 12-15, 31 and 33)
48	532133944	Washer Hardened Smaller	--	532144783	Deck Serv 42"mch S Bar Multi-Lang (Standard Deck - Order noseroller, mulch cover and gauge wheel components separately Key Nos. 90-95, 101-106 and 111-120)
49	532155066	Roller Asm Cam Follower 42"dec			
50	532131340	Bolt Shldr 10-24 Zinc Gr 5 42"			
51	532069180	Nut Lock #10-24 Unc			
52	532139888	Bolt Shoulder 5/16-18 Unc Blkz			
53	532157388	Arm Asm Pad Brake			
54	532133943	Washer Hardened			

NOTE: All component dimensions given in U.S. inches
1 inch = 25.4 mm

O

MOWERLIFT



O

MOWERLIFT

KEY NO.	PART NO.	DESCRIPTION
1	532136973	Wire Asm Inner W/plunger 17 32
2	532145117	Shaft Asm Lift LH Inf Hgt P/L
3	532105767	Pin Groove 1 500 Zinc
4	812000002	E Ring #5133-62
5	819211621	Washer 21/32 X 1 X 21 Ga
6	532120183	Bearing Nylon Blk 629 Id
7	532125631	Grip Handle
8	532124526	Button Plunger Black
10	532122512	Spring Cprsn 3 750 Oiled
11	532139865	Link Lift LH
12	532139866	Link Lift RH
13	532124670	Retainer Spring
15	532127218	Link Front
16	873350800	Nut Jam Hex 1/2-13 Unc
17	532130171	Trunnion Blk Zinc
18	873800800	Nut Lock W/wsh 1/2-13unc
19	532139868	Arm Suspension Rear
20	532124660	Retainer Spring
23	532110807	Nut Special
24	819131016	Washer 13/32 X 5/8 X 16 Ga
25	532124874	Spring 2-1/8"
26	876020308	Pin Cotter 3/32 X 1/2
27	532126971	Rod Adj Lift Zinc 7 49 Wrk Lg
28	873350600	Nut Hex Jam 3/8-16 Unc
29	532138057	Knob Inf 3/8-16 Unc Blk W/sym
30	532150233	Trunnion Inf Height
31	532140302	Bearing pvt. Lift Spherical
32	873540600	Nut Crownlock 3/8-24
36	532155097	Pointer pnt Height Ind.
37	532123935	Plug hole Blk 1.485/1.515 Dia
38	817490512	Screw Thdrol 5/16-18 x 3/4 Tyt
40	819112410	Washer 11/32 x 1-1/2 10 Ga
41	532155098	Indicator Height
49	532145212	Nut Hex Flange Lock

NOTE: All component dimensions given in U.S. inches
1 inch = 25.4 mm