

YTH 130



1.1997

Spare parts

Ersatzteile

Pièces détachées

Reserve onderdelen

Repuestos

Reservdelar

Replaces

Ersetzt

Remplace

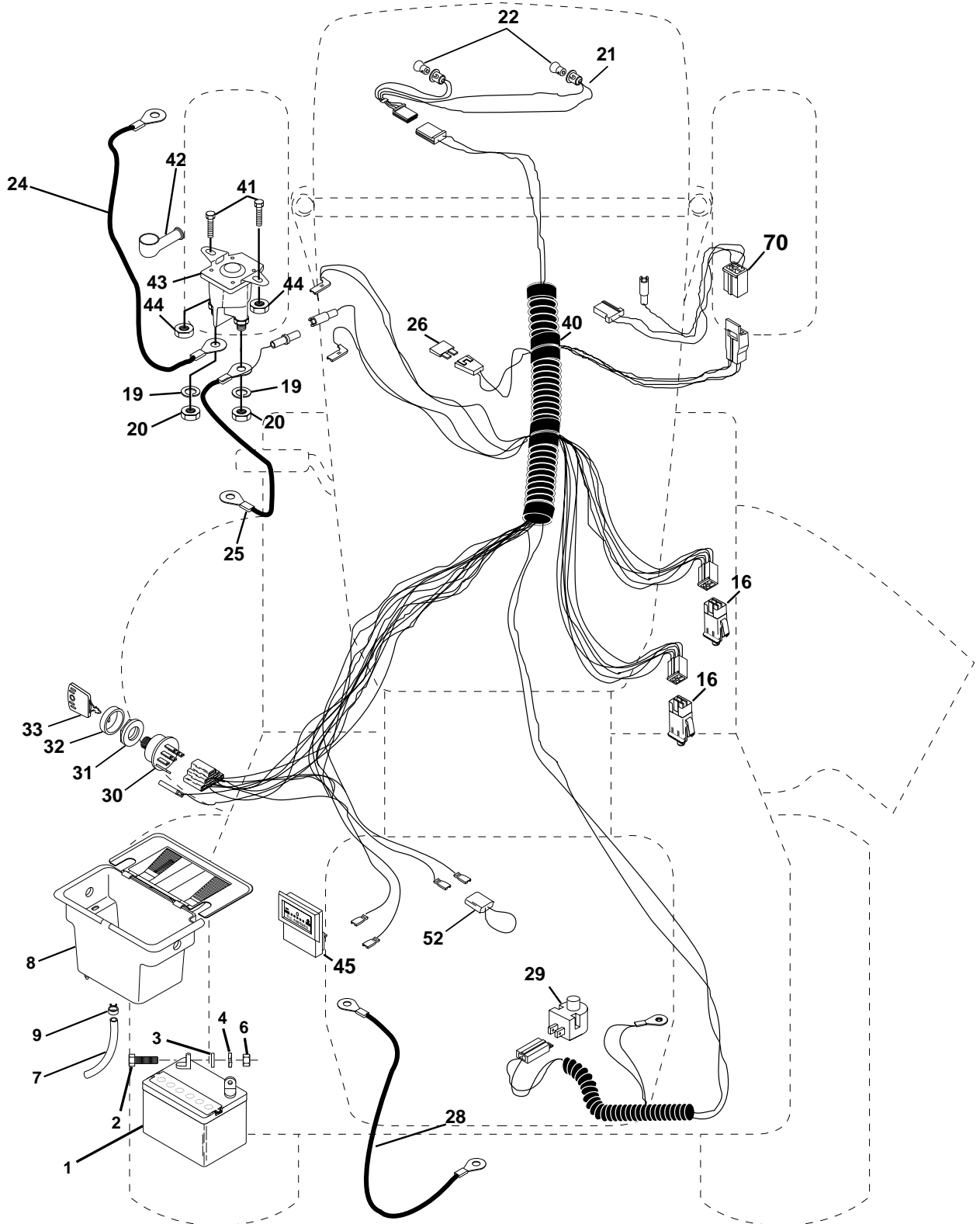
Vervangt

Reemplaza

Ersätter

P

ELECTRICAL



P

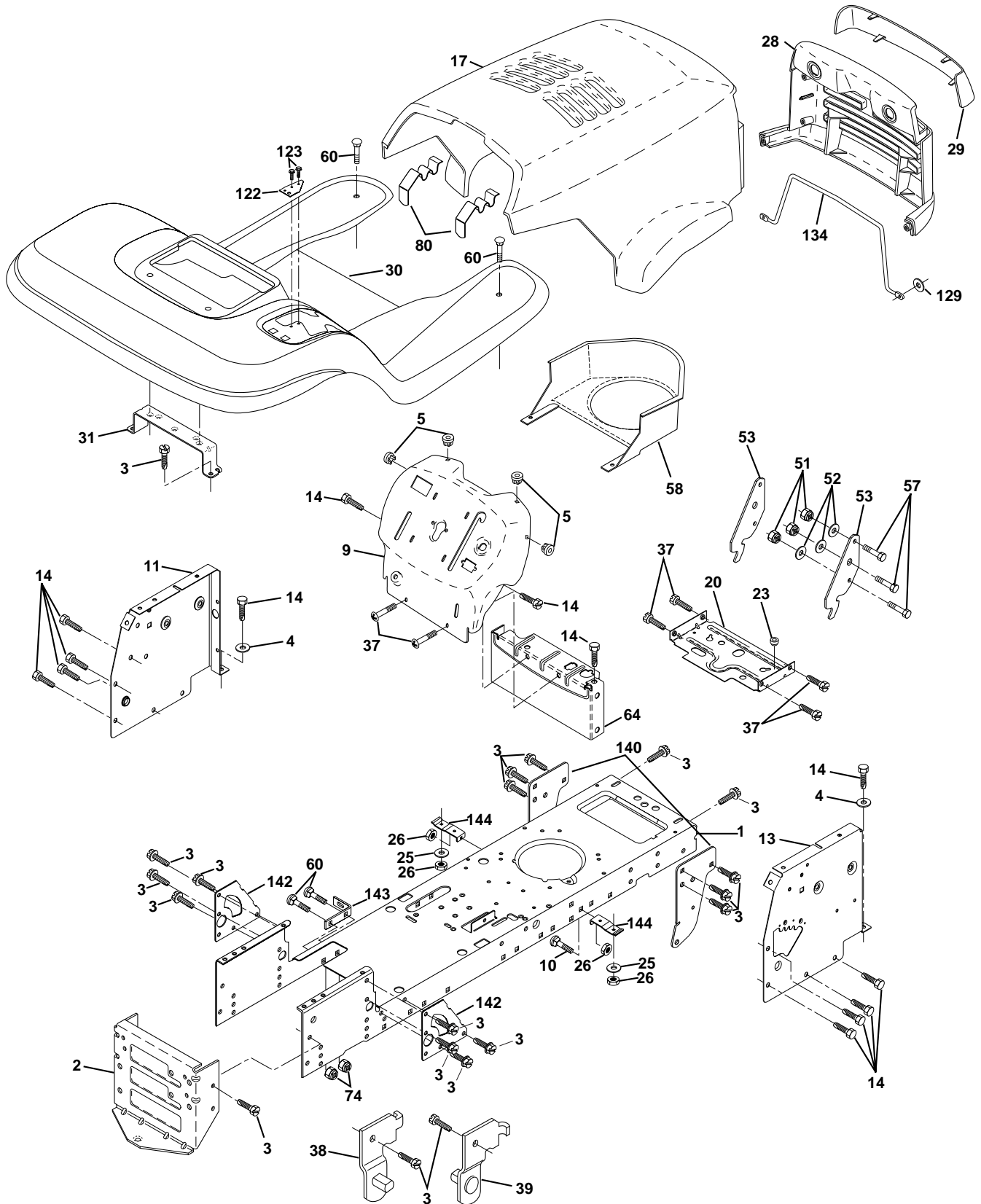
ELECTRICAL

KEY NO.	PART NO.	DESCRIPTION
1	532123899	Battery 12 Volt 25 AMP
2	874760412	Bolt Hex Hd 1/4-20unc X 3/4
3	819091016	Washer 9/32 X 5/8 X 16 Ga.
4	810040400	Washer Lock Hvy Helical 1/4
6	873220400	Nut Fin Hex 1/4-20 Unc
7	532109238	Tube Plastic 12"
8	532156417	Case Battery Mech Hinge
9	532109596	Clamp Hose Olive
16	532153664	Switch Interlock Push-In
19	810090400	Washer Lock 1/4
20	873350400	Nut Jam Hex 1/4-20 Unc
21	532136850	Harness Asm Light W/4152j
22	532004152	Bulb Light #1156
24	532124780	Cable Battery 6 Ga 11" red
25	532146147	Cable Battery 6 Ga 44" red w/16 wire
26	532108824	Fuse 30 AMP Auto Green
28	532124773	Cable Ground 6 Ga 12" black
29	532121305	Switch Plunger Nc Gray
30	532140301	Switch Ign 4 pos w/lights
31	532124211	Nut Ignition
32	532141226	Cover Sw Ignition
33	532122147	Key Ign Modelled Generic
40	532156442	Harness Ign.
41	871110408	Bolt Blk Fin Hex 1/4 - 20 x 1/2
42	532131563	Cover Terminal Red
43	532145673	Solenoid
44	873640400	Nut Keps Hex 1/4-20 Unc
45	532121433	Ammeter Rectangular 6 Amp
52	532141940	Protection Wire Loop
70	532140413	Harness, Eng. B&S/Tec Dual

NOTE: All component dimensions given in U.S. inches.
1 inch = 25.4 mm.

A

CHASSIS AND ENCLOSURES



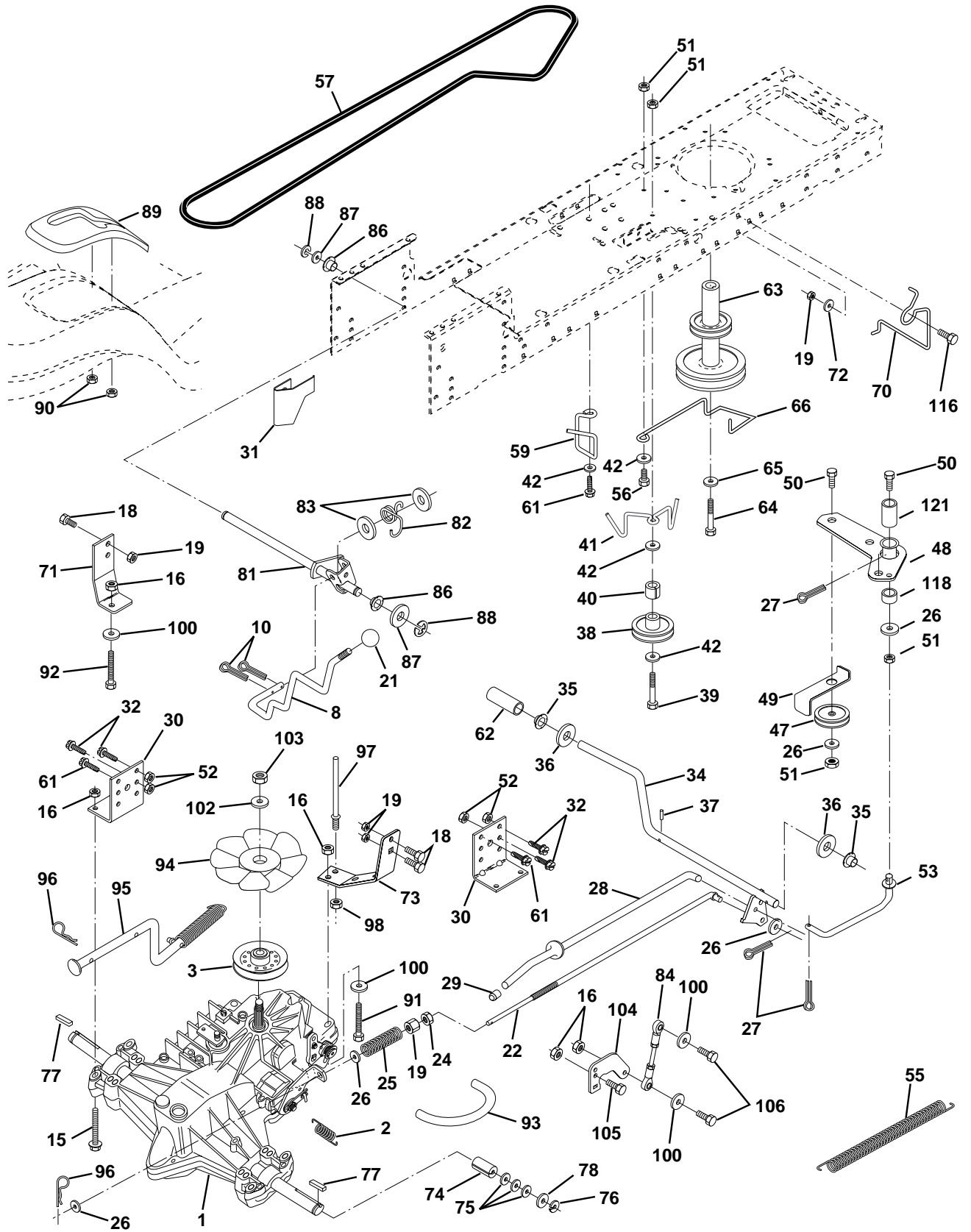
A

CHASSIS AND ENCLOSURES

KEY NO.	PART NO.	DESCRIPTION
1	532153871	Chassis Weldment
2	532140356	Drawbar, Stretch
3	817490612	Screw Thdrol 3/8-16x3/4 Ty-tt
4	819131216	Washer 13/32 x 3/4 x 16 Ga.
5	532155272	Bumper Hood/Dash
9	532157663	Dash P/L M, W/AMM N/HM
10	872140608	Bolt Carriage 3/8-16 x 1
11	532155927	Panel Dash Lh
13	532157262	Panel Dash Rh
14	817490608	Screw Thdrol 3/8-16x1/2 Ty-tt
17	532156051	Hood LT/PL Husqvarna
20	532156437	Plate Mtg Battery Fuel Tank Fr
23	532124028	Bushing
25	819131312	Washer 13/32 X 13/16 X 12 Ga
26	873800600	Nut Lock Hex W/Ins 3/8-16 Unc
28	532149776	Grille LT/PL Husqvarna
29	532149777	Lens LT/PL Husqvarna
30	532156489	Fender Footrest STLT Pnt
31	532139976	Bracket Support Fender
37	817490508	Screw Thdrol 5/16-18 x 1/2 TYT
38	532139886	Bracket, Asm. Pivot, L.H., Mower Rear
39	532139887	Bracket, Asm. Pivot, R.H., Mower Rear
51	873800400	Nut Lock Hex W/Ins 1/4-20
52	819091416	Washer 9/32 x 7/8 x 16 Ga.
53	532150067	Bracket Pnt. Pick off LT/PL Husqvarna
57	874780412	Bolt Hex 1/4-20 x 3/4
58	532150127	Air Duct Engine P/L
60	872140606	Bolt Rdhd Sqnk 3/8-16unc x 3/4
64	532154798	Dash Lower STLT
74	873680600	Nut Crownlock 3/8-16 UNC
80	532155854	Latch Hood Plm Husqvarna
122	532157301	Bracket Shift Stlt
123	532157927	Screw TT #10-32 x 5 x 3/8 Flange
129	819091016	Washer 9/32 x 5/8 x 16 Ga.
134	532150132	Rod Support Hood LT/PL Husq.
140	532150556	Bracket Chassis Front 7 Ga.
142	532156095	Plate Reinforcement STLT
143	532154966	Bracket Swaybar Chassis
144	532154207	Bracket Pnt Footrest STLT
--	532005479	Plug Button

NOTE: All component dimensions given in U.S. inches
1 inch = 25.4 mm

L DRIVE



L

DRIVE

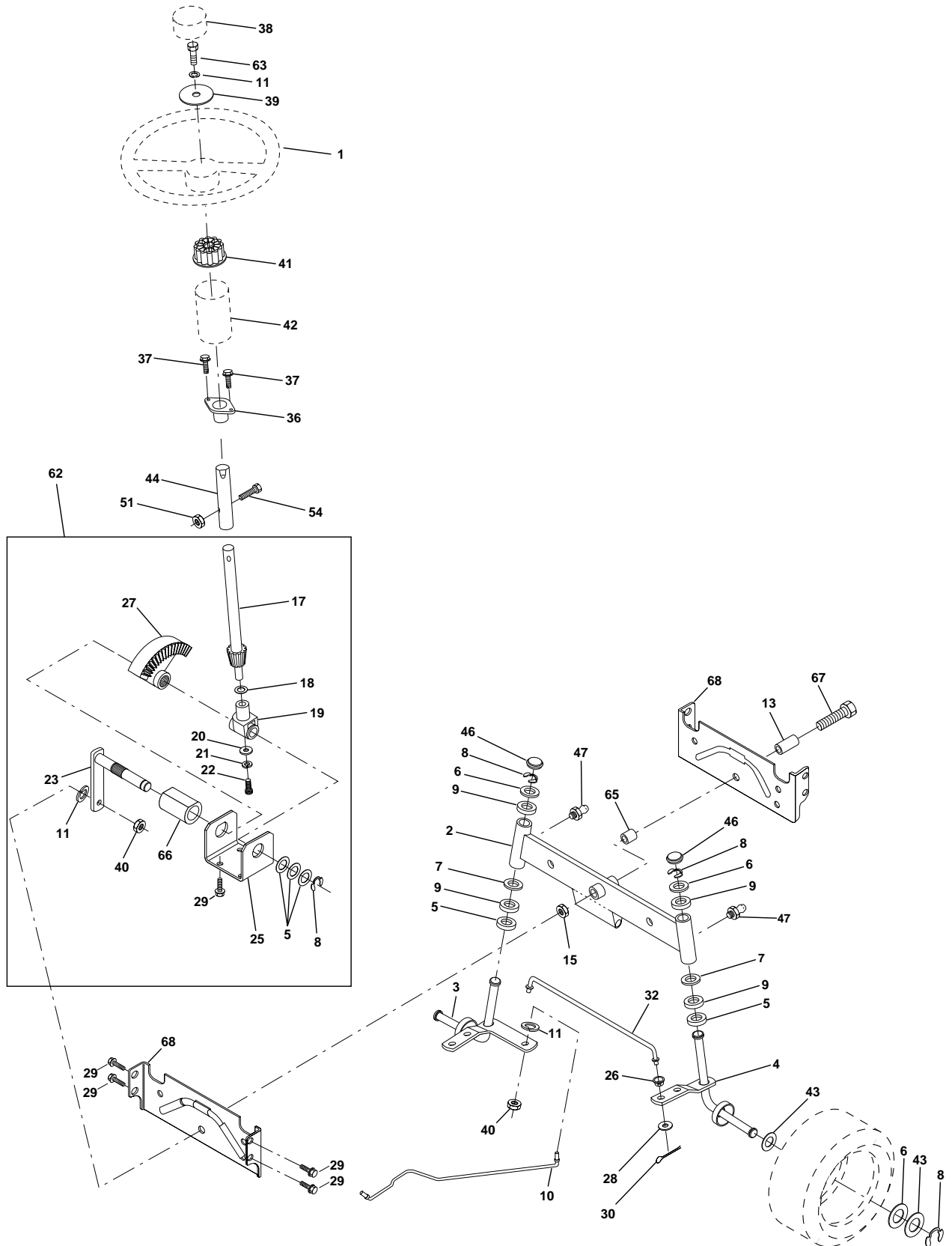
KEY PART NO. NO.	DESCRIPTION
1	532150071 Transaxle
2	532142431 Spring, Return, Brake
3	532143995 Pulley, Transaxle
8	532154792 Rod Shift Fender STLT
10	876020416 Pin Cotter 1/8 x 1 CAD
15	874490544 Bolt Hex Flghd 5/16-18 Gr. 5
16	873800500 Nut Lock Hex W/Ins. 5/16-18 Unc P
18	874780616 Bolt Fin Hex 3/8-16 Unc x 1 Gr. 5
19	873800600 Nut Lock Hex W/Wsh 3/8-16 Unc
21	532121274 Knob, Duckhead
22	532145627 Rod, Brake Hydro
24	873350600 Nut
25	532106888 Spring, Brake Rod
26	819131316 Washer
27	876020412 Pin Cotter 1/8 x 3/4 CAD.
28	532145204 Rod, Parking Brake
29	532071673 Cap, Parking Brake
30	532130807 Bracket, Transaxle
31	532127275 Keeper Belt Lh
32	874760512 Bolt Hex Hd 5/16-18 Unc x 3/4
34	532155071 Shaft, Foot Pedal
35	532120183 Bearing, Nylon
36	819211616 Washer
37	532124963 Pin, Roll
38	532123674 Pulley, Idler, Flat
39	874760644 Bolt
40	532124965 Spacer, Split
41	532154777 Keeper, Belt Idler
42	819131312 Washer 13/32 x 13/16 x 12 Gauge
47	532127783 Pulley, Idler, V-Groove
48	532154604 Bellcrank Assembly
49	532123205 Retainer, Belt
50	874760624 Bolt
51	873680600 Nut
52	873680500 Nut Crownlock 5/16-18
53	532105710 Link, Clutch
55	532105709 Spring, Return, Clutch
56	874760620 Bolt Fin Hex 3/8-16 UNC x 1-1/4
57	531006042 V-Belt, Ground Drive
59	532140312 Keeper, Center Span
61	817490612 Screw Thdrol. 3/8-16 x 3/4 Ty. TT
62	532123533 Cover, Pedal

KEY PART NO. NO.	DESCRIPTION
63	532140186 Pulley, Clutch Eng
64	871180764 Bolt Hex 7/16-20 x 4-1/4 Ga. 5
65	810040700 Washer
66	532154778 Keeper Belt Engine
70	532134683 Guide Belt Mower Drive RH
71	532140158 Strap Torque Lh Hydro
72	819132012 Washer 13/32 x 1-1/4 x 12 Ga.
73	532156347 Strap Torque Rh Hydro
74	532121199 Spacer, Split
75	532121749 Washer 25/32 x 1-1/4 x 16 Gauge
76	812000001 E-Ring
77	532123583 Key, Square
78	532121748 Washer 25/32 x 1-5/8 x 16 Gauge
81	532156046 Shaft Asm. Cross Hydro
82	532123782 Spring Torsion T/A
83	819171216 Washer 17/32 x 3/4 x 16 Ga.
84	532140548 Rod, Tie Hydro
86	532071208 Bushing Rod Steering 629/632 ID
87	819212016 Washer 21/32 x 1-1/4 x 16 Ga.
88	812000008 Ring Klip #5304-62
89	532154882 Console, Shift
90	532124346 Nut Self-Thd wsh-Hd 1/4 Zinc
91	874780536 Bolt Fin Hex 5/16-18 x 2-1/4
92	874780524 Bolt Fin Hex 5/6-18 Unc x 1-1/2
93	532142564 Line Fuel Hydro 4"
94	532140462 Fan, Hydro 7"
95	532144643 Control Asm Bypass Hydro
96	532124788 Retainer Spring 1" Zinc/Cad
97	532140469 Keeper Belt Rh Hydro
98	873510600 Nut Keps Hex 3/8-16 Unc
100	819111216 Washer 11/32 x 3/4 x 16 Ga.
102	532141322 Washer, Bellville .50 ID x 1.50 D
103	873940800 Nut Nylon Insert 1/2-20 Unf.
104	532140156 Arm, Control Hydro
105	871070516 Screw Cap Hex 5/16 x 18 x 1
106	874780520 Bolt Fin Hex 5/16-18 Unc x 1-1/4
116	872110610 Boulon 3/8-16 x 1.25
118	532154774 Spacer Bellcrank
121	532154419 Nyliner Clutching Stl

NOTE: All component dimensions given in U.S. inches
1 inch = 25.4 mm

H

STEERING ASSEMBLY



H

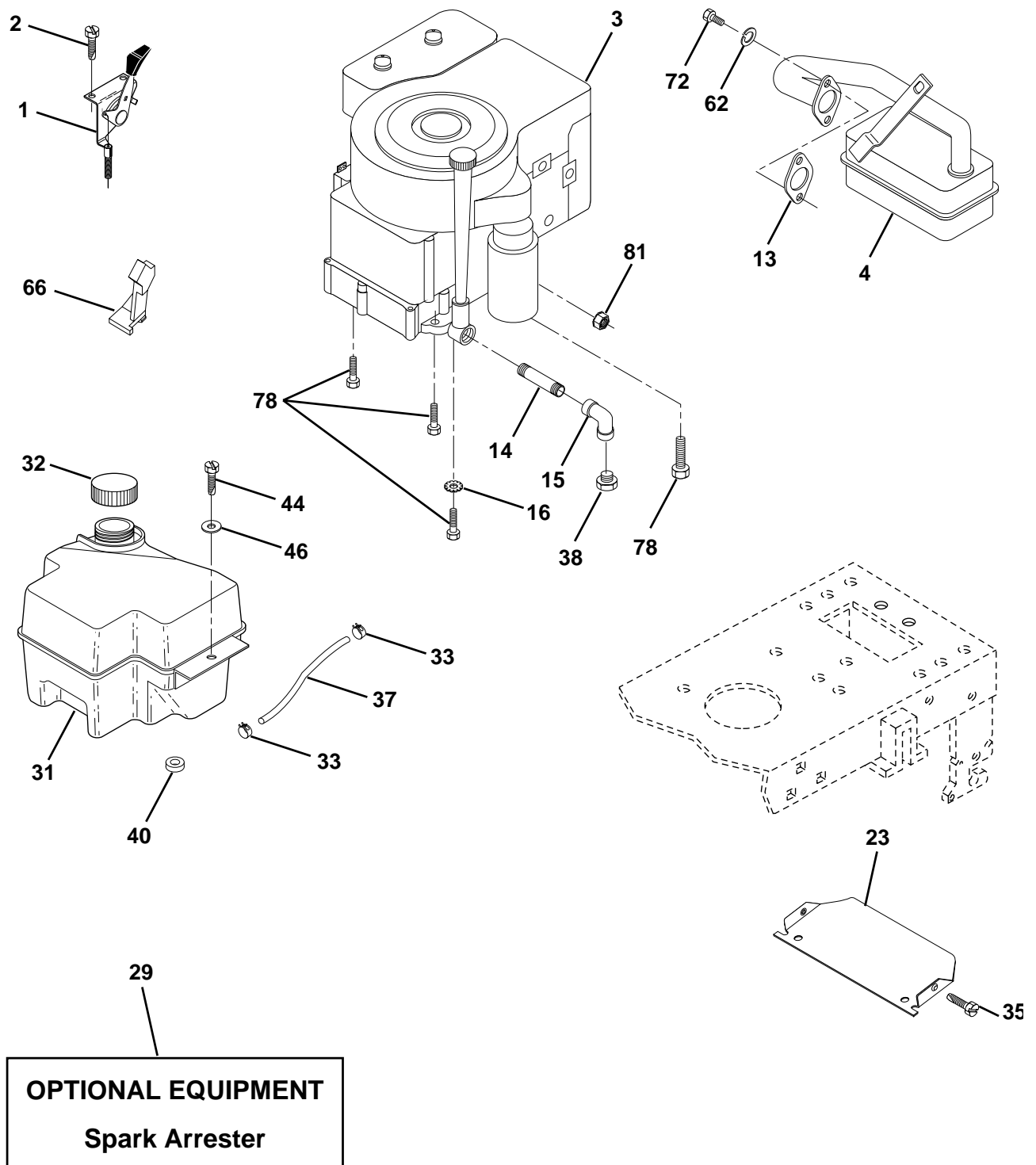
STEERING ASSEMBLY

KEY NO.	PART NO.	DESCRIPTION
1	532124415	Wheel Steering
2	532154427	Axle Asm STMP Dropped STL
3	532154422	Spindle Asm LH
4	532154423	Spindle Asm RH
5	532124931	Bearing Race Thrust Harden
6	532121748	Washer 25/32 X 1-5/8 X 16 Ga
7	819272016	Washer 27/32 X 1-1/4 X 16 Ga
8	812000029	Ring Klip #t5304-75
9	532124937	Bearing Col Strg Blk
10	532156438	Link Drag Extended Stamp
11	810040600	Washer Lock Hvy Hlcl Spr 3/8
13	532154779	Bearing Axle STLT/GT
15	873901000	Nut Lock Flange 5/8-11 Unc
17	532156546	Shaft Asm Strg
18	532057079	Washer Thrust 515x 750x 033
19	532124035	Support Shaft
20	532126684	Washer Shim 1/4 X 5/8 X 062
21	810040400	Washer Lock Hvy Helical 1/4
22	871100410	Screw Cap Sckt Hd Phos & Oil
23	532127501	Shaft Asm Pittman
25	532154406	Bracket Steering
26	532126847	Bushing Link Drag Blk LR
27	532136874	Gear Sector
28	819131416	Washer 13/32 X 7/8 X 16 Ga
29	817490612	Screw Thdrol 3/8-16x3/4 Ty-tt
30	876020412	Pin Cotter 1/8 X 3/4 Cad
32	532130465	Rod Tie Wire Form 19 75 Mech
36	532155099	Bushing Strg
37	532152927	Screw
38	532124416	Insert Cap Strg Wh Au
39	819133808	Washer 13/32 X 2-3/8 X 8 Ga
40	532124701	Lock nut
41	532100711	Adaptor Wheel Strg
42	532155092	Boot Steering Shaft
43	532121749	Washer 25/32 X 1 1/4 X 16 Ga
44	532153720	Extension Steering Shaft LR/LT
46	532121232	Cap Spindle Fr Top Blk
47	532124836	Fitting Grease
51	873800500	Nut Lock Hex w/Ins 5/16-18
54	874780520	Bolt Fin Hex 5/16-18 Unc x 1-1/4
62	532156594	Kit, Steering Assembly Svc
63	874780616	Bolt Fin Hex 3/8-16unc x 1 Gr. 5
65	532154780	Spacer Axle
66	532154404	Bearing Arm Pittman
67	874781044	Bolt, Fin Hex 5/8-11 UNC x 2-3/4
68	532154429	Axle, Brace

NOTE: All component dimensions given in U.S. inches.
1 inch = 25.4 mm.

F

ENGINE



F

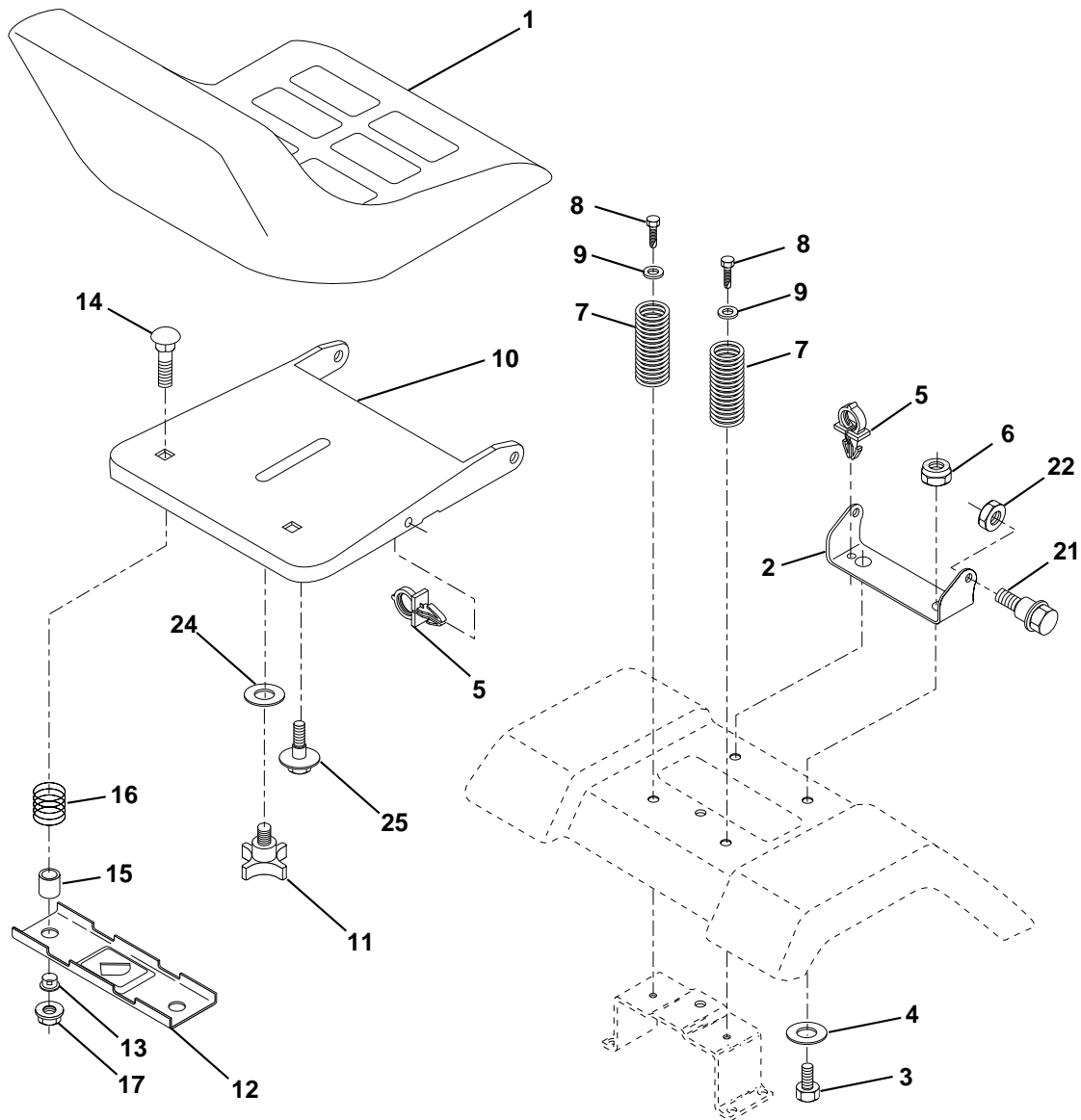
ENGINE

KEY NO.	PART NO.	DESCRIPTION
1	532141359	Control Th/ch 20 22 LH Flag
2	817720410	Screw Hex Thd Cut 1/4-20x5/8 T
3	-----	Engine
4	532137348	Muffler LT B&S 12/12.5/13HP
13	532272293	Gasket Eng 1 313 Id Tin Plated
14	813280324	Nipple Pipe 3/8 Npt X 3"
15	813200300	Elbow Std 90 Degree 3/8-18 Npt
16	811050600	Washer Lock Ext Tooth 3/8
23	532156123	Shield Heat
29	532137180	Kit Spark Arrestor (Flat Scrn)
31	532140280	Tank Fuel Front 2 00
32	532140527	Cap Asm Fuel W/sym Vented
33	532123487	Clamp Hose Black
35	817490512	Screw
37	532137040	Line Fuel 20"
38	-----	Plug Oil Drain (Order From Engine Manufacturer)
40	532124028	Bushing Snap Nyl Blk Fuel Line
44	817490412	Screw Hexwsh Thdrol 1/4-20x3/4
46	819091416	Washer 9/32 X 7/8 X 16 Ga
62	810040500	Washer Lock Hvy Hlcl Spr 5/16
66	532127951	Stop Throttle 3000 RPM
72	871070512	Screw Hexhd Cap 5/16-18x 3/4
78	817490620	Screw Thdrol 3/8-16x1-1/4 TYTT
81	532128861	Nut Flange 1/4-20 Starter Nut

NOTE: All component dimensions given in U.S. inches
1 inch = 25.4 mm

C

SEAT ASSEMBLY



**KEY PART
NO. NO.**

DESCRIPTION

1	532140839	Seat
2	532140551	Bracket Pivot Seat 8 720
3	874760616	Bolt Fin Hex 3/8-16unc X 1
4	819131610	Washer 13/32 X 1 X 10 Ga
5	532145006	Clip Push-In
6	873800600	Nut Hex w/Ins. 3/8-16 Unc
7	532124181	Spring Seat Cprsn 2 250 Blk Zi
8	817490616	Screw Thdrol 3/8-16 X 1 Ty-tt
9	819131614	Washer 13/32 X 1 X 14 Ga.
10	532155925	Pan Seat
11	532120068	Knob Seat 1/2-13 UNC Blk
12	532121246	Bracket Mounting Switch

**KEY PART
NO. NO.**

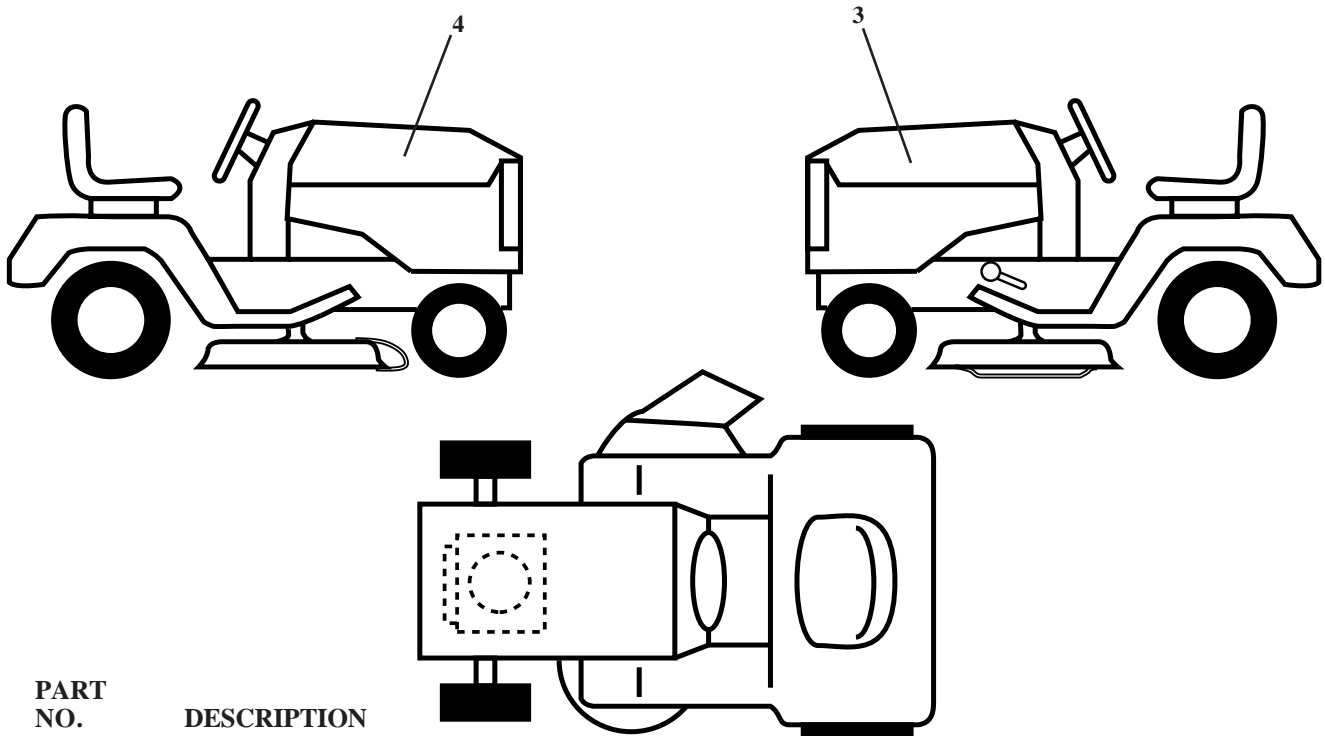
DESCRIPTION

13	532121248	Bushing Snap Blk Nyl 50 Id
14	872050411	Bolt Rdhd Sqnk 1/4-20x1-3/8
15	532134300	Spacer Split 28x 96 Yel Zinc
16	532121250	Spring Cprsn 1 27 Blk Pnt
17	532123976	Nut Lock 1/4 Lge Flg Gr 5 Zinc
21	532153236	Bolt Shoulder 5/16-18 Unc
22	873800500	Nut Hex Lock W/Ins 5/16-18
24	819171912	Washer 17/32 X 1-3/16 X 12 Ga.
25	532127018	Bolt Shoulder 5/16-18 X 62

NOTE: All component dimensions given in U.S. inches.
1 inch = 25.4 mm

R

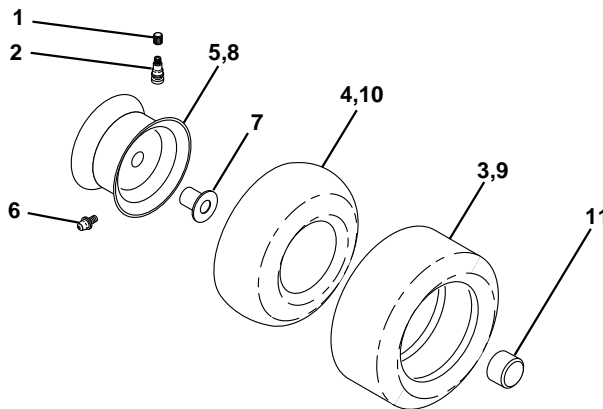
DECALS



KEY NO.	PART NO.	DESCRIPTION
3	532150724	Decal Hood LH
4	532150723	Decal Hood RH

R

WHEELS & TIRES

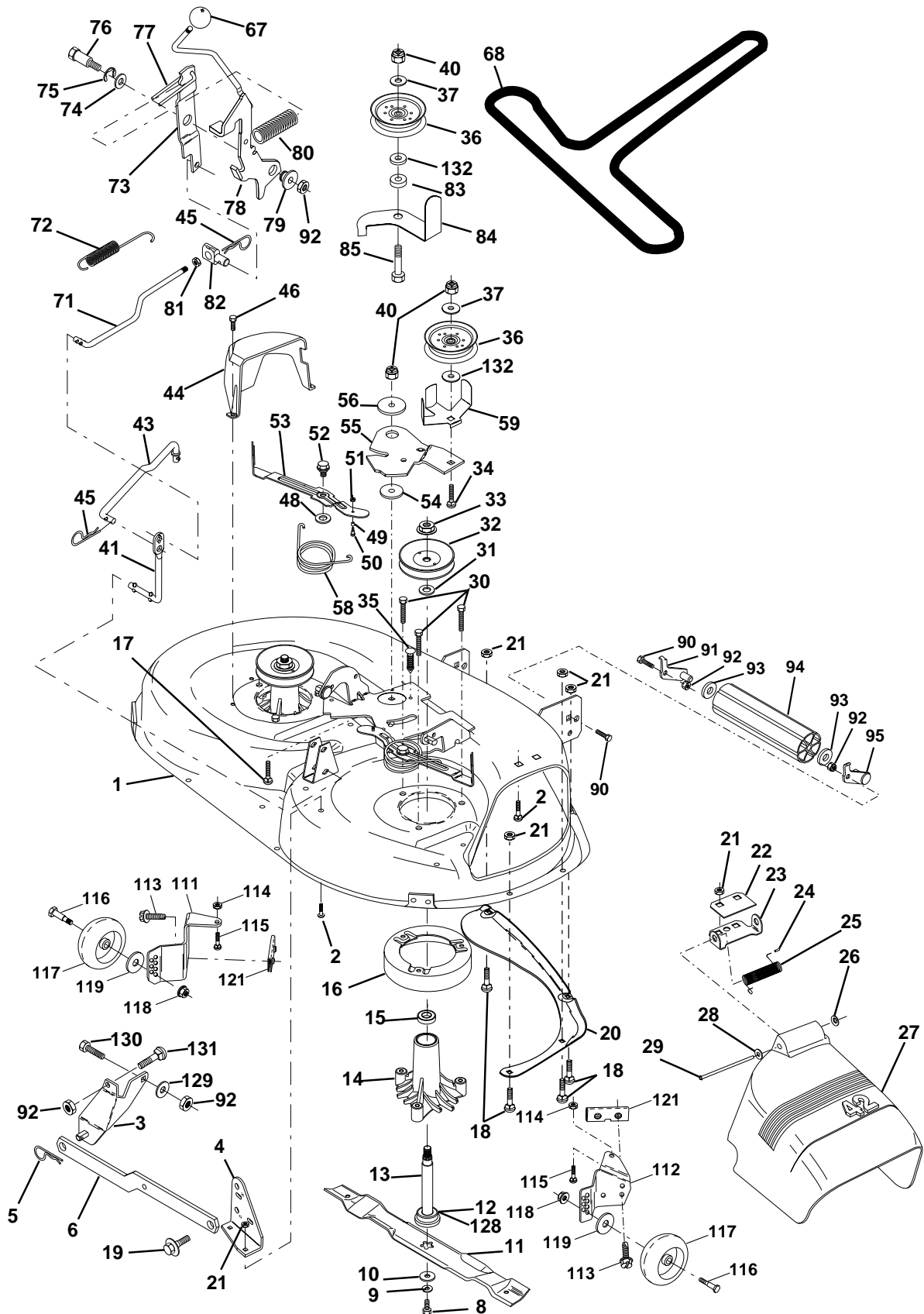


KEY NO.	PART NO.	DESCRIPTION
1	532059192	Cap Valve Tire
2	532065139	Stem Valve
3	532106222	Tire F Ts 15 X 6 0 - 6 Service
4	532059904	Tube Front (Service Item Only)
5	532138336	Rim Asm 6"front Silver Service
6	532124957	Fitting Grease (Front Wheel Only)
7	532124959	Bearing Flange (Front Wheel Only)
8	532138337	Rim Asm 8"rear Silver Service
9	532122082	Tire R Ts 20x10-8 C Service
10	532007152	Tube Rear (Service Item Only)
11	532104757	Cap Axle Blk 1 50 X 1 00

NOTE: All component dimensions given in U.S. inches
1 inch = 25.4 mm

M

MOWERDECK



M

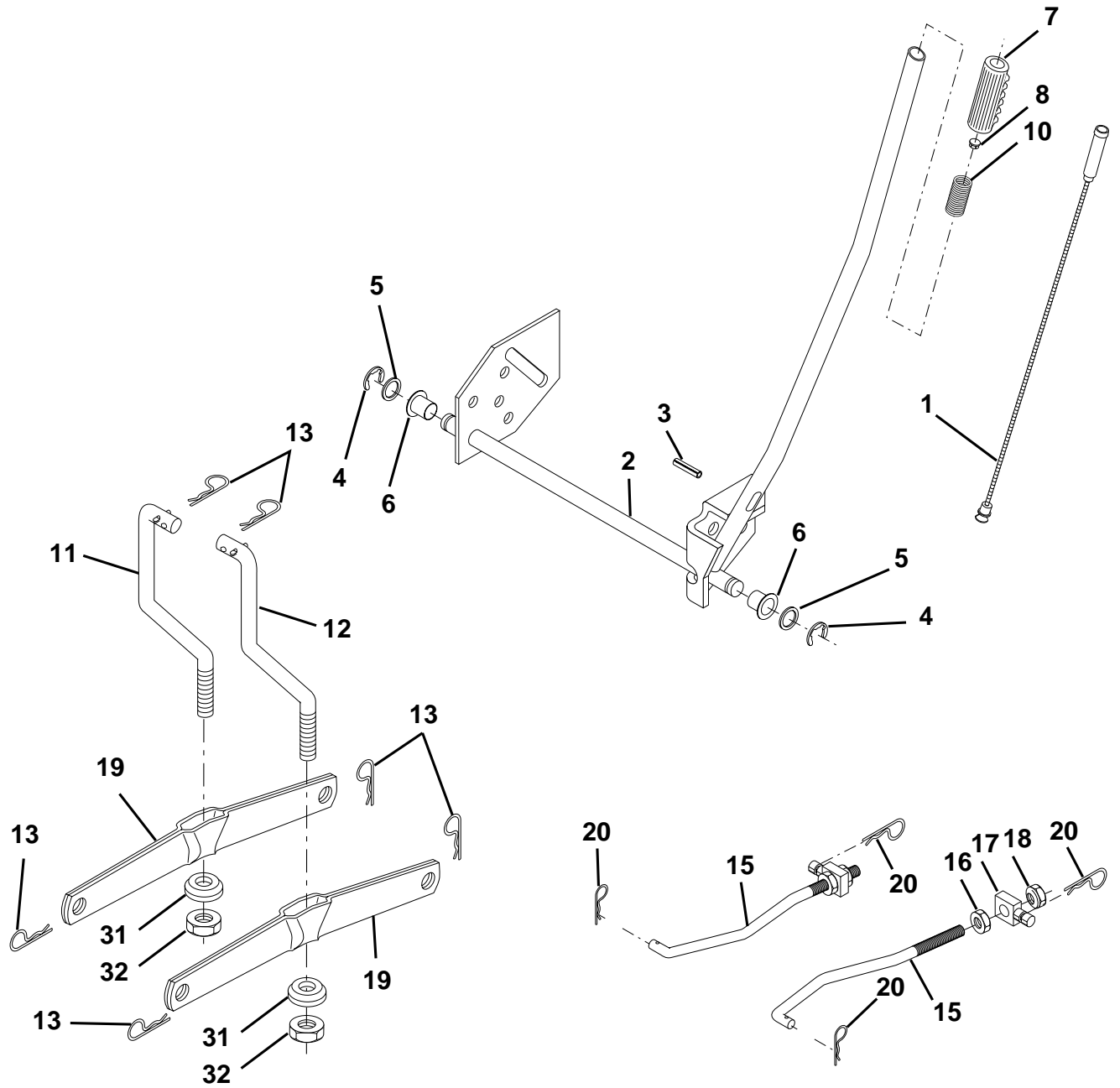
MOWERDECK

KEY NO.	PART NO.	DESCRIPTION	KEY NO.	PART NO.	DESCRIPTION
1	532144393	Deck Asm MWR 42"weldment	58	532140086	Spring Torsion Brakes
2	872140506	Bolt Rdhd Sqnk 5/16-18unc X3/4	59	532141043	Guard TUV Idler
3	532138017	Bracket Asm Fr Sway Bar 38/42	67	532106933	Knob Rd 1/2-13 Plstc Thds Blk
4	532138440	Bracket Asm Deck 42"sway Bar	68	531005086	V-Belt Mower 42"
5	532124670	Retainer Spring	71	532142427	Rod Clutch Primary 38/42
6	532130832	Arm Suspension Rear	72	532131870	Spring Return
8	532850857	Bolt 3/8 - 24 X 1.25 Gr 8	73	532127847	Arm Clutch Secondary
9	810030600	Washer Lock Hvy 3/8	74	532121748	Washer 25/32 X 1-5/8 X 16 Ga
10	532140296	Washer Hard Blade Mower Vented	75	812000029	Ring Klip #t5304-75
11	531005085	Blade Mower 42"	76	532128903	Bolt Shoulder 3/8-16 Unc 1 44
12	532129895	Bearing Ball #6024 (Mandrel)	77	532127845	Keeper Spring 4 000
13	532137645	Shaft Asm W/lower Bearing	78	532154809	Arm Asm Clutch Primary
14	532128774	Housing Mandrel Vented	79	532127498	Bushing 747 Od X 794 Lg Brass
15	532110485	Bearing Ball Mandrel	80	532153701	Spring Clutch Mower
16	532140329	Stripper Mower Vented	81	873350600	Nut Hex Jam 3/8-16
17	872110610	Bolt Rdhd Sqnk 3/8-16 X 1-1/4	82	532142028	Trunnion Adj 94
18	872140505	Bolt Rdhd Sqnk 5/16-18 X 5/8	83	532120958	Washer Sintered
19	532132827	Bolt Shoulder	84	532156084	Keeper Belt Idler
20	532136888	Baffle Vortex 42	85	872140618	Bolt Carriage 3/8-16 x 2-1/4 Gr.5
21	873680500	Nut Crownlock 5/16-18 UNC	90	874760616	Bolt Fin Hex 3/8-16 UNC x 1
22	532134753	Stiffener Bracket 42"deck	91	532132274	Bracket Asm Noseroller LH
23	532131267	Bracket Deflector Mower 42"	92	873800600	Nut Lock Hex W/Ins 3/8-16 Unc
24	532105304	Cap Sleeve 80x 112 Blk Mower	93	819171416	Washer 17/32 x 7/8 x 16 Ga.
25	532123713	Spring Torsion Deflector 2 52	94	532132264	Roller Nose 38 & 42
26	532110452	Nut Push Phos & Oil	95	532132273	Bracket Asm Noseroller RH
27	532130968	Shield Deflector Mower 42" Blk	111	532155197	Bracket Wheel Gauge LH 42" Deck
28	819111016	Washer 11/32 X 5/8 X 16 Ga	112	532155198	Bracket Gauge Wheel RH 42" Deck
29	532131491	Rod Hinge 42"6 75 Wlg	113	817490512	Screw Thdrol 5/16-18 X 3/4
30	532138776	Screw Thdrol Hex Head Zinc Mwr	114	873510500	Nut Keps 5/16-18 UNC
31	532129963	Washer Spacer Mower Vented	115	872110504	Bolt Carriage 5/16-UNC x 1/2
32	532153535	Pulley Mandrel 42"	116	532137644	Bolt Shoulder
33	532137266	Nut 9/16 Toplock Fling Oil Dip	117	532133957	Wheel Gauge Donut
34	872110614	Bolt Rdhd 3/8-16uncx1-3/4 Gr5	118	873930600	Nut Centerlock 3/8-16 UNC
35	532133835	Fastner Christmas Tree	119	819121414	Washer 3/8 x 7/8 x 14 Ga.
36	532131494	Pulley Idler Flat 3 060	121	532143723	Bracket Extruded Guage Wheel
37	819131316	Washer 13/32 X 13/16 X 16	128	532153390	Washer Felt
40	873680600	Nut Crownlock 3/8-16 UNC	129	819131312	Washer 13/32 x 13/16 x 12 Ga.
41	532133551	Rod Pivot W/nibs	130	874780616	Bolt Fin Hex 3/8-16 UNC x 1 Gr. 5
43	532140083	Rod Clutch Secondary W/nibs	131	872140608	Bolt Rdhd Sqnk 3/8-16 x 1
44	532140088	Guard Mandrel LH Black	132	019132203	Spacer Washer 13/32 I.D. x 1-3/8 O.D. x 1/4
45	532124788	Spring Retainer 1" Zinc/cad	--	532130794	Mandrel Asm Service (Includes Key Nos. 8-10, 12-15, 31 and 33)
46	532137729	Screw Hex Thd Cut 1/4-20x5/8 T	--	532144783	Deck Serv 42"mch S Bar Mult-Lang (Standard Deck - Order noseroller and gauge wheel components separately Key Nos. 90-95 and 111-120)
48	532133944	Washer Hardened Smaller			
49	532155066	Roller Asm Cam Follower 42"dec			
50	532131340	Bolt Shldr 10-24 Zinc Gr 5 42"			
51	532069180	Nut Lock #10-24 Unc			
52	532139888	Bolt Shoulder 5/16-18 Unc Blkz			
53	532157388	Arm Asm Pad Brake			
54	532133943	Washer Hardened			
55	532155046	Arm Idler 42"mower LT/YT			
56	532122052	Spacer Retainer Pm Mower			

NOTE: All component dimensions given in U.S. inches
1 inch = 25.4 mm

O

MOWERLIFT



O

MOWERLIFT

KEY NO.	PART NO.	DESCRIPTION
1	532136973	Wire Asm Inner W/plunger 17 32
2	532145117	Shaft Asm Lift
3	532105767	Pin Groove
4	812000002	E Ring #5133-62
5	819211621	Washer PLTD 21/32 X 1 X 21ga
6	532120183	Bearing Nylon Blk 629 Id
7	532125631	Grip Handle Fluted
8	532124526	Button Plunger Black
10	532122512	Spring Cprsn 3 750 Oiled
11	532139865	Link Lift LH
12	532139866	Link Lift RH
13	532124670	Retainer Spring
15	532127218	Link Front
16	873350800	Nut Jam Hex 1/2-13 Unc
17	532130171	Trunnion Blk Zinc
18	873800800	Nut Lock W/wsh 1/2-13unc
19	532139868	Arm Suspension Rear
20	532124660	Spring, Retainer
31	532140302	Bearing Pvt. Lift Spherical
32	873540600	Nut Crownlock 3/8-24

NOTE: All component dimensions given in U.S. inches
1 inch = 25.4 mm