

YTH 130



1.1998

Spare parts

Ersatzteile

Pièces détachées

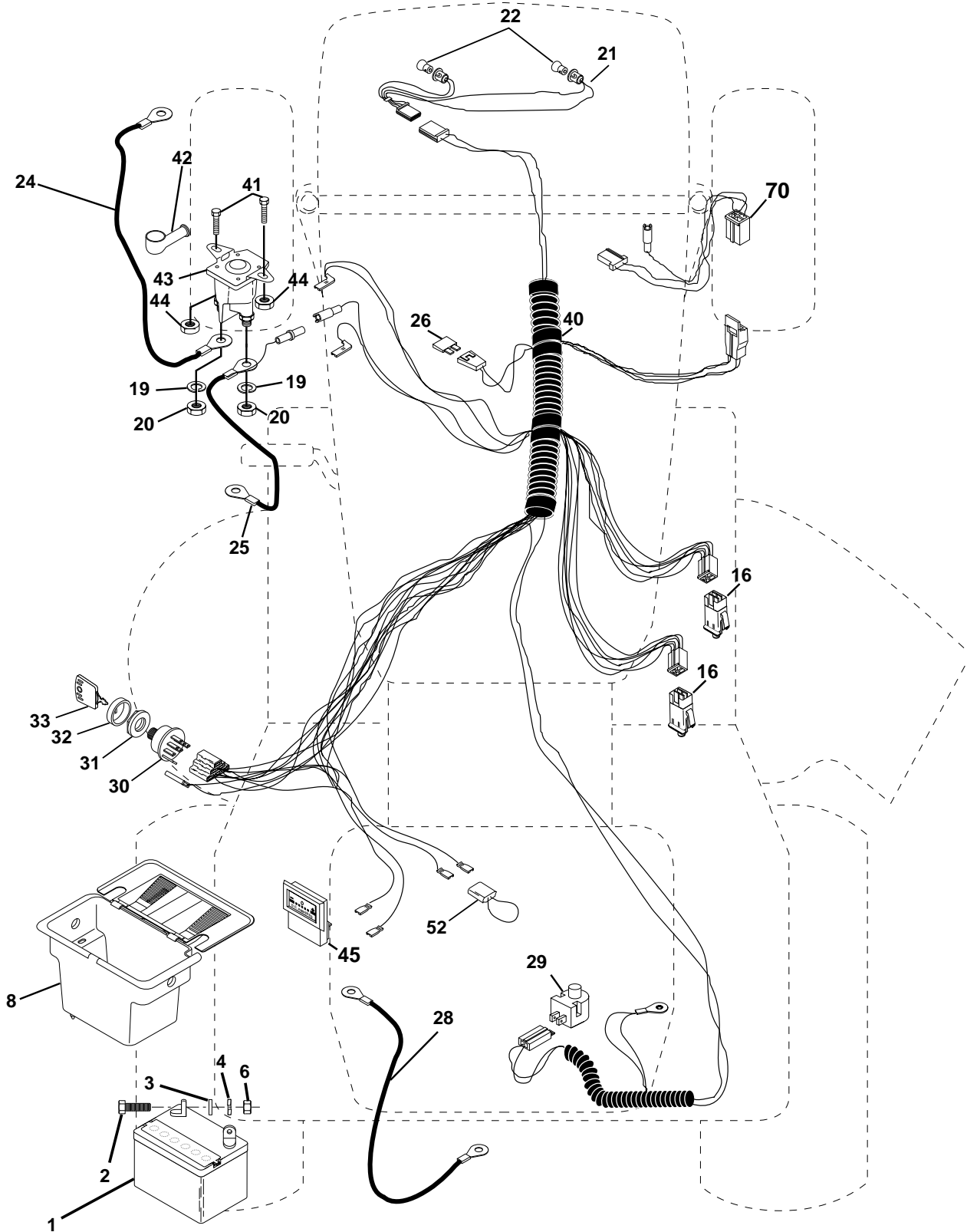
Reserve onderdelen

Repuestos

Reservdelar

P

ELECTRICAL



P

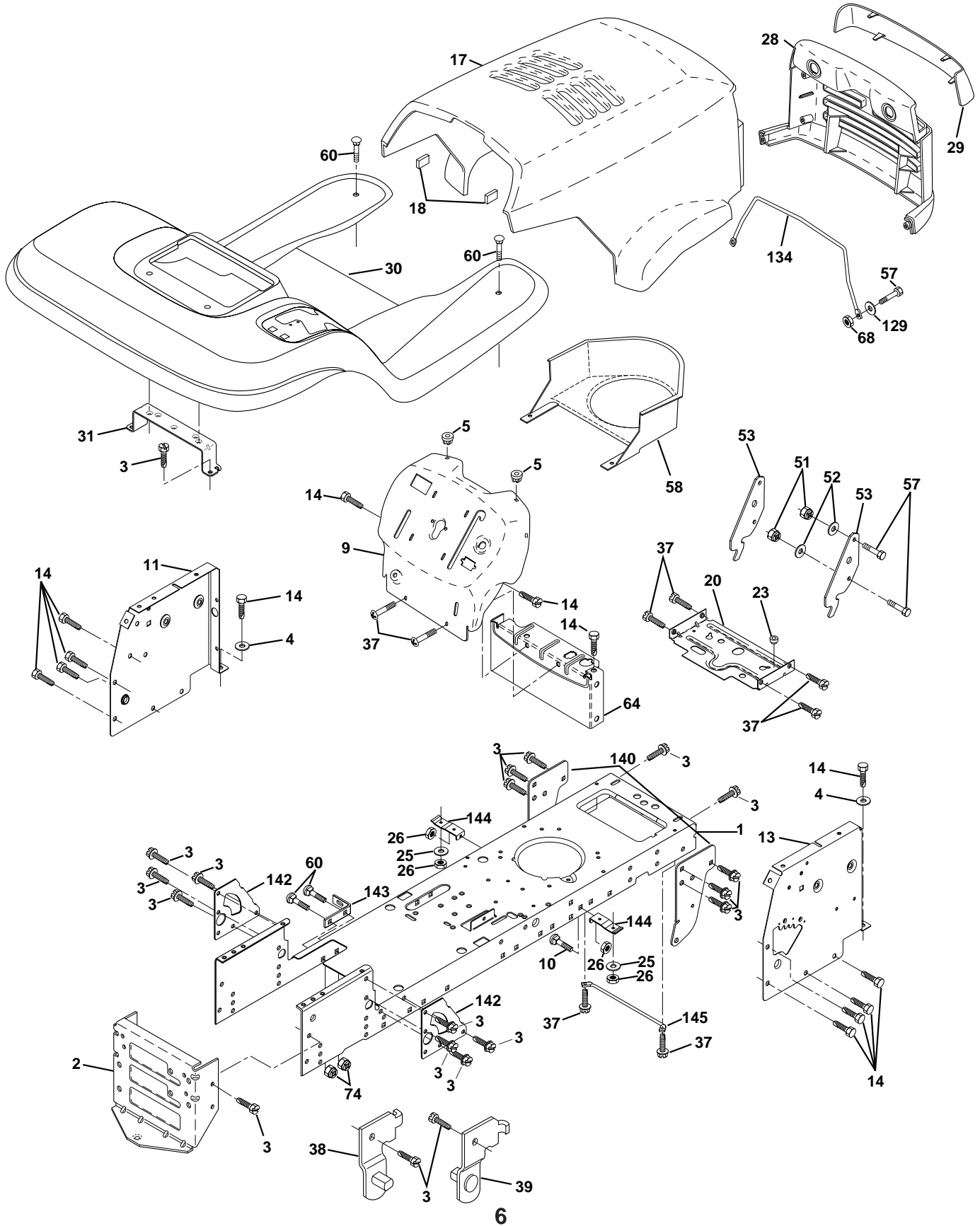
ELECTRICAL

KEY NO.	PART NO.	DESCRIPTION
1	532144925	Battery 12 Volt 25 AMP
2	874760412	Bolt Hex Hd 1/4-20unc X 3/4
3	819091016	Washer 9/32 X 5/8 X 16 Ga.
4	810040400	Washer Lock Hvy Helical 1/4
6	873220400	Nut Fin Hex 1/4-20 Unc
8	532156417	Case Battery Mech Hinge
16	532153664	Switch Interlock Push-In
19	810090400	Washer Lock 1/4
20	873350400	Nut Jam Hex 1/4-20 Unc
21	532136850	Harness Asm Light W/4152j
22	532004152	Bulb Light #1156
24	532124780	Cable Battery 6 Ga 11" red
25	532146147	Cable Battery 6 Ga 44" red w/16 wire
26	532108824	Fuse 30 AMP Auto Green
28	532124773	Cable Ground 6 Ga 12" black
29	532121305	Switch Plunger Nc Gray
30	532140301	Switch Ign 4 pos w/lights
31	532124211	Nut Ignition
32	532141226	Cover Sw Ignition
33	532122147	Key Ign Modelled Generic
40	532156442	Harness Ign.
41	871110408	Bolt Blk Fin Hex 1/4 - 20 x 1/2
42	532131563	Cover Terminal Red
43	532145673	Solenoid
44	873640400	Nut Keps Hex 1/4-20 Unc
45	532121433	Ammeter Rectangular 6 Amp
52	532141940	Protection Wire Loop
70	532140413	Harness, Eng. B&S/Tec Dual

NOTE: All component dimensions given in U.S. inches.
1 inch = 25.4 mm.

A

CHASSIS AND ENCLOSURES



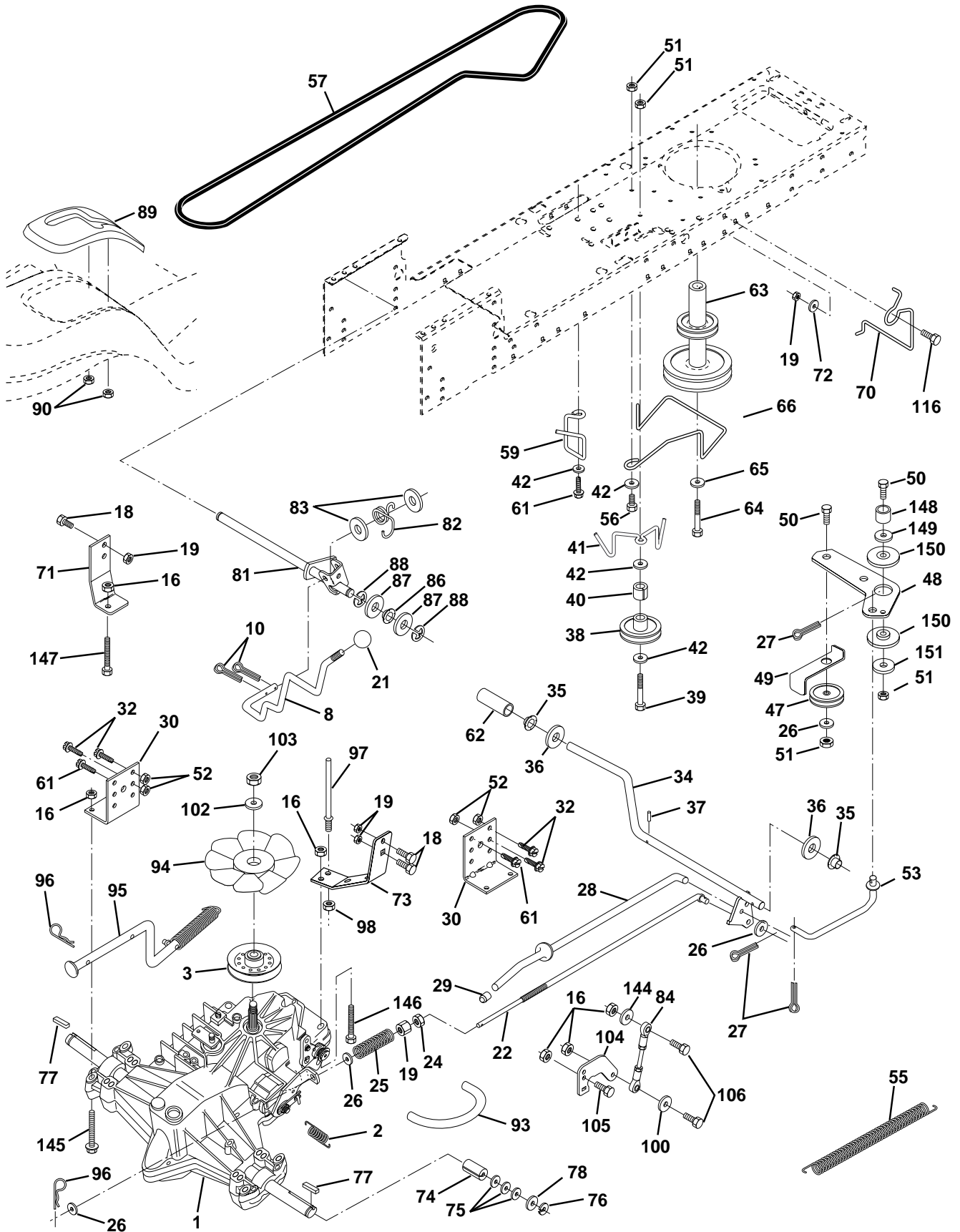
A

CHASSIS AND ENCLOSURES

KEY NO.	PART NO.	DESCRIPTION
1	532160392	Chassis Weldment
2	532140356	Drawbar, Stretch
3	817490612	Screw Thdrol 3/8-16x3/4 Ty-tt
4	819131216	Washer 13/32 x 3/4 x 16 Ga.
5	532155272	Bumper Hood/Dash
9	532163677	Dash P/L M, W/AMM N/HM
10	872140608	Bolt Carriage 3/8-16 x 1
11	532155927	Panel Dash Lh
13	532157262	Panel Dash Rh
14	817490608	Screw Thdrol 3/8-16x1/2 Ty-tt
17	532156051	Hood LT/PL Husqvarna
18	532126938	Bumper Hood
20	532156437	Plate Mtg Battery Fuel Tank Fr
23	532124028	Bushing
25	819131312	Washer 13/32 X 13/16 X 12 Ga
26	873800600	Nut Lock Hex W/Ins 3/8-16 Unc
28	532149776	Grille LT/PL Husqvarna
29	532149777	Lens LT/PL Husqvarna
30	532156489	Fender Footrest STLT Pnt
31	532139976	Bracket Support Fender
37	817490508	Screw Thdrol 5/16-18 x 1/2 TYT
38	532139886	Bracket, Asm. Pivot, L.H., Mower Rear
39	532139887	Bracket, Asm. Pivot, R.H., Mower Rear
51	873800400	Nut Lock Hex W/Ins 1/4-20
52	819091416	Washer 9/32 x 7/8 x 16 Ga.
53	532150067	Bracket Pnt. Pick off LT/PL Husqvarna
57	874780412	Bolt Hex 1/4-20 x 3/4
58	532150127	Air Duct Engine P/L
60	872140606	Bolt Rdhd Sqnk 3/8-16unc x 3/4
64	532154798	Dash Lower STLT
68	873510400	Nut Keps Hex 1/4-20 Unc
74	873680600	Nut Crownlock 3/8-16 UNC
129	819091016	Washer 9/32 x 5/8 x 16 Ga.
134	532160219	Rod Support Hood LT/PL Husq.
140	532158418	Bracket Suspension Front
142	532156095	Plate Reinforcement STLT
143	532154966	Bracket Swaybar Chassis
144	532154207	Bracket Pnt Footrest STLT
145	532156524	Rod Pivot Chassis/Hood
--	532005479	Plug Button

NOTE: All component dimensions given in U.S. inches
1 inch = 25.4 mm

L DRIVE



L

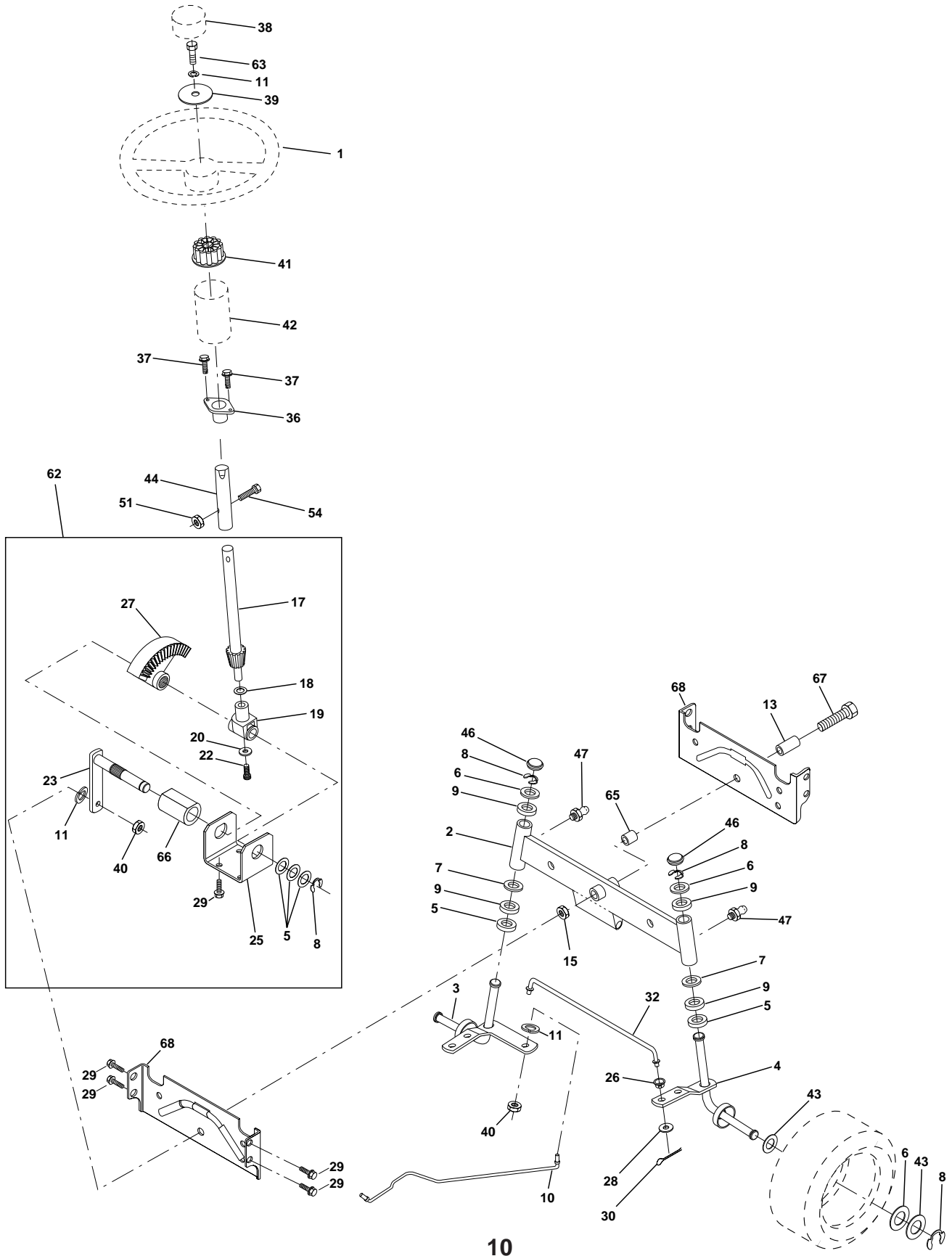
DRIVE

KEY PART NO. NO.	DESCRIPTION	KEY PART NO. NO.	DESCRIPTION		
1	532150071	Transaxle Assembly, 310-0650	64	871180764	Bolt Hex 7/16-20 x 4-1/4 Ga. 5
2	532142431	Spring, Return, Brake	65	810040700	Washer
3	532143995	Pulley, Transaxle	66	532161488	Keeper Belt Engine
8	532154792	Rod Shift Fender STLT	70	532134683	Guide Belt Mower Drive RH
10	876020416	Pin Cotter 1/8 x 1 CAD	71	532140158	Strap Torque Lh Hydro
15	874490544	Bolt Hex Flghd 5/16-18 Gr. 5	72	819132012	Washer 13/32 x 1-1/4 x 12 Ga.
16	873800500	Nut Lock Hex W/Ins. 5/16-18 Unc P	73	532156347	Strap Torque Rh Hydro
18	874780616	Bolt Fin Hex 3/8-16 Unc x 1 Gr. 5	74	532121199	Spacer, Split
19	873800600	Nut Lock Hex W/Wsh 3/8-16 Unc	75	532121749	Washer 25/32 x 1-1/4 x 16 Gauge
21	532121274	Knob, Duckhead	76	812000001	E-Ring
22	532145627	Rod, Brake Hydro	77	532123583	Key, Square
24	873350600	Nut	78	532121748	Washer 25/32 x 1-5/8 x 16 Gauge
25	532106888	Spring, Brake Rod	81	532161079	Shaft Asm. Cross Hydro
26	819131316	Washer	82	532123782	Spring Torsion T/A
27	876020412	Pin Cotter 1/8 x 3/4 CAD.	83	819171216	Washer 17/32 x 3/4 x 16 Ga.
28	532145204	Rod, Parking Brake	84	532161901	Rod, Tie Hydro
29	532071673	Cap, Parking Brake	86	532157480	Bushing
30	532130807	Bracket, Transaxle	87	819212016	Washer 21/32 x 1-1/4 x 16 Ga.
32	874760512	Bolt Hex Hd 5/16-18 Unc x 3/4	88	812000008	Ring Klip #5304-62
34	532155071	Shaft, Foot Pedal	89	532158388	Console, Shift
35	532120183	Bearing, Nylon	90	532124346	Nut Self-Thd wsh-Hd 1/4 Zinc
36	819211616	Washer	91	874780536	Bolt Fin Hex 5/16-18 x 2-1/4
37	532124963	Pin, Roll	92	874780524	Bolt Fin Hex 5/6-18 Unc x 1-1/2
38	532123674	Pulley, Idler, Flat	93	532142564	Line Fuel Hydro 4"
39	874760644	Bolt	94	532140462	Fan, Hydro 7"
40	532124965	Spacer, Split	95	532144643	Control Asm Bypass Hydro
41	532154777	Keeper, Belt Idler	96	532124788	Retainer Spring 1" Zinc/Cad
42	819131312	Washer 13/32 x 13/16 x 12 Gauge	97	532140469	Keeper Belt Rh Hydro
43	819111012	Washer 11/32 x 5/8 x 12 Ga.	98	873510600	Nut Keps Hex 3/8-16 Unc
47	532127783	Pulley, Idler, V-Groove	100	819111216	Washer 11/32 x 3/4 x 16 Ga.
48	532154407	Bellcrank Clutch Grnd Drv Stl	102	532141322	Washer, Bellville .50 ID x 1.50 D
49	532123205	Retainer, Belt	103	873940800	Nut Nylon Insert 1/2-20 Unf.
50	874760624	Bolt	104	532140156	Arm, Control Hydro
51	873680600	Nut	105	871070516	Screw Cap Hex 5/16 x 18 x 1
52	873680500	Nut Crownlock 5/16-18	106	874780520	Bolt Fin Hex 5/16-18 Unc x 1-1/4
53	532105710	Link, Clutch	116	872110610	Boulon 3/8-16 x 1.25
55	532105709	Spring, Return, Clutch	144	819111160	Washer 11/32 x 5/8 x 16 Ga.
56	874760620	Bolt Fin Hex 3/8-16 UNC x 1-1/4	148	532159103	Spacer
57	531006077	V-Belt, Ground Drive	149	532122052	Spacer Retainer PM Mower
59	532140312	Keeper, Center Span	150	532150935	Bushing Nylon Collared
61	817490612	Screw Thdrol. 3/8-16 x 3/4 Ty. TT	151	819133210	Washer 13/32 x 2 x 10 Ga.
62	532123533	Cover, Pedal			
63	532161399	Pulley, Clutch Eng			

NOTE: All component dimensions given in U.S. inches
1 inch = 25.4 mm

H

STEERING ASSEMBLY



H

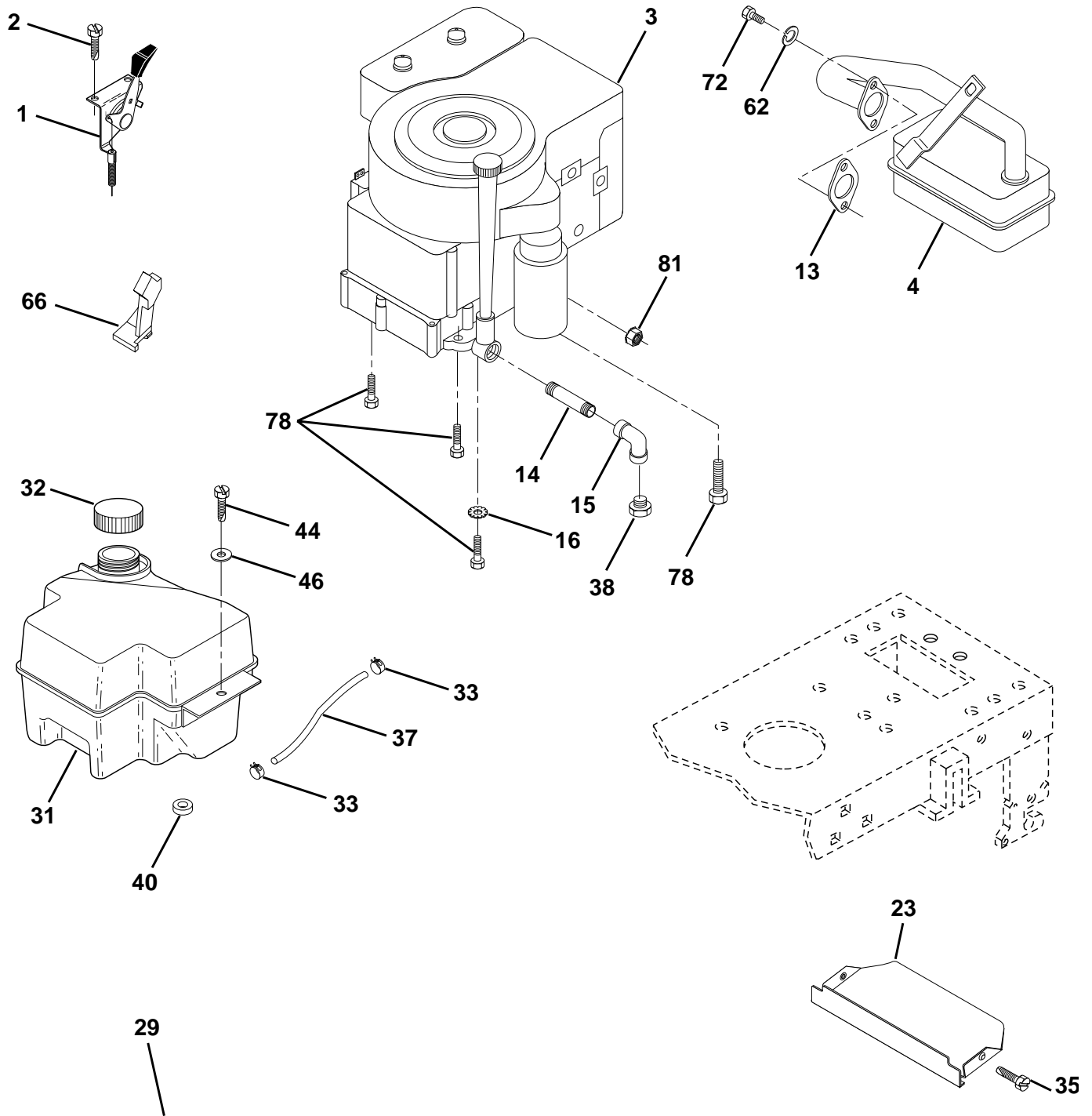
STEERING ASSEMBLY

KEY NO.	PART NO.	DESCRIPTION
1	532124415	Wheel Steering
2	532154427	Axle Asm STMP Dropped STL
3	532156483	Spindle Asm LH
4	532157473	Spindle Asm RH
5	532124931	Bearing Race Thrust Harden
6	532121748	Washer 25/32 X 1-5/8 X 16 Ga
7	819272016	Washer 27/32 X 1-1/4 X 16 Ga
8	812000029	Ring Klip #t5304-75
9	532124937	Bearing Col Strg Blk
10	532156438	Link Drag Extended Stamp
11	810040600	Washer Lock Hvy Hlcl Spr 3/8
13	532154779	Bearing Axle STLT/GT
15	873901000	Nut Lock Flange 5/8-11 Unc
17	532156546	Shaft Asm Strg
18	532057079	Washer Thrust 515x 750x 033
19	532124035	Support Shaft
20	532126684	Washer Shim 1/4 X 5/8 X 062
22	871200410	Screw Hex Socket 1/4-20 x 5/8
23	532127501	Shaft Asm Pittman
25	532154406	Bracket Steering
26	532126847	Bushing Link Drag Blk LR
27	532136874	Gear Sector
28	819131416	Washer 13/32 X 7/8 X 16 Ga
29	817490612	Screw Thdrol 3/8-16x3/4 Ty-tt
30	876020412	Pin Cotter 1/8 X 3/4 Cad
32	532130465	Rod Tie Wire Form 19 75 Mech
36	532155099	Bushing Strg
37	532152927	Screw
38	532124416	Insert Cap Strg Wh Au
39	819133808	Washer 13/32 X 2-3/8 X 8 Ga
40	532124701	Lock nut
41	532100711	Adaptor Wheel Strg
42	532155092	Boot Steering Shaft
43	532121749	Washer 25/32 X 1 1/4 X 16 Ga
44	532153720	Extension Steering Shaft LR/LT
46	532121232	Cap Spindle Fr Top Blk
47	532124836	Fitting Grease
51	873800500	Nut Lock Hex w/Ins 5/16-18
54	874780520	Bolt Fin Hex 5/16-18 Unc x 1-1/4
62	532156594	Kit, Steering Assembly Svc
63	874780616	Bolt Fin Hex 3/8-16unc x 1 Gr. 5
65	532154780	Spacer Axle
66	532154404	Bearing Arm Pittman
67	874781044	Bolt, Fin Hex 5/8-11 UNC x 2-3/4
68	532154429	Axle, Brace

NOTE: All component dimensions given in U.S. inches.
1 inch = 25.4 mm.

F

ENGINE



OPTIONAL EQUIPMENT
Spark Arrester

F

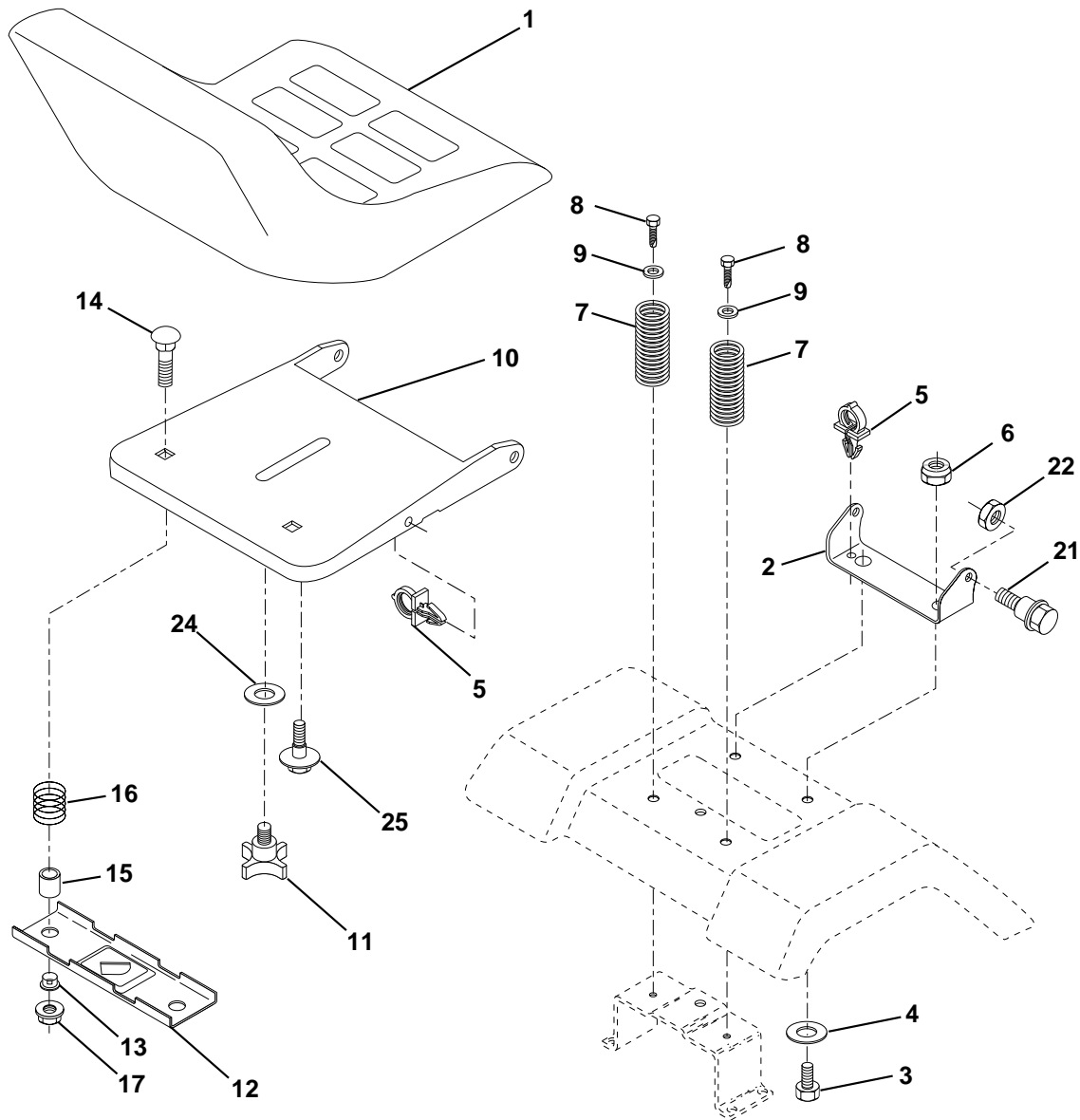
ENGINE

KEY NO.	PART NO.	DESCRIPTION
1	532141359	Control Th/ch 20 22 LH Flag
2	817720410	Screw Hex Thd Cut 1/4-20x5/8 T
3	-----	Engine B&S Model No. 28R707
4	532137348	Muffler LT B&S 12/12.5/13HP
13	532272293	Gasket Eng 1 313 Id Tin Plated
14	813280324	Nipple Pipe 3/8 Npt X 3"
15	813200300	Elbow Std 90 Degree 3/8-18 Npt
16	811050600	Washer Lock Ext Tooth 3/8
23	532159880	Shield Browning/Debris Guard
29	532137180	Kit Spark Arrestor (Flat Scrn)
31	532161911	Tank Fuel Front 2 00
32	532140527	Cap Asm Fuel W/sym Vented
33	532123487	Clamp Hose Black
35	817490512	Screw
37	532137040	Line Fuel 20"
38	-----	Plug Oil Drain (Order From Engine Manufacturer)
40	532124028	Bushing Snap Nyl Blk Fuel Line
44	817490412	Screw Hexwsh Thdrol 1/4-20x3/4
46	819091416	Washer 9/32 X 7/8 X 16 Ga
62	810040500	Washer Lock Hvy Hlcl Spr 5/16
66	532127951	Stop Throttle 3000 RPM
72	871070512	Screw Hexhd Cap 5/16-18x 3/4
78	817490620	Screw Thdrol 3/8-16x1-1/4 TYTT
81	532128861	Nut Flange 1/4-20 Starter Nut

NOTE: All component dimensions given in U.S. inches
1 inch = 25.4 mm

C

SEAT ASSEMBLY



KEY PART NO. NO.

DESCRIPTION

1	532140839	Seat
2	532140551	Bracket Pivot Seat 8 720
3	874760616	Bolt Fin Hex 3/8-16unc X 1
4	819131610	Washer 13/32 X 1 X 10 Ga
5	532145006	Clip Push-In
6	873800600	Nut Hex w/Ins. 3/8-16 Unc
7	532124181	Spring Seat Cprsn 2 250 Blk Zi
8	817490616	Screw Thdrol 3/8-16 X 1 Ty-tt
9	819131614	Washer 13/32 X 1 X 14 Ga.
10	532155925	Pan Seat
11	532120068	Knob Seat 1/2-13 UNC Blk
12	532121246	Bracket Mounting Switch

KEY PART NO. NO.

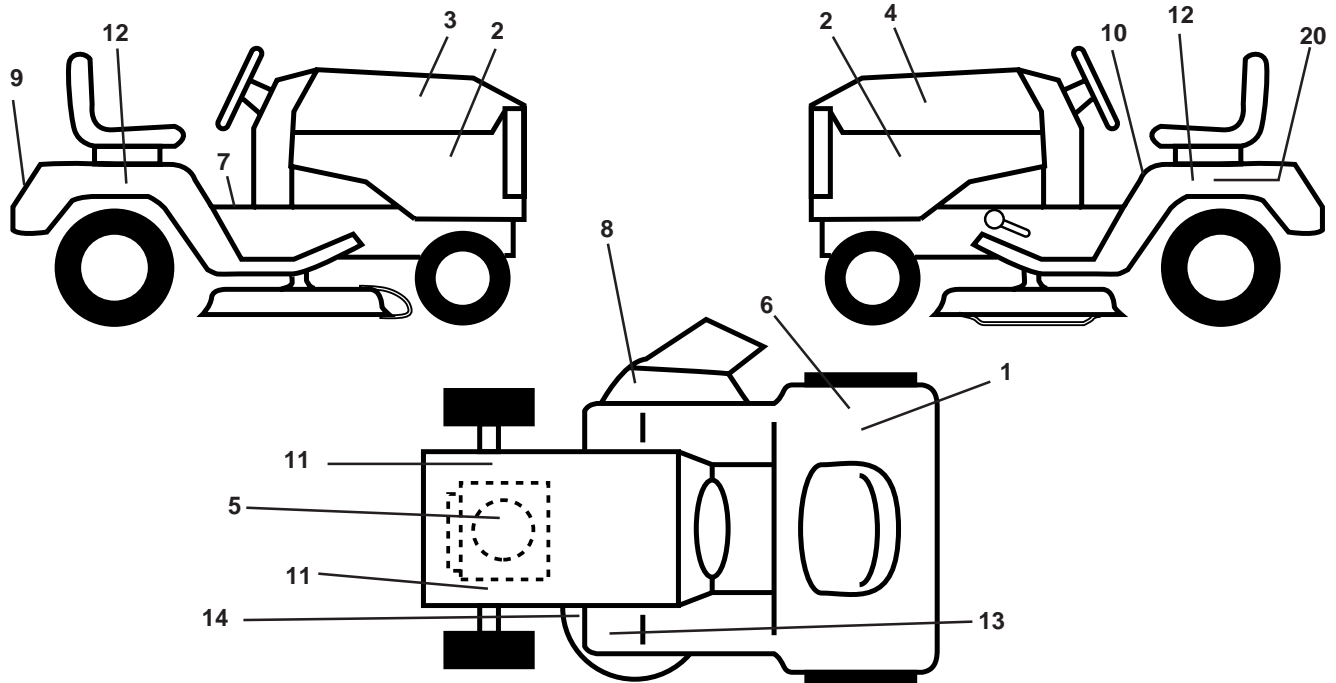
DESCRIPTION

13	532121248	Bushing Snap Blk Nyl 50 Id
14	872050412	Bolt Rdhd Sqnk 1/4-20x1-1/2
15	532134300	Spacer Split 28x 96 Yel Zinc
16	532121250	Spring Cprsn 1 27 Blk Pnt
17	532123976	Nut Lock 1/4 Lge Flg Gr 5 Zinc
21	532153236	Bolt Shoulder 5/16-18 Unc
22	873800500	Nut Hex Lock W/Ins 5/16-18
24	819171912	Washer 17/32 X 1-3/16 X 12 Ga.
25	532127018	Bolt Shoulder 5/16-18 X 62

NOTE: All component dimensions given in U.S. inches.
1 inch = 25.4 mm

R

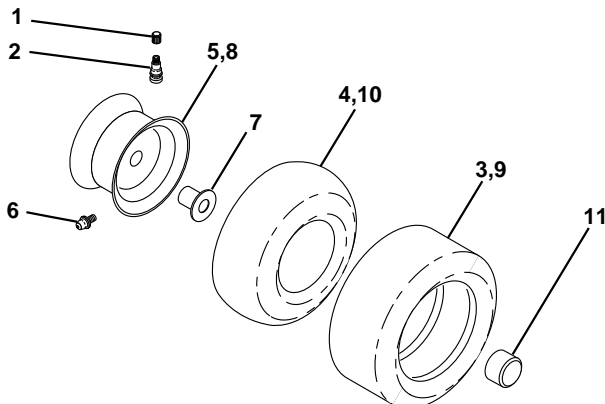
DECAL



KEY NO.	PART NO.	DESCRIPTION	KEY NO.	PART NO.	DESCRIPTION
1	532125690 *	Decal 100 DBA	--	532162598 *	Decal Drawbar Load Limit
2	532159713	Decal Panel Side B&S Logo	--	532142341 *	Decal Drawbar Cntrl Mvt Hyd LT
3	532151480	Decal Hood LH	--	532154515	Pad Footrest LH STL
4	532151478 *	Decal Hood RH	--	532154516	Pad Footrest RH STL
5	532273212 *	Decal HP Engine	--	532138311 *	Decal Handle Lft Height Adjust
6	532145437 *	Decal Euro Stand CE	--	532156717	Manual Operator's (Euro.)
7	532140837 *	Decal Saddle Brake	--	532156718	Manual Operator's (Scan.)
8	532145494 *	Decal Mower Cutting Symbol	Available accessories not included with tractor:		
9	532150617 *	Decal Fender Husq	--	LSB42	42" Snow Blade
10	532145498 *	Decal Read Owner's Manual Syms.	--	CE42	Grass Catcher
11	532159736 *	Decal Chassis Hot Muffler	--	LC05	Wheel Weights
12	532157007 *	Decal Fender Auto Husq	--	LBD48	48" Snow Blade
13	532159737 *	Decal Brake/Clutch Symbol LT	--	MK420	Mulch Kit w/Blades
14	532160396 *	Decal V-Belt Schematic	--	GWN42	Gauge Whjeels
20	532145005 *	Decal Bat Dan/Psn			

***NOTE:** * Not in stock, but can be delivered directly from factory.

WHEELS & TIRES

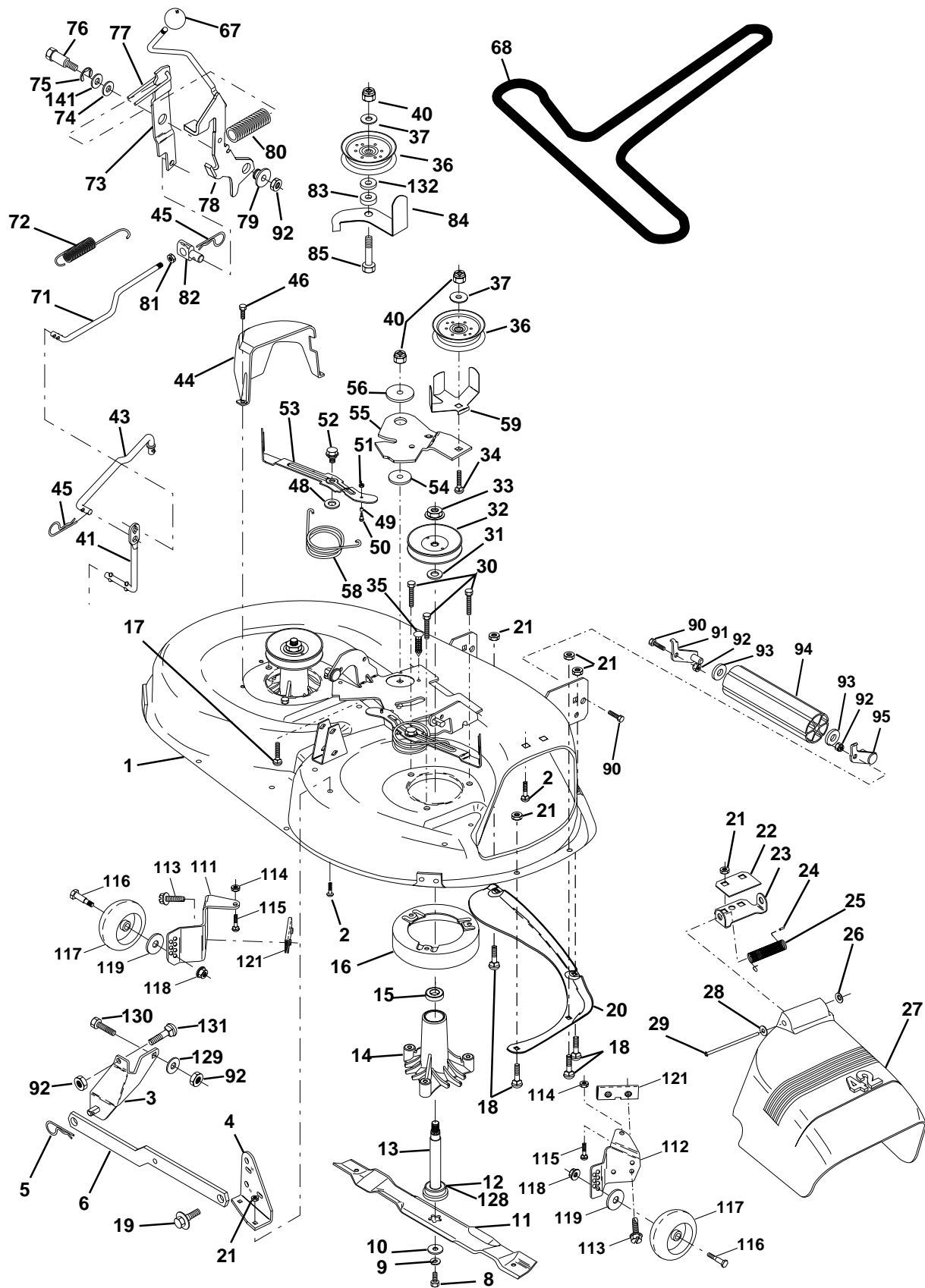


KEY NO.	PART NO.	DESCRIPTION
1	532059192	Cap Valve Tire
2	532065139	Stem Valve
3	532106222	Tire F Ts 15 X 6 0 - 6 Service
4	532059904	Tube Front (Service Item Only)
5	532138336	Rim Asm 6"front Silver Service
6	532124957	Fitting Grease (Front Wheel Only)
7	532124959	Bearing Flange (Front Wheel Only)
8	532138337	Rim Asm 8"rear Silver Service
9	532122082	Tire R Ts 20x10-8 C Service
10	532124926	Tube Rear (Service Item Only)
11	532104757	Cap Axle Blk 1 50 X 1 00

NOTE: All component dimensions given in U.S. inches
1 inch = 25.4 mm

M

MOWER DECK



M

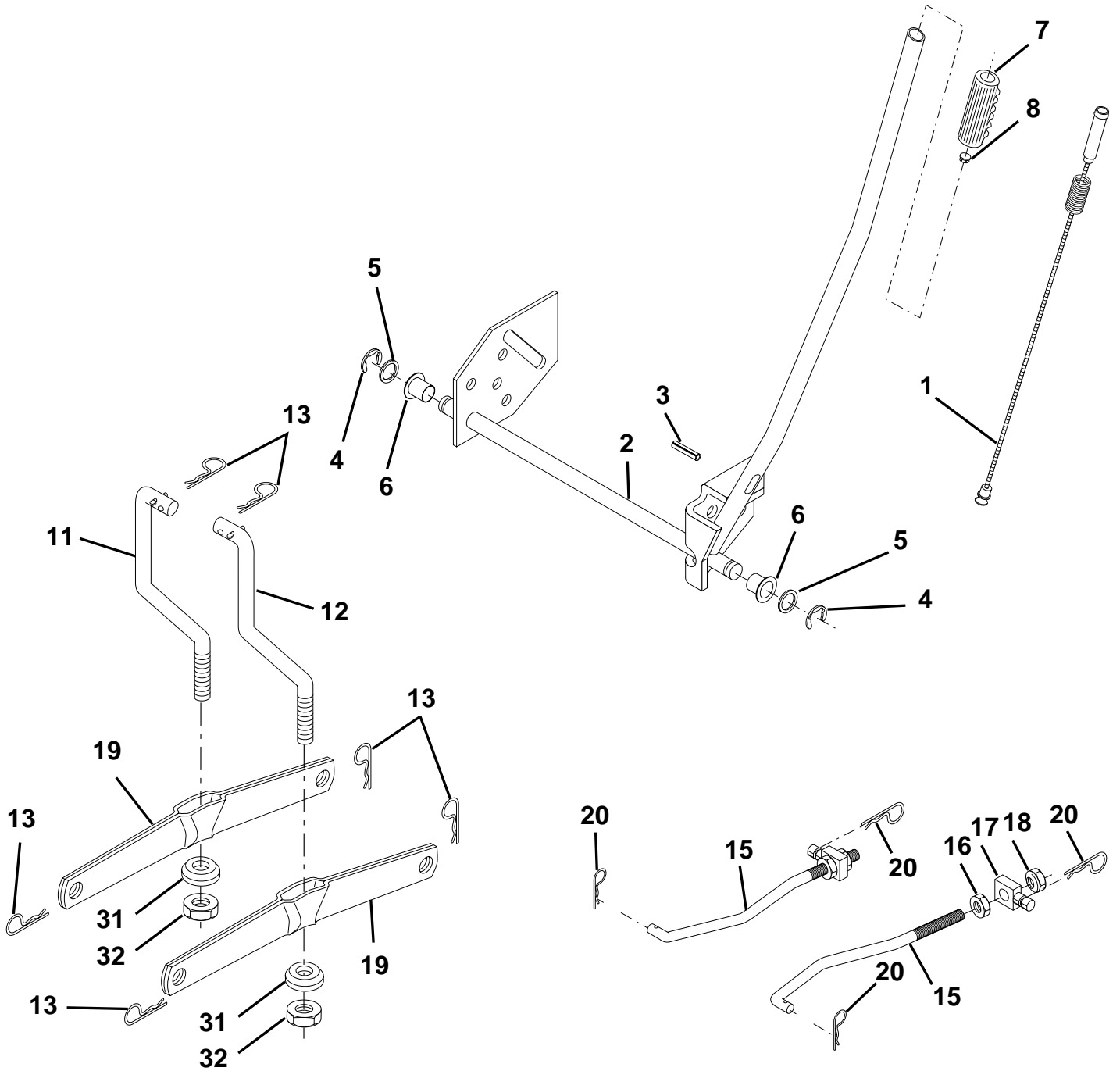
MOWER DECK

KEY NO.	PART NO.	DESCRIPTION	KEY NO.	PART NO.	DESCRIPTION
1	532144393	Deck Asm MWR 42"weldment	58	532140086	Spring Torsion Brakes
2	872140506	Bolt Rdhd Sqnk 5/16-18unc X3/4	59	532141043	Guard TUV Idler
3	532138017	Bracket Asm Fr Sway Bar 38/42	67	532162132	Knob Rd 7/16-14 Plstc Thds Blk
4	532138440	Bracket Asm Deck 42"sway Bar	68	531005086	V-Belt Mower 42"
5	532124670	Retainer Spring	71	532142427	Rod Clutch Primary 38/42
6	532130832	Arm Suspension Rear	72	532131870	Spring Return
8	532850857	Bolt 3/8 - 24 X 1.25 Gr 8	73	532127847	Arm Clutch Secondary
9	810030600	Washer Lock Hvy 3/8	74	532121748	Washer 25/32 X 1-5/8 X 16 Ga
10	532140296	Washer Hard Blade Mower Vented	75	812000029	Ring Klip #t5304-75
11	531005085	Blade Mower 42"	76	532128903	Bolt Shoulder 3/8-16 Unc 1 44
12	532129895	Bearing Ball #6024 (Mandrel)	77	532127845	Keeper Spring 4 000
13	532137645	Shaft Asm W/lower Bearing	78	532160570	Arm Asm Clutch Primary
14	532128774	Housing Mandrel Vented	79	532127498	Bushing 747 Od X 794 Lg Brass
15	532110485	Bearing Ball Mandrel	80	532153701	Spring Clutch Mower
16	532140329	Stripper Mower Vented	81	873350600	Nut Hex Jam 3/8-16
17	872110610	Bolt Rdhd Sqnk 3/8-16 X 1-1/4	82	532142028	Trunnion Adj 94
18	872140505	Bolt Rdhd Sqnk 5/16-18 X 5/8	83	532120958	Washer Sintered
19	532132827	Bolt Shoulder	84	532156084	Keeper Belt Idler
20	532159770	Baffle Vortex 42	85	872140618	Bolt Carriage 3/8-16 x 2-1/4 Gr.5
21	873680500	Nut Crownlock 5/16-18 UNC	90	874760616	Bolt Fin Hex 3/8-16 UNC x 1
22	532134753	Stiffener Bracket 42"deck	91	532132274	Bracket Asm Noseroller LH
23	532131267	Bracket Deflector Mower 42"	92	873800600	Nut Lock Hex W/Ins 3/8-16 Unc
24	532105304	Cap Sleeve 80x 112 Blk Mower	93	819171416	Washer 17/32 x 7/8 x 16 Ga.
25	532123713	Spring Torsion Deflector 2 52	94	532132264	Roller Nose 38 & 42
26	532110452	Nut Push Phos & Oil	95	532132273	Bracket Asm Noseroller RH
27	532130968	Shield Deflector Mower 42" Blk	111	532155197	Bracket Wheel Gauge LH 42" Deck
28	819111016	Washer 11/32 X 5/8 X 16 Ga	112	532155198	Bracket Gauge Wheel RH 42" Deck
29	532131491	Rod Hinge 42"6 75 Wlg	113	817490512	Screw Thdrol 5/16-18 X 3/4
30	532157722	Screw Thd Rolling Washer Head	114	873510500	Nut Keps 5/16-18 UNC
31	532129963	Washer Spacer Mower Vented	115	872110504	Bolt Carriage 5/16-UNC x 1/2
32	532153535	Pulley Mandrel 42"	116	532137644	Bolt Shoulder
33	532137266	Nut 9/16 Toplock Flng Oil Dip	117	532133957	Wheel Gauge Donut
34	872110614	Bolt Rdhd 3/8-16uncx1-3/4 Gr5	118	873930600	Nut Centerlock 3/8-16 UNC
35	532133835	Fastner Christmas Tree	119	819121414	Washer 3/8 x 7/8 x 14 Ga.
36	532131494	Pulley Idler Flat 3 060	121	532143723	Bracket Extruded Guage Wheel
37	819131316	Washer 13/32 X 13/16 X 16	128	532153390	Washer Felt
40	873680600	Nut Crownlock 3/8-16 UNC	129	819131312	Washer 13/32 x 13/16 x 12 Ga.
41	532133551	Rod Pivot W/nibs	130	874780616	Bolt Fin Hex 3/8-16 UNC x 1 Gr. 5
43	532140083	Rod Clutch Secondary W/nibs	131	872140608	Bolt Rdhd Sqnk 3/8-16 x 1
44	532140088	Guard Mandrel LH Black	132	819132203	Spacer Washer 13/32 I.D. x 1-3/8 O.D. x 1/4
45	532124788	Spring Retainer 1" Zinc/cad	141	954170006	Washer Thrust
46	532137729	Screw Hex Thd Cut 1/4-20x5/8 T	--	532130794	Mandrel Asm Service (Includes Key Nos. 8-10, 12-15, 31 and 33)
48	532133944	Washer Hardened Smaller	--	532144783	Deck Serv 42"mch S Bar Multi-Lang (Standard Deck - Order noseroller and gauge wheel components separately Key Nos. 90-95 and 111-120)
49	532155066	Roller Asm Cam Follower 42"dec			
50	532131340	Bolt Shldr 10-24 Zinc Gr 5 42"			
51	532069180	Nut Lock #10-24 Unc			
52	532139888	Bolt Shoulder 5/16-18 Unc Blkz			
53	532157388	Arm Asm Pad Brake			
54	532133943	Washer Hardened			
55	532155046	Arm Idler 42"mower LT/YT			
56	532122052	Spacer Retainer Pm Mower			

NOTE: All component dimensions given in U.S. inches
1 inch = 25.4 mm



MOWER LIFT



O

HOWER LIFT

KEY NO.	PART NO.	DESCRIPTION
1	532159460	Wire Asm Inner Sprg w/Plunger LT
2	532159471	Shaft Asm Lift
3	532105767	Pin Groove
4	812000002	E Ring #5133-62
5	819211621	Washer PLTD 21/32 X 1 X 21ga
6	532120183	Bearing Nylon Blk 629 Id
7	532125631	Grip Handle Fluted
8	532124526	Button Plunger Black
11	532139865	Link Lift LH
12	532139866	Link Lift RH
13	532124670	Retainer Spring
15	532127218	Link Front
16	873350800	Nut Jam Hex 1/2-13 Unc
17	532130171	Trunnion Blk Zinc
18	873800800	Nut Lock W/wsh 1/2-13unc
19	532139868	Arm Suspension Rear
20	532124660	Spring, Retainer
31	532140302	Bearing Pvt. Lift Spherical
32	873540600	Nut Crownlock 3/8-24

NOTE: All component dimensions given in U.S. inches
1 inch = 25.4 mm