

YTH 160



1.1998

Spare parts

Ersatzteile

Pièces détachées

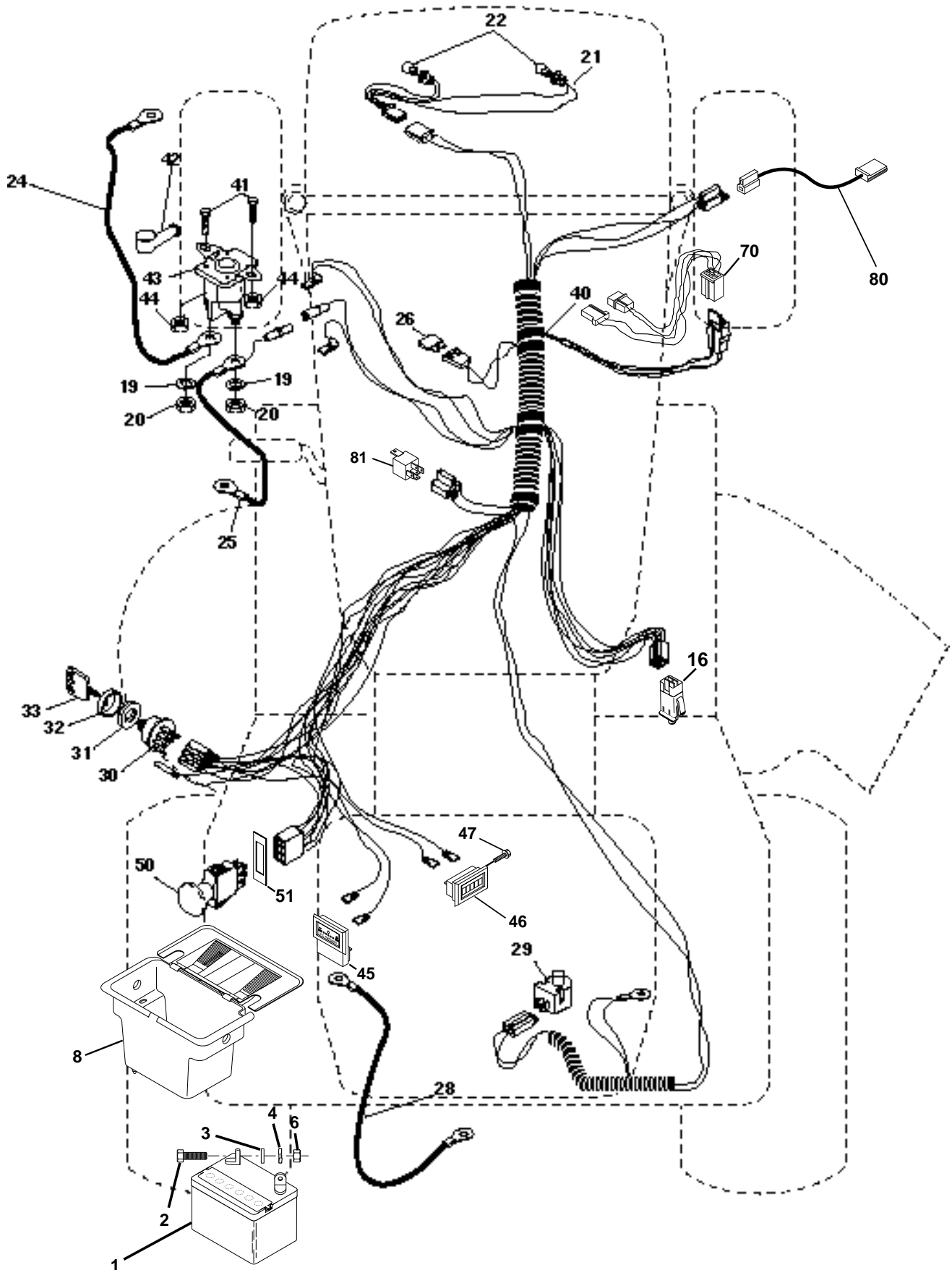
Reserve onderdelen

Repuestos

Reservdelar

P

ELECTRICAL



P

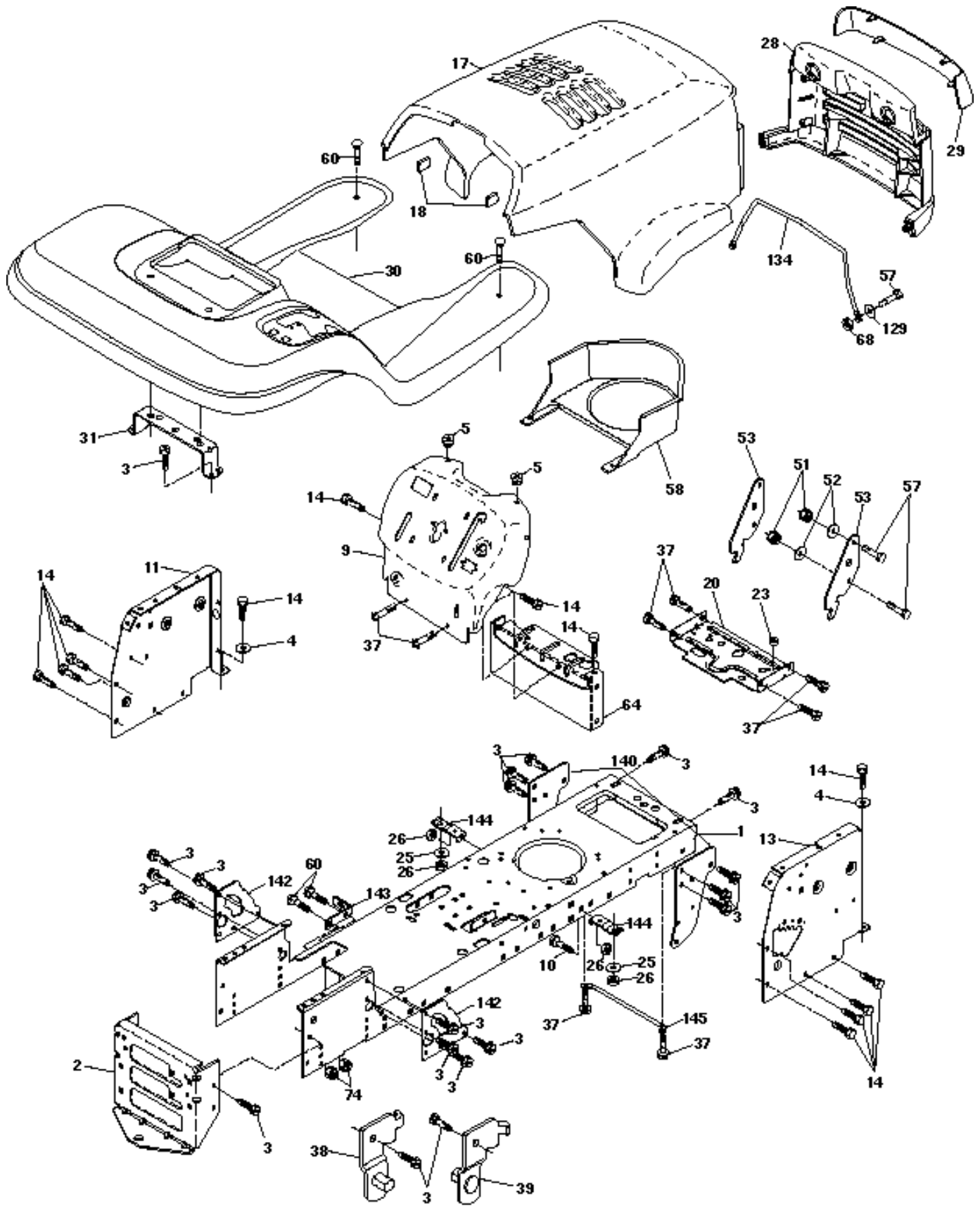
ELECTRICAL

KEY NO.	PART NO.	DESCRIPTION
1	532144925	Battery 12 VOLT 25 AMP
2	874760412	Bolt Hex Hd 1/4-20unc X 3/4
3	819091016	Washer 9/32 X 5/8 X 16 Ga
4	810040400	Washer Lock Hvy Helical 1/4
6	873220400	Nut Fin Hex 1/4-20 Unc
8	532156417	Case Battery Mech. Hinge
16	532153664	Switch Interlock Push-In
19	810090400	Washer Lock 1/4
20	873350400	Nut Jam Hex 1/4-20 Unc
21	532136850	Harness Asm Light W/4152J
22	532004152	Bulb Light #1156
24	532124780	Cable Battery 6 Ga 11"red
25	532146147	Cable Battery 6 Ga W/16 Ga Wire 44"
26	532108824	Fuse 30 AMP Auto Green
28	532124773	Cable Ground 6 Ga 12"black
29	532160784	Switch Plunger Normal Op Olive
30	532140301	Switch Ignition 4 Pos
31	532124211	Nut Ignition
32	532141226	Cover Sw Key Blk 1 25 Text SLT
33	532122147	Key Ign Molded Generic
40	532160719	Harness Ign.
41	871110408	Bolt Hex Hd. Fin 1/4-20 x 1/2 Gr. 5
42	532131563	Cover Terminal Red
43	532145673	Solenoid
44	873640400	Nut Keps Hex 1/4-20 Unc
45	532121433	Rectangular 6amp Ammeter
46	532110940	Meter, Hour
47	817011008	Screw 10-24 x 1/2 Black
50	532154959	Switch PTO 3 PDT Black
51	532140405	Ring Retainer PTO
70	532140422	Harness Engine 14 OHV Dual
80	532146685	Harness Clutch Evx
81	532109748	Relay Asm.

NOTE: All component dimensions given in U.S. inches
1 inch = 25.4 mm.

A

ENCLOSURES



A

ENCLOSURES

KEY NO.	PART NO.	DESCRIPTION
1	532159527	Chassis Weldment
2	532140356	Drawbar, Stretch
3	817490612	Screw Thdrol 3/8-16x3/4 Ty-tt
4	819131216	Washer 13/32 x 3/4 x 16 Ga.
5	532155272	Bumper Hood/Dash
9	532156490	Dash P/L
10	872140608	Bolt Carriage 3/8-16 x 1
11	532155927	Panel Dash Lh
13	532153913	Panel Dash Rh
14	817490608	Screw Thdrol 3/8-16x1/2 Ty-tt
17	532156051	Hood LT/PL Husqvarna
18	532126938	Bumper Hood
20	532156437	Plate Mtg Battery Fuel Tank Fr
23	532124028	Bushing
25	819131312	Washer 13/32 X 13/16 X 12 Ga
26	873800600	Nut Lock Hex W/Ins 3/8-16 Unc
28	532149776	Grille LT/PL Husqvarna
29	532149777	Lens LT/PL Husqvarna
30	532156489	Fender Footrest STLT Pnt
31	532139976	Bracket Support Fender
37	817490508	Screw Thdrol 6/16-18 x 1/2 TYT
38	532139886	Bracket, Asm. Pivot, L.H., Mower Rear
39	532139887	Bracket, Asm. Pivot, R.H., Mower Rear
51	873800400	Nut Lock Hex W/Ins 1/4-20
52	819091416	Washer 9/32 x 7/8 x 16 Ga.
53	532150067	Bracket Pnt. Pick off LT/PL Husqvarna
57	874780412	Bolt Hex 1/4-20 x 3/4
58	532150127	Air Duct Engine P/L
60	872140606	Bolt Rdhd Sqnk 3/8-16unc x 3/4
64	532154798	Dash Lower STLT
68	873510400	Nut Keps Hex 1/4-20 UNC
74	873680600	Nut Crownlock 3/8-16 UNC
129	819091016	Washer 9/32 x 5/8 x 16 Ga.
134	532160219	Rod Support Hood PL Husq.
140	532158418	Bracket Suspension Front
142	532156095	Plate Reinforcement STLT
143	532154966	Bracket Swaybar Chassis
144	532154207	Bracket Pnt Footrest STLT
145	532156524	Rod Pivot Chassis/Hood

NOTE: All component dimensions given in U. S. inches
1 inch = 25.4 mm

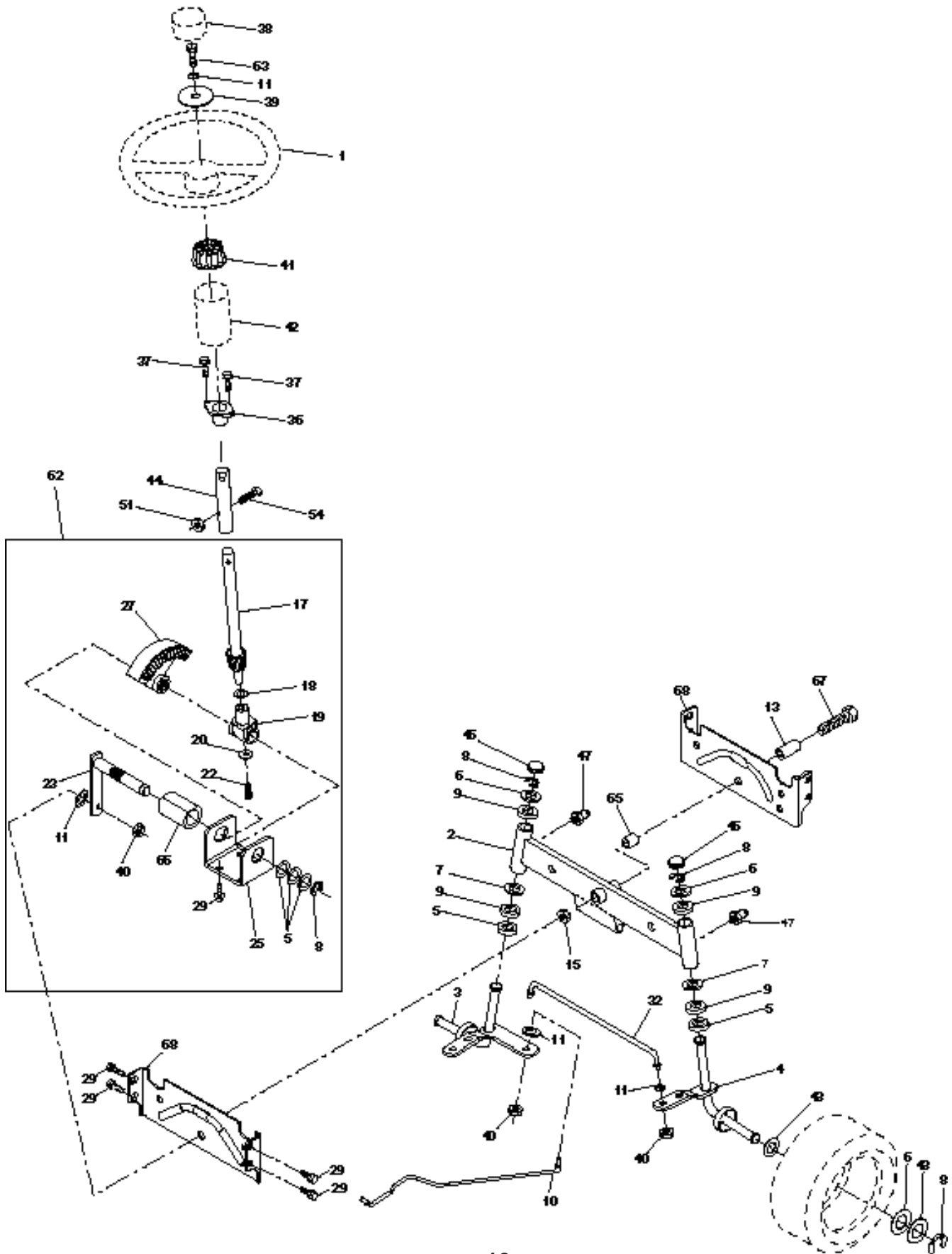
L DRIVE

KEY NO.	PART NO.	DESCRIPTION	KEY NO.	PART NO.	DESCRIPTION
1	532150071	Transaxle (See Breakdown) Hydro Gear 310-0650	59	532140312	Keeper, Center Span
2	532142431	Spring, Return, Brake	61	817490612	Screw Thdrol. 3/8-16 x 3/4 TYTT
3	532143995	Pulley, Transaxle	62	532123533	Cover, Pedal
8	532154792	Rod Shift Fender	63	532145868	Pulley, Engine
9	532145028	Clutch Electric	65	810040700	Washer
10	876020416	Pin Cotter 1/8 x 1 CAD	66	532154778	Keeper Belt Engine F-Proof
16	873800500	Nut Lock Hex W/Ins. 5/16-18 Unc	73	532156347	Strap Torque Rh Hydro
18	874780616	Bolt Fin Hex 3/8-16 Unc x 1 Gr.5	71	532140158	Strap Torque Lh Hydro 18/20" T
19	873800600	Nut Lock Hex W/Wsh 3/8-16 Unc	74	532121199	Spacer, Split
20	532150280	Bolt, Hex 7/16-20 x 4-1/4	75	532121749	Washer 25/32 x 1-1/4 x 16 Ga.
21	532121274	Knob Duckhead	76	812000001	E-Ring
22	532145627	Rod, Brake Hydro	77	532123583	Key, Square
23	532154978	Bracket Asm Mtg CL Evx	78	532121748	Washer 25/32 x 1-5/8 x 16 Ga.
24	873350600	Locknut	81	532156046	Shaft Asm. Cross Hydro 6 50
25	532106888	Spring, Brake Rod	82	532123782	Spring Torsion T/A
26	819131316	Washer	83	819171216	Washer 17/32 x 3/4 x 16 Ga.
27	876020412	Pin Cotter 1/8 x 3/4 CAD.	84	532161901	Rod, Tie Hydro 20" Tires
28	532145204	Rod, Parking Brake	86	532071208	Bushing Rod Strig. 629/632 ID
29	532071673	Cap, Parking Brake	87	819212016	Washer 21/32 x 1-1/4 x 16 Ga.
30	532130807	Bracket, Transaxle	88	812000008	Ring Klip #5304-62
32	874760512	Bolt Hex Hd 5/16-18 Unc x 3/4	89	532158388	Console, Shift
33	872140506	Bolt Carriage 5/16-18 UNC x 3/4	90	532124346	Nut, Self Thd Wsh Hd 1/4 Zinc
34	532155071	Shaft, Foot Pedal	93	532142564	Line Fuel Hydro 4"
35	532120183	Bearing, Nylon	94	532140462	Fan, Hydro 7"
36	819211616	Washer	95	532144643	Control Asm. Bypass Hydro
37	532124963	Pin, Roll	96	532124788	Retainer Spring 1" Zinc/Cad
38	532123674	Pulley, Idler, Flat	97	532140469	Keeper Belt Rh Hydro 0750.18/20"
39	874760644	Bolt	98	873510600	Nut Keps Hex 3/8-16 Unc
40	532124965	Spacer Split	100	819111216	Washer 11/32 x 3/4 x 16 Ga.
41	532154777	Keeper, Belt Idler Fool-Proof	102	532141322	Washer Belleville .501D x 1.50D
42	819131312	Washer 13/32 x 13/16 x 12 Gauge	103	873940800	Nut Hex Jam Toplock 1/2-20 Unf
43	819111012	Washer 11/32 x 5/8 x 12 Gauge	104	532140156	Arm, Control Hydro
47	532127783	Pulley, Idler, V-Groove	105	871070516	Screw Cap Hex 5/16 x 18 x 1
48	532154604	Bellcrank Assembly Clutch	106	874780520	Bolt Fin Hex 5/16-18 Unc x 1-1/4
49	532123205	Retainer, Belt	118	532154774	Spacer Bellcrank
50	874760624	Bolt	121	532154419	Nyliner Clutching STL
51	873680600	Nut	144	819111016	Washer 11/32 x 5/8 x 16 Ga.
52	873680500	Nut Crown Lock 5/16-18	145	874490540	Bolt Hex Flghd 5/16-18 x Gr. 5
53	532105710	Link, Clutch	146	874490536	Bolt Hex Flghd 5/16-18 x 2-1/4
55	532105709	Spring, Return, Clutch	147	874499052	Bolt Hex Flghd 5/16-18 x 1-1/2
56	874760620	Bolt			
57	531006042	V-Belt, Ground Drive			

NOTE: All component dimensions give in U.S. inches.
1 inch = 25.4 mm.

H

STEERING ASSEMBLY



H

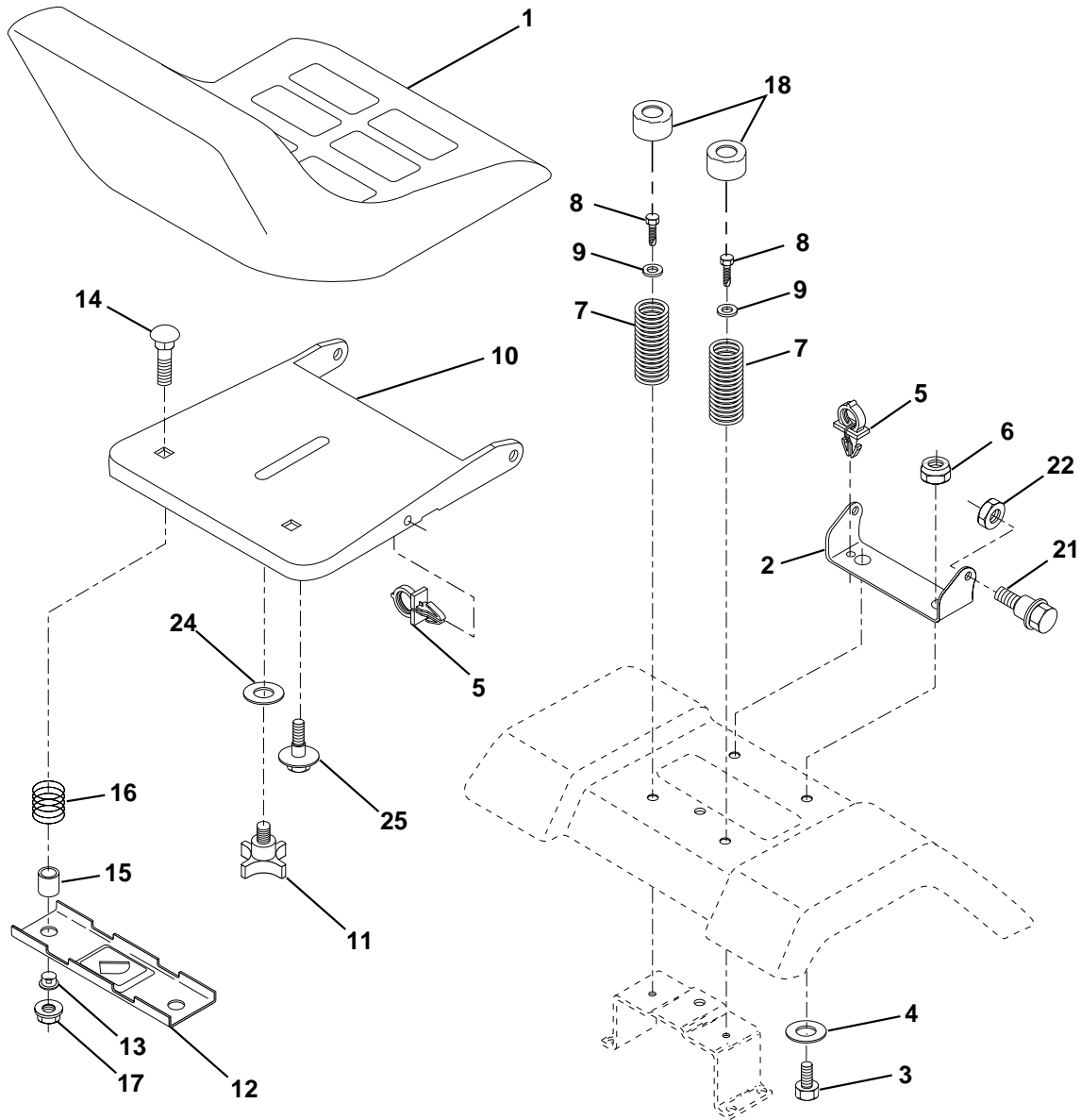
STEERING ASSEMBLY

KEY NO.	PART NO.	DESCRIPTION
1	532124415	Wheel Steering
2	532137094	Axle Front Casting Machined
3	532157479	Spindle Asm Cast LH
4	532157478	Spindle Asm Cast RH
5	532124931	Bearing Race Thrust Harden
6	532121748	Washer 25/32 X 1-5/8 X 16 Ga
7	819272016	Washer 27/32 X 1-1/4 X 16 Ga
8	812000029	Ring Klip #t5304-75
9	532124937	Bearing Col Strg Blk
10	532154432	Link Drag Extended Cast
11	810040600	Washer Lock Hvy Hlcl Spr 3/8
13	532154779	Bearing Axle STLT
15	873901000	Nut Lock Flange 5/8-11 Unc
17	532156546	Shaft Asm Strg Private Label
18	532057079	Washer Thrust 515x 750x 033
19	532124035	Support Shaft
20	532126684	Washer Shim 1/4 X 5/8 X 062
22	871200410	Screw Hex Socket 1/4-20 x 5/8
23	532127501	Shaft Asm Pittman
25	532154406	Bracket Steering
27	532136874	Gear Sector 22 Teeth
29	817490612	Screw Thdrol 3/8-16x3/4 Ty-tt
32	532137347	Rod Tie
36	532155099	Bushing Strg
37	532152927	Screw TT #32.5 x 5 x 3/8 Flange
38	532124416	Cap Wheel Steer
39	819133808	Washer 13/32 x 2-3/8 x 8 Ga.
40	532124701	Nut Lock Center 3/8-24 Unf
41	532100711	Adaptor Wheel Strg
42	532155092	Boot Dash Steering
43	532121749	Washer 25/32 X 1 1/4 X 16 Ga
44	532153720	Extension Steering Non-adjust
46	532121232	Cap Spindle Fr Top Blk
47	532124836	Fitting Grease
51	873800500	Nut Lock Hex W/Ins 5/16-18 UNC
54	874780520	Bolt Fin Hex 5/16-18 UNC x 1-1/4
62	532156594	Steering Assembly
63	874780616	Bolt Fin Hex 3/8-16 UNC x 1 Gr. 5
65	532154780	Spacer
66	532154404	Bearing Arm Pittman
67	874781044	Bolt Fin Hex 5/8-11 UNC x 2-3/4
68	532154429	Brace, Axle

NOTE: All component dimensions given in U.S. inches
1 inch = 25.4 mm.

C

SEAT ASSEMBLY



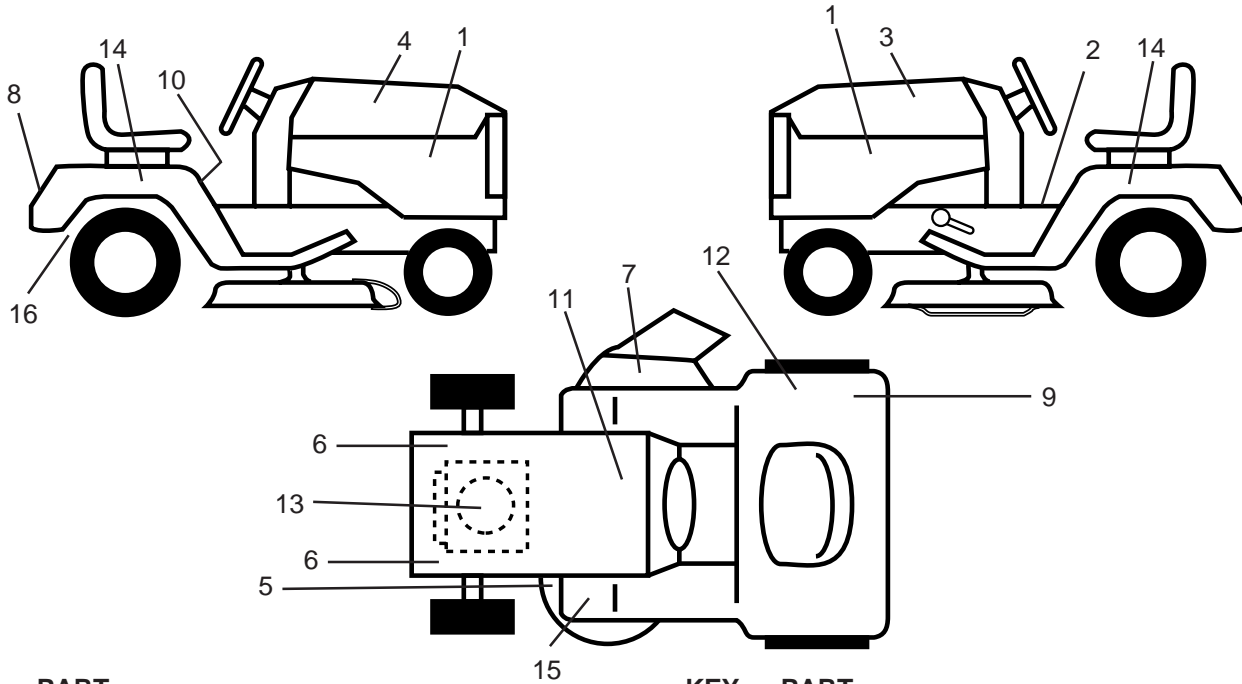
KEY NO.	PART NO.	DESCRIPTION
1	532141525	Seat
2	532140551	Bracket Pivot Seat 8 720
3	874760616	Bolt Hex 3/8-16unc x 1
4	819131610	Washer 13/32 X 1 X 10 Ga
5	532145006	Clip Push-In Hinged
6	873800600	Nut Lock Hex w/Ins. 3/8-16 Unc
7	532124181	Spring Seat Cprsn 2 250 Blk Zi
8	817490616	Screw Thdrol 3/8-16 X 1 Ty-tt
9	819131614	Washer 13/32 X 1 X 14 Ga
10	532155925	Pan Seat
11	532120068	Knob Seat 1/2-13 UNC
12	532121246	Bracket Mounting Switch

KEY NO.	PART NO.	DESCRIPTION
13	532121248	Bushing Snap Blk Nyl 50 Id
14	872050412	Bolt Rdhd Sht Nk 1/4-20x1-1/2
15	532121249	Spacer Split 28x 88 Zinc
16	532123740	Spring Cprsn 1 310 Blk Pnt
17	532123976	Nut Lock 1/4 Lge Flg Gr 5 Zinc
18	532124238	Cap Spring Seat
21	532153236	Bolt Shoulder 5/16-18 Unc-2A
22	873680500	Nut Crown Lock 5/16-18
24	819171912	Washer 17/32 X 1-3/16 X 12 Ga
25	532127018	Bolt Shoulder 5/16-18 X 62

NOTE: All component dimensions given in U.S. inches
1 inch = 25.4 mm.

R

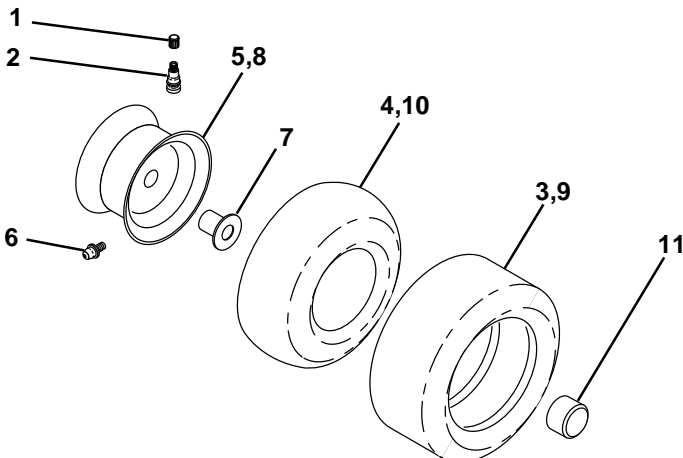
DECALS



KEY NO.	PART NO.	DESCRIPTION	KEY NO.	PART NO.	DESCRIPTION
1	532159713*	Decal, Pnl Side B&S	16	532162598*	Decal Drawbar Load Limit
2	532140837*	Decal, Brake Parking Sandle	--	532142341*	Decal, Drawbar CNTRL MVT HYD LT
3	532151333	Decal, Hood, L. H.	--	532138311*	Decal, Handle Lift Height Adjust. (Lift Handle)
4	532151330	Decal, Hood, R.H.	--	532154515	Pad, Footrest LH
5	532160396*	Decal, V-Belt Sch.	--	532154516	Pad, Footrest RH
6	532159736*	Decal, Chassis Hot Muffler	--	532156859*	Manual, Operator's (Euro)
7	532145494*	Decal, Mower Cuttingfinger Symbol	--	532156860*	Manual, Operators, (Scan)
8	532150617*	Decal, Logo, Fender	Available accessories not included with tractor:		
9	532125690*	Decal, 100 DBA	--	CE42	42" Bagger
10	532145498*	Decal, Read Owners Manual	--	GWN42	Gauge Wheels
11	532145005*	Decal, Bat Dan/Poi P/L Sym	--	LBD48	42" Snow Blade
12	532145437*	Decal, Europe Stand. CE Syms	--	LSB42	40" Snow Thrower
13	532273210*	Decal Engine	--	LC05	33lb. Wheel Wts. (Pair)
14	532157007*	Decal, Fender Automatic Jonsered	--	MK420	Kit Mulcher W/Blades
15	532159737*	Decal, Brake/Clutch Symbol			

*Note: Not in stock, but can be delivered dirctly from factory.

WHEELS & TIRES

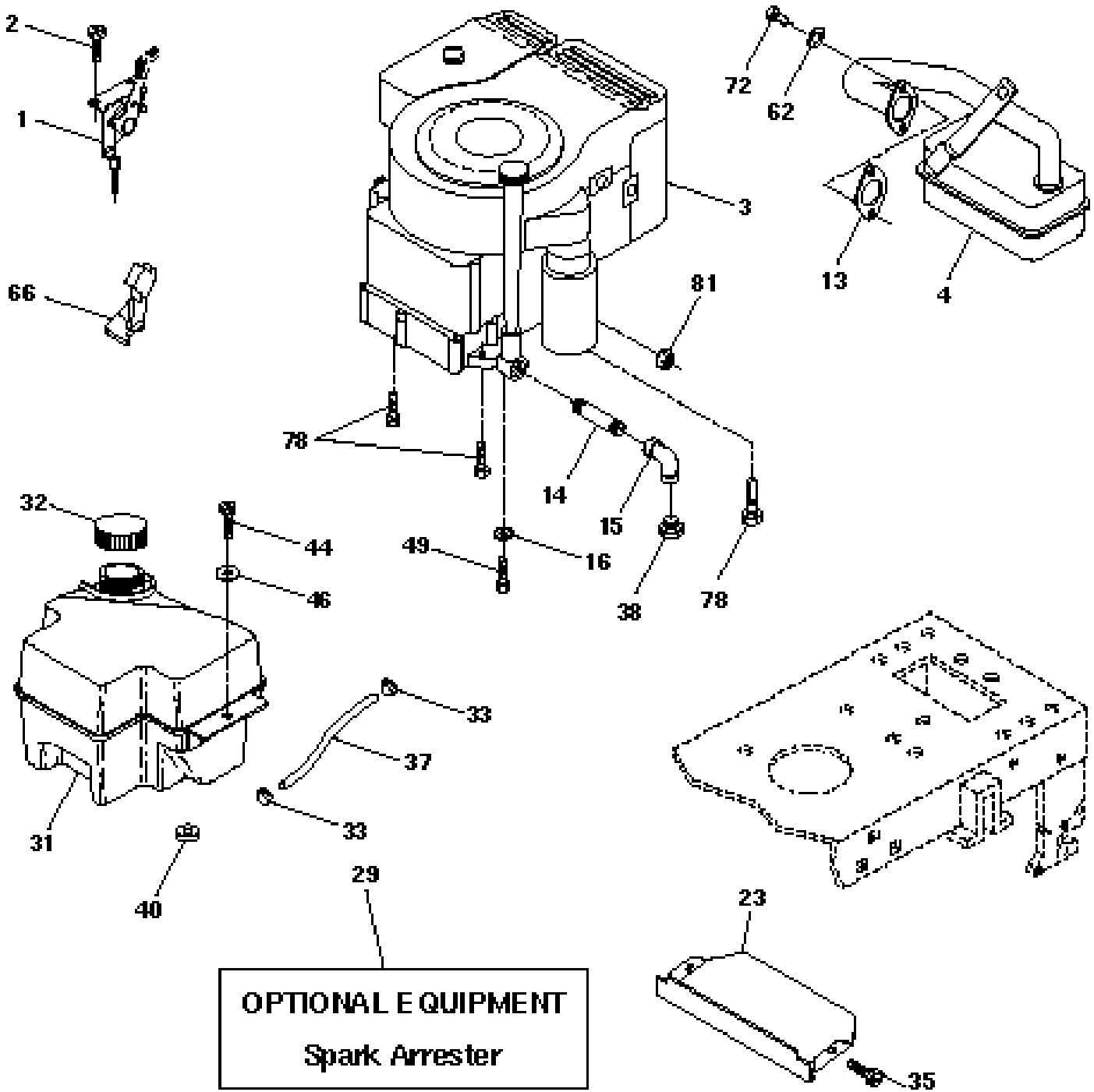


KEY NO.	PART NO.	DESCRIPTION
1	532059192	Cap Valve Tire
2	532065139	Stem Valve
3	532106222	Tire F Ts 15 X 6 0 - 6 Service
4	532059904	Tube Front (Service Item Only)
5	532138336	Rim Asm 6"front Silver Service
6	532124957	Fitting Grease (Front Wheel Only)
7	532124959	Bearing Flange (Front Wheel Only)
8	532138337	Rim Asm 8"rear Silver Service
9	532122082	Tire R Ts 20x10-8 C Service
10	532124926	Tube Rear (Service Item Only)
11	532104757	Cap Axle Blk 1 50 X 1 00

NOTE: All component dimensions given in U.S. inches
1 inch = 25.4 mm

F

ENGINE



F

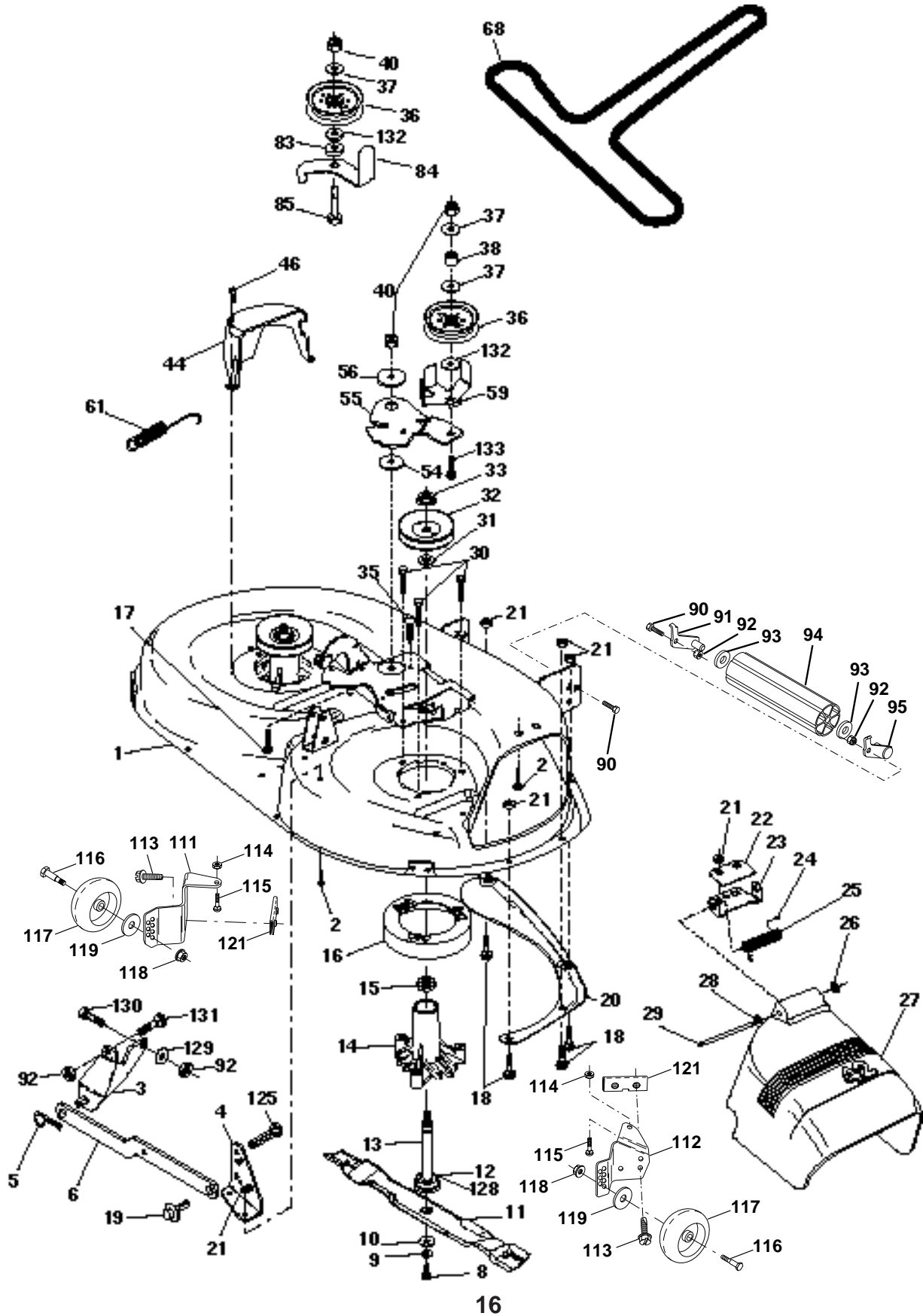
ENGINE

KEY NO.	PART NO.	DESCRIPTION
1	532141359	Control Th/ch LH Blk
2	817720410	Screw Hex Thd Cut 1/4-20x5/8 T
3	-----	Engine Briggs
4	532137352	Muffler LT B&S 14HP Ic/ohv
13	532272293	Gasket Eng 1 313 Id Tin Plated
14	813280324	Nipple Pipe 3/8 Npt X 3"
15	813200300	Elbow Std 90 Degree 3/8-18 Npt
16	811050600	Washer Lock Ext Tooth 3/8
23	532159880	Shield Browning/Debris Guard
29	532137180	Kit Spark Arrestor
31	532140280	Tank Fuel Front 2 00
32	532140527	Cap Asm Fuel Top Vented N/Lang
33	532123487	Clamp Hose Black
35	817490512	Screw Thdrol 5/16-18 x 3/4
37	532137040	Line Fuel 20" Front Fuel Tank
38	-----	Plug Oil Drain (Order From Engine Manufacturer)
40	532124028	Bushing Snap Nyl Blk Fuel Line
44	817490412	Screw Hex Wash Thdrol 1/4-20 x 3/4
46	819091416	Washer 9/32 x 7/8 x 16 Ga.
49	817490616	Screw Thdrol. 3/8-16 x 1 TY-TT
62	810040500	Washer Lock Hvy Hlcl Spr 5/16
66	532127951	Stop Throttle
72	871070512	Screw Hexhd Cap 5/16-18x3/4
78	817490620	Screw Thdrol 3/8-16x1-1/4 TYTT
81	532128861	Nut Flange 1/4-20 Starter Nut

NOTE: All component dimensions given in U.S. inches
1 inch = 25.4 mm

M

MOWER DECK



M

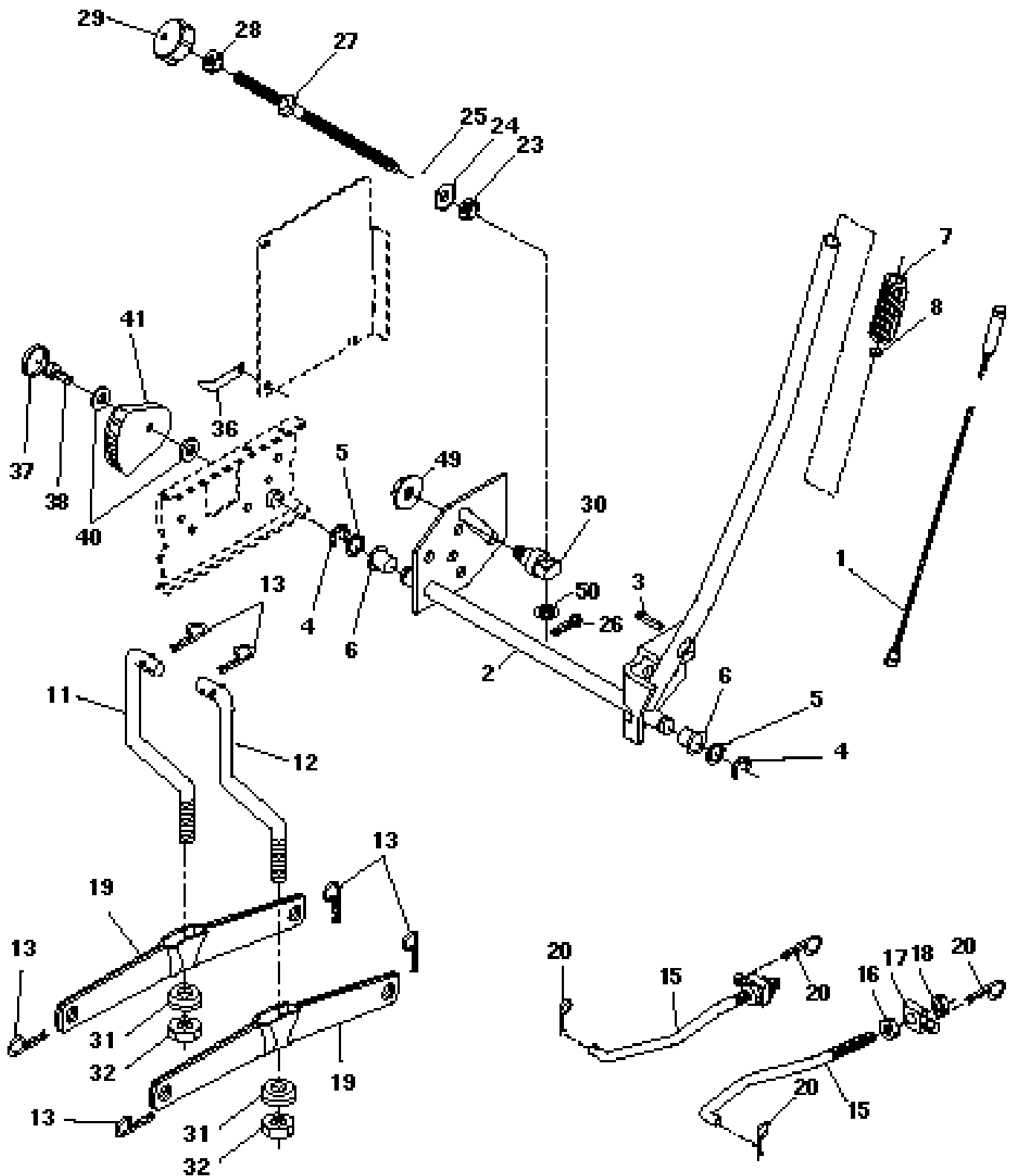
MOWER DECK

KEY NO.	PART NO.	DESCRIPTION	KEY NO.	PART NO.	DESCRIPTION
1	532144393	Housing Asm Mower 42"94 T-Path	46	532137729	Screw Thdrol 1/4-20x5/8
2	872140506	Bolt Rdhd Sqnk 5/16-18unc X3/4	54	532133943	Washer Hardened
3	532138017	Bracket Asm Fr Sway Bar 38/42	55	532140084	Arm Idler 42"mower LT/YT
4	532138440	Bracket Asm Deck 42"sway Bar	56	532122052	Spacer Retainer Pm Mower
5	532124670	Retainer Spring	59	532141043	Guard, Belt
6	532130832	Arm Suspension Rear	61	532131950	Spring Ext. Elect
8	532850857	Bolt 3/8-24x1 25 Gr8 Patched	68	531005086	V-Belt Mower
9	810030600	Washer Lock Hvy 3/8 Unplated	83	532120958	Washer Sintered
10	532140296	Washer Hard Blade Mower Vented	84	532156084	Keeper Belt Idler
11	531005085	Blade Mower High Lift"	85	872140618	Bolt Carriage 3/8-16 x 2-1/4
12	532129895	Bearing Ball #6204 (Mandrel)	90	874760616	Bolt Fin Hex 3/8-16unc X 1
13	532137645	Shaft Asm W/lower Bearing	91	532132274	Bracket Asm Noseroller LH
14	532128774	Housing Mandrel Vented(machd)	92	873800600	Nut Lock Hex w/ins. 3/8-16 UNC
15	532110485	Bearing Ball Mandrel	93	819171416	Washer 17/32 X 7/8 X 16 Ga
16	532140329	Stripper Round Mower	94	532132264	Roller Nose 38 & 42
17	872110618	Bolt Rdhd Sqnk 3/8-16 X 2-1/4	95	532132273	Bracket Asm Noseroller RH
18	872140505	Bolt Carr 5/16-18 X 5/8	111	532155197	Bracket Gauge Wheel Lh
19	532132827	Bolt Shoulder	112	532155198	Bracket Gauge Wheel Rh
20	532136888	Baffle Vortex 42	113	817490512	Screw Thdrol 5/16-18 x 3/4
21	873680500	Nut Crown Lock 5/16-18	114	873510500	Nut Keps 5/16-18 UNC
22	532134753	Stiffener Bracket 42"deck	115	872110504	Bolt Carriage 5/16-18unc x 1/2
23	532131267	Bracket Deflector Mower 42"	116	532137644	Bolt Shoulder
24	532105304	Cap Sleeve 80x 112 Blk Mower	117	532133957	Wheel Gauge
25	532123713	Spring Torsion Deflector 2 52	118	873930600	Nut Centerlock 3/8-16 UNC
26	532110452	Nut Push Phos & Oil	119	819121414	Washer 3/8 x 7/8 x 14 Ga.
27	532130968	Shield Deflector	121	532143723	Bracket Extruded Gauge Wheel
28	819111016	Washer 11/32 X 5/8 X 16 Ga	125	876020816	Cotter Pin
29	532131491	Rod Hinge 42"6 75 Wlg	128	532153390	Washer Felt
30	532138776	Screw Thdrol Hex Hd Zinc Mwr.	129	819131312	Washer 13/32 x 13/16 x 12 Ga.
31	532129963	Washer Spacer Mower Vented	130	874780616	Bolt Fin Hex 3/8-16 UNC x 1 Gr. 5
32	532153535	Pulley Mandrel	131	872140608	Bolt Rdhd Sqnk 3/8-16 UNC x1
33	532137266	Nut 9/16top Lock Flng Cntr	132	819132203	Washer 13/32 x 1-3/8 x 3 Ga.
34	872110622	Bolt RDHD 3/8-16 UNC x 2-3/4 Gr.5	--	532145024	Deck Serv 42" Elec Vent (Standard Deck - Order Nose Roller, Gauge Wheel and Mulcher Plate components separately Key Nos. 90-95, 101-106 and 111-121)
35	532133835	Fastner Christmas Tree	--	532130794	Mandrel Assembly (Includes Key Numbers 8-10, 12-15, 31 and 33)
36	532131494	Pulley Idler Flat 3 060			
37	819131316	Washer 13/32 X 13/16 X 16 Ga			
38	532132823	Spacer Spring Stop Idler			
40	873680600	Nut Lock 3/8-16 Unc			
44	532140088	Guard Mandrel LH Black			

NOTE: All component dimensions given in U.S. inches
1 inch = 25.4 mm



MOWER LIFT



O

MOWER LIFT

KEY NO.	PART NO.	DESCRIPTION
1	532159460	Wire Asm Inner/Sprg w/plngr LT
2	532159471	Shaft Asm Lift
3	532105767	Pin Groove
4	812000002	E Ring #5133-62
5	819211621	Washer 21/32 X 1 X 21 Ga.
6	532120183	Bearing Nylon Blk 629 Id
7	532125631	Grip Handle
8	532124526	Button Plunger Black
11	532139865	Link Lift LH Mower
12	532139866	Link Lift RH Mower
13	532124670	Retainer Spring
15	532127218	Link Front
16	873350800	Nut Jam Hex 1/2-13 Unc
17	532130171	Trunnion Blk Zinc
18	873800800	Nut Lock W/wsh 1/2-13unc
19	532139868	Arm Suspension Rear
20	532124660	Retainer Spring
23	532110807	Nut Special
24	819131016	Washer 13/32 x 5/8 x 16 Ga.
25	532124874	Spring 2-1/8"
26	876020308	Pin Cotter 3/32 x 1/2
27	532126971	Rod Adj Lift
28	873350600	Nut Hex Jam 3/8-16 UNC
29	532138057	Knob Inf 3/8-16 UNC
30	532150233	Trunnion Inf. Height
31	873540600	Nut Crownlock 3/8-24
32	532140302	Bearing PT Lift Spherical
36	532155097	Pointer Height Ind
37	532123935	Plug Hole
38	817490512	Screw Thdrol 5/16-18 x 3/4
40	819112410	Washer 11/32 x 1-1/2 x 10 Ga.
41	532155098	Ind Height STLT
49	532145212	Nut, Hex Flange Lock
50	532110452	Nut, Push

NOTE: All component dimensions given in U.S. inches
1 inch = 25.4 mm