

# YTH180

**Spare parts**

**Ersatzteile**

**Pièces détachées**

**Reserve onderdelen**

**Repuestos**

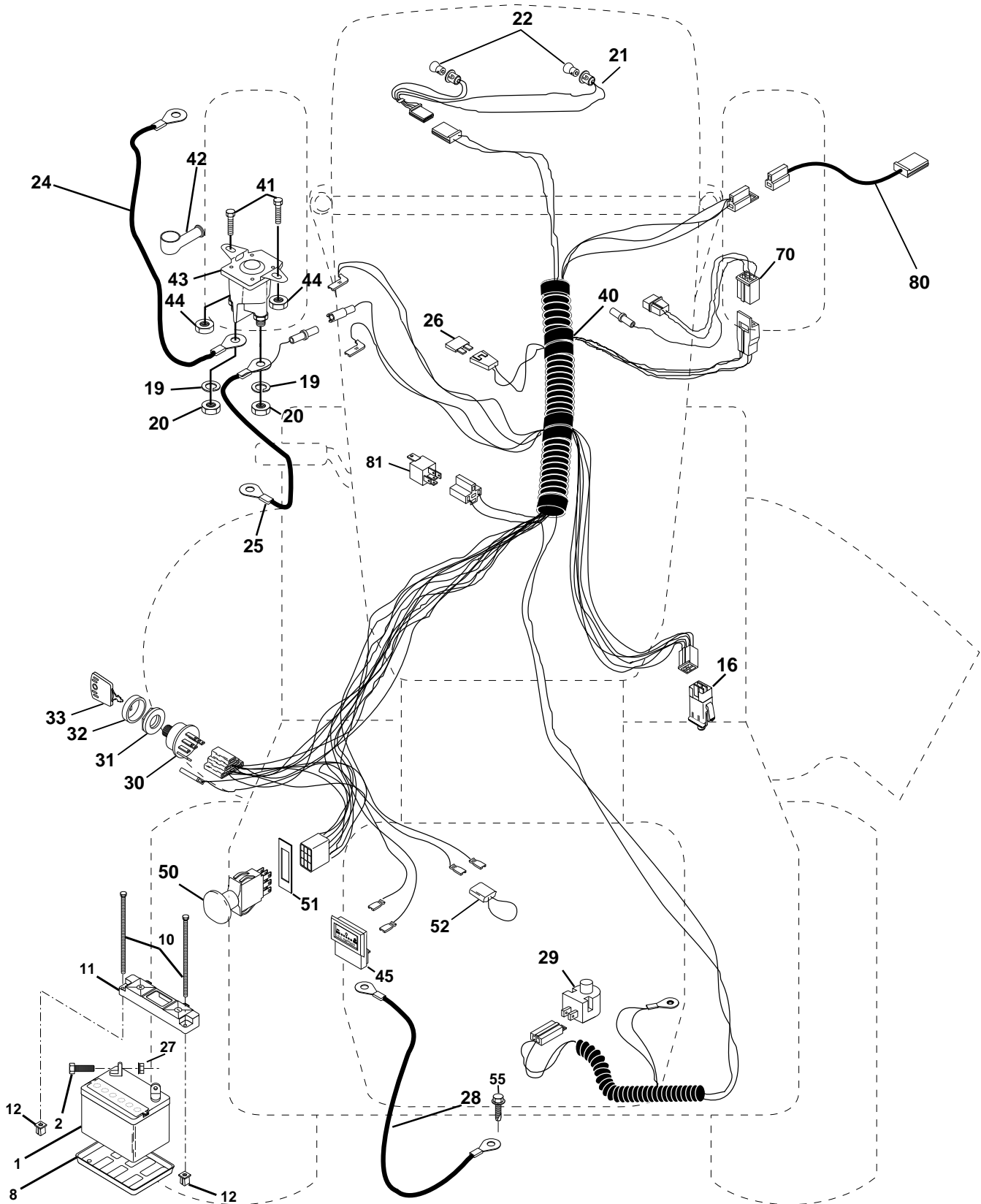
**Reservdelar**

Page "Decals"

\*Note: Not in stock, but can be delivered directly from factory.

# REPAIR PARTS

TRACTOR - MODEL NO. YTH180 (HEYTH180A), PRODUCT NO. 954 82 01-41  
ELECTRICAL



# REPAIR PARTS

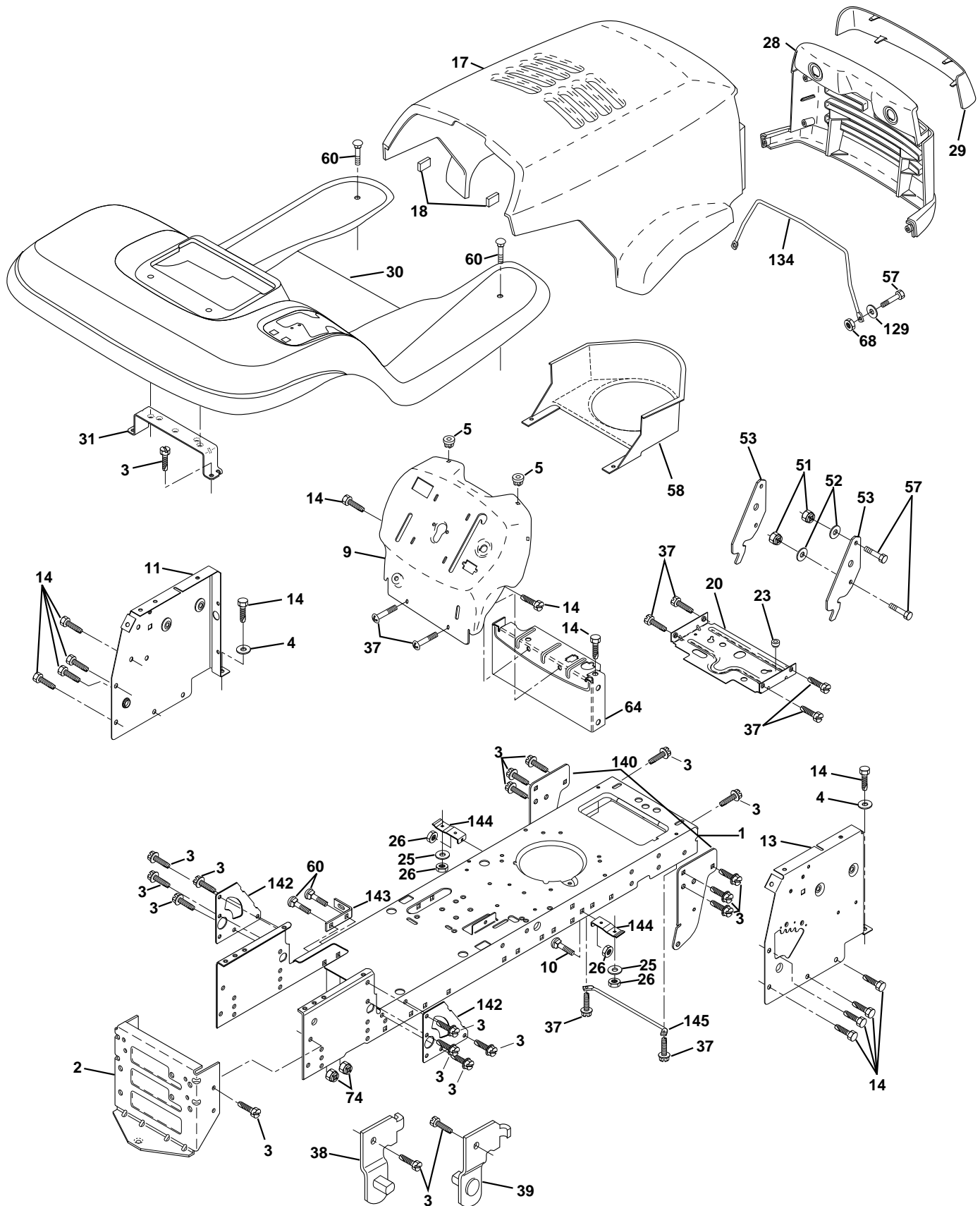
TRACTOR - MODEL NO. YTH180 (HEYTH180A), PRODUCT NO. 954 82 01-41  
ELECTRICAL

KEY NO.	PART NO.	DESCRIPTION
1	532144927	Battery 12 VOLT 35 AMP
2	874760412	Bolt Hex Hd 1/4-20unc X 3/4
8	532124886	Tray Battery 7.80 x 5.25 Blk
10	532145211	Bolt Btr Frt 1/4-20 x 7.5 Zinc
11	532150109	Holddown Battery Front Mount
12	532145769	Nut Push Nylon 1/4" Battery Frt
16	532153664	Switch Interlock Push-In
19	810090400	Washer Lock 1/4
20	873350400	Nut Jam Hex 1/4-20 Unc
21	532136850	Harness Asm Light W/4152J
22	532004152	Bulb Light #1156
24	532124780	Cable Battery 6 Ga 11"red
25	532146148	Cable Battery 6 Ga W/16 Ga Wire 22"
26	532108824	Fuse 30 AMP Auto Green
27	873510400	Nut Keps hex 1/4-20 Unc
28	532145491	Cable Ground 6 Ga 21" Black
29	532160784	Switch Plunger Normal Op Olive
30	532140301	Switch Ignition 4 Pos
31	532124211	Nut Ignition
32	532141226	Cover Sw Key Blk 1 25 Text SLT
33	532122147	Key Ign Molded Generic
40	532160720	Harness Ign.
41	871110408	Bolt Hex Hd. Fin 1/4-20 x 1/2 Gr. 5
42	532131563	Cover Terminal Red
43	532145673	Solenoid
44	873640400	Nut Keps Hex 1/4-20 Unc
45	532122822	Rectangular 15amp Ammeter
50	532154959	Switch PTO 3 PDT Black
51	532140405	Ring Retainer PTO
52	532141940	Protection Wire Loop
55	817490508	Screw Thdrol 5/16-18 x 1/2
70	532143346	Harness Engine
80	532146685	Harness Clutch Evx
81	532109748	Relay Asm.

**NOTE:** All component dimensions given in U.S. inches  
1 inch = 25.4 mm.

# REPAIR PARTS

TRACTOR - MODEL NO. YTH180 (HEYTH180A), PRODUCT NO. 954 82 01-41  
ENCLOSURES



# REPAIR PARTS

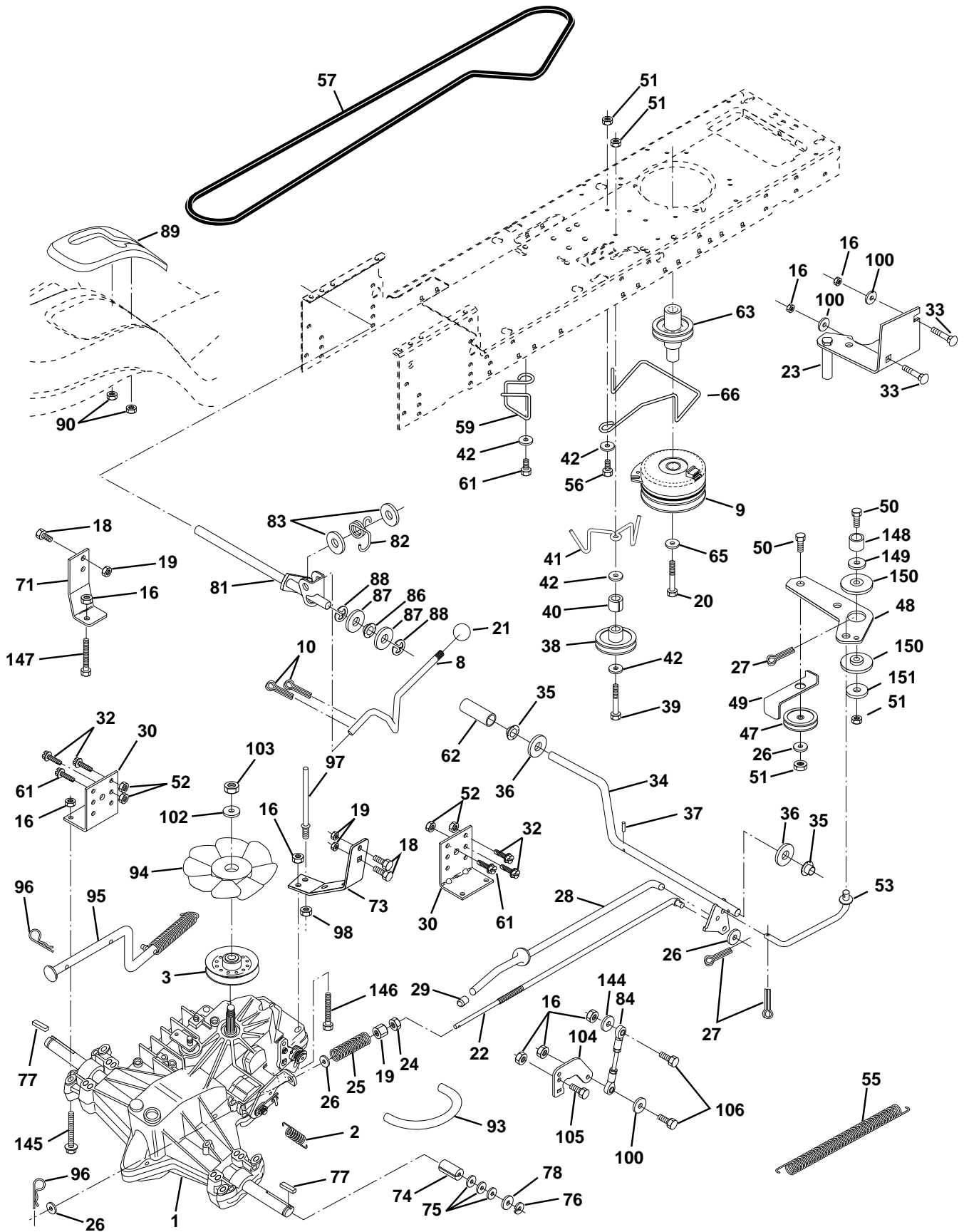
TRACTOR - MODEL NO. YTH180 (HEYTH180A), PRODUCT NO. 954 82 01-41  
ENCLOSURES

KEY NO.	PART NO.	DESCRIPTION
1	532160392	Chassis Stl Stamping 98
2	532140356	Drawbar, Stretch
3	817490612	Screw Thdrol 3/8-16x3/4 Ty-tt
4	819131216	Washer 13/32 x 3/4 x 16 Ga.
5	532155272	Bumper Hood/Dash
9	532157838	Dash P/L
10	872140608	Bolt Carriage 3/8-16 x 1
11	532155927	Panel Dash Lh
13	532155936	Panel Dash Rh
14	817490608	Screw Thdrol 3/8-16x1/2 Ty-tt
17	532165378	Hood LT/PL Husqvarna
18	532126938	Bumper Hood
20	532156437	Plate Mtg Battery Fuel Tank Fr
23	532124028	Bushing
25	819131312	Washer 13/32 X 13/16 X 12 Ga
26	873800600	Nut Lock Hex W/Ins 3/8-16 Unc
28	532165379	Grille LT/PL Husqvarna
29	532165380	Lens LT/PL Husqvarna
30	532156489	Fender Footrest STLT Pnt
31	532139976	Bracket Support Fender
37	817490508	Screw Thdrol 6/16-18 x 1/2 TYT
38	532139886	Bracket, Asm. Pivot, L.H., Mower Rear
39	532139887	Bracket, Asm. Pivot, R.H., Mower Rear
51	873800400	Nut Lock Hex W/Ins 1/4-20
52	819091416	Washer 9/32 x 7/8 x 16 Ga.
53	532150067	Bracket Pnt. Pick off LT/PL Husqvarna
57	874780412	Bolt Hex 1/4-20 x 3/4
58	532162266	Duct Intake Air
60	872140606	Bolt Rdhd Sqnk 3/8-16unc x 3/4
64	532154798	Dash Lower STLT
68	873510400	Nut Keps Hex 1/4-20 UNC
74	873680600	Nut Crownlock 3/8-16 UNC
129	819091016	Washer 9/32 x 5/8 x 16 Ga.
134	532160219	Rod Support Hood PL Husq.
140	532158418	Bracket Suspension Front
142	532165867	Plate Reinforcement STLT
143	532154966	Bracket Swaybar Chassis
144	532154207	Bracket Pnt Footrest STLT
145	532156524	Rod Pivot Chassis/Hood

**NOTE:** All component dimensions given in U. S. inches  
1 inch = 25.4 mm

# REPAIR PARTS

TRACTOR - MODEL NO. YTH180 (HEYTH180A), PRODUCT NO. 954 82 01-41  
DRIVE



# REPAIR PARTS

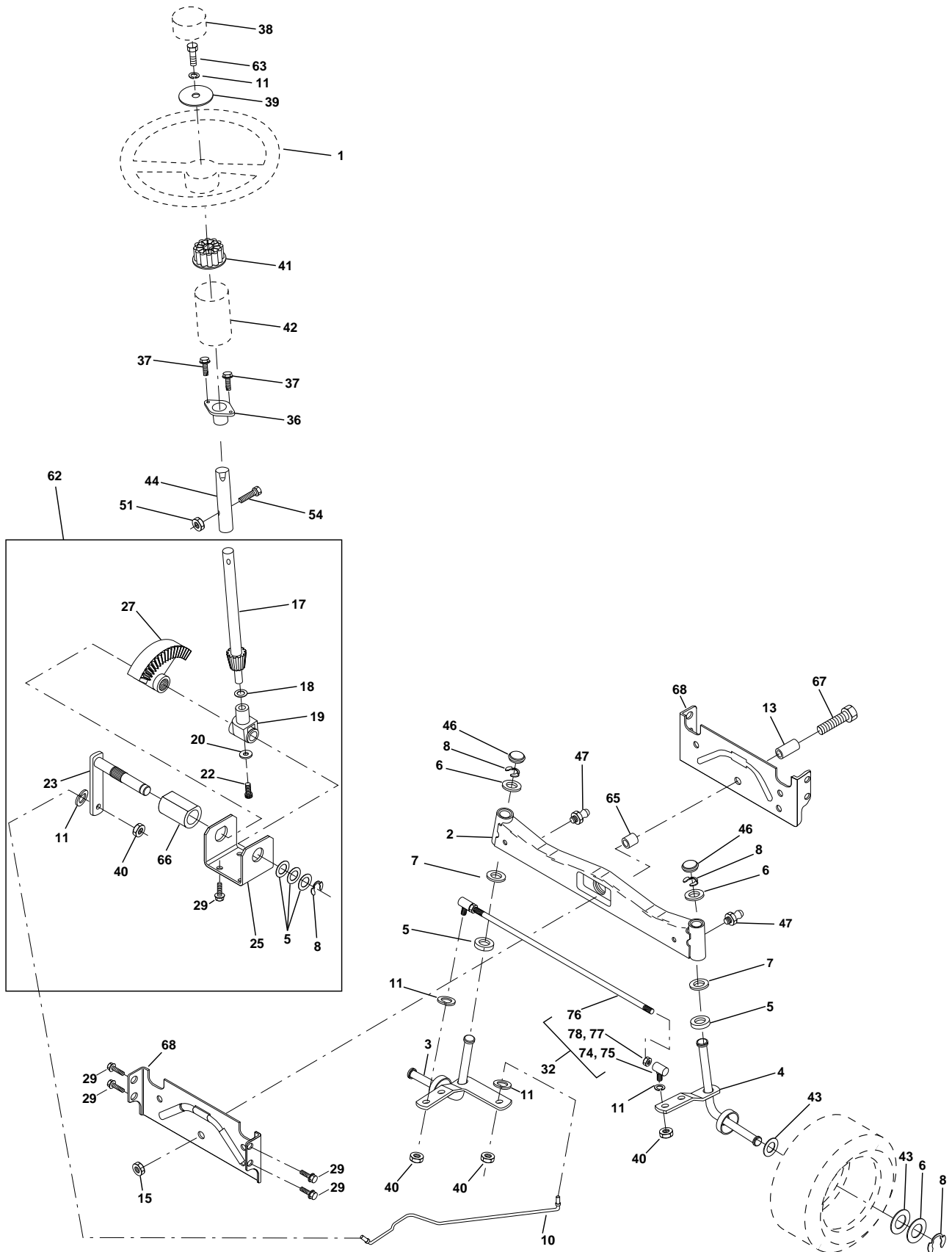
TRACTOR - MODEL NO. YTH180 (HEYTH180A), PRODUCT NO. 954 82 01-41  
DRIVE

KEY NO.	PART NO.	DESCRIPTION	KEY NO.	PART NO.	DESCRIPTION
1	-----	Transaxle (See Breakdown) Hydro Gear 310-0650	61	817490612	Screw Thdrol. 3/8-16 x 3/4 TYTT
2	532142431	Spring, Return, Brake	62	532123533	Cover, Pedal
3	532143995	Pulley, Transaxle	63	532145868	Pulley, Engine
8	532154792	Rod Shift Fender	65	810040700	Washer
9	532160889	Clutch Electric	66	532154778	Keeper Belt Engine Hydro
10	876020416	Pin Cotter 1/8 x 1 CAD	73	532156347	Strap Torque Rh Hydro
16	873800500	Nut Lock Hex W/Ins. 5/16-18 Unc	71	532140158	Strap Torque Lh Hydro 18/20" T
18	874780616	Bolt Fin Hex 3/8-16 Unc x 1 Gr.5	74	532121199	Spacer, Split
19	873800600	Nut Lock Hex W/Wsh 3/8-16 Unc	75	532121749	Washer 25/32 x 1-1/4 x 16 Ga.
20	532150280	Bolt, Hex 7/16-20 x 4-1/4	76	812000001	E-Ring
21	532121274	Knob Duckhead	77	532123583	Key, Square
22	532145627	Rod, Brake Hydro	78	532121748	Washer 25/32 x 1-5/8 x 16 Ga.
23	532154978	Bracket Asm Mtg CL Evx	81	532156046	Shaft Asm. Cross Hydro 6 50
24	873350600	Locknut	82	532123782	Spring Torsion T/A
25	532106888	Spring, Brake Rod	83	819171216	Washer 17/32 x 3/4 x 16 Ga.
26	819131316	Washer	84	532161901	Rod, Tie Hydro 20" Tires
27	876020412	Pin Cotter 1/8 x 3/4 CAD.	86	532157480	Bushing
28	532145204	Rod, Parking Brake	87	819212016	Washer 21/32 x 1-1/4 x 16 Ga.
29	532071673	Cap, Parking Brake	88	812000008	Ring Klip #5304-62
30	532130807	Bracket, Transaxle	89	532166510	Console, Shift
32	874760512	Bolt Hex Hd 5/16-18 Unc x 3/4	90	532124346	Nut, Self Thd Wsh Hd 1/4 Zinc
33	872140506	Bolt Carriage 5/16-18 UNC x 3/4	93	532142564	Line Fuel Hydro 4"
34	532155071	Shaft, Foot Pedal	94	532140462	Fan, Hydro 7"
35	532120183	Bearing, Nylon	95	532144643	Control Asm. Bypass Hydro
36	819211616	Washer	96	532124788	Retainer Spring 1" Zinc/Cad
37	532124963	Pin, Roll	97	532140469	Keeper Belt Rh Hydro 0750.18/20"
38	532131494	Pulley, Idler, Flat	98	873510600	Nut Keps Hex 3/8-16 Unc
39	874760644	Bolt	100	819111216	Washer 11/32 x 3/4 x 16 Ga.
40	532124965	Spacer Split	102	532141322	Washer Belleville .501D x 1.50D
41	532165838	Keeper, Belt Idler Fool-Proof	103	873940800	Nut Hex Jam Toplock 1/2-20 Unf
42	819131312	Washer 13/32 x 13/16 x 12 Gauge	104	532140156	Arm, Control Hydro
47	532127783	Pulley, Idler, V-Groove	105	871070516	Screw Cap Hex 5/16 x 18 x 1
48	532154407	Bellcrank Clutch Grnd Drv Stl	106	874780520	Bolt Fin Hex 5/16-18 Unc x 1-1/4
49	532123205	Retainer, Belt	144	819111016	Washer 11/32 x 5/8 x 16 Ga.
50	874760624	Bolt	145	874490540	Bolt Hex Flghd 5/16-18 Gr. 5
51	873680600	Nut	146	874490536	Bolt Hex Flghd 5/16-18 x 2-1/4
52	873680500	Nut Crown Lock 5/16-18	147	874490524	Bolt Hex Flghd 5/16-18 x 1-1/2
53	532105710	Link, Clutch	148	532159103	Spacer
55	532105709	Spring, Return, Clutch	149	532122052	Spacer Retainer PM Mower
56	874760620	Bolt	150	532150935	Bushing Nylon Collered
57	531006042	V-Belt, Ground Drive	151	819133210	Washer 13/32 x 2 x 10 Ga.
59	532140312	Keeper, Center Span			

**NOTE:** All component dimensions give in U.S. inches.  
1 inch = 25.4 mm.

# REPAIR PARTS

TRACTOR - MODEL NO. YTH180 (HEYTH180A), PRODUCT NO. 954 82 01-41  
STEERING ASSEMBLY





# REPAIR PARTS

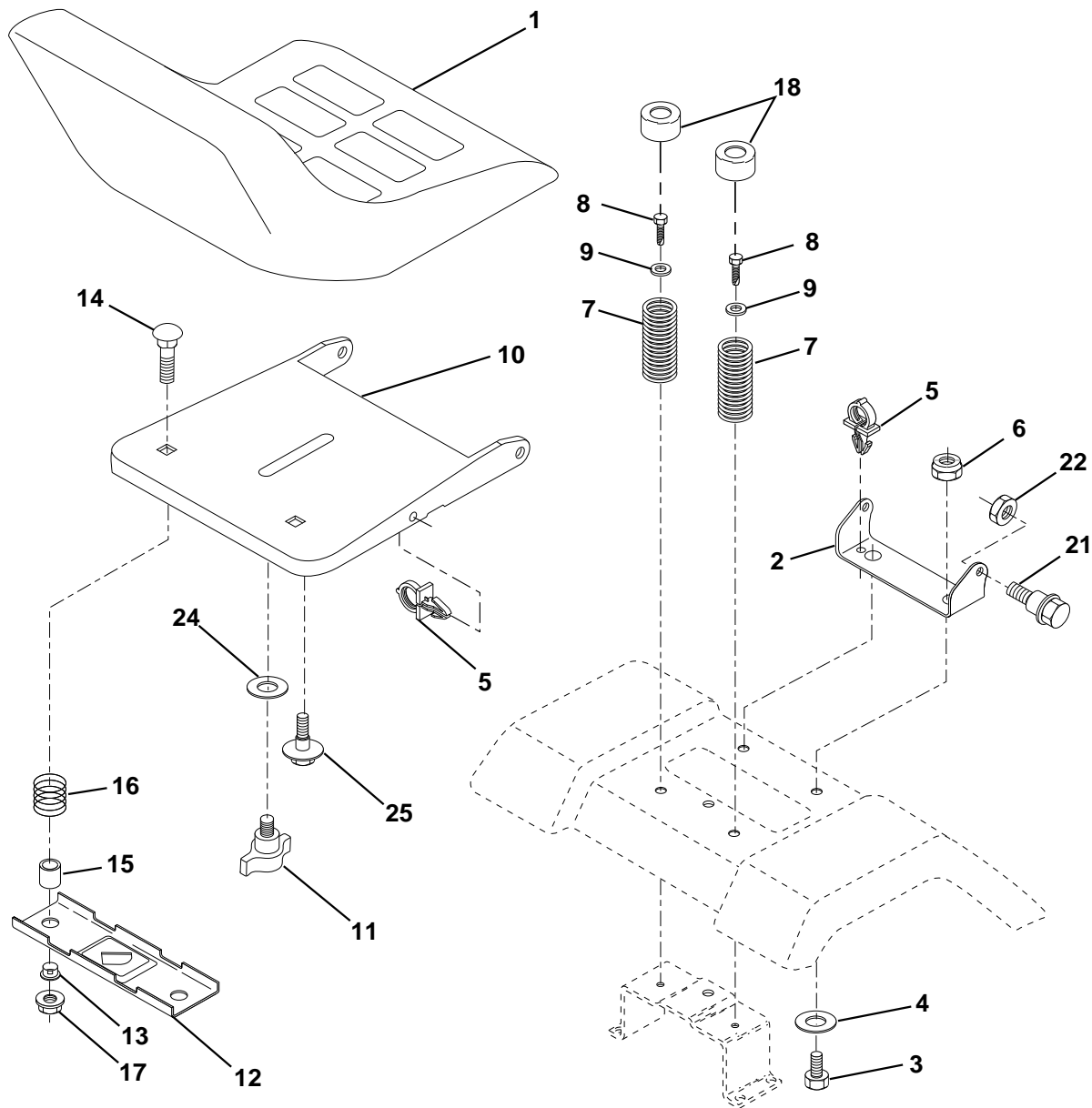
## TRACTOR - MODEL NO. YTH180 (HEYTH180A), PRODUCT NO. 954 82 01-41 STEERING ASSEMBLY

KEY NO.	PART NO.	DESCRIPTION
1	532124415	Wheel Steering
2	532137094	Axle Front Casting Machined
3	532157479	Spindle Asm Cast LH
4	532157478	Spindle Asm Cast RH
5	532124931	Bearing Race Thrust Harden
6	532121748	Washer 25/32 X 1-5/8 X 16 Ga
7	819272016	Washer 27/32 X 1-1/4 X 16 Ga
8	812000029	Ring Klip #5304-75
10	532154432	Link Drag Extended Cast
11	810040600	Washer Lock Hvy Hlcl Spr 3/8
13	532154779	Bearing Axle STLT
15	873901000	Nut Lock Flange 5/8-11 Unc
17	532156546	Shaft Asm Strg Private Label
18	532057079	Washer Thrust 515x 750x 033
19	532124035	Support Shaft
20	532126684	Washer Shim 1/4 X 5/8 X 062
22	871200410	Screw Hex Socket 1/4-20 x 5/8
23	532127501	Shaft Asm Pittman
25	532154406	Bracket Steering
27	532136874	Gear Sector 22 Teeth
29	817490612	Screw Thdrol 3/8-16x3/4 Ty-tt
32	532137347	Rod Tie
36	532155099	Bushing Strg
37	532152927	Screw TT #32.5 x 5 x 3/8 Flange
38	532124416	Cap Wheel Steer
39	819133808	Washer 13/32 x 2-3/8 x 8 Ga.
40	532124701	Nut Lock Center 3/8-24 Unf
41	532100711	Adaptor Wheel Strg
42	532155092	Boot Dash Steering
43	532121749	Washer 25/32 X 1 1/4 X 16 Ga
44	532153720	Extension Steering Non-adjust
46	532121232	Cap Spindle Fr Top Blk
47	532124836	Fitting Grease
51	873800500	Nut Lock Hex W/Ins 5/16-18 UNC
54	874780520	Bolt Fin Hex 5/16-18 UNC x 1-1/4
62	532156594	Steering Assembly
63	874780616	Bolt Fin Hex 3/8-16 UNC x 1 Gr. 5
65	532154780	Spacer
66	532154404	Bearing Arm Pittman
67	874781044	Bolt Fin Hex 5/8-11 UNC x 2-3/4
68	532154429	Brace, Axle
74	532109850	Joint Asm Ball Rh Service
75	532109851	Joint Asm Ball Lh Service
76	532137156	Rod Tie Ball J Adj. Vgt Service
77	873700600	Nut Hex Jam 3/8-24 Unf Lh
78	873360600	Nut Hex Jam 3/8-24 Unf

**NOTE:** All component dimensions given in U.S. inches  
1 inch = 25.4 mm.

# REPAIR PARTS

## TRACTOR - MODEL NO. YTH180 (HEYTH180A), PRODUCT NO. 954 82 01-41 SEAT ASSEMBLY



KEY NO.	PART NO.	DESCRIPTION
1	532140840	Seat
2	532140551	Bracket Pivot Seat 8 720
3	874760616	Bolt Hex 3/8-16unc x 1
4	819131610	Washer 13/32 X 1 X 10 Ga
5	532145006	Clip Push-In Hinged
6	873800600	Nut Lock Hex w/Ins. 3/8-16 Unc
7	532124181	Spring Seat Cprsn 2 250 Blk Zi
8	817490616	Screw Thdrol 3/8-16 X 1 Ty-tt
9	819131614	Washer 13/32 X 1 X 14 Ga
10	532155925	Pan Seat
11	532120068	Knob Seat 1/2-13 UNC
12	532121246	Bracket Mounting Switch

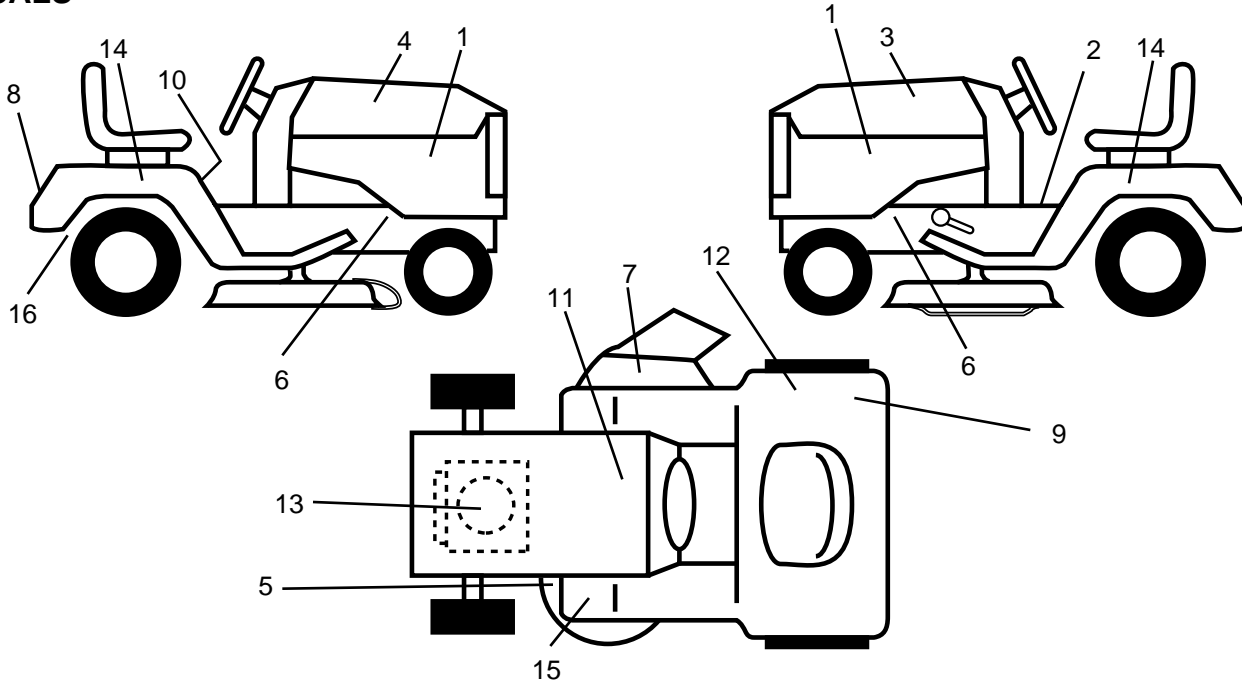
KEY NO.	PART NO.	DESCRIPTION
13	532121248	Bushing Snap Blk Nyl 50 Id
14	872050412	Bolt Rdhd Sht Nk 1/4-20x1-1/2
15	532121249	Spacer Split 28x 88 Zinc
16	532123740	Spring Cprsn 1 310 Blk Pnt
17	532123976	Nut Lock 1/4 Lge Flg Gr 5 Zinc
18	532124238	Cap Spring Seat
21	532153236	Bolt Shoulder 5/16-18 Unc-2A
22	873680500	Nut Crown Lock 5/16-18
24	819171912	Washer 17/32 X 1-3/16 X 12 Ga
25	532127018	Bolt Shoulder 5/16-18 X 62

**NOTE:** All component dimensions given in U.S. inches  
1 inch = 25.4 mm.

# REPAIR PARTS

TRACTOR - MODEL NO. YTH180 (HEYTH180A), PRODUCT NO. 954 82 01-41

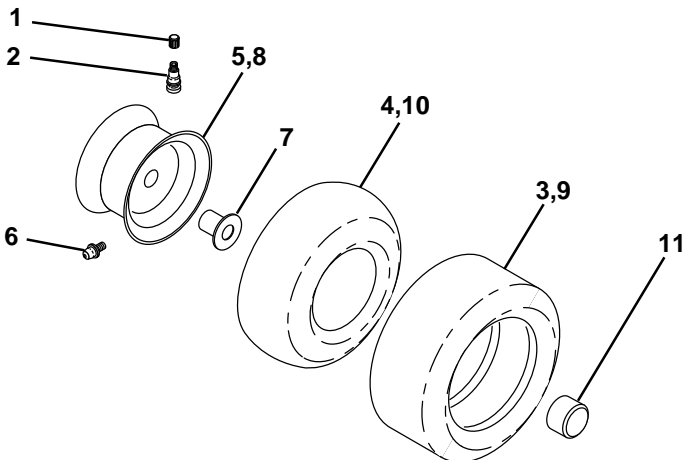
## DECALS



KEY NO.	PART NO.	DESCRIPTION	KEY NO.	PART NO.	DESCRIPTION
1	532159713	Decal, Pnl Side B&S	14	532157007*	Decal, Fender Automatic Jonsered
2	532140837*	Decal, Brake Parking Sandle	15	532159737*	Decal, Brake/Clutch Symbol
3	532150728	Decal, Hood, L. H.	16	532162598*	Decal Drawbar Load Limit
4	532150727	Decal, Hood, R.H.	--	532142341*	Decal, Drawbar CNTRL MVT HYD LT
5	532160396*	Decal, V-Belt Sch.	--	532138311*	Decal, Handle Lift Height Adjust. (Lift Handle)
6	532159736*	Decal, Chassis Hot Muffler	--	532154515	Pad, Footrest LH
7	532145494*	Decal, Mower Cutfinger Symbol	--	532154516	Pad, Footrest RH
8	532150617*	Decal, Logo, Fender	--	532166443	Manual, Operator's (Euro)
9	532126187*	Decal, 100 DBA	--	532166444	Manual, Operators, (Scan)
10	532145498*	Decal, Read Owners Manual	Available accessories not included with tractor:		
11	532145005*	Decal, Bat Dan/Poi P/L Sym	--	C42	42" Bagger
12	532145437*	Decal, Europe Stand. CE Syms	--	MK420	Kit Mulcher w/Blades
13	532165398*	Decal Engine			



## WHEELS & TIRES

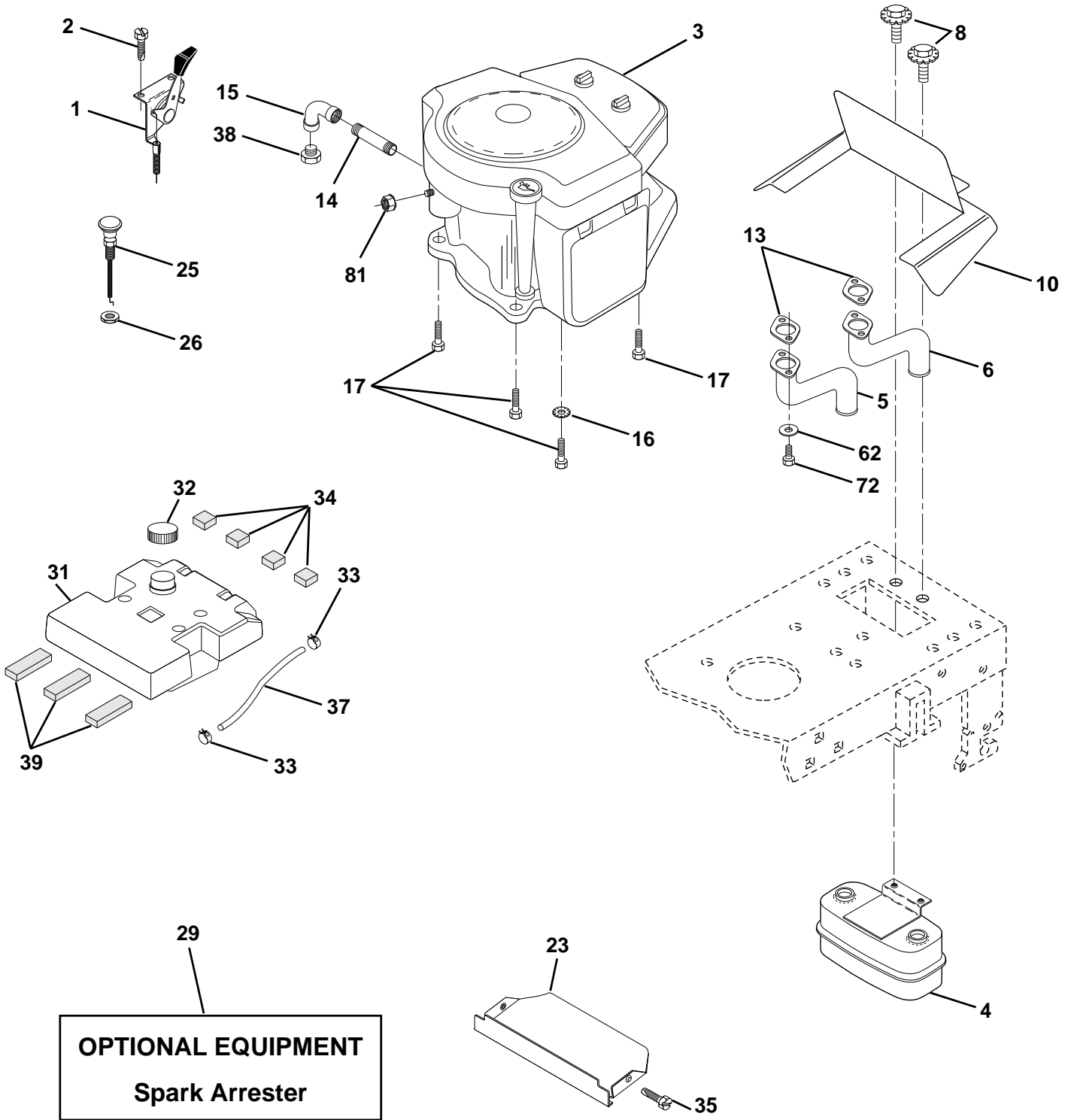


KEY NO.	PART NO.	DESCRIPTION
1	532059192	Cap Valve Tire
2	532065139	Stem Valve
3	532106222	Tire F Ts 15 X 6 0 - 6 Service
4	532059904	Tube Front (Service Item Only)
5	532138336	Rim Asm 6"front Silver Service
6	532124957	Fitting Grease (Front Wheel Only)
7	532124959	Bearing Flange (Front Wheel Only)
8	532138337	Rim Asm 8"rear Silver Service
9	532122082	Tire R Ts 20x10-8 C Service
10	532124926	Tube Rear (Service Item Only)
11	532104757	Cap Axle Blk 1 50 X 1 00

**NOTE:** All component dimensions given in U.S. inches  
1 inch = 25.4 mm

# REPAIR PARTS

TRACTOR - MODEL NO. YTH180 (HEYTH180A), PRODUCT NO. 954 82 01-41  
ENGINE



# REPAIR PARTS

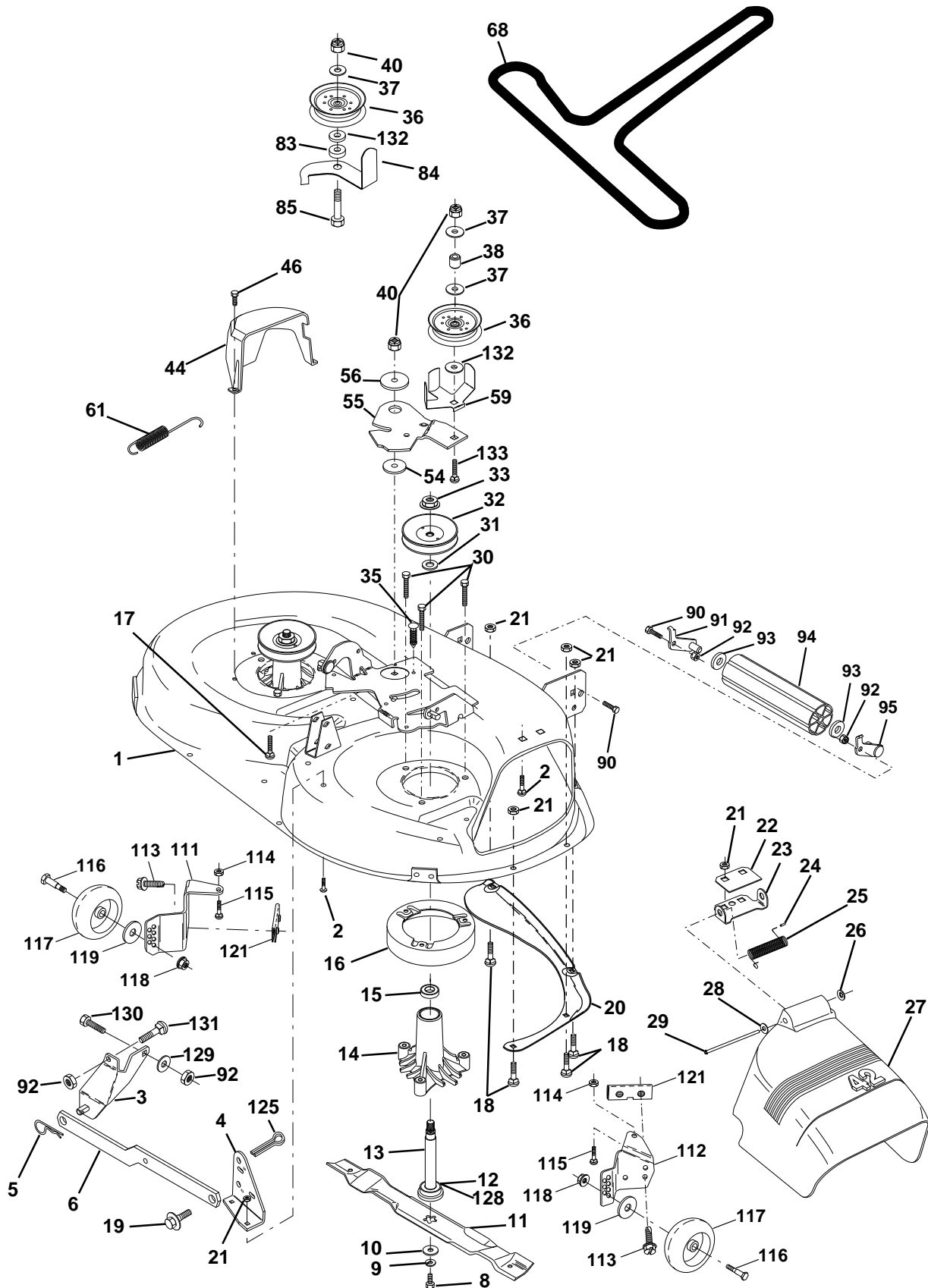
TRACTOR - MODEL NO. YTH180 (HEYTH180A), PRODUCT NO. 954 82 01-41  
ENGINE

KEY NO.	PART NO.	DESCRIPTION
1	532148875	Control, Throttle
2	817720410	Screw, Hex Head, Thread Cutting 1/4-20 x 5/8
3	-----	Engine, B&S Model Number 407777
4	532149723	Muffler
5	532159955	Tube, Manifold, LH
6	532160589	Tube, Manifold, RH
8	532150176	Bolt 5/16-18 UNC x 3/4 w/Sems
10	532162797	Shield, Browning B&S Intek II
13	532165391	Muffler Gasket (Order from Engine Manufacturer)
14	813280336	Nipple, Pipe 3/8 NPT x 4-1/2
15	813200300	Elbow, Standard 90° 3/8-18 NPT
16	811050600	Washer, Lock, External Tooth 3/8
17	817490624	Screw Thdrol 3/8-16 x 1-1/2
23	532159880	Shield, Browning / Debris Guard
25	532145996	Choke Control
26	873920600	Nut, Keps 3/8-24 UNF
29	532137180	Kit, Spark Arrestor
31	532157103	Tank Fuel 3 50 Rear
32	532140527	Cap Asm Fuel W/sym Vented
33	532123487	Clamp, Hose
34	532106082	Pad, Spacer
35	817490512	Screw, Thd. Roll. 5/16-18 x 3/4
37	532124923	Line, Fuel
38	-----	Plug, Oil Drain (Order From Engine Manufacturer)
39	532109227	Pad, Idler
62	810040500	Washer, Lock 5/16 (Order from engine mfg.)
72	871070512	Screw, Hex Socket Head 5/16-18 x (Order from engine mfg.)
81	532128861	Nut, Flange 1/4-20 Starter Nut

**NOTE:** All component dimensions given in U.S. inches  
1 inch = 25.4 mm

# REPAIR PARTS

TRACTOR - MODEL NO. YTH180 (HEYTH180A), PRODUCT NO. 954 82 01-41  
MOWER DECK



# REPAIR PARTS

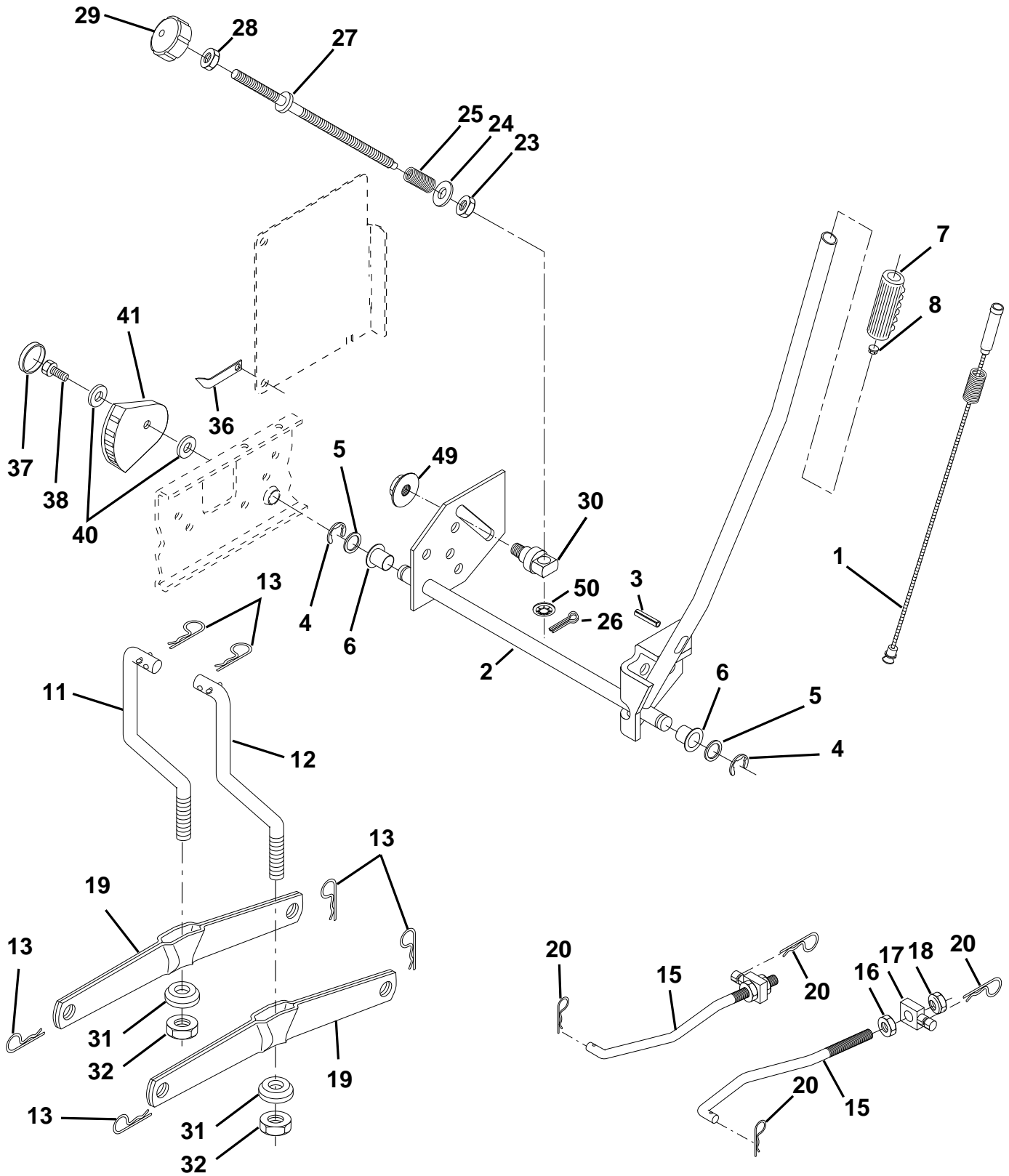
## TRACTOR - MODEL NO. YTH180 (HEYTH180A), PRODUCT NO. 954 82 01-41 MOWER DECK

KEY NO.	PART NO.	DESCRIPTION	KEY NO.	PART NO.	DESCRIPTION
1	532164961	Housing Asm Mower 42"94 T-Path	56	532122052	Spacer Retainer Pm Mower
2	872140506	Bolt Rdhd Sqnk 5/16-18unc X3/4	59	532141043	Guard, Belt
3	532138017	Bracket Asm Fr Sway Bar 38/42	61	532131950	Spring Ext. Elect
4	532138440	Bracket Asm Deck 42"sway Bar	68	531005086	V-Belt Mower
5	532124670	Retainer Spring	83	532120958	Washer Sintered
6	532130832	Arm Suspension Rear	84	532156084	Keeper Belt Idler
8	532850857	Bolt 3/8-24x1 25 Gr8 Patched	85	872140620	Bolt Carriage 3/8-16 x 2-1/2
9	810030600	Washer Lock Hvy 3/8 Unplated	90	874760616	Bolt Fin Hex 3/8-16unc X 1
10	532140296	Washer Hard Blade Mower Vented	91	532132274	Bracket Asm Noseroller LH
11	531005085	Blade Mower High Lift"	92	873800600	Nut Lock Hex w/ins. 3/8-16 UNC
12	532129895	Bearing Ball #6204 (Mandrel)	93	819171416	Washer 17/32 X 7/8 X 16 Ga
13	532137645	Shaft Asm W/lower Bearing	94	532132264	Roller Nose 38 & 42
14	532128774	Housing Mandrel Vented(machd)	95	532132273	Bracket Asm Noseroller RH
15	532110485	Bearing Ball Mandrel	111	532155197	Bracket Gauge Wheel Lh
16	532140329	Stripper Round Mower	112	532155198	Bracket Gauge Wheel Rh
17	872110618	Bolt Rdhd Sqnk 3/8-16 X 2-1/4	113	817490512	Screw Thdrol 5/16-18 x 3/4
18	872140505	Bolt Carr 5/16-18 X 5/8	114	873510500	Nut Keps 5/16-18 UNC
19	532132827	Bolt Shoulder	115	872110504	Bolt Carriage 5/16-18unc x 1/2
20	532159770	Baffle Vortex 42	116	532137644	Bolt Shoulder
21	873680500	Nut Crown Lock 5/16-18	117	532133957	Wheel Gauge
22	532134753	Stiffener Bracket 42"deck	118	873930600	Nut Centerlock 3/8-16 UNC
23	532131267	Bracket Deflector Mower 42"	119	819121414	Washer 3/8 x 7/8 x 14 Ga.
24	532105304	Cap Sleeve 80x 112 Blk Mower	121	532143723	Bracket Extruded Gauge Wheel
25	532123713	Spring Torsion Deflector 2 52	125	876020816	Cotter Pin
26	532110452	Nut Push Phos & Oil	128	532153390	Washer Felt
27	532130968	Shield Deflector	129	819131312	Washer 13/32 x 13/16 x 12 Ga.
28	819111016	Washer 11/32 X 5/8 X 16 Ga	130	874780616	Bolt Fin Hex 3/8-16 UNC x 1 Gr. 5
29	532131491	Rod Hinge 42"6 75 Wlg	131	872140608	Bolt Rdhd Sqnk 3/8-16 UNC x1
30	532157722	Screw Thd Rolling Washer Head	132	819132203	Washer 13/32 x 1-3/8 x 3 Ga.
31	532129963	Washer Spacer Mower Vented	133	872110622	Bolt Rdhd 3/8-16 Unc x 2-3/4 Gr. 5
32	532153535	Pulley Mandrel	--	532164964	Deck Serv 42" Elec Vent (Standard Deck - Order Nose Roller, Gauge Wheel and Mulcher Plate components separately Key Nos. 90-95, 101-106 and 111-121)
33	532137266	Nut 9/16top Lock Flng Cntr	--	532130794	Mandrel Assembly (Includes Key Numbers 8-10, 12-15, 31 and 33)
35	532133835	Fastner Christmas Tree			
36	532131494	Pulley Idler Flat 3 060			
37	819131316	Washer 13/32 X 13/16 X 16 Ga			
38	532132823	Spacer Spring Stop Idler			
40	873680600	Nut Lock 3/8-16 Unc			
44	532140088	Guard Mandrel LH Black			
46	532137729	Screw Thdrol 1/4-20x5/8			
54	532133943	Washer Hardened			
55	532140084	Arm Idler 42"mower LT/YT			

**NOTE:** All component dimensions given in U.S. inches  
1 inch = 25.4 mm

# REPAIR PARTS

TRACTOR - MODEL NO. YTH180 (HEYTH180A), PRODUCT NO. 954 82 01-41  
MOWER LIFT





# REPAIR PARTS

TRACTOR - MODEL NO. YTH180 (HEYTH180A), PRODUCT NO. 954 82 01-41  
MOWER LIFT

KEY NO.	PART NO.	DESCRIPTION
1	532159460	Wire Asm Inner/Sprg w/plngr LT
2	532159471	Shaft Asm Lift
3	532105767	Pin Groove
4	812000002	E Ring #5133-62
5	819211621	Washer 21/32 X 1 X 21 Ga.
6	532120183	Bearing Nylon Blk 629 Id
7	532125631	Grip Handle
8	532124526	Button Plunger Black
11	532139865	Link Lift LH Mower
12	532139866	Link Lift RH Mower
13	532124670	Retainer Spring
15	532127218	Link Front
16	873350800	Nut Jam Hex 1/2-13 Unc
17	532130171	Trunnion Blk Zinc
18	873680800	Nut Crownlock 1/2-13unc
19	532139868	Arm Suspension Rear
20	532163552	Retainer Spring
23	532110807	Nut Special
24	819131016	Washer 13/32 x 5/8 x 16 Ga.
25	532124874	Spring 2-1/8"
26	876020308	Pin Cotter 3/32 x 1/2
27	532126971	Rod Adj Lift
28	873350600	Nut Hex Jam 3/8-16 UNC
29	532138057	Knob Inf 3/8-16 UNC
30	532150233	Trunnion Inf. Height
31	873540600	Nut Crownlock 3/8-24
32	532140302	Bearing PT Lift Spherical
36	532155097	Pointer Height Ind
37	532123935	Plug Hole
38	817490512	Screw Thdrol 5/16-18 x 3/4
40	819112410	Washer 11/32 x 1-1/2 x 10 Ga.
41	532155098	Ind Height STLT
49	532145212	Nut, Hex Flange Lock
50	532110452	Nut, Push

**NOTE:** All component dimensions given in U.S. inches  
1 inch = 25.4 mm