

# YTH130

**Spare parts**

**Ersatzteile**

**Pièces détachées**

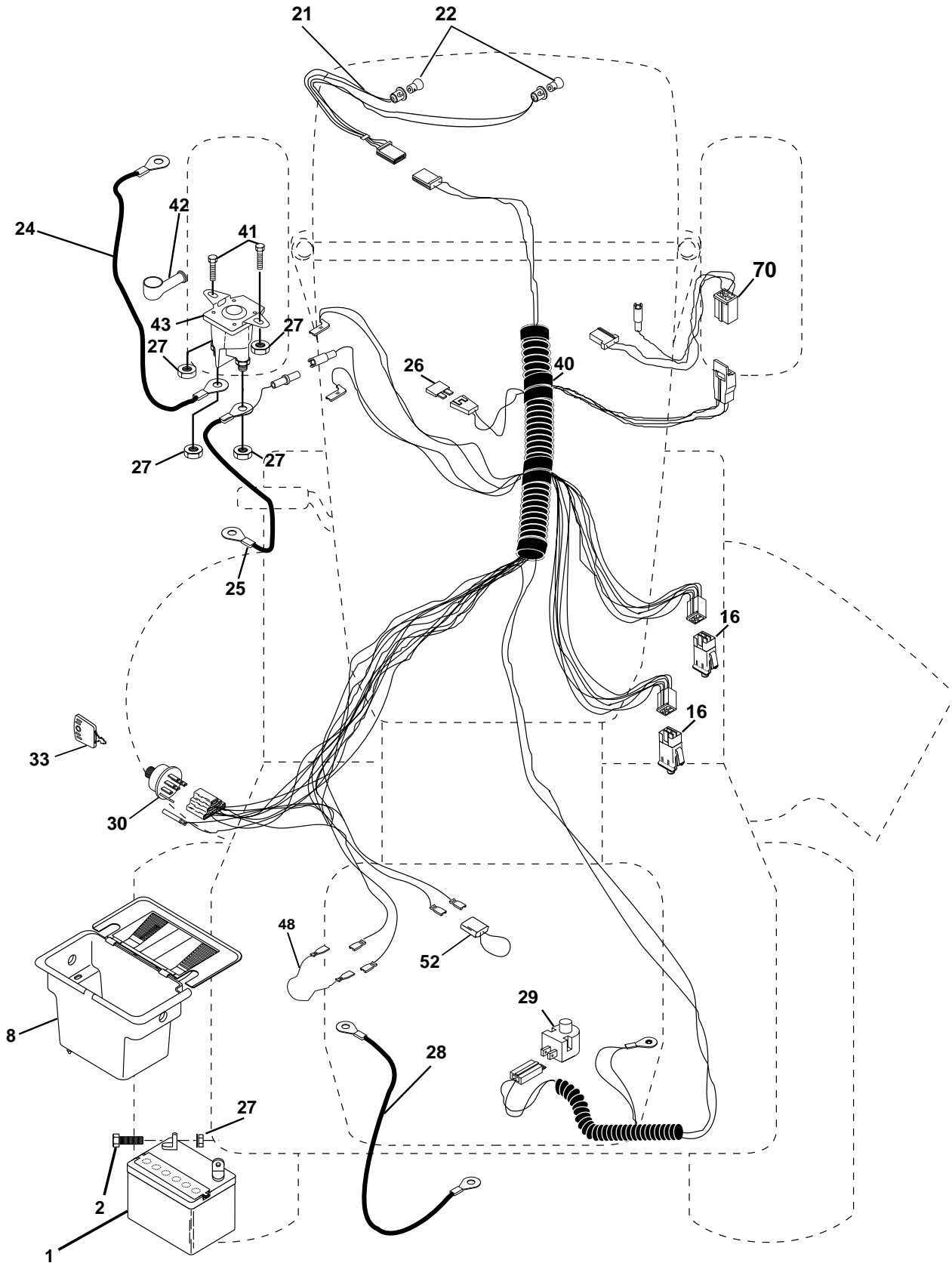
**Reserve onderdelen**

**Repuestos**

**Reservdelar**

# REPAIR PARTS

TRACTOR - MODEL NO. YTH130 (HEYTH130J), PRODUCT NO. 954 17 00-26  
ELECTRICAL



# REPAIR PARTS

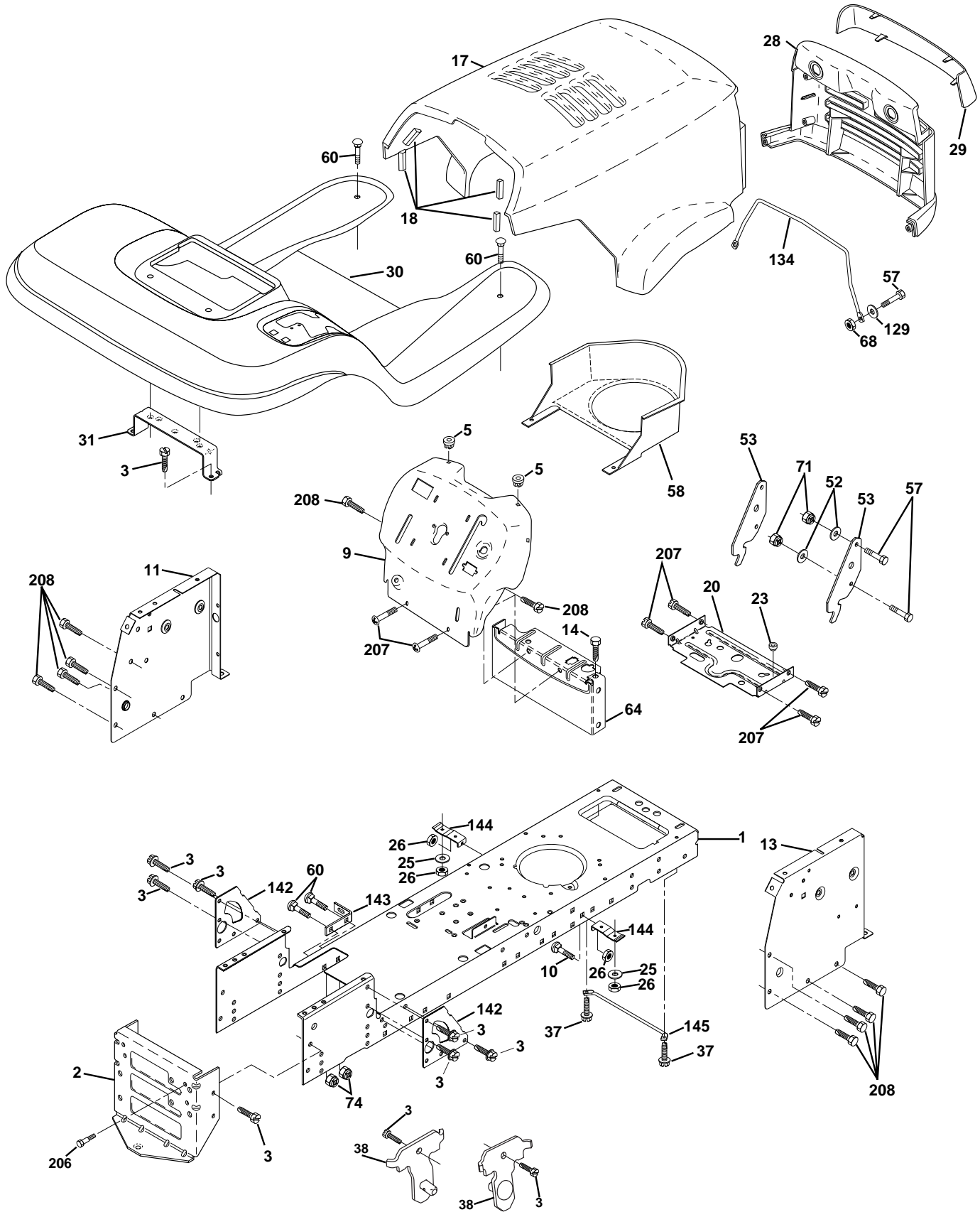
TRACTOR - MODEL NO. YTH130 (HEYTH130J), PRODUCT NO. 954 17 00-26  
ELECTRICAL

KEY NO.	PART NO.	DESCRIPTION
1	532144925	Battery 12 Volt 25 AMP
2	874760412	Bolt Hex Hd 1/4-20unc X 3/4
8	532156417	Case Battery Mech Hinge
16	532153664	Switch Interlock Push-In
20	873350400	Nut Jam Hex 1/4-20 Unc
21	<b>532166181</b>	Harness Asm Light W/4152j
22	532004152	Bulb Light #1156
24	532124780	Cable Battery 6 Ga 11" red
25	532146147	Cable Battery 6 Ga 44" red w/16 wire
26	532166180	Fuse 15 AMP
27	873510400	Nut Keps Hex 1/4-20 UNC
28	532124773	Cable Ground 6 Ga 12" black
29	532121305	Switch Plunger Nc Gray
30	<b>532163968</b>	Switch Ign
33	<b>532140401</b>	Key Ign Molded Generic
40	<b>532170217</b>	Harness Ign.
41	871110408	Bolt Blk Fin Hex 1/4 - 20 x 1/2
42	532131563	Cover Terminal Red
43	532145673	Solenoid
48	<b>532140844</b>	Adapter Ammeter Rectangular
52	532141940	Protection Wire Loop
70	<b>532170242</b>	Harness, Eng. B&S

**NOTE:** All component dimensions given in U.S. inches.  
1 inch = 25.4 mm.

# REPAIR PARTS

TRACTOR - MODEL NO. YTH130 (HEYTH130J), PRODUCT NO. 954 17 00-26  
CHASSIS AND ENCLOSURES



# REPAIR PARTS

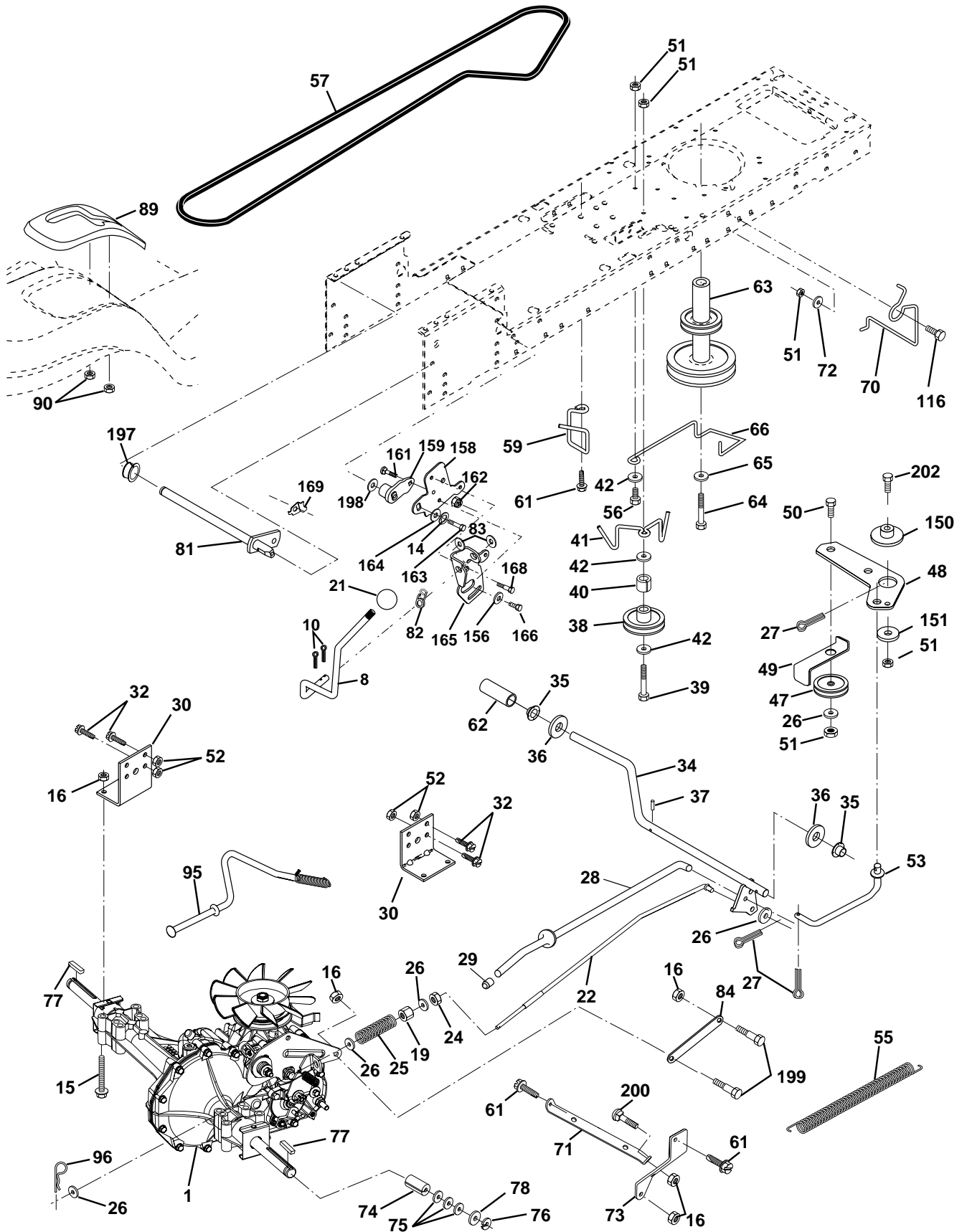
## TRACTOR - MODEL NO. YTH130 (HEYTH130J), PRODUCT NO. 954 17 00-26 CHASSIS AND ENCLOSURES

KEY NO.	PART NO.	DESCRIPTION
1	<b>532169830</b>	Chassis Stamping
2	<b>532169061</b>	Drawbar
3	<b>817060612</b>	Screw 3/8-16x3/4
5	532155272	Bumper Hood/Dash
9	<b>532171853</b>	Dash P/L M
10	872140608	Bolt Carriage 3/8-16 x 1
11	532155927	Panel Dash Lh
13	<b>532169195</b>	Panel Dash Rh
14	817490608	Screw Thdrol 3/8-16x1/2 Ty-tt
17	532165378	Hood LT/PL Husqvarna
18	532126938	Bumper Hood
20	532156437	Plate Mtg Battery Fuel Tank Fr
23	532124028	Bushing
25	819131312	Washer 13/32 X 13/16 X 12 Ga
26	873800600	Nut Lock Hex W/Ins 3/8-16 Unc
28	532165379	Grille LT/PL Husqvarna
29	532165380	Lens LT/PL Husqvarna
30	<b>532171854</b>	Fender Footrest STLT Pnt
31	532139976	Bracket Support Fender
37	817490508	Screw Thdrol 5/16-18 x 1/2 TYT
38	<b>532169834</b>	Bracket Asm Pivot Mower Rear
52	819091416	Washer 9/32 x 7/8 x 16 Ga.
53	532150067	Bracket Pnt. Pick off LT/PL Husqvarna
57	874780412	Bolt Hex 1/4-20 x 3/4
58	532150127	Air Duct Engine P/L
60	872140606	Bolt Rdhd Sqnk 3/8-16unc x 3/4
64	532154798	Dash Lower STLT
68	873510400	Nut Keps Hex 1/4-20 Unc
71	<b>873680400</b>	Nut Crownlock 1/4-20 Unc
74	873680600	Nut Crownlock 3/8-16 UNC
129	819091016	Washer 9/32 x 5/8 x 16 Ga.
134	532160219	Rod Support Hood LT/PL Husq.
142	532165867	Plate Reinforcement STLT
143	532154966	Bracket Swaybar Chassis
144	532154207	Bracket Pnt Footrest STLT
145	532156524	Rod Pivot Chassis/Hood
206	<b>532170165</b>	Bolt Shoulder 5/16-18 TT
207	<b>817670508</b>	Screw Thdrol 5/16-18 x 1/2 TYTT
208	<b>817670608</b>	Screw Thdrol 3/8-16 x 1/2 TYT BI
--	532005479	Plug Button

**NOTE:** All component dimensions given in U.S. inches  
1 inch = 25.4 mm

# REPAIR PARTS

TRACTOR - MODEL NO. YTH130 (HEYTH130J), PRODUCT NO. 954 17 00-26  
DRIVE



# REPAIR PARTS

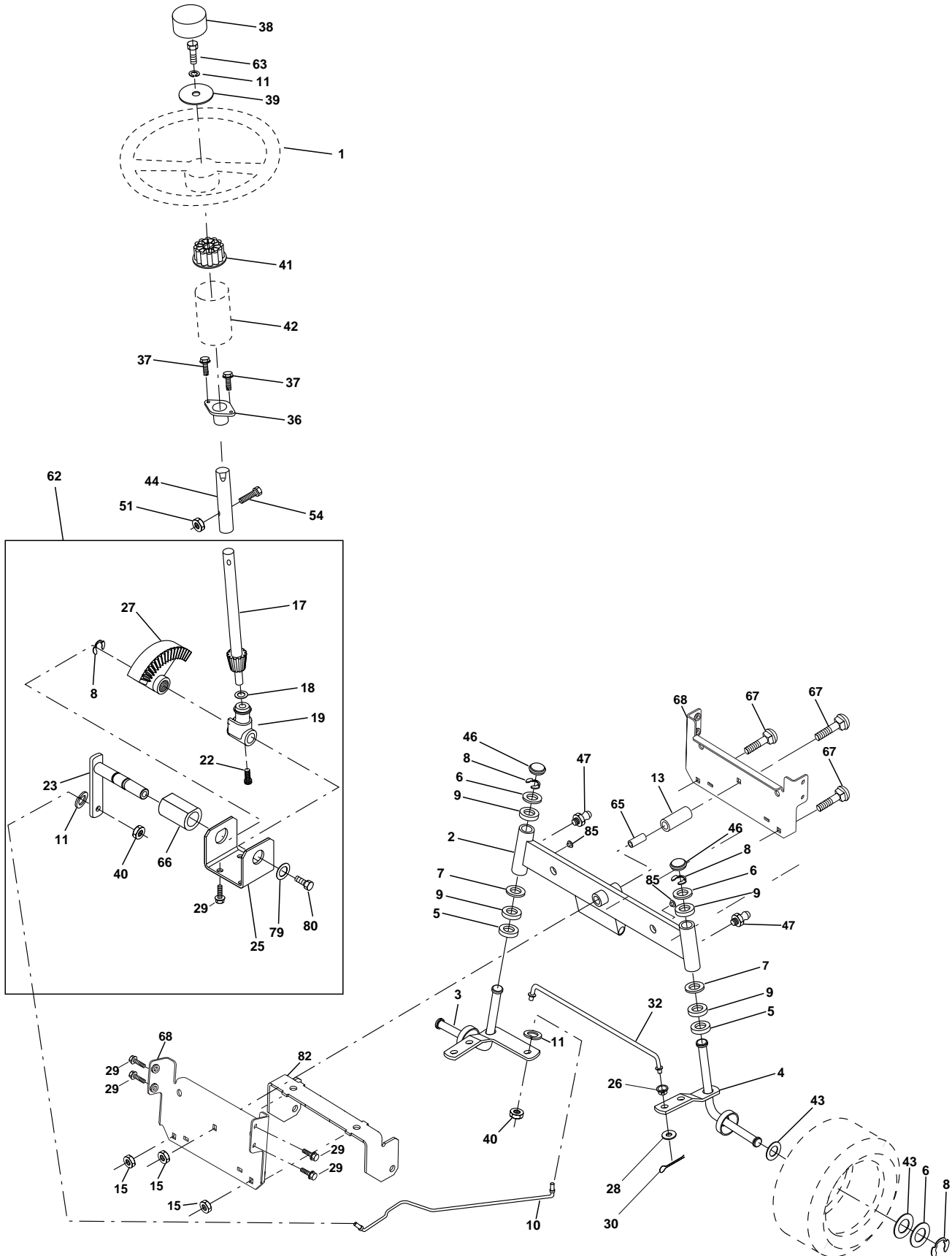
## TRACTOR - MODEL NO. YTH130 (HEYTH130J), PRODUCT NO. 954 17 00-26 DRIVE

KEY NO.	PART NO.	DESCRIPTION	KEY NO.	PART NO.	DESCRIPTION
1	-----	Transaxle Hydro Gr 314-0510 (Order parts from transaxle manufacturer)	64	871170764	Bolt Hex 7/16-20 x 4 Ga. 5
8	532165866	Rod Shift Fender STLT	65	810040700	Washer
10	876020416	Pin Cotter 1/8 x 1 CAD	66	532154778	Keeper Belt Engine
14	810040400	Washer Lock Hvy Helical 1/4	70	532134683	Guide Belt Mower Drive RH
15	<b>874490544</b>	Bolt Hex Flg Hd 5/16-18 X Gr.5	71	<b>532169183</b>	Strap Torque Lh Hydro
16	873800500	Nut Lock Hex W/Ins. 5/16-18 Unc P	72	819132012	Washer 13/32 x 1-1/4 x 12 Ga.
19	873800600	Nut Lock Hex W/Wsh 3/8-16 Unc	73	<b>532169182</b>	Strap Torque Rh Hydro
21	532121274	Knob, Duckhead	74	<b>532169496</b>	Spacer, Axle
22	<b>532169498</b>	Rod, Brake Hydro	75	532121749	Washer 25/32 x 1-1/4 x 16 Gauge
24	873350600	Nut	76	812000001	E-Ring
25	532106888	Spring, Brake Rod	77	532123583	Key, Square
26	819131316	Washer	78	532121748	Washer 25/32 x 1-5/8 x 16 Gauge
27	876020412	Pin Cotter 1/8 x 3/4 CAD.	81	<b>532165596</b>	Shaft Asm. Cross Hydro
28	532145204	Cap, Parking Brake	82	532165711	Spring Torsion T/A
29	532071673	Cap, Parking Brake	83	819171216	Washer 17/32 x 3/4 x 16 Ga.
30	<b>532169592</b>	Bracket, Transaxle	84	<b>532169594</b>	Link Transaxle
32	874760512	Bolt Hex Hd 5/16-18 Unc x 3/4	89	532166510	Console, Shift
34	532155071	Shaft, Foot Pedal	90	532124346	Nut Self-Thd wsh-Hd 1/4 Zinc
35	532120183	Bearing, Nylon	95	<b>532170201</b>	Control Asm Bypass Hydro
36	819211616	Washer	96	532124788	Retainer Spring 1" Zinc/Cad
37	532124963	Pin, Roll	116	872110610	Boulon 3/8-16 x 1.25
38	532131494	Pulley, Idler, Flat	150	532165850	Bushing Bellcrank Grd Drive
39	<b>872110622</b>	Bolt	151	819133210	Washer 13/32 x 2 x 10 Ga.
40	532124965	Spacer, Split	156	532166002	Washer Srrtd 5/16 ID x 1.0 x .125 Tk
41	532165838	Keeper, Belt Idler	158	532165589	Bracket Shift Mount
42	819131312	Washer 13/32 x 13/16 x 12 Gauge	159	532165494	Hub Tapered Flange Shift LT
47	532127783	Pulley, Idler, V-Groove	161	872140406	Bolt Rdhd Sqnk 1/4-20 x 3/4 Gr. 5
48	532154407	Bellcrank Clutch Grnd Drv Stl	162	873680400	Nut Crownlock 1/4-20 Unc
49	532123205	Retainer, Belt	163	874780416	Bolt Hex Fin 1/4-20 unc x 1 Gr. 5
50	874760624	Bolt	164	819091010	Washer 5/8 x .281 x 10 Ga
51	873680600	Nut	165	532165623	Bracket Pivot Lever
52	873680500	Nut Crownlock 5/16-18	166	532166880	Screw 5/16-18 x 5/8 TT Yellow
53	532105710	Link, Clutch	168	532165492	Bolt Shoulder 5/16-18 x .561 TT
55	532105709	Spring, Return, Clutch	169	532165580	Plate Fastening Cross Shf. STLT/CRD
56	874760620	Bolt Fin Hex 3/8-16 UNC x 1-1/4	197	<b>532169613</b>	Nyliner Snap-In 5/8" ID
57	531006042	V-Belt, Ground Drive	198	<b>532169593</b>	Washer Nyl 7/8 ID x .105 HYD CRD
59	<b>532169595</b>	Keeper, Center Span	199	<b>532169612</b>	Bolt Shoulder 5/16-18 Unc
61	<b>817060612</b>	Screw 3/8-16 x 3/4	200	<b>532078051</b>	Bolt Rdhd Sq Neck Unc
62	532123533	Cover, Pedal	202	<b>872110612</b>	Bolt Carr Sh 3/8-16 x 1-1/2 Gr. 5
63	532140186	Pulley, Clutch Eng			

**NOTE:** All component dimensions given in U.S. inches  
1 inch = 25.4 mm

# REPAIR PARTS

TRACTOR - MODEL NO. YTH130 (HEYTH130J), PRODUCT NO. 954 17 00-26  
STEERING ASSEMBLY





# REPAIR PARTS

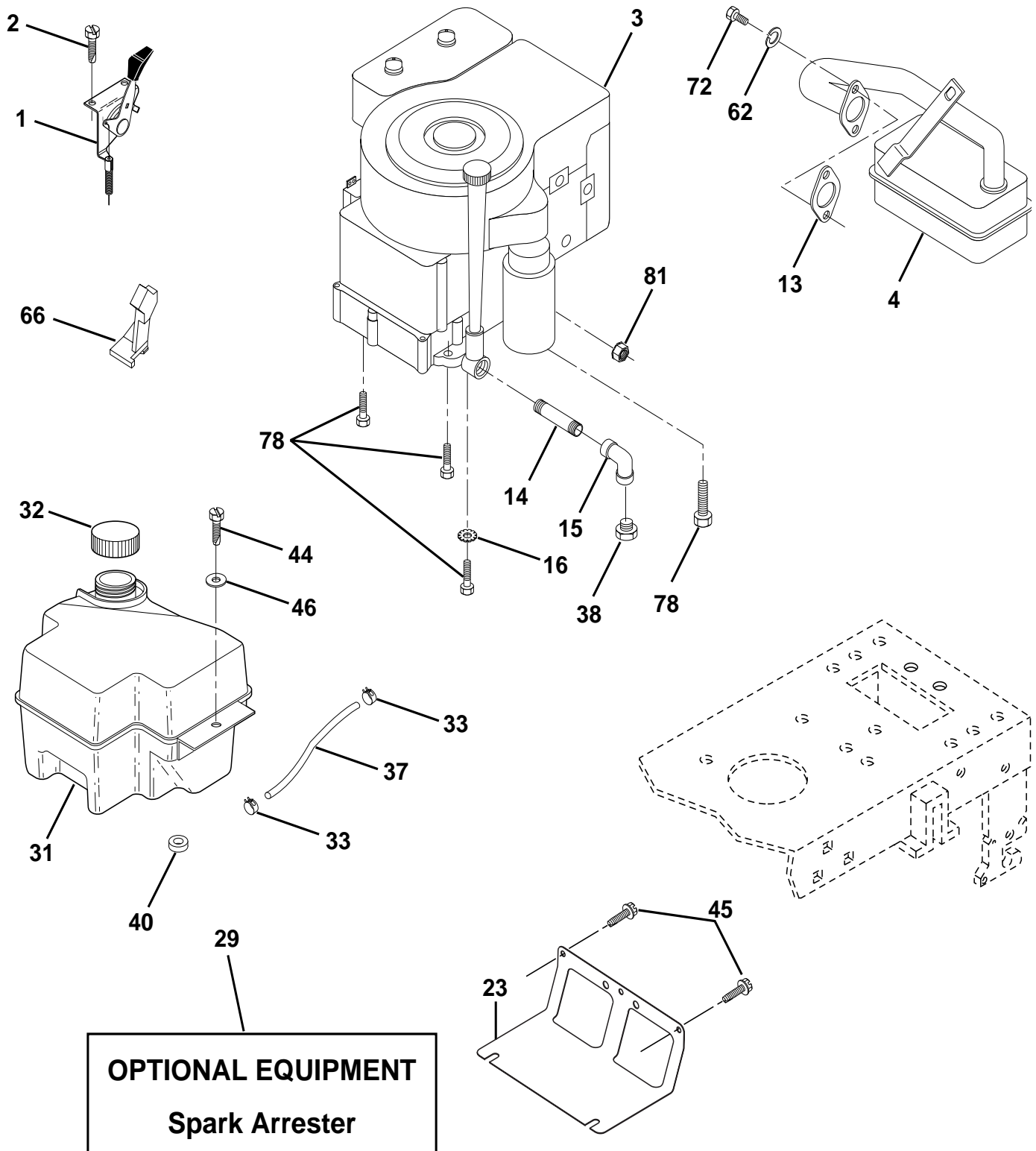
TRACTOR - MODEL NO. YTH130 (HEYTH130J), PRODUCT NO. 954 17 00-26  
STEERING ASSEMBLY

KEY NO.	PART NO.	DESCRIPTION
1	<b>532166627</b>	Wheel Steering
2	532154427	Axle Asm STMP Dropped STL
3	<b>532169840</b>	Spindle Asm LH
4	<b>532169839</b>	Spindle Asm RH
5	532124931	Bearing Race Thrust Harden
6	532121748	Washer 25/32 X 1-5/8 X 16 Ga
7	819272016	Washer 27/32 X 1-1/4 X 16 Ga
8	812000029	Ring Klip #t5304-75
9	532124937	Bearing Col Strg Blk
10	<b>532169832</b>	Link Drag
11	810040600	Washer Lock Hvy Hlcl Spr 3/8
13	<b>532136518</b>	Spacer Brg Axle Front
15	<b>532145212</b>	Nut Hexflange Lock
17	532156546	Shaft Asm Strg
18	532057079	Washer Thrust 515x 750x 033
19	532160395	Support Shaft
22	532165857	Screw Hex Wsh Hd Torx
23	532165851	Shaft Asm Pittman
25	532154406	Bracket Steering
26	532126847	Bushing Link Drag Blk LR
27	532136874	Gear Sector
28	819131416	Washer 13/32 X 7/8 X 16 Ga
29	<b>817060612</b>	Screw 3/8-16x3/4
30	876020412	Pin Cotter 1/8 X 3/4 Cad
32	532130465	Rod Tie Wire Form 19 75 Mech
36	532155099	Bushing Strg
37	532152927	Screw
38	<b>532166626</b>	Insert Cap Strg Wh
39	<b>819132411</b>	Washer 13/32 X 1-1/20 x 11 Ga
40	532124701	Lock nut
41	<b>532159945</b>	Adaptor Wheel Strg
42	<b>532169634</b>	Boot Steering Shaft
43	532121749	Washer 25/32 X 1 1/4 X 16 Ga
44	532153720	Extension Steering Shaft LR/LT
46	532121232	Cap Spindle Fr Top Blk
47	532124836	Fitting Grease
51	873800500	Nut Lock Hex w/Ins 5/16-18
54	874780520	Bolt Fin Hex 5/16-18 Unc x 1-1/4
62	532167902	Kit, Steering Assembly Svc
63	874780616	Bolt Fin Hex 3/8-16unc x 1 Gr. 5
65	<b>532160367</b>	Spacer Brace Axle
66	532154404	Bearing Arm Pittman
67	<b>872110618</b>	Bolt Rdhd Sqnk 3/8-16 x 2-1/4
68	<b>532169827</b>	Axle, Brace
79	819132012	Washer 13/32 x 1-1/4 x 12 Ga
80	874950612	Bolt Hex Nylon 3/8-16 x 3/4
82	<b>532169835</b>	Bracket Susp Chassis Front
85	<b>532133835</b>	Fastner Christmas Tree

**NOTE:** All component dimensions given in U.S. inches.  
1 inch = 25.4 mm.

# REPAIR PARTS

TRACTOR - MODEL NO. YTH130 (HEYTH130J), PRODUCT NO. 954 17 00-26  
ENGINE



# REPAIR PARTS

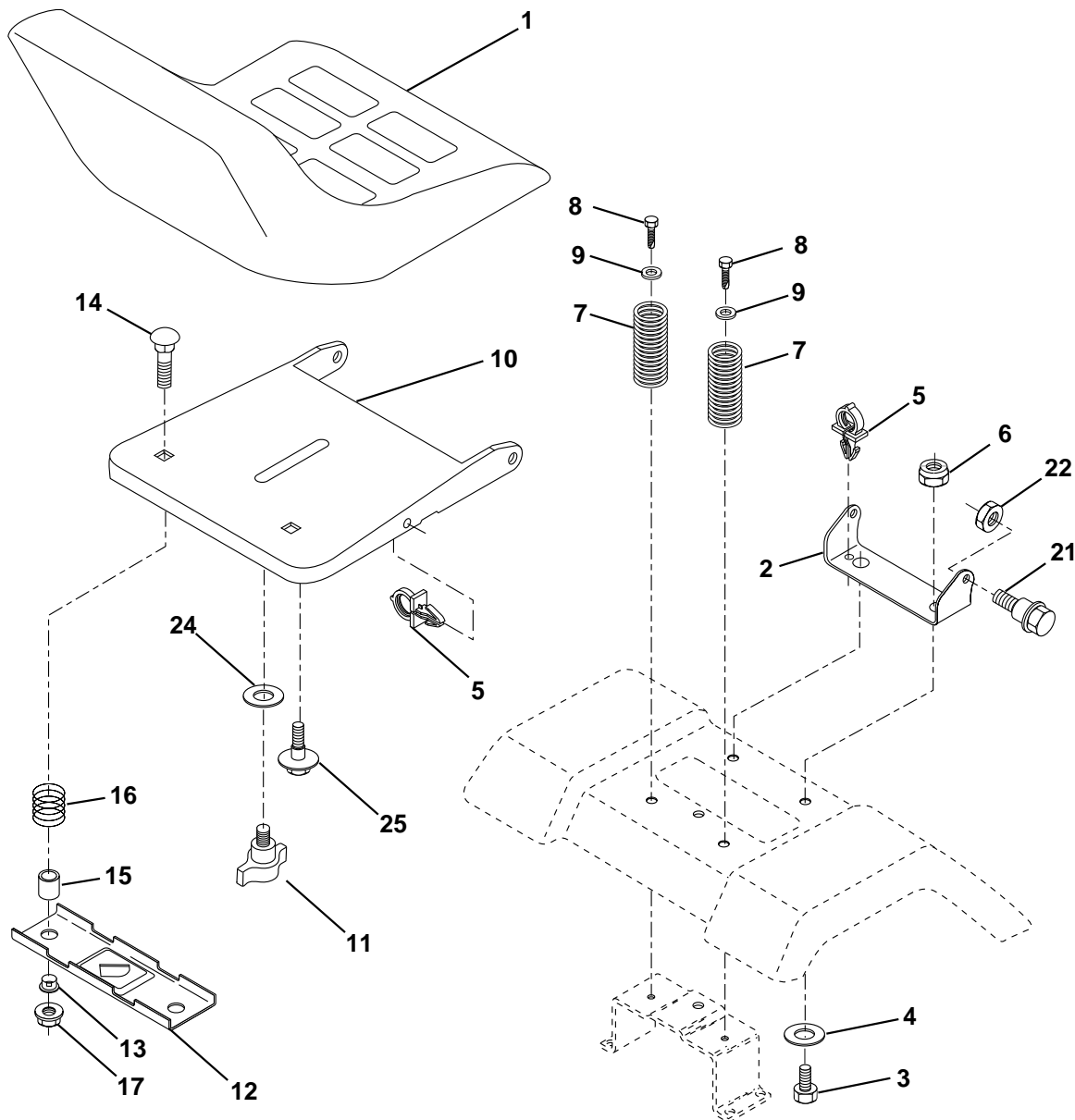
TRACTOR - MODEL NO. YTH130 (HEYTH130J), PRODUCT NO. 954 17 00-26  
ENGINE

KEY NO.	PART NO.	DESCRIPTION
1	532141359	Control Th/ch 20 22 LH Flag
2	817720410	Screw Hex Thd Cut 1/4-20x5/8 T
3	-----	Engine B&S Model No. 28R707 (Order Parts From Engine Manufacturer)
4	532137348	Muffler LT B&S 12/12.5/13HP
13	<b>532165291</b>	Gasket Eng 1 313 Id Tin Plated
14	813280324	Nipple Pipe 3/8 Npt X 3"
15	813200300	Elbow Std 90 Degree 3/8-18 Npt
16	811050600	Washer Lock Ext Tooth 3/8
23	<b>532169837</b>	Shield Browning/Debris Guard
29	532137180	Kit Spark Arrestor (Flat Scrn)
31	532161911	Tank Fuel Front 2 00
32	532140527	Cap Asm Fuel W/sym Vented
33	532123487	Clamp Hose Black
37	532137040	Line Fuel 20"
38	-----	Plug Oil Drain (Order From Engine Manufacturer)
40	532124028	Bushing Snap Nyl Blk Fuel Line
44	817490412	Screw Hexwsh Thdrol 1/4-20x3/4
45	<b>817060612</b>	Screw 3/8-16 x 3/4 Smgml Tap/R
46	819091416	Washer 9/32 X 7/8 X 16 Ga
62	810040500	Washer Lock Hvy Hlcl Spr 5/16
66	532127951	Stop Throttle 3000 RPM
72	<b>817070510</b>	Screw Hexhd Cap 5/16-18x 5/8
78	<b>817060620</b>	Screw 3/8-16x1-1/4 Smgml Tap/R
81	532128861	Nut Flange 1/4-20 Starter Nut

**NOTE:** All component dimensions given in U.S. inches  
1 inch = 25.4 mm

# REPAIR PARTS

TRACTOR - MODEL NO. YTH130 (HEYTH130J), PRODUCT NO. 954 17 00-26  
SEAT ASSEMBLY



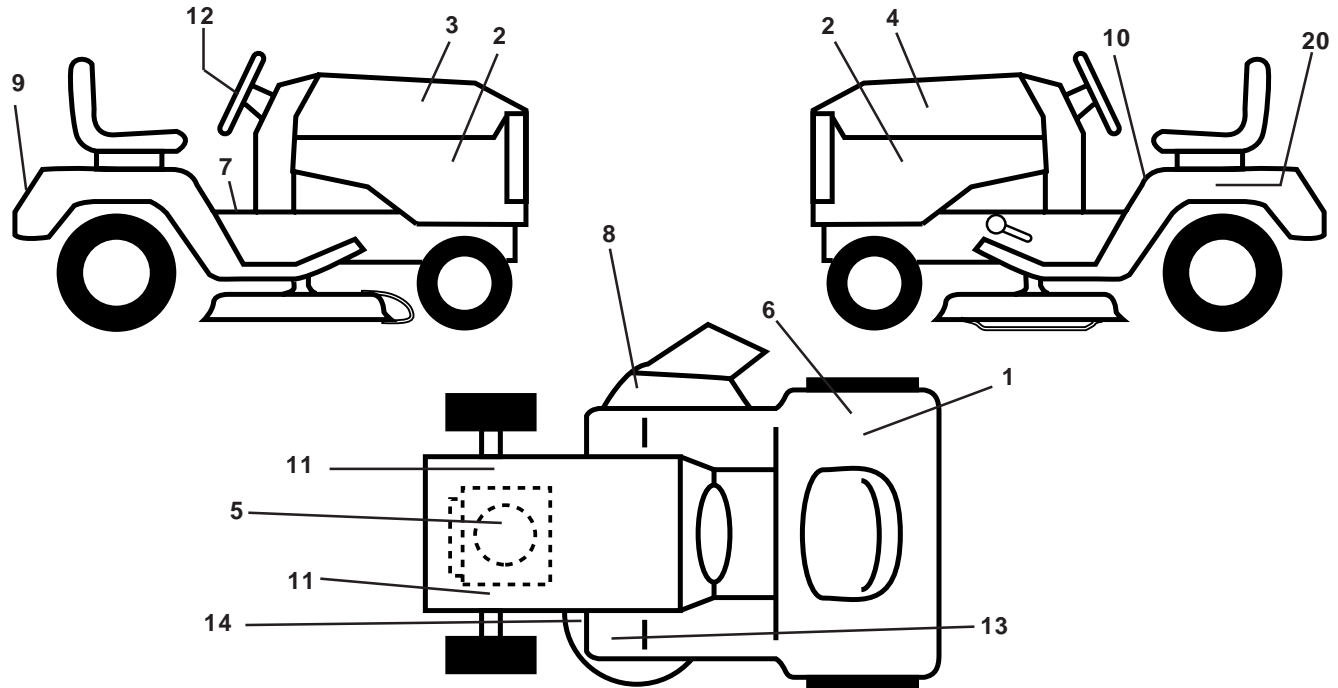
KEY NO.	PART NO.	DESCRIPTION
1	532140839	Seat
2	532140551	Bracket Pivot Seat 8 720
3	874760616	Bolt Fin Hex 3/8-16unc X 1
4	819131610	Washer 13/32 X 1 X 10 Ga
5	532145006	Clip Push-In
6	873800600	Nut Hex w/Ins. 3/8-16 Unc
7	532124181	Spring Seat Cprsn 2 250 Blk Zi
8	<b>817000616</b>	Screw 3/8-16 X 1-1/2 Smgml Tap/R Z
9	819131614	Washer 13/32 X 1 X 14 Ga.
10	532155925	Pan Seat
11	532166369	Knob Seat Adj. Wingnut
12	532121246	Bracket Mounting Switch

KEY NO.	PART NO.	DESCRIPTION
13	532121248	Bushing Snap Blk Nyl 50 Id
14	872050412	Bolt Rdhd Sqnk 1/4-20x1-1/2
15	532134300	Spacer Split 28x 96 Yel Zinc
16	532121250	Spring Cprsn 1 27 Blk Pnt
17	532123976	Nut Lock 1/4 Lge Flg Gr 5 Zinc
21	<b>532171852</b>	Bolt Shoulder 5/16-18 Unc-2a Blk DA
22	873800500	Nut Hex Lock W/Ins 5/16-18
24	<b>819171612</b>	Washer 17/32 X 1 X 12 Ga.
25	532127018	Bolt Shoulder 5/16-18 X 62

**NOTE:** All component dimensions given in U.S. inches.  
1 inch = 25.4 mm

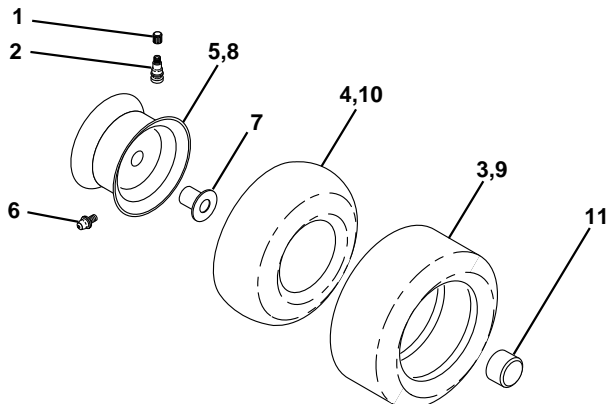
# REPAIR PARTS

TRACTOR - MODEL NO. YTH130 (HEYTH130J), PRODUCT NO. 954 17 00-26  
DECALS



KEY NO.	PART NO.	DESCRIPTION	KEY NO.	PART NO.	DESCRIPTION
1	532126187	Decal 100 DBA	13	532159737	Decal Brake/Clutch Symbol LT
2	532159713	Decal Panel Side B&S Logo	14	532160396	Decal V-Belt Schematic
3	532151478	Decal Hood RH	20	532145005	Decal Bat Dan/Psn
4	532151480	Decal Hood LH	--	532162598	Decal Drawbar Load Limit
5	<b>532170848</b>	Decal HP Engine	--	<b>532169210</b>	Decal By-Pass Lt Hydro
6	532145437	Decal Euro Stand CE	--	<b>532171284</b>	Pad Footrest LH STLT
7	532140837	Decal Saddle Brake	--	<b>532171285</b>	Pad Footrest RH STLT
8	532145494	Decal Mower Cutfingher Symbol	--	532138311	Decal Handle Lft Height Adjust
9	532150617	Decal Fender Husq	--	<b>532171816</b>	Manual Operator's (Euro.)
10	532145498	Decal Read Owner's Manual Syms.	--	<b>532171817</b>	Manual Operator's (Scan.)
11	532159736	Decal Chassis Hot Muffler	Available accessories not included with tractor:		
12	<b>532170564</b>	Decal Wheel Steering	--	CE42	Grass Catcher
			--	MK420	Mulch Kit w/Blades

## WHEELS & TIRES

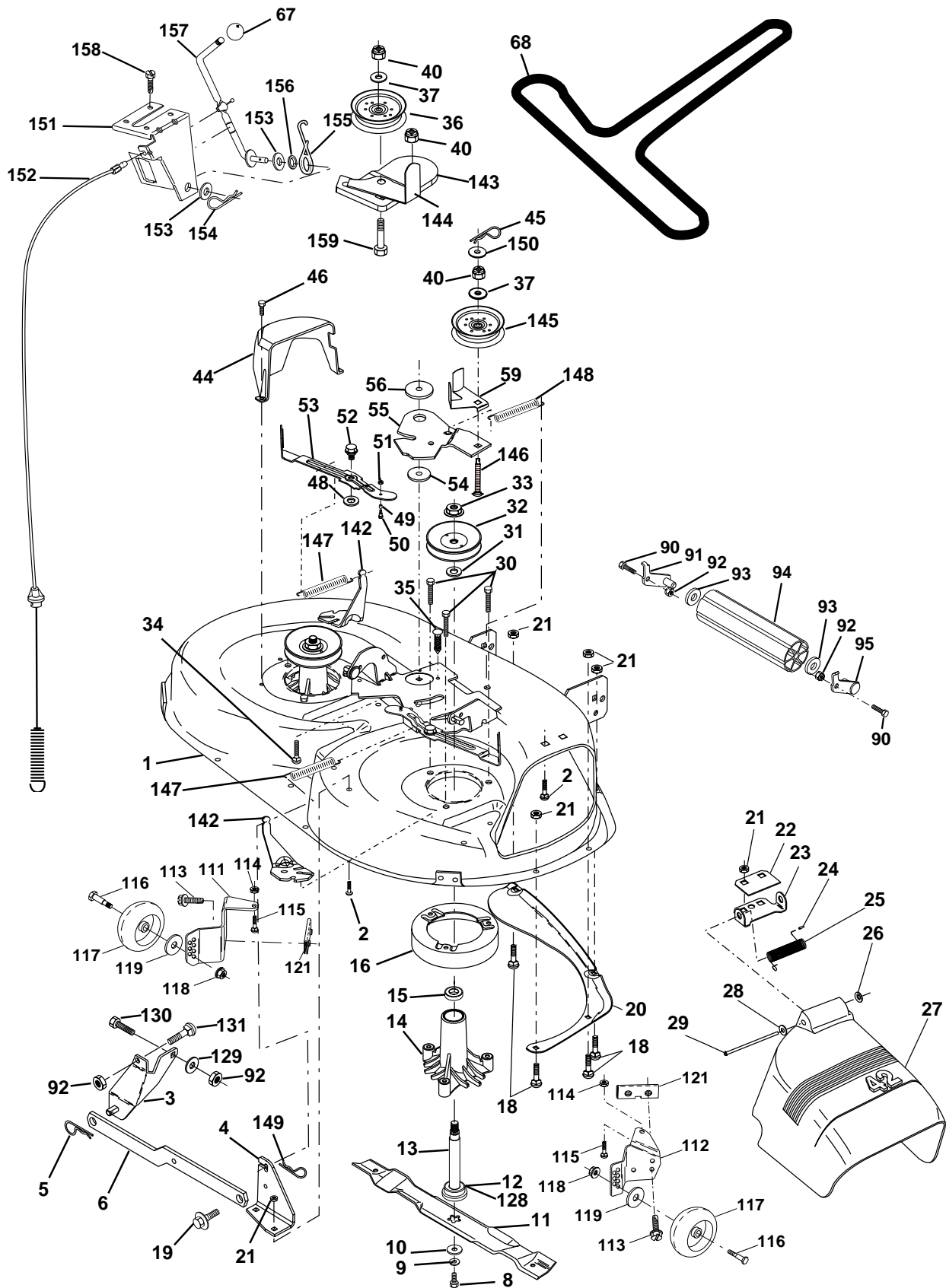


KEY NO.	PART NO.	DESCRIPTION
1	532059192	Cap Valve Tire
2	532065139	Stem Valve
3	532106222	Tire F Ts 15 X 6 0 - 6 Service
4	532059904	Tube Front (Service Item Only)
5	532138336	Rim Asm 6"front Silver Service
6	532124957	Fitting Grease (Front Wheel Only)
7	532124959	Bearing Flange (Front Wheel Only)
8	532138337	Rim Asm 8"rear Silver Service
9	532122082	Tire R Ts 20x10-8 C Service
10	532124926	Tube Rear (Service Item Only)
11	532104757	Cap Axle Blk 1 50 X 1 00
--	532144334	Sealant, Tire ( 10 oz. Tube)

**NOTE:** All component dimensions given in U.S. inches  
1 inch = 25.4 mm

# REPAIR PARTS

TRACTOR - MODEL NO. YTH130 (HEYTH130J), PRODUCT NO. 954 17 00-26  
MOWER DECK



# REPAIR PARTS

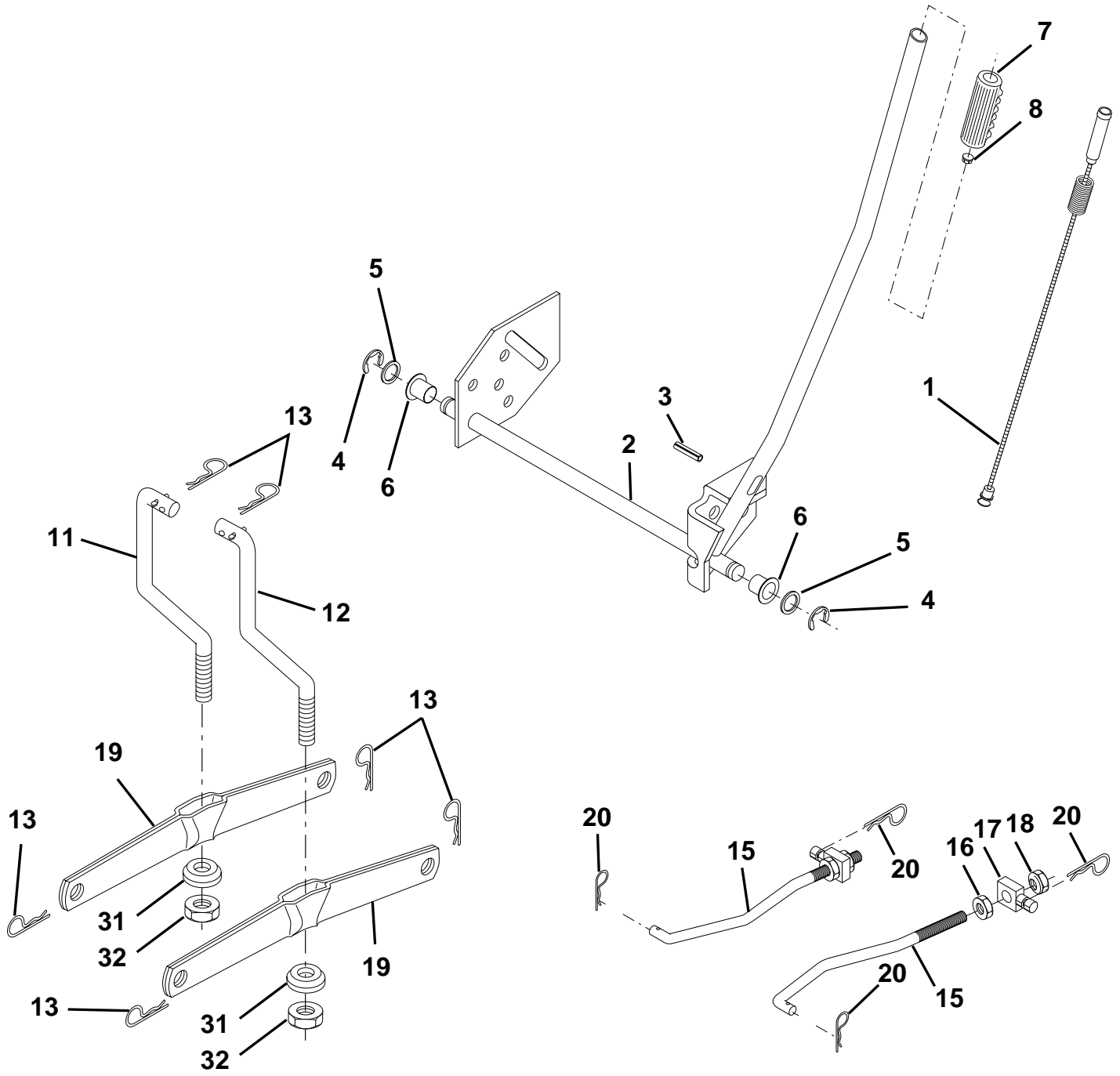
## TRACTOR - MODEL NO. YTH130 (HEYTH130J), PRODUCT NO. 954 17 00-26 MOWER DECK

KEY NO.	PART NO.	DESCRIPTION	KEY NO.	PART NO.	DESCRIPTION
1	<b>532165892</b>	Deck Asm MWR 42"weldment	67	<b>532106932</b>	Knob Rd 3/8-16 Plstc Thds Blk
2	872140506	Bolt Rdhd Sqnk 5/16-18unc X3/4	68	<b>531007562</b>	V-Belt Mower 42"
3	532138017	Bracket Asm Fr Sway Bar 38/42	90	874760616	Bolt Fin Hex 3/8-16 UNC x 1
4	<b>532165460</b>	Bracket Asm Deck 42"sway Bar	91	532132274	Bracket Asm Noseroller LH
5	532124670	Retainer Spring	92	873800600	Nut Lock Hex W/Ins 3/8-16 Unc
6	532130832	Arm Suspension Rear	93	819171416	Washer 17/32 x 7/8 x 16 Ga.
8	532850857	Bolt 3/8 - 24 X 1.25 Gr 8	94	532132264	Roller Nose 38 & 42
9	810030600	Washer Lock Hvy 3/8	95	532132273	Bracket Asm Noseroller RH
10	532140296	Washer Hard Blade Mower Vented	111	532155197	Bracket Wheel Gauge LH 42" Deck
11	531005085	Blade Mower 42"	112	532155198	Bracket Gauge Wheel RH 42" Deck
12	532129895	Bearing Ball #6024 (Mandrel)	113	<b>817060512</b>	Screw 5/16-18 X 3/4
13	532137645	Shaft Asm W/lower Bearing	114	873510500	Nut Keps 5/16-18 UNC
14	532128774	Housing Mandrel Vented	115	872110504	Bolt Carriage 5/16-UNC x 1/2
15	532110485	Bearing Ball Mandrel	116	<b>532124842</b>	Bolt Shoulder
16	532140329	Stripper Mower Vented	117	<b>532165746</b>	Wheel Gauge
18	872140505	Bolt Rdhd Sqnk 5/16-18 X 5/8	118	873930600	Nut Centerlock 3/8-16 UNC
19	532132827	Bolt Shoulder	119	819121414	Washer 3/8 x 7/8 x 14 Ga.
20	532159770	Baffle Vortex 42	121	532143723	Bracket Extruded Guage Wheel
21	873680500	Nut Crownlock 5/16-18 UNC	128	532153390	Washer Felt
22	532134753	Stiffener Bracket 42"deck	129	819131312	Washer 13/32 x 13/16 x 12 Ga.
23	532131267	Bracket Deflector Mower 42"	130	874780616	Bolt Fin Hex 3/8-16 UNC x 1 Gr. 5
24	532105304	Cap Sleeve 80x 112 Blk Mower	131	872140608	Bolt Rdhd Sqnk 3/8-16 x 1
25	532123713	Spring Torsion Deflector 2 52	142	<b>532165890</b>	Arm Spring Brake Mower
26	532110452	Nut Push Phos & Oil	143	<b>532157109</b>	Bracket Arm Idler 42"
27	<b>532171859</b>	Shield Deflector Mower 42" Blk	144	<b>532158634</b>	Keeper Belt 42" Clutch Idler
28	819111016	Washer 11/32 X 5/8 X 16 Ga	145	<b>532165888</b>	Pulley Idler Flat
29	532131491	Rod Hinge 42"6 75 Wlg	146	<b>532165891</b>	Bolt Carriage Idler
30	532157722	Screw Thd Rolling Washer Head	147	<b>532131335</b>	Spring Extension
31	532129963	Washer Spacer Mower Vented	148	<b>532169022</b>	Spring Return Idler
32	532153535	Pulley Mandrel 42"	149	<b>532169898</b>	Retainer Spring Yellow
33	532137266	Nut 9/16 Toplock Flng Oil Dip	150	<b>819091216</b>	Washer 9/32 x 3/4 x 16 Ga.
34	872110614	Bolt Rdhd 3/8-16uncx1-3/4 Gr5	151	<b>532169670</b>	Bracket Clutch Cable
35	532133835	Fastner Christmas Tree	152	<b>532169676</b>	Clutch Cable 42"
36	532131494	Pulley Idler Flat 3 060	153	<b>532169674</b>	Washer Flat 3/8" Type B
37	819131316	Washer 13/32 X 13/16 X 16	154	<b>532169675</b>	Spring Retainer
40	873680600	Nut Crownlock 3/8-16 UNC	155	<b>532169671</b>	Spring Retention Lvr Cltch Cab
44	532140088	Guard Mandrel LH Black	156	<b>532169672</b>	Spacer Clutch Cable
45	532124788	Spring Retainer 1" Zinc/cad	157	<b>532169669</b>	Rod Clutch Cable 3/8"
46	532137729	Screw Hex Thd Cut 1/4-20x5/8 T	158	<b>817720410</b>	Screw Hex Thd Cut 1/4-20 x 5/8
48	532133944	Washer Hardened Smaller	159	<b>872140614</b>	Bolt Rdhd Sqn 3/8-16 Unc x 1-3/4
49	532155066	Roller Asm Cam Follower 42"dec	--	532130794	Mandrel Asm Service (Includes Key
50	532131340	Bolt Shldr 10-24 Zinc Gr 5 42"			Nos. 8-10, 12-15, 31 and 33)
51	532069180	Nut Lock #10-24 Unc	--	<b>532171491</b>	Deck Serv 42" HP S Bar Mult-Lang
52	532139888	Bolt Shoulder 5/16-18 Unc Blkz			(Standard Deck - Order noseroller
53	532131845	Arm Asm Pad Brake			and gauge wheel components
54	532133943	Washer Hardened			separately Key Nos. 90-95 and 111-
55	532155046	Arm Idler 42"mower LT/YT			120)
56	<b>532165723</b>	Spacer Retainer Mower			
59	532141043	Guard TUV Idler			

**NOTE:** All component dimensions given in U.S. inches  
1 inch = 25.4 mm

# REPAIR PARTS

TRACTOR - MODEL NO. YTH130 (HEYTH130J), PRODUCT NO. 954 17 00-26  
MOWER LIFT





# REPAIR PARTS

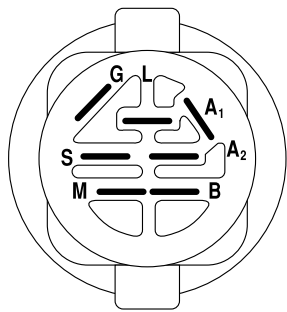
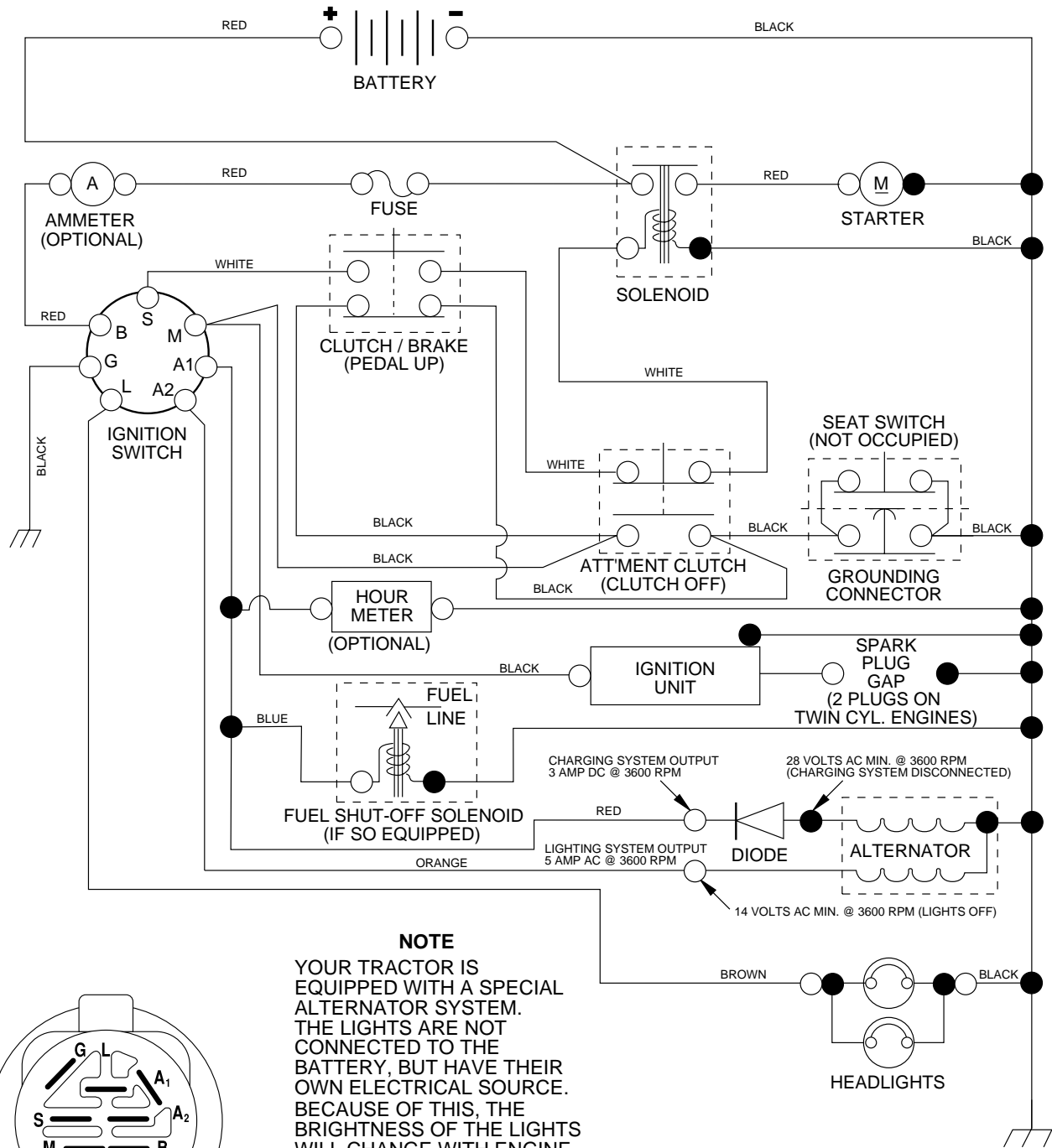
TRACTOR - MODEL NO. YTH130 (HEYTH130J), PRODUCT NO. 954 17 00-26  
MOWER LIFT

KEY NO.	PART NO.	DESCRIPTION
1	532159460	Wire Asm Inner Sprg w/Plunger LT
2	532159471	Shaft Asm Lift
3	532105767	Pin Groove
4	812000002	E Ring #5133-62
5	819211621	Washer PLTD 21/32 X 1 X 21 ga
6	532120183	Bearing Nylon Blk 629 Id
7	532125631	Grip Handle Fluted
8	532124526	Button Plunger Black
11	532139865	Link Lift LH
12	532139866	Link Lift RH
13	532124670	Retainer Spring
15	<b>532167253</b>	Link Front
16	873350800	Nut Jam Hex 1/2-13 Unc
17	532130171	Trunnion Blk Zinc
18	<b>873800800</b>	Nut Lock w/wsh 1/2-13 Unc
19	532139868	Arm Suspension Rear
20	532163552	Spring, Retainer
31	532140302	Bearing Pvt. Lift Spherical
32	873540600	Nut Crownlock 3/8-24

**NOTE:** All component dimensions given in U.S. inches  
1 inch = 25.4 mm

# REPAIR PARTS

## TRACTOR - MODEL NO. YTH130 (HEYTH130J), PRODUCT NO. 954 17 00-26 SCHEMATIC



**IGNITION SWITCH**

POSITION	CIRCUIT	"MAKE"
OFF	M+G+A1	NONE
RUN/LIGHT	B+A1	A2+L
RUN	B+A1	NONE
START	B + S + A1	NONE

**NOTE**  
YOUR TRACTOR IS EQUIPPED WITH A SPECIAL ALTERNATOR SYSTEM. THE LIGHTS ARE NOT CONNECTED TO THE BATTERY, BUT HAVE THEIR OWN ELECTRICAL SOURCE. BECAUSE OF THIS, THE BRIGHTNESS OF THE LIGHTS WILL CHANGE WITH ENGINE SPEED. AT IDLE THE LIGHTS WILL DIM. AS THE ENGINE IS SPEEDED UP, THE LIGHTS WILL BECOME THEIR BRIGHTEST.

### WIRING INSULATED CLIPS

**NOTE:** IF WIRING INSULATED CLIPS WERE REMOVED FOR SERVICING OF UNIT, THEY SHOULD BE REPLACED TO PROPERLY SECURE YOUR WIRING.

NON-REMOVABLE CONNECTIONS

REMOVABLE CONNECTIONS