

YTH180

Spare parts

Ersatzteile

Pièces détachées

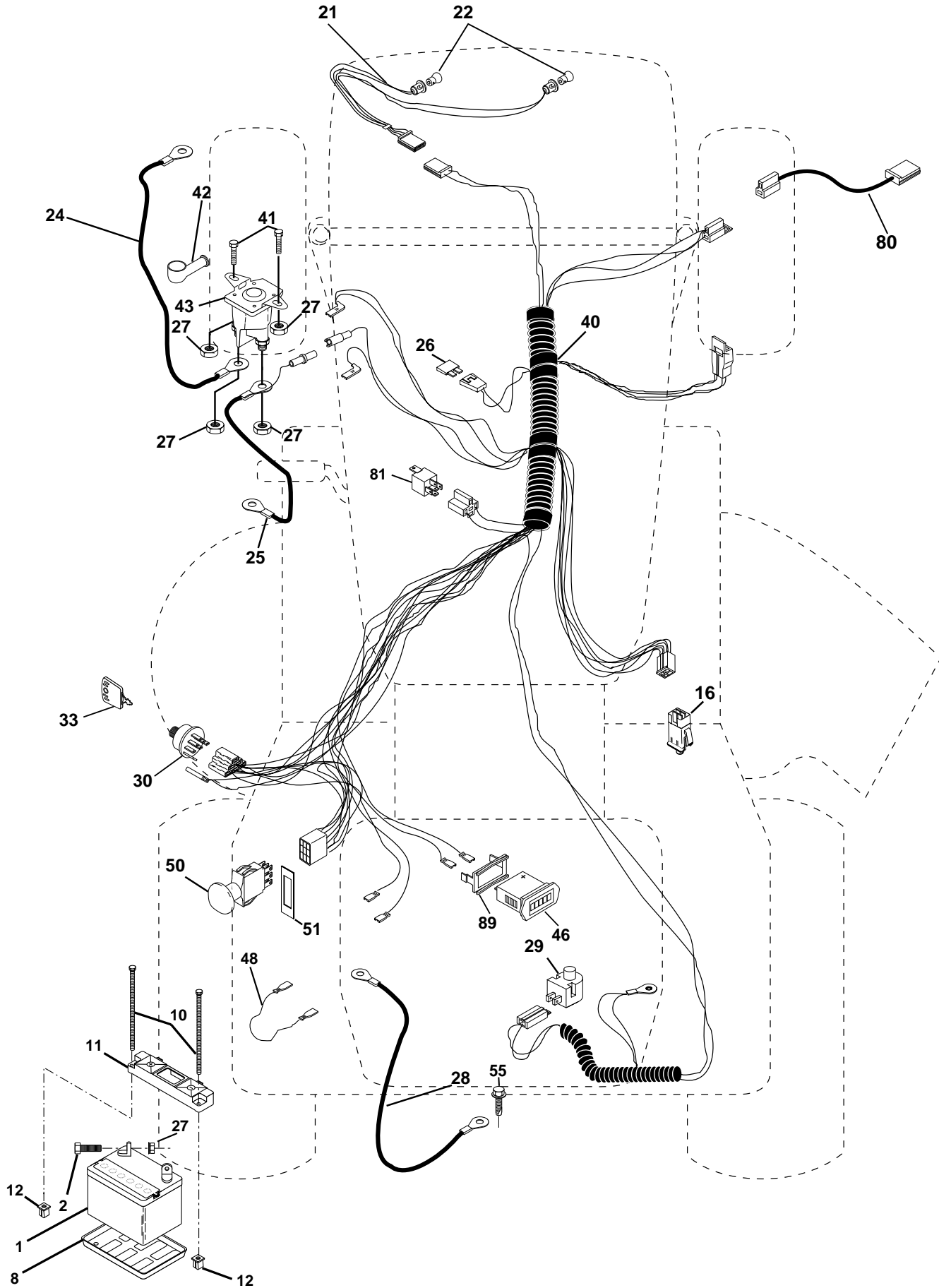
Reserve onderdelen

Repuestos

Reservdelar

REPAIR PARTS

TRACTOR - MODEL NO. YTH180 (HEYTH180F), PRODUCT NO. 954 17 00-23
ELECTRICAL



REPAIR PARTS

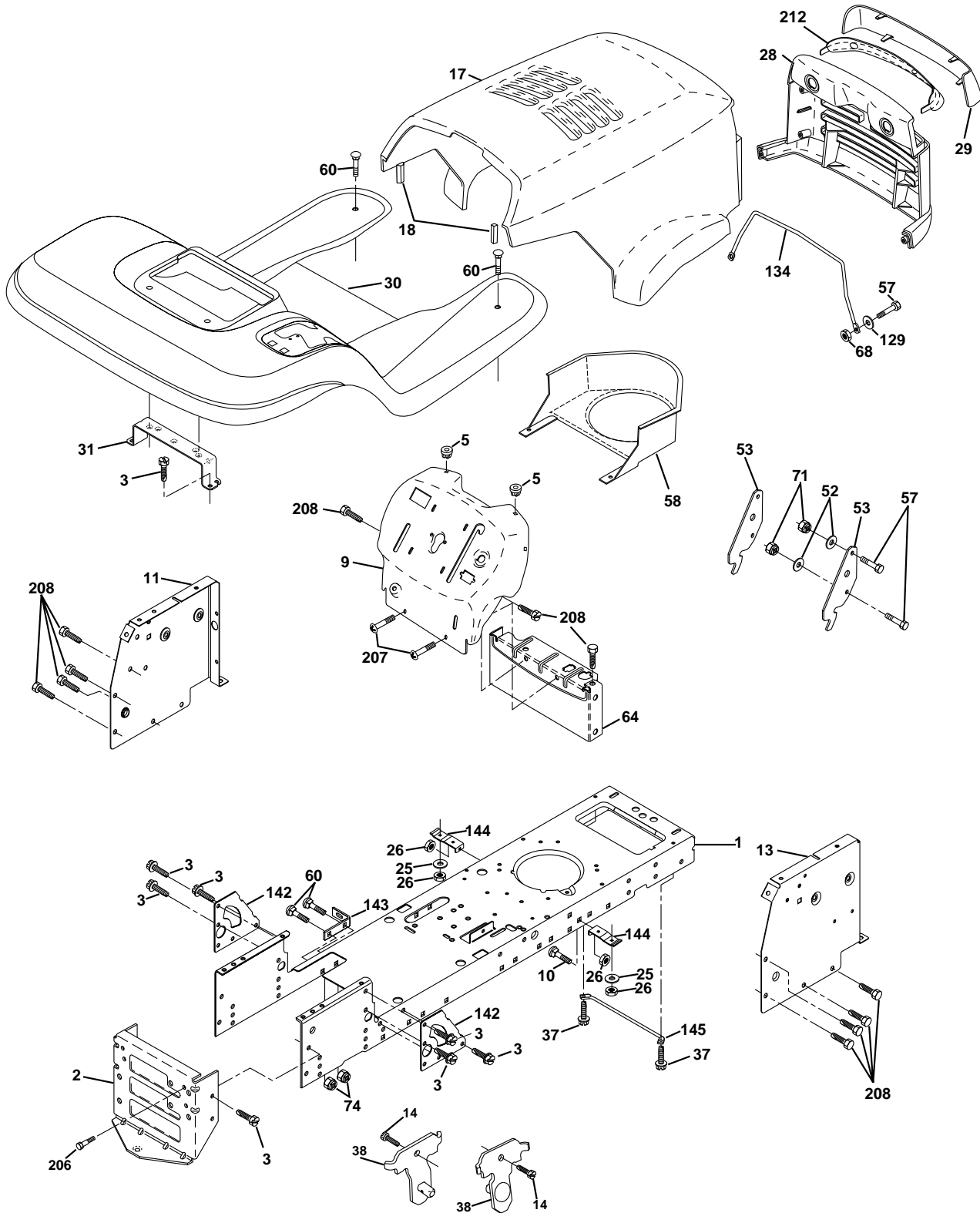
TRACTOR - MODEL NO. YTH180 (HEYTH180F), PRODUCT NO. 954 17 00-23
ELECTRICAL

KEY NO.	PART NO.	DESCRIPTION
1	532163465	Battery 12 VOLT 28 AMP
2	874760412	Bolt Hex Hd 1/4-20unc X 3/4
8	532124886	Tray Battery 7.80 x 5.25 Blk
10	532145211	Bolt Btr Frt 1/4-20 x 7.5 Zinc
11	532150109	Holddown Battery Front Mount
12	532145769	Nut Push Nylon 1/4" Battery Frt
16	532153664	Switch Interlock Push-In
21	532166181	Harness Asm Light W/4152J
22	532004152	Bulb Light #1156
24	532124780	Cable Battery 6 Ga 11"red
25	532146148	Cable Battery 6 Ga W/16 Ga Wire 22"
26	532175158	Fuse 20 AMP
27	873510400	Nut Keps hex 1/4-20 Unc
28	532145491	Cable Ground 6 Ga 21" Black
29	532160784	Switch Plunger Normal Op Olive
30	532175566	Switch Ignition
33	532140401	Key Ign Molded Generic
40	532170221	Harness Ign.
41	871110408	Bolt Hex Hd. Fin 1/4-20 x 1/2 Gr. 5
42	532131563	Cover Terminal Red
43	532175141	Solenoid
46	532169635	Hourmeter Snap-In
48	532140844	Adapter Ammeter Rectangular
50	532174651	Switch PTO
51	532140405	Ring Retainer PTO
55	817490508	Screw Thdrol 5/16-18 x 1/2
80	532146685	Harness Clutch Evx
81	532109748	Relay Asm.
89	532169639	Bracket Snap-In Hourmeter

NOTE: All component dimensions given in U.S. inches
1 inch = 25.4 mm.

REPAIR PARTS

TRACTOR - MODEL NO. YTH180 (HEYTH180F), PRODUCT NO. 954 17 00-23
ENCLOSURES



REPAIR PARTS

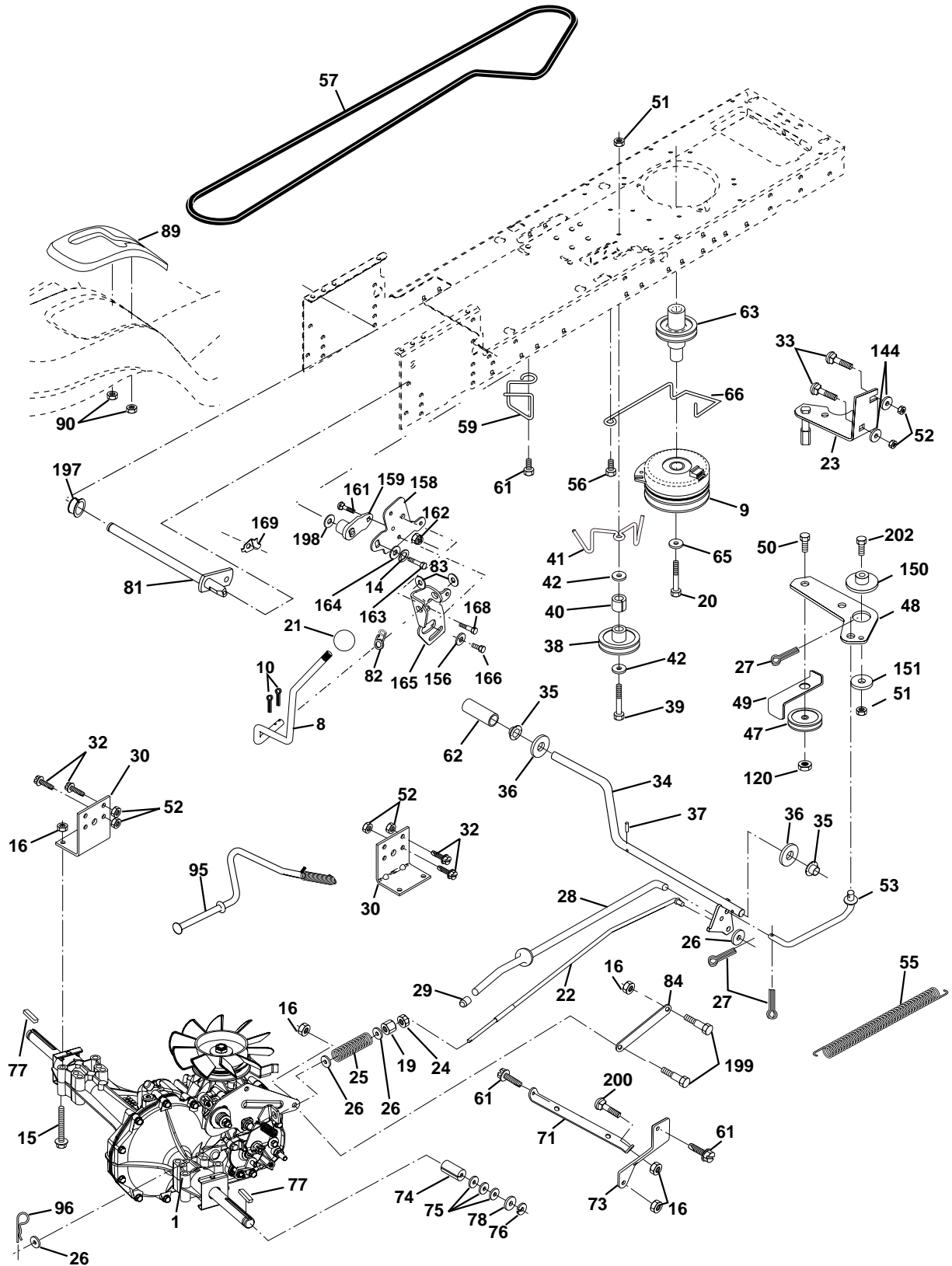
TRACTOR - MODEL NO. YTH180 (HEYTH180F), PRODUCT NO. 954 17 00-23
ENCLOSURES

KEY NO.	PART NO.	DESCRIPTION
1	532174619	Chassis Stl Stamping
2	532176554	Drawbar
3	817060612	Screw 3/8-16x3/4
5	532155272	Bumper Hood/Dash
9	532171924	Dash P/L
10	872140608	Bolt Carriage 3/8-16 x 1
11	532155927	Panel Dash Lh
14	817490608	Screw Thdrol 3/8-16 x 1/2
13	532172106	Panel Dash Rh
17	532165378	Hood LT/PL Husqvarna
18	532126938	Bumper Hood
20	532156437	Plate Mtg Battery Fuel Tank Fr
23	532124028	Bushing
25	819131312	Washer 13/32 X 13/16 X 12 Ga
26	873800600	Nut Lock Hex W/Ins 3/8-16 Unc
28	532165379	Grille LT/PL Husqvarna
29	532165380	Lens LT/PL Husqvarna
30	532171854	Fender Footrest STLT Pnt
31	532139976	Bracket Support Fender
37	817490508	Screw Thdrol 6/16-18 x 1/2 TYT
38	532175710	Bracket Asm. Pivot Mower Rear
52	819091416	Washer 9/32 x 7/8 x 16 Ga.
53	532150067	Bracket Pnt. Pick off LT/PL Husqvarna
57	874780412	Bolt Hex 1/4-20 x 3/4
58	532174930	Duct Intake Air
60	872140606	Bolt Rdhd Sqnk 3/8-16unc x 3/4
64	532154798	Dash Lower STLT
68	873510400	Nut Keps Hex 1/4-20 UNC
71	873680400	Nut Crownlock 1/4-20 UNC
74	873680600	Nut Crownlock 3/8-16 UNC
129	819091016	Washer 9/32 x 5/8 x 16 Ga.
134	532160219	Rod Support Hood PL Husq.
142	532165867	Plate Reinforcement STLT
143	532154966	Bracket Swaybar Chassis
144	532154207	Bracket Pnt Footrest STLT
145	532156524	Rod Pivot Chassis/Hood
206	532170165	Bolt Shoulder 5/16-18 TT
207	817670508	Screw Thdrol 5/16-18 x 1/2 TYTT
208	817670608	Screw Thdrol 3/8-16 x 1/2 TYT BL
212	532156195	Insert Lens Reflective

NOTE: All component dimensions given in U. S. inches
1 inch = 25.4 mm

REPAIR PARTS

TRACTOR - MODEL NO. YTH180 (HEYTH180F), PRODUCT NO. 954 17 00-23
DRIVE



REPAIR PARTS

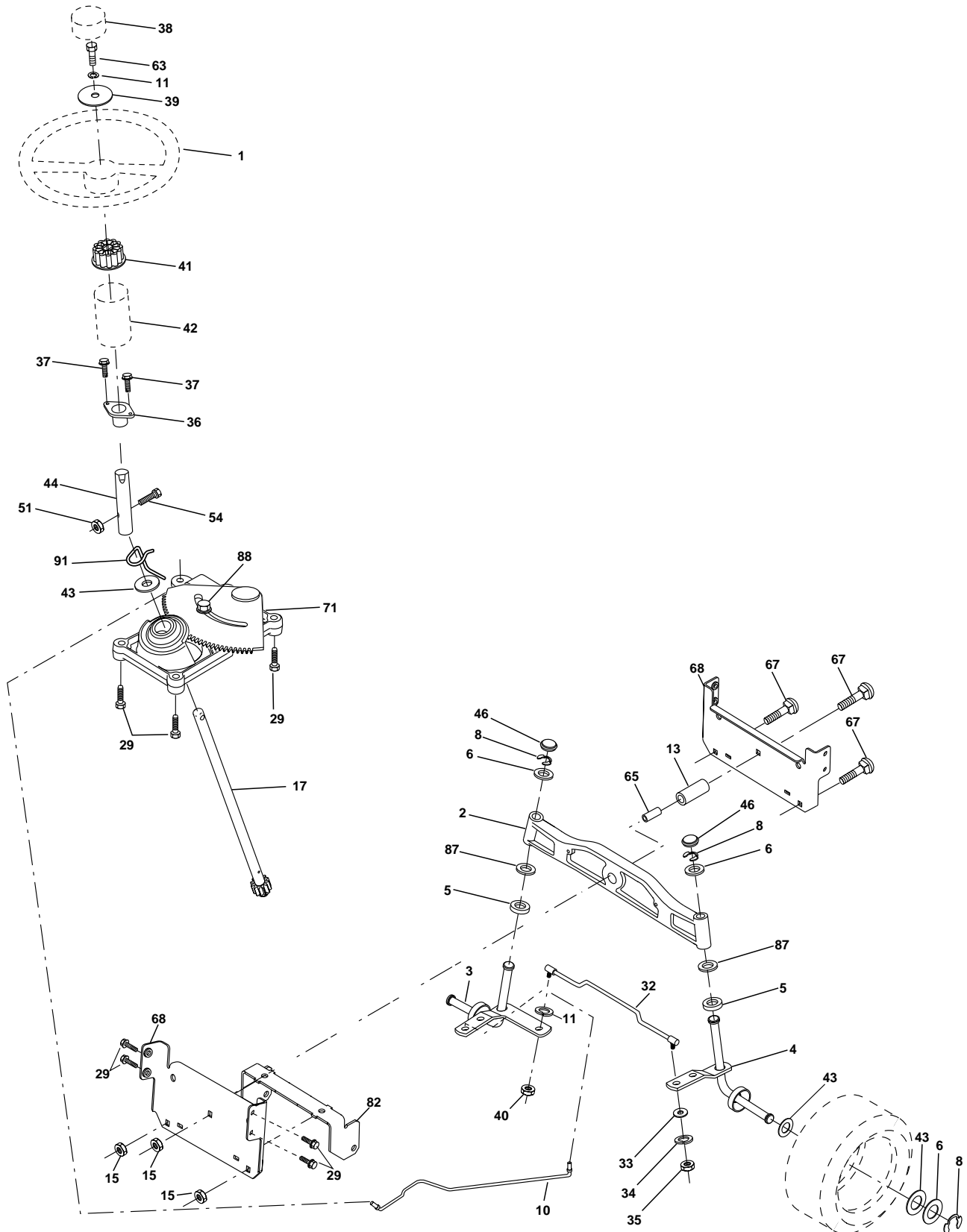
TRACTOR - MODEL NO. YTH180 (HEYTH180F), PRODUCT NO. 954 17 00-23
DRIVE

KEY NO.	PART NO.	DESCRIPTION	KEY NO.	PART NO.	DESCRIPTION
1	-----	Transaxle, Hydro Gear 314-0510 (Order Parts From Transaxle Manufacturer)	61	817060612	Screw 3/8-16 x 3/4
8	532165866	Rod Shift Fender	62	532123533	Cover, Pedal
9	532160889	Clutch Electric	63	532175414	Pulley, Engine
10	876020416	Pin Cotter 1/8 x 1 CAD	65	810040700	Washer
14	810040400	Washer Lock Hvy Helical	66	532154778	Keeper Belt Engine Hydro
15	874490544	Bolt Hex Flghd 5/16-18 Gr. 5	71	532169183	Strap Torque Lh Hydro
16	873800500	Nut Lock Hex W/Ins. 5/16-18 Unc	73	532169182	Strap Torque Rh Hydro
19	873800600	Nut Lock Hex W/Wsh 3/8-16 Unc	74	532137057	Spacer, Axle
20	532150280	Bolt, Hex 7/16-20 x 4-1/4	75	532121749	Washer 25/32 x 1-1/4 x 16 Ga.
21	532121274	Knob	76	812000001	E-Ring
22	532169498	Rod, Brake Hydro	77	532123583	Key, Square
23	532171258	Bracket Asm. Anti-Rot EVX	78	532121748	Washer 25/32 x 1-5/8 x 16 Ga.
24	873350600	Locknut	81	532165596	Shaft Asm. Cross Hydro
25	532106888	Spring, Brake Rod	82	532165711	Spring Torsion T/A
26	819131316	Washer	83	819171216	Washer 17/32 x 3/4 x 16 Ga.
27	876020412	Pin Cotter 1/8 x 3/4 CAD.	84	532169594	Link Transaxle
28	532175765	Rod, Parking Brake	89	532166510	Console, Shift
29	532071673	Cap, Parking Brake	90	532124346	Nut, Self Thd Wsh Hd 1/4 Zinc
30	532169592	Bracket, Transaxle	95	532170201	Control Asm. Bypass Hydro
32	874760512	Bolt Hex Hd 5/16-18 Unc x 3/4	96	532124788	Retainer Spring 1" Zinc/Cad
33	872140506	Bolt Carriage 5/16-18 UNC x 3/4	120	873900600	Nut Lock 3/8-16
34	532175578	Shaft, Foot Pedal Nibbed	144	819111016	Washer 11/32 x 5/8 x 16 Ga.
35	532120183	Bearing, Nylon	150	532175456	Spacer Retainer
36	819211616	Washer	151	819133210	Washer 13/32 x 2 x 10 Ga.
37	532124963	Pin, Roll	156	532166002	Washer Srrted 5/16ID x 1.125
38	532165936	Pulley, Idler, Flat Composite	158	532165589	Bracket Shift Mount
39	874760648	Bolt	159	532165494	Hub Tapered Flange Shift Lt
40	532175461	Spacer Split	161	872140406	Bolt Rdhd Sqnk 1/4-20 x 3/4 Gr. 5
41	532175556	Keeper, Belt Idler Fool-Proof	162	873680400	Nut Crownlock 1/4-20 Unc
42	819131312	Washer 13/32 x 13/16 x 12 Gauge	163	874780416	Bolt Hex Fin 1/4-20 Unc x 1 Gr. 5
47	532127783	Pulley, Idler, V-Groove	164	819091010	Washer 5/8 x .281 x 10 Ga
48	532154407	Bellcrank Clutch Grnd Drv Stl	165	532165623	Bracket Pivot Lever
49	532123205	Retainer, Belt	166	532166880	Screw 5/16-18 x 5/8
50	874760624	Bolt	168	532165492	Bolt Shoulder 5/16-18 x .561
51	873680600	Nut	169	532165580	Plate Fastening Lt\
52	873680500	Nut Crown Lock 5/16-18	197	532169613	Nyliner Snap-In 5/8" ID
53	532105710	Link, Clutch	198	532169593	Washer Nyliner 7/8 ID x .105
55	532105709	Spring, Return, Clutch	199	532169612	Bolt Shoulder 5/16-18 Unc
56	817060616	Screw 3/8-16 x 1	200	872140508	Bolt Rdhd Sq Neck 5/16-18UNC x 1
57	532140294	V-Belt, Ground Drive	202	872110612	Bolt Carr Sh 3/8-16 x 1-1/2 Gr.5
59	532169691	Keeper, Center Span			

NOTE:All component dimensions give in U.S. inches.
1 inch = 25.4 mm.

REPAIR PARTS

TRACTOR - MODEL NO. YTH180 (HEYTH180F), PRODUCT NO. 954 17 00-23
STEERING ASSEMBLY



REPAIR PARTS

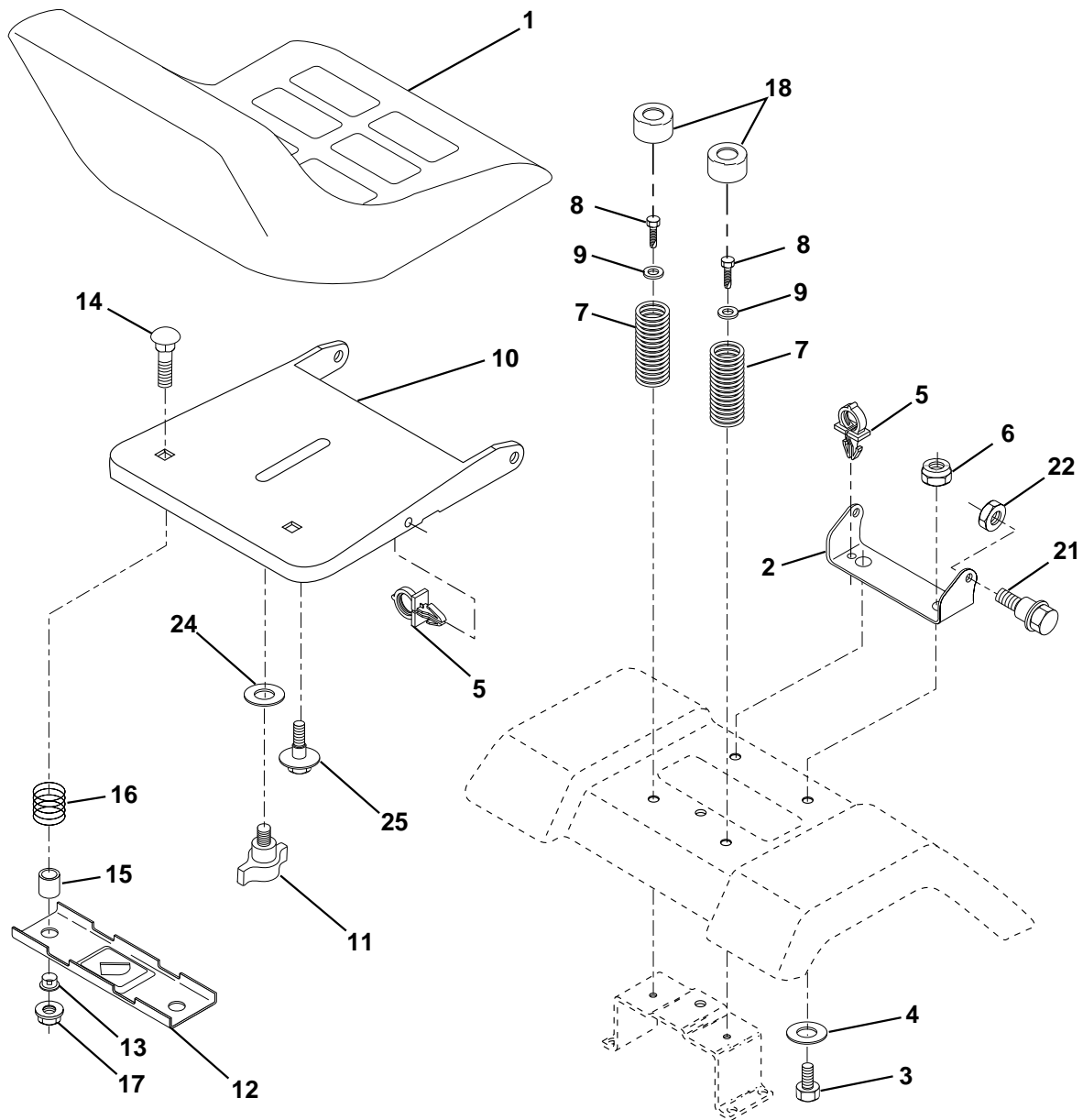
TRACTOR - MODEL NO. YTH180 (HEYTH180F), PRODUCT NO. 954 17 00-23
STEERING ASSEMBLY

KEY NO.	PART NO.	DESCRIPTION
1	532166627	Wheel Steering
2	532172393	Axle
3	532169840	Spindle Asm LH
4	532169839	Spindle Asm RH
5	532124931	Bearing Race Thrust Harden
6	532121748	Washer 25/32 X 1-5/8 X 16 Ga
8	812000029	Ring Klip #t5304-75
10	532175121	Link Drag
11	810040600	Washer Lock Hvy Hlcl Spr 3/8
13	532136518	Spacer Brg Axle Front
15	532145212	Nut Hex Flange Lock
17	532177876	Shaft Asm Strg Private Label
29	817060612	Screw 3/8-16x3/4
32	532171888	Rod Tie
33	819111216	Washer 11/32 x 3/4 x 16 Ga.
34	810040500	Washer Lock Hry Hlcl Spr 5/16
35	873540500	Crownlock Nut 5/16 - 24 UNF
36	532155099	Bushing Strg
37	532152927	Screw TT #32.5 x 5 x 3/8 Flange
38	532166626	Cap Wheel Steer
39	819132411	Washer 13/32 x 1-1/20 x 11 Ga
40	532124701	Nut Lock Center 3/8-24 Unf
41	532159945	Adaptor Wheel Strg
42	532169634	Boot Dash Steering
43	532121749	Washer 25/32 X 1 1/4 X 16 Ga
44	532153720	Extension Steering Non-adjust
46	532121232	Cap Spindle Fr Top Blk
51	873800500	Nut Lock Hex W/Ins 5/16-18 UNC
54	874780520	Bolt Fin Hex 5/16-18 UNC x 1-1/4
63	874780616	Bolt Fin Hex 3/8-16 UNC x 1 Gr. 5
65	532160367	Spacer Brace Axle
67	872140618	Bolt Rdhd Sq 3/8-16 x 2-1/4
68	532169827	Brace, Axle
71	532175146	Steering Asm
82	532169835	Bracket Susp Chassis Front
87	532173966	Washer Flat .781 x 1-1/2 x .14
88	532175118	Bolt Shoulder 7/16-20
91	532175553	Clip Steering

NOTE: All component dimensions given in U.S. inches
1 inch = 25.4 mm.

REPAIR PARTS

TRACTOR - MODEL NO. YTH180 (HEYTH180F), PRODUCT NO. 954 17 00-23
SEAT ASSEMBLY



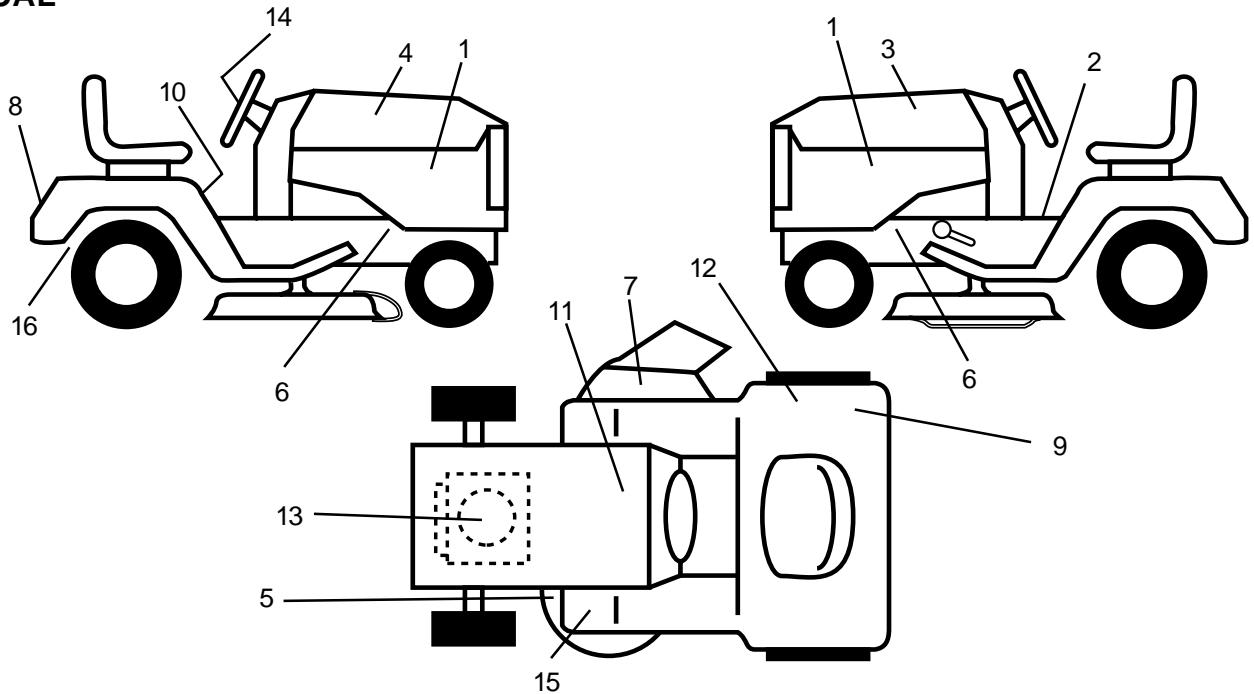
KEY NO.	PART NO.	DESCRIPTION
1	532140840	Seat
2	532140551	Bracket Pivot Seat 8 720
3	871110616	Bolt Hex 3/8-16unc x 1
4	819131610	Washer 13/32 X 1 X 10 Ga
5	532145006	Clip Push-In Hinged
6	873800600	Nut Lock Hex w/Ins. 3/8-16 Unc
7	532124181	Spring Seat Cprsn 2 250 Blk Zi
8	817000616	Screw 3/8-16 X 1-1/2
9	819131614	Washer 13/32 X 1 X 14 Ga
10	532174894	Pan Seat
11	532166369	Knob Seat
12	532121246	Bracket Mounting Switch

KEY NO.	PART NO.	DESCRIPTION
13	532121248	Bushing Snap Blk Nyl 50 Id
14	872050412	Bolt Rdhd Sht Nk 1/4-20x1-1/2
15	532121249	Spacer Split 28x 88 Zinc
16	532123740	Spring Cprsn 1 310 Blk Pnt
17	532123976	Nut Lock 1/4 Lge Flg Gr 5 Zinc
18	532124238	Cap Spring Seat
21	532171852	Bolt Shoulder 5/16-18 Unc-2A
22	873800500	Nut Lock Hx w/Ins 5/16-18 Unc PL
24	819171912	Washer 17/32 X 1-3/16 X 12 Ga
25	532127018	Bolt Shoulder 5/16-18 X 62

NOTE: All component dimensions given in U.S. inches
1 inch = 25.4 mm.

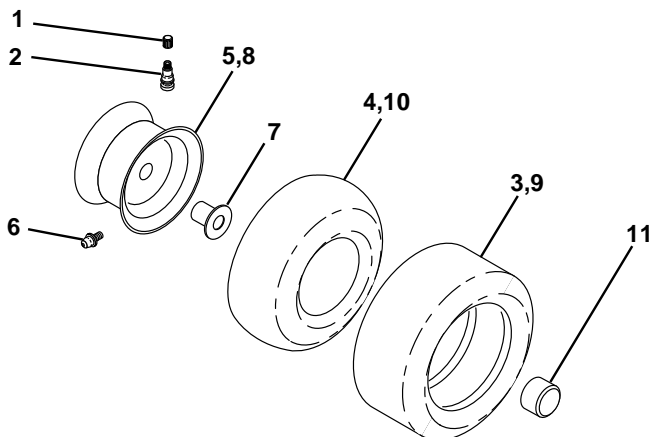
REPAIR PARTS

TRACTOR - MODEL NO. YTH180 (HEYTH180F), PRODUCT NO. 954 17 00-23
DECAL



KEY NO.	PART NO.	DESCRIPTION	KEY NO.	PART NO.	DESCRIPTION
1	532159713	Decal, Pnl Side B&S	14	532170564	Decal, Wheel Steering
2	532140837	Decal, Brake Parking Sandle	15	532159737	Decal, Brake/Clutch Symbol
3	532150728	Decal, Hood, L. H.	16	532162598	Decal Drawbar Load Limit
4	532150727	Decal, Hood, R.H.	--	532169210	Decal By Pass Lt Hydro
5	532160396	Decal, V-Belt Sch.	--	532138311	Decal, Handle Lift Height Adjust. (Lift Handle)
6	532159736	Decal, Chassis Hot Muffler	--	532171284	Pad, Footrest LH
7	532145494	Decal, Mower Cuffinger Symbol	--	532171285	Pad, Footrest RH
8	532150617	Decal, Logo, Fender	--	532176151	Manual, Operator's (Euro)
9	532126187	Decal, 100 DBA	--	532176152	Manual, Operators, (Scan)
10	532145498	Decal, Read Owners Manual	Available accessories not included with tractor:		
11	532145005	Decal, Bat Dan/Poi P/L Sym	--	C42	42" Bagger
12	532145437	Decal, Europe Stand. CE Syms	--	MK420	Kit Mulcher w/Blades
13	532170850	Decal Engine			

WHEELS & TIRES

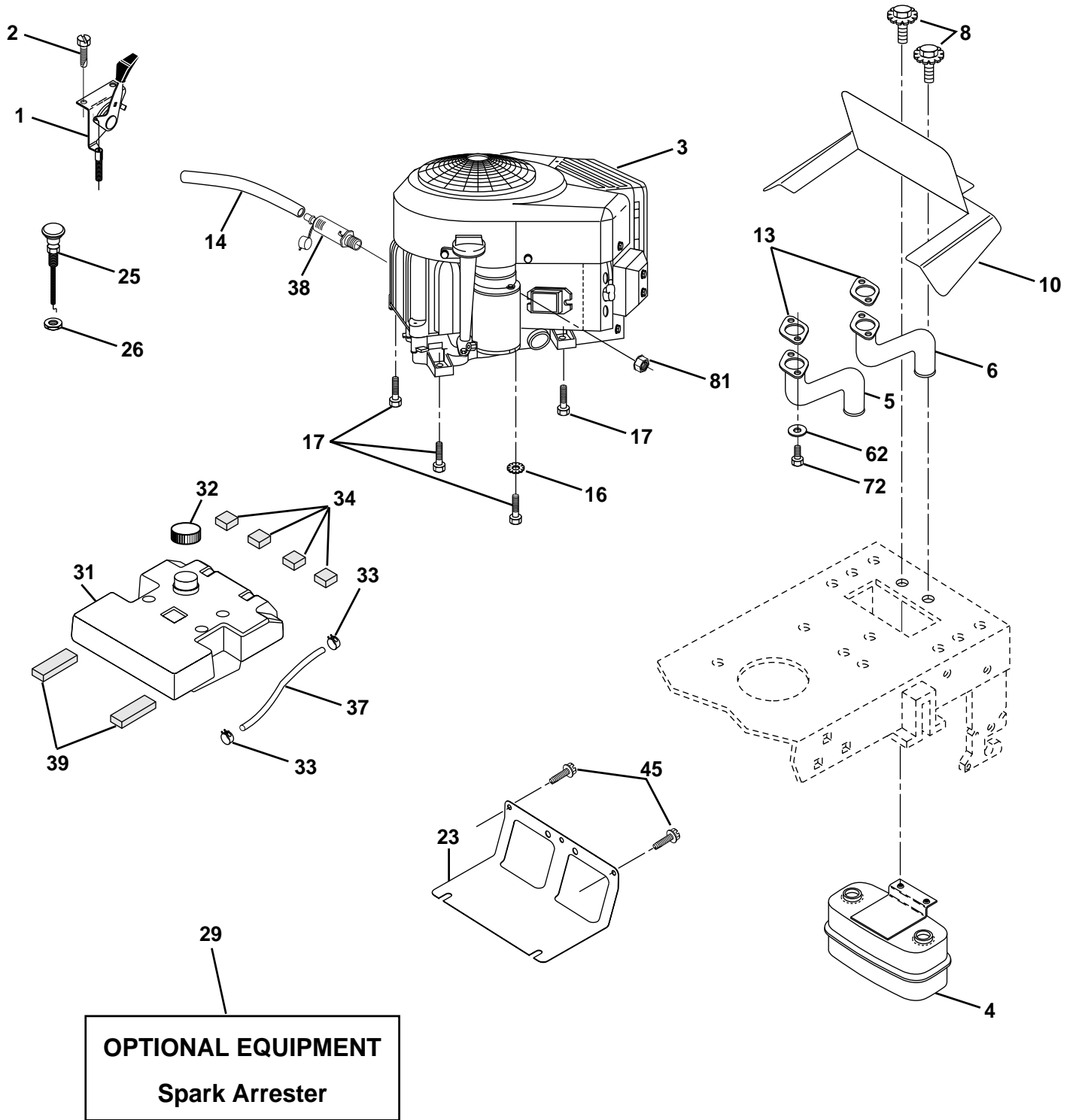


KEY NO.	PART NO.	DESCRIPTION
1	532059192	Cap Valve Tire
2	532065139	Stem Valve
3	532106222	Tire F Ts 15 X 6 0 - 6 Service
4	532059904	Tube Front (Service Item Only)
5	532138336	Rim Asm 6"front Silver Service
6	532124957	Fitting Grease (Front Wheel Only)
7	532124959	Bearing Flange (Front Wheel Only)
8	532138337	Rim Asm 8"rear Silver Service
9	532122082	Tire R Ts 20x10-8 C Service
10	532124926	Tube Rear (Service Item Only)
11	532175039	Cap Axle Blk 1 50 X 1 00
--	532144334	Sealant, Tire (10 oz. tube)

NOTE: All component dimensions given in U.S. inches
1 inch = 25.4 mm

REPAIR PARTS

TRACTOR - MODEL NO. YTH180 (HEYTH180F), PRODUCT NO. 954 17 00-23
ENGINE



REPAIR PARTS

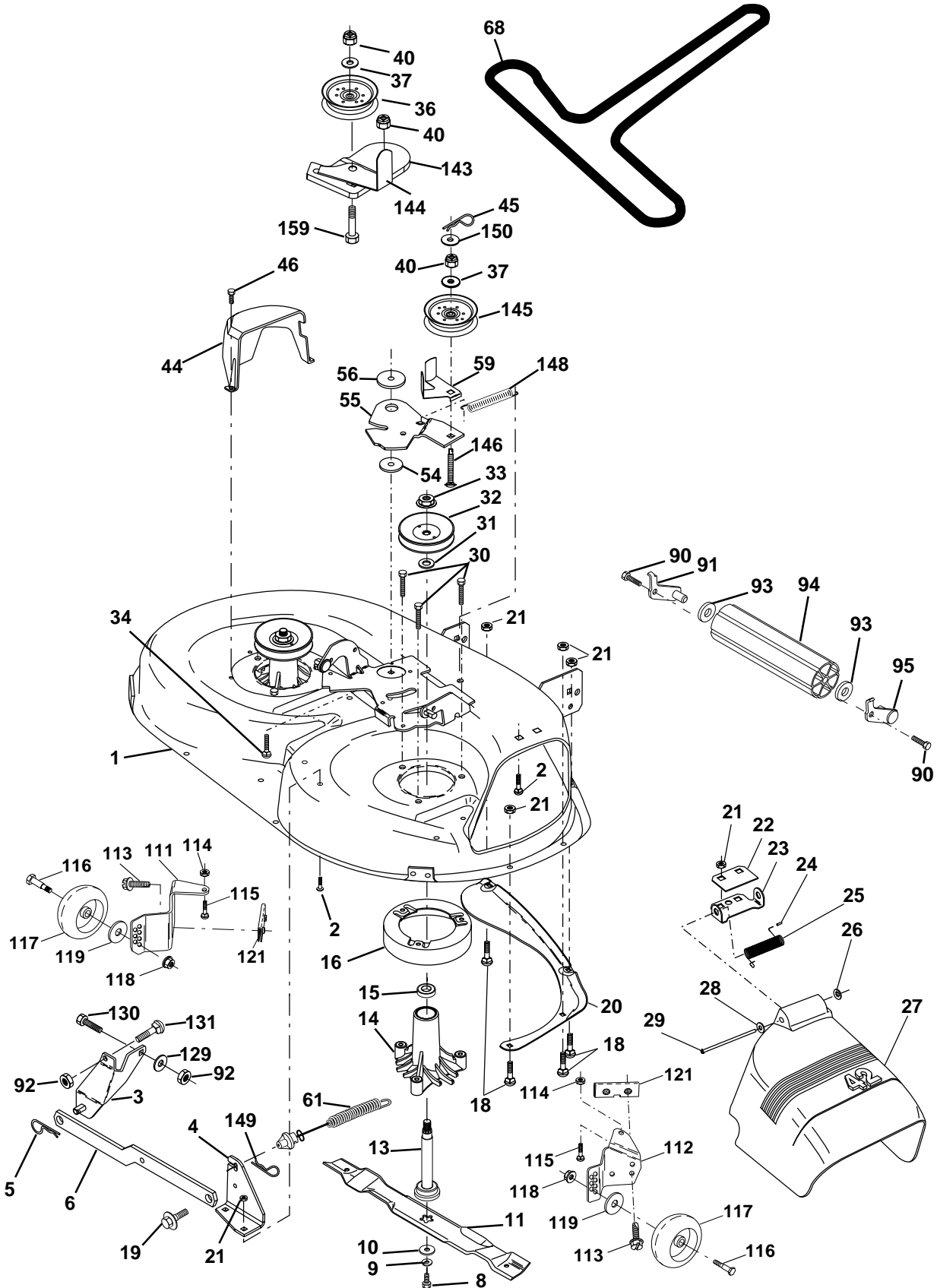
TRACTOR - MODEL NO. YTH180 (HEYTH180F), PRODUCT NO. 954 17 00-23
ENGINE

KEY NO.	PART NO.	DESCRIPTION
1	532170771	Control, Throttle
2	817720410	Screw, Hex Head, Thread Cutting 1/4-20 x 5/8
3	-----	Engine, B&S Model Number 407777 (Order Parts From Engine Manufacturer)
4	532149723	Muffler
5	532159955	Tube, Manifold, LH
6	532160589	Tube, Manifold, RH
8	532171877	Bolt 5/16-18 UNC x 3/4 w/Sems
10	532162797	Shield, Browning B&S Intek II
13	532165391	Muffler Gasket (Order from Engine Manufacturer)
14	532148456	Tube Drain Oil Easy
16	811050600	Washer, Lock, External Tooth 3/8
17	817490624	Screw Thdrol 3/8-16 x 1-1/2
23	532169837	Shield, Browning / Debris Guard
25	532145996	Choke Control
26	873920600	Nut, Keps 3/8-24 UNF
29	532137180	Kit, Spark Arrestor
31	532157103	Tank Fuel 3 50 Rear
32	532140527	Cap Asm Fuel W/sym Vented
33	532123487	Clamp, Hose
34	532106082	Pad, Spacer
37	532124923	Line, Fuel
38	532148315	Plug Drain Oil Easy
39	532109227	Pad, Idler
45	817000612	Screw Hexwash Thdr
62	810040500	Washer, Lock 5/16 (Order from engine mfg.)
72	871070512	Screw, Hex Socket Head 5/16-18 x (Order from engine mfg.)
81	873510400	Nut, Keps Hex 1/4-20 UNC

NOTE: All component dimensions given in U.S. inches
1 inch = 25.4 mm

REPAIR PARTS

TRACTOR - MODEL NO. YTH180 (HEYTH180F), PRODUCT NO. 954 17 00-23
MOWER DECK



REPAIR PARTS

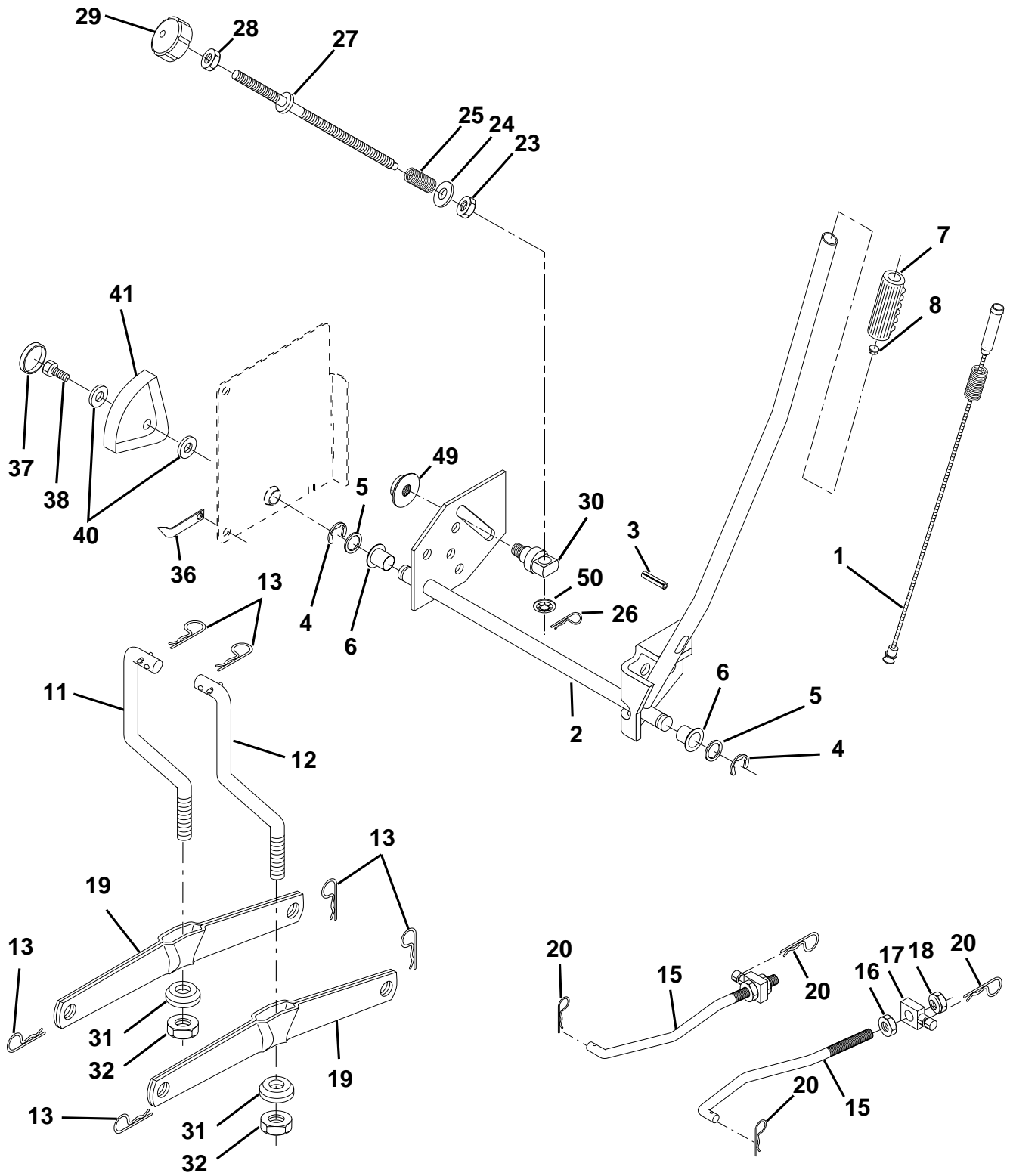
TRACTOR - MODEL NO. YTH180 (HEYTH180F), PRODUCT NO. 954 17 00-23
MOWER DECK

KEY NO.	PART NO.	DESCRIPTION	KEY NO.	PART NO.	DESCRIPTION
1	532165892	Housing Asm Mower 42"94 T-Path	59	532141043	Guard, Belt
2	872140506	Bolt Rdhd Sqnk 5/16-18unc X3/4	61	532174882	Spring Ext. Elect
3	532138017	Bracket Asm Fr Sway Bar 38/42	68	532174883	V-Belt Mower
4	532165460	Bracket Asm Deck 42"sway Bar	90	817490612	Screw Thdrol 3/8-16 X 3/4
5	532124670	Retainer Spring	91	532175746	Bracket Asm Noseroller LH
6	532130832	Arm Suspension Rear	93	819171416	Washer 17/32 X 7/8 X 16 Ga
8	532850857	Bolt 3/8-24x1 25 Gr8 Patched	94	532132264	Roller Nose 38 & 42
9	810030600	Washer Lock Hvy 3/8 Unplated	95	532175747	Bracket Asm Noseroller RH
10	532140296	Washer Hard Blade Mower Vented	111	532155197	Bracket Gauge Wheel Lh
11	532138498	Blade Mower High Lift"	112	532155198	Bracket Gauge Wheel Rh
13	532137645	Shaft Asm W/lower Bearing	113	817060514	Screw 5/16-18
14	532128774	Housing Mandrel Vented(machd)	114	873510500	Nut Keps 5/16-18 UNC
15	532110485	Bearing Ball Mandrel	115	872110504	Bolt Carriage 5/16-18unc x 1/2
16	532174493	Stripper Round Mower	116	532124842	Bolt Shoulder
18	872140505	Bolt Carr 5/16-18 X 5/8	117	532165746	Wheel Gauge
19	532132827	Bolt Shoulder	118	873930600	Nut Centerlock 3/8-16 UNC
20	532159770	Baffle Vortex 42	119	819121414	Washer 3/8 x 7/8 x 14 Ga.
21	873680500	Nut Crown Lock 5/16-18	121	532143723	Bracket Extruded Gauge Wheel
22	532134753	Stiffener Bracket 42"deck	129	819131312	Washer 13/32 x 13/16 x 12 Ga.
23	532131267	Bracket Deflector Mower 42"	130	874780616	Bolt Fin Hex 3/8-16 UNC x 1 Gr. 5
24	532105304	Cap Sleeve 80x 112 Blk Mower	131	872140608	Bolt Rdhd Sqnk 3/8-16 UNC x1
25	532123713	Spring Torsion Deflector 2 52	143	532157109	Bracket Arm Idler
26	532110452	Nut Push Phos & Oil	144	532158634	Keeper Belt
27	532171859	Shield Deflector	145	532165888	Pulley Idler Flat
28	819111016	Washer 11/32 X 5/8 X 16 Ga	146	532171977	Bolt Carriage Idler
29	532131491	Rod Hinge 42"6 75 Wlg	148	532169022	Spring Return Idler
30	532157722	Screw Thd Rolling Washer Head	149	532165898	Retainer Spring Yellow
31	532129963	Washer Spacer Mower Vented	150	819091216	Washer 9/32 x 3/4 x 16
32	532153535	Pulley Mandrel	159	872140614	Bolt RDHD Sqn 3/8-16 x 1-3/4
33	532137266	Nut 9/16top Lock Fling Cntr	--	532176207	Deck Serv 42" Elec Vent (Standard Deck - Order Nose Roller, Gauge Wheel and Mulcher Plate components separately Key Nos. 90-95, 101-106 and 111-121)
34	872110614	Bolt RDHD 3/8-16 x 1-3/4	--	532130794	Mandrel Assembly (Includes Key Numbers 8-10, 13-15, 31 and 33)
36	532131494	Pulley Idler Flat 3 060			
37	819131316	Washer 13/32 X 13/16 X 16 Ga			
40	873680600	Nut Lock 3/8-16 Unc			
44	532140088	Guard Mandrel LH Black			
45	532124788	Retainer Spring			
46	532137729	Screw Thdrol 1/4-20x5/8			
54	532133943	Washer Hardened			
55	532155046	Arm Idler 42"mower LT/YT			
56	532165723	Spacer Retainer Mower			

NOTE: All component dimensions given in U.S. inches
1 inch = 25.4 mm

REPAIR PARTS

TRACTOR - MODEL NO. YTH180 (HEYTH180F), PRODUCT NO. 954 17 00-23
MOWER LIFT



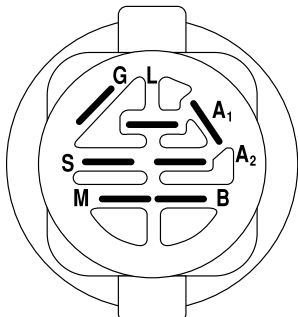
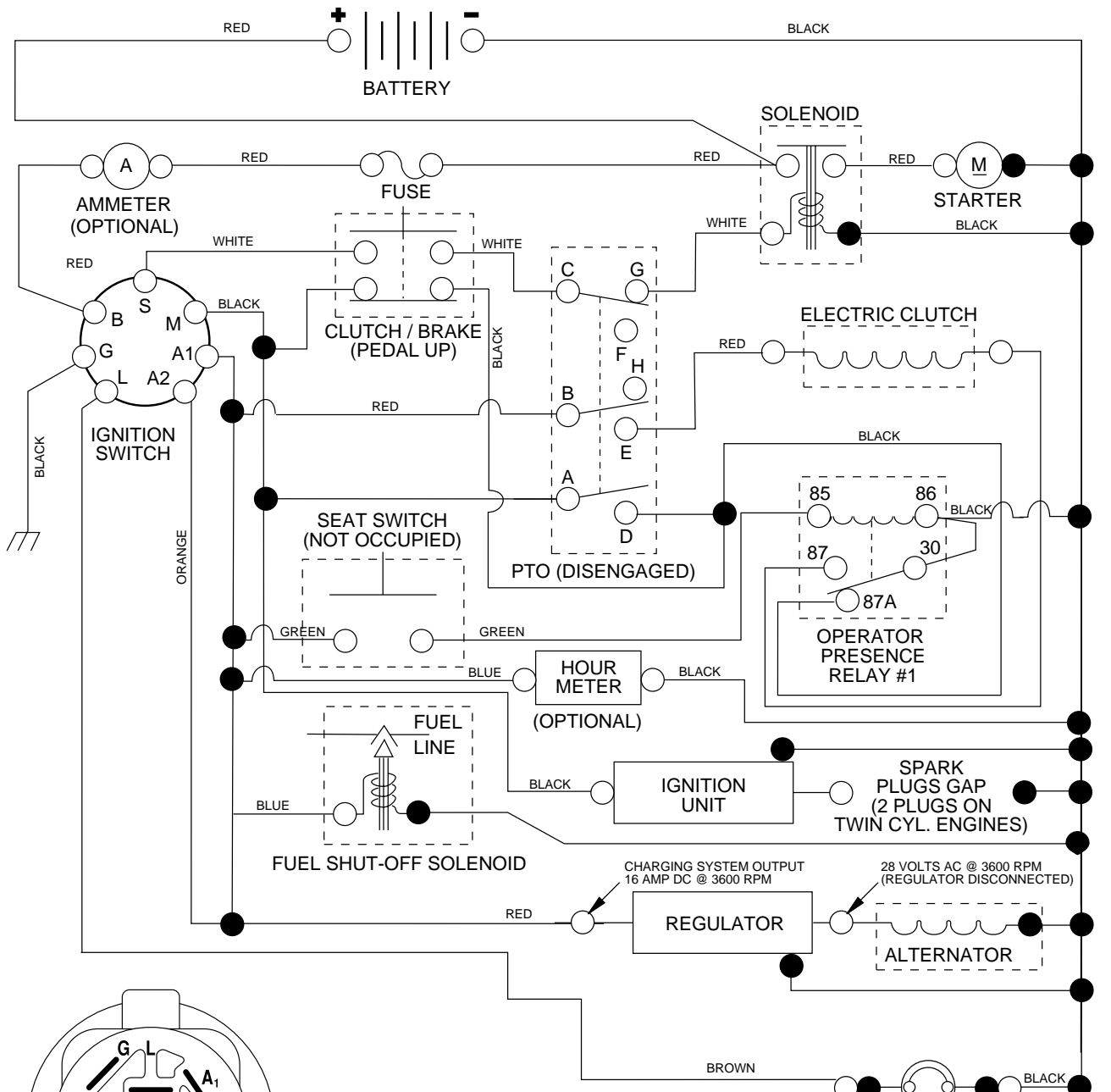
REPAIR PARTS

TRACTOR - MODEL NO. YTH180 (HEYTH180F), PRODUCT NO. 954 17 00-23
MOWER LIFT

KEY NO.	PART NO.	DESCRIPTION
1	532159460	Wire Asm Inner/Sprg w/plngr LT
2	532159471	Shaft Asm Lift
3	532105767	Pin Groove
4	812000002	E Ring #5133-62
5	819211621	Washer 21/32 X 1 X 21 Ga.
6	532120183	Bearing Nylon Blk 629 Id
7	532125631	Grip Handle
8	532124526	Button Plunger Black
11	532139865	Link Lift LH Mower
12	532139866	Link Lift RH Mower
13	532124670	Retainer Spring
15	532173288	Link Front
16	873350800	Nut Jam Hex 1/2-13 Unc
17	532130171	Trunnion Blk Zinc
18	873800800	Nut Lock w/wsh 1/2-13 Unc
19	532139868	Arm Suspension Rear
20	532163552	Retainer Spring
23	532110807	Nut Special
24	819131016	Washer 13/32 x 5/8 x 16 Ga.
25	532124874	Spring 2-1/8"
26	532169484	Retainer Clip
27	532126971	Rod Adj Lift
28	873350600	Nut Hex Jam 3/8-16 UNC
29	532138057	Knob Inf 3/8-16 UNC
30	532150233	Trunnion Inf. Height
31	532169865	Bearing PT Lift
32	873540600	Nut Crownlock 3/8-24
36	532155097	Pointer Height Ind
37	532123935	Plug Hole
38	817060516	Screw 5/16-18 x 1
40	819112410	Washer 11/32 x 1-1/2 x 10 Ga.
41	532155098	Ind Height STLT
49	532145212	Nut, Hex Flange Lock
50	532110452	Nut, Push

NOTE: All component dimensions given in U.S. inches
1 inch = 25.4 mm

TRACTOR - MODEL NO. YTH180 (HEYTH180F), PRODUCT NO. 954 17 00-23 SCHEMATIC



IGNITION SWITCH

POSITION	CIRCUIT	"MAKE"
OFF	M+G+A1	NONE
RUN/LIGHT	B+A1	A2+L
RUN	B+A1	NONE
START	B + S + A1	NONE

WIRING INSULATED CLIPS

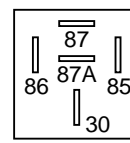
NOTE: IF WIRING INSULATED CLIPS WERE REMOVED FOR SERVICING OF UNIT, THEY SHOULD BE REPLACED TO PROPERLY SECURE YOUR WIRING.

PTO SWITCH

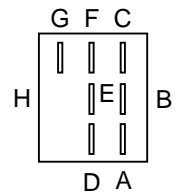
POSITION	CIRCUIT
OFF	C + G, B + H
ON	C + F, B + E, A + D

● NON-REMOVABLE CONNECTIONS

○ REMOVABLE CONNECTIONS



RELAY



HEADLIGHTS