

YTH170

Spare parts
Ersatzteile
Pièces détachées
Reserve onderdelen
Repuestos
Reservdelar

REPAIR PARTS

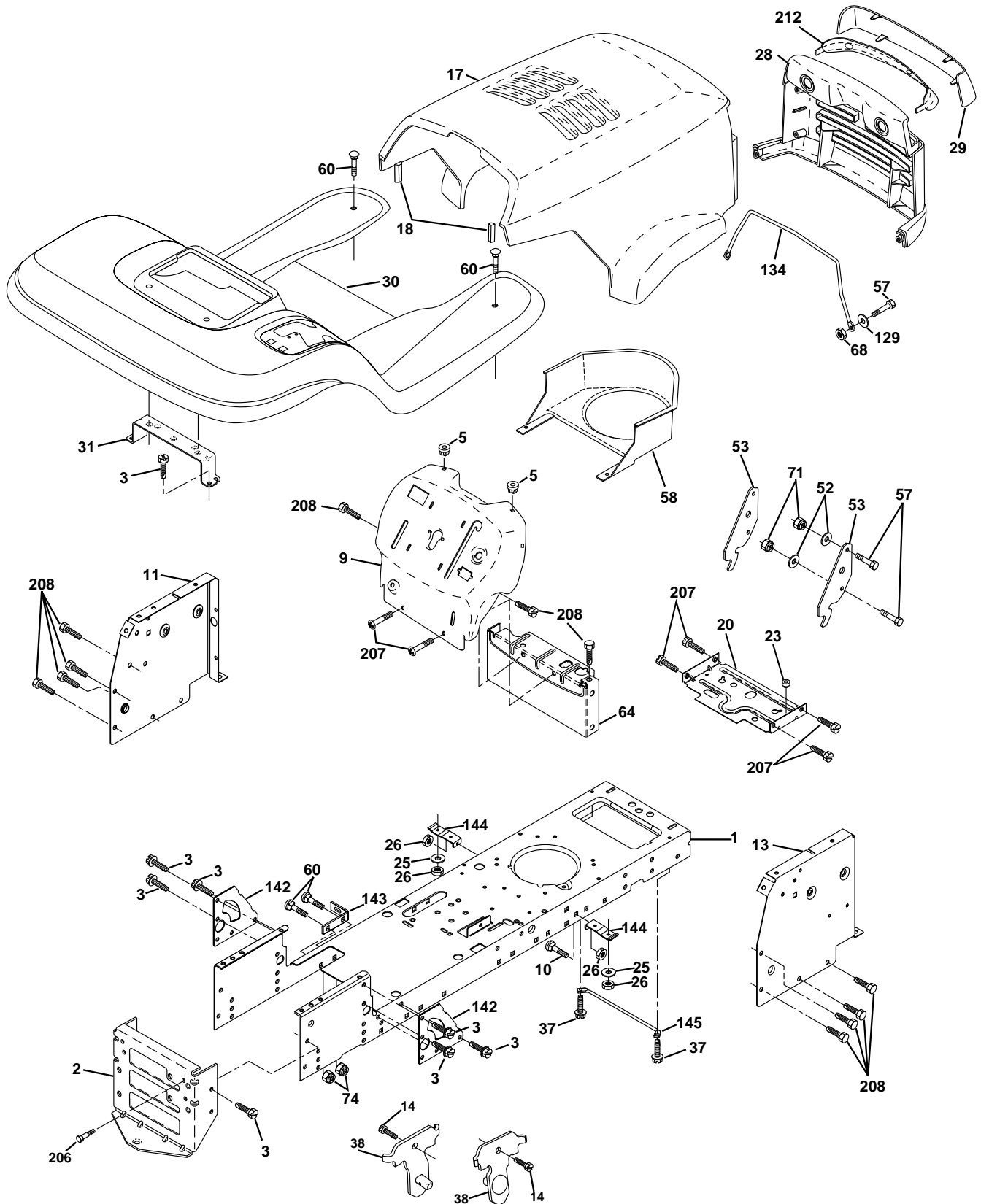
TRACTOR - - MODEL NO. YTH170 (HFYTH170F) PRODUCT NO. 954 82 01-31
ELECTRICAL

KEY NO.	PART NO.	DESCRIPTION
1	532144925	Battery 12 Volt 25 AMP
2	874760412	Bolt Hex Hd 1/4-20unc x 3/4
8	532156417	Case Battery Mech Hinge
16	532153664	Switch Interlock Push-In
21	532166181	Harness Asm Light W/4152j
22	532004152	Bulb Light #1156
24	532124780	Cable Battery 6 Ga 11" red
25	532146147	Cable Battery 6 Ga 44" red w/16 wire
26	532175158	Fuse 20 AMP
27	873510400	Nut Keps Hex 1/4-20 Unc
28	532124773	Cable Ground 6 Ga 12" black
29	532160784	Switch Plunger Normal OP Olive
30	532175566	Switch Ign
33	532140401	Key Ign Molded
40	532178442	Harness Ign.
41	871110408	Bolt Blk Fin Hex 1/4 - 20 x 1/2
42	532131563	Cover Terminal Red
43	532178861	Solenoid
48	532140844	Adapter Ammeter Rectangular
50	532174651	Switch PTO
51	532140405	Ring Retainer PTO
52	532141940	Protection Wire Loop
80	532146685	Harness Clutch EVX
81	532109748	Relay Asm

NOTE: All component dimensions given in U.S. inches.
1 inch = 25.4 mm.

REPAIR PARTS

TRACTOR - - MODEL NO. YTH170 (HFYTH170F) PRODUCT NO. 954 82 01-31
CHASSIS AND ENCLOSURES



REPAIR PARTS

TRACTOR - - MODEL NO. YTH170 (HFYTH170F) PRODUCT NO. 954 82 01-31 CHASSIS AND ENCLOSURES

Correction:

9 532172119

17 532165378

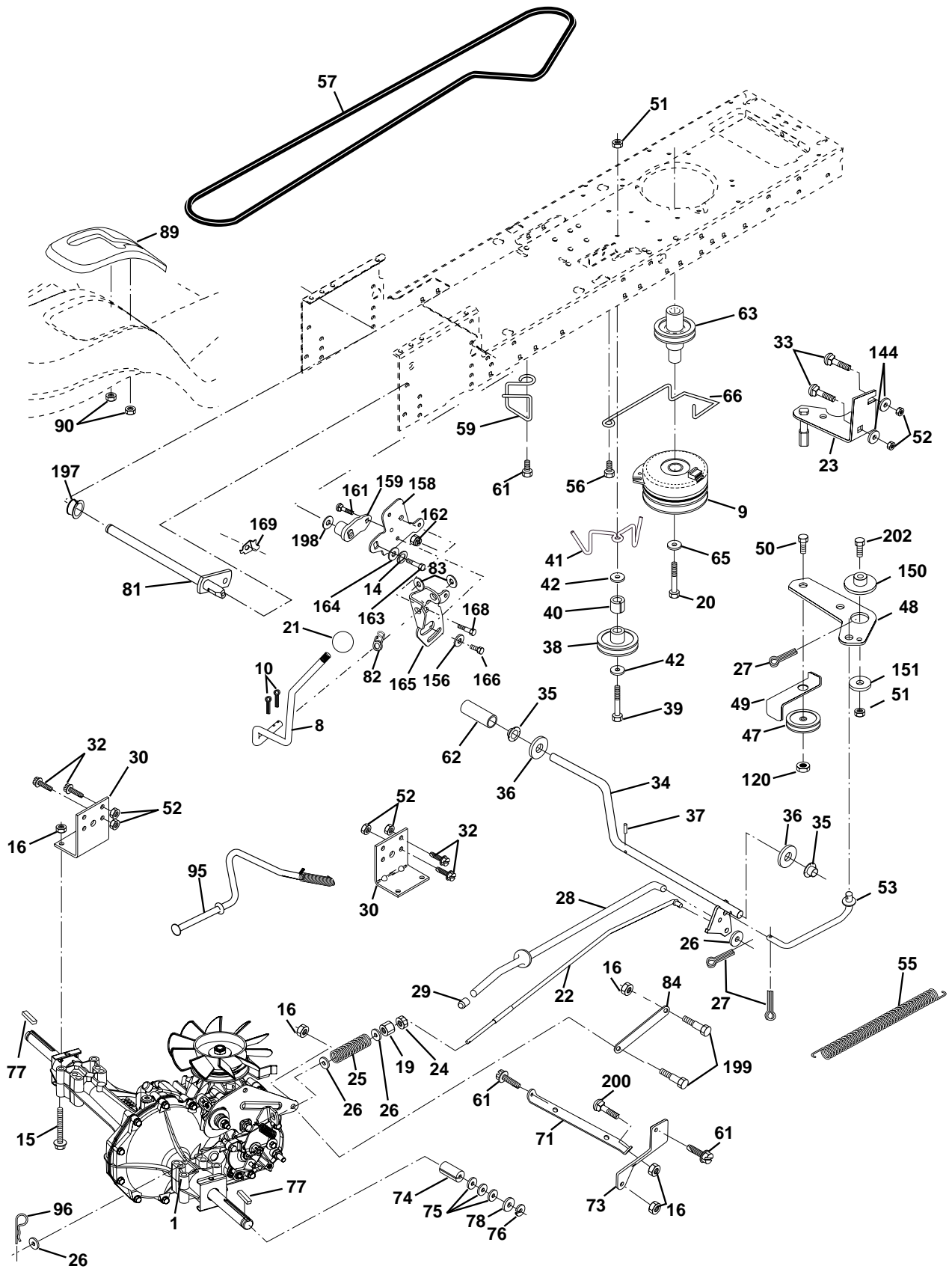
30 532180507

KEY NO.	PART NO.	DESCRIPTION
1	532174619	Chassis Weldment
2	532176554	Drawbar
3	817060612	Screw 3/8-16x3/4
5	532155272	Bumper Hood/Dash
9	532168342	Dash P/L
10	872140608	Bolt Carriage 3/8-16 x 1
11	532155927	Panel Dash Lh
13	532172108	Panel Dash Rh
14	817490608	Screw Thdrol 3/8-16 x 1/2
17	532149774	Hood LT/PL Husqvarna
18	532126938	Bumper Hood
20	532156437	Plate Mtg Battery Fuel Tank Fr
23	532124028	Bushing
25	819131312	Washer 13/32 X 13/16 X 12 Ga
26	873800600	Nut Lock Hex W/Ins 3/8-16 Unc
28	532156880	Grille LT/PL Husqvarna
29	532149777	Lens LT/PL Husqvarna
30	532174738	Fender Footrest STLT Pnt
31	532139976	Bracket Support Fender
37	817490508	Screw Thdrol 6/16-18 x 1/2 TYT
38	532175710	Bracket, Asm. Pivot, Mower Rear
52	819091416	Washer 9/32 x 7/8 x 16 Ga.
53	532150067	Bracket Pnt. Pick off LT/PL Husqvarna
57	874780412	Bolt Hex 1/4-20 x 3/4
58	532150127	Air Duct Engine P/L
60	872140606	Bolt Rdhd Sqnk 3/8-16unc x 3/4
64	532154798	Dash Lower STLT
68	873510400	Nut Keps Hex 1/4-20 unc
71	873680400	Nut Crownlock 1/4-20 UNC
74	873680600	Nut Crownlock 3/8-16 UNC
129	819091016	Washer 9/32 x 5/8 x 16 Ga.
134	532160219	Rod Support Hood LT/PL Husq.
142	532165867	Plate Reinforcement STLT
143	532154966	Bracket Swaybar Chassis
144	532175582	Bracket Pnt Footrest STLT
145	532156524	Rod Pivot Chassis/Hood
206	532170165	Bolt Shoulder 5/16-18 TT
207	817670508	Screw Thdrol 5/16-18 x 1/2
208	817670608	Screw Thdrol 3/8-16 x 1/2
212	532156195	Insert Lens Reflective
--	532005479	Plug Button

NOTE: All component dimensions given in U.S. inches.
1 inch = 25.4 mm

REPAIR PARTS

TRACTOR - - MODEL NO. YTH170 (HFYTH170F) PRODUCT NO. 954 82 01-31
DRIVE



REPAIR PARTS

TRACTOR - - MODEL NO. YTH170 (HFYTH170F) PRODUCT NO. 954 82 01-31
DRIVE

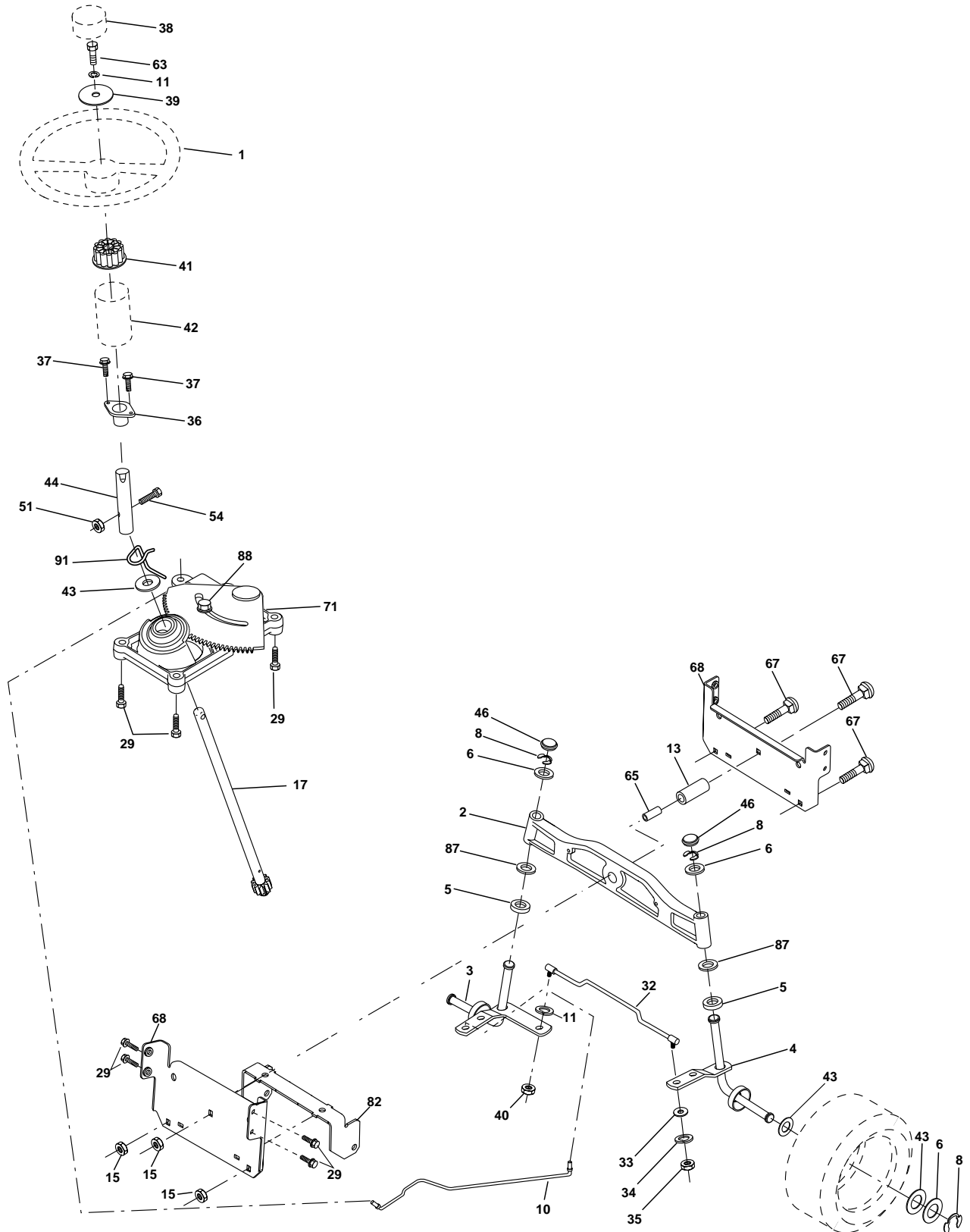
KEY NO.	PART NO.	DESCRIPTION
1	-----	Transaxle, Hydro Gear 314-0510 (Order Parts From Transaxle Manufacturer)
8	532165866	Rod Shift Fender
9	532145028	Clutch Electric
10	876020416	Pin Cotter 1/8 x 1 CAD
14	810040400	Washer Lock Hvy Helical
15	874490544	Bolt Hex Flghd 5/16-18 Gr. 5
16	873800500	Nut Lock Hex W/Ins. 5/16-18 Unc
19	873800600	Nut Lock Hex W/Wsh 3/8-16 Unc
20	532150280	Bolt, Hex 7/16-20 x 4-1/4
21	532121274	Knob Duckhead
22	532169498	Rod, Brake Hydro
23	532171258	Bracket Asm. Anti-Rot EVX
24	873350600	Locknut
25	532106888	Spring, Brake Rod
26	819131316	Washer
27	876020412	Pin Cotter 1/8 x 3/4 CAD.
28	532175765	Rod, Parking Brake
29	532071673	Cap, Parking Brake
30	532169592	Bracket, Transaxle
32	874760512	Bolt Hex Hd 5/16-18 Unc x 3/4
33	872140506	Bolt Carriage 5/16-18 UNC x 3/4
34	532175578	Shaft, Foot Pedal Nibbed
35	532120183	Bearing, Nylon
36	819211616	Washer
37	532124963	Pin, Roll
38	532165936	Pulley, Composite, Flat
39	874760648	Bolt
40	532175461	Spacer Split
41	532175556	Keeper, Belt Idler Fool-Proof
42	819131312	Washer 13/32 x 13/16 x 12 Gauge
47	532127783	Pulley, Idler, V-Groove
48	532154407	Bellcrank Clutch Grnd Drv Stl
49	532123205	Retainer, Belt
50	874760624	Bolt
51	873680600	Nut
52	873680500	Nut Crown Lock 5/16-18
53	532105710	Link, Clutch
55	532105709	Spring, Return, Clutch
56	817060616	Screw 3/8-16 x 1
57	532140294	V-Belt, Ground Drive

KEY NO.	PART NO.	DESCRIPTION
59	532169691	Keeper, Center Span
61	817060612	Screw 3/8-16 x 3/4
62	532123533	Cover, Pedal
63	532175414	Pulley, Engine
65	810040700	Washer
66	532154778	Keeper Belt Engine Hydro
71	532169183	Strap Torque Lh Hydro
73	532169182	Strap Torque Rh Hydro
74	532137057	Spacer, Axle
75	532121749	Washer 25/32 x 1-1/4 x 16 Ga.
76	812000001	E-Ring
77	532123583	Key, Square
78	532121748	Washer 25/32 x 1-5/8 x 16 Ga.
81	532165596	Shaft Asm. Cross Hydro
82	532165711	Spring Torsion T/A
83	819171216	Washer 17/32 x 3/4 x 16 Ga.
84	532169594	Link Transaxle
89	532164890	Console, Shift
90	532124346	Nut, Self Thd Wsh Hd 1/4 Zinc
95	532170201	Control Asm. Bypass Hydro
96	532124788	Retainer Spring 1" Zinc/Cad
120	873900600	Nut Lock 3/8-16
150	532175456	Spacer Retainer
151	819133210	Washer 13/32 x 2 x 10 Ga.
156	532166002	Washer Srrted 5/16ID x 1.125
158	532165589	Bracket Shift Mount
159	532165494	Hub Tapered Flange Shift Lt
161	872140406	Bolt Rdhd Sqnk 1/4-20 x 3/4 Gr. 5
162	873680400	Nut Crownlock 1/4-20 Unc
163	874780416	Bolt Hex Fin 1/4-20 Unc x 1 Gr. 5
164	819091010	Washer 5/8 x .281 x 10 Ga
165	532165623	Bracket Pivot Lever
166	532166880	Screw 5/16-18 x 5/8
168	532165492	Bolt Shoulder 5/16-18 x .561
169	532165580	Plate Fastening Lt\
197	532169613	Nyliner Snap-In 5/8" ID
198	532169593	Washer Nyliner 7/8 ID x .105
199	532169612	Bolt Shoulder 5/16-18 Unc
200	872140508	Bolt Rdhd Sqnk 5/16-18 Unc x 1
202	872110612	Bolt Carr Sh 3/8-16 x 1-1/2 Gr.5

NOTE: All component dimensions given in U.S. inches
1 inch = 25.4 mm

REPAIR PARTS

TRACTOR - - MODEL NO. YTH170 (HFYTH170F) PRODUCT NO. 954 82 01-31
STEERING ASSEMBLY



REPAIR PARTS

TRACTOR - - MODEL NO. YTH170 (HFYTH170F) PRODUCT NO. 954 82 01-31
STEERING ASSEMBLY

Correction:

1 532166627

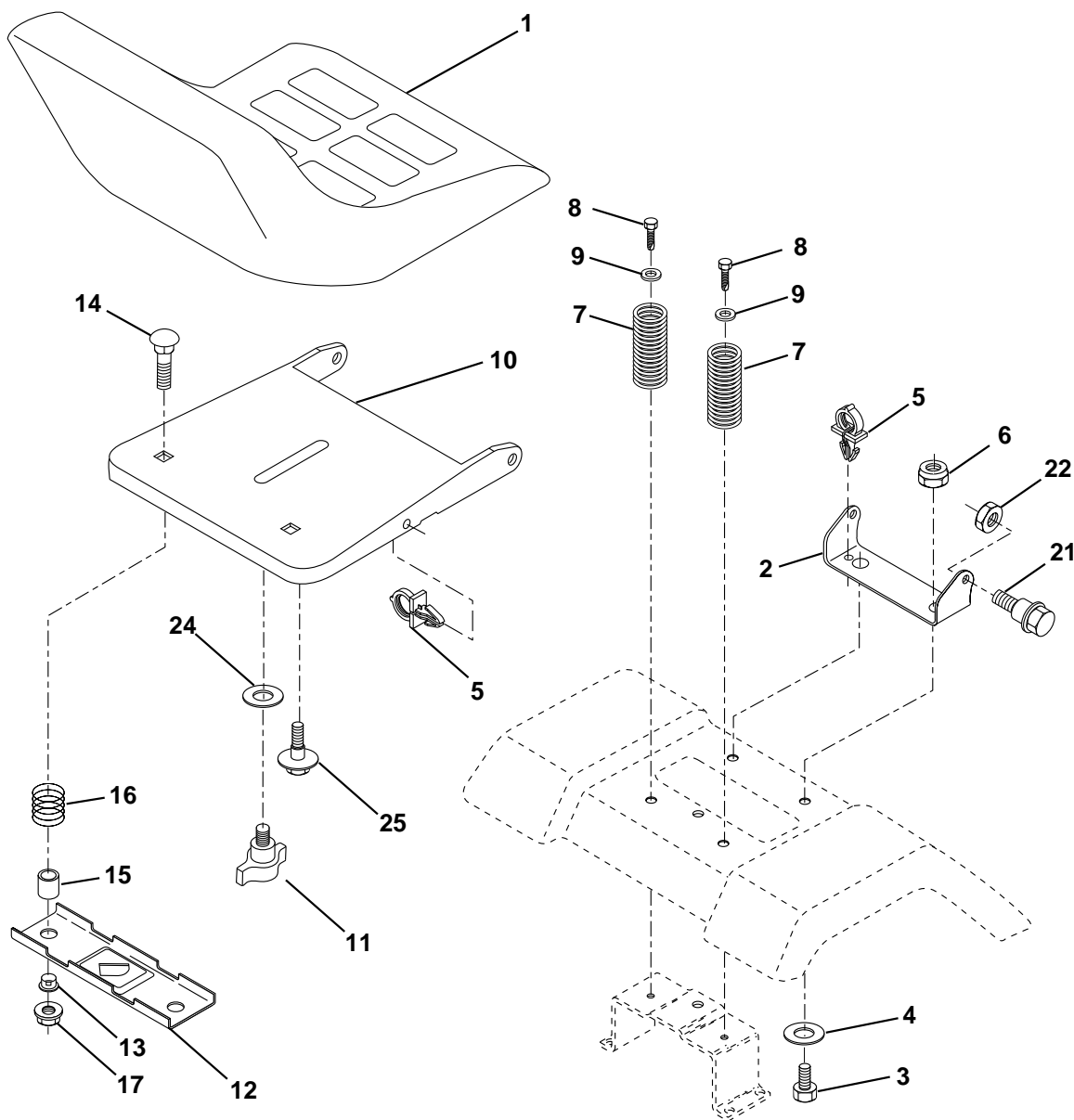
38 532166626

KEY NO.	PART NO.	DESCRIPTION
1	532159944	Wheel Steering
2	532172393	Axle Asm Cast Iron
3	532169840	Spindle Asm LH
4	532169839	Spindle Asm RH
5	532124931	Bearing Race Thrust Harden
6	532121748	Washer 25/32 X 1-5/8 X 16 Ga
8	812000029	Ring Klip #t5304-75
10	532175121	Link Drag
11	810040600	Washer Lock Hvy Hlcl Spr 3/8
13	532136518	Spacer Brg Axle Front
15	532145212	Nut Hex Flange Lock
17	532177876	Shaft Asm Strg Private Label
29	817060612	Screw 3/8-16x3/4
32	532171888	Rod Tie
33	819111216	Washer 11/32 x 3/4 x 16 Ga.
34	810040500	Washer Lock Hry Hlcl Spr 5/16
35	873540500	Crownlock Nut 5/16 - 24 UNF
36	532155099	Bushing Strg
37	532152927	Screw TT #32.5 x 5 x 3/8 Flange
38	532159946	Cap Wheel Steer
39	819132411	Washer 13/32 x 1-1/20 x 11 Ga
40	532124701	Nut Lock Center 3/8-24 Unf
41	532159945	Adaptor Wheel Strg
42	532145054	Boot Dash Steering
43	532121749	Washer 25/32 X 1 1/4 X 16 Ga
44	532153720	Extension Steering Non-adjust
46	532121232	Cap Spindle Fr Top Blk
51	873800500	Nut Lock Hex W/Ins 5/16-18 UNC
54	874780520	Bolt Fin Hex 5/16-18 UNC x 1-1/4
63	874780616	Bolt Fin Hex 3/8-16 UNC x 1 Gr. 5
65	532160367	Spacer Brace Axle
67	872140618	Bolt Rdhd Sq 3/8-16 x 2-1/4
68	532169827	Brace, Axle
71	532175146	Steering Arm
82	532169835	Bracket Susp Chassis Front
87	532173966	Washer Flat .781 x 1-1/2 x .14
88	532175118	Bolt Shoulder 7/16-20
91	532175553	Clip Steering

NOTE: All component dimensions given in U.S. inches
1 inch = 25.4 mm.

REPAIR PARTS

TRACTOR - - MODEL NO. YTH170 (HFYTH170F) PRODUCT NO. 954 82 01-31
SEAT ASSEMBLY



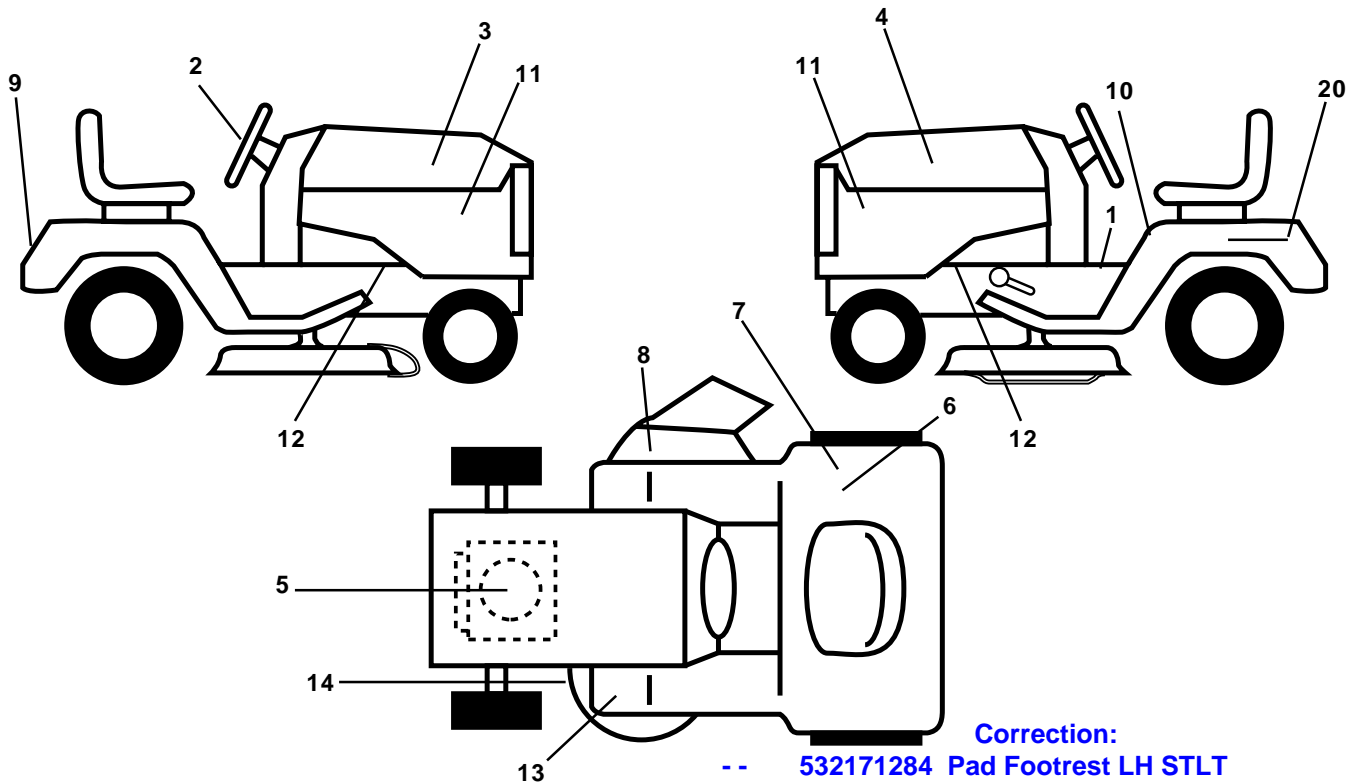
KEY NO.	PART NO.	DESCRIPTION
1	532140840	Seat
2	532140551	Bracket Pivot Seat 8 720
3	871110616	Bolt Fin Hex 3/8-16unc X 1
4	819131610	Washer 13/32 X 1 X 10 Ga
5	532145006	Clip Push-In
6	873800600	Nut Lock 3/8-16 Unc
7	532124181	Spring Seat Cprsn 2 250 Blk Zi
8	817000616	Screw 3/8-16 X 1-1/2
9	819131614	Washer 13/32 X 1 X 14 Ga.
10	532174894	Pan Seat
11	532166369	Knob Seat

KEY NO.	PART NO.	DESCRIPTION
12	532121246	Bracket Mounting Switch
13	532121248	Bushing Snap Blk Nyl 50 Id
14	872050412	Bolt Rdhd Sht Nk 1/4-20x1-1/2
15	532121249	Spacer Split 28 x 88 Zinc
16	532123740	Spring Cprsn
17	532123976	Nut Lock 1/4 Lge Flg Gr 5 Zinc
21	532171852	Bolt Shoulder 5/16-18 Unc-2A
22	873800500	Nut Hex Lock W/Ins 5/16-18
24	819171912	Washer 17/32 X 1-3/16 X 12 Ga.
25	532127018	Bolt Shoulder 5/16-18 X 62

NOTE: All component dimensions given in U.S. inches.
1 inch = 25.4 mm

REPAIR PARTS

TRACTOR - - MODEL NO. YTH170 (HFYTH170F) PRODUCT NO. 954 82 01-31
DECALS



Correction:

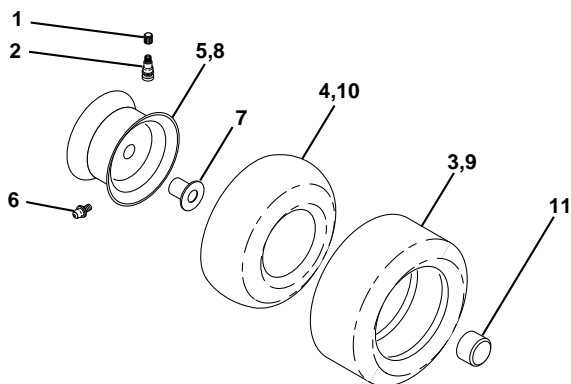
-- 532171284 Pad Footrest LH STLT

-- 532171285 Pad Footrest RH STLT

KEY NO.	PART NO.	DESCRIPTION
1	532140837	Decal Saddle Parking
2	532170564	Decal Wheel Steering
3	532162849	Decal Hood RH
4	532162851	Decal Hood LH
5	532176679	Decal HP Engine
6	532126187	Decal 100 DBA
7	532145437	Decal Europe Stand CE
8	532145494	Decal Mower Cut/Finger
9	532150617	Decal Fender Husq
10	532145498	Decal Read Owner's Man Syms
11	532159713	Decal Panel Side B & S Logo
12	532159736	Decal Chassis Hot Muffler
13	532159737	Decal Brake/Clutch Symbol LT

KEY NO.	PART NO.	DESCRIPTION
14	532160396	Decal V-Belt Schematic
20	532145005	Decal Bat Dan/Psn
--	532169210	Decal By Pass Lt Hydro
--	532165800	Pad Footrest LH STLT
--	532165799	Pad Footrest RH STLT
--	532138311	Decal Handle Lft Height Adjust
--	532176146	Manual Operator's (Euro)
--	532176147	Manual Operator's (Scand)
--	532162598	Decal Drawbar Load Limit
Available accessories not included with tractor:		
--	MK420	Mulch Kit w/Blades
--	C42	Grass Catcher

WHEELS & TIRES

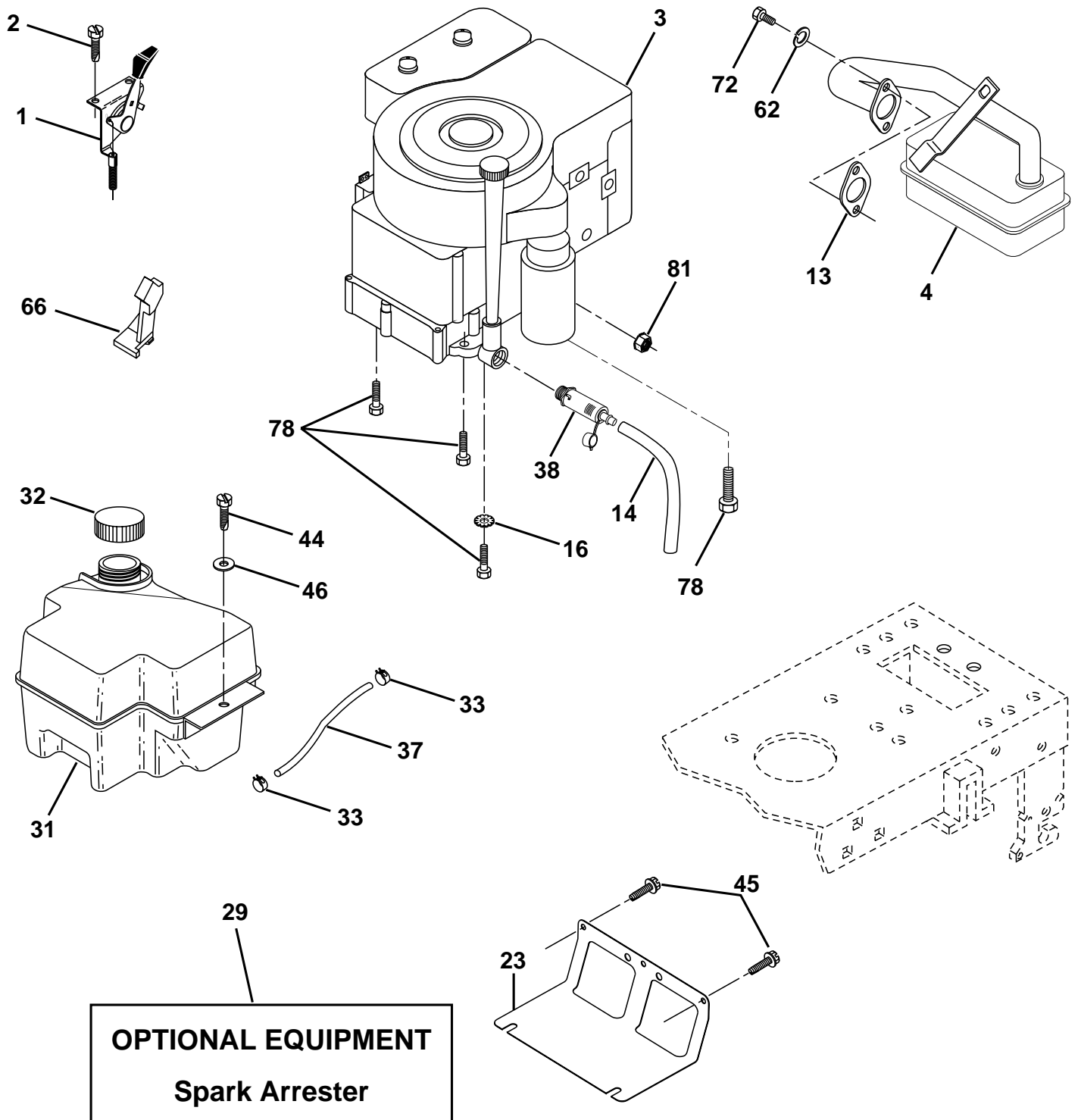


KEY NO.	PART NO.	DESCRIPTION
1	532059192	Cap Valve Tire
2	532065139	Stem Valve
3	532106222	Tire F Ts 15 X 60 - 6 Service
4	532059904	Tube Front (Service Item Only)
5	532138336	Rim Asm 6"front
6	532124957	Fitting Grease (Front Wheel Only)
7	532124959	Bearing Flange (Front Wheel Only)
8	532138337	Rim Asm 8"rear
9	532122082	Tire R Ts 20 x 10-8 C Service
10	532124926	Tube Rear (Service Item Only)
11	532175039	Cap Axle Blk 1 50 X 1 00
--	532144334	Sealant, Tire (10 oz. Tube)

NOTE: All component dimensions given in U.S. inches
1 inch = 25.4 mm

REPAIR PARTS

TRACTOR - - MODEL NO. YTH170 (HFYTH170F) PRODUCT NO. 954 82 01-31
ENGINE



REPAIR PARTS

TRACTOR - - MODEL NO. YTH170 (HFYTH170F) PRODUCT NO. 954 82 01-31
ENGINE

KEY NO.	PART NO.	DESCRIPTION
1	532170865	Control Th/ch Flag
2	817720410	Screw Hex Thd Cut 1/4-20x5/8 T
3	-----	Engine, Briggs Model 311777 (Order parts from engine manufacturer)
4	532137352	Muffler LT B&S 15 HP IC OHV
13	532165291	Gasket
14	532148456	Tube Drain Oil Easy
16	811050600	Washer Lock Ext Tooth 3/8
23	532169837	Shield Browning/Debris Guard
29	532137180	Kit Spark Arrestor (Flat Scrn)
31	532174642	Tank Fuel Front 2 00
32	532140527	Cap Asm Fuel W/sym Vented
33	532123487	Clamp Hose Black
37	532137040	Line Fuel 20"
38	532148315	Plug Drain Oil Easy
44	817670412	Screw Hexwsh Thdrol 1/4-20x3/4
45	817000612	Screw Hexwsh Thdr 3/8-16 x 3/4
46	819091416	Washer 9/32 X 7/8 X 16 Ga
62	810040500	Washer Lock Hvy Hlcl Spr 5/16
66	532127951	Stop Throttle
72	871070512	Screw Hexhd Cap 5/16-18x 3/4
78	817060620	Screw 3/8-16x1-1/4
81	873510400	Nut Keps Hex 1/4-20 Unc

NOTE: All component dimensions given in U.S. inches
1 inch = 25.4 mm

REPAIR PARTS

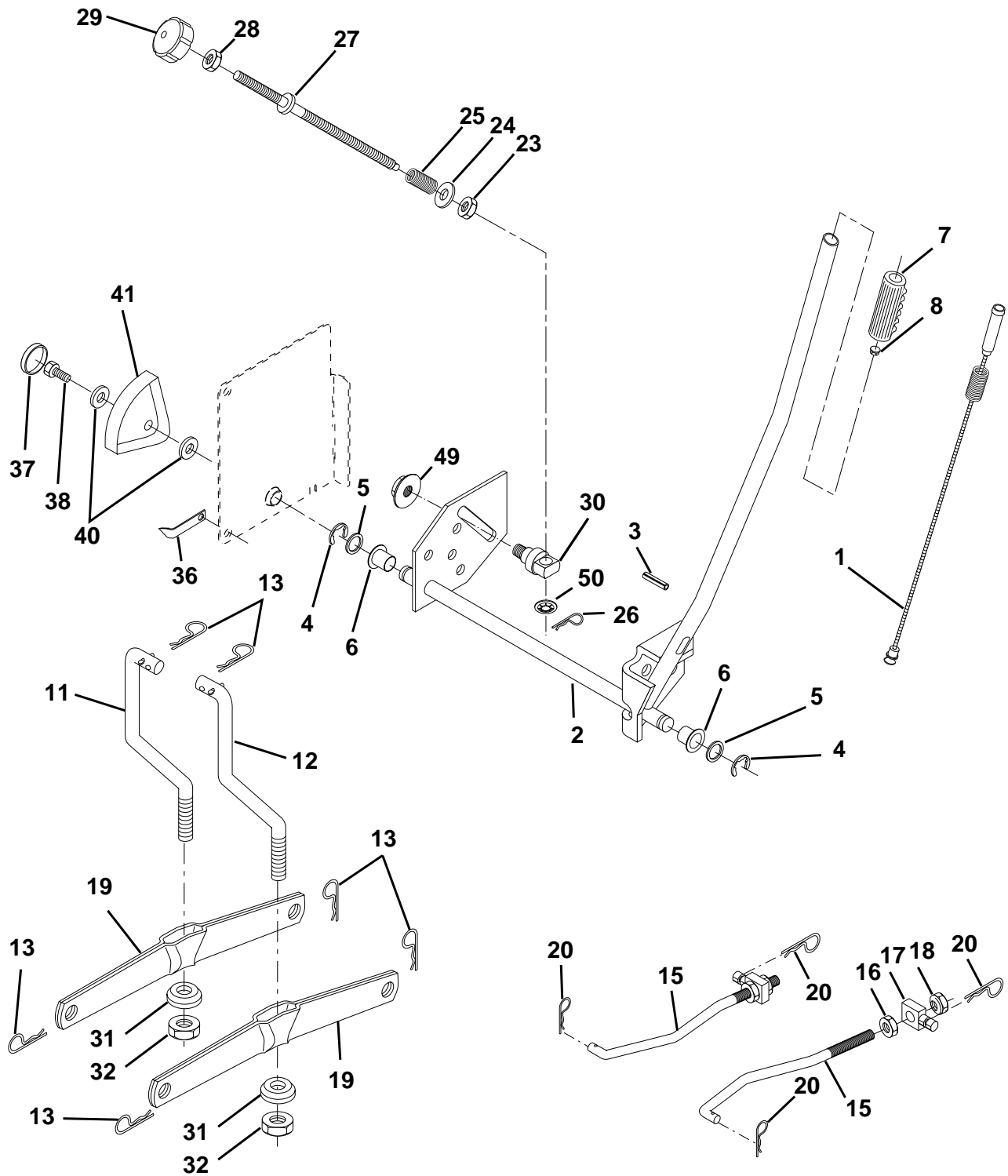
TRACTOR - - MODEL NO. YTH170 (HFYTH170F) PRODUCT NO. 954 82 01-31
MOWER DECK

KEY NO.	PART NO.	DESCRIPTION	KEY NO.	PART NO.	DESCRIPTION
1	532165892	Housing Asm Mower 42"94 T-Path	59	532141043	Guard, Belt
2	872140506	Bolt Rdhd Sqnk 5/16-18unc X3/4	61	532174882	Spring Ext. Elect
3	532138017	Bracket Asm Fr Sway Bar 38/42	68	532174883	V-Belt Mower
4	532165460	Bracket Asm Deck 42"sway Bar	90	817060612	Screw 3/8-16 X .75
5	532124670	Retainer Spring	91	532175746	Bracket Asm Noseroller LH
6	532130832	Arm Suspension Rear	92	873800600	Nut Lock Hex w/ins. 3/8-16 UNC
8	532850857	Bolt 3/8-24x1 25 Gr8 Patched	93	819171416	Washer 17/32 X 7/8 X 16 Ga
9	810030600	Washer Lock Hvy 3/8 Unplated	94	532132264	Roller Nose 38 & 42
10	532140296	Washer Hard Blade Mower Vented	95	532175747	Bracket Asm Noseroller RH
11	532138498	Blade Mower High Lift"	111	532155197	Bracket Gauge Wheel Lh
13	532137645	Shaft Asm W/lower Bearing	112	532155198	Bracket Gauge Wheel Rh
14	532128774	Housing Mandrel Vented(machd)	113	817060514	Screw 5/16-18
15	532110485	Bearing Ball Mandrel	114	873510500	Nut Keps 5/16-18 UNC
16	532174493	Stripper Round Mower	115	872110504	Bolt Carriage 5/16-18unc x 1/2
18	872140505	Bolt Carr 5/16-18 X 5/8	116	532124842	Bolt Shoulder
19	532132827	Bolt Shoulder	117	532165746	Wheel Gauge
20	532159770	Baffle Vortex 42	118	873930600	Nut Centerlock 3/8-16 UNC
21	873680500	Nut Crown Lock 5/16-18	119	819121414	Washer 3/8 x 7/8 x 14 Ga.
22	532134753	Stiffener Bracket 42"deck	121	532143723	Bracket Extruded Gauge Wheel
23	532131267	Bracket Deflector Mower 42"	129	819131312	Washer 13/32 x 13/16 x 12 Ga.
24	532105304	Cap Sleeve 80x 112 Blk Mower	130	874780616	Bolt Fin Hex 3/8-16 UNC x 1 Gr. 5
25	532123713	Spring Torsion Deflector 2 52	131	872140608	Bolt Rdhd Sqnk 3/8-16 UNC x1
26	532110452	Nut Push Phos & Oil	143	532157109	Bracket Arm Idler
27	532130968	Shield Deflector	144	532158634	Keeper Belt
28	819111016	Washer 11/32 X 5/8 X 16 Ga	145	532165888	Pulley Idler Flat
29	532131491	Rod Hinge 42"6 75 Wlg	146	532171977	Bolt Carriage Idler
30	532157722	Screw Thd Rolling Washer Head	148	532169022	Spring Return Idler
31	532129963	Washer Spacer Mower Vented	149	532165898	Retainer Spring Yellow
32	532153535	Pulley Mandrel	150	819091216	Washer 9/32 x 3/4 x 16
33	532137266	Nut 9/16top Lock Flng Cntr	159	872140614	Bolt RDHD Sqn 3/8-16 x 1-3/4
34	872110614	Bolt RDHD 3/8-16 x 1-3/4	--	532176207	Deck Serv 42" Elec Vent (Standard
36	532131494	Pulley Idler Flat 3 060			Deck - Order Nose Roller and Gauge
37	819131316	Washer 13/32 X 13/16 X 16 Ga			Wheel components separately Key
40	873680600	Nut Lock 3/8-16 Unc			Nos. 90-95 and 111-121)
44	532140088	Guard Mandrel LH Black	--	532130794	Mandrel Assembly (Includes Key
45	532124788	Retainer Spring			Numbers 8-10, 13-15, 31 and 33)
46	532137729	Screw Thdrol 1/4-20x5/8			
54	532133943	Washer Hardened			
55	532155046	Arm Idler 42"mower LT/YT			
56	532165723	Spacer Retainer Mower			

NOTE: All component dimensions given in U.S. inches
1 inch = 25.4 mm

REPAIR PARTS

TRACTOR - - MODEL NO. YTH170 (HFYTH170F) PRODUCT NO. 954 82 01-31
MOWER LIFT



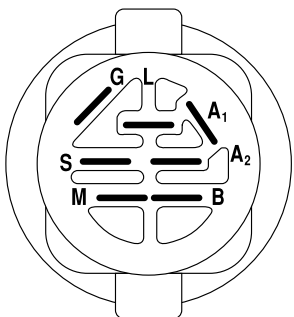
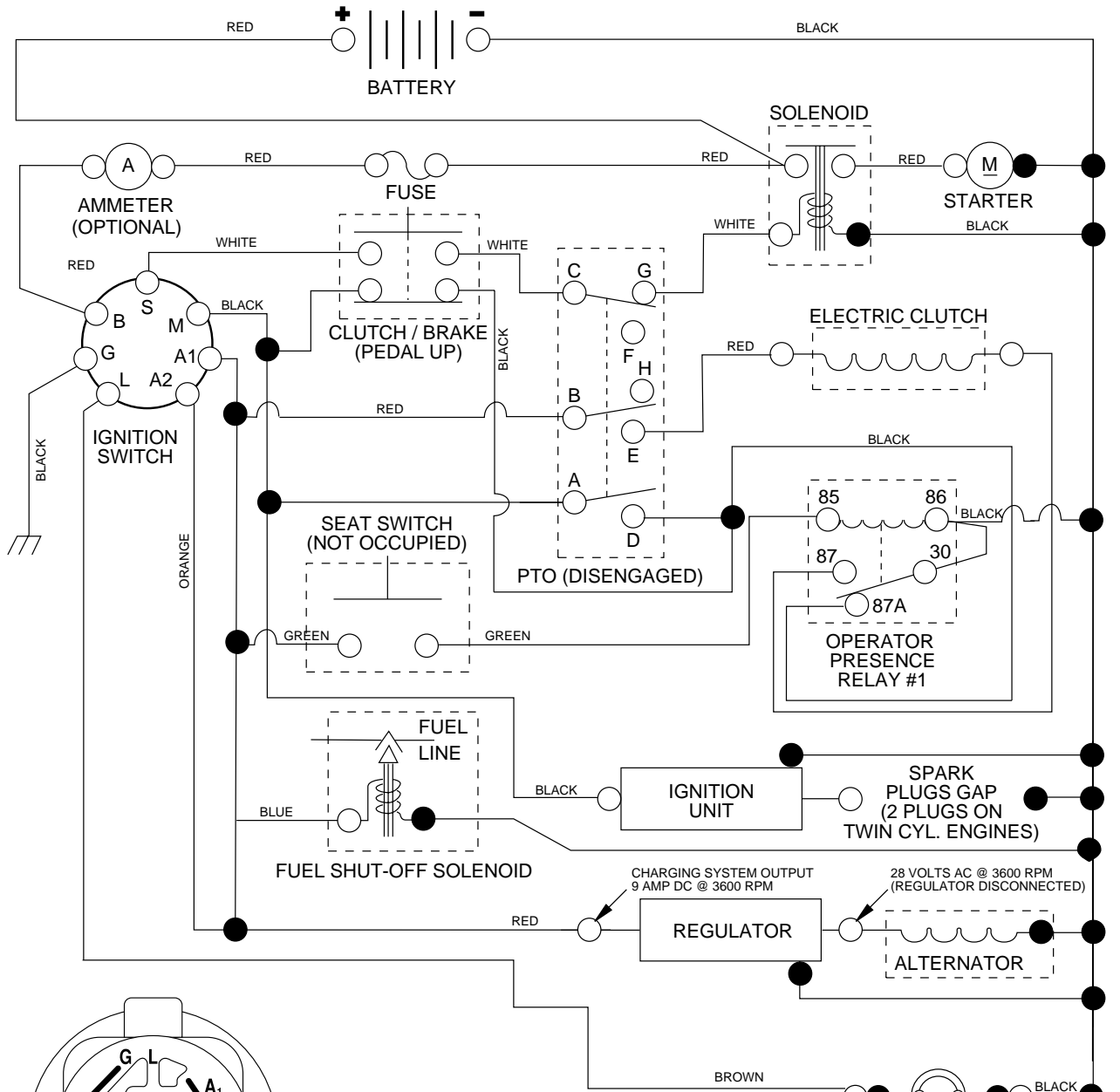
REPAIR PARTS

TRACTOR - - MODEL NO. YTH170 (HFYTH170F) PRODUCT NO. 954 82 01-31
MOWER LIFT

KEY NO.	PART NO.	DESCRIPTION
1	532159460	Wire Asm Inner W/plunger 17 32
2	532159471	Shaft Asm Lift LH Inf Hgt P/L
3	532105767	Pin Groove 1 500 Zinc
4	812000002	E Ring#5133-62
5	819211621	Washer 21/32 X 1 X 21 Ga
6	532120183	Bearing Nylon Blk 629 Id
7	532125631	Grip Handle
8	532124526	Button Plunger Black
11	532139865	Link Lift LH
12	532139866	Link Lift RH
13	532124670	Retainer Spring
15	532173288	Link Front
16	873350800	Nut Jam Hex 1/2-13 Unc
17	532130171	Trunnion Blk Zinc
18	873800800	Nut Lock W/wsh 1/2-13unc
19	532139868	Arm Suspension Rear
20	532163552	Retainer Spring
23	532110807	Nut Special
24	819131016	Washer 13/32 X 5/8 X 16 Ga
25	532124874	Spring 2-1/8"
26	532169484	Retainer Clip
27	532126971	Rod Adj Lift Zinc 7 49 Wrk Lg
28	873350600	Nut Hex Jam 3/8-16 Unc
29	532138057	Knob Inf 3/8-16 Unc Blk W/sym
30	532150233	Trunnion Inf Height
31	532169865	Bearing pvt. Lift
32	873540600	Nut Crownlock 3/8-24
36	532155097	Pointer pnt Height Ind.
37	532123935	Plug hole Blk 1.485/1.515 Dia
38	817060516	Screw 5/16-18 x 1
40	819112410	Washer 11/32 x 1-1/2 10 Ga
41	532155098	Indicator Height
49	532145212	Nut Hex Flange Lock
50	532110452	Push Nut

NOTE: All component dimensions given in U.S. inches
1 inch = 25.4 mm

TRACTOR - - MODEL NO. YTH170 (HFYTH170F) PRODUCT NO. 954 82 01-31 SCHEMATIC



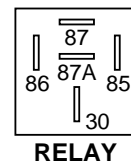
IGNITION SWITCH

POSITION	CIRCUIT	"MAKE"
OFF	M+G+A1	NONE
RUN/LIGHT	B+A1	A2+L
RUN	B+A1	NONE
START	B + S + A1	NONE

WIRING INSULATED CLIPS
NOTE: IF WIRING INSULATED CLIPS WERE REMOVED FOR SERVICING OF UNIT, THEY SHOULD BE REPLACED TO PROPERLY SECURE YOUR WIRING.

POSITION	CIRCUIT
OFF	C + G, B + H
ON	C + F, B + E, A + D

● NON-REMOVABLE CONNECTIONS
 ○ REMOVABLE CONNECTIONS



RELAY

