

KV 03 II Trolley

Spare parts

Ersatzteile

Pièces détachées

Reserve onderdelen

Repuestos

Reservdelar

Replaces

Ersetzt

Remplace

Vervangt

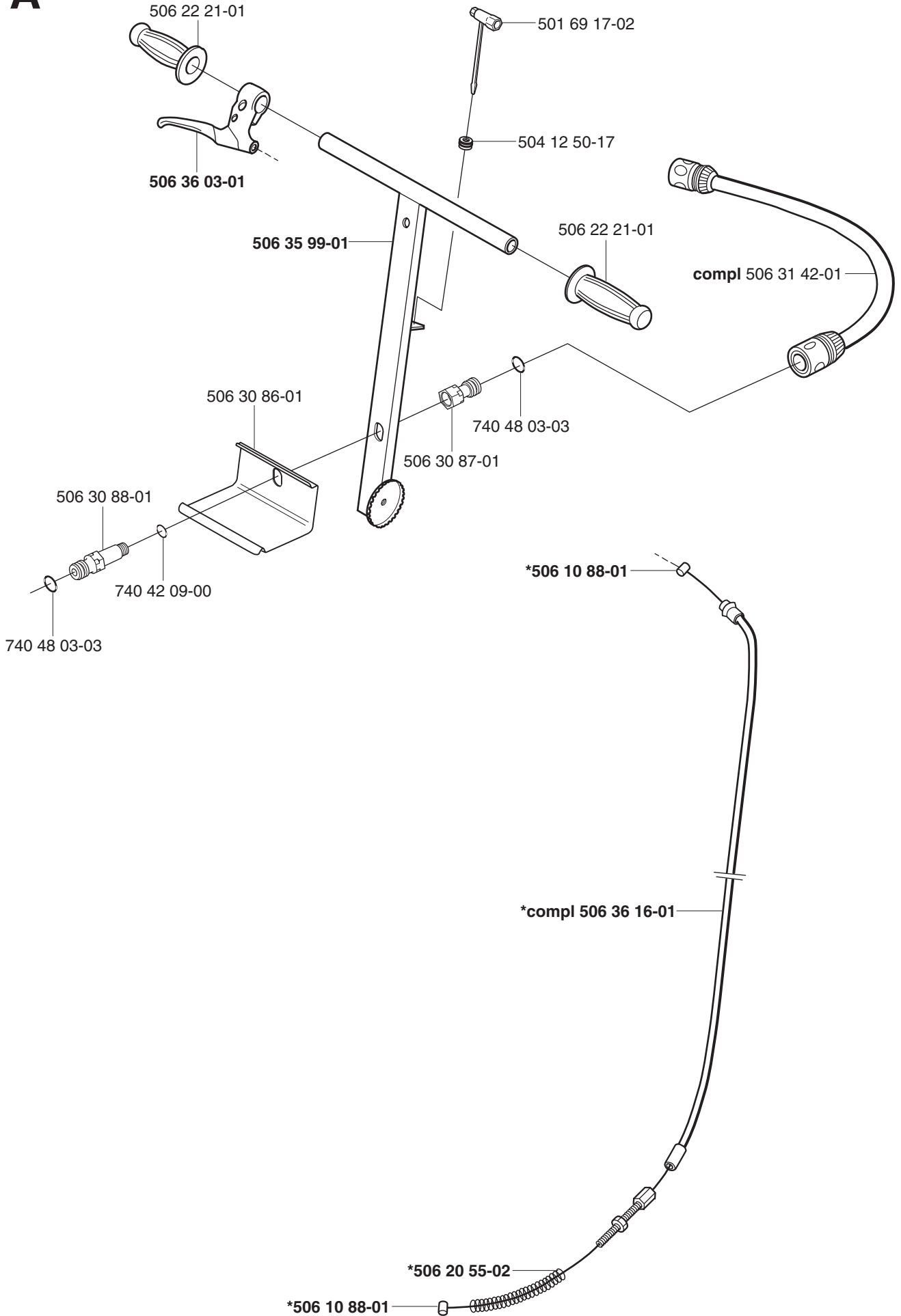
Reemplaza

Ersätter

106 25 95-62

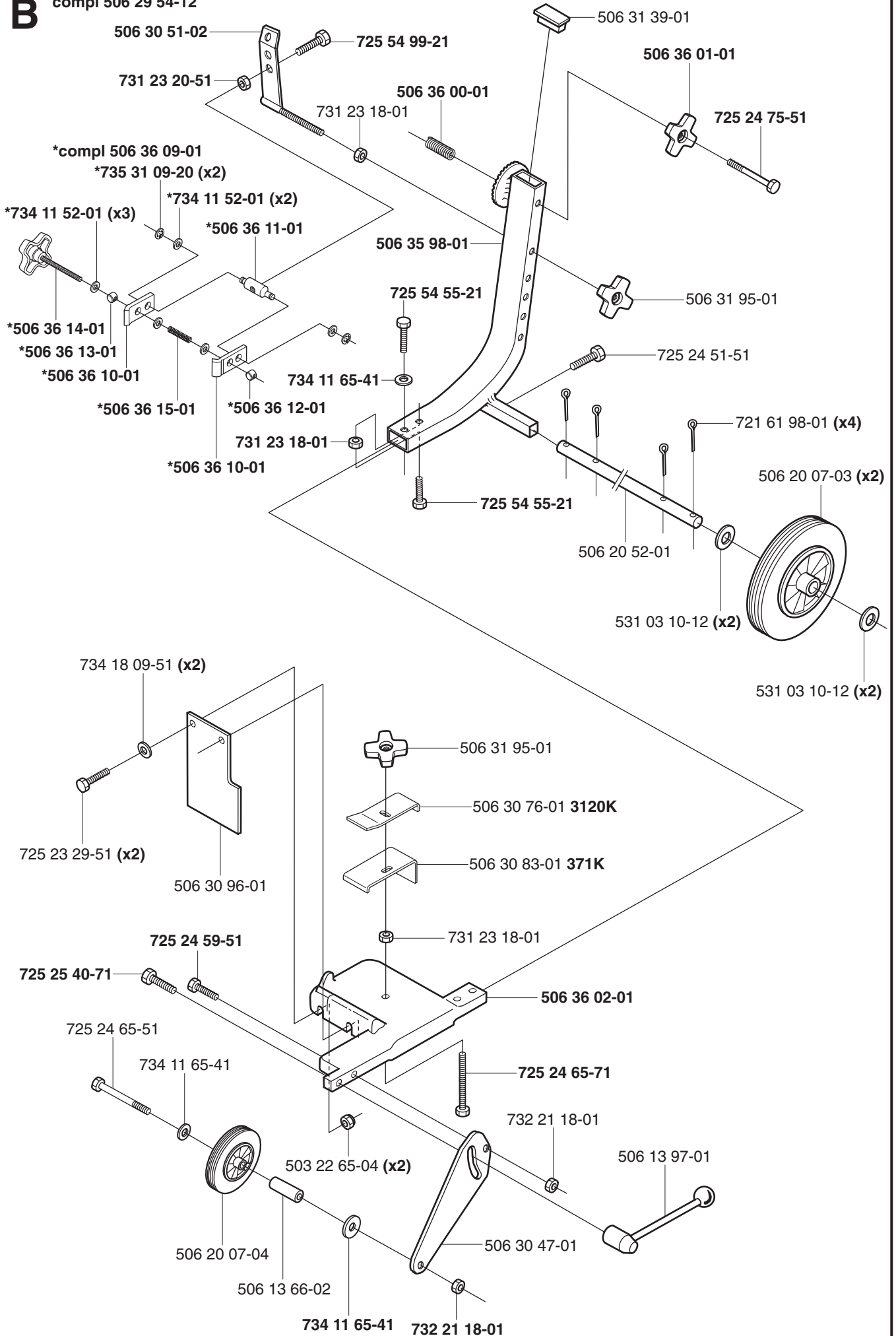
A

compl 506 29 54-12



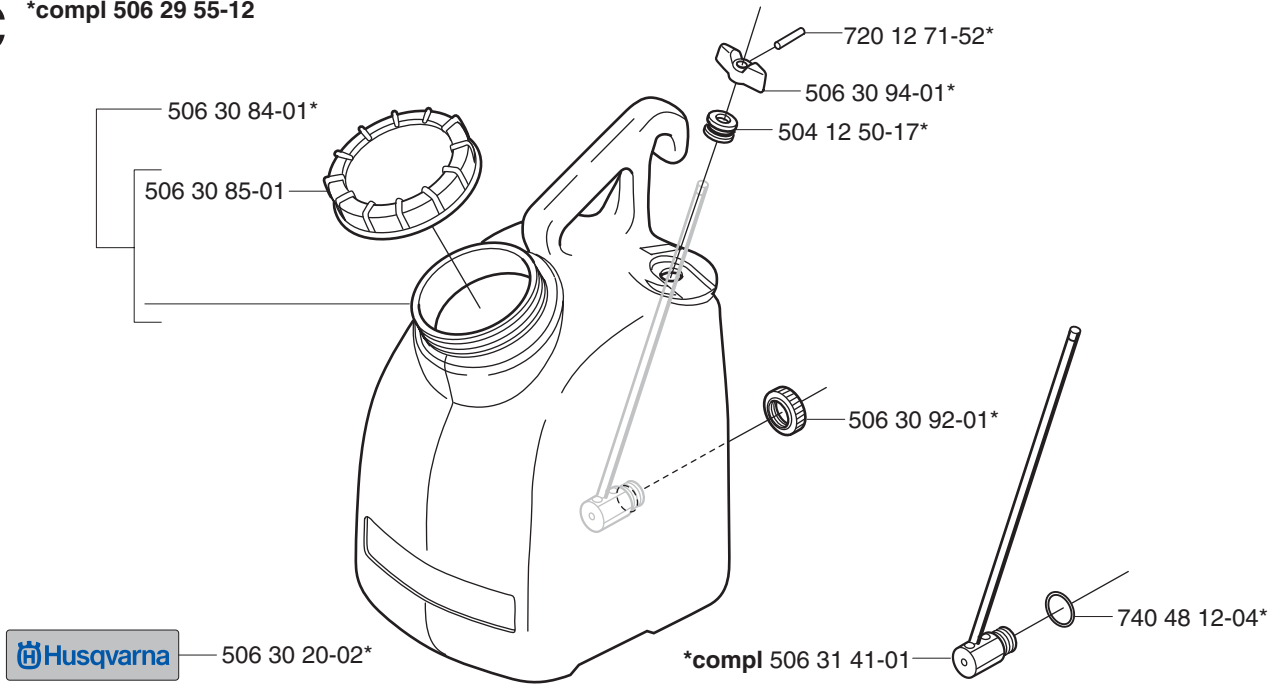
B

compl 506 29 54-12

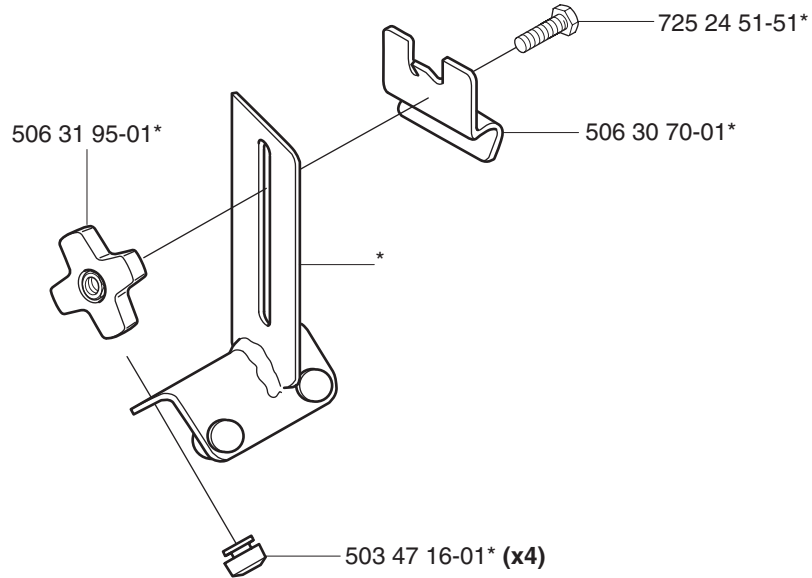
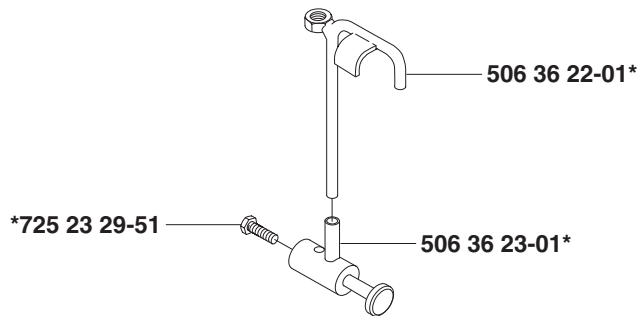
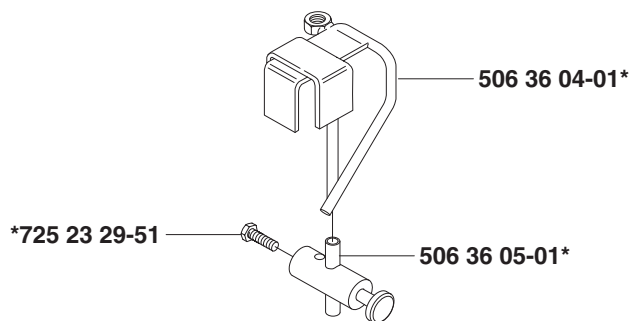


C

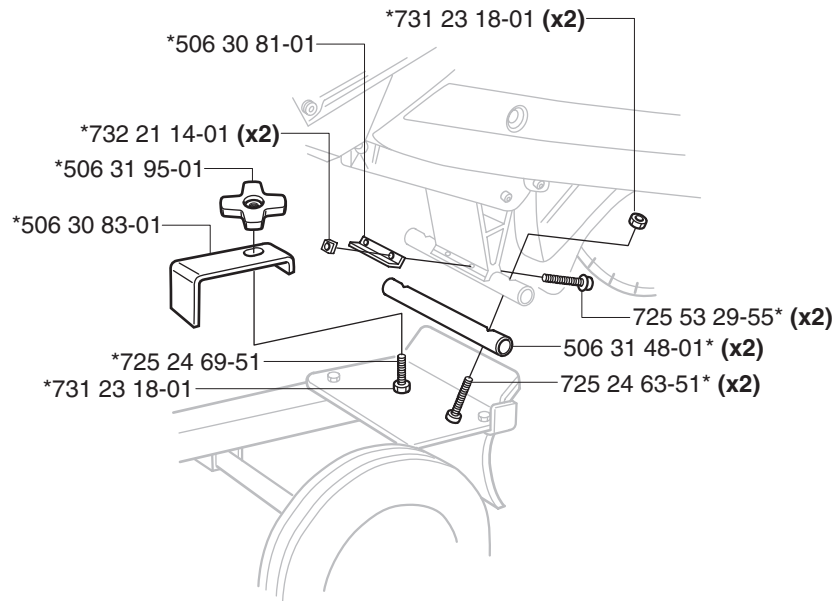
*compl 506 29 55-12

**D**

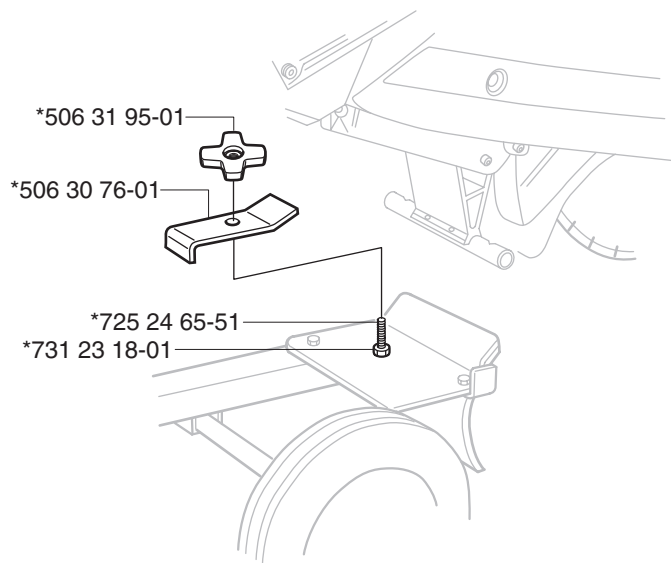
*compl 506 31 05-01

**E**Throttle Kit 371K
*compl 506 36 20-01**F**Throttle Kit 3120K
*compl 506 36 18-01

G Adapter Kit 371K
*compl 506 36 24-01

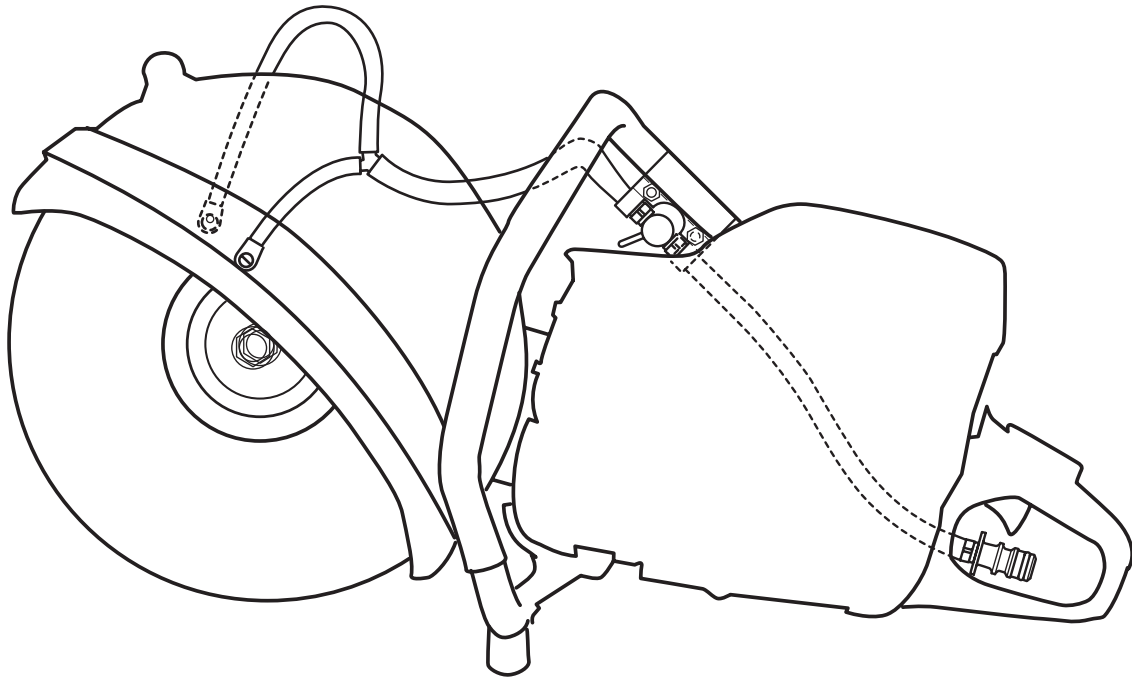
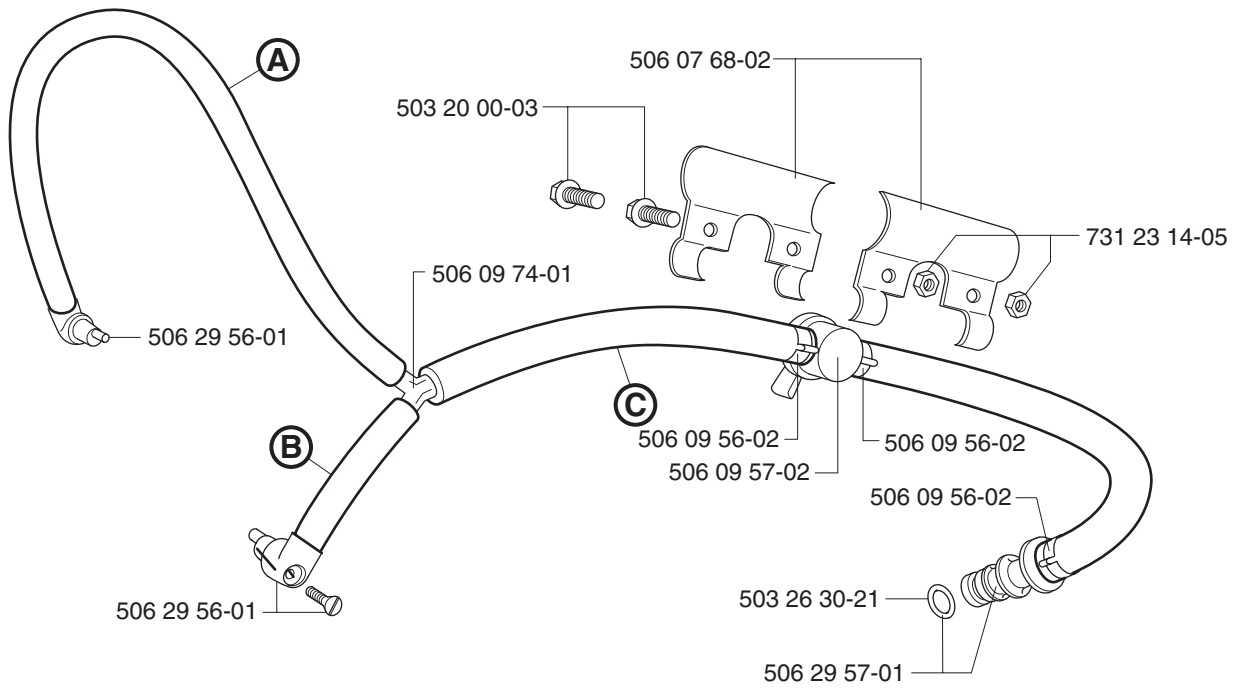


H Adapter Kit 3120K
*compl 506 31 46-01



J

Wet cutting kit 506 29 30-13



Husqvarna Power Cutter		(A)	(B)	(C)
371K	12"	180	50	290
371K	14"	230	50	290
3120K	14"	230	50	340
3120K	16"	290	50	340

K

Husqvarna

Discs 371K & 3120K



506 35 03-02
506 35 03-04
506 35 03-06

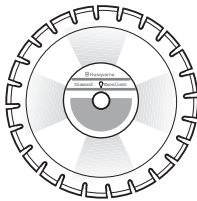
Abresiv
Concrete
Concrete
Concrete

Ø/mm/tum/innerØ
300/12"/20
350/14"/20
400/16"/20

506 35 04-02
506 35 04-04
506 35 04-06

Steel
Steel
Steel

300/12"/20
350/14"/20
400/16"/20



506 29 46-02 **HDC410**
506 29 46-04 **HDC410**
506 29 46-06 **HDC410**

Diamond
Hard Concrete / Wet & Dry cutting
Hard Concrete / Wet & Dry cutting
Hard Concrete / Wet & Dry cutting

Ø/mm/tum/innerØ
300/12"/20
350/14"/20
405/16"/20

506 29 47-02 **HDA900**
506 29 47-04 **HDA900**
506 29 47-06 **HDA900**

Asphalt Brick / Wet & Dry cutting
Asphalt Brick / Wet & Dry cutting
Asphalt Brick / Wet & Dry cutting

300/12" /20
350/14" /20
405/16"/20

506 29 48-02 **HDC 500**
506 29 48-04 **HDC 500**

Concrete / Wet & Dry cutting
Concrete / Wet & Dry cutting

300/12"/20
350/14"/20



506 22 30-09

Rescue
Sintered Carbide

Note!

Ø/mm/tum/innerØ
300/12"/22,2



531 00 60-76

Air Filter Oil
Air Filter Oil

1 Litre

KV 03 II Trolley

PART NUMBER	SQUARE NOTE	PART NUMBER	SQUARE NOTE	PART NUMBER	SQUARE NOTE	PART NUMBER	SQUARE NOTE
501 69 17-02	A	506 36 11-01	B				
503 20 00-03	J	506 36 12-01	B				
503 22 65-04	B	506 36 13-01	B				
503 26 30-21	J	506 36 14-01	B				
503 47 16-01	D	506 36 15-01	B				
504 12 50-17	AC	506 36 16-01	A				
506 07 68-02	J	506 36 18-01	F				
506 09 56-02	J	506 36 20-01	E				
506 09 57-02	J	506 36 22-01	E				
506 09 74-01	J	506 36 23-01	E				
506 10 88-01	A	506 36 24-01	G				
506 13 66-02	B	531 00 60-76	K				
506 13 97-01	B	531 03 10-12	B				
506 20 07-03	B	720 12 71-52	C				
506 20 07-04	B	721 61 98-01	B				
506 20 52-01	B	725 23 29-51	BEF				
506 20 55-02	A	725 24 51-51	BD				
506 22 21-01	A	725 24 59-51	B				
506 22 30-09	K	725 24 63-51	G				
506 29 30-13	J	725 24 65-51	BH				
506 29 46-02	K	725 24 65-71	B				
506 29 46-04	K	725 24 69-51	G				
506 29 46-06	K	725 24 75-51	B				
506 29 47-02	K	725 25 40-71	B				
506 29 47-04	K	725 53 29-55	G				
506 29 47-06	K	725 54 55-21	B				
506 29 48-02	K	725 54 99-21	B				
506 29 48-04	K	731 23 14-05	J				
506 29 54-12	AB	731 23 18-01	BGH				
506 29 55-12	C	731 23 20-51	B				
506 29 56-01	J	732 21 14-01	G				
506 29 57-01	J	732 21 18-01	BGH				
506 30 20-02	C	734 11 52-01	B				
506 30 47-01	B	734 11 65-41	B				
506 30 51-02	B	734 18 09-51	B				
506 30 70-01	D	735 31 09-20	B				
506 30 76-01	BH	740 42 09-00	A				
506 30 81-01	G	740 48 03-03	A				
506 30 83-01	BG	740 48 12-04	C				
506 30 84-01	C						
506 30 85-01	C						
506 30 86-01	A						
506 30 87-01	A						
506 30 88-01	A						
506 30 92-01	C						
506 30 94-01	C						
506 30 96-01	B						
506 31 05-01	D						
506 31 39-01	B						
506 31 41-01	C						
506 31 42-01	A						
506 31 46-01	H						
506 31 48-01	G						
506 31 95-01	BDGH						
506 35 03-02	K						
506 35 03-04	K						
506 35 03-06	K						
506 35 04-02	K						
506 35 04-04	K						
506 35 04-06	K						
506 35 98-01	B						
506 35 99-01	A						
506 36 00-01	B						
506 36 01-01	B						
506 36 02-01	B						
506 36 03-01	A						
506 36 04-01	F						
506 36 05-01	F						
506 36 09-01	B						
506 36 10-01	B						