

3120XP

3120XP EPA

Spare parts

Ersatzteile

Pièces détachées

Reserve onderdelen

Repuestos

Reservdelar

Replaces

Ersetzt

Remplace

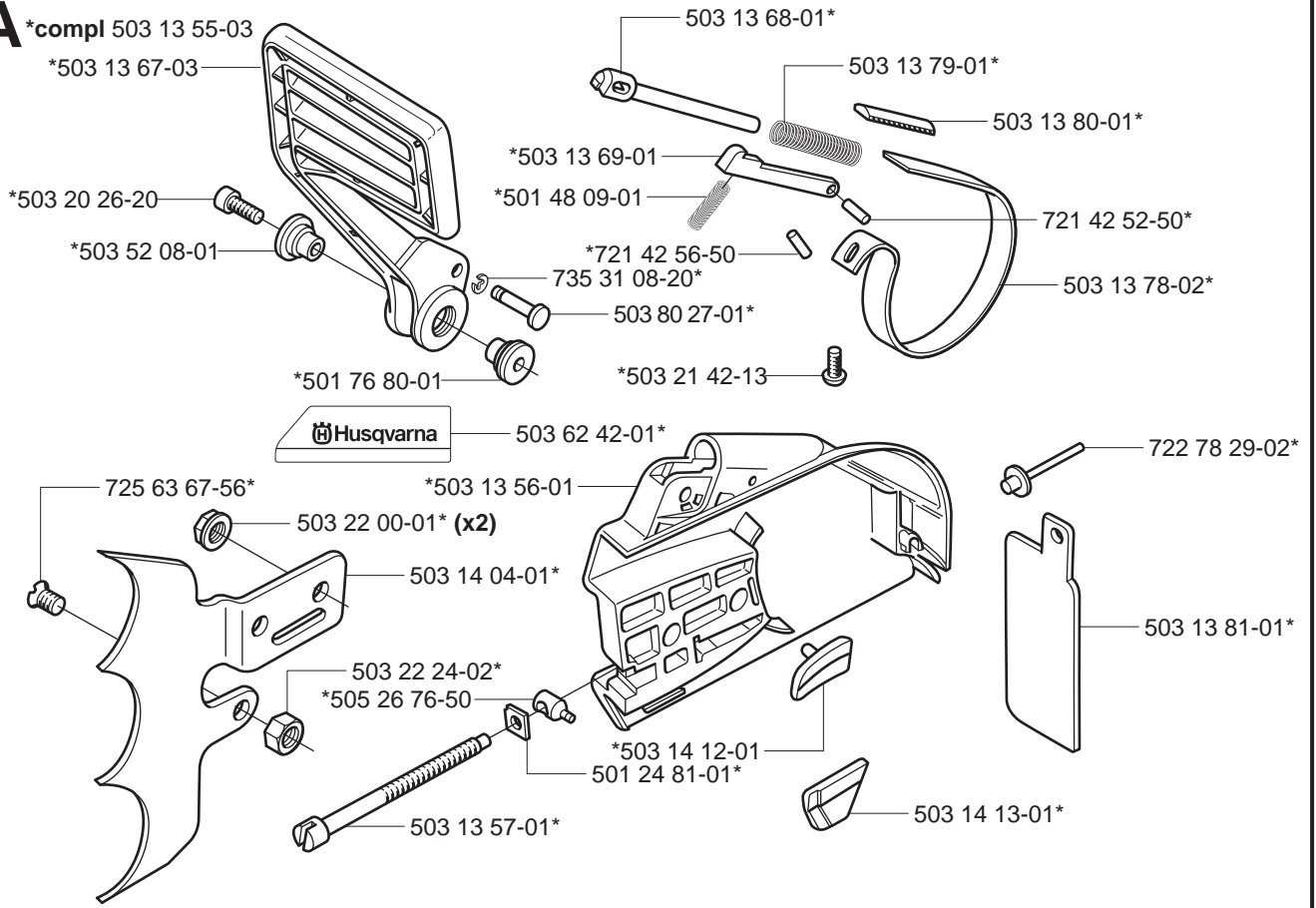
Vervangt

Reemplaza

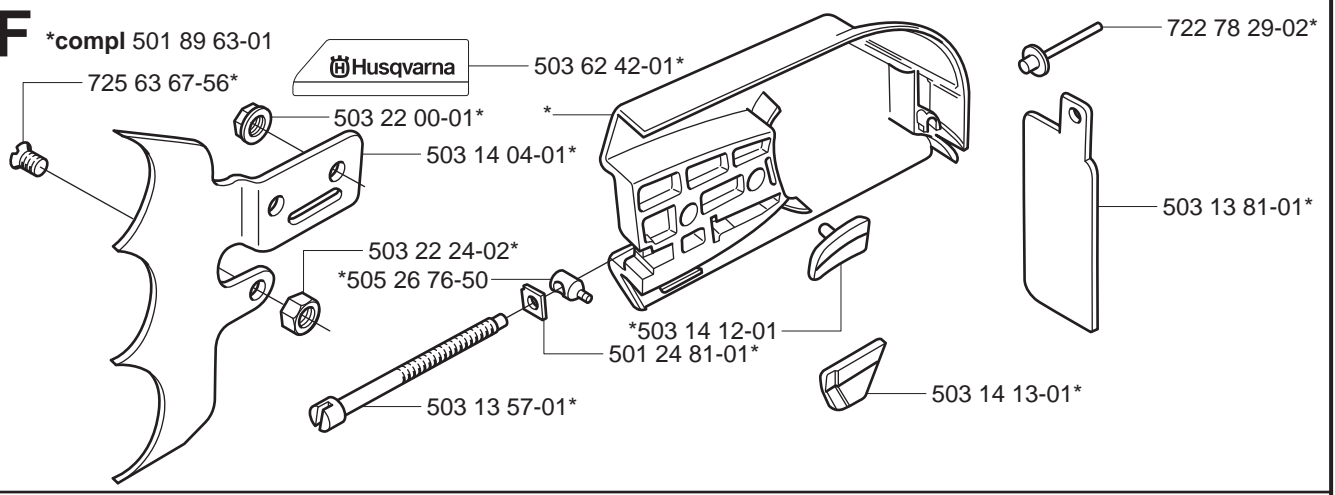
Ersätter

106 22 77-67

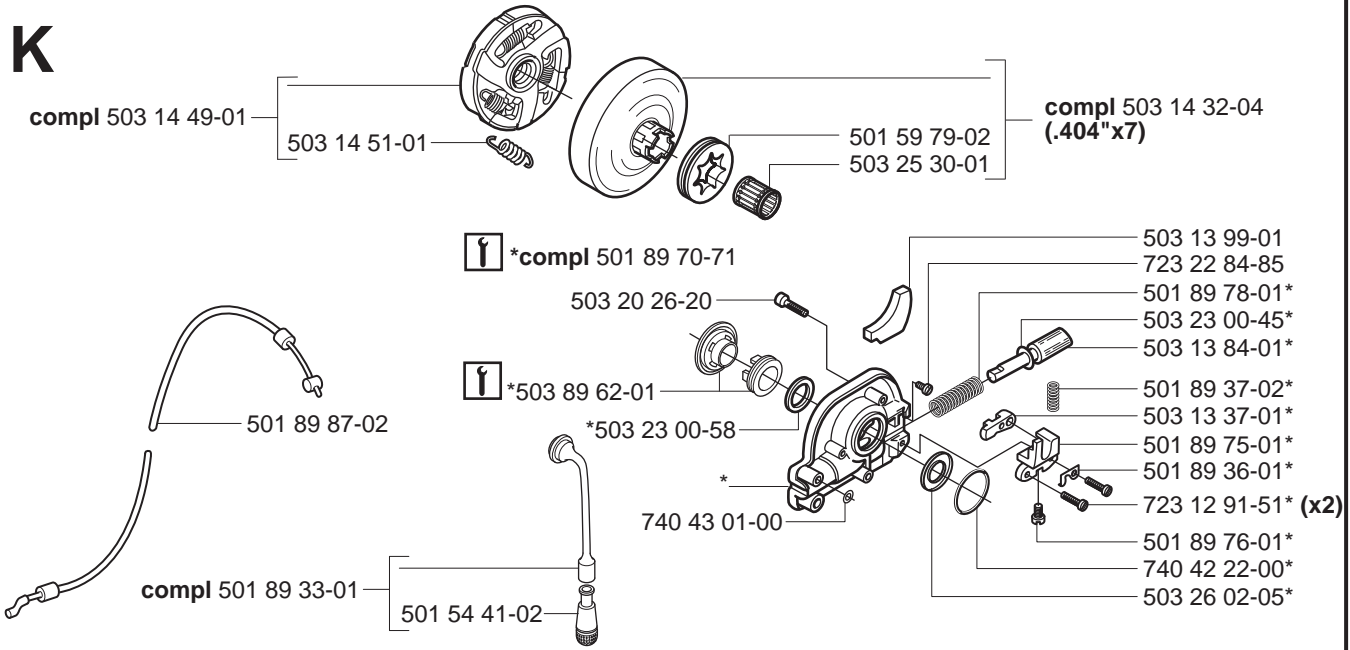
A



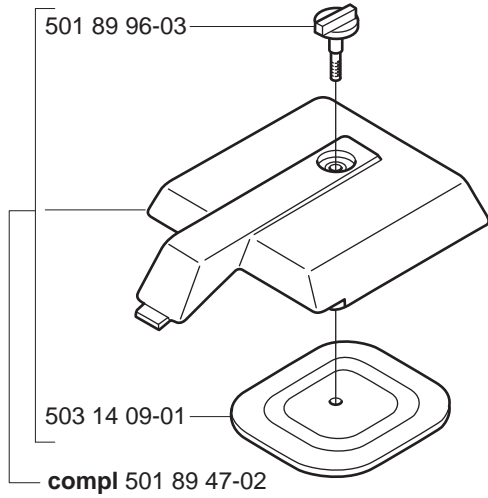
F



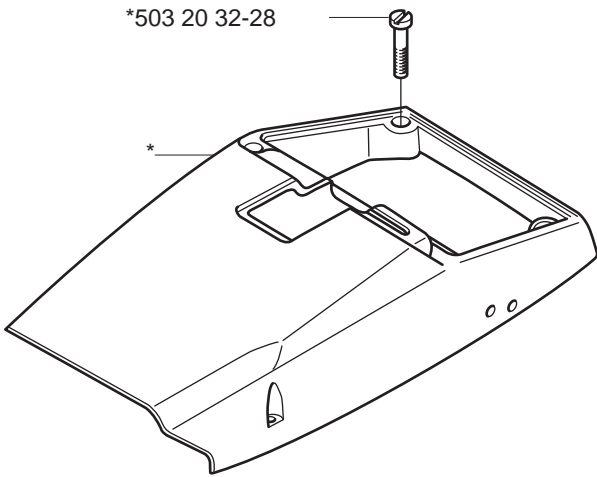
K



B *compl 501 89 44-02



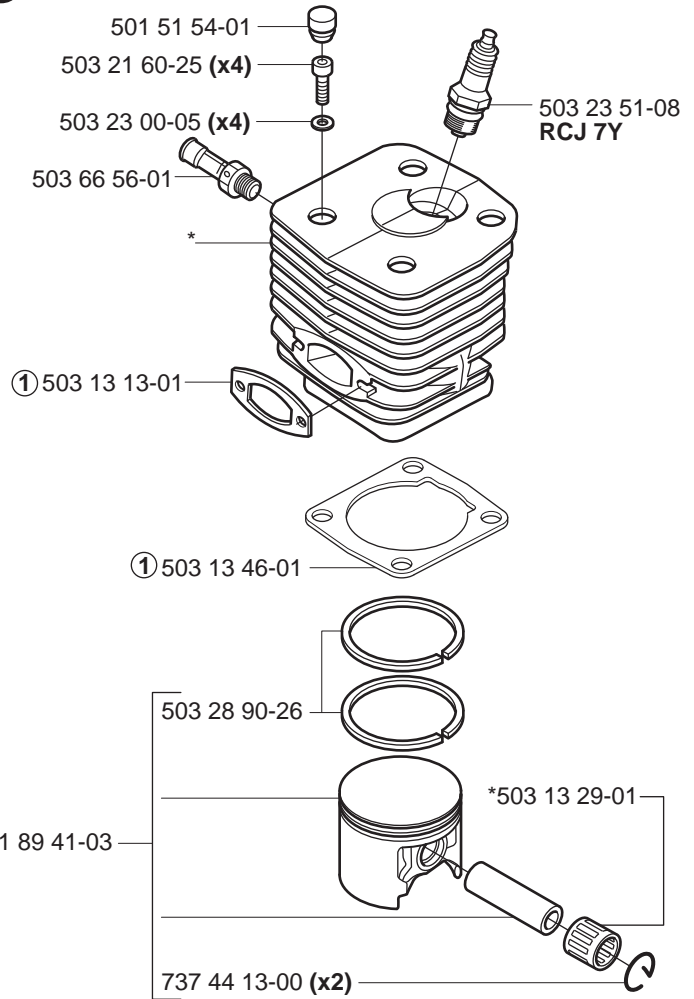
*503 20 32-28



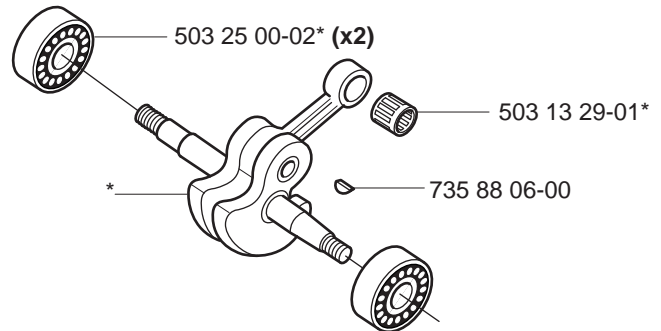
*503 98 74-01



C *compl 506 29 42-71

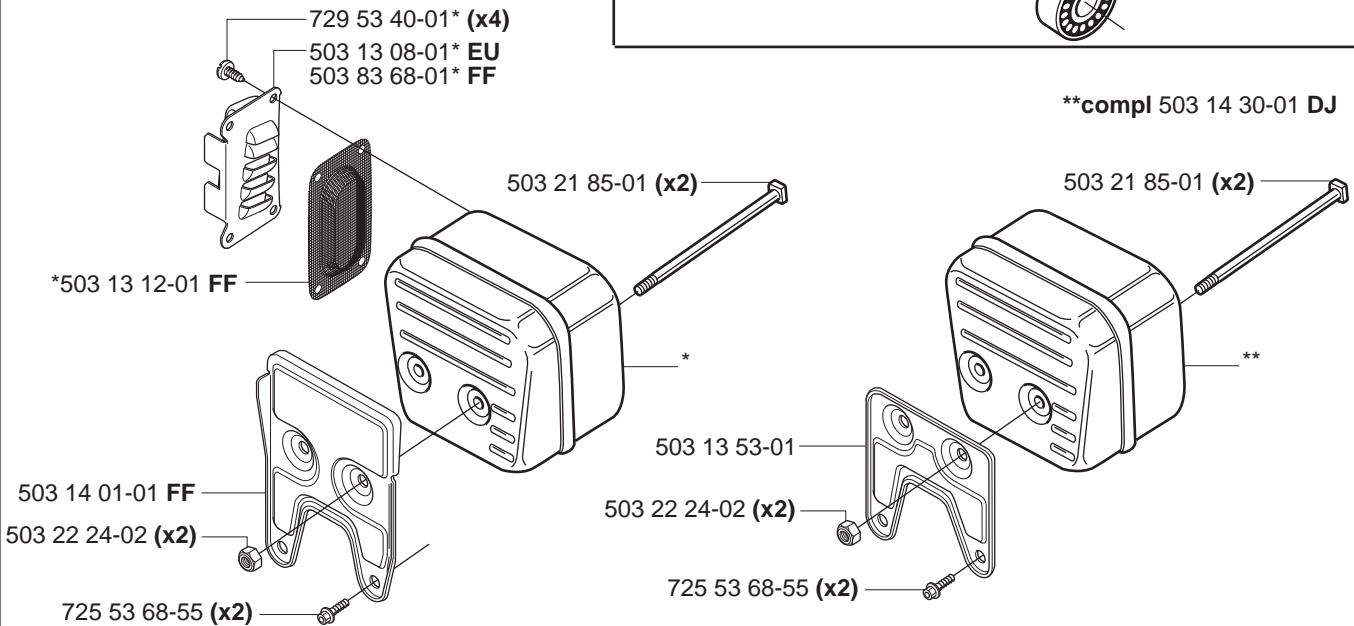


H *compl 503 14 20-73

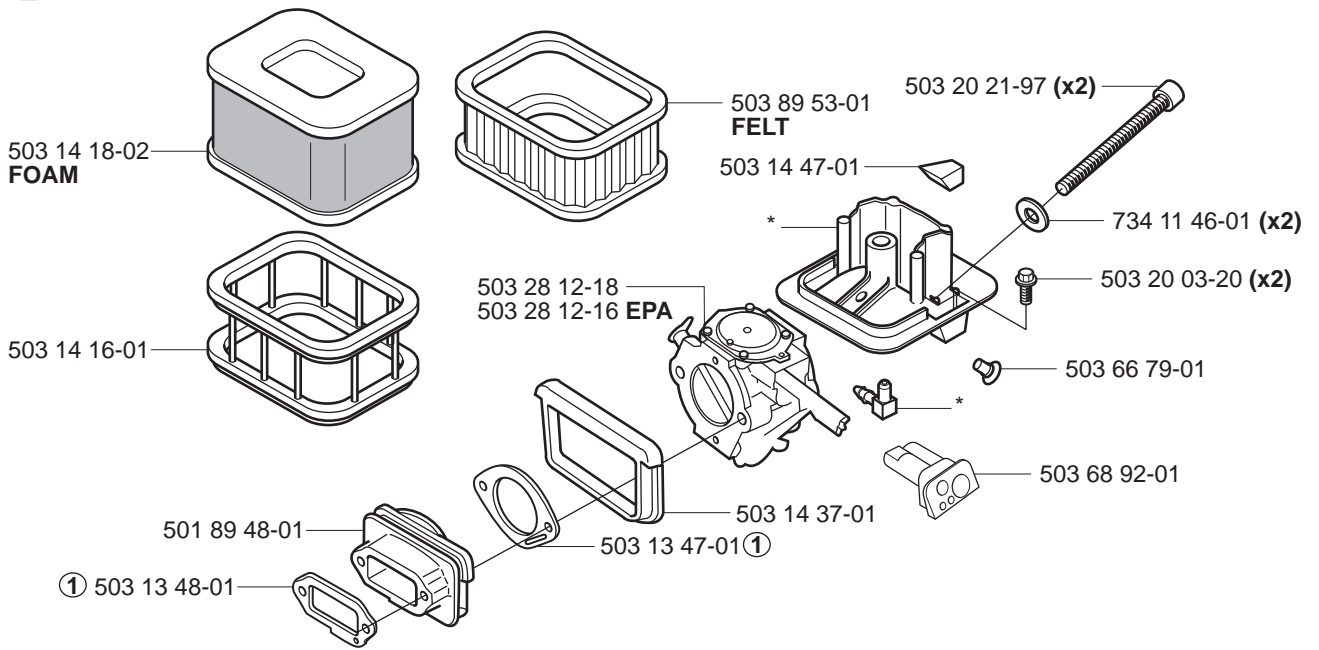


**compl 503 14 30-01 DJ

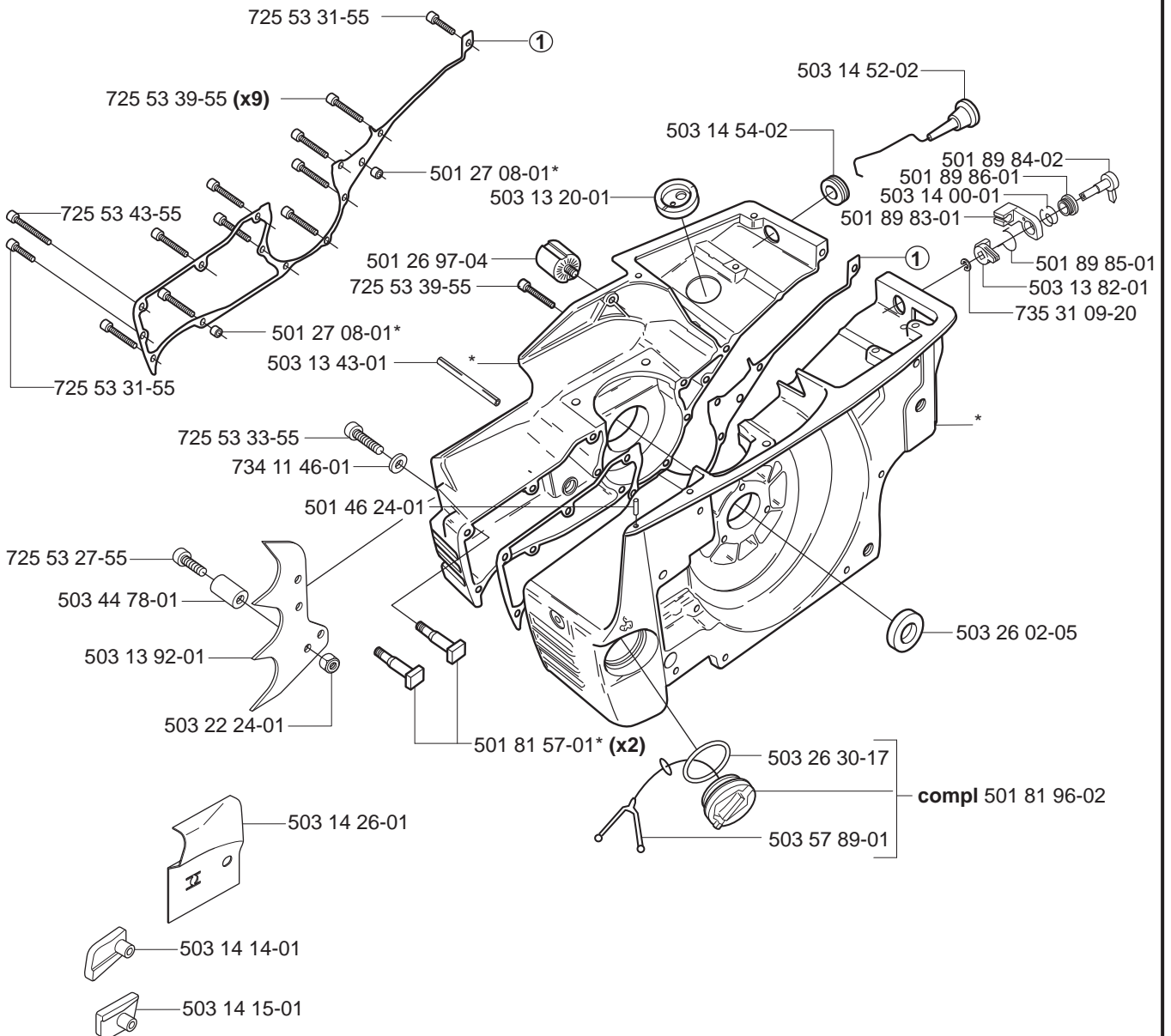
G *compl 503 13 00-01 EU
*compl 503 83 65-01 FF

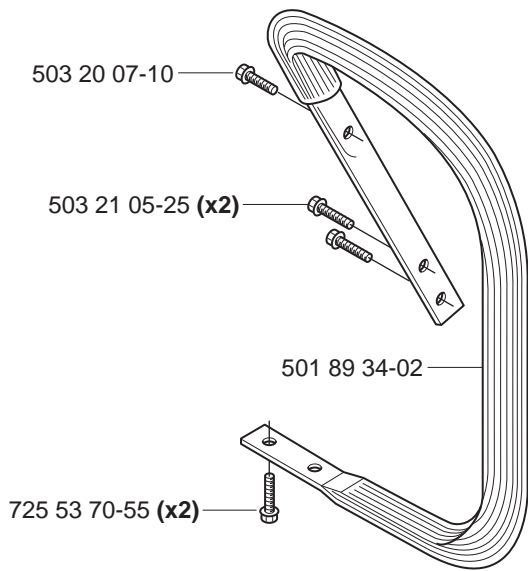
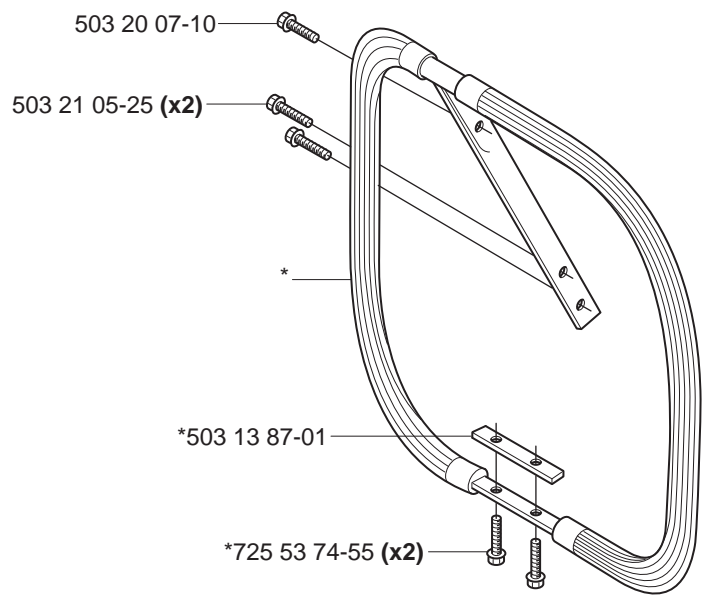
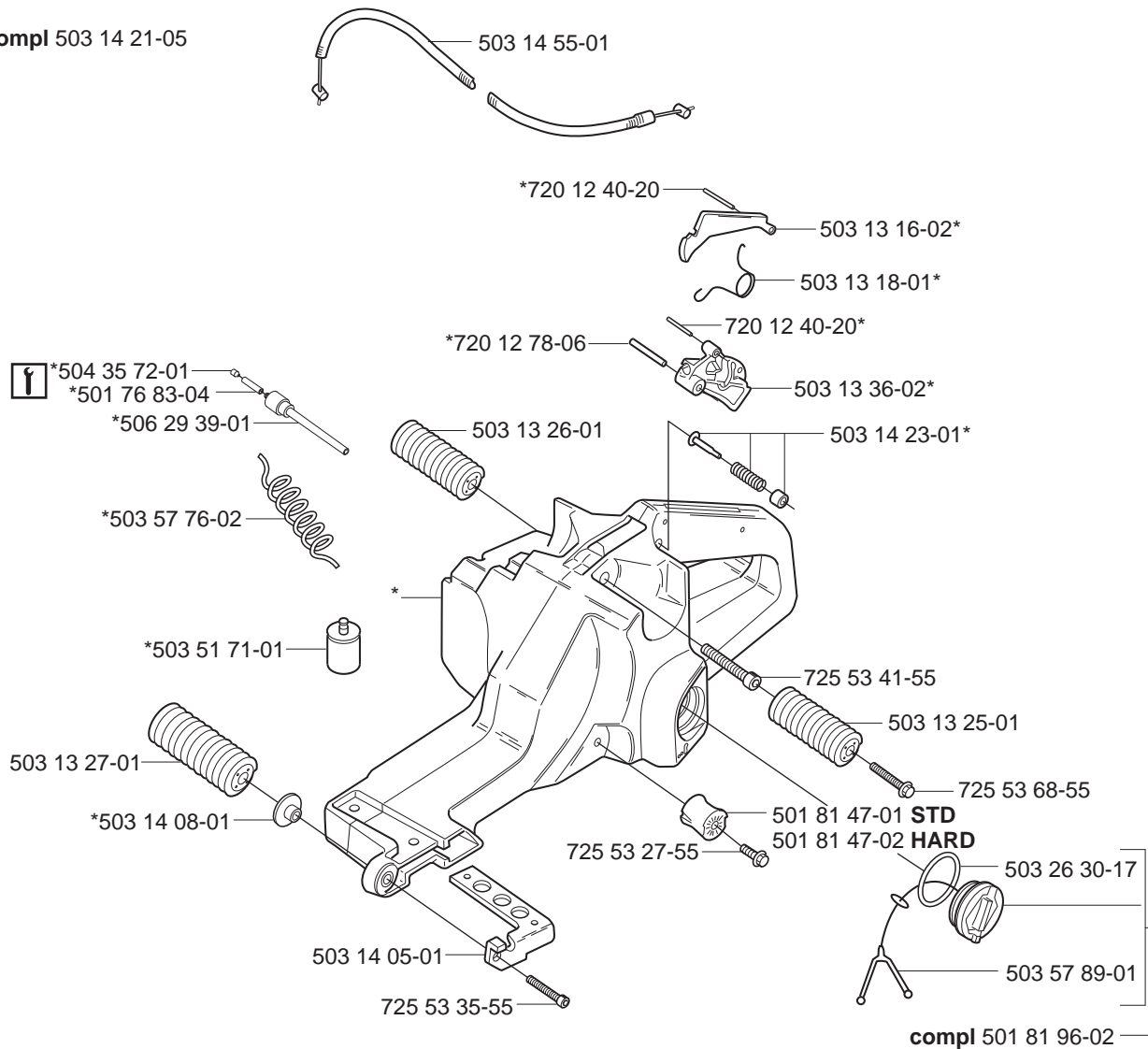


D *compl 501 89 90-02



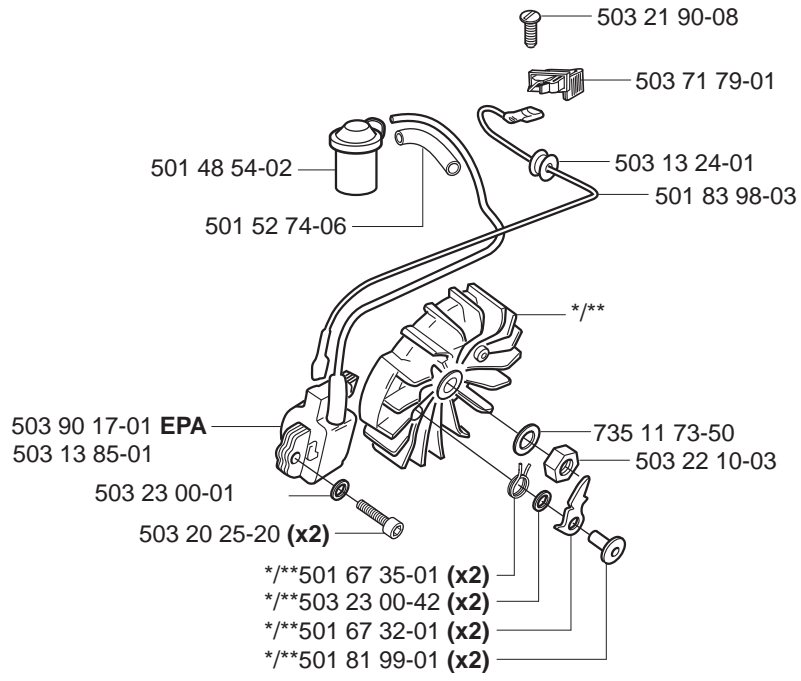
L *compl 501 89 25-01



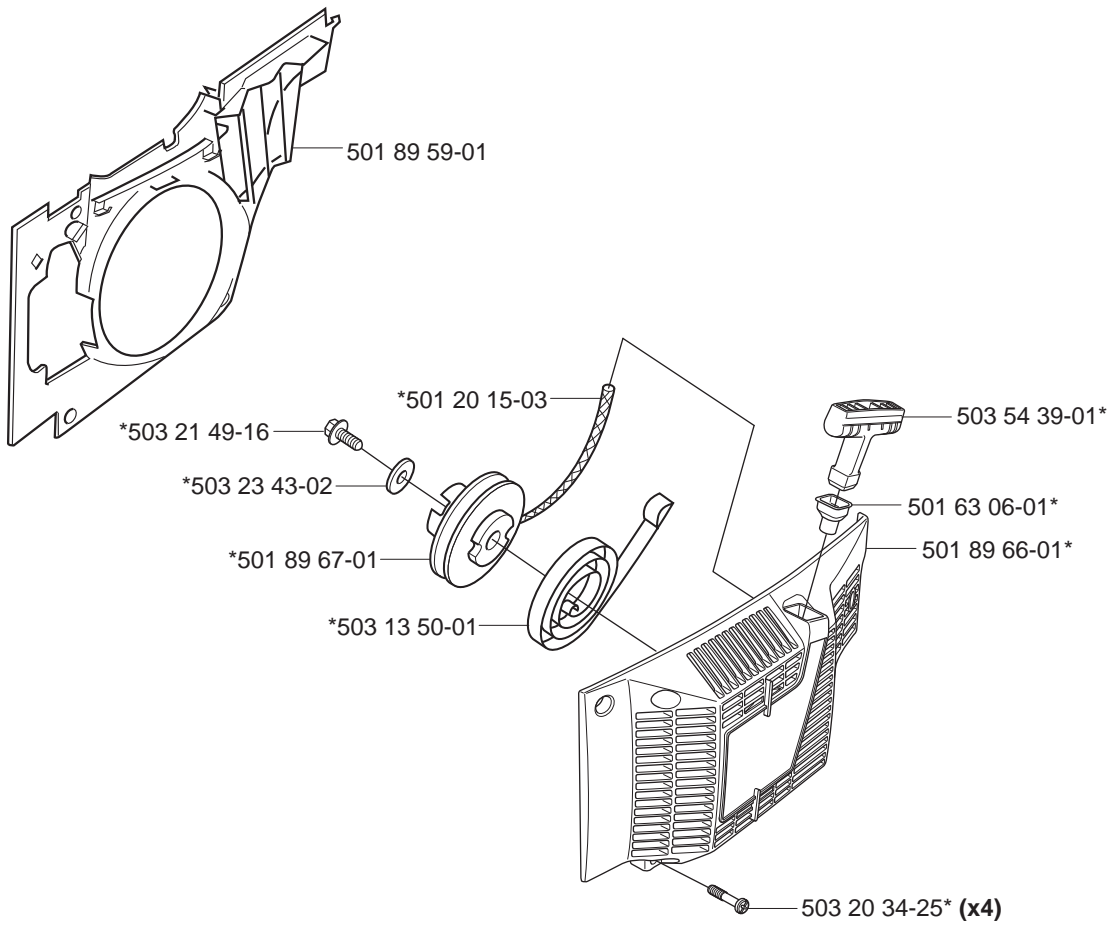
J**R** *compl 503 13 86-02**E** *compl 503 14 21-05

M

*compl 501 89 50-01
 **compl 501 89 50-02 EPA

**N**

*compl 501 89 65-02

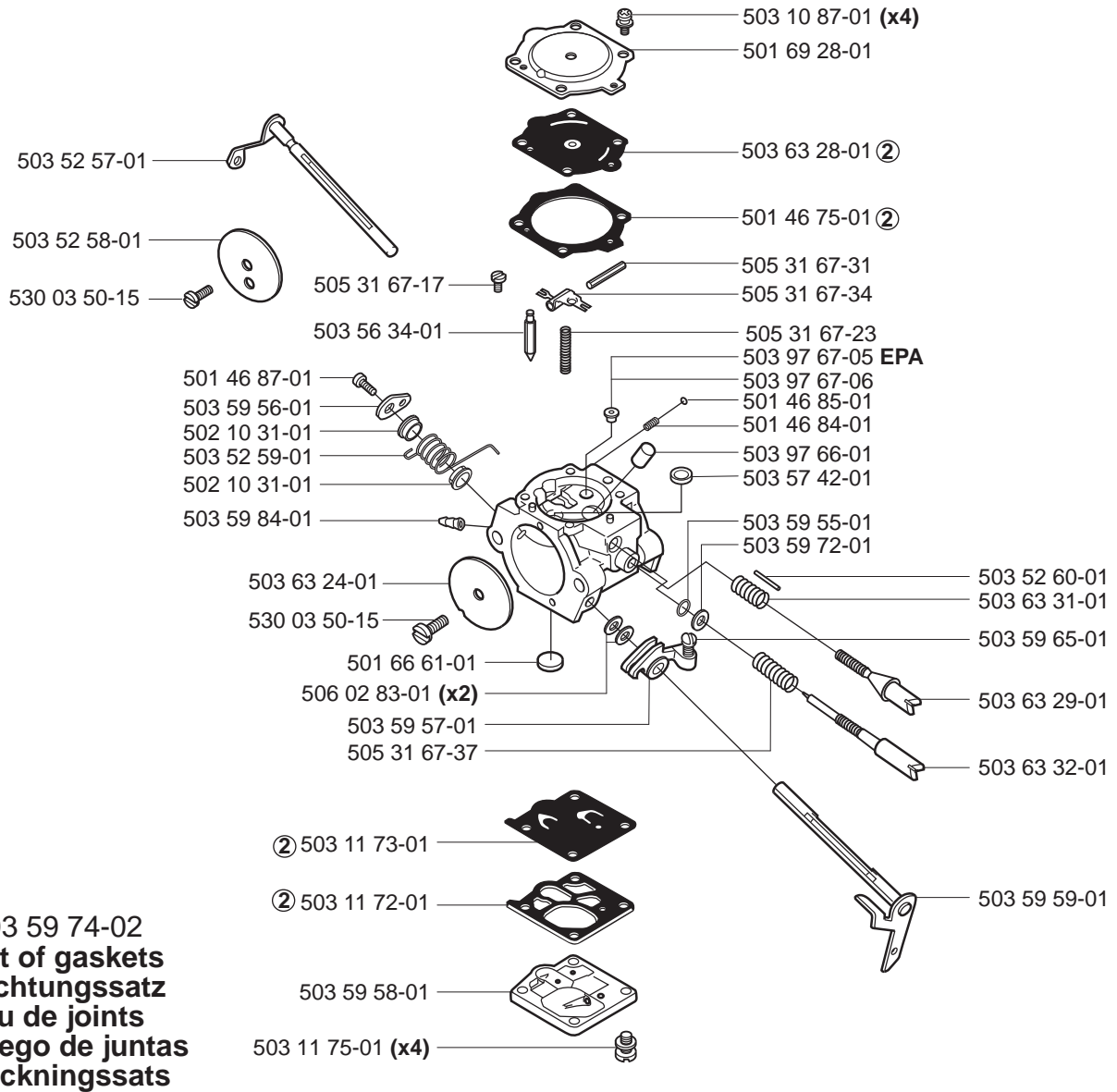


537 09 69-01



P compl 503 28 12-18
 compl 503 28 12-16 EPA

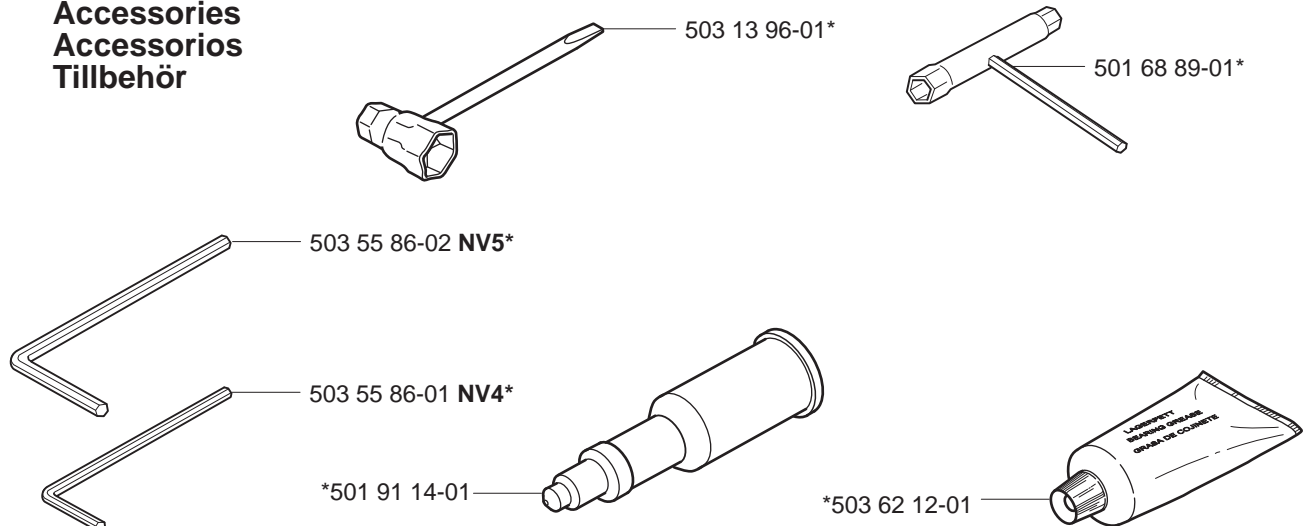
Walbro WG 8 Walbro WG 7 EPA



(2) 503 59 74-02
Set of gaskets
Dichtungssatz
Jeu de joints
Juego de juntas
Packningssats

S Accessories Zubehöre Accessories Accesorios Tillbehör

*compl 503 55 85-02

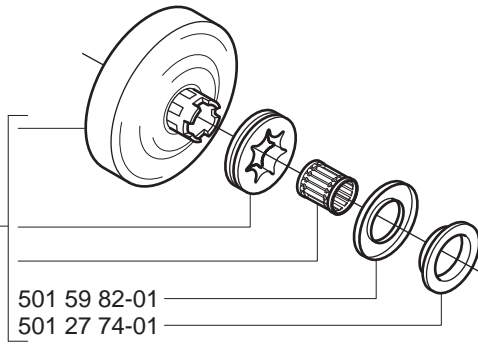


T



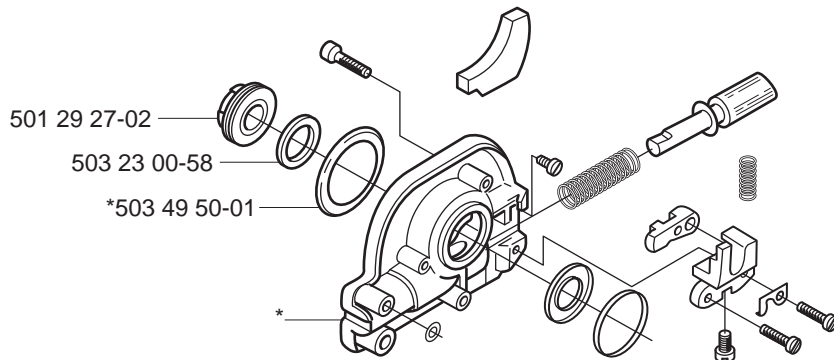
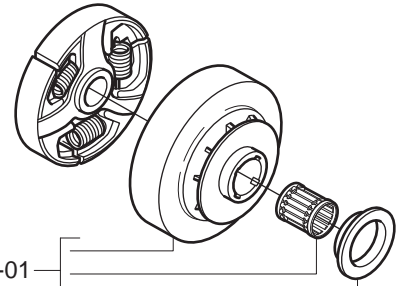
Up to 7470038

compl 503 14 32-03
(.404"x7)



compl 501 89 56-01

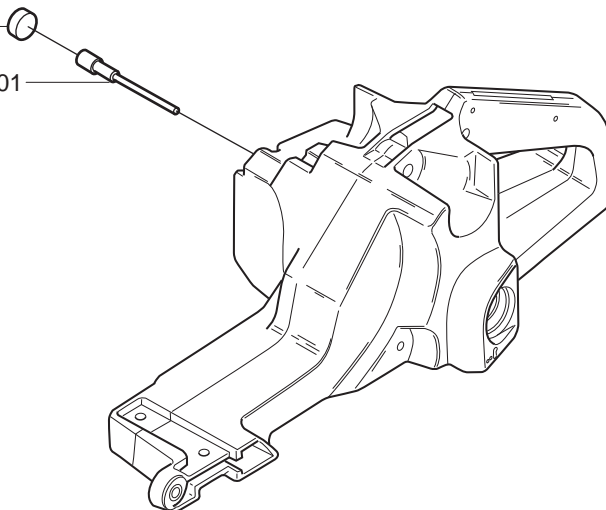
501 27 74-01



Up to 993100062

503 60 04-01

501 87 25-01



| PART NUMBER | SQUARE NOTE | PART NUMBER | SQUARE NOTE | PART NUMBER | SQUARE NOTE | PART NUMBER | SQUARE NOTE |
|--------------|-------------|--------------|-------------|--------------|-------------|--------------|-------------|
| 501 20 15-03 | N | 503 13 13-01 | C 1 | 503 21 60-25 | C | 505 26 76-50 | A,F |
| 501 24 81-01 | A,F | 503 13 16-02 | E | 503 21 85-01 | G | 505 31 67-17 | P |
| 501 26 97-04 | L | 503 13 18-01 | E | 503 21 90-08 | M | 505 31 67-23 | P |
| 501 27 08-01 | L | 503 13 20-01 | L | 503 22 00-01 | A,F | 505 31 67-31 | P |
| 501 27 74-01 | T | 503 13 24-01 | M | 503 22 10-03 | M | 505 31 67-34 | P |
| 501 29 27-02 | T | 503 13 25-01 | E | 503 22 24-01 | L | 505 31 67-37 | P |
| 501 46 24-01 | L | 503 13 26-01 | E | 503 22 24-02 | A,F | 506 02 83-01 | P |
| 501 46 75-01 | P 2 | 503 13 27-01 | E | 503 22 24-02 | G | 506 29 39-01 | E |
| 501 46 84-01 | P | 503 13 29-01 | C,H | 503 23 00-01 | M | 506 29 42-71 | C |
| 501 46 85-01 | P | 503 13 36-02 | E | 503 23 00-05 | C | 530 03 50-15 | P |
| 501 46 87-01 | P | 503 13 37-01 | K | 503 23 00-42 | M | 537 09 69-01 | N |
| 501 48 09-01 | A | 503 13 43-01 | L | 503 23 00-45 | K | 720 12 40-20 | E |
| 501 48 54-02 | M | 503 13 46-01 | C 1 | 503 23 00-58 | K,T | 720 12 78-06 | E |
| 501 51 54-01 | C | 503 13 47-01 | D 1 | 503 23 43-02 | N | 721 42 52-50 | A |
| 501 52 74-06 | M | 503 13 48-01 | D 1 | 503 23 51-08 | C | 721 42 56-50 | A |
| 501 54 41-02 | K | 503 13 50-01 | N | 503 25 00-02 | H | 722 78 29-02 | A,F |
| 501 59 79-02 | K | 503 13 53-01 | G | 503 25 30-01 | K | 723 12 91-51 | K |
| 501 59 82-01 | T | 503 13 55-03 | A | 503 26 02-05 | K,L | 723 22 84-85 | K |
| 501 63 06-01 | N | 503 13 56-01 | A | 503 26 30-17 | E,L | 725 53 27-55 | E,L |
| 501 66 61-01 | P | 503 13 57-01 | A,F | 503 28 12-16 | D,P EPA | 725 53 31-55 | L |
| 501 67 32-01 | M | 503 13 67-03 | A | 503 28 12-18 | D,P | 725 53 35-55 | E,L |
| 501 67 35-01 | M | 503 13 68-01 | A | 503 28 90-26 | C | 725 53 39-55 | L |
| 501 68 89-01 | S | 503 13 69-01 | A | 503 44 78-01 | L | 725 53 41-55 | E |
| 501 69 28-01 | P | 503 13 78-02 | A | 503 49 50-01 | T | 725 53 43-55 | L |
| 501 76 80-01 | A | 503 13 79-01 | A | 503 51 71-01 | E | 725 53 68-55 | G |
| 501 76 83-04 | E | 503 13 80-01 | A | 503 52 08-01 | A | 725 53 68-55 | E |
| 501 81 47-01 | E | 503 13 81-01 | A,F | 503 52 57-01 | P | 725 53 70-55 | J |
| 501 81 47-02 | E | 503 13 82-01 | L | 503 52 58-01 | P | 725 53 74-55 | R |
| 501 81 57-01 | L | 503 13 84-01 | K | 503 52 59-01 | P | 725 63 67-56 | A,F |
| 501 81 96-02 | L,E | 503 13 85-01 | M | 503 52 60-01 | P | 729 53 40-01 | G |
| 501 81 99-01 | M | 503 13 86-02 | R | 503 54 39-01 | N | 734 11 46-01 | D,L |
| 501 83 98-03 | M | 503 13 87-01 | R | 503 55 85-02 | S | 735 11 73-50 | M |
| 501 87 25-01 | T,L | 503 13 92-01 | L | 503 55 86-01 | S | 735 31 08-20 | A |
| 501 89 33-01 | K | 503 13 96-01 | S | 503 55 86-02 | S | 735 31 09-20 | L |
| 501 89 34-02 | J | 503 13 99-01 | K | 503 56 34-01 | P | 735 88 06-00 | H |
| 501 89 36-01 | K | 503 14 00-01 | L,G | 503 57 42-01 | P | 737 44 13-00 | C |
| 501 89 37-02 | K | 503 14 04-01 | A,F | 503 57 76-02 | E | 740 42 22-00 | K |
| 501 89 41-03 | C | 503 14 05-01 | E | 503 57 89-01 | E,L | 740 43 01-00 | K |
| 501 89 44-02 | B | 503 14 08-01 | E | 503 59 55-01 | P | | |
| 501 89 47-02 | B | 503 14 09-01 | B | 503 59 56-01 | P | | |
| 501 89 48-01 | D | 503 14 12-01 | A,F | 503 59 57-01 | P | | |
| 501 89 50-01 | M | 503 14 13-01 | A,F | 503 59 58-01 | P | | |
| 501 89 50-02 | M EPA | 503 14 14-01 | L | 503 59 59-01 | P | | |
| 501 89 56-01 | T | 503 14 15-01 | L | 503 59 65-01 | P | | |
| 501 89 59-01 | N | 503 14 16-01 | D | 503 59 72-01 | P | | |
| 501 89 63-01 | F | 503 14 18-02 | D | 503 59 74-02 | P Compl 2 | | |
| 501 89 65-02 | N | 503 14 20-73 | H | 503 59 84-01 | P | | |
| 501 89 66-01 | N | 503 14 21-05 | E | 503 60 04-01 | T | | |
| 501 89 67-01 | N | 503 14 23-01 | E | 503 62 12-01 | S | | |
| 501 89 70-71 | K | 503 14 25-01 | Compl 1 | 503 62 42-01 | A,F | | |
| 501 89 75-01 | K | 503 14 26-01 | L | 503 63 24-01 | P | | |
| 501 89 76-01 | K | 503 14 30-01 | G | 503 63 28-01 | P 2 | | |
| 501 89 78-01 | K | 503 14 32-03 | T | 503 63 29-01 | P | | |
| 501 89 83-01 | L | 503 14 32-04 | K | 503 63 31-01 | P | | |
| 501 89 84-02 | L | 503 14 37-01 | D | 503 63 32-01 | P | | |
| 501 89 85-01 | L | 503 14 47-01 | D | 503 66 56-01 | C | | |
| 501 89 86-01 | L | 503 14 49-01 | K | 503 66 79-01 | D | | |
| 501 89 87-02 | K | 503 14 51-01 | K | 503 68 92-01 | D | | |
| 501 89 90-02 | D | 503 14 52-02 | L | 503 71 79-01 | M | | |
| 501 89 96-03 | B | 503 14 55-01 | E | 503 80 27-01 | A | | |
| 501 91 14-01 | S | 503 20 03-20 | D | 503 83 65-01 | G | | |
| 502 10 31-01 | P | 503 20 07-10 | R | 503 83 68-01 | G | | |
| 502 10 31-01 | P | 503 20 21-97 | D | 503 89 53-01 | D | | |
| 503 10 87-01 | P | 503 20 25-20 | M | 503 89 62-01 | K | | |
| 503 11 72-01 | P 2 | 503 20 26-20 | A,K | 503 90 17-01 | M | | |
| 503 11 73-01 | P 2 | 503 20 32-28 | B | 503 97 66-01 | P | | |
| 503 11 75-01 | P | 503 20 34-25 | N | 503 97 67-05 | P EPA | | |
| 503 13 00-01 | G | 503 21 05-25 | J,R | 503 97 67-06 | P | | |
| 503 13 08-01 | G | 503 21 42-13 | A | 503 98 74-01 | B | | |
| 503 13 12-01 | G | 503 21 49-16 | N | 504 35 72-01 | E | | |

1 = 503 14 25-01
2 = 503 59 74-02

Set of gaskets, Dichtungssatz,
Jeu de joints, Juego de juntas,
Packningssats

N = New part, Neues teil,
Nouvelle piece, Nueva pieza
Ny detalj

EPA = Environmental Protection Agency
(for USA only)