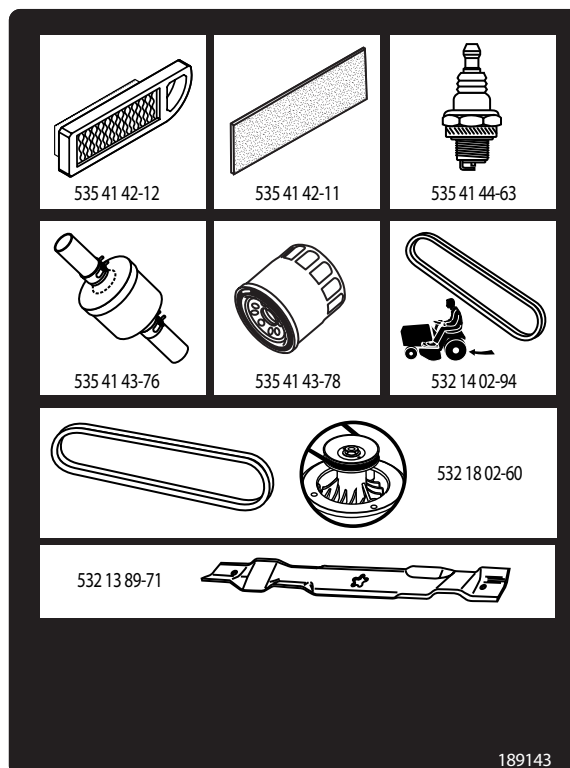
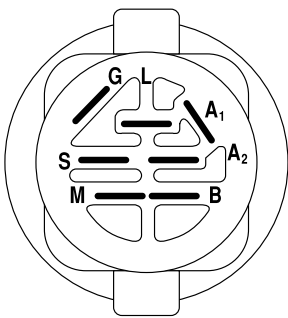
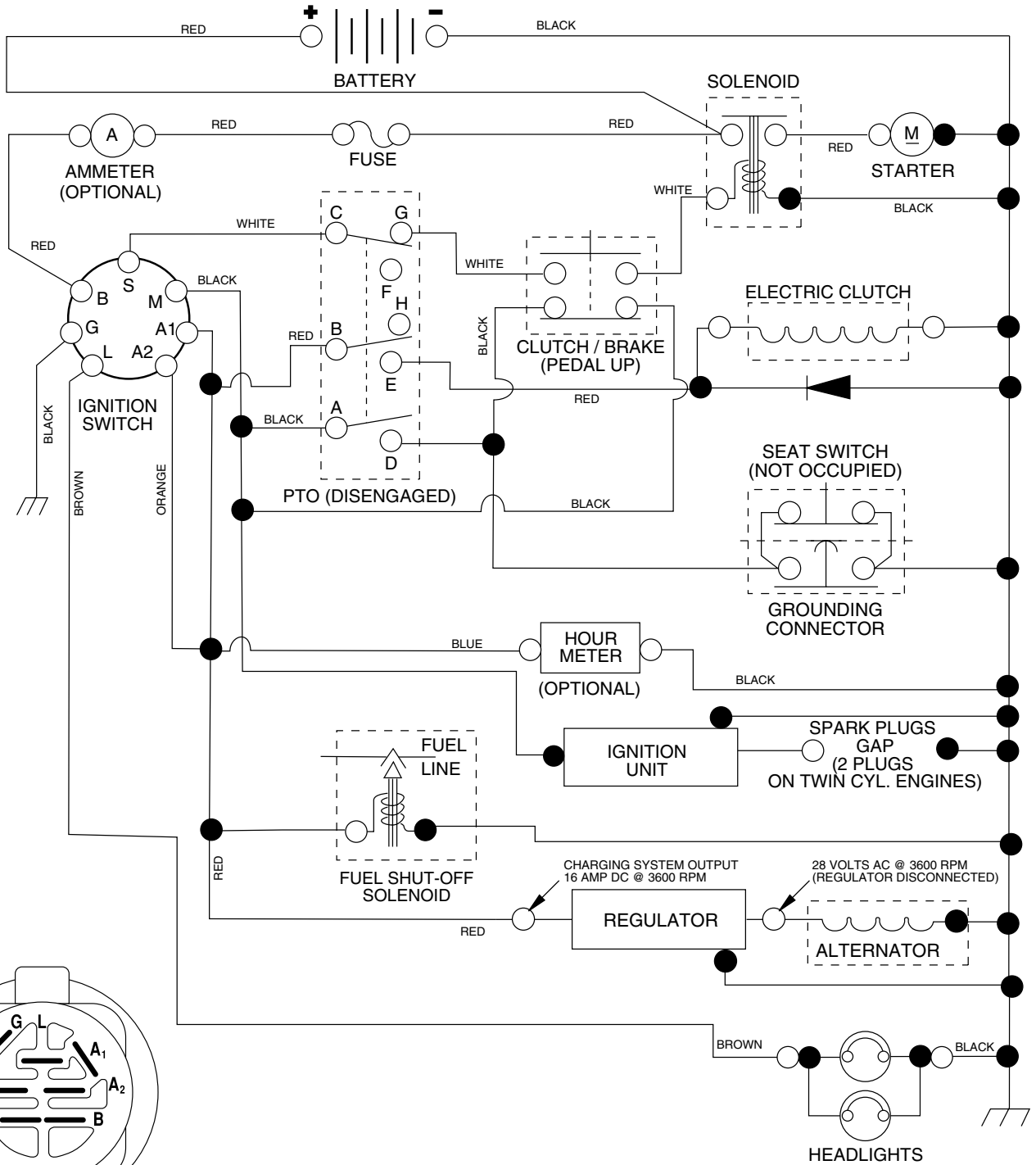


# YTH180 XP

Spare parts  
Ersatzteile  
Pièces détachées  
Reserve onderdelen  
Repuestos  
Reservdelar



# TRACTOR-MODEL NO. YTH180 XP (96011000500), PRODUCT NO. 954 17 02-05 SCHEMATIC



**IGNITION SWITCH**

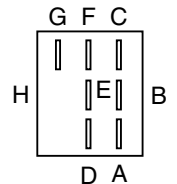
POSITION	CIRCUIT	"MAKE"
OFF	M + G + A1	NONE
ON + LIGHTS	B + A1	L + A2
ON	B + A1	NONE
START	B + S + A1	NONE

**WIRING INSULATED CLIPS**  
NOTE: IF WIRING INSULATED CLIPS WERE REMOVED FOR SERVICING OF UNIT, THEY SHOULD BE REPLACED TO PROPERLY SECURE YOUR WIRING.

02757

**PTO SWITCH**

POSITION	CIRCUIT
OFF	C + G, B + H
ON	C + F, B + E, A + D



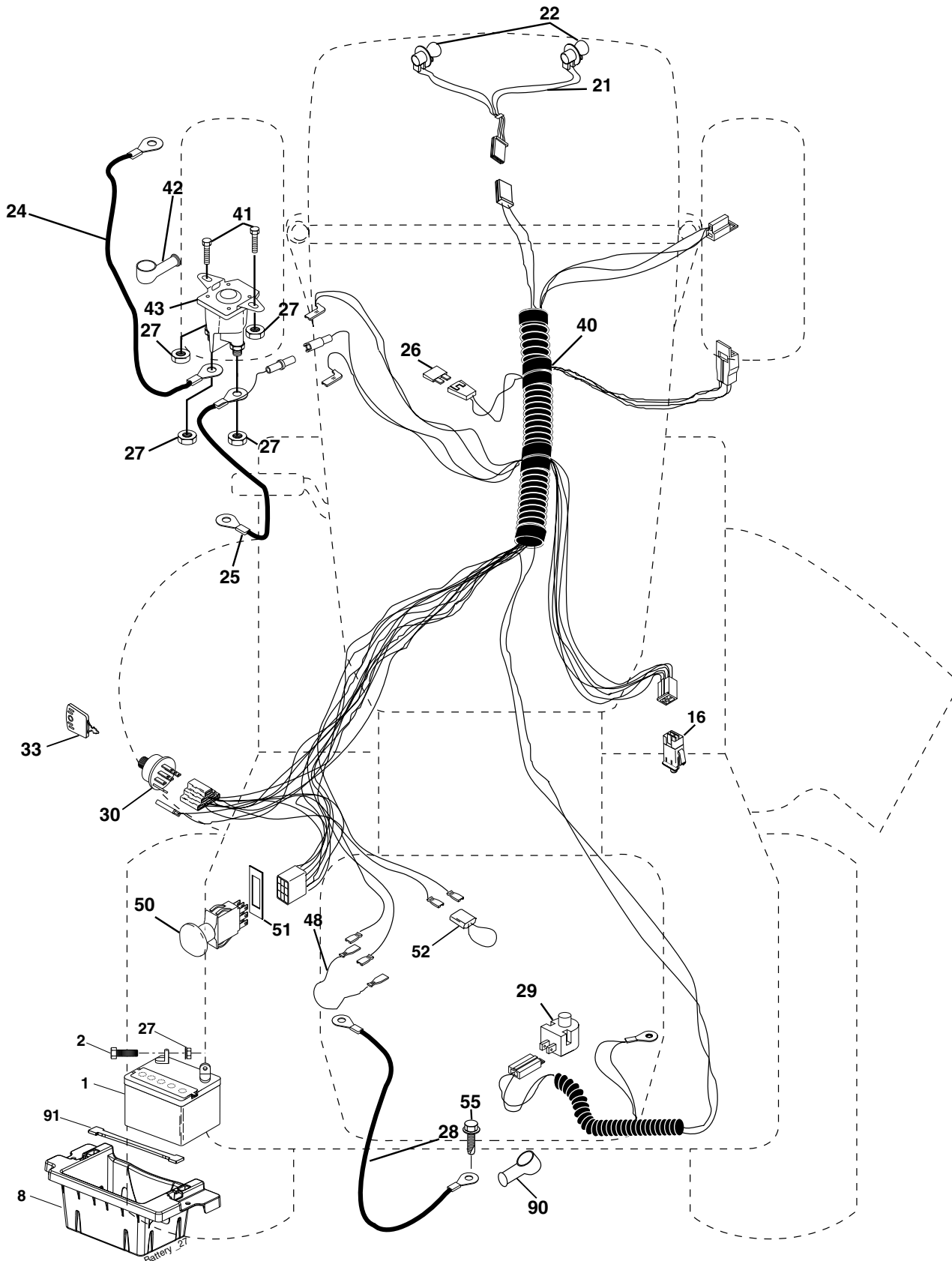
○ REMOVABLE CONNECTIONS

● NON-REMOVABLE CONNECTIONS

**PTO SWITCH CONNECTOR**

# REPAIR PARTS

TRACTOR-MODEL NO. YTH180 XP (96011000500), PRODUCT NO. 954 17 02-05  
ELECTRICAL



# REPAIR PARTS

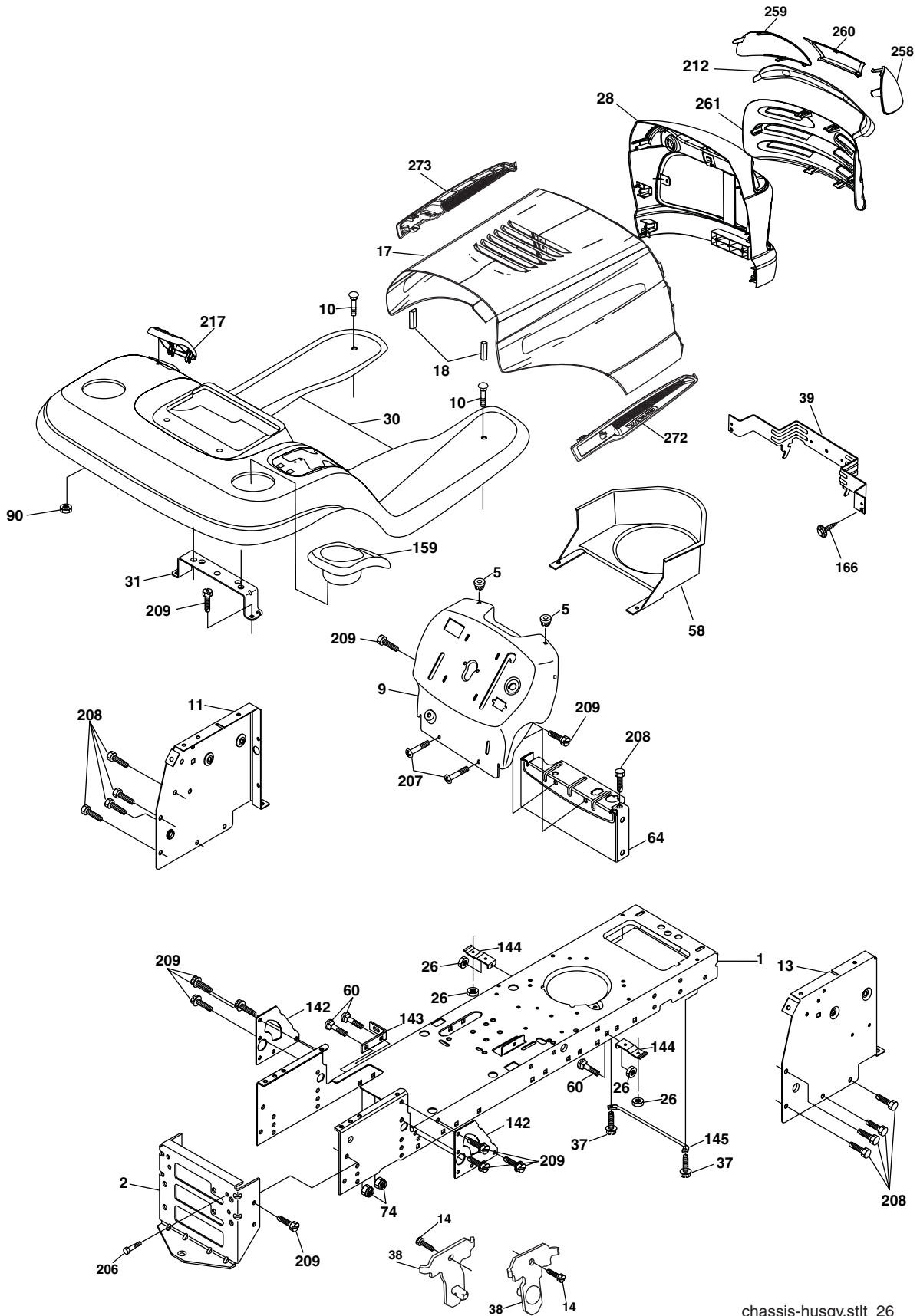
TRACTOR-MODEL NO. YTH180 XP (96011000500), PRODUCT NO. 954 17 02-05  
ELECTRICAL

KEY NO.	PART NO.	DESCRIPTION
1	532 14 49-27	Battery
2	874 76 04-12	Bolt Hex Hd 1/4-20 unc x 3/4
8	532 18 64-91	Box Battery
16	532 17 61-38	Switch Interlock Push-In
21	532 17 56-88	Harness Asm Light W/4152J
22	532 00 41-52	Bulb Light #1156
24	532 12 47-80	Cable Battery 6 Ga. 11"red
25	532 14 61-48	Cable Battery 6 Ga. W/16 Ga. Wire 22"
26	532 17 51-58	Fuse 20 AMP
27	873 51 04-00	Nut Keps hex 1/4-20 unc
28	532 14 54-91	Cable Ground Black
29	532 12 13-05	Switch Plunger Normal Op Gray
30	532 17 55-66	Switch Ignition
33	532 14 04-01	Key Ign Molded Generic
40	532 18 80-24	Harness Ign.
41	871 11 04-08	Bolt Hex Hd. Fin 1/4-20 x 1/2 Gr. 5
42	532 13 15-63	Cover Terminal Red
43	532 17 88-61	Solenoid
48	532 14 08-44	Adapter Ammeter Rectangular
50	532 17 46-51	Switch PTO
51	532 14 04-05	Ring Retainer PTO
52	532 14 19-40	Protection Wire Loop
55	817 49 05-08	Screw 5/16-18 x 1/2
90	532 18 04-49	Cover Terminal Battery
91	532 19 02-70	Strap Battery Mount Front

**NOTE:** All component dimensions given in U.S. inches  
1 inch = 25.4 mm.

# REPAIR PARTS

TRACTOR-MODEL NO. YTH180 XP (96011000500), PRODUCT NO. 954 17 02-05  
ENCLOSURES



chassis-husqy.stlt\_26

# REPAIR PARTS

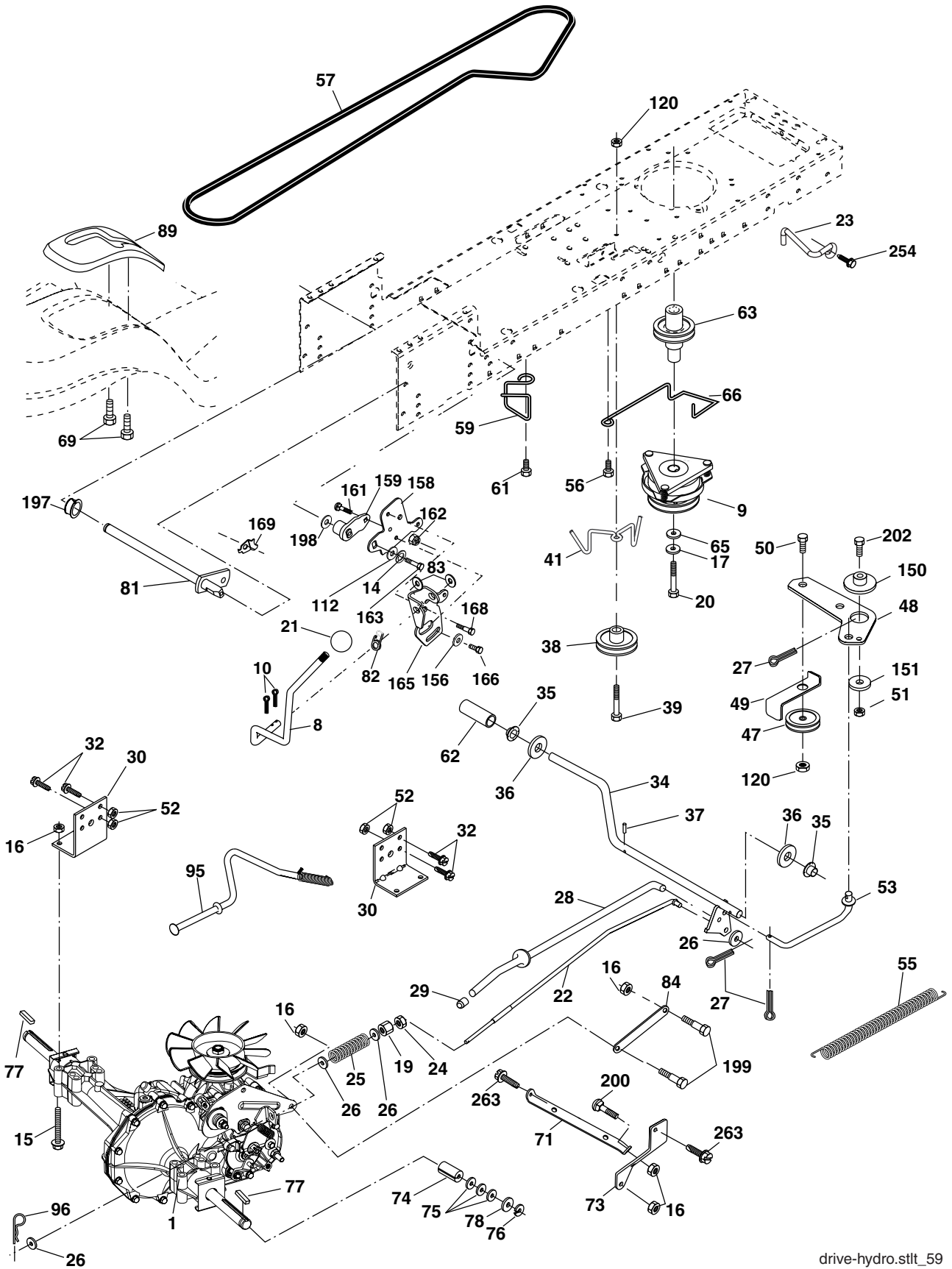
TRACTOR-MODEL NO. YTH180 XP (96011000500), PRODUCT NO. 954 17 02-05  
ENCLOSURES

KEY NO.	PART NO.	DESCRIPTION
1	532 17 46-19	Chassis Stl Stamping
2	532 17 65-54	Drawbar
5	532 15 52-72	Bumper Hood/Dash
9	532 19 18-13	Dash P/L
10	872 14 06-08	Bolt Carriage 3/8-16 x 1
11	532 17 49-96	Panel Dash Lh
14	817 49 06-08	Screw Thdrol 3/8-16 x 1/2
13	532 17 21-06	Panel Dash Rh
17	532 18 88-93	Hood LT/PL Husqvarna
18	532 18 49-21	Bumper Hood
26	873 80 06-00	Nut Lock Hex W/Ins 3/8-16 unc
28	532 18 35-38	Grille/Lens Asm.
30	532 19 18-15	Fender Footrest STLT w/fuel. w/cphld.
31	532 13 99-76	Bracket Support Fender
37	817 49 05-08	Screw Thdrol 6/16-18 x 1/2 TYT
38	532 17 57-10	Bracket Asm. Pivot Mower Rear
39	532 17 47-14	Bracket Pivot Laser
58	532 18 71-45	Duct Intake Air
60	872 14 06-06	Bolt Rdhd Sqnk 3/8-16 unc x 3/4
64	532 15 47-98	Dash Lower STLT
74	873 68 06-00	Nut Crownlock 3/8-16 unc
90	532 12 43-46	Nut Self-Thd Wsh-Hd 1/4
142	532 17 57-02	Plate Reinforcement STLT
143	532 18 66-89	Bracket Swaybar Chassis
144	532 17 55-82	Bracket Pnt Footrest STLT
145	532 15 65-24	Rod Pivot Chassis/Hood
159	532 18 54-34	Cupholder
166	532 17 18-75	Screw HWHD Hi-Lo #13-16 x 3/4
206	532 17 01-65	Bolt Shoulder 5/16-18 TT
207	817 67 05-08	Screw Thdrol 5/16-18 x 1/2 TYTT
208	817 67 06-08	Screw Thdrol 3/8-16 x 1/2 TYT BL
209	817 00 06-12	Screw 3/8-16 x 3/4
212	532 18 35-48	Insert Lens Reflect
217	532 18 54-36	Console Fuel Window
258	532 18 52-14	Lens RH
259	532 18 52-13	Lens LH
260	532 18 52-16	Cover Lens
261	532 18 52-12	Insert Grille
272	532 18 88-96	Vent Hood RH
273	532 18 88-95	Vent Hood LH

**NOTE:** All component dimensions given in U. S. inches  
1 inch = 25.4 mm

# REPAIR PARTS

TRACTOR-MODEL NO. YTH180 XP (96011000500), PRODUCT NO. 954 17 02-05  
DRIVE



# REPAIR PARTS

TRACTOR-MODEL NO. YTH180 XP (96011000500), PRODUCT NO. 954 17 02-05  
DRIVE

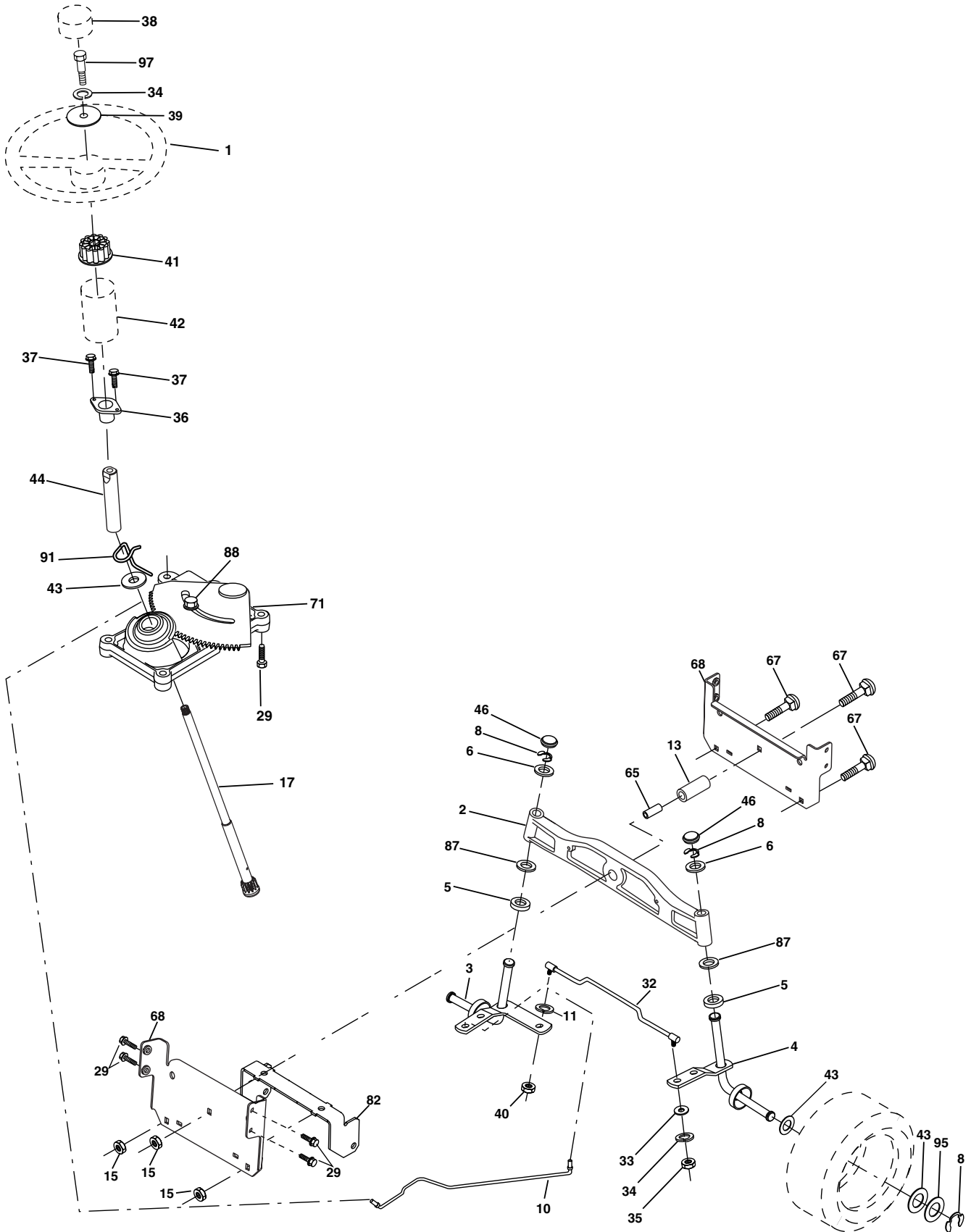
KEY NO.	PART NO.	DESCRIPTION	KEY NO.	PART NO.	DESCRIPTION
1	-----	Transaxle, Hydro Gear 314-0510 (Order Parts From Transaxle Manufacturer)	63	532 17 46-07	Pulley, Engine
8	532 16 58-66	Rod Shift Fender	65	810 04 07-00	Washer
9	532 18 02-20	Clutch Electric OGURA	66	532 15 47-78	Keeper Belt Engine Hydro
10	876 02 04-16	Pin Cotter 1/8 x 1 CAD	69	532 14 24-32	Screw Hex Wsh Hi-Lo 1/4 x 1/2 unc
14	810 04 04-00	Washer Lock Hvy Helical	71	532 16 91-83	Strap Torque Lh Hydro
15	874 49 05-44	Bolt Hex Flghd 5/16-18 Gr. 5	73	532 16 91-82	Strap Torque Rh Hydro
16	873 80 05-00	Nut Lock Hex W/Ins. 5/16-18 unc	74	532 13 70-57	Spacer, Axle
17	532 12 61-97	Washer 1-1/2 OD x 15/32 ID x .250	75	532 12 17-49	Washer 25/32 x 1-1/4 x 16 Ga.
19	873 80 06-00	Nut Lock Hex W/Wsh 3/8-16 unc	76	812 00 00-01	E-Ring
20	532 17 39-37	Bolt, Hex 7/16-20 x Gr. 5-1.5	77	532 12 35-83	Key, Square
21	532 12 12-74	Knob	78	532 12 17-48	Washer 25/32 x 1-5/8 x 16 Ga.
22	532 16 94-98	Rod, Brake Hydro	81	532 16 55-96	Shaft Asm. Cross Hydro
23	532 19 07-36	Bracket Asm. Anti-Rot	82	532 16 57-11	Spring Torsion T/A
24	873 35 06-00	Locknut	83	819 17 12-16	Washer 17/32 x 3/4 x 16 Ga.
25	532 10 68-88	Spring, Brake Rod	84	532 16 95-94	Link Transaxle
26	819 13 13-16	Washer	89	532 19 18-16	Console, Shift
27	876 02 04-12	Pin Cotter 1/8 x 3/4 CAD.	90	532 12 43-46	Nut, Self Thd Wsh Hd 1/4 Zinc
28	532 17 57-65	Rod, Parking Brake	95	532 17 02-01	Control Asm. Bypass Hydro
29	532 07 16-73	Cap, Parking Brake	96	532 12 47-88	Retainer Spring 1" Zinc/Cad
30	532 16 95-92	Bracket, Transaxle	112	819 09 12-10	Washer 9/32 x 3/4 x 10 Ga.
32	874 76 05-12	Bolt Hex Hd 5/16-18 unc x 3/4	120	873 90 06-00	Nut Lock 3/8-16
34	532 17 55-78	Shaft, Foot Pedal Nibbed	150	532 17 54-56	Spacer Retainer
35	532 12 01-83	Bearing, Nylon	151	819 13 32-10	Washer 13/32 x 2 x 10 Ga.
36	819 21 16-16	Washer	156	532 16 60-02	Washer Srrted 5/16 ID x 1.125
37	532 12 49-63	Pin, Roll	158	532 16 55-89	Bracket Shift Mount
38	532 17 91-14	Pulley, Idler, Flat Composite	159	532 18 39-00	Hub Shift
39	872 11 06-22	Bolt 3/8-16 x 2-3/4 Gr. 5	161	872 14 04-06	Bolt Rdhd Sqnk 1/4-20 x 3/4 Gr. 5
41	532 17 55-56	Keeper, Belt Idler Fool-Proof	162	873 68 04-00	Nut Crownlock 1/4-20 unc
47	532 12 77-83	Pulley, Idler, V-Groove	163	874 78 04-16	Bolt Hex Fin 1/4-20 unc x 1 Gr. 5
48	532 15 44-07	Bellcrank Clutch Grnd Drv Stl	165	532 16 56-23	Bracket Pivot Lever
49	532 12 32-05	Retainer, Belt	166	817 49 05-10	Screw 5/16-18 x 5/8
50	872 11 06-12	Bolt Carr. SH 3/8-16 x 1-1/2 Gr. 5	168	532 16 54-92	Bolt Shoulder 5/16-18 x .561
51	873 68 06-00	Nut	169	532 16 55-80	Plate Fastening Lt\
52	873 68 05-00	Nut Crown Lock 5/16-18	197	532 16 96-13	Nyliner Snap-In 5/8" ID
53	532 10 57-10	Link, Clutch	198	532 16 95-93	Washer Nyliner 7/8 ID x .105
55	532 10 57-09	Spring, Return, Clutch	199	532 16 96-12	Bolt Shoulder 5/16-18 unc
56	817 06 06-20	Screw 3/8-16 x 1-1/4	200	872 14 05-08	Bolt Rdhd Sq Neck 5/16-18 unc x 1
57	532 14 02-94	V-Belt, Ground Drive	202	872 11 06-14	Bolt 3/8-16 x 1-3/4 Gr. 5
59	532 16 96-91	Keeper, Center Span	254	817 00 06-16	Screw 3/8-16 x 1
61	817 12 06-14	Screw 3/8-16 x .875	263	817 00 06-12	Screw Hexwsh Thdr 3/8-16 x 3/4
62	532 12 35-33	Cover, Pedal			

**NOTE:**All component dimensions give in U.S. inches.  
1 inch = 25.4 mm.



# REPAIR PARTS

TRACTOR-MODEL NO. YTH180 XP (96011000500), PRODUCT NO. 954 17 02-05  
STEERING ASSEMBLY



steering\_pl.lt\_60

# REPAIR PARTS

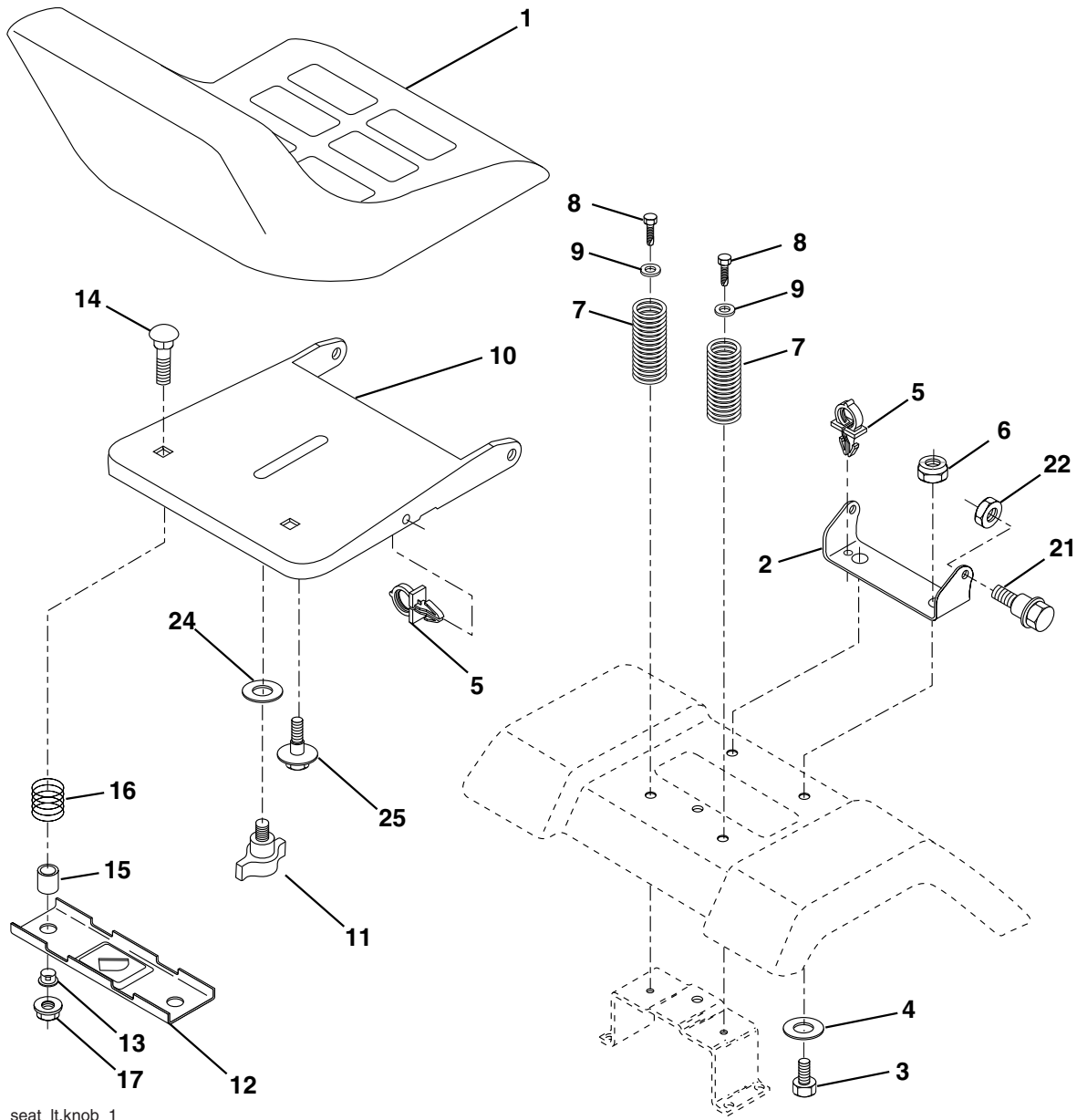
TRACTOR-MODEL NO. YTH180 XP (96011000500), PRODUCT NO. 954 17 02-05  
STEERING ASSEMBLY

KEY NO.	PART NO.	DESCRIPTION
1	532 16 66-27	Wheel Steering
2	532 18 47-06	Axle
3	532 16 98-40	Spindle Asm LH
4	532 16 98-39	Spindle Asm RH
5	532 12 49-31	Bearing Race Thrust Harden
6	532 12 17-48	Washer 25/32 x 1-5/8 x 16 Ga.
8	812 00 00-29	Ring Klip #t5304-75
10	532 17 51-21	Link Drag
11	810 04 06-00	Washer Lock Hvy Hlcl Spr 3/8
13	532 13 65-18	Spacer Brg Axle Front
15	532 14 52-12	Nut Hex Flange Lock
17	<b>532 19 07-53</b>	Shaft Steering
29	817 00 06-12	Screw 3/8-16 x 3/4
32	532 17 18-88	Rod Tie
33	819 11 12-16	Washer 11/32 x 3/4 x 16 Ga.
34	810 04 05-00	Washer Lock Hry Hlcl Spr 5/16
35	873 54 05-00	Crownlock Nut 5/16 - 24 unf
36	532 15 50-99	Bushing Strg
37	532 15 29-27	Screw TT #32.5 x 5 x 3/8 Flange
38	532 16 66-26	Cap Wheel Steer
39	<b>819 11 38-12</b>	Washer
40	873 54 06-00	Nut Crownlock 3/8-24
41	532 15 99-45	Adaptor Wheel Strg
42	532 16 96-34	Boot Dash Steering
43	532 12 17-49	Washer 25/32 x 1 1/4 x 16 Ga.
44	<b>532 19 07-52</b>	Extension Steering
46	532 12 12-32	Cap Spindle Fr Top Blk
65	532 16 03-67	Spacer Brace Axle
67	872 11 06-18	Bolt Rdhd Sq 3/8-16 x 2-1/4
68	532 16 98-27	Brace, Axle
71	532 17 51-46	Steering Asm
82	532 16 98-35	Bracket Susp Chassis Front
87	532 17 39-66	Washer Flat .781 x 1-1/2 x .14
88	532 17 51-18	Bolt Shoulder 7/16-20
91	532 17 55-53	Clip Steering
95	532 18 89-67	Washer Hardened
97	<b>874 78 05-64</b>	Bolt 5/16-18 UNC x 4" L Gr. 5

**NOTE:** All component dimensions given in U.S. inches  
1 inch = 25.4 mm.

# REPAIR PARTS

TRACTOR-MODEL NO. YTH180 XP (96011000500), PRODUCT NO. 954 17 02-05  
SEAT ASSEMBLY



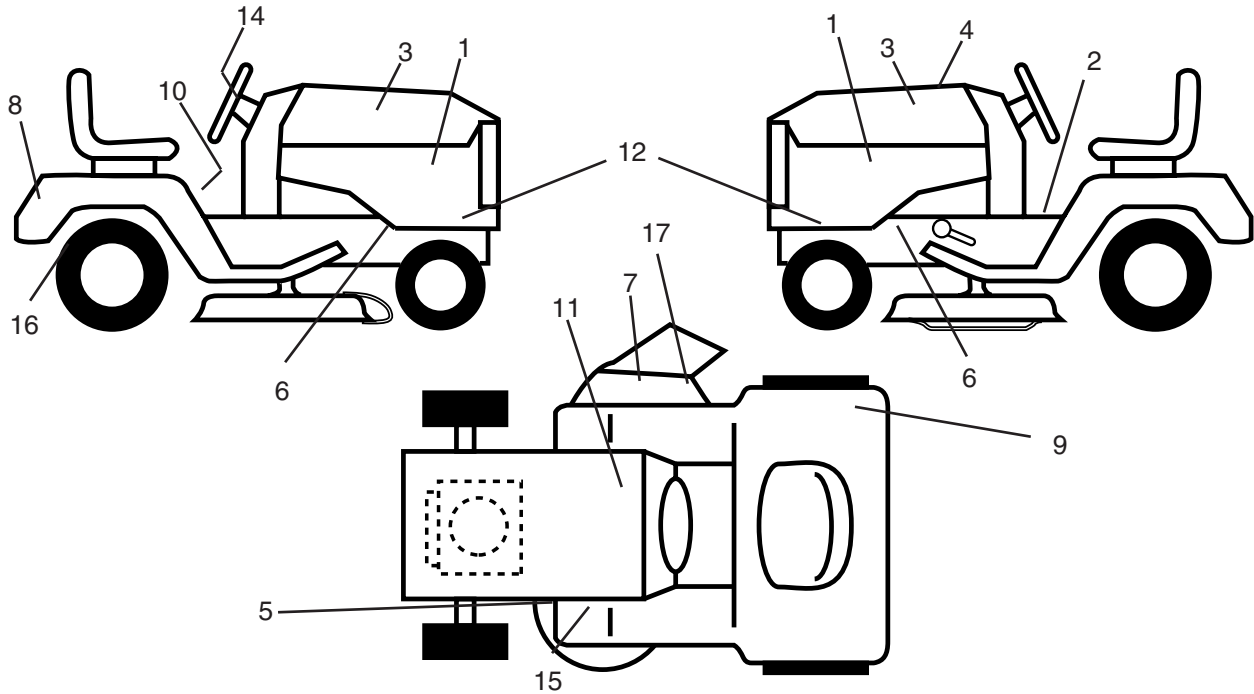
seat\_lt.knob\_1

KEY NO.	PART NO.	DESCRIPTION	KEY NO.	PART NO.	DESCRIPTION
1	532 18 49-95	Seat	13	532 12 12-48	Bushing Snap Blk Nyl 50 Id
2	532 14 05-51	Bracket Pivot Seat 8 720	14	872 05 04-12	Bolt Rdhd Sht Nk 1/4-20 x 1-1/2
3	871 11 06-16	Bolt Hex 3/8-16 unc x 1	15	532 12 12-49	Spacer Split 28 x 88 Zinc
4	819 13 16-10	Washer 13/32 x 1 x 10 Ga.	16	532 12 37-40	Spring Cprsn 1 310 Blk Pnt
5	532 14 50-06	Clip Push-In Hinged	17	532 12 39-76	Nut Lock 1/4 Lge Flg Gr. 5 Zinc
6	873 80 06-00	Nut Lock Hex w/Ins. 3/8-16 unc	21	532 17 18-52	Bolt Shoulder 5/16-18 unc-2A
7	532 12 41-81	Spring Seat Cprsn 2 250 Blk Zi	22	873 80 05-00	Nut Lock Hx w/Ins 5/16-18 unc PL
8	817 00 06-16	Screw 3/8-16 x 1-1/2	24	819 17 19-12	Washer 17/32 x 1-3/16 x 12 Ga.
9	819 13 16-14	Washer 13/32 x 1 x 14 Ga.	25	532 12 70-18	Bolt Shoulder 5/16-18 x 62
10	532 18 24-93	Pan Seat			
11	532 16 63-69	Knob Seat			
12	532 12 12-46	Bracket Mounting Switch			

**NOTE:** All component dimensions given in U.S. inches  
1 inch = 25.4 mm.

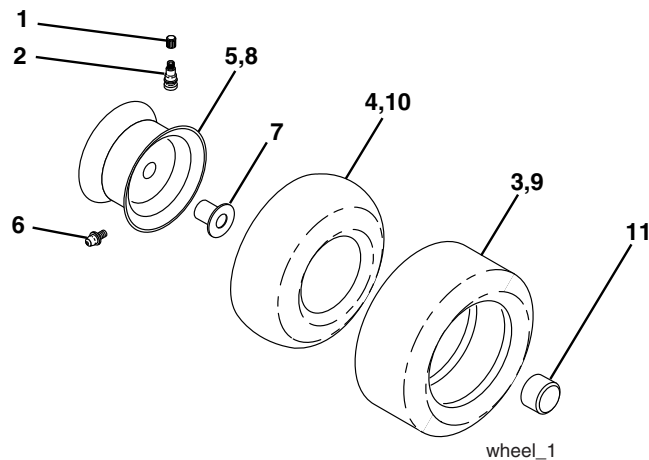
# REPAIR PARTS

TRACTOR-MODEL NO. YTH180 XP (96011000500), PRODUCT NO. 954 17 02-05  
DECAL



KEY NO.	PART NO.	DESCRIPTION	KEY NO.	PART NO.	DESCRIPTION
1	532 18 89-21	Decal, Pnl Side	14	532 18 89-25	Decal, Wheel Steering
2	532 14 08-37	Decal, Brake Parking Sandle	15	532 15 97-37	Decal, Brake/Clutch Symbol
3	532 18 89-22	Decal, Hood	16	532 16 25-98	Decal Drawbar Load Limit
4	532 18 91-43	Decal, Replacement	17	532 17 91-28	Decal Deck "B" 42"
5	532 16 03-96	Decal, V-Belt Sch.	--	532 16 69-60	Decal By Pass
6	532 15 97-36	Decal, Chassis Hot Muffler	--	532 13 83-11	Decal, Handle Lift Height Adjust. (Lift Handle)
7	532 18 21-66	Decal, Mower Cutfinger Symbol	--	532 18 82-52	Pad, Footrest LH
8	532 18 89-35	Decal, Logo, Fender	--	532 18 82-53	Pad, Footrest RH
9	532 18 04-32	Decal, 100 DB/CE	--	<b>532 19 39-40</b>	Manual, Operator's (Euro)
10	532 14 54-98	Decal, Read Owners Manual	--	<b>532 19 39-41</b>	Manual, Operators, (Scan)
11	532 14 50-05	Decal, Bat Dan/Poi P/L Sym			
12	532 19 11-53	Decal Panel Side			

## WHEELS & TIRES

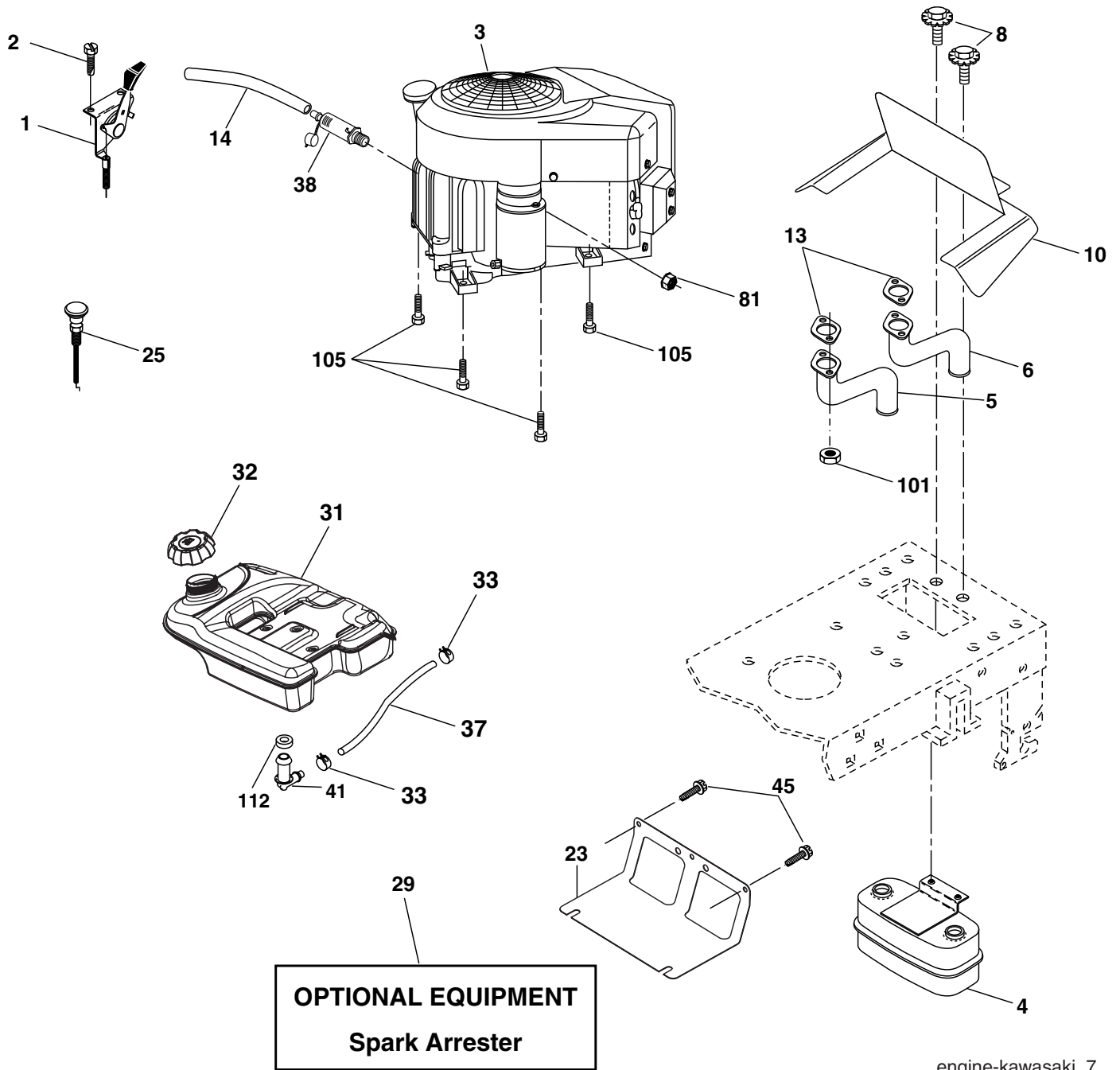


KEY NO.	PART NO.	DESCRIPTION
1	532 05 91-92	Cap Valve Tire
2	532 06 51-39	Stem Valve
3	532 10 62-22	Tire F Ts 15 x 6 0 - 6 Service
4	532 05 99-04	Tube Front (Service Item Only)
5	532 13 83-36	Rim Asm 6" front Silver Service
6	532 12 49-57	Fitting Grease (Front Wheel Only)
7	532 12 49-59	Bearing Flange (Front Wheel Only)
8	532 13 83-37	Rim Asm 8"rear Silver Service
9	532 12 20-82	Tire R Ts 20 x 10-8 C Service
10	532 12 49-26	Tube Rear (Service Item Only)
11	532 17 50-39	Cap Axle Blk 1 50 x 1 00
--	532 14 43-34	Sealant, Tire (10 oz. tube)

**NOTE:** All component dimensions given in U.S. inches  
1 inch = 25.4 mm

# REPAIR PARTS

TRACTOR-MODEL NO. YTH180 XP (96011000500), PRODUCT NO. 954 17 02-05  
ENGINE



engine-kawasaki\_7

# REPAIR PARTS

TRACTOR-MODEL NO. YTH180 XP (96011000500), PRODUCT NO. 954 17 02-05  
ENGINE

KEY NO.	PART NO.	DESCRIPTION
1	532 17 08-03	Control, Throttle
2	817 72 04-08	Screw, Hex Head, Thread Cutting 1/4-20 x 1/2
3	-----	Engine, Kawa Model Number FH531V (Order Parts From Engine Manufacturer)
4	532 14 97-23	Muffler
5	532 17 60-67	Exhaust tube LH
6	532 17 60-68	Exhaust Tube RH
8	532 17 18-77	Bolt 5/16-18 x 3/4
10	532 14 66-29	Shield Heat Muffler
13	-----	Muffler Gasket (Order from Engine Manufacturer)
14	532 14 84-56	Tube Drain Oil Easy
23	532 16 98-37	Shield, Browning / Debris Guard
25	532 19 18-12	Choke Control
29	532 13 71-80	Kit, Spark Arrestor
31	532 17 90-22	Tank Fuel
32	532 18 18-03	Cap Asm Fuel
33	532 12 34-87	Clamp, Hose
37	532 14 21-58	Line, Fuel
38	-----	Plug Drain Oil (Order from engine mfr.)
41	532 13 92-77	Stem Tank Fuel
45	817 00 06-12	Screw Hexwash Thdr
81	873 51 04-00	Nut, Keps Hex 1/4-20 unc
101	532 18 43-62	Nut Flange M8-1.25
105	817 12 06-16	Screw 3/8-16 x 1
112	532 00 36-45	Bushing

**NOTE:** All component dimensions given in U.S. inches  
1 inch = 25.4 mm



# REPAIR PARTS

TRACTOR-MODEL NO. YTH180 XP (96011000500), PRODUCT NO. 954 17 02-05  
MOWER DECK

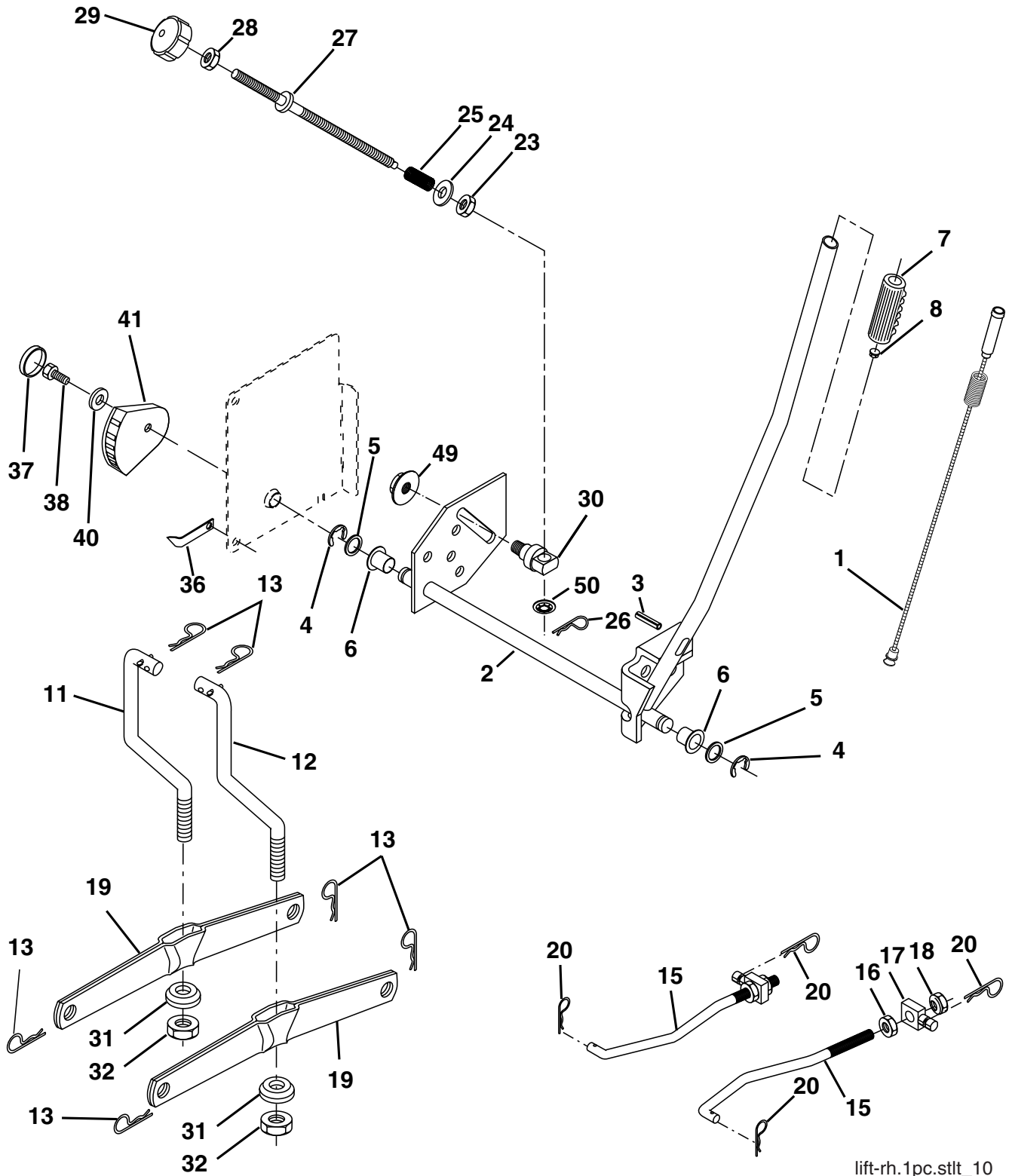
KEY NO.	PART NO.	DESCRIPTION	KEY NO.	PART NO.	DESCRIPTION
1	532 16 58-92	Housing Asm Mower 42"94 T-Path	61	532 17 48-82	Spring Ext. Elect
2	872 14 05-06	Bolt Rdhd Sqnk 5/16-18 unc x 3/4	68	532 18 02-60	V-Belt Mower
3	532 13 80-17	Bracket Asm Fr Sway Bar 38/42	91	532 18 05-32	Bracket Asm Noseroller LH
4	532 16 54-60	Bracket Asm Deck 42"sway Bar	92	873 80 06-00	Nut Lock Hex 3/8-16 unc
5	532 12 46-70	Retainer Spring	94	532 13 22-64	Roller Nose 38 & 42
6	532 17 80-24	Bar Sway Deck	95	532 18 05-33	Bracket Asm Noseroller RH
8	532 85 08-57	Bolt 3/8-24 x 1 25 Gr. 8 Patched	111	532 17 92-92	Bracket Gauge Wheel Lh
9	810 03 06-00	Washer Lock Hvy 3/8 Unplated	112	532 17 92-93	Bracket Gauge Wheel Rh
10	532 14 02-96	Washer Hard Blade Mower Vented	113	817 00 05-10	Bolt 5/16-18 Hex Wsh Hd Lckserr
11	532 13 89-71	Blade Mower High Lift"	116	532 12 48-42	Bolt Shoulder
13	532 13 76-45	Shaft Asm W/lower Bearing	117	532 16 57-46	Wheel Gauge
14	532 12 87-74	Housing Mandrel Vented(machd)	118	873 93 06-00	Nut Centerlock 3/8-16 unc
15	532 11 04-85	Bearing Ball Mandrel	119	819 12 14-14	Washer 3/8 x 7/8 x 14 Ga.
16	532 17 44-93	Stripper Round Mower	129	819 13 13-12	Washer 13/32 x 13/16 x 12 Ga.
18	872 14 05-05	Bolt Carr 5/16-18 x 5/8	130	874 78 06-16	Bolt Fin Hex 3/8-16 unc x 1 Gr. 5
19	532 13 28-27	Bolt Shoulder	131	872 14 06-08	Bolt Rdhd Sqnk 3/8-16 unc x 1
20	532 15 97-70	Baffle Vortex 42	132	817 00 06-12	Screw 3/8-16 x .75
21	873 68 05-00	Nut Crown Lock 5/16-18	143	532 15 71-09	Bracket Arm Idler
23	532 17 75-63	Bracket Deflector Mower 42"	144	532 15 86-34	Keeper Belt
24	532 10 53-04	Cap Sleeve 80 x 112 Blk Mower	145	532 16 58-88	Pulley Idler Flat
25	532 12 37-13	Spring Torsion Deflector 2 52	146	532 17 19-77	Bolt Carriage Idler
26	532 11 04-52	Nut Push Phos & Oil	148	532 16 90-22	Spring Return Idler
27	532 17 18-59	Shield Deflector	149	532 16 58-98	Retainer Spring Yellow
28	819 11 10-16	Washer 11/32 x 5/8 x 16 Ga.	150	819 09 12-10	Washer 9/32 x 3/4 x 10 Ga.
29	532 13 14-91	Rod Hinge 42"6 75 Wlg	159	872 14 06-14	Bolt RDHD Sqn 3/8-16 x 1-3/4
30	532 17 39-84	Screw Thd Rolling Hex	182	532 17 91-26	Rod Roller Nose
31	532 18 76-90	Washer Spacer	183	532 16 35-52	Retainer Spring
32	532 15 35-35	Pulley Mandrel	184	819 13 14-10	Washer 13/32 x 7/8 x 10 Ga.
33	532 17 83-42	Nut Top Lock Fling	--	532 13 07- 94	Mandrel Assembly (Includes Housing, Shaft and Shaft Hardware Only - Pulley Not Included)
34	872 11 06-12	Bolt RDHD 3/8-16 x 1-1/2	--	532 18 19-62	Replacement Mower, Complete (Std. Deck - Order separately nose roller and guage wheel components key nos. 91, 94, 95, 132, 182, 183 and 116-119)
36	532 13 14-94	Pulley Idler Flat 3 060			
40	873 90 06-00	Nut Lock 3/8-16 unc			
44	532 14 00-88	Guard Mandrel LH Black			
45	532 12 47-88	Retainer Spring			
46	532 13 77-29	Screw Thdrol 1/4-20 x 5/8			
54	532 17 85-15	Washer Hardened			
55	532 15 50-46	Arm Idler 42"mower LT/YT			
56	532 16 57-23	Spacer Retainer Mower			
59	532 14 10-43	Guard, Belt			

**NOTE:** All component dimensions given in U.S. inches  
1 inch = 25.4 mm



# REPAIR PARTS

TRACTOR-MODEL NO. YTH180 XP (96011000500), PRODUCT NO. 954 17 02-05  
MOWER LIFT



lift-rh.1pc.stlt\_10

# REPAIR PARTS

TRACTOR-MODEL NO. YTH180 XP (96011000500), PRODUCT NO. 954 17 02-05  
MOWER LIFT

KEY NO.	PART NO.	DESCRIPTION
1	532 15 94-60	Wire Asm Inner/Sprg w/plngr LT
2	532 15 94-71	Shaft Asm Lift
3	532 10 57-67	Pin Groove
4	812 00 00-02	E Ring #5133-62
5	819 21 16-21	Washer 21/32 x 1 x 21 Ga.
6	532 12 01-83	Bearing Nylon Blk 629 Id
7	532 12 56-31	Grip Handle
8	532 12 45-26	Button Plunger Black
11	532 13 98-65	Link Lift LH Mower
12	532 13 98-66	Link Lift RH Mower
13	532 12 46-70	Retainer Spring
15	532 17 32-88	Link Front
16	873 35 08-00	Nut Jam Hex 1/2-13 unc
17	532 17 56-89	Trunnion Blk Zinc
18	873 80 08-00	Nut Lock w/wsh 1/2-13 unc
19	532 13 98-68	Arm Suspension Rear
20	532 16 35-52	Retainer Spring
23	532 11 08-07	Nut Special
24	819 13 10-16	Washer 13/32 x 5/8 x 16 Ga.
25	532 12 48-74	Spring 2-1/8"
26	532 16 94-84	Retainer Clip
27	532 12 69-71	Rod Adj Lift
28	873 35 06-00	Nut Hex Jam 3/8-16 unc
29	532 13 80-57	Knob Inf 3/8-16 unc
30	532 15 02-33	Trunnion Inf. Height
31	532 16 98-65	Bearing PT Lift
32	873 54 06-00	Nut Crownlock 3/8-24
36	532 15 50-97	Pointer Height Ind
37	532 12 39-35	Plug Hole
38	817 06 05-16	Screw 5/16-18 x 1
40	819 11 24-10	Washer 11/32 x 1-1/2 x 10 Ga.
41	532 15 50-98	Ind Height STLT
49	532 14 52-12	Nut, Hex Flange Lock
50	532 11 04-52	Nut, Push

**NOTE:** All component dimensions given in U.S. inches  
1 inch = 25.4 mm