

SG13

Spare parts

Ersatzteile

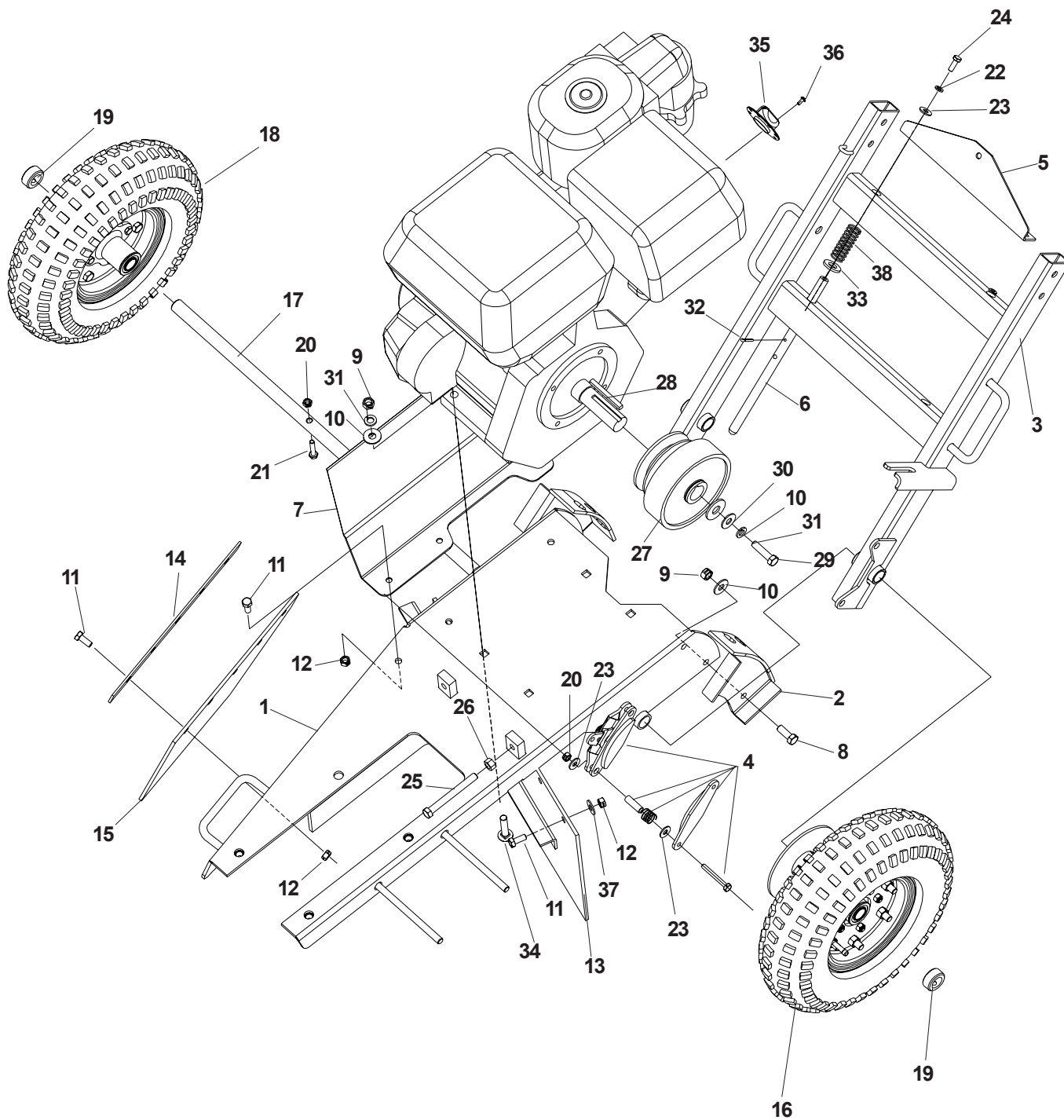
Pièces détachées

Reserve onderdelen

Repuestos

Reservdelar

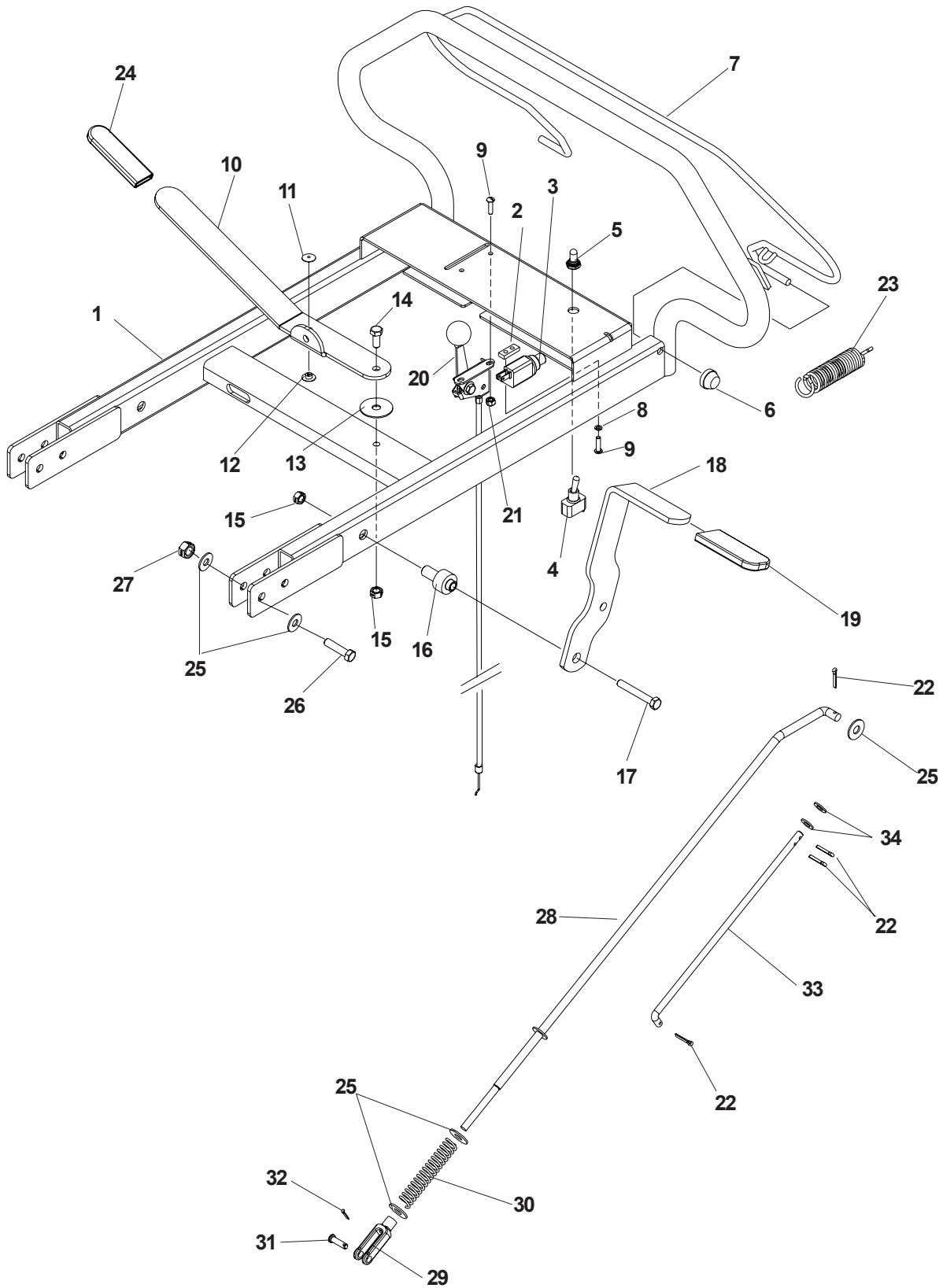
DECK ASSEMBLY



DECK ASSEMBLY

ITEM	PART NO.	QTY.	DESCRIPTION
1	539 10 93-16	1	DECK
2	540 02 02-21	2	BRACKET, KIT (INCLUDES ONE BRACKET & HARDWARE)
3	539 10 93-21	1	HANDLE, LOWER
4	539 02 00-24	1	BRAKE, CALIPER
5	539 10 86-49	1	BRACKET, HANDLE POSTIONING
6	539 02 00-82	2	PIN, HANDLE ADJUSTMENT
7	539 10 92-83	1	FENDER
8	539 99 05-63	4	HCS 3/8-16 X 1, GR5
9	539 99 05-46	8	NUT 3/8-16, CENTER LOCK
10	539 99 05-17	9	WASHER, 3/8, FLAT
11	539 97 69-34	14	HCS 5/16-18 X 3/4, GR5
12	539 99 01-84	14	NUT 5/16-18, CENTER LOCK
13	539 02 00-94	1	DEFLECTOR, NEOPRENE, REAR
14	539 20 07-81	1	STRAP, DEFLECTOR
15	539 02 00-84	1	DEFLECTOR, SIDE, NEOPRENE
16	539 02 00-74	1	WHEEL W/DISC, 12" SNOW HOG
17	539 02 00-85	1	AXLE
18	540 02 00-25	1	WHEEL, 12" SNOW HOG
19	539 02 00-28	2	SET COLLAR, 3/4" BORE
20	539 99 07-61	3	NUT 1/4-20, CENTER LOCK
21	539 10 02-66	1	HCS 1/4-20 X 1 1/4, GR5
22	539 99 00-52	2	LOCKWASHER, 1/4
23	539 99 05-98	6	WASHER, 1/4, FLAT
24	539 99 05-80	2	HCS 1/4-20 X 3/4, GR5
25	539 10 93-89	2	HCS 3/8-16 X 3 1/2, GR5
26	539 99 01-30	2	NUT 3/8-16
27	539 02 00-20	1	CLUTCH, CENTRIFUGAL, 2-GROOVE
	539 11 07-62	1	KIT, SNAP RINGS & BEARINGS (NOT SHOWN)
	539 11 07-63	1	KIT, CLUTCH SHOES & SPRINGS (NOT SHOWN)
28	539 91 70-33	1	KEY, 1/4 SQ X 2 1/2"
29	539 99 01-64	1	HCS 3/8-24 X 1 1/2, GR5
30	539 00 04-27	1	WASHER 1/2, FLAT
31	539 99 01-18	5	LOCK WASHER, 3/8
32	539 99 03-65	2	COTTER PIN
33	539 99 02-50	2	WASHER 1/2, SAE FLAT
34	539 99 09-23	4	RHSNB 3/8-16 X 1 3/4, GR5
35	539 02 00-92	1	DEFLECTOR, EXHAUST
36	539 10 84-95	3	SCREW #8-32 X 3/8, SELF TAP, PHIL
37	539 99 06-92	9	WASHER 5/16, FLAT
38	539 02 00-34	2	SPRING, COMPRESSION

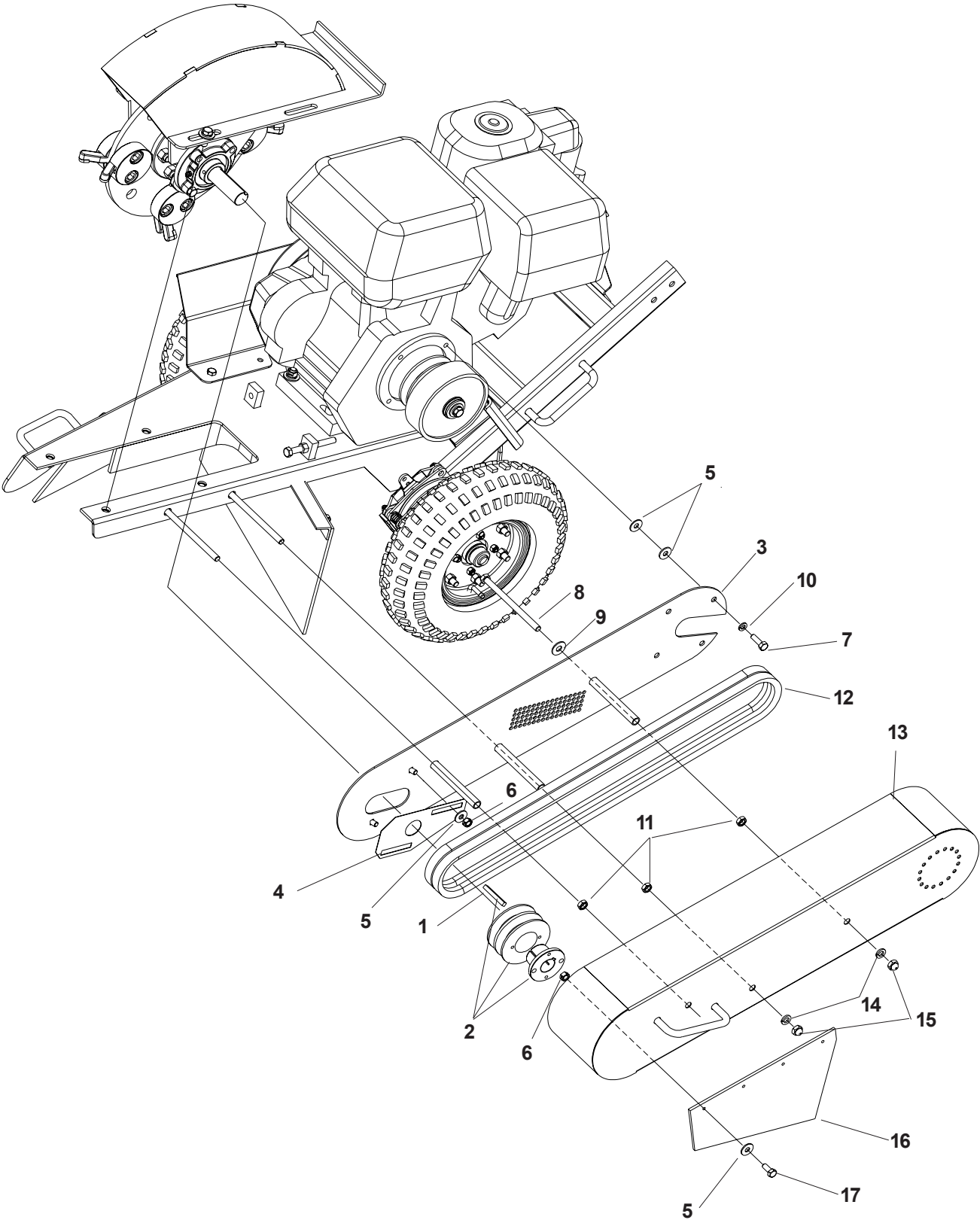
UPPER HANDLE BAR



UPPER HANDLE BAR

ITEM	PART NO.	QTY.	DESCRIPTION
1	539 10 99-51	1	HANDLE W/DECAL, UPPER
2	539 10 26-78	1	PLATE, TAPPED
3	539 02 00-17	1	SWITCH, NC PLUNGER TYPE
4	539 02 00-16	1	SWITCH, TOGGLE
5	539 02 00-41	1	BOOT, TOGGLE SWITCH
6	539 10 87-92	2	NUT 5/16, PUSH CAP
7	540 02 02-01	1	BAIL KIT (ALSO INCLUDES ITEM 6 & 23)
8	539 10 73-60	2	LOCKWASHER 5/16
9	539 10 85-35	4	SCREW #10-24 X 3/4, SLTD RD
10	539 10 86-47	1	HANDLE, POSITION ADJ.
11	539 10 90-89	1	RIVET, SNAP-MALE HALF
12	539 10 90-90	1	RIVET, SNAP-FEMALE HALF
13	539 10 29-98	1	WASHER, FRICTION
14	539 97 69-34	1	HCS 5/16-18 X 3/4, GR5
15	539 99 01-84	2	NUT 5/16C, CENTER LOCK
16	539 10 92-79	1	BUSHING
17	539 97 69-38	1	HCS 5/16-18 X 2 1/4, GR5
18	539 10 89-95	1	HANDLE, WHEEL BRAKE
19	539 10 89-96	1	GRIP, PARK BRAKE
20	539 02 00-23	1	THROTTLE CONTROL W/KNOB
21	539 97 69-77	2	NUT #10-24, NYLOC
22	539 99 03-65	4	COTTER PIN
23	539 02 00-35	1	SPRING
24	539 11 08-65	1	GRIP, BLACK VINYL
25	539 99 05-17	11	WASHER 3/8, FLAT
26	539 99 05-88	4	HCS 3/8-16 X 2, GR5
27	539 99 05-46	4	NUT 3/8C, CENTER LOCK
28	539 10 89-92	1	ROD, PARK BRAKE
29	539 97 64-81	1	YOKE, 3/8F
30	539 10 01-02	1	SPRING, COMPRESSION
31	539 10 89-75	1	PIN, CLEVIS 1/4 X 7/8
32	539 97 69-88	1	PIN, HAIR, 5/64 X 1 7/16
33	539 10 86-48	1	ROD, POSITION ADJUSTMENT
34	539 99 01-88	2	WASHER 5/16, SAE FLAT

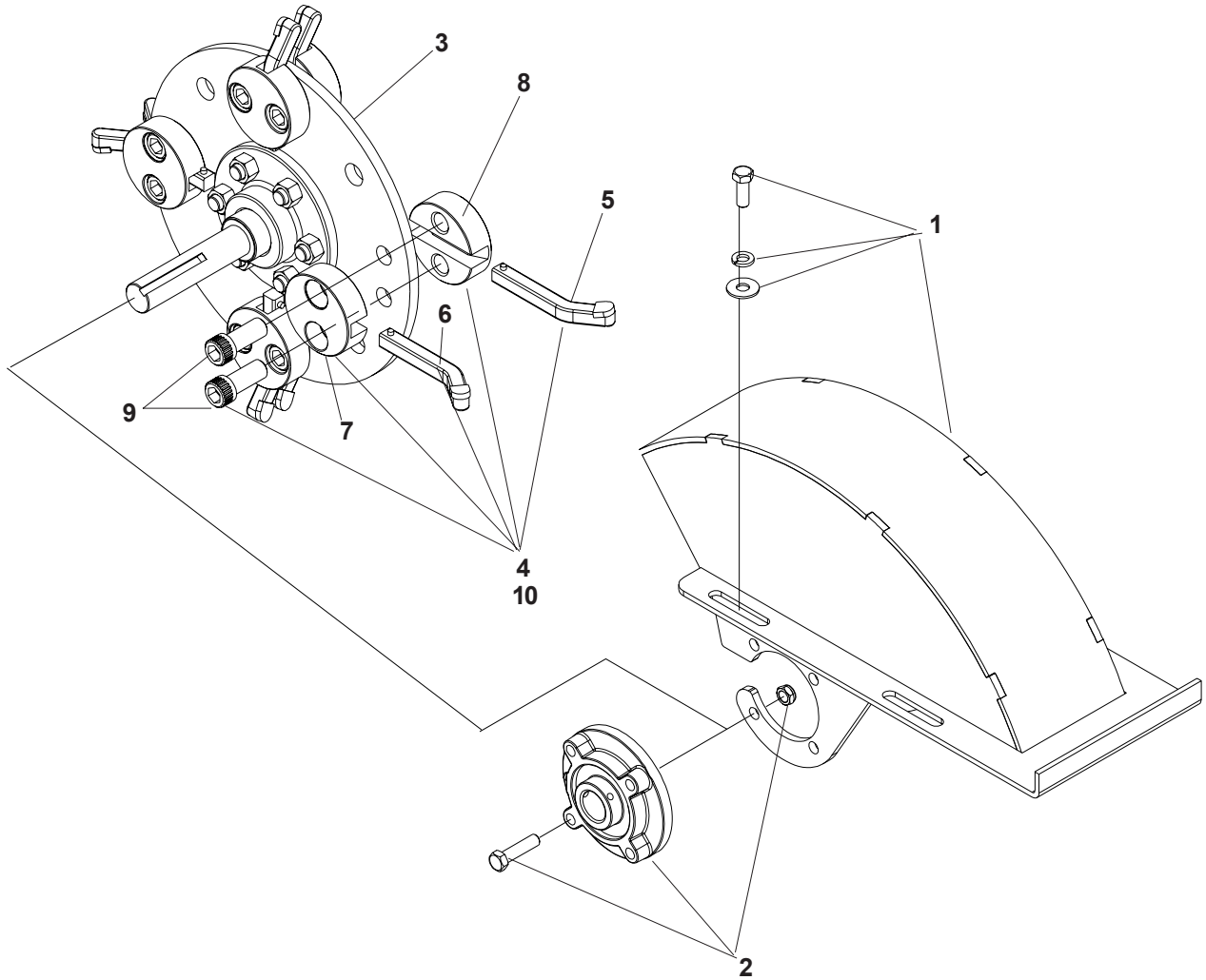
BELT COVER



BELT COVER

ITEM	PART NO.	QTY.	DESCRIPTION
1	539 91 02-10	1	KEY 1/4 SQ X 2
2	539 11 14-01	1	PULLEY, TAPERLOCK, 2V
3	540 02 02-13	1	BELT GUARD BACK
4	539 10 82-13	1	PLATE, COVER
5	539 99 06-92	14	WASHER 5/16, FLAT
6	539 99 01-84	6	NUT 5/16C, CENTER LOCK
7	539 10 83-98	4	HCS 5/16-24 X 1, GR5
8	539 10 85-05	1	HCS 3/8-16 X 5 1/2, GR5
9	539 99 05-17	1	WASHER 3/8 FLAT
10	539 99 01-87	4	LOCKWASHER 3/8
11	539 10 93-32	3	NUT 3/8-16, JAM
12	539 20 07-51	1	V-BELT, "B" SECT. SET OF 2
13	540 02 02-12	1	COVER, BELT GUARD
14	539 99 01-18	3	LOCKWASHER 3/8
15	539 10 87-46	3	NUT 3/8-16, ACORN
16	539 02 00-89	1	DEFLECTOR, NEOPRENE, LEFT SIDE
17	539 97 69-34	4	HCS 5/16-18 X 3/4, GR5

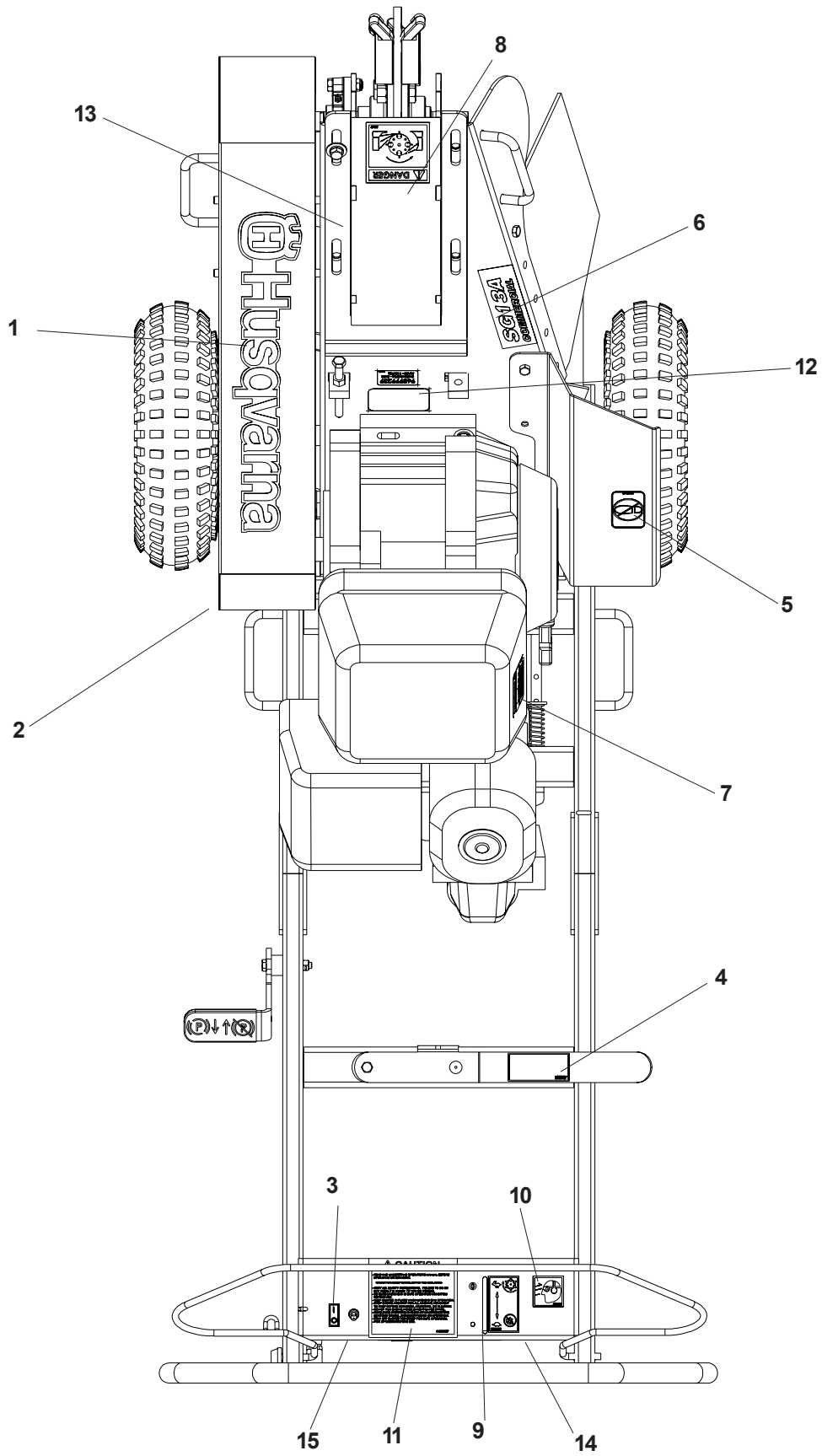
SHROUD AND BLADE ASSEMBLY



SHROUD AND BLADE ASSEMBLY

ITEM	PART NO.	QTY.	DESCRIPTION
1	540 02 02-25	1	KIT, CUTTING WHEEL SHROUD (includes) SHROUD W/DECAL BOLT, 3/8-16 X 1 (4 EA) LOCKWASHER 3/8 (4 EA) WASHER 3/8, FLAT (4 EA)
2	539 02 02-26	1	BEARING, FLANGE (includes) BEARING (1 EA) BOLT 3/8-16 X 1 3/4 (4 EA) NUT 3/8, LOCK (4 EA)
3	539 02 02-27	1	CUTTING WHEEL ASSEMBLY (NO TEETH)
4	539 02 02-28	1	COMPLET SET OF CUTTING TEETH (includes) COUNTER BORE POCKET (4 EA) THREADED POCKETS (4 EA) LEFT TOOTH (4 EA) RIGHT TOOTH (4 EA) SOCKET HEAD SCREWS (8 EA)
5	539 02 02-29	1	RIGHT TOOTH
6	539 02 02-30	1	LEFT TOOTH
7	539 02 02-31	1	COUNTER BORE POCKET
8	539 02 02-32	1	THREADED POCKET
9	539 02 02-33	1	SOCKET HEAD SCREW (2 EA) TWO SCREWS ARE REQUIRED PER POCKET
10	539 20 07-52	1	CUTTING TEETH, COMPLETE (includes) RIGHT TOOTH (4 EA) LEFT TOOTH (4 EA)
	539 11 01-44	1	ALLEN WRENCH, 1/2" X 8" (NOT SHOWN)

DECALS



DECALS

ITEM	PART NO.	QTY.	DESCRIPTION
1	539 11 10-46	1	DECAL, LOGO HUSQVARNA
2	539 11 10-44	1	DECAL, CROWN
3	539 20 08-30	1	DECAL, ON/OFF
4	539 10 89-87	1	DECAL, HANDLE ADJUSTMENT
5	539 10 57-43	1	DECAL, NO STEP
6	539 11 10-60	1	DECAL, SG13A STUMP GRINDER
7	539 10 18-81	1	DECAL, PROP 65
8	539 00 83-69	1	DECAL, DANGER FOOT
9	539 20 08-29	1	DECAL, THROTTLE
10	540 20 01-26	1	DECAL, EAR AND EYE WARNING
11	540 20 00-27	1	DECAL, CAUTION LIST
12	539 10 97-02	1	DECAL, CE968999239
13	539 10 50-71	1	DECAL, NASCAR
14	539 20 07-62	1	DECAL, 107DBA SOUND POWER
15	539 11 05-90	1	DECAL, OPN STUMP GRINDER

WIRING DIAGRAM

