

CT2124

Spare parts

Ersatzteile

Pièces détachées

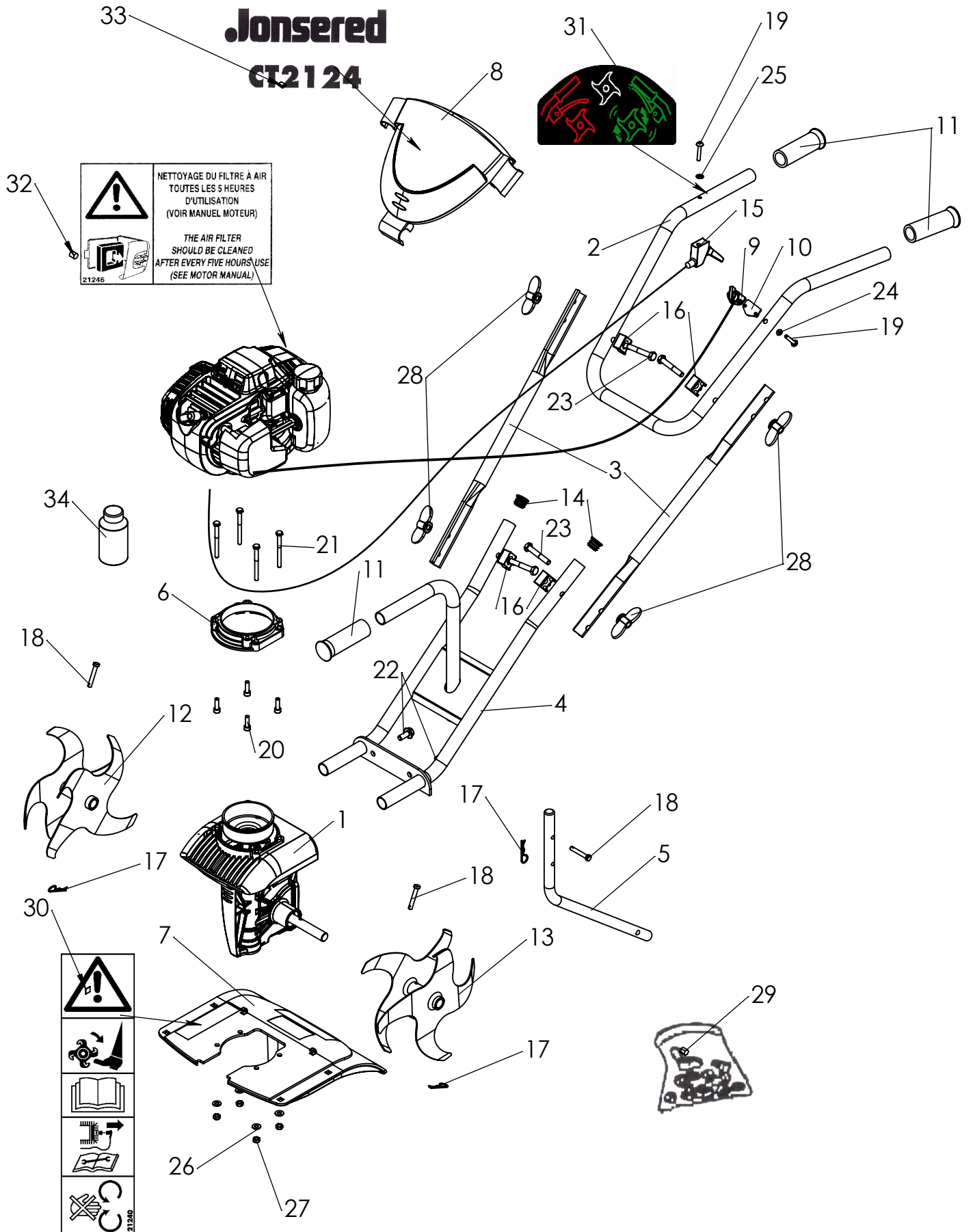
Reserve onderdelen

Repuestos

Reservdelar

REPAIR PARTS

MICROTILLER - MODEL NO. CT2124, PRODUCT NO.544 15 78-01



REPAIR PARTS

MICROTILLER - MODEL NO. CT2124, PRODUCT NO.544 15 78-01

No. article	PART NO.	DESCRIPTION	DESIGNATION	QTY / QTE
1	531 00 85-31	Transmission	Transmission	1
2	544 21 22-01	Black top handlebar	Guidon haut noir	1
3	544 20 36-01	Black intermediate handelbar	Guidon intermédiaire noir	2
4	531 00 85-27	Black bottom handelbar	Guidon bas noir	1
5	531 00 85-26	Black spur	Béquille noire	1
6	531 00 85-32	Adapter axel/motor	Adaptateur pont/moteur	1
7	544 20 37-01	Red guard (3001)	Protecteur rouge (3001)	1
8	544 20 38-01	Red control panel (option)	Tableau de bord rouge (option)	1
9	504 73 78-01	Robin EH035V switch	Switch Robin EH035V	1
10	544 20 39-01	Support switch Robin EH09	Supp switch Robin EH09	1
11	544 20 66-01	Hand side grip	Poignée Ø22x100	3
12	531 00 85-29	Rotating blade right	Fraise 4 ctx Droite	1
13	531 00 85-30	Rotating blade left	Fraise 4 ctx Gauche	1
14	531 00 85-37	Black plug Ø22	Embout rond noir Ø22	2
15	544 20 40-01	Throttle cable+lever GX25 (after 11/04)	Câble gaz+Manette GX25 (après 11/04)	1
16	544 20 57-01	Cable handlebar fixing block	Support câble guidon noir	4
17	519 65 12-20	Clip pin beta 2 Z	Goupille Béta 2 Z	3
18	501 98 55-01	Pin 6x38 Z	Goupille 6x38 Z	3
19	501 98 52-01	Pozidrive screw M 5x30 Z	Vis pozi M 5x30 Z	2
20	531 00 84-09	Screw CHC M6x20z	Vis CHC M 6x20z	4
21	531 00 85-42	Screw HM 6x65 Z	Vis HM 6x65 Z	4
22	519 65 34-33	Screw H M8x20 z notched shoulder	Vis HM 8x20 z emb cr	2
23	544 20 75-01	Screw HM 8x50 Z	Vis HM 8x50 Z	4
24	531 00 85-39	Washer M 3.2x10x1 Z	Rondelle M 3.2x10x1 Z	1
25	501 98 53-01	Washer M 5x12x1 Z	Rondelle M 5x12x1 Z	1
26	519 65 34-49	Washer M6x14x1.2 Z	Rondelle M6x14x1.2 Z	4
27	732 26 16-01	Blocking nut M 6 Z	Ecrou frein M 6 Z	4
28	501 98 51-01	Handlebar tighening handle	Ecrou papillon guidon noir	4
29	531 00 85-70	Bag of screws (microbineuse)	Pochette visserie (microbineuse)	1
30	531 00 85-40	Safety label	Etiqu. "sécurité"	1
31	519 65 30-85	Label "clutch lever"	Etiqu. "Embrayage"	1
32	531 00 94-20	Label "Air filter cleaning"	Etiquelle "Nett filtre à air"	1
33	544 20 41-01	Label "Jonsered CT2124"	Etiquette "Jonsered CT2124"	1
34	505 54 43-01	Engine oil 0.1L	Bidon d'huile moteur 0.1L	1