



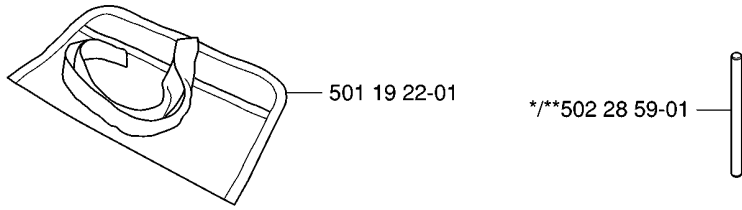
# SPARE PARTS LIST

BRUSHCUTTERS/CLEARING SAWS

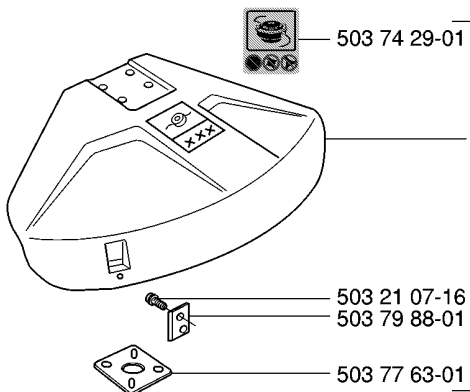
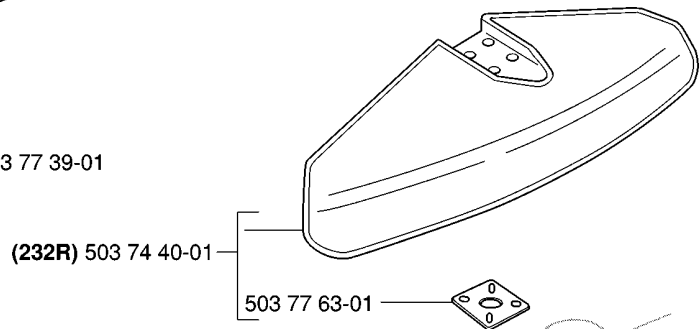
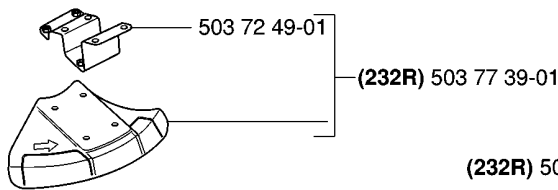
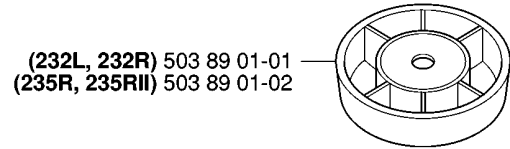
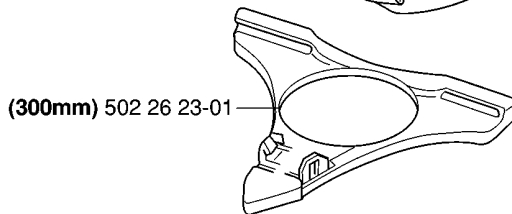
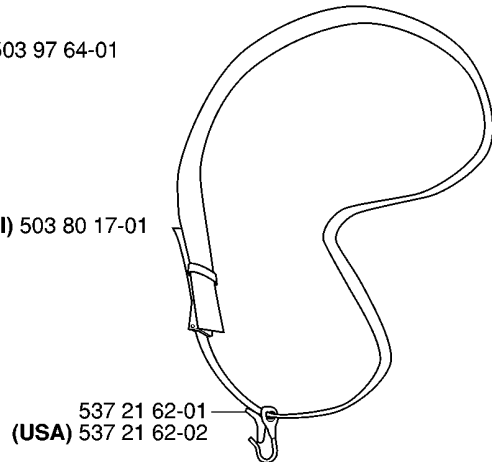
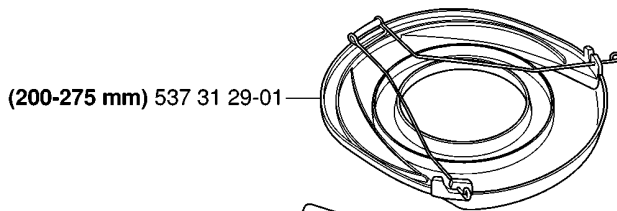
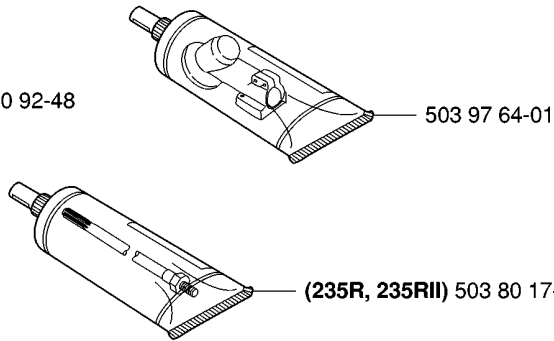
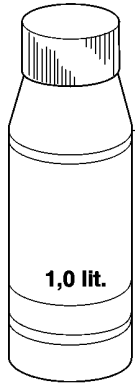
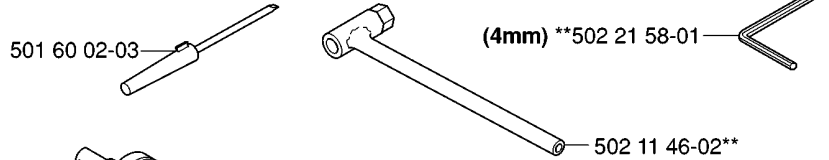
235 R, 2006-04

**T Accessories**  
**Zubehöre**  
**Accessoires**  
**Accesorios**  
**Tillbehör**

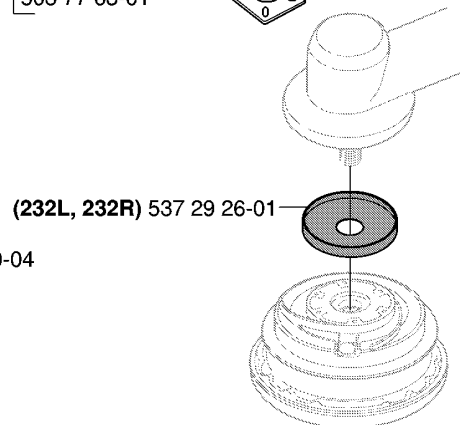
\*compl 502 21 60-01 (232)  
 \*\*compl 502 21 60-14 (235)



**Oil Airfilter**  
**Öl Luftfilter**  
**Aceite Filtro Air**  
**Huile Filtera aire**  
**Olja Luftfilter**



((232L, 232R) 503 74 50-04)

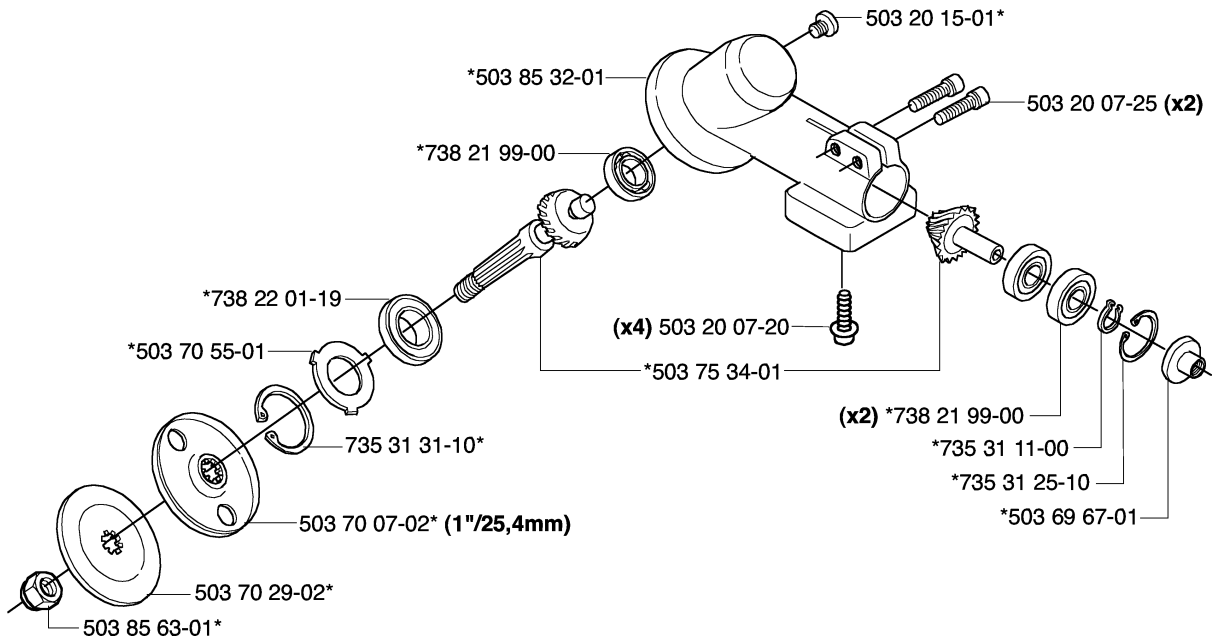


## ACCESSORIES

235 R, 2006-04

| Part No      | Description     | Remark       | QTY KIT |
|--------------|-----------------|--------------|---------|
| 501 19 22-01 | TOOL            |              | 1       |
| 501 60 02-03 | SCREWDRIVER     |              | 1       |
| 502 11 46-02 | SOCKET WRENCH   |              | 1       |
| 502 21 58-01 | L-NYCKEL        | 4MM          | 1       |
| 502 21 60-01 | ACCESSORY BAG   | 232          | 1       |
| 502 21 60-14 | ACCESSORY BAG   | 235          | 1       |
| 502 26 23-01 | TRANSPORT GUARD | 300MM        | 1       |
| 502 28 59-01 | STOP            |              | 1       |
| 503 21 07-16 | SCREW IHSCT     |              | 1       |
| 503 72 49-01 | ADAPTER         |              | 1       |
| 503 74 29-01 | DECAL           |              | 1       |
| 503 74 40-01 | BLADE GUARD     | 232R         | 1       |
| 503 74 50-04 | TRIMMER GUARD   | 232L,232R    | 1       |
| 503 77 39-01 | SAW BLADE GUARD | 232R         | 1       |
| 503 77 63-01 | BASEPLATE       |              | 1       |
| 503 77 63-01 | BASEPLATE       |              | 1       |
| 503 79 88-01 | BLADE           |              | 1       |
| 503 80 17-01 | GREASE          | 235R, 235RII | 1       |
| 503 89 01-01 | SUPPORT CUP     | 232L, 232R   | 1       |
| 503 89 01-02 | SUPPORT CUP     | 235R, 235RII | 1       |
| 503 97 64-01 | GREASE          |              | 1       |
| 531 00 92-48 | FILTER OIL      |              | 1       |
| 537 21 62-01 | HARNESS         |              | 1       |
| 537 21 62-02 | HARNESS         | USA          | 1       |
| 537 29 26-01 | CUP             | 232L, 232R   | 1       |
| 537 31 29-01 | SAW BLADE GUARD | 200-275 MM   | 1       |

**A 232L, 232R**  
\*compl 502 21 92-08 (1"/25,4mm)

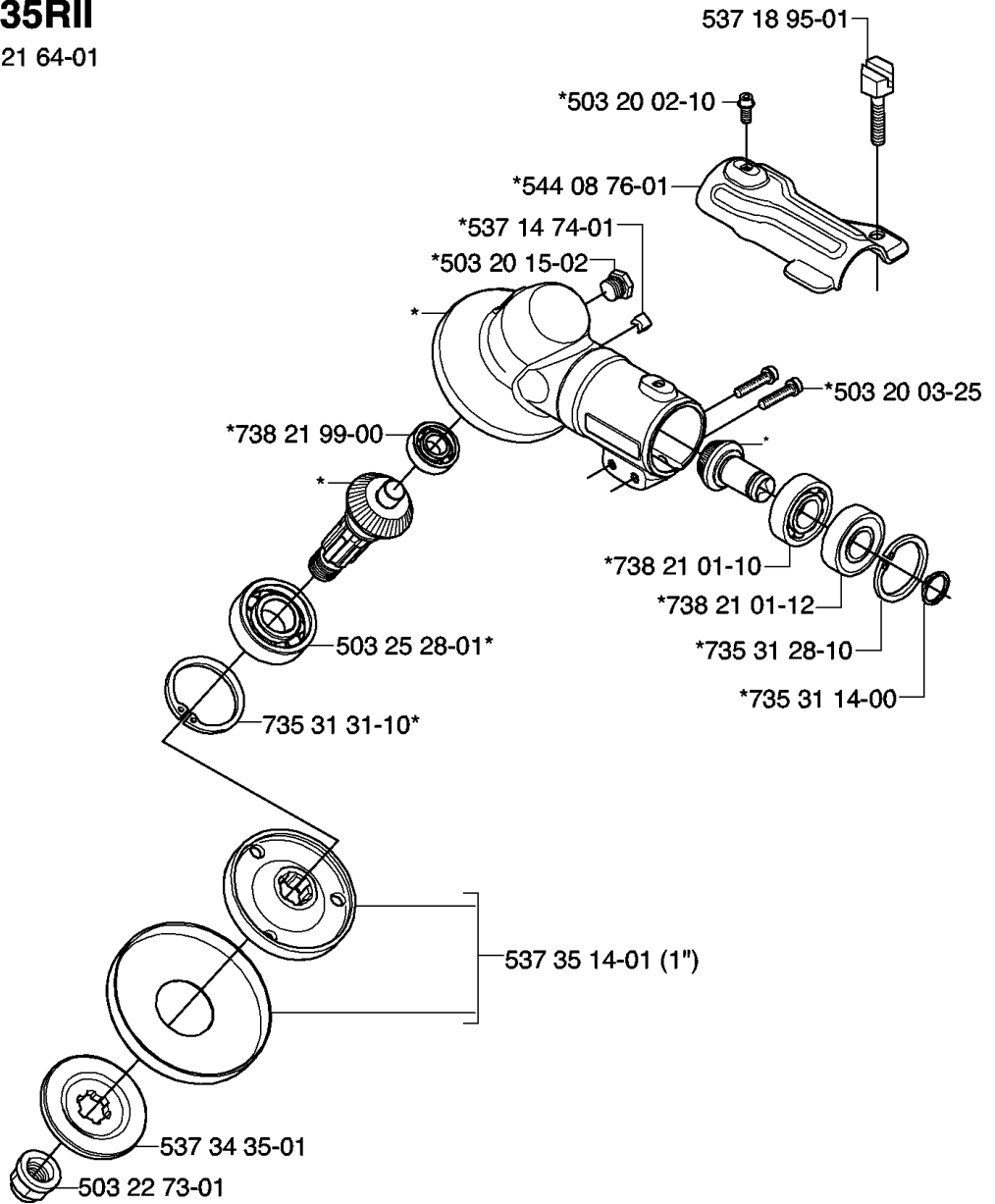


## BEVEL GEAR

235 R, 2006-04

| Part No      | Description       | Remark   | QTY KIT |
|--------------|-------------------|----------|---------|
| 502 21 92-08 | GEAR              | 1/25,4MM | 1       |
| 503 20 07-20 | SCREW IHSCFM      |          | 4       |
| 503 20 07-25 | SCREW IHSCFM      |          | 2       |
| 503 20 15-01 | SCREW IHHM        |          | 1       |
| 503 69 67-01 | GASKET RING UPPER |          | 1       |
| 503 70 07-02 | DRIVER            | 1/25,4MM | 1       |
| 503 70 29-02 | SUPPORT FLANGE    |          | 1       |
| 503 70 55-01 | COVER WASHER      |          | 1       |
| 503 75 34-01 | GEAR WHEEL        |          | 1       |
| 503 85 32-01 | GEAR HOUSING      |          | 1       |
| 503 85 63-01 | NUT               |          | 1       |
| 735 31 11-00 | CIRCLIP           |          | 1       |
| 735 31 25-10 | CIRCLIP           |          | 1       |
| 735 31 31-10 | CIRCLIP           |          | 1       |
| 738 21 99-00 | BALL BEARING      |          | 1       |
| 738 21 99-00 | BALL BEARING      |          | 2       |
| 738 22 01-19 | BALL BEARING      |          | 1       |

**A 235R, 235R11**  
\*compl 544 21 64-01

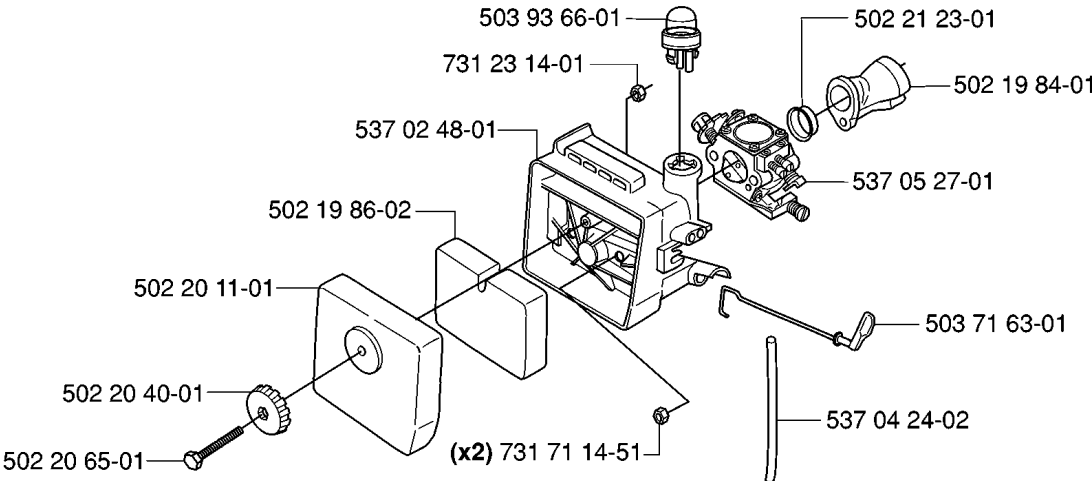


## BEVEL GEAR

235 R, 2006-04

| Part No      | Description    | Remark                                    | QTY KIT |
|--------------|----------------|---|---------|
| 503 20 02-10 | SCREW IHSCFM   |   | 1       |
| 503 20 03-25 | SCREW IHSCFM   |   | 1       |
| 503 20 15-02 | SCREW IHHM     |   | 1       |
| 503 22 73-01 | NUT            |   | 1       |
| 503 25 28-01 | BALL BEARING   |   | 1       |
| 537 14 74-01 | MAGNET         |   | 1       |
| 537 18 95-01 | SCREW          |   | 1       |
| 537 34 35-01 | SUPPORT FLANGE |   | 1       |
| 537 35 14-01 | DRIVER         | 1   | 1       |
| 544 08 76-01 | CLAMP          |   | 1       |
| 544 21 64-01 | GEAR           | Valid from 2006-05.<br>Square connection. | 1       |
| 735 31 14-00 | CIRCLIP        |   | 1       |
| 735 31 28-10 | CIRCLIP        |   | 1       |
| 735 31 31-10 | CIRCLIP        |   | 1       |
| 738 21 01-10 | BALL BEARING   |   | 1       |
| 738 21 01-12 | BALL BEARING   |   | 1       |
| 738 21 99-00 | BALL BEARING   |   | 1       |

**M**





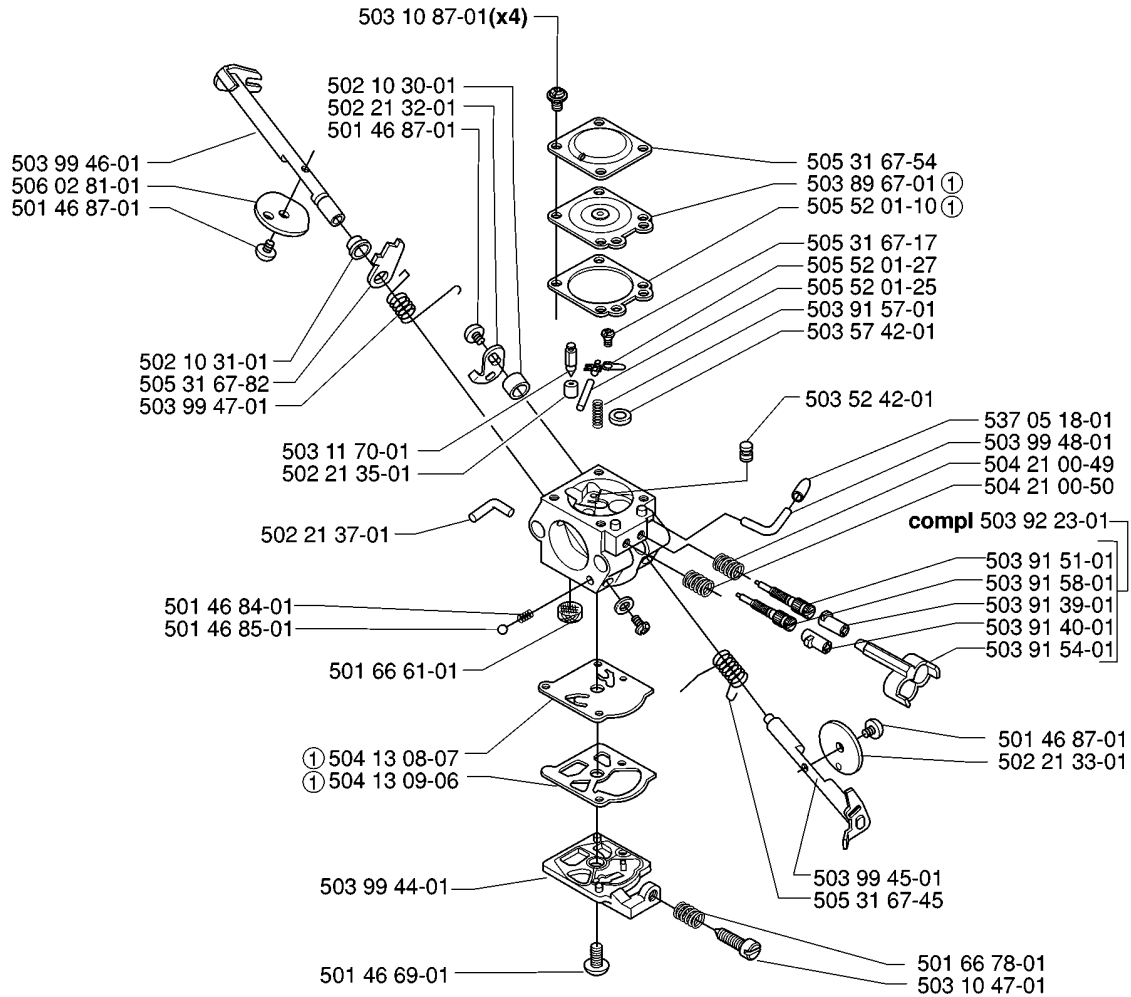
## CARBURETOR &amp; AIR FILTER

235 R, 2006-04

| Part No      | Description        | Remark | QTY KIT |
|--------------|--------------------|--------|---------|
| 502 19 84-01 | INLET PIPE         |        | 1       |
| 502 19 86-02 | AIR FILTER         |        | 1       |
| 502 20 11-01 | FILTER COVER       |        | 1       |
| 502 20 40-01 | KNOB               |        | 1       |
| 502 20 65-01 | SCREW EHHM         |        | 1       |
| 502 21 23-01 | SUPPORT RING       |        | 1       |
| 503 71 63-01 | CHOKE CONTROL      |        | 1       |
| 503 93 66-01 | PRIMER HOUSING     |        | 1       |
| 537 02 48-01 | FILTER HOLDER      |        | 1       |
| 537 04 24-02 | FUEL HOSE          |        | 1       |
| 537 05 27-01 | CARBURETTOR        |        | 1       |
| 731 23 14-01 | HEXAGON NUT        |        | 1       |
| 731 71 14-51 | HEXAGON NUT FLANGE |        | 2       |

**R** compl 537 05 27-01

**Walbro WT 548**



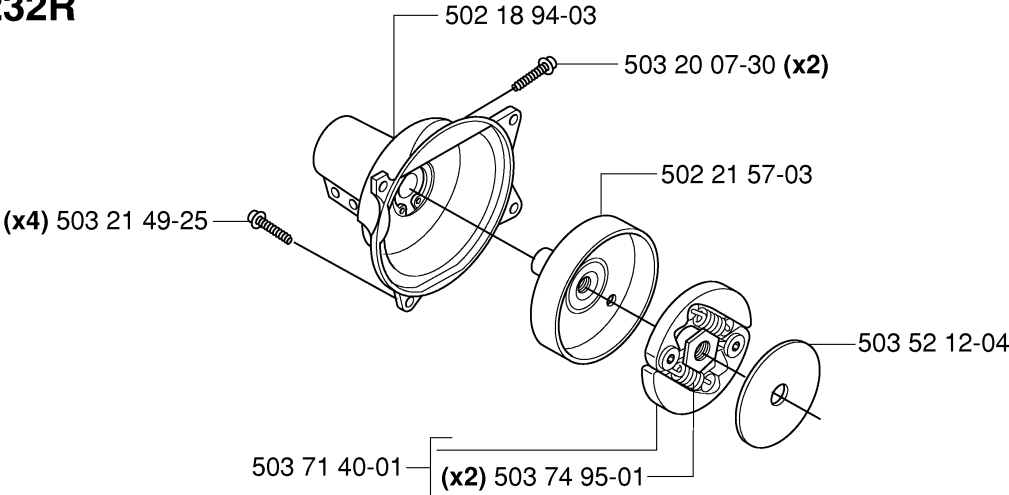
- ① 530 03 51-73  
**Set of gaskets**  
**Dichtungssatz**  
**Jeu de joints**  
**Juego de juntas**  
**Packningssats**

## CARBURETOR DETAILS

235 R, 2006-04

| Part No      | Description        | Remark                      | QTY KIT |
|--------------|--------------------|-----------------------------|---------|
| 501 46 69-01 | SCREW              |                             | 1       |
| 501 46 84-01 | SPRING             |                             | 1       |
| 501 46 85-01 | BALL               |                             | 1       |
| 501 46 87-01 | SCREW              |                             | 1       |
| 501 46 87-01 | SCREW              |                             | 1       |
| 501 46 87-01 | SCREW              |                             | 1       |
| 501 66 61-01 | SCREEN             |                             | 1       |
| 501 66 78-01 | SPRING             |                             | 1       |
| 502 10 30-01 | DISTANCE           |                             | 1       |
| 502 10 31-01 | BUSHING            |                             | 1       |
| 502 21 32-01 | LEVER THROTTLE     |                             | 1       |
| 502 21 33-01 | VALVE THROTTLE     |                             | 1       |
| 502 21 35-01 | SEAT INLET VALVE   |                             | 1       |
| 502 21 37-01 | FITTING            |                             | 1       |
| 503 10 47-01 | SCREW              |                             | 1       |
| 503 10 87-01 | SCREW              |                             | 4       |
| 503 11 70-01 | NEEDLE             |                             | 1       |
| 503 52 42-01 | NOZZLE ASSY        |                             | 1       |
| 503 57 42-01 | PLUG               |                             | 1       |
| 503 89 67-01 | DIAPHRAGM          | 530 03 51-73 SET OF GASKETS | 1       |
| 503 91 39-01 | LIMITER CAP        |                             | 1       |
| 503 91 40-01 | LIMITER CAP        |                             | 1       |
| 503 91 51-01 | NEEDLE             |                             | 1       |
| 503 91 54-01 | RETAINER           |                             | 1       |
| 503 91 57-01 | SPRING             |                             | 1       |
| 503 91 58-01 | NEEDLE             |                             | 1       |
| 503 92 23-01 | LIMITER CAP        |                             | 1       |
| 503 99 44-01 | COVER              |                             | 1       |
| 503 99 45-01 | SHAFT ASSY         |                             | 1       |
| 503 99 46-01 | SHAFT ASSY         |                             | 1       |
| 503 99 47-01 | SPRING             |                             | 1       |
| 503 99 48-01 | FITTING            |                             | 1       |
| 504 13 08-07 | DIAPHRAGM PUMP     | 530 03 51-73 SET OF GASKETS | 1       |
| 504 13 09-06 | GASKET             | 530 03 51-73 SET OF GASKETS | 1       |
| 504 21 00-49 | SPRING             |                             | 1       |
| 504 21 00-50 | SPRING             |                             | 1       |
| 505 31 67-17 | SCREW              |                             | 1       |
| 505 31 67-45 | SPRING             |                             | 1       |
| 505 31 67-54 | LOCK STYRMEMBRAN   |                             | 1       |
| 505 31 67-82 | LEVER              |                             | 1       |
| 505 52 01-10 | GASKET             | 530 03 51-73 SET OF GASKETS | 1       |
| 505 52 01-25 | PIN-METERING LEVER |                             | 1       |
| 505 52 01-27 | LEVER              |                             | 1       |
| 506 02 81-01 | VALVE              |                             | 1       |
| 537 05 18-01 | PLUG               |                             | 1       |
| 537 05 27-01 | CARBURETTOR        |                             | 1       |

**G 232L, 232R**

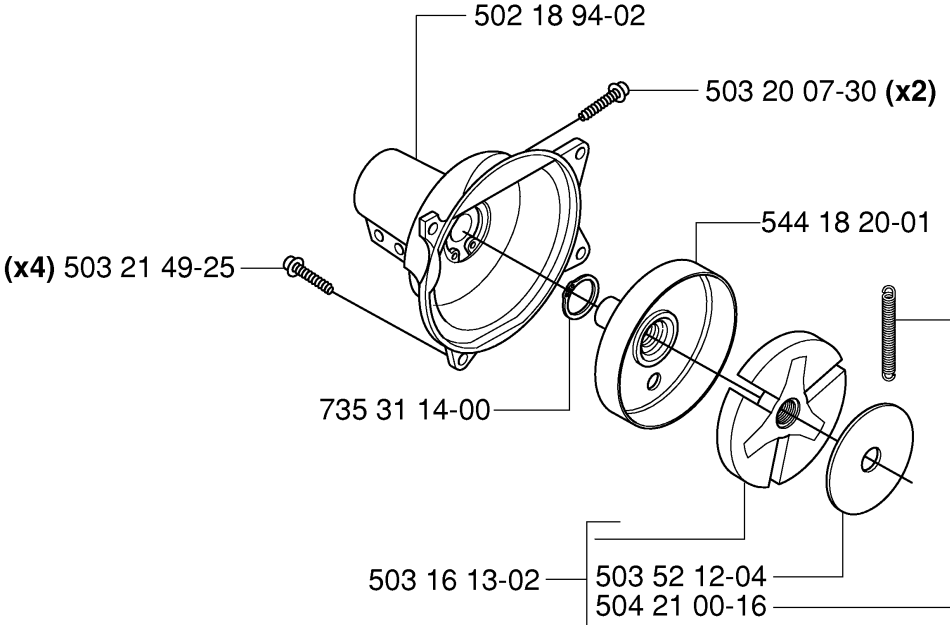


## CLUTCH

235 R, 2006-04

| Part No      | Description       | Remark | QTY KIT |
|--------------|-------------------|--------|---------|
| 502 18 94-03 | CLUTCH COVER ASSY |        | 1       |
| 502 21 57-03 | CLUTCH DRUM ASSY  |        | 1       |
| 503 20 07-30 | SCREW IHSCFM      |        | 2       |
| 503 21 49-25 | SCREW IHSCFT      |        | 4       |
| 503 52 12-04 | WASHER            |        | 1       |
| 503 71 40-01 | CLUTCH ASSY       |        | 1       |
| 503 74 95-01 | CLUTCH SPRING     |        | 2       |

**G 235R, 235RII**

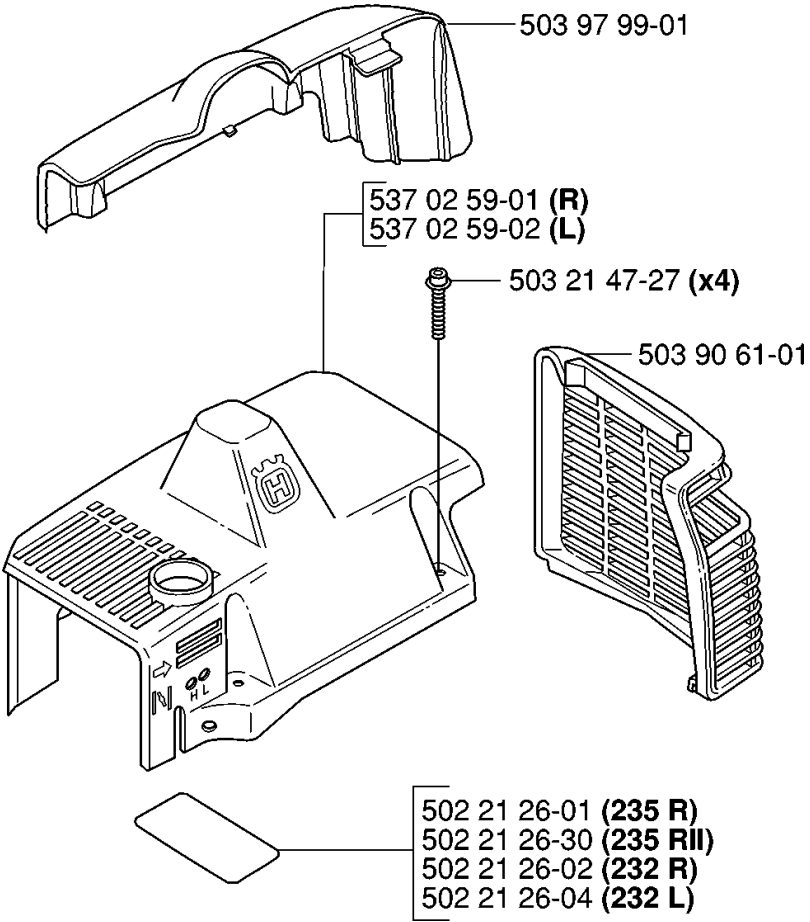


## CLUTCH

235 R, 2006-04

| Part No      | Description       | Remark | QTY KIT |
|--------------|-------------------|--------|---------|
| 502 18 94-02 | CLUTCH COVER ASSY |        | 1       |
| 503 16 13-02 | CLUTCH ASSY       |        | 1       |
| 503 20 07-30 | SCREW IHSCFM      |        | 2       |
| 503 21 49-25 | SCREW IHSCFT      |        | 4       |
| 503 52 12-04 | WASHER            |        | 1       |
| 504 21 00-16 | CLUTCH SPRING     |        | 1       |
| 544 18 20-01 | CLUTCH DRUM ASSY  |        | 1       |
| 735 31 14-00 | CIRCLIP           |        | 1       |

# H



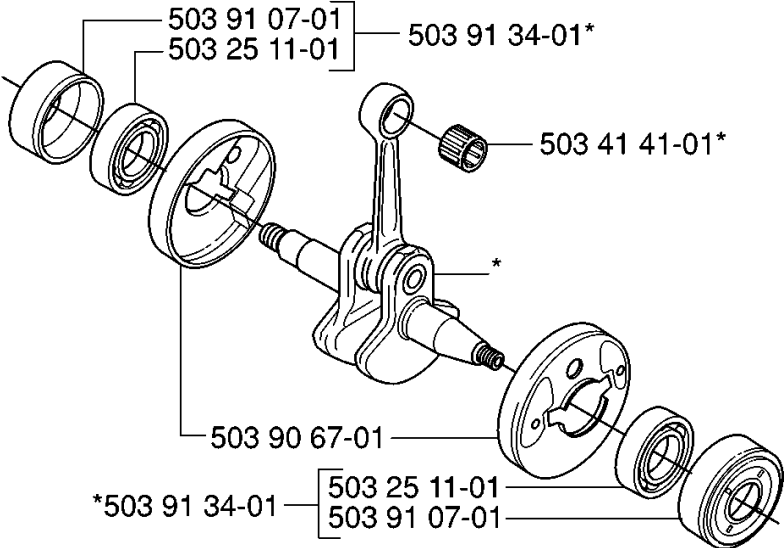


## COVER

235 R, 2006-04

| Part No      | Description    | Remark  | QTY KIT |
|--------------|----------------|---------|---------|
| 502 21 26-01 | DECAL          | 235 R   | 1       |
| 502 21 26-02 | DECAL          | 232 R   | 1       |
| 502 21 26-04 | DECAL          | 232 L   | 1       |
| 502 21 26-30 | DECAL          | 235 RII | 1       |
| 503 21 47-27 | SCREW IHSCFTO  |         | 4       |
| 503 90 61-01 | HEAT PROTECTOR |         | 1       |
| 503 97 99-01 | ARM PROTECTION |         | 1       |
| 537 02 59-01 | CYLINDER COVER | R       | 1       |
| 537 02 59-02 | CYLINDER COVER | L       | 1       |

**Q** \*compl 502 21 28-04

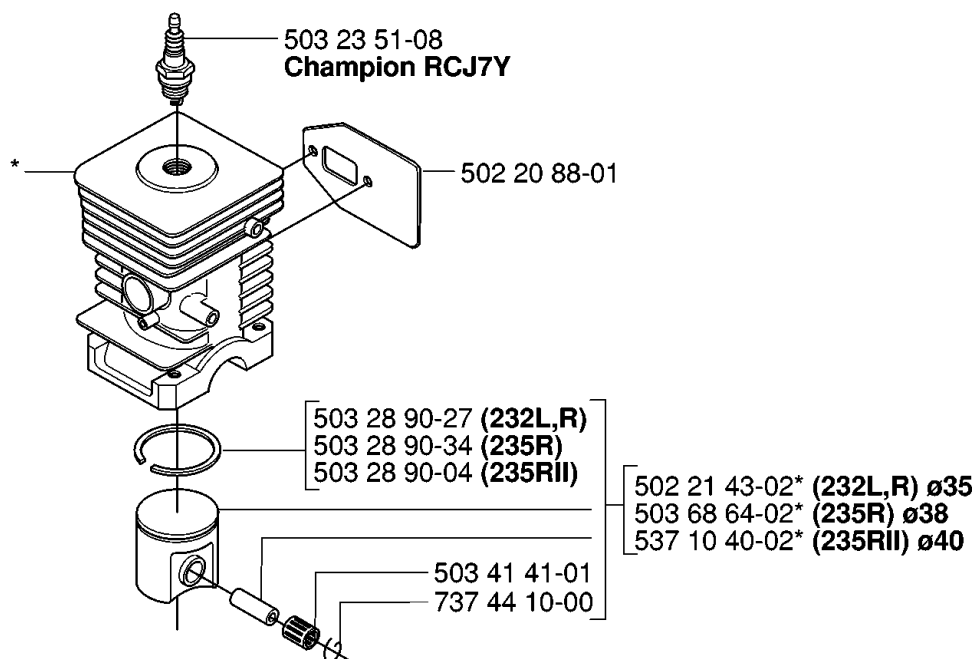


## CRANKSHAFT

235 R, 2006-04

| Part No      | Description     | Remark | QTY KIT |
|--------------|-----------------|--------|---------|
| 502 21 28-04 | CRANKSHAFT ASSY |        | 1       |
| 503 25 11-01 | BALL BEARING    |        | 1       |
| 503 25 11-01 | BALL BEARING    |        | 1       |
| 503 41 41-01 | NEEDLE BEARING  |        | 1       |
| 503 90 67-01 | CUP             |        | 1       |
| 503 91 07-01 | BEARING CAGE    |        | 1       |
| 503 91 07-01 | BEARING CAGE    |        | 1       |
| 503 91 34-01 | BEARING CAGE    |        | 1       |
| 503 91 34-01 | BEARING CAGE    |        | 1       |

**P** \*compl 503 72 80-01 (232L,R)  $\varnothing$ 35  
 \*compl 503 69 46-01 (235R)  $\varnothing$ 38  
 \*compl 537 10 41-01 (235RII)  $\varnothing$ 40

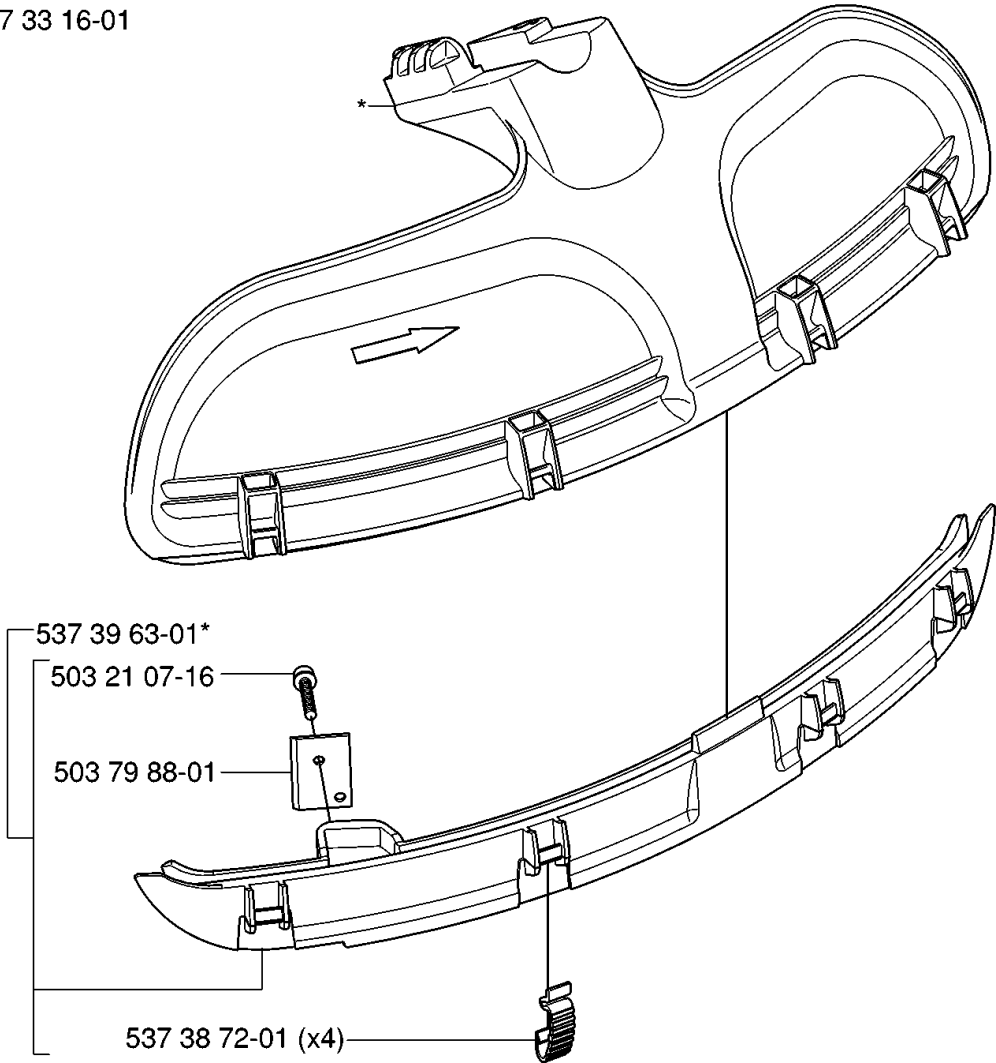


## CYLINDER PISTON

235 R, 2006-04

| Part No      | Description      | Remark         | QTY KIT |
|--------------|------------------|----------------|---------|
| 502 20 88-01 | GASKET MUFFLER   |                | 1       |
| 502 21 43-02 | PISTON ASSY      | 232L,R DIA.35  | 1       |
| 503 23 51-08 | SPARK PLUG       | CHAMPION RCJ7Y | 1       |
| 503 28 90-04 | PISTON RING      | 235RII         | 1       |
| 503 28 90-27 | PISTON RING      | 232L,R         | 1       |
| 503 28 90-34 | PISTON RING      | 235R           | 1       |
| 503 41 41-01 | NEEDLE BEARING   |                | 1       |
| 503 68 64-02 | PISTON ASSY      | 235R DIA.38    | 1       |
| 503 69 46-01 | PISTON           | 235R DIA.38    | 1       |
| 503 72 80-01 | KOLV + CYL R-DEL | 232L,R DIA.35  | 1       |
| 537 10 40-02 | PISTON ASSY      | 235RII DIA.40  | 1       |
| 537 10 41-01 | PISTON           | 235RII DIA.40  | 1       |
| 737 44 10-00 | SNAP RING        |                | 1       |

**U 235R, 235R11**  
\*compl 537 33 16-01

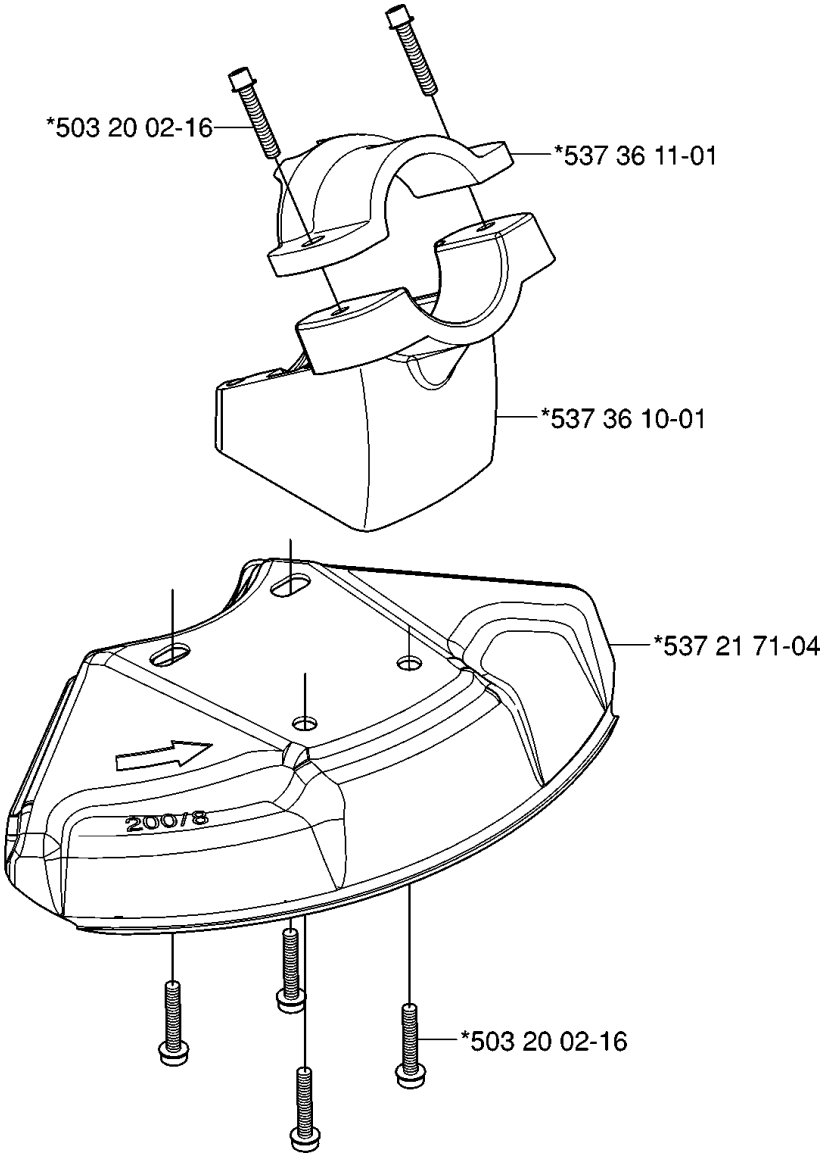


GUARDS

235 R, 2006-04

| Part No      | Description  | Remark | QTY KIT |
|--------------|--------------|--------|---------|
| 503 21 07-16 | SCREW IHSCT  |        | 1       |
| 503 79 88-01 | BLADE        |        | 1       |
| 537 33 16-01 | COMBI GUARD  |        | 1       |
| 537 38 72-01 | SNAP         |        | 4       |
| 537 39 63-01 | SPLASH GUARD |        | 1       |

**U 235R, 235R11**  
\*compl 537 38 77-01



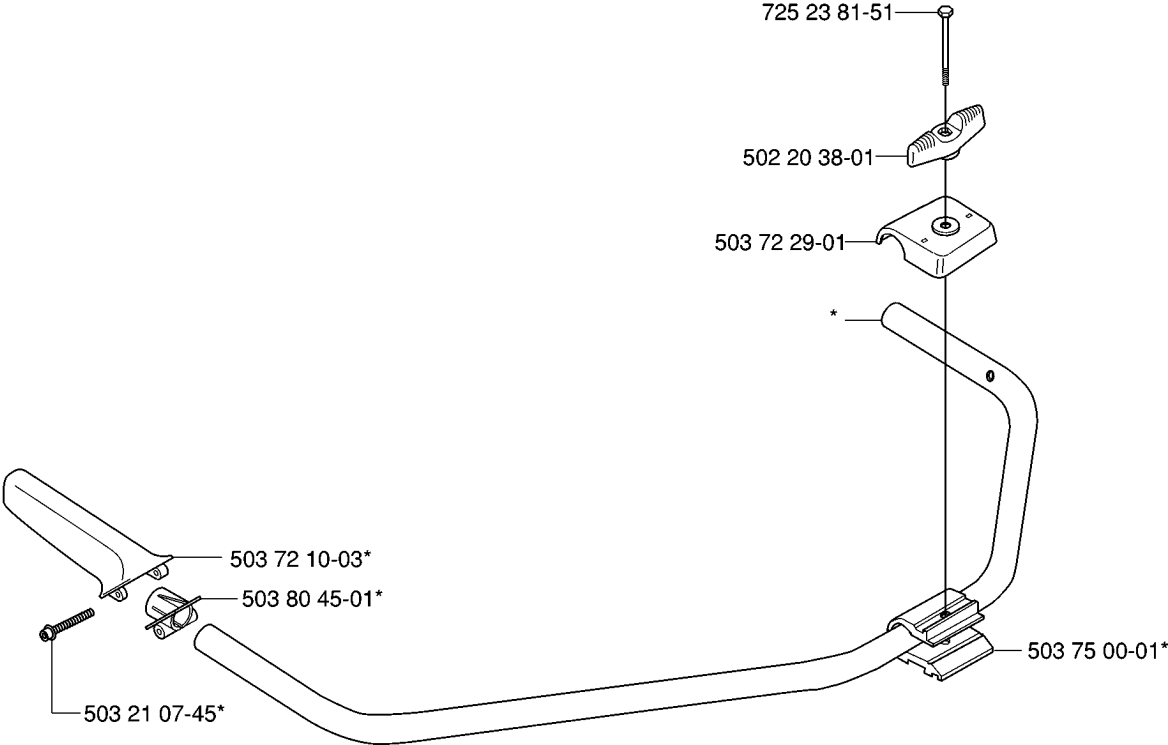


GUARDS

235 R, 2006-04

| Part No      | Description     | Remark | QTY KIT |
|--------------|-----------------|--------|---------|
| 503 20 02-16 | SCREW IHSCFM    |        | 1       |
| 503 20 02-16 | SCREW IHSCFM    |        | 1       |
| 537 21 71-04 | SAW BLADE GUARD |        | 1       |
| 537 36 10-01 | ADAPTER         |        | 1       |
| 537 36 11-01 | CLAMP           |        | 1       |
| 537 38 77-01 | SAW BLADE GUARD |        | 1       |

**C 232R**  
\*compl 503 72 43-03



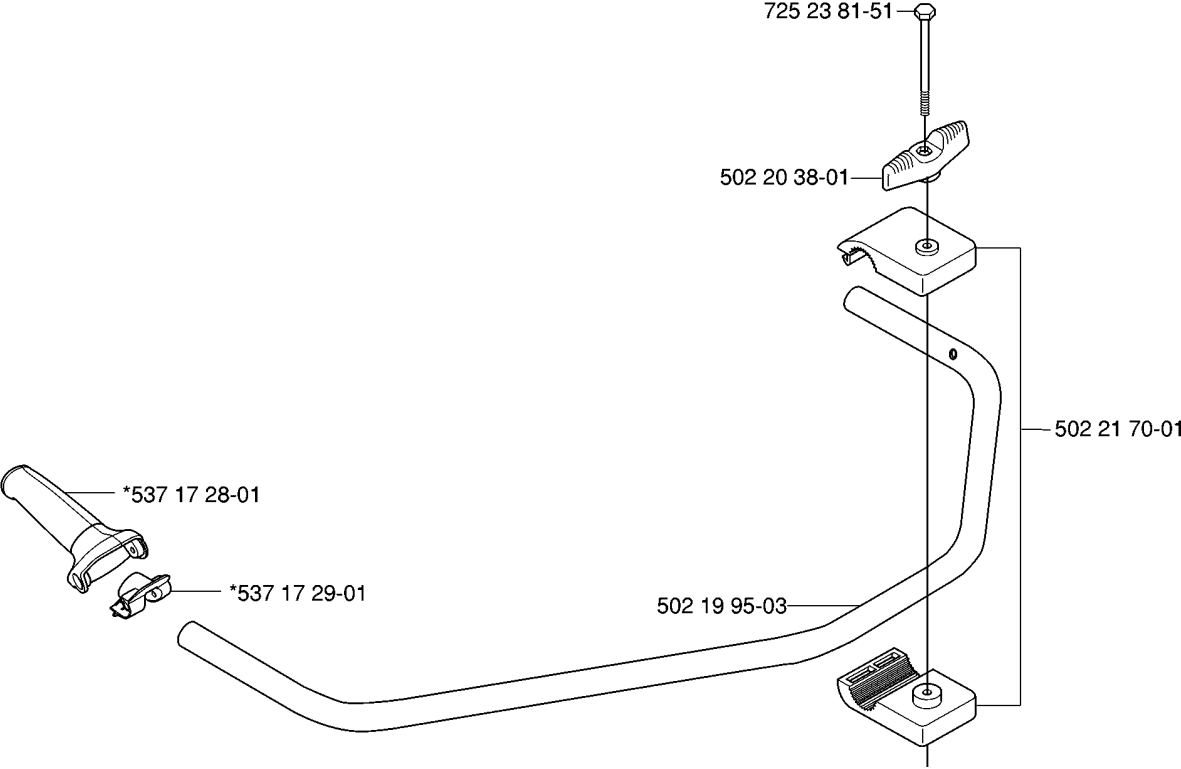
## HANDLE

235 R, 2006-04

| Part No      | Description         | Remark | QTY KIT |
|--------------|---------------------|--------|---------|
| 502 20 38-01 | KNOB                |        | 1       |
| 503 21 07-45 | SCREW IH SCT        |        | 1       |
| 503 72 10-03 | HANDLE              |        | 1       |
| 503 72 29-01 | COVER               |        | 1       |
| 503 72 43-03 | HANDLEBAR PART ASSY |        | 1       |
| 503 75 00-01 | HANDLEBAR BRACKET   |        | 1       |
| 503 80 45-01 | BRACKET             |        | 1       |
| 725 23 81-51 | SCREW EHHM          |        | 1       |

**C 235R, 235RII**

\*compl 503 72 43-11

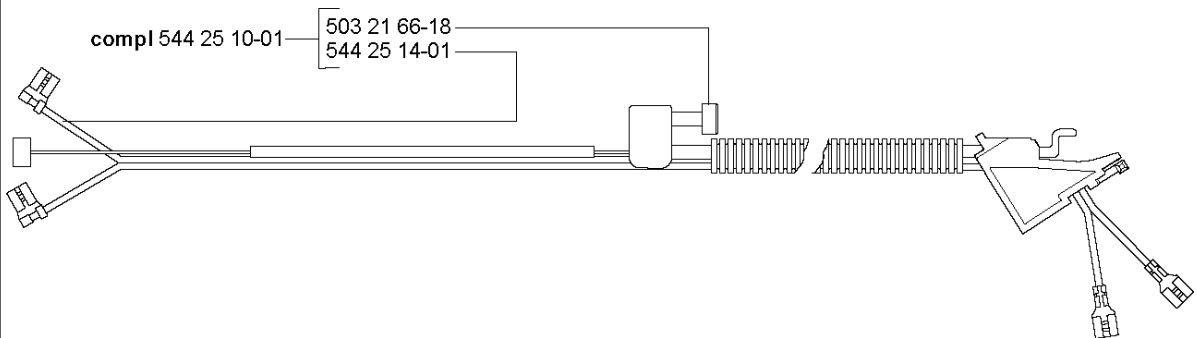
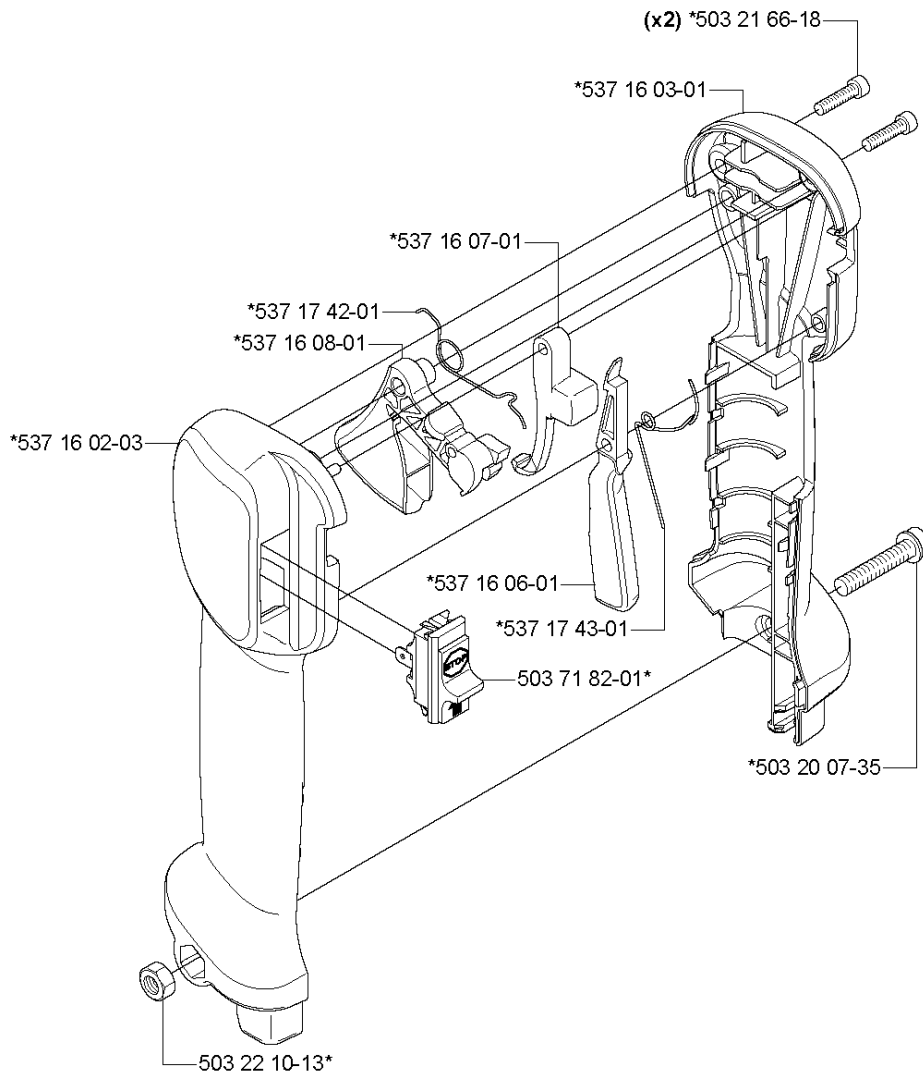


## HANDLE

235 R, 2006-04

| Part No      | Description         | Remark | QTY KIT |
|--------------|---------------------|--------|---------|
| 502 19 95-03 | HANDLEBAR           |        | 1       |
| 502 20 38-01 | KNOB                |        | 1       |
| 502 21 70-01 | HANDLEBAR BRACKET   |        | 1       |
| 503 72 43-11 | HANDLEBAR PART ASSY |        | 1       |
| 537 17 28-01 | HANDLE              |        | 1       |
| 537 17 29-01 | COVER               |        | 1       |
| 725 23 81-51 | SCREW EHHM          |        | 1       |

**D 235R, 235RII**  
\*compl 537 18 35-07

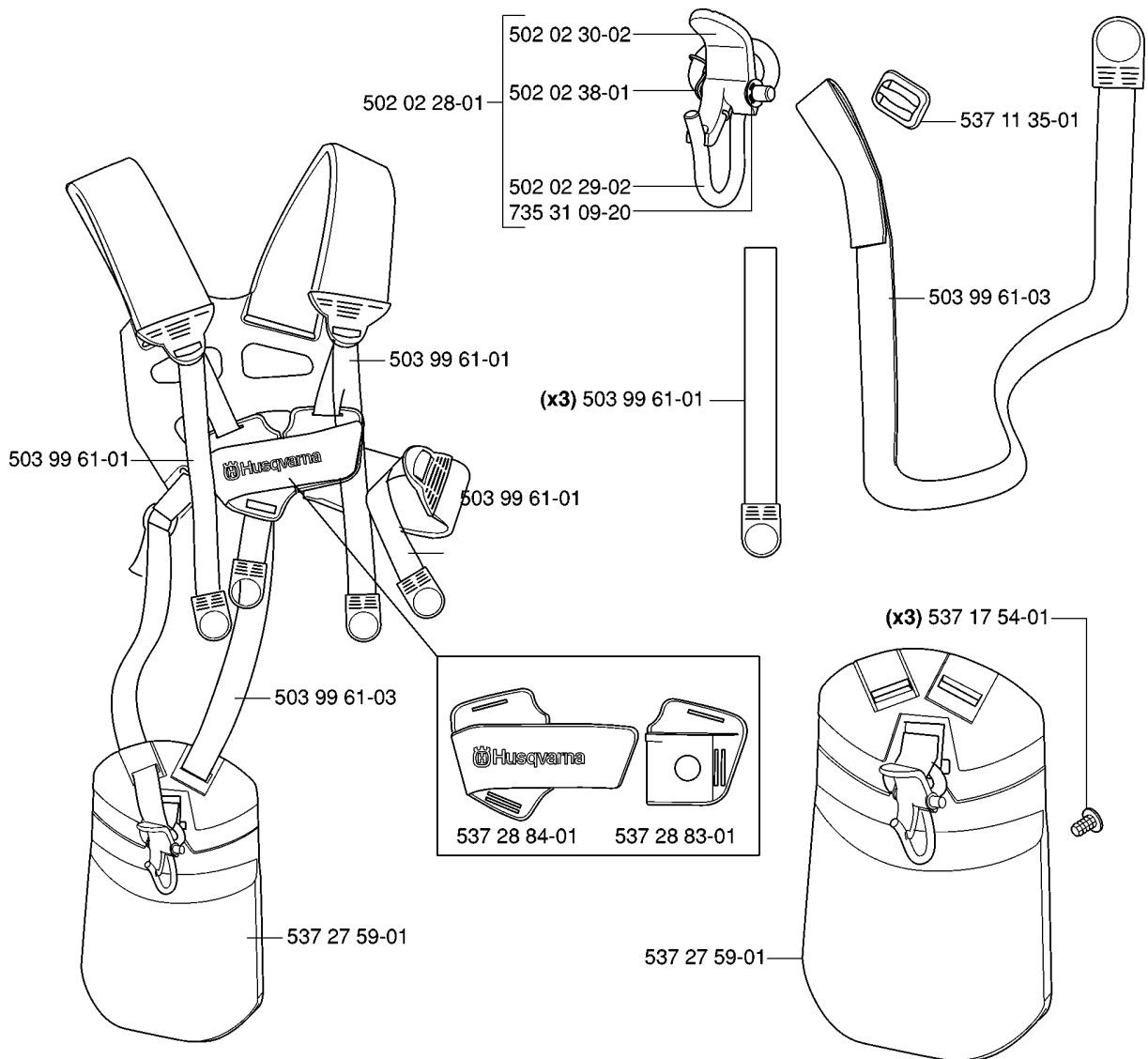


## HANDLE &amp; CONTROLS

235 R, 2006-04

| Part No      | Description          | Remark | QTY KIT |
|--------------|----------------------|--------|---------|
| 503 20 07-35 | SCREW IHSCFM         |        | 1       |
| 503 21 66-18 | SCREW IHSCT          |        | 2       |
| 503 21 66-18 | SCREW IHSCT          |        | 1       |
| 503 22 10-13 | HEXAGON NUT          |        | 1       |
| 503 71 82-01 | SWITCH               |        | 1       |
| 537 16 02-03 | HANDLE HALF          |        | 1       |
| 537 16 03-01 | HANDLE HALF          |        | 1       |
| 537 16 06-01 | THROTTLE LOCKOUT     |        | 1       |
| 537 16 07-01 | STARTER THROTTLE LOC |        | 1       |
| 537 16 08-01 | THROTTLE TRIGGER     |        | 1       |
| 537 17 42-01 | SPRING THROTTLE TRIG |        | 1       |
| 537 17 43-01 | SPRING               |        | 1       |
| 537 18 35-07 | HANDLE SYSTEM        |        | 1       |
| 544 25 10-01 | WIRING ASSY          |        | 1       |
| 544 25 14-01 | SHORT CIRCUIT CABLE  |        | 1       |

**S Duo Balance**  
compl 537 27 57-01  
compl 537 27 57-03 US





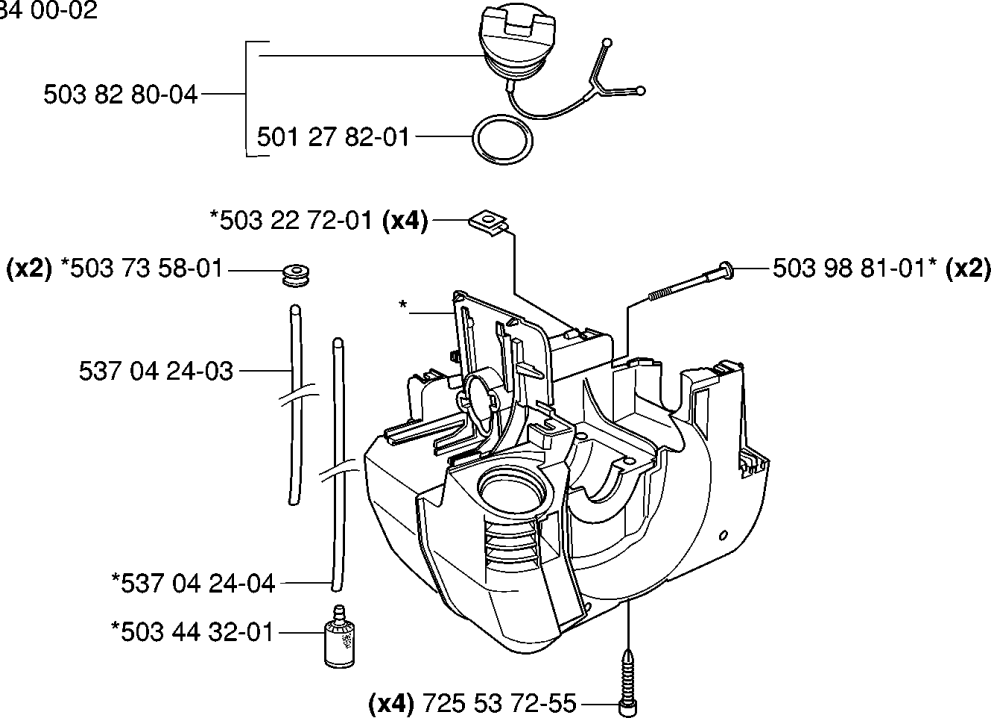
## HARNESS

235 R, 2006-04

| Part No      | Description | Remark | QTY KIT |
|--------------|-------------|--------|---------|
| 502 02 28-01 | HARNESS     |        | 1       |
| 502 02 29-02 | HARNESS     |        | 1       |
| 502 02 30-02 | HARNESS     |        | 1       |
| 502 02 38-01 | HARNESS     |        | 1       |
| 503 99 61-01 | HARNESS     |        | 1       |
| 503 99 61-01 | HARNESS     |        | 1       |
| 503 99 61-01 | HARNESS     |        | 1       |
| 503 99 61-01 | HARNESS     |        | 3       |
| 503 99 61-03 | BAND        |        | 1       |
| 503 99 61-03 | BAND        |        | 1       |
| 537 11 35-01 | RETAINER    |        | 1       |
| 537 17 54-01 | HARNESS     |        | 3       |
| 537 27 57-01 | HARNESS     |        | 1       |
| 537 27 57-03 | HARNESS     | US     | 1       |
| 537 27 59-01 | HIP PAD     |        | 1       |
| 537 27 59-01 | HIP PAD     |        | 1       |
| 537 28 83-01 | FRONT PIECE |        | 1       |
| 537 28 84-01 | FRONT PIECE |        | 1       |
| 735 31 09-20 | HARNESS     |        | 1       |

**L**

**\*compl 503 84 00-02**

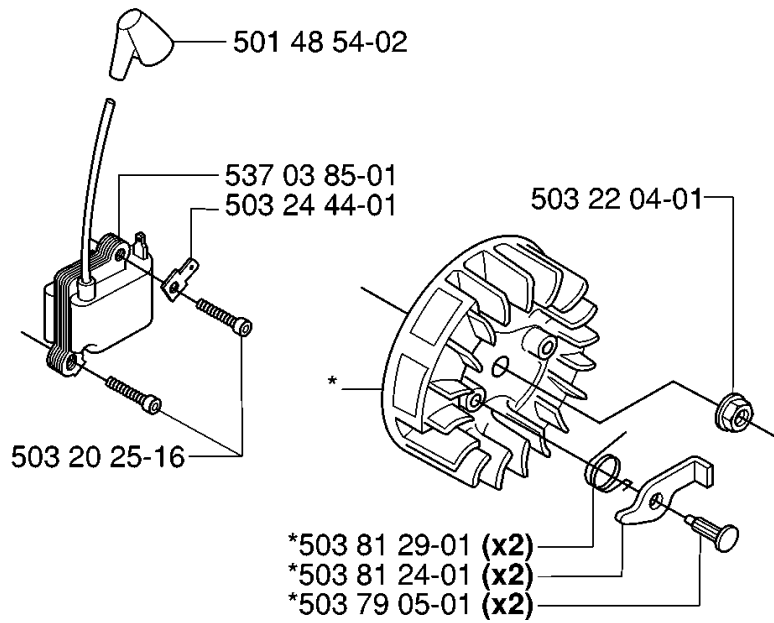


## HOUSING

235 R, 2006-04

| Part No      | Description   | Remark | QTY KIT |
|--------------|---------------|--------|---------|
| 501 27 82-01 | GASKET        |        | 1       |
| 503 22 72-01 | SPEED NUT     |        | 4       |
| 503 44 32-01 | FILTER        |        | 1       |
| 503 73 58-01 | BUSHING       |        | 2       |
| 503 82 80-04 | TANK CAP ASSY |        | 1       |
| 503 84 00-02 | CRANKCASE     |        | 1       |
| 503 98 81-01 | SCREW         |        | 2       |
| 537 04 24-03 | FUEL HOSE     |        | 1       |
| 537 04 24-04 | FUEL HOSE     |        | 1       |
| 725 53 72-55 | SCREW IHSCM   |        | 4       |

**N** \*compl 503 79 06-01

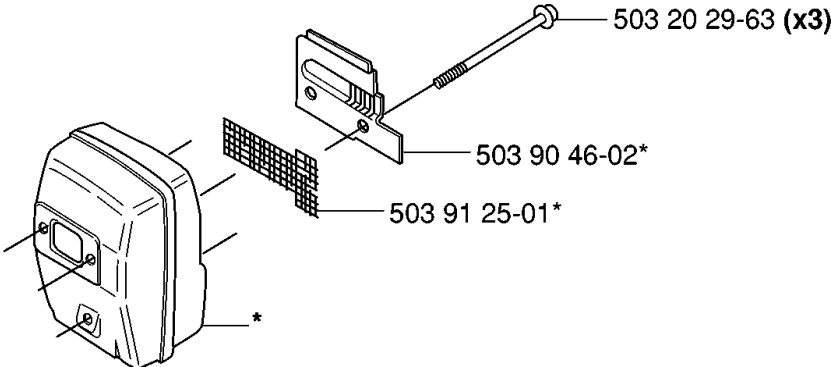


## IGNITION SYSTEM

235 R, 2006-04

| Part No      | Description    | Remark | QTY KIT |
|--------------|----------------|--------|---------|
| 501 48 54-02 | SPARK PLUG CAP |        | 1       |
| 503 20 25-16 | SCREW IHSCM    |        | 1       |
| 503 22 04-01 | NUT            |        | 1       |
| 503 24 44-01 | FLAT PIN       |        | 1       |
| 503 79 05-01 | RIVET          |        | 2       |
| 503 79 06-01 | FLYWHEEL       |        | 1       |
| 503 81 24-01 | STARTER PAWL   |        | 2       |
| 503 81 29-01 | SPRING         |        | 2       |
| 537 03 85-01 | MODULE         |        | 1       |

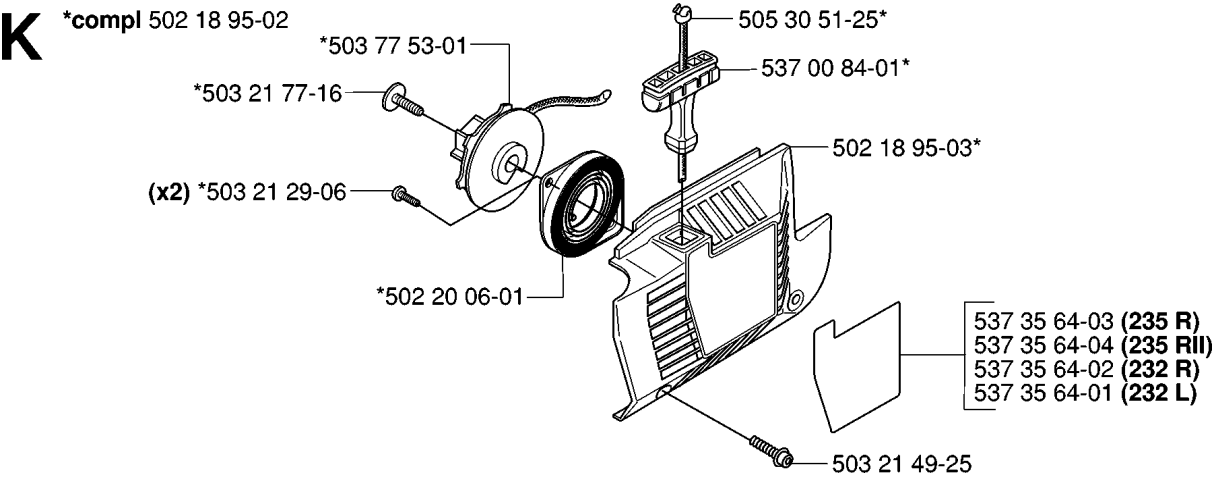
**J** \*compl 503 90 47-02



## MUFFLER

235 R, 2006-04

| Part No      | Description           | Remark | QTY KIT |
|--------------|-----------------------|--------|---------|
| 503 20 29-63 | SCREW IHSCFM          |        | 3       |
| 503 90 46-02 | EXHAUST DUCT          |        | 1       |
| 503 90 47-02 | MUFFLER ASSY          |        | 1       |
| 503 91 25-01 | SPARK ARRESTER SCREEN |        | 1       |



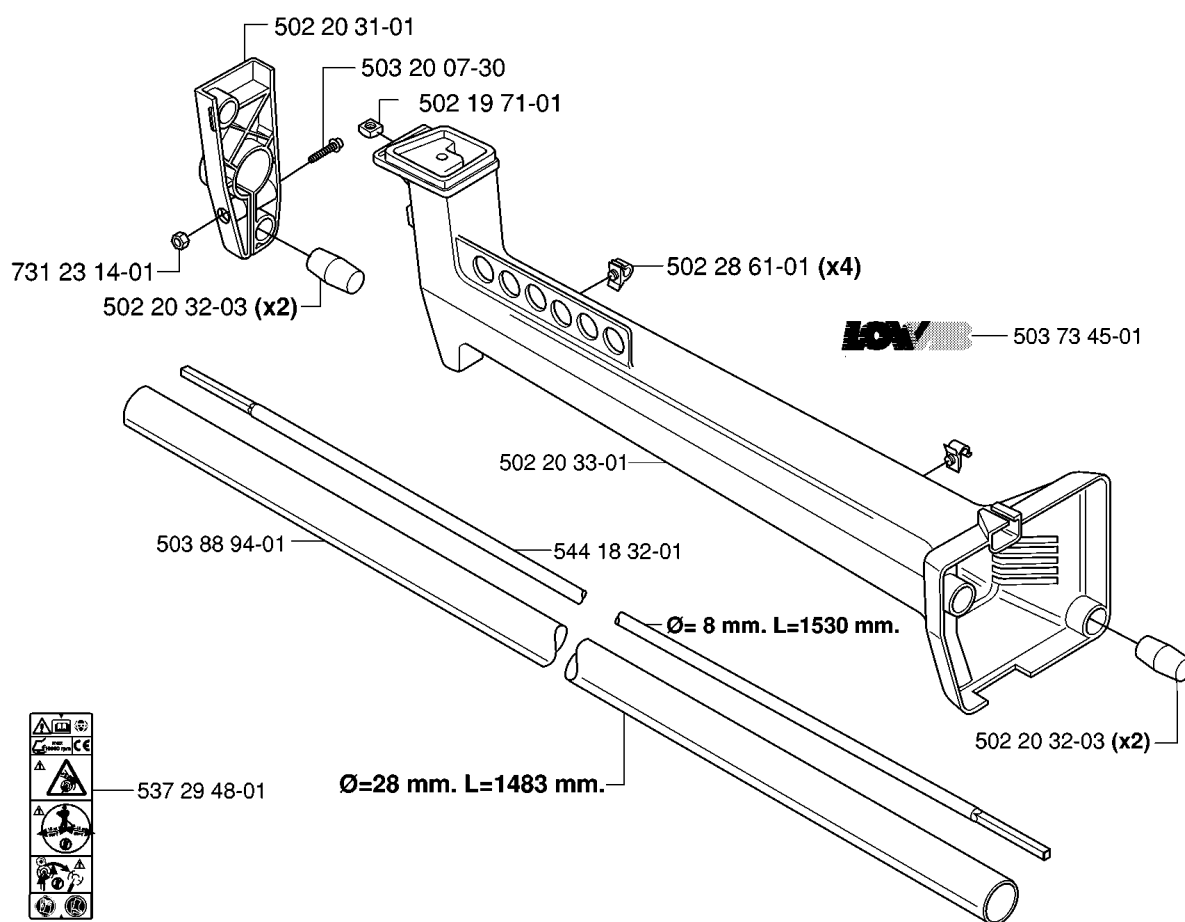


## STARTER

235 R, 2006-04

| Part No      | Description          | Remark  | QTY KIT |
|--------------|----------------------|---------|---------|
| 502 18 95-02 | STARTER              |         | 1       |
| 502 18 95-03 | STARTER              |         | 1       |
| 502 20 06-01 | SPRING CASSETTE ASSY |         | 1       |
| 503 21 29-06 | SCREW CCRPANT        |         | 2       |
| 503 21 49-25 | SCREW IHSCFT         |         | 1       |
| 503 21 77-16 | SCREW IHSCFT         |         | 1       |
| 503 77 53-01 | STARTER PULLEY       |         | 1       |
| 505 30 51-25 | STARTER CORD         |         | 1       |
| 537 00 84-01 | STARTER HANDLE       |         | 1       |
| 537 35 64-01 | LABEL                | 232 L   | 1       |
| 537 35 64-02 | LABEL                | 232 R   | 1       |
| 537 35 64-03 | LABEL                | 235 R   | 1       |
| 537 35 64-04 | LABEL                | 235 RII | 1       |

# B 235R, 235RII

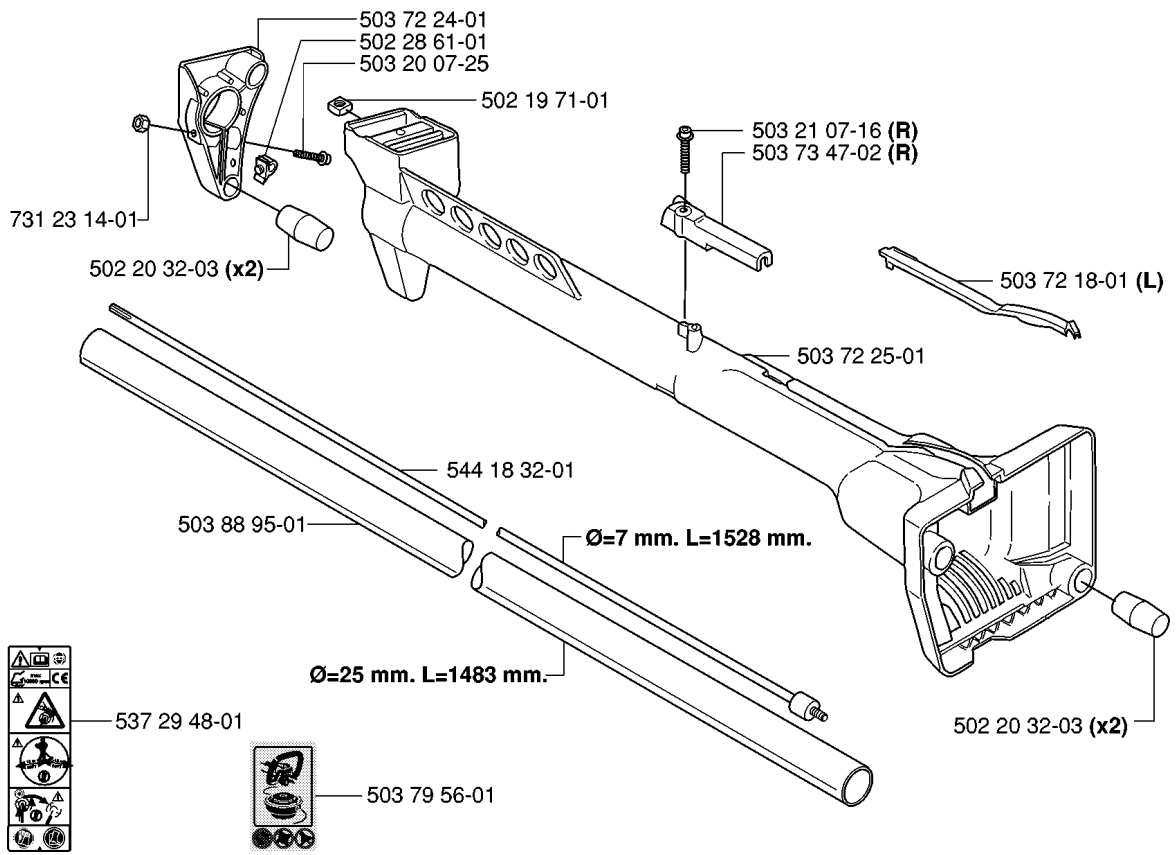


## TOWER

235 R, 2006-04

| Part No      | Description           | Remark | QTY KIT |
|--------------|-----------------------|--------|---------|
| 502 19 71-01 | SQUARE NUT            |        | 1       |
| 502 20 31-01 | HOLDER ANTIVIBRATION  |        | 1       |
| 502 20 32-03 | ANTIVIBRATION ELEMENT |        | 2       |
| 502 20 32-03 | ANTIVIBRATION ELEMENT |        | 2       |
| 502 20 33-01 | SUSPENSION            |        | 1       |
| 502 28 61-01 | CLIP                  |        | 4       |
| 503 20 07-30 | SCREW IHSCFM          |        | 1       |
| 503 73 45-01 | LABEL                 |        | 1       |
| 503 88 94-01 | TUBE                  |        | 1       |
| 537 29 48-01 | LABEL                 |        | 1       |
| 544 18 32-01 | DRIVE SHAFT           |        | 1       |
| 731 23 14-01 | HEXAGON NUT           |        | 1       |

# B 232L, 232R



## TOWER

235 R, 2006-04

| Part No      | Description           | Remark | QTY KIT |
|--------------|-----------------------|--------|---------|
| 502 19 71-01 | SQUARE NUT            |        | 1       |
| 502 20 32-03 | ANTIVIBRATION ELEMENT |        | 2       |
| 502 20 32-03 | ANTIVIBRATION ELEMENT |        | 2       |
| 502 28 61-01 | CLIP                  |        | 1       |
| 503 20 07-25 | SCREW IHSCFM          |        | 1       |
| 503 21 07-16 | SCREW IHSCCT          | R      | 1       |
| 503 72 18-01 | COVER                 | L      | 1       |
| 503 72 24-01 | HOLDER ANTIVIBRATION  |        | 1       |
| 503 72 25-01 | SUSPENSION            |        | 1       |
| 503 73 47-02 | LOCK KABLAGE STYRE    | R      | 1       |
| 503 79 56-01 | LABEL                 |        | 1       |
| 503 88 95-01 | TUBE                  |        | 1       |
| 537 29 48-01 | LABEL                 |        | 1       |
| 544 18 32-01 | DRIVE SHAFT           |        | 1       |
| 731 23 14-01 | HEXAGON NUT           |        | 1       |