

YTH150 XP

Spare parts

Ersatzteile

Pièces détachées

Reserve onderdelen

Repuestos

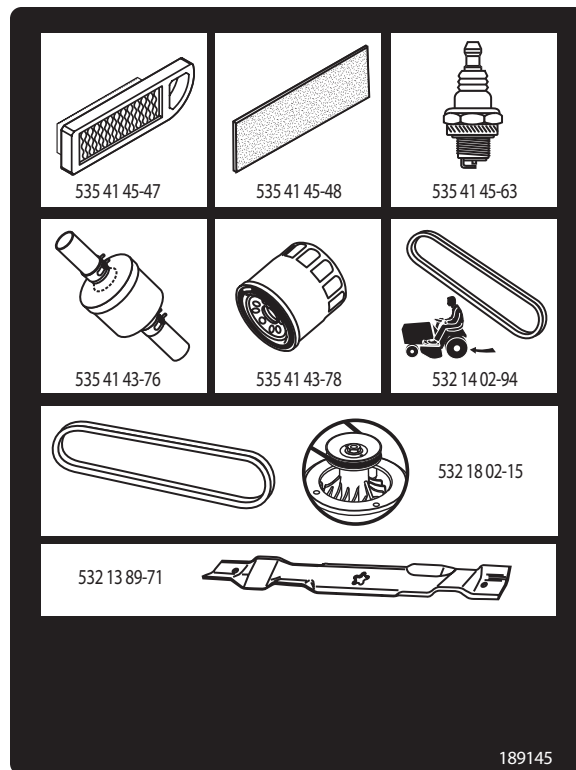
Reservdelar

ILLUSTRATED PARTS LIST

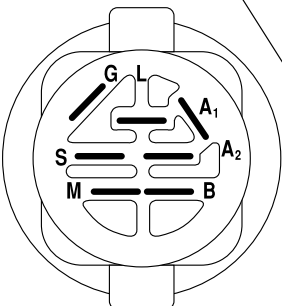
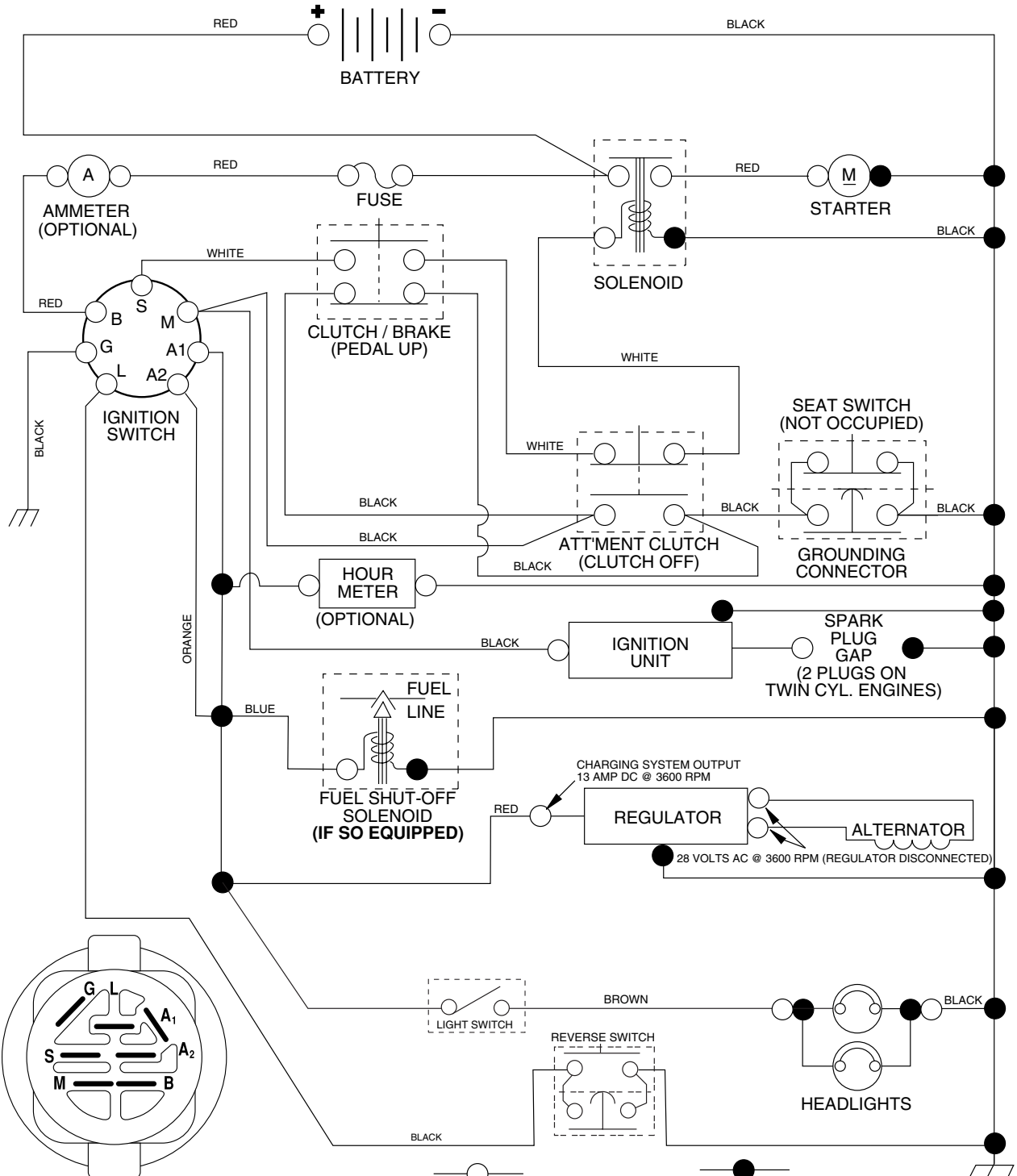
MFG. ID NO. 96011011500

CUSTOMER CATALOG NO. YTH150XP

PRODUCT NO. 960 11 01-15



TRACTOR - MODEL NO. YTH150XP (96011011500), PRODUCT NO. 960 11 01-15 SCHEMATIC



IGNITION SWITCH

POSITION	CIRCUIT	"MAKE"
OFF	M+G+A1	
RUN/OVERRIDE	B+A1	
RUN	B+A1	L+A2
START	B + S + A1	

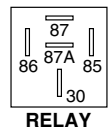
3112

REMOVABLE CONNECTIONS

NON-REMOVABLE CONNECTIONS

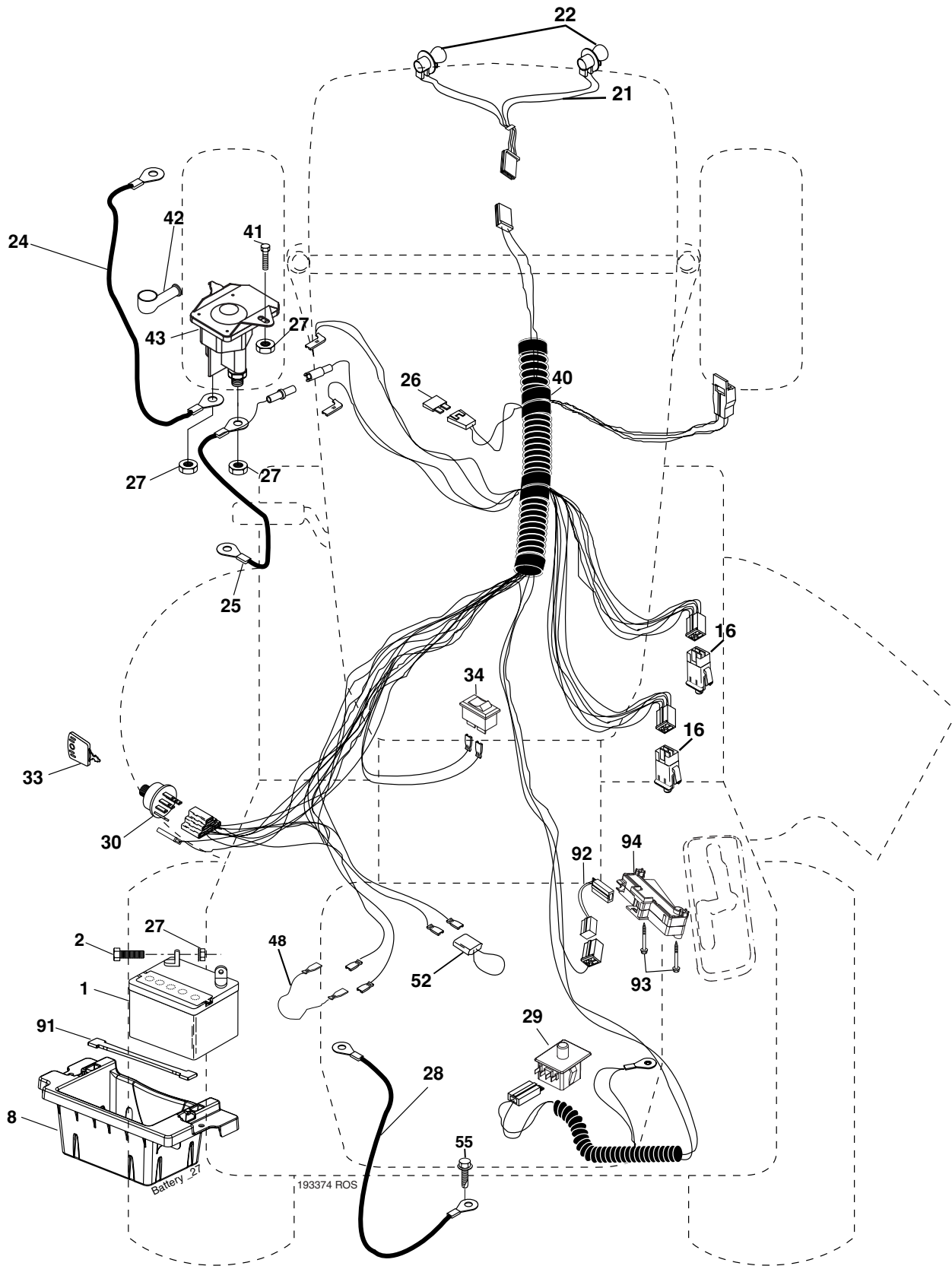
WIRING INSULATED CLIPS

NOTE: IF WIRING INSULATED CLIPS WERE REMOVED FOR SERVICING OF UNIT, THEY SHOULD BE REPLACED TO PROPERLY SECURE YOUR WIRING.



REPAIR PARTS

TRACTOR - MODEL NO. YTH150XP (96011011500), PRODUCT NO. 960 11 01-15
ELECTRICAL



REPAIR PARTS

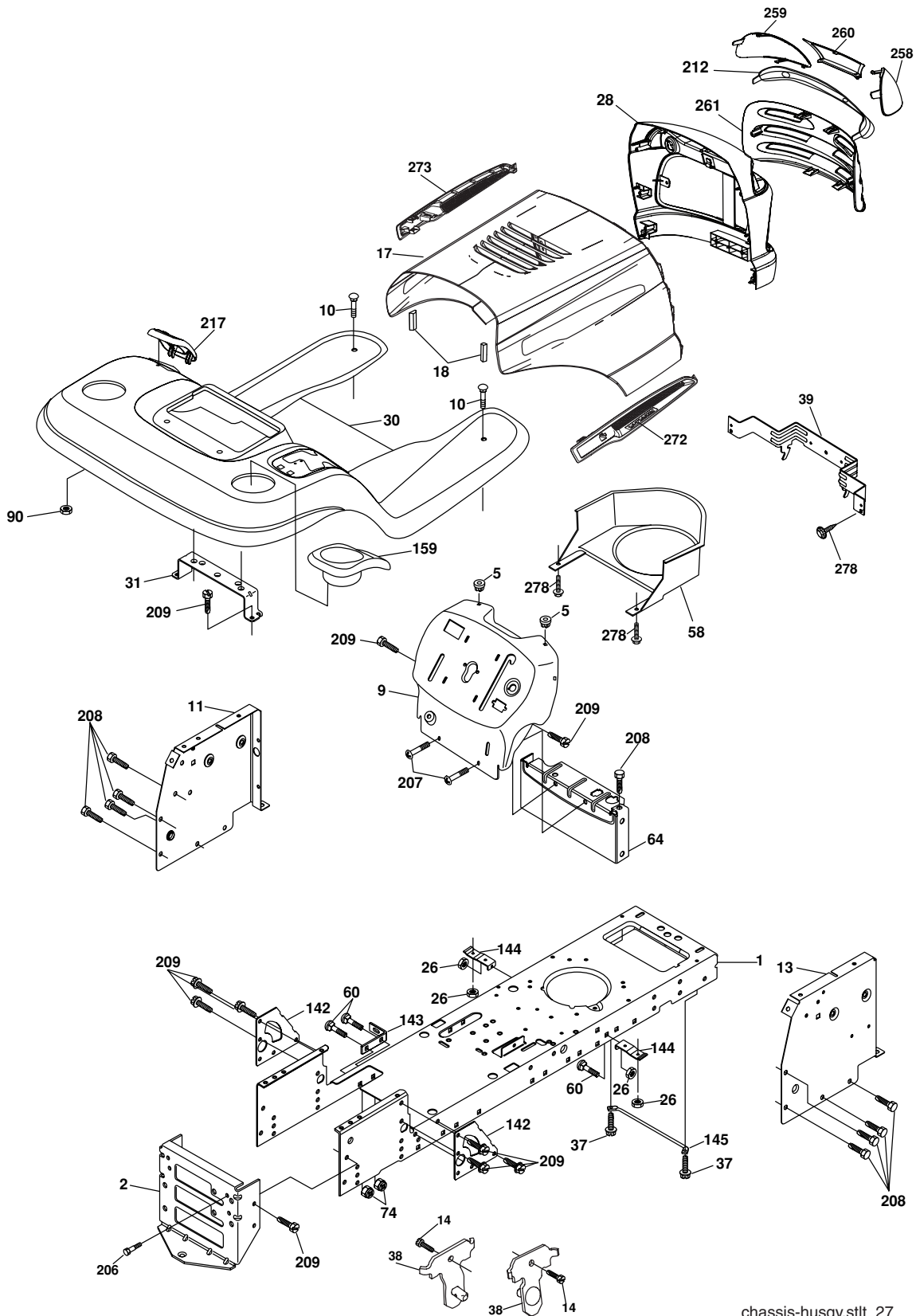
TRACTOR - MODEL NO. YTH150XP (96011011500), PRODUCT NO. 960 11 01-15
ELECTRICAL

KEY NO.	PART NO.	DESCRIPTION
1	532 14 49-27	Battery
2	874 76 04-12	Bolt Hex Hd 1/4-20 unc x 3/4
8	532 18 64-91	Box Battery
16	532 17 61-38	Switch Interlock Push-In
21	532 17 56-88	Harness Asm Light W/4152j
22	532 00 41-52	Bulb Light #1156
24	532 12 47-80	Cable Battery 6 Ga. 11" red
25	532 14 61-48	Cable Battery 6 Ga. 22" red w/16 wire
26	532 17 51-58	Fuse 20 AMP
27	873 51 04-00	Nut Keps Hex 1/4-20 unc
28	532 14 54-91	Cable Ground black
29	532 19 27-49	Switch Seat
30	532 19 33-50	Switch Ign
33	532 14 04-01	Key Ign Molded Generic
34	532 11 07-12	Switch Light
40	532 19 33-70	Harness Ign.
41	871 11 04-08	Bolt Blk Fin Hex 1/4 - 20 x 1/2
42	532 13 15-63	Cover Terminal Red
43	532 19 25-07	Solenoid
48	532 14 08-44	Adapter Ammeter Rectangular
52	532 14 19-40	Protection Wire Loop
55	817 49 05-08	Screw 5/16-18 x 1/2
90	532 18 04-49	Cover Terminal Battery
91	532 19 02-70	Strap Battery Mount Front
92	532 19 34-65	Harness Pigtail
93	532 19 25-40	Screw Plastite 10-24 x 2.0
94	532 19 18-34	Module Reverse

NOTE: All component dimensions given in U.S. inches.
1 inch = 25.4 mm.

REPAIR PARTS

TRACTOR - MODEL NO. YTH150XP (96011011500), PRODUCT NO. 960 11 01-15
CHASSIS AND ENCLOSURES



chassis-husqy.stlt_27

REPAIR PARTS

TRACTOR - MODEL NO. YTH150XP (96011011500), PRODUCT NO. 960 11 01-15 CHASSIS AND ENCLOSURES

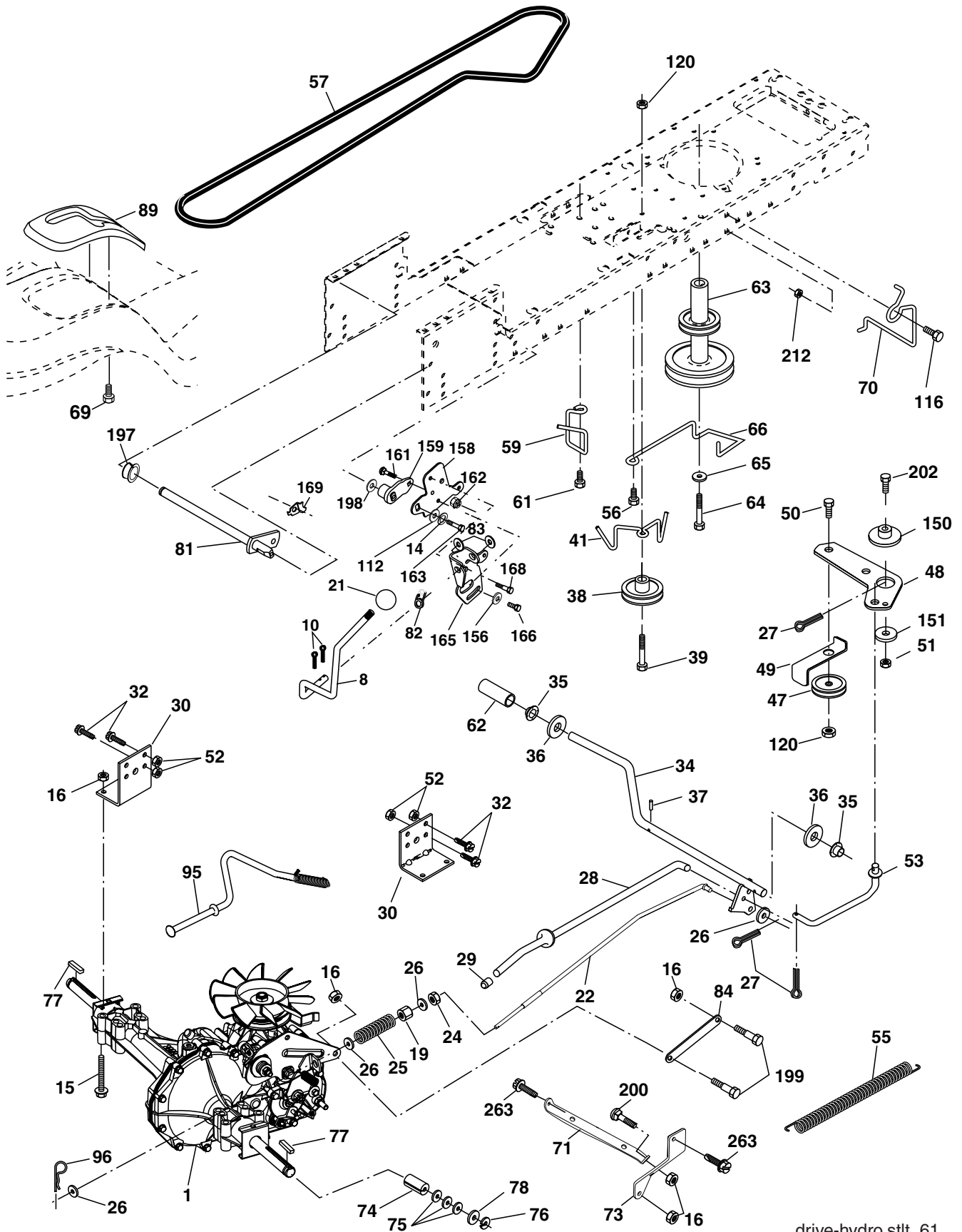
KEY NO.	PART NO.	DESCRIPTION
1	532 17 46-19	Chassis Stamping
2	532 17 65-54	Drawbar
5	532 15 52-72	Bumper Hood/Dash
9	532 19 39-37	Dash
10	872 14 06-08	Bolt Carriage 3/8-16 x 1
11	532 17 49-96	Panel Dash Lh
13	532 17 21-06	Panel Dash Rh
14	817 49 06-08	Screw Thdrol 3/8-16 x 1/2
17	532 18 88-93	Hood
18	532 18 49-21	Bumper Hood
26	873 80 06-00	Nut Lock Hex W/Ins 3/8-16 unc
28	532 18 35-38	Grille/Lens Asm. (Includes Key Nos. 212 and 258 thru 261)
30	532 19 48-06	Fender Footrest STLT Pnt
31	532 13 99-76	Bracket Support Fender
37	817 49 05-08	Screw Thdrol 5/16-18 x 1/2 TYT
38	532 17 57-10	Bracket Asm Pivot Mower Rear
39	532 17 47-14	Bracket Pivot
58	532 18 42-70	Air Duct Engine
60	872 14 06-06	Bolt Rdhd Sqnk 3/8-16 unc x 3/4
64	532 15 47-98	Dash Lower STLT
74	873 68 06-00	Nut Crownlock 3/8-16 unc
90	532 12 43-46	Nut Self-thd Wsh-Hd 1/4
142	532 17 57-02	Plate Reinforcement STLT
143	532 18 66-89	Bracket Swaybar Chassis
144	532 17 55-82	Bracket Pnt Footrest STLT
145	532 15 65-24	Rod Pivot Chassis/Hood
159	532 19 24-04	Cupholder
206	532 17 01-65	Bolt Shoulder 5/16-18 TT
207	817 67 05-08	Screw Thdrol 5/16-18 x 1/2 TYTT
208	817 67 06-08	Screw Thdrol 3/8-16 x 1/2 TYT BI
209	817 00 06-12	Screw 3/8-16 x 3/4
212	532 18 35-48	Insert Lens Reflect
217	532 18 54-36	Console Fuel Window
258	532 18 52-14	Lens RH
259	532 18 52-13	Lens LH
260	532 18 52-16	Cover Lens
261	532 18 52-12	Insert Grille
272	532 18 88-96	Vent Hood RH
273	532 18 88-95	Vent Hood LH
278	532 19 16-11	Screw 10 x 3/4 Single Lead-Hex

NOTE: All component dimensions given in U.S. inches
1 inch = 25.4 mm

REPAIR PARTS

TRACTOR - MODEL NO. YTH150XP (96011011500), PRODUCT NO. 960 11 01-15

DRIVE



drive-hydro.stlt_61

REPAIR PARTS

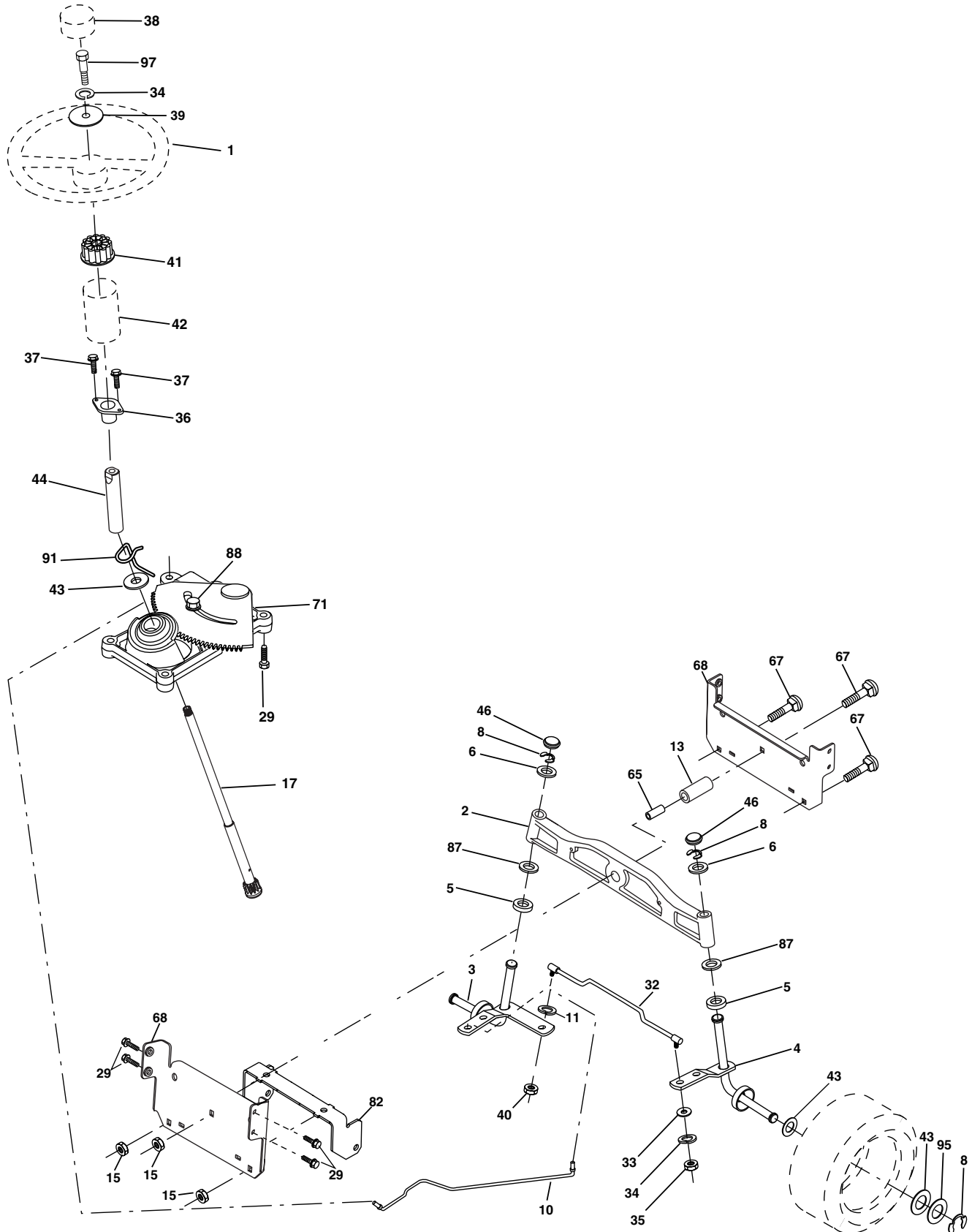
TRACTOR - MODEL NO. YTH150XP (96011011500), PRODUCT NO. 960 11 01-15 DRIVE

KEY NO.	PART NO.	DESCRIPTION	KEY NO.	PART NO.	DESCRIPTION
1	-----	Transaxle Hydro Gr 314-0510 (Order parts from transaxle manufacturer)	69	532 14 24-32	Screw Hex wsh Hi-Lo 1/4-1/2 unc
8	532 19 25-02	Rod Shift	70	532 18 02-18	Guide Belt Mower Drive RH
10	876 02 04-16	Pin Cotter 1/8 x 1 CAD	71	532 16 91-83	Strap Torque Lh Hydro
14	810 04 04-00	Washer Lock Hvy Helical 1/4	73	532 16 91-82	Strap Torque Rh Hydro
15	874 49 05-44	Bolt Hex Flg Hd 5/16-18 x Gr. 5	74	532 13 70-57	Spacer, Axle
16	873 80 05-00	Nut Lock Hex W/Ins. 5/16-18 unc P	75	532 12 17-49	Washer 25/32 x 1-1/4 x 16 Ga.
19	873 80 06-00	Nut Lock Hex W/Wsh 3/8-16 unc	76	812 00 00-01	E-Ring
21	532 12 12-74	Knob	77	532 12 35-83	Key, Square
22	532 16 94-98	Rod, Brake	78	532 12 17-48	Washer 25/32 x 1-5/8 x 16 Ga.
24	873 35 06-00	Nut	81	532 16 55-96	Shaft Asm. Cross Hydro
25	532 10 68-88	Spring, Brake Rod	82	532 16 57-11	Spring Torsion T/A
26	819 13 13-16	Washer	83	819 17 12-16	Washer 17/32 x 3/4 x 16 Ga.
27	876 02 04-12	Pin Cotter 1/8 x 3/4 CAD.	84	532 16 95-94	Link Transaxle
28	532 17 57-65	Rod, Parking Brake	89	532 19 48-10	Console, Shift
29	532 07 16-73	Cap, Parking Brake	95	532 17 02-01	Control Asm Bypass Hydro
30	532 16 95-92	Bracket, Transaxle	96	532 12 47-88	Retainer Spring 1" Zinc/Cad
32	874 76 05-12	Bolt Hex Hd 5/16-18 unc x 3/4	112	819 09 12-10	Washer 9/32 x 3/4 x 10 Ga.
34	532 17 55-78	Shaft, Foot Pedal	116	872 14 06-08	Bolt 3/8-16 unc x 1
35	532 12 01-83	Bearing, Nylon	120	873 90 06-00	Nut Lock 3/8-16 unc
36	819 21 16-16	Washer	150	532 17 54-56	Spacer Retainer
37	532 12 49-63	Pin, Roll	151	819 13 32-10	Washer 13/32 x 2 x 10 Ga.
38	532 17 91-14	Pulley, Idler, Composite	156	532 16 60-02	Washer Srrtd 5/16 ID x 1.0 x .125
39	872 11 06-22	Bolt Fin Hex 3/8-16 unc x 2-3/4	158	532 16 55-89	Bracket Shift Mount
41	532 17 55-56	Keeper, Belt Idler	159	532 18 39-00	Hub Shift
47	532 12 77-83	Pulley, Idler, V-Groove	161	872 14 04-06	Bolt Rdhd Sqnk 1/4-20 x 3/4 Gr. 5
48	532 15 44-07	Bellcrank Clutch Grnd Drv Stl	162	873 68 04-00	Nut Crownlock 1/4-20 unc
49	532 12 32-05	Retainer, Belt	163	874 78 04-16	Bolt Hex Fin 1/4-20 unc x 1 Gr. 5
50	872 11 06-12	Bolt Carr. 3/8-16 x 1-1/2 Gr. 5	165	532 16 56-23	Bracket Pivot Lever
51	873 68 06-00	Nut Crownlock 3/8-16	166	817 49 05-10	Screw 5/16-18 x 5/8 TT Yellow
52	873 68 05-00	Nut Crownlock 5/16-18	168	532 16 54-92	Bolt Shoulder 5/16-18 x .561 TT
53	532 19 96-52	Link, Clutch	169	532 16 55-80	Plate Fastening Cross Shf. STLT/CRD
55	532 10 57-09	Spring, Return, Clutch	197	532 16 96-13	Nyliner Snap-In 5/8" ID
56	817 06 06-20	Screw 3/8-16 x 1-1/4 SMGML Tap/R	198	532 16 95-93	Washer Nyl 7/8 ID x .105 HYD CRD
57	532 14 02-94	V-Belt, Ground Drive	199	532 16 96-12	Bolt Shoulder 5/16-18 unc
59	532 16 96-91	Keeper, Center Span	200	872 14 05-08	Bolt Rdhd Sqnk 5/16-18 unc x 1
61	817 12 06-14	Screw 3/8-16 x .875	202	872 11 06-14	Bolt 3/8-16 x 1-3/4 Gr. 5
62	532 12 35-33	Cover, Pedal	212	532 14 52-12	Nut Hexflange Lock
63	532 18 02-19	Pulley, Clutch Eng	263	817 00 06-12	Screw 3/8-16 x 3/4
64	532 17 39-37	Bolt Hex 7/16-20 x 4 Ga. 5			
65	810 04 07-00	Washer			
66	532 15 47-78	Keeper Belt Engine			

NOTE: All component dimensions given in U.S. inches
1 inch = 25.4 mm

REPAIR PARTS

TRACTOR - MODEL NO. YTH150XP (96011011500), PRODUCT NO. 960 11 01-15
STEERING ASSEMBLY



steering_pl.lt_60

REPAIR PARTS

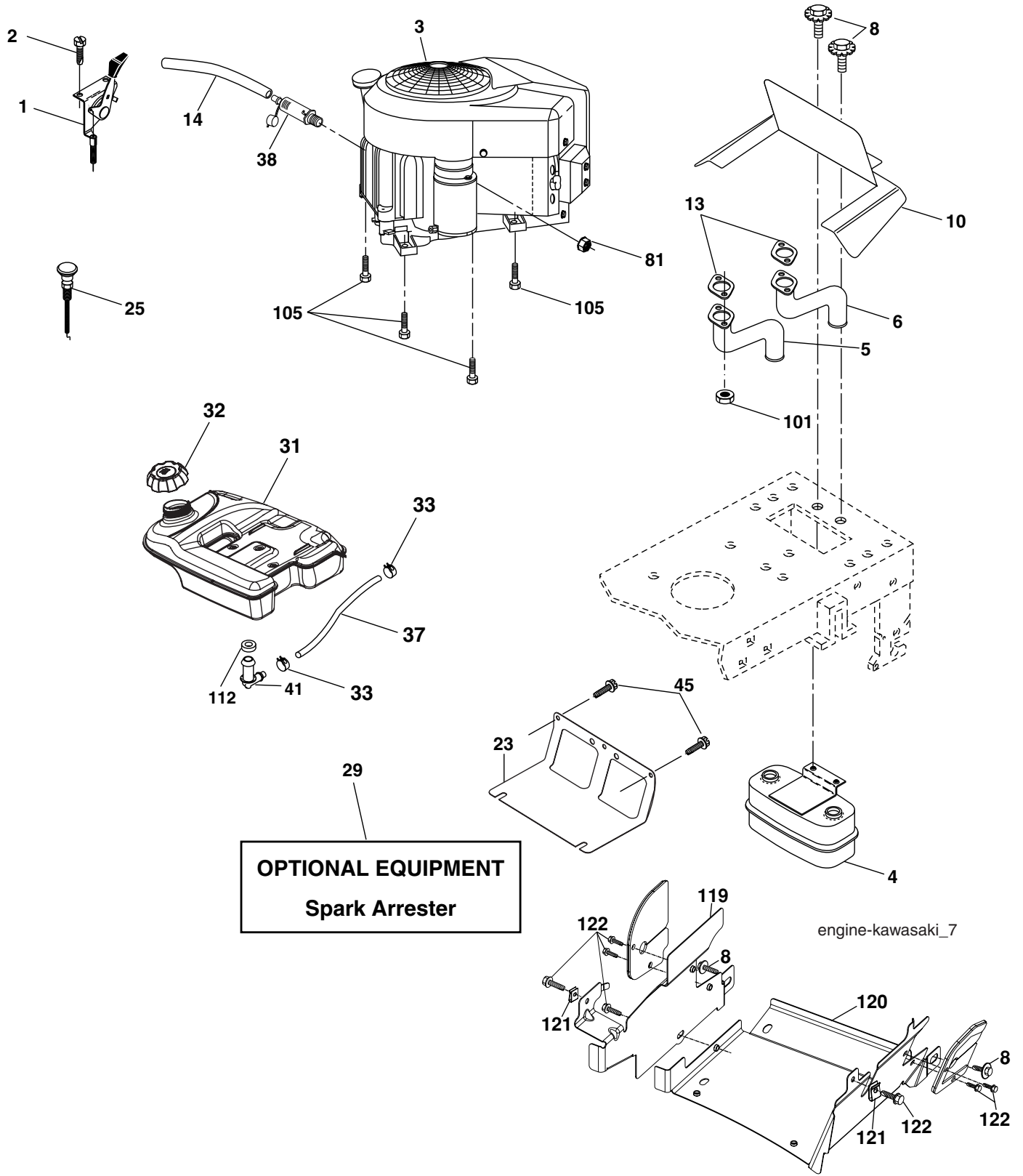
TRACTOR - MODEL NO. YTH150XP (96011011500), PRODUCT NO. 960 11 01-15
STEERING ASSEMBLY

KEY NO.	PART NO.	DESCRIPTION
1	532 19 36-51	Wheel Steering
2	532 18 47-06	Axle
3	532 16 98-40	Spindle Asm LH
4	532 16 98-39	Spindle Asm RH
5	532 12 49-31	Bearing Race Thrust Harden
6	532 12 17-48	Washer 25/32 x 1-5/8 x 16 Ga.
8	812 00 00-29	Ring Klip #t5304-75
10	532 17 51-21	Link Drag
11	810 04 06-00	Washer Lock Hvy Hlcl Spr 3/8
13	532 13 65-18	Spacer Brg Axle Front
15	532 14 52-12	Nut Hex Flange Lock
17	532 19 07-53	Shaft Asm Strg
29	817 00 06-12	Screw 3/8-16 x 3/4
32	532 17 18-88	Rod Tie
33	819 11 12-16	Washer 11/32 x 3/4 x 16 Ga.
34	810 04 05-00	Washer Lock Hvy Helical 5/16
35	873 54 05-00	Nut Crown Lock 5/16-24 unf
36	532 15 50-99	Bushing Strg
37	532 15 29-27	Screw
38	532 19 36-52	Insert Cap Strg Wh
39	819 11 38-12	Washer 11/32 ID x 2-3/8 OD x 12Ga.
40	873 54 06-00	Nut Crownlock 3/8-24
41	532 18 67-37	Adaptor Wheel Strg
42	532 16 96-34	Boot Steering Shaft
43	532 12 17-49	Washer 25/32 x 1 1/4 x 16 Ga.
44	532 19 07-52	Extension Steering Shaft
46	532 12 12-32	Cap Spindle Fr Top Blk
65	532 16 03-67	Spacer Brace Axle
67	872 11 06-18	Bolt Rdhd Sq 3/8-16 x 2-1/4
68	532 16 98-27	Axle, Brace
71	532 17 51-46	Steering Asm
82	532 19 99-78	Bracket Susp Chassis Front
87	532 17 39-66	Washer Flat .781 x 1-1/2 x .14
88	532 17 51-18	Bolt Shoulder 7/16-20
91	532 17 55-53	Clip Steering
95	532 18 89-67	Washer Hardened
97	874 78 05-64	Bolt 5/16-18 unc x 4" L Gr. 5

NOTE: All component dimensions given in U.S. inches.
1 inch = 25.4 mm.

REPAIR PARTS

TRACTOR - MODEL NO. YTH150XP (96011011500), PRODUCT NO. 960 11 01-15
ENGINE



REPAIR PARTS

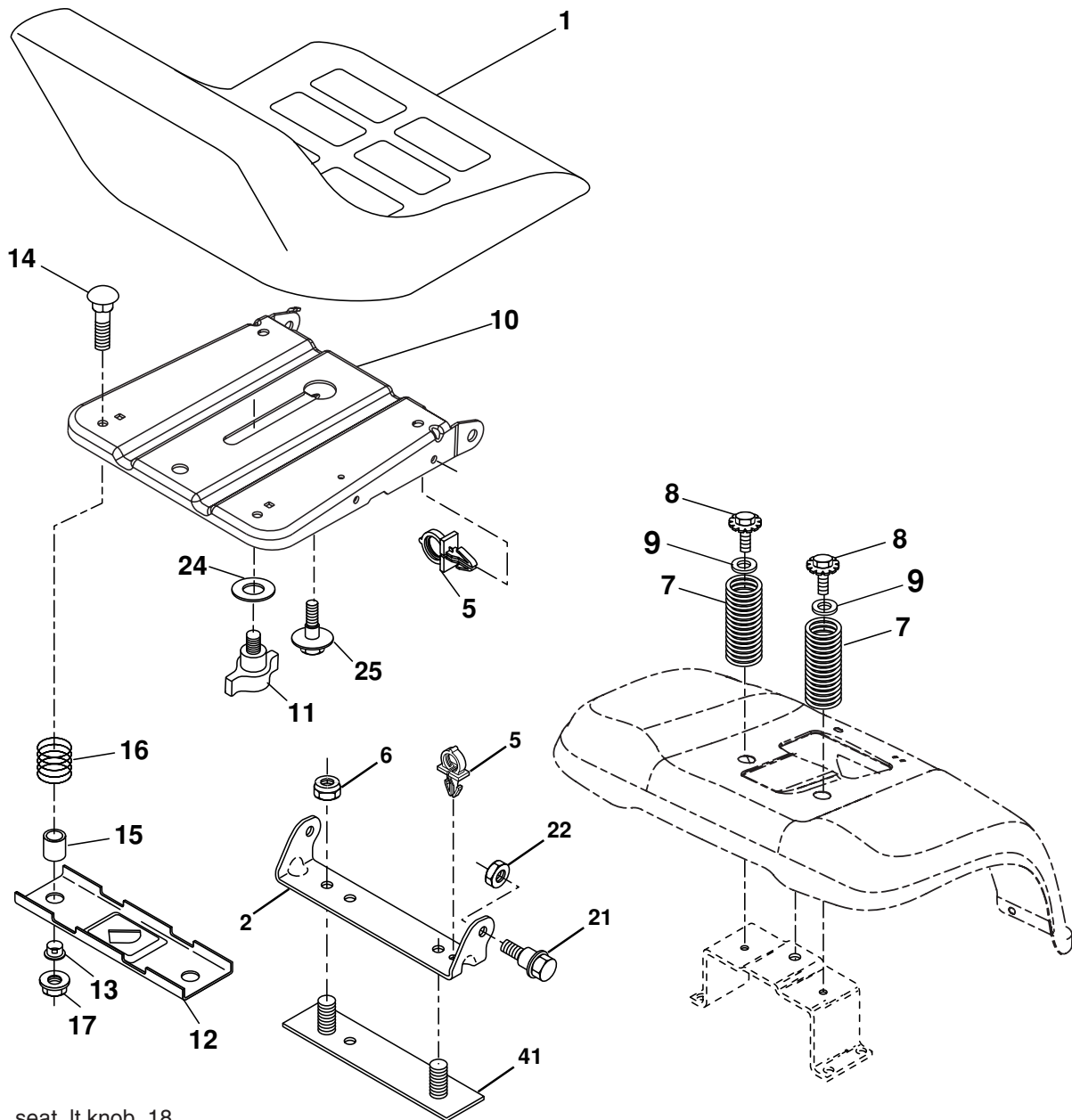
TRACTOR - MODEL NO. YTH150XP (96011011500), PRODUCT NO. 960 11 01-15
ENGINE

KEY NO.	PART NO.	DESCRIPTION
1	532 17 08-03	Control Th/ch Flag
2	817 72 04-08	Screw Hex Thd Cut 1/4-20 x 1/2
3	-----	Engine Kawasaki FH430V (Order Parts From Engine Manufacturer)
4	532 14 97-23	Muffler
5	532 18 14-44	Exhaust Tube LH
6	532 18 14-42	Exhaust Tube RH
8	532 17 18-77	Bolt 5/16-18 unc x 3/4
10	532 14 66-29	Shield Heat Muffler
13	-----	Gasket (Order Parts From Engine Manufacturer)
14	532 14 84-56	Tube Drain Oil Easy
23	532 16 98-37	Shield Browning/Debris Guard
25	532 19 18-12	Control Choke
29	532 13 71-80	Kit Spark Arrestor (Flat Scrn)
31	532 17 90-22	Tank Fuel
32	532 18 18-03	Cap Asm Fuel
33	532 12 34-87	Clamp Hose Black
37	532 14 21-58	Line Fuel
38	-----	Plug Drain Oil Easy(Order Parts From Engine Manufacturer)
41	532 13 92-77	Stem Tank Fuel
45	817 00 06-12	Screw Hex Wsh Thdr 3/8-16 x 3/4
81	873 51 04-00	Nut Keps Hex 1/4-20 Starter Nut
101	532 18 43-62	Nut Hex Flange Toplock M8-1.25
105	817 12 06-16	Screw 3/8-16 x 1
112	532 12 49-52	Bushing
119	532 40 05-95	Engine Guard Asm LH
120	532 40 05-94	Engine Guard Asm RH
121	532 19 66-88	Clip
122	532 13 77-29	Screw
123	817 67 05-08	Screw

NOTE: All component dimensions given in U.S. inches
1 inch = 25.4 mm

REPAIR PARTS

TRACTOR - MODEL NO. YTH150XP (96011011500), PRODUCT NO. 960 11 01-15
SEAT ASSEMBLY



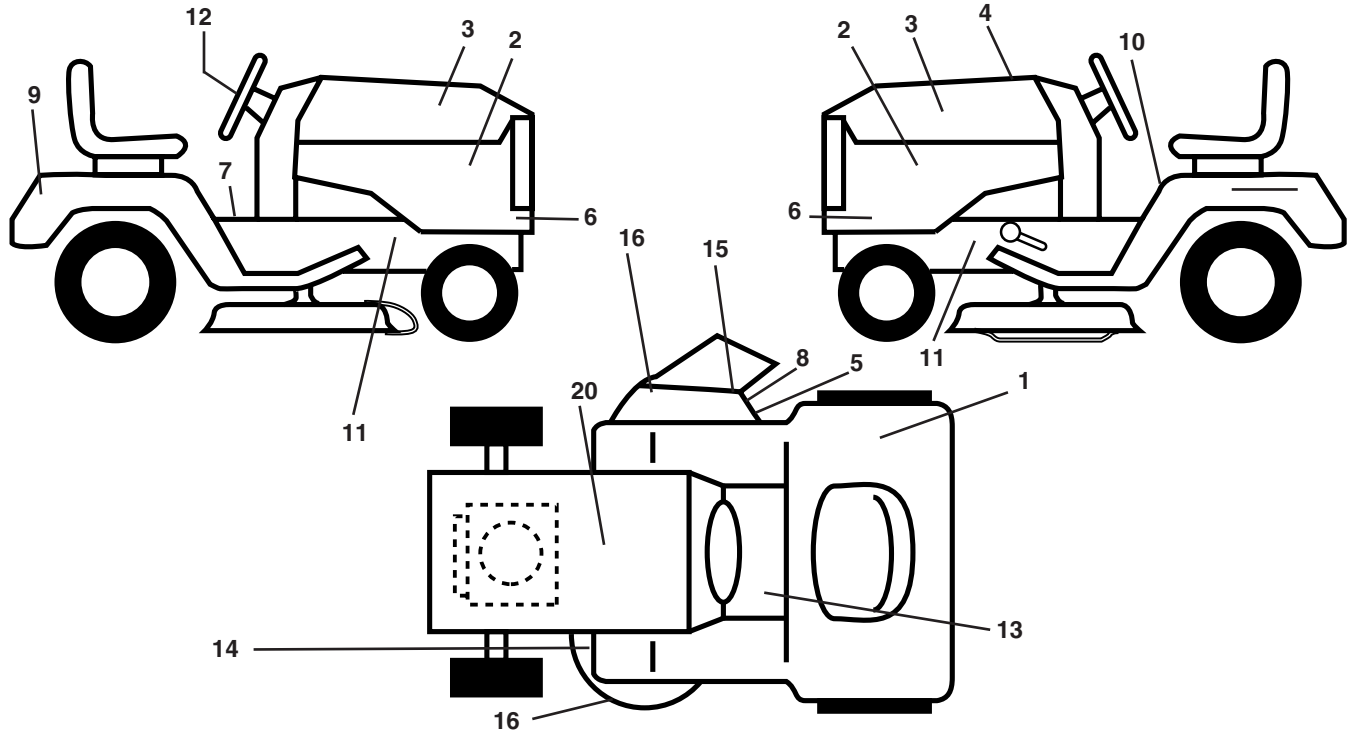
seat_lt.knob_18

KEY NO.	PART NO.	DESCRIPTION	KEY NO.	PART NO.	DESCRIPTION
1	532 18 87-15	Seat	15	532 12 12-49	Spacer Split
2	532 14 05-51	Bracket Pivot Seat 8 720	16	532 12 37-40	Spring Cprsn
5	532 14 50-06	Clip Push-In	17	532 12 39-76	Nut Lock 1/4 Lge Flg Gr. 5 Zinc
6	873 80 06-00	Nut Hex w/Ins. 3/8-16 unc	21	532 17 18-52	Bolt Shoulder 5/16-18 unc-2a Blk DA
7	532 12 41-81	Spring Seat Cprsn 2 250 Blk Zi	22	873 80 05-00	Nut Hex Lock W/Ins 5/16-18
8	817 00 06-16	Screw 3/8-16 x 1-1/2 Smgml Tap/RZ	24	819 17 19-12	Washer 17/32 x 13/16 x 12 Ga.
9	819 13 16-14	Washer 13/32 x 1 x 14 Ga.	25	532 12 70-18	Bolt Shoulder 5/16-18 x 62
10	532 19 55-30	Pan Seat	41	532 14 06-75	Strap Asm. Fender
11	532 16 63-69	Knob Seat Adj. Wingnut			
12	532 17 46-48	Bracket Mounting Switch			
13	532 12 12-48	Bushing Snap Blk Nyl 50 Id			
14	872 05 04-12	Bolt Rdhd Sqkn 1/4-2 x 1-1/2			

NOTE: All component dimensions given in U.S. inches.
1 inch = 25.4 mm

REPAIR PARTS

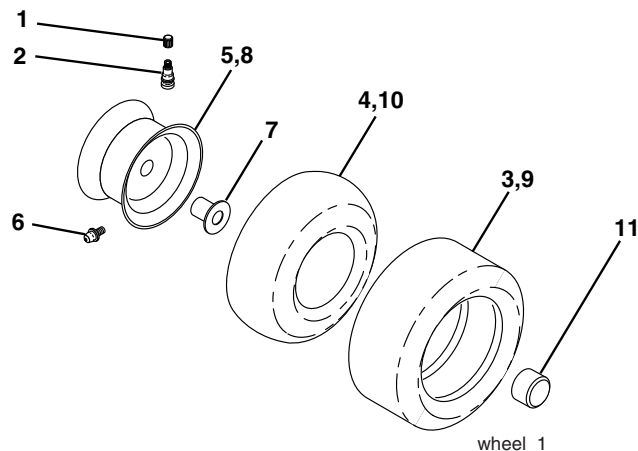
TRACTOR - MODEL NO. YTH150XP (96011011500), PRODUCT NO. 960 11 01-15
DECALS



KEY NO.	PART NO.	DESCRIPTION
1	532 18 04-32	Decal DB/CE
2	532 18 89-21	Decal Panel Side
3	532 18 89-22	Decal Hood
4	532 18 91-45	Decal Replacement
5	532 19 63-57	Decal Warning Cutfinger
6	532 19 11-51	Decal Side Panel
7	532 14 08-37	Decal Saddle Brake
8	532 18 21-66	Decal Mower Cutfinger Symbol
9	532 18 89-34	Decal Fender
10	532 40 03-89	Decal Read Owner's Manual Syms.
11	532 15 97-36	Decal Chassis Hot Muffler

KEY NO.	PART NO.	DESCRIPTION
12	532 18 89-25	Decal Wheel Steering
13	532 15 97-37	Decal Brake/Clutch Symbol LT
14	532 16 03-96	Decal V-Belt Schematic
15	532 17 91-28	Decal Deck "B" 42"
16	532 10 11-46	Decal Warning Service/Fire
20	532 14 50-05	Decal Bat Dan/Psn
--	532 16 25-98	Decal Drawbar Load Limit
--	532 16 69-60	Decal By-Pass
--	532 18 82-52	Pad Footrest LH STLT
--	532 18 82-53	Pad Footrest RH STLT
--	532 13 83-11	Decal Handle Lft Height Adjust
--	532 40 09-97	Manual Operator's (Euro.)
--	532 40 10-20	Manual Parts

WHEELS & TIRES

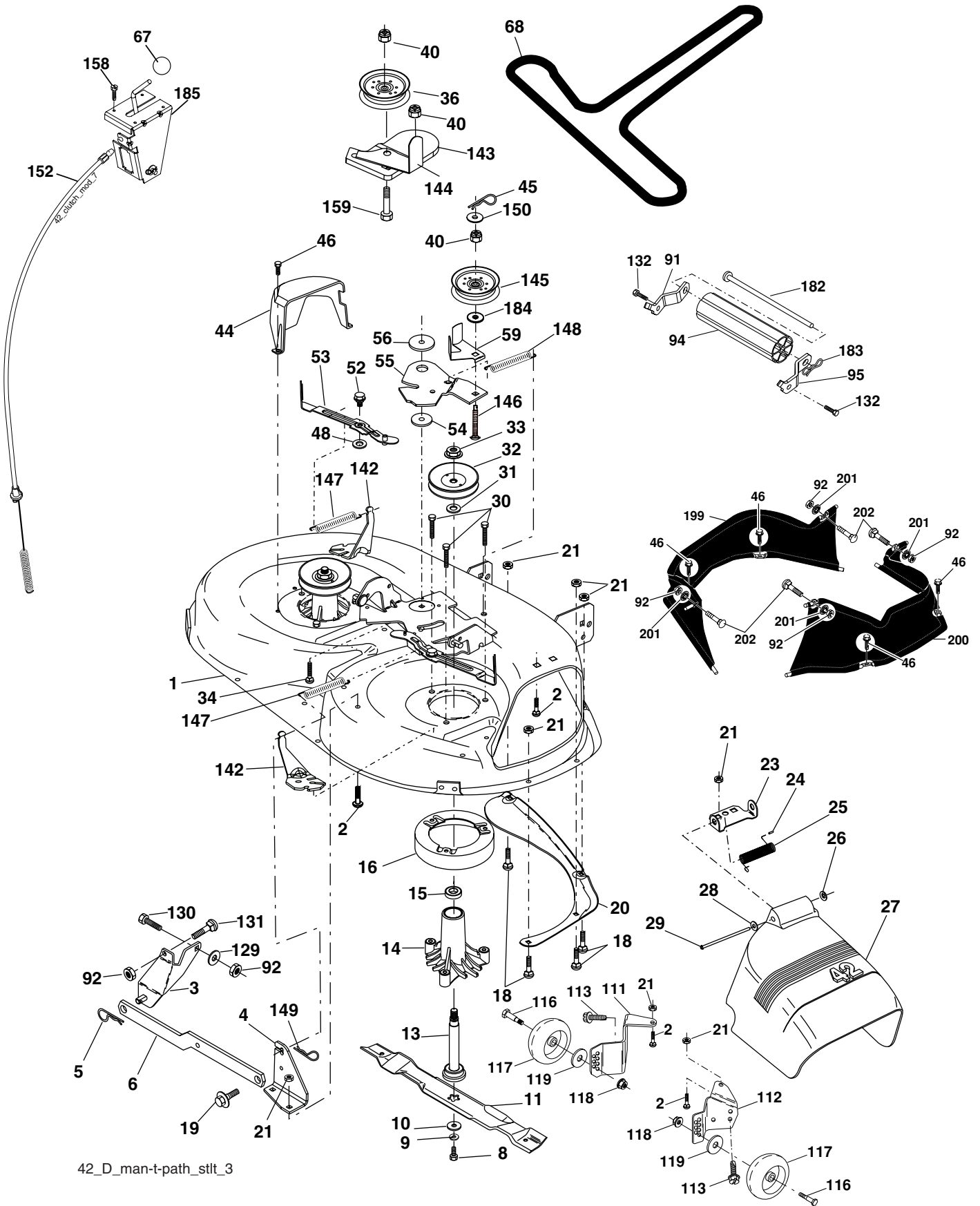


KEY NO.	PART NO.	DESCRIPTION
1	532 05 91-92	Cap Valve Tire
2	532 06 51-39	Stem Valve
3	532 10 62-22	Tire F Ts 15 x 6 0 - 6 Service
4	532 05 99-04	Tube Front (Service Item Only)
5	532 13 83-36	Rim Asm 6" front Service
6	532 12 49-57	Fitting Grease (Front Wheel Only)
7	532 12 49-59	Bearing Flange (Front Wheel Only)
8	532 13 83-37	Rim Asm 8" rear Service
9	532 12 20-82	Tire R Ts 20 x 10-8 C Service
10	532 12 49-26	Tube Rear (Service Item Only)
11	532 17 50-39	Cap Axle Blk 1 50 x 1 00
--	532 14 43-34	Sealant, Tire (10 oz. Tube)

NOTE: All component dimensions given in U.S. inches
1 inch = 25.4 mm

REPAIR PARTS

TRACTOR - MODEL NO. YTH150XP (96011011500), PRODUCT NO. 960 11 01-15
MOWER DECK



42_D_man-t-path_stilt_3

REPAIR PARTS

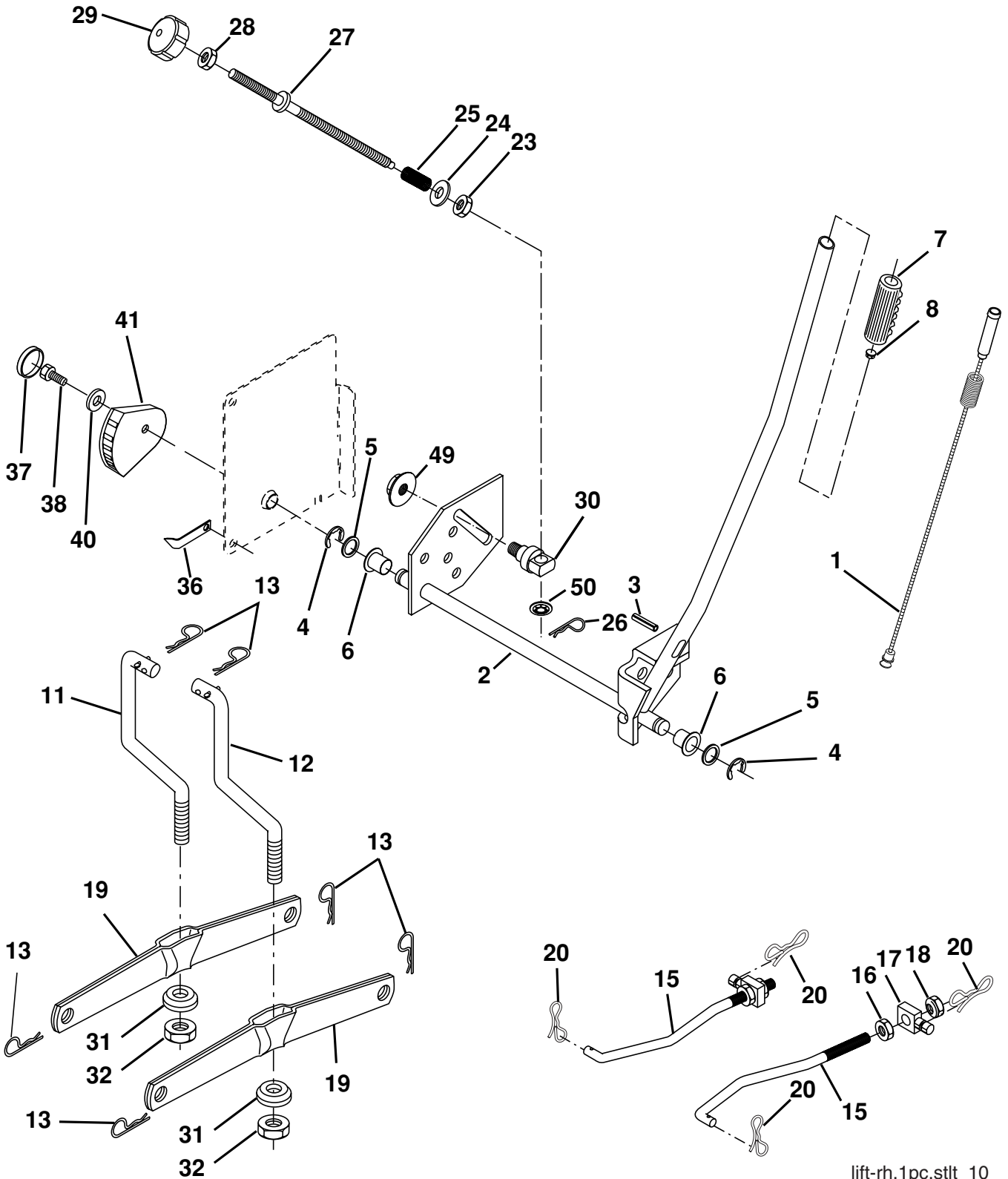
**TRACTOR - MODEL NO. YTH150XP (96011011500), PRODUCT NO. 960 11 01-15
MOWER DECK**

KEY NO.	PART NO.	DESCRIPTION	KEY NO.	PART NO.	DESCRIPTION
1	532 16 58-92	Deck Asm MWR 42"weldment	111	532 17 92-92	Bracket Wheel Gauge LH 42" Deck
2	872 14 05-06	Bolt Rdhd Sqnk 5/16-18 unc x 3/4	112	532 17 92-93	Bracket Gauge Wheel RH 42" Deck
3	532 13 80-17	Bracket Asm Fr Sway Bar 38/42	113	817 00 05-10	Screw 5/16-18
4	532 16 54-60	Bracket Asm Deck 42"sway Bar	116	532 12 48-42	Bolt Shoulder
5	532 12 46-70	Retainer Spring	117	532 18 86-06	Wheel Gauge
6	532 17 80-24	Bar Sway Deck	118	873 93 06-00	Nut Centerlock 3/8-16 unc
8	532 85 08-57	Bolt 3/8 - 24 x 1.25 Gr. 8	119	819 12 14-14	Washer 3/8 x 7/8 x 14 Ga.
9	810 03 06-00	Washer Lock Hvy 3/8	129	819 13 13-12	Washer 13/32 x 13/16 x 12 Ga.
10	532 14 02-96	Washer Hard Blade Mower Vented	130	874 78 06-16	Bolt Fin Hex 3/8-16 unc x 1 Gr. 5
11	532 13 89-71	Blade Mower 42"	131	872 14 06-08	Bolt Rdhd Sqnk 3/8-16 x 1
13	532 13 76-45	Shaft Asm W/lower Bearing	132	817 00 06-12	Screw 3/8-16 X .75
14	532 12 87-74	Housing Mandrel Vented	142	532 16 58-90	Arm Spring Brake Mower
15	532 11 04-85	Bearing Ball Mandrel	143	532 15 71-09	Bracket Arm Idler 42"
16	532 17 44-93	Stripper Mower Vented	144	532 15 86-34	Keeper Belt 42" Clutch Idler
18	872 14 05-05	Bolt Rdhd Sqnk 5/16-18 x 5/8	145	532 16 58-88	Pulley Idler Flat
19	532 13 28-27	Bolt Shoulder	146	532 17 19-77	Bolt Carriage Idler
20	532 15 97-70	Baffle Vortex 42	147	532 17 97-48	Spring Extension
21	873 68 05-00	Nut Crownlock 5/16-18 unc	148	532 16 90-22	Spring Return Idler
23	532 17 75-63	Bracket Deflector Mower 42"	149	532 16 58-98	Retainer Spring Yellow
24	532 10 53-04	Cap Sleeve 80x 112 Blk Mower	150	819 09 12-10	Washer 9/32 x 3/4 x 10 Ga.
25	532 12 37-13	Spring Torsion Deflector 2 52	152	532 18 15-55	Clutch Cable 42"
26	532 11 04-52	Nut Push Phos & Oil	158	817 72 04-08	Screw Hex Thd Cut 1/4-20 x 1/2
27	532 40 14-31	Shield Deflector Mower	159	872 14 06-14	Bolt Rdhd Sqn 3/8-16 unc x 1-3/4
28	819 11 10-16	Washer 11/32 x 5/8 x 16 Ga.	182	532 17 91-26	Rod Roller Nose Stand.
29	532 13 14-91	Rod Hinge 42"6 75 Wlg	183	532 19 42-09	Pin Cotter 7/16 Bow Tie Lock
30	532 17 39-84	Screw Thd Rolling Washer Head	184	819 13 14-10	Washer 13/32 x 7/8 x 10 Ga.
31	532 18 76-90	Washer Spacer	185	532 18 82-34	Head Asm. Cable Clutch
32	532 15 35-35	Pulley Mandrel 42"	198	817 67 05-08	Screw 5/16-18 x 1/2
33	532 17 83-42	Nut 9/16 Toplock Flng Oil Dip	199	532 40 02-78	Guard Asm. Fabric LH
34	872 11 06-12	Bolt Rdhd 3/8-16 unc x 1-1/2 Gr. 5	200	532 40 02-79	Guard Asm. Fabric RH
36	532 13 14-94	Pulley Idler Flat 3 060	201	532 40 12-20	Push Nut Round 3/8
40	873 90 06-00	Nut Lock Flg 3/8-16 unc	202	872 11 06-08	Bolt 3/8-16 x 1 Gr. 5
44	532 14 00-88	Guard Mandrel LH Black	203	532 19 72-62	Bolt Shoulder
45	532 12 47-88	Spring Retainer 1" Zinc/cad	204	873 54 05-00	Nut Crownlock 5/16-24 unf
46	532 13 77-29	Screw Hex Thd Cut 1/4-20 x 5/8 T	--	532 13 07-94	Mandrel Asm Service (Includes Housing, Shaft and Shaft Hardware Only-Pulley Not Included)
48	532 13 39-44	Washer Hardened Smaller	--	532 40 08-08	Replacement Mower, Complete (Std. Deck - Order separately nose roller and gauge wheel components key nos. 91, 94, 95, 132, 182, 183 and 116-119)
52	532 13 98-88	Bolt Shoulder 5/16-18 unc Blkz			
53	532 18 49-07	Arm Asm Pad Brake			
54	532 17 85-15	Washer Hardened			
55	532 15 50-46	Arm Idler 42"mower LT/YT			
56	532 16 57-23	Spacer Retainer Mower			
59	532 14 10-43	Guard TUV Idler			
67	532 10 69-32	Knob Rd 3/8-16 Plstc Thds Blk			
68	532 18 02-15	V-Belt Mower 42"			
91	532 18 05-32	Bracket Asm Noseroller LH			
92	873 80 06-00	Nut Lock Hex W/Ins 3/8-16 unc			
94	532 13 22-64	Roller Nose 38 & 42			
95	532 18 05-33	Bracket Asm Noseroller RH			

NOTE: All component dimensions given in U.S. inches
1 inch = 25.4 mm

REPAIR PARTS

TRACTOR - MODEL NO. YTH150XP (96011011500), PRODUCT NO. 960 11 01-15
MOWER LIFT



lift-rh.1pc.stlt_10

REPAIR PARTS

TRACTOR - MODEL NO. YTH150XP (96011011500), PRODUCT NO. 960 11 01-15
MOWER LIFT

KEY NO.	PART NO.	DESCRIPTION
1	532 15 94-60	Wire Asm Inner W/plunger 17 32
2	532 15 94-71	Shaft Asm Lift LH Inf Hgt P/L
3	532 10 57-67	Pin Groove 1 500 Zinc
4	812 00 00-02	E Ring #5133-62
5	819 21 16-21	Washer 21/32 x 1 x 21 Ga.
6	532 12 01-83	Bearing Nylon Blk 629 Id
7	532 12 56-31	Grip Handle
8	532 12 45-26	Button Plunger
11	532 13 98-65	Link Lift LH
12	532 13 98-66	Link Lift RH
13	532 12 46-70	Retainer Spring
15	532 17 32-88	Link Front
16	873 35 08-00	Nut Jam Hex 1/2-13 unc
17	532 17 56-89	Trunnion Blk Zinc
18	873 80 08-00	Nut Lock W/wsh 1/2-13 unc
19	532 13 98-68	Arm Suspension Rear
20	532 19 42-09	Pin Cotter 7/16 bow Tie Lock
23	532 11 08-07	Nut Special
24	819 13 10-16	Washer 13/32 x 5/8 x 16 Ga.
25	532 12 48-74	Spring 2-1/8"
26	532 16 94-84	Retainer Clip
27	532 12 69-71	Rod Adj Lift Zinc 7 49 Wrk Lg
28	873 35 06-00	Nut Hex Jam 3/8-16 unc
29	532 13 80-57	Knob Inf 3/8-16 unc Blk W/sym
30	532 15 02-33	Trunnion Inf Height
31	532 16 98-65	Bearing pvt. Lift
32	873 54 06-00	Nut Crownlock 3/8-24
36	532 15 50-97	Pointer pnt Height Ind.
37	532 12 39-35	Plug hole Blk 1.485/1.515 Dia.
38	817 06 05-16	Screw 5/16-18 x 1 Smgml Tap/R
40	819 11 24-10	Washer 11/32 x 1-1/2 10 Ga.
41	532 15 50-98	Indicator Height
49	532 14 52-12	Nut Hex Flange Lock
50	532 11 04-52	Push Nut

NOTE: All component dimensions given in U.S. inches
1 inch = 25.4 mm