

# R145SV

**Spare parts**

**Ersatzteile**

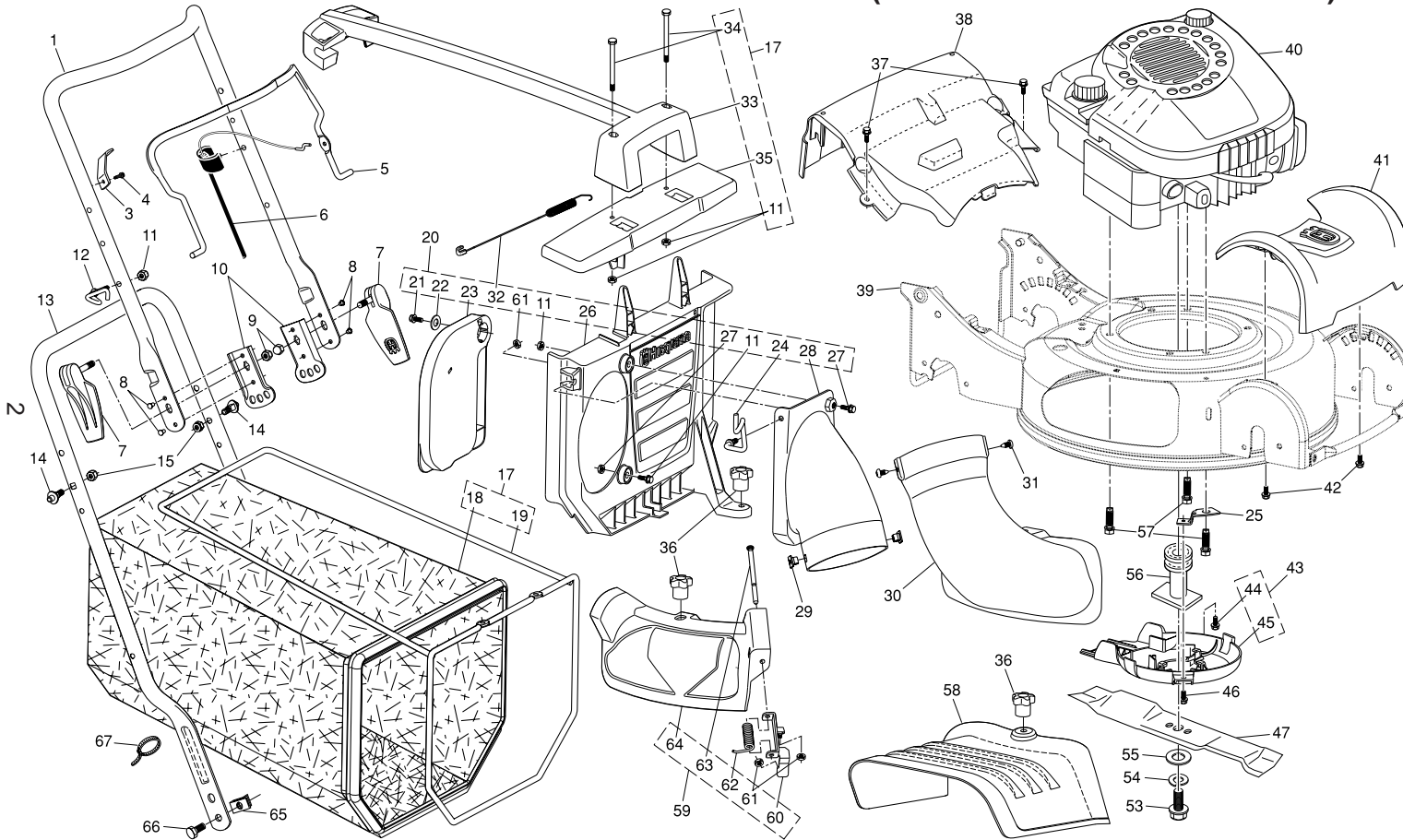
**Pièces détachées**

**Reserve onderdelen**

**Repuestos**

**Reservdelar**

# ROTARY LAWN MOWER -- MODEL NUMBER R145SV (MFG. ID. NUMBER 96141013101)



# ROTARY LAWN MOWER - - MODEL NUMBER R145SV (MFG. ID. NUMBER 96141013101)

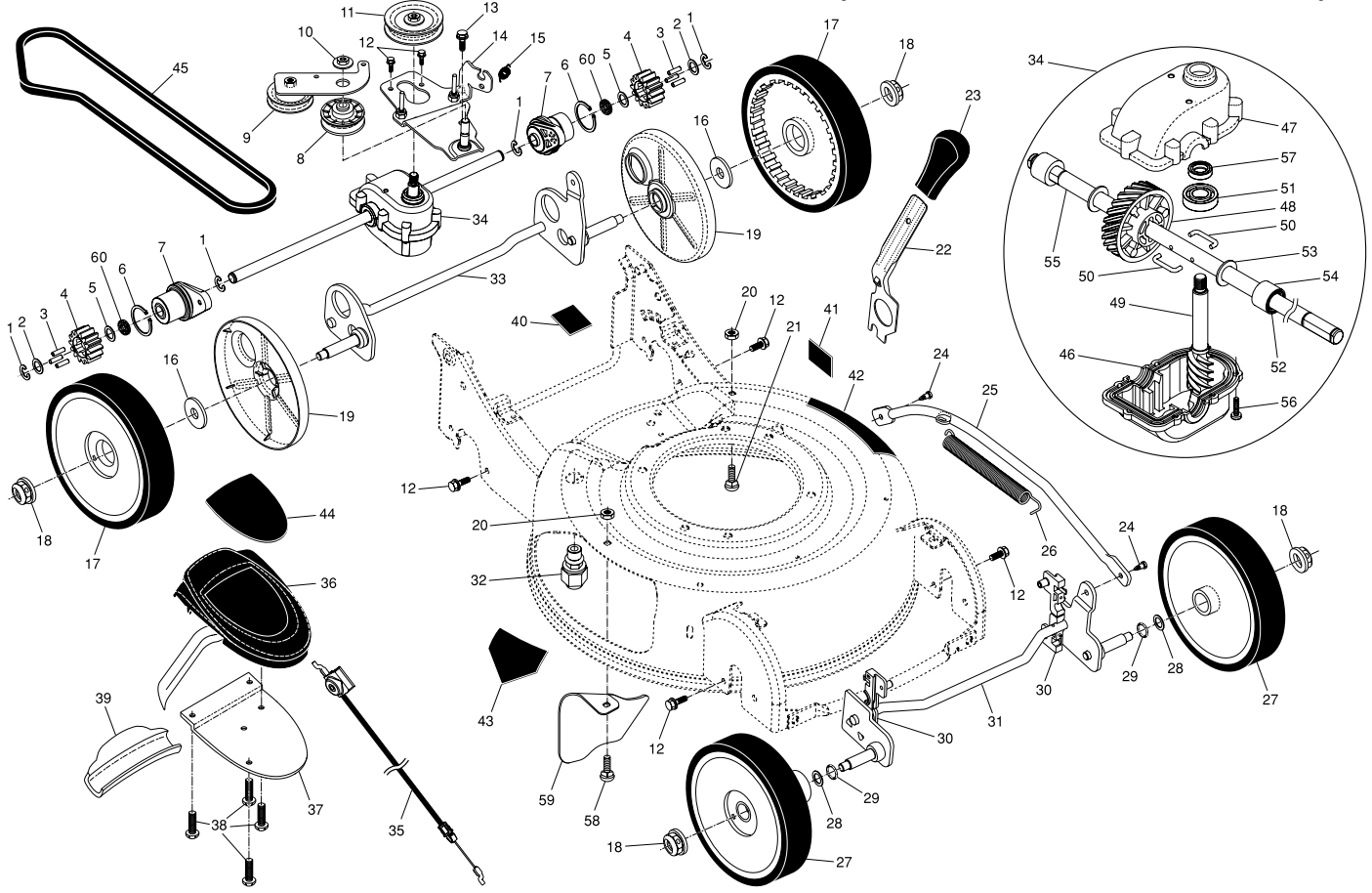
| KEY NO. | PART NO.            | DESCRIPTION                             | KEY NO. | PART NO.     | DESCRIPTION  | KEY NO. | PART NO.     | DESCRIPTION                            |
|---------|---------------------|---|---------|--------------|--|---------|--------------|--|
| 1       | 532 19 98-87        | Upper Handle                            | 24      | 532 40 86-52 | Rope Guide, Rear Door  | 42      | 532 19 41-89 | Screw, Hex Washer Head<br>1/8-16 x 5/8 |
| 3       | 532 12 52-03        | Upstop Bracket                          | 25      | 532 19 09-39 | Bracket, Debris Shield   | 43      | 532 40 12-16 | Debris Shield Assembly                 |
| 4       | 532 75 06-34        | Screw, Threaded, Rolled<br>#10-24 x 1/2 | 26      | 532 41 35-09 | Rear Door  | 44      | 532 08 86-52 | Screw, Hinge 1/4-20 x 1/2              |
| 5       | 532 18 62-98        | Control Bar                             | 27      | 532 18 35-18 | Bolt, Shoulder 5/16  | 45      | 532 41 35-15 | Debris Shield                          |
| 6       | <b>532 19 77-40</b> | Cable, Engine Zone Control              | 28      | 532 41 35-10 | Upper Chute  | 46      | 532 19 23-25 | Screw, Hex Washer Head                 |
| 7       | 532 41 35-07        | Quick Release Assembly                  | 29      | 532 19 97-27 | Grommet 1/4  | 47      | 532 19 92-43 | Blade                                  |
| 8       | 532 19 96-97        | Rivet                                   | 30      | 532 41 35-11 | Lower Chute  | 53      | 532 19 17-60 | Bolt, Hex Head 3/8-24 x 2-1/2          |
| 9       | 532 40 04-13        | Nut, Acorn                              | 31      | 532 19 98-55 | Screw, T-30 1/4-20 x 1/2   | 54      | 532 85 02-63 | Washer, Helical                        |
| 10      | 532 41 35-34        | Bracket, Quick Release                  | 32      | 532 40 14-02 | Spring, Rear Door  | 55      | 532 85 10-74 | Washer, Hardened                       |
| 11      | 532 13 20-04        | Nut, Hex, Zinc-Plated, Black<br>1/4-20  | 33      | 532 41 35-36 | Handle, Grass Catcher  | 56      | 532 18 67-66 | Blade Adapter / Pulley                 |
| 12      | 532 19 47-88        | Rope Guide, Upper Handle                | 34      | 871 09 04-48 | Screw 1/4-20 x 3   | 57      | 532 15 04-06 | Bolt, Engine, Dogpoint 3/8-16          |
| 13      | 532 41 35-35        | Lower Handle                            | 35      | 532 41 35-12 | Adapter, Grass Catcher   | 58      | 532 41 35-17 | Discharge Guard                        |
| 14      | 532 19 92-55        | Stud, Adjustment                        | 36      | 532 18 34-47 | Knob   | 59      | 532 40 93-14 | Mulcher Door Assembly                  |
| 15      | 532 75 11-53        | Nut, Hex 5/16-18                        | 37      | 532 19 94-22 | Screw, Hex Washer Head<br>1/4-20 x 1/2   | 60      | 532 19 92-68 | Hinge Bracket Assembly                 |
| 17      | 532 40 01-36        | Grass Catcher Assembly                  | 38      | 532 41 35-13 | Drive Cover  | 61      | 532 19 17-30 | Nut, Hex, Flangelock 1/4-20            |
| 18      | 532 19 92-73        | Grass Bag                               | 39      | 532 41 38-02 | Lawn Mower Housing   | 62      | 532 18 34-46 | Spring, Mulcher Door                   |
| 19      | 532 19 92-78        | Frame, Grass Bag                        | 40      | - - -        | Engine, Briggs & Stratton,<br>Model Number 128802<br>(Order parts from<br>Engine manufacturer) | 63      | 532 18 34-45 | Rod, Hinge                             |
| 20      | 532 40 01-35        | Chute Assembly                          | 41      | 532 41 35-14 | Front Cover  | 64      | 532 41 35-18 | Mulcher Door                           |
| 21      | 532 16 34-09        | Screw, Hi-Lo Thread 1/8 x 5/8           |         |              |  | 65      | 532 40 40-08 | Speed Nut                              |
| 22      | 532 05 38-47        | Washer, Flat 1/4                        |         |              |  | 66      | 532 85 09-99 | Bolt, Hex Head 3/8-16 x 1-1/4          |
| 23      | 532 41 35-08        | Chute, Rear Door                        |         |              |  | 67      | 532 06 64-26 | Wire Tie                               |
|         |                     |   |         |              |  | --      | 532 40 85-67 | Manual, Operator's, European           |
|         |                     |   |         |              |  | --      | 532 40 85-68 | Manual, Operator's, Scandinavian       |

**NOTE:** All component dimensions given in U.S. inches. 1 inch = 25.4 mm.

**IMPORTANT:** Use only Original Equipment Manufacturer (O.E.M.) replacement parts. Failure to do so could be hazardous, damage your lawn mower and void your warranty.

# ROTARY LAWN MOWER - - MODEL NUMBER R145SV (MFG. ID. NUMBER 96141013101)

4



# ROTARY LAWN MOWER - - MODEL NUMBER R145SV (MFG. ID. NUMBER 96141013101)

| KEY NO. | PART NO.     | DESCRIPTION                             | KEY NO. | PART NO.            | DESCRIPTION                   | KEY NO. | PART NO.     | DESCRIPTION          |
|---------|--------------|---|---------|---------------------|-------------------------------|---------|--------------|----------------------|
| 1       | 812 00 00-58 | E-Ring                                  | 19      | 532 18 94-03        | Dust Cover                    | 38      | 532 18 16-98 | Screw #8 x 1/16      |
| 2       | 532 05 21-60 | Washer, Flat                            | 20      | 873 51 04-00        | Locknut 1/4-20                | 39      | 532 18 62-97 | Cap, Drive Control   |
| 3       | 532 17 00-11 | Pawl                                    | 21      | 872 11 04-07        | Bolt, Carriage                | 40      | 532 19 97-31 | Decal, Noise Level   |
| 4       | 532 16 64-50 | Gear, Pinion                            | 22      | 532 41 35-19        | Height Adjustment Lever       | 41      | 532 15 97-36 | Decal, Hot Muffler   |
| 6       | 812 00 00-12 | Ring, Retaining                         | 23      | 532 19 92-69        | Knob, Height Adjustment Lever | 42      | 532 19 99-12 | Decal, Warning       |
| 7       | 532 40 01-34 | Bearing, Drive                          | 24      | 532 40 70-59        | Screw, Semi-Gimlett Point     | 43      | 532 18 21-66 | Decal, Danger        |
| 8       | 532 19 37-91 | Pulley, Idler                           | 25      | 532 40 71-42        | Rod, Height Adjustment        | 44      | 532 18 93-78 | Decal, Drive Control |
| 9       | 532 40 11-88 | Idler Bracket / Pulley Assembly         | 26      | 532 40 96-16        | Spring                        | 45      | 532 19 92-25 | V-Belt               |
| 10      | 532 14 52-12 | Locknut                                 | 27      | 532 41 08-31        | Wheel & Tire Assembly, Front  | 46      | 532 18 75-30 | Case, Lower          |
| 11      | 532 19 34-43 | Drive Pulley                            | 28      | 532 08 83-48        | Washer, Flat                  | 47      | 532 19 12-45 | Case, Upper          |
| 12      | 532 16 34-09 | Screw, Hi-Lo Thread 1/8 x 5/8           | 29      | 532 19 74-80        | O-Ring                        | 48      | 532 18 75-32 | Gear, 24 Teeth       |
| 13      | 817 06 04-10 | Screw, Hex Washer Head<br>1/4-20 x 1/16 | 30      | 532 41 35-20        | Bearing Assembly, Front Axle  | 49      | 532 40 30-91 | Shaft, Worm          |
| 14      | 532 40 11-13 | Belt Guide Bracket Assembly             | 31      | 532 41 40-71        | Axle Assembly, Front          | 50      | 532 18 35-05 | Wireform             |
| 15      | 532 19 41-24 | Spring, Return                          | 32      | 532 40 00-94        | Fitting, Quick Release        | 51      | 532 18 35-06 | Bearing, Ball        |
| 16      | 532 06 77-25 | Washer, Flat 3/8                        | 33      | 532 41 40-73        | Axle Assembly, Rear           | 52      | 532 18 35-08 | Seal, Output Shaft   |
| 17      | 532 41 10-81 | Wheel & Tire Assembly,<br>Rear, Driven  | 34      | 532 19 92-31        | Gear Case Assembly, Complete  | 53      | 532 18 35-09 | Washer               |
| 18      | 532 08 39-23 | Nut, Hex                                | 35      | <b>532 40 15-53</b> | Cable, Drive Control          | 54      | 532 18 35-11 | Bushing              |
|         |              |   | 36      | 532 40 15-51        | Drive Control Assembly        | 55      | 532 40 30-92 | Shaft, Output        |
|         |              |   | 37      | 532 40 07-23        | Plate, Rear, Drive Control    | 56      | 532 18 35-13 | Screw                |
|         |              |   |         |                     |                               | 57      | 532 18 35-14 | Seal, Worm Shaft     |

**NOTE:** All component dimensions given in U.S. inches. 1 inch = 25.4 mm.

**IMPORTANT:** Use only Original Equipment Manufacturer (O.E.M.) replacement parts. Failure to do so could be hazardous, damage your lawn mower and void your warranty.