

IPL, Kohler Courage 20 hp, 2007-01, 504 04 88-05

SV710-0018

Kohler Courage 20hp

Spare parts

Ersatzteile

Pièces détachées

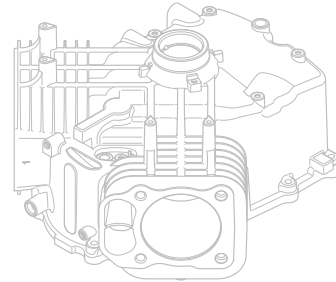
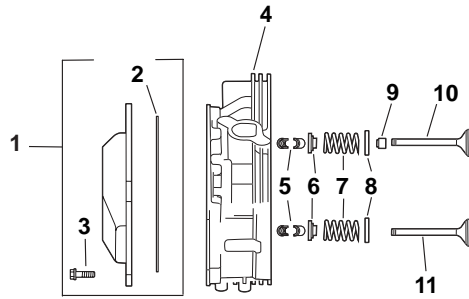
Reserve onderdelen

Repuestos

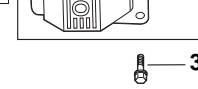
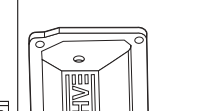
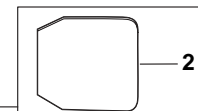
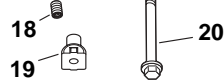
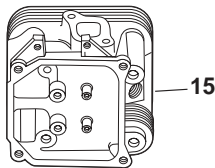
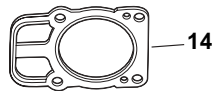
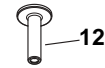
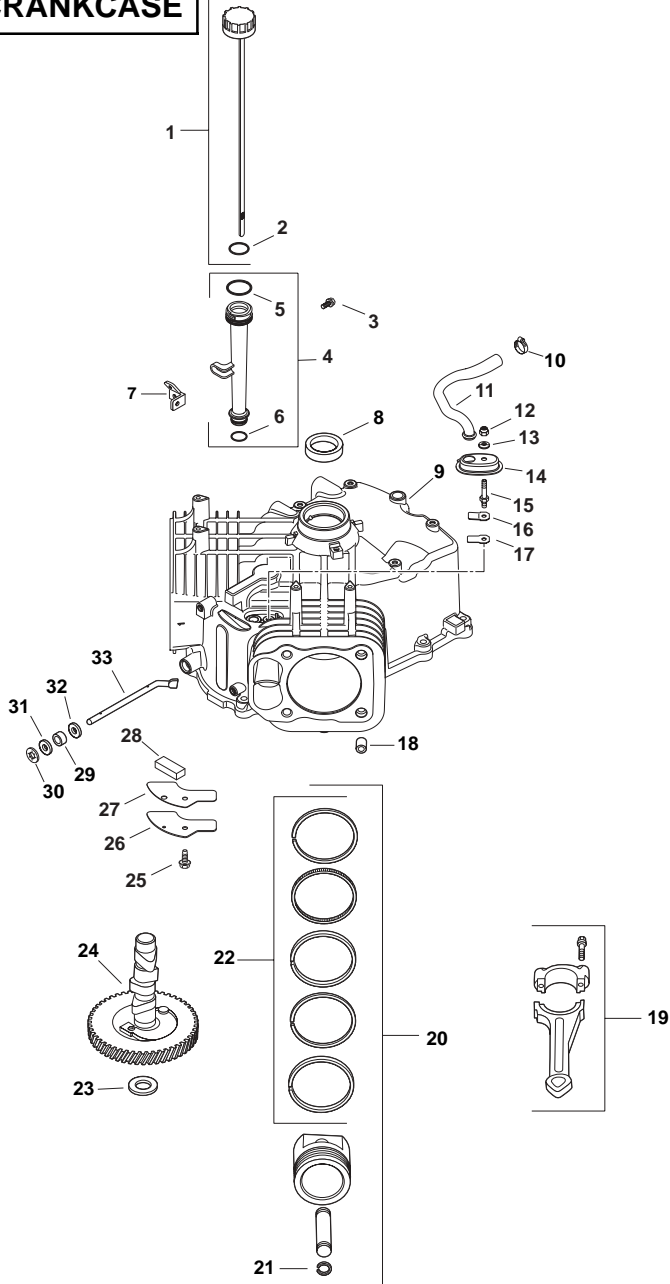
Reservdelar

KOHLER ENGINE - MODEL NO. SV710, TYPE NO. 0018

CYLINDER HEAD, VALVE, & BREATHER



CRANKCASE



KOHLER ENGINE - MODEL NO. SV710, TYPE NO. 0018

HEAD/VALVE/BREATHER - Group 4

1	531 02 98 75	1	Kit, valve cover - plain (Includes 2,3 [qty. 4])	14	531 02 99-47	1	Housing, breather
2	531 02 99-15	1	O-Ring	15	531 02 99-48	1	Stud, breather cover
3	531 02 99-14	8	Screw, hex flange M6x1.0x30	16	531 02 96-56	1	Retainer, breather reed
4	531 02 99-61	1	Head assembly, #1 cylinder (Includes 20 & head gasket)	17	531 02 96-57	1	Reed, breather
5	531 02 97-17	4	Kit, retainer	18	531 02 96-35	6	Pin, locating
6	531 02 97-16	4	Cap, valve spring	19	531 02 96-36	2	Connecting Rod (Std.)
7	531 02 97-15	4	Spring, valve	20	531 02 99-49	2	Piston w/Ring Set (Std.) (Includes 21,22)
8	531 02 97-14	4	Retainer, spring	21	531 02 96-45	4	Retainer, piston pin
9	531 02 97-13	2	Seal, valve stem	22	531 02 96-43	2	Ring Set (Std.)
10	531 02 97-11	2	Valve, intake (Std.)	23	531 02 96-50	A.R.	Shim, camshaft (yellow)
	531 02 97-12	2	Valve, intake (.25)		531 02 96-46	A.R.	Shim, camshaft (red)
11	531 02 97-09	2	Valve, exhaust (Std.)		531 02 96-47	A.R.	Shim, camshaft (black)
	531 02 97-10	2	Valve, exhaust (.25)		531 02 96-48	A.R.	Shim, camshaft (white)
12	531 02 99-62	4	Tappet		531 02 96-49	A.R.	Shim, camshaft (blue)
13	531 02 99-63	4	Rod, push		531 02 96-51	A.R.	Shim, camshaft (green)
14	531 02 99-17	2	Kit, cylinder head gasket (Includes head mounting hardware & 24 041 49-S, 24 153 27-S)		531 02 96-52	A.R.	Shim, camshaft (gray)
15	531 02 99-64	1	Head assembly, #2 cylinder (Includes 20 & head gasket)	24	531 02 99-50	1	Kit, camshaft (Includes 25 357 14-S)
16	531 02 99-65	4	Arm, rocker	25	531 02 97-62	1	Screw, hex flange thread forming M6x1.0x16
17	531 02 99-66	4	Nut, hex M10x0.75	26	531 02 99-51	1	Cover, breather
18	531 02 99-67	4	Screw, set	27	531 02 99-52	1	Gasket, breather cover
19	531 02 99-68	4	Pivot, rocker arm	28	531 02 99-53	1	Filter, breather
20	531 02 97-03	8	Screw, hex flange M10x1.5x90	29	531 02 96-68	1	Seal, governor cross shaft
21	544 46 57-01	4	Screw, hex flange M6x1.0x45	30	531 02 96-66	1	Ring, retainer
22	531 02 99-69	1	Kit, valve cover - breather (Includes 2)	31	531 02 96-67	1	Washer, flat 8 mm
23	531 02 97-08	1	Strap, lifting	32	531 02 96-69	1	Washer, flat 1/4"

NOT ILLUSTRATED

531 02 98-43	1	Gasket, exhaust manifold
531 02 97-40	1	O-Ring, intake port

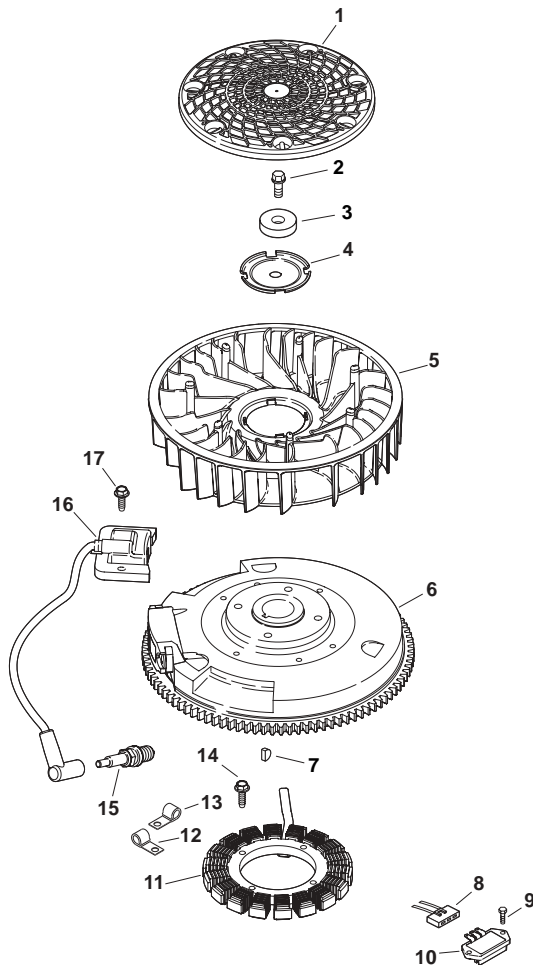
CRANKCASE - Group 2

1	531 02 96-63	1	Kit, dipstick (Includes 2)
2	531 02 99-44	1	O-Ring
3	531 02 96-61	1	Screw, hex flange thread forming M5x0.8x16
4	531 02 96-60	1	Tube, oil fill (Includes 5,6)
5	531 02 96-62	1	O-Ring, upper oil fill tube
6	531 02 96-58	1	O-Ring, lower oil fill tube
7	531 02 96-59	1	Bracket, oil fill tube
8	531 02 97-79	1	Seal, oil
9	--- -- -----	1	Crankcase (USE: Short Block)
10	531 02 96-04	1	Clamp, hose
11	531 02 99-45	1	Hose, breather
12	531 02 98-05	1	Nut, hex lock M5x0.8
13	531 02 99-46	1	Washer, sealing

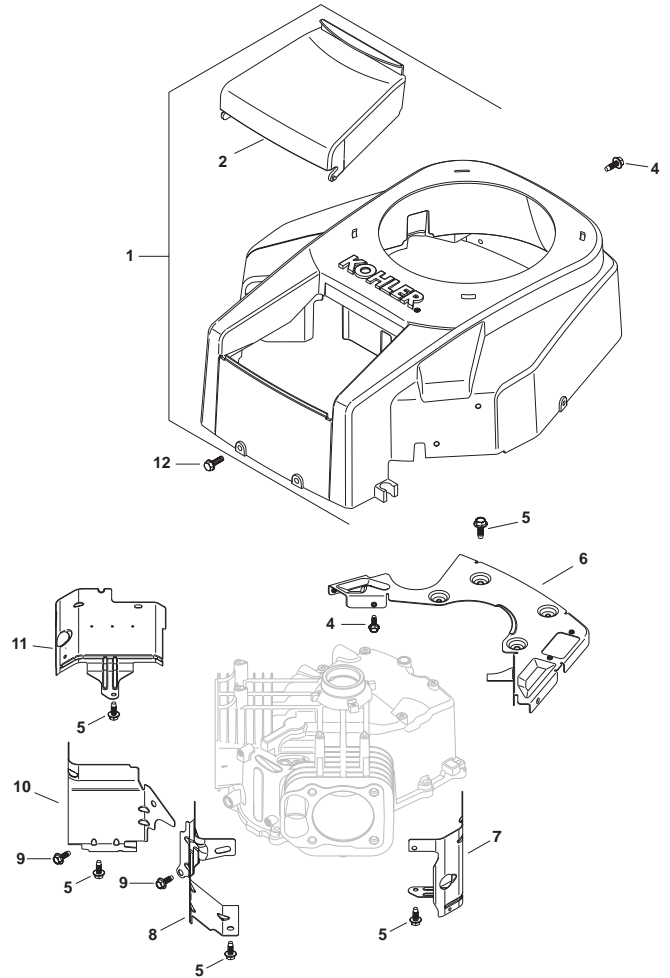
NOTE: All component dimensions given in U.S. inches
1 inch = 25.4 mm

KOHLER ENGINE - MODEL NO. SV710, TYPE NO. 0018

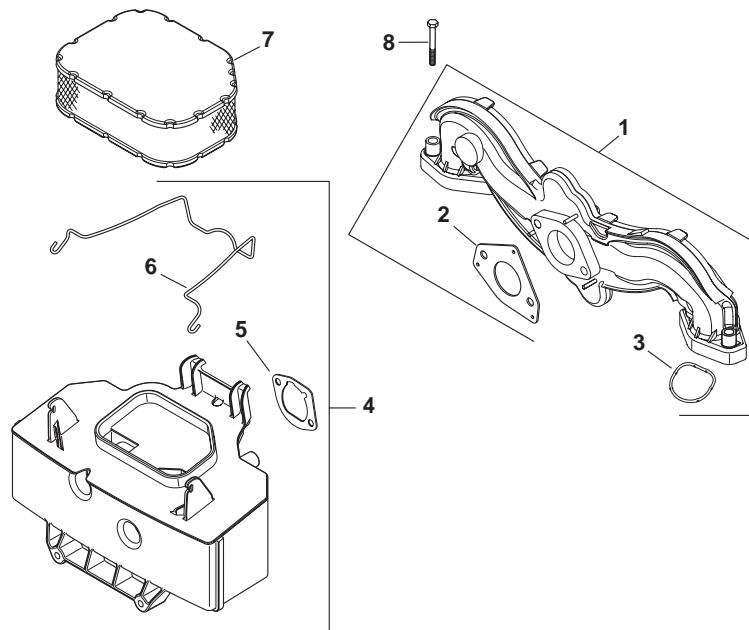
IGNITION/ELECTRICAL



BLOWER HOUSING & BAFFLES



AIR INTAKE



KOHLER ENGINE - MODEL NO. SV710, TYPE NO. 0018

IGNITION/ELECTRICAL - Group 5

1	531 02 99-70	1	Screen, grass
2	531 02 95-73	1	Screw, hex flange M10x1.5x45
3	531 02 95-74	1	Washer, flat 3/8"
4	531 02 95-75	1	Plate, fan mounting
5	531 02 99-73	1	Fan
6	531 02 99-74	1	Flywheel
7	531 02 95-11	1	Key
8	531 02 95-83	1	Connector (3 contact)
9	531 02 97-59	2	Screw, heavy hex flange M5x0.8x16
10	531 02 95-85	1	Rectifier-regulator
11	531 02 95-82	1	Kit, 15 amp stator
12	531 02 97-83	1	Clip, cable
13	531 02 97-47	1	Clip, cable
14	531 02 95-81	2	Screw, hex head thread forming M5x0.8x25
15	531 02 99-75	2	Spark plug, RFI
16	531 02 99-76	2	Module, RFI ignition
17	531 02 95-84	4	Screw, hex flange thread forming M5x0.8x20

NOT ILLUSTRATED

531 02 99-77	1	Harness, wiring
531 02 97-54	2	Tie, wire

BLOWER HOUSING & BAFFLES - Group 6

1	531 02 99-78	1	Housing, blower (Includes 2, 41 037 10-S)
2	531 02 99-79	1	Cover, air cleaner
4	531 02 96-61	6	Screw, hex flange thread forming M5x0.8x16
5	531 02 97-62	8	Screw, hex flange thread forming M6x1.0x16
6	531 02 99-80	1	Plate, backing w/rectifier-regulator opening
7	531 02 99-81	1	Baffle, cylinder barrel - #2 side
8	531 02 99-82	1	Baffle, valley - #2 side
9	531 02 96-55	2	Screw, hex flange thread forming M5x0.8x10
10	531 02 99-83	1	Baffle, valley - #1 side
11	531 02 99-84	1	Baffle, cylinder barrel - #1 side
12	531 02 96-79	2	Screw, hex cap M6x1.7x18

NOT ILLUSTRATED

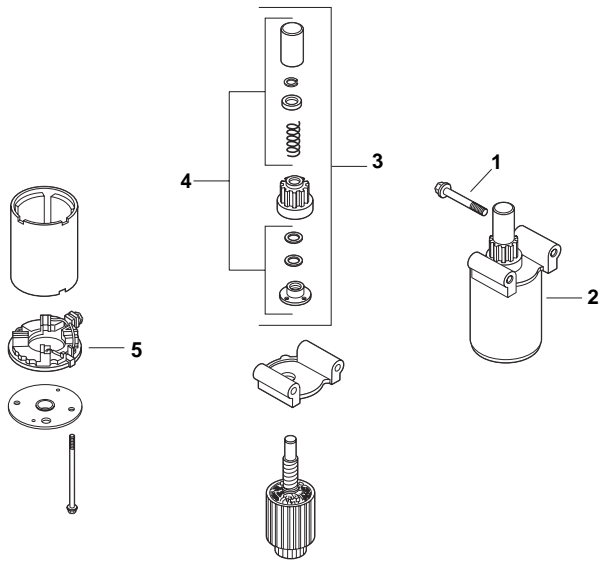
531 02 99-27	1	Nameplate, service
--------------	---	--------------------

AIR INTAKE/FILTRATION - Group 10

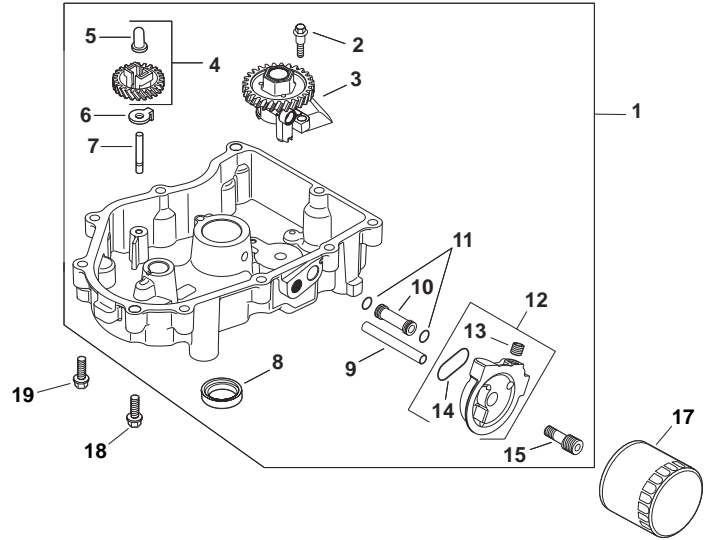
1	531 02 98-37	1	Manifold, intake (Includes 2,3)
2	531 02 95-90	1	Gasket, carburetor
3	531 02 97-40	2	O-Ring, intake port
4	531 02 99-96	1	Base, air cleaner (Includes 5,6)
5	531 02 97-80	1	Gasket, air cleaner base
6	531 02 99-97	1	Latch, air cleaner element
7	531 02 99-02	1	Element, air cleaner
8	531 02 98-41	4	Screw, hex flange M6x1.0x40

KOHLER ENGINE - MODEL NO. SV710, TYPE NO. 0018

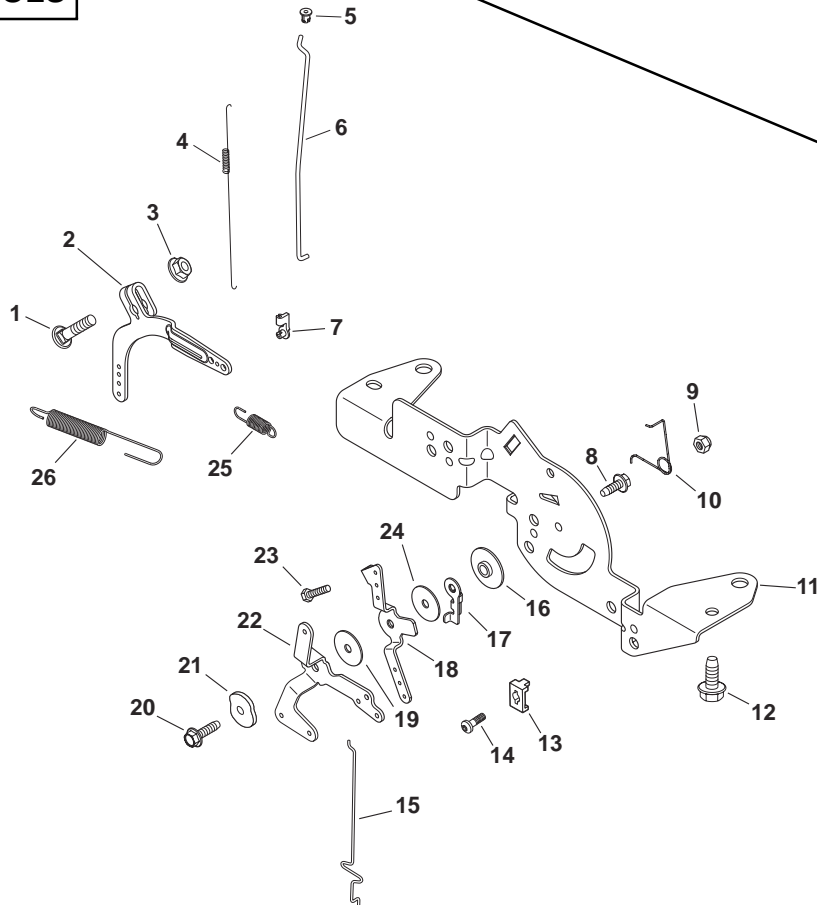
STARTING SYSTEM



OIL PAN/LUBRICATION



ENGINE CONTROLS



KOHLER ENGINE - MODEL NO. SV710, TYPE NO. 0018

STARTING SYSTEM - Group 7

1	531 02 97-71	2	Screw, hex flange M8x1.25x70	18	531 02 98-15	1	Lever, throttle control
2	531 02 99-85	1	Starter assembly (Includes 3-5)	19	531 02 98-16	1	Washer, flat 5.5 mm
3	531 02 99-89	1	Kit, drive	20	531 02 95-84	1	Screw, hex flange thread forming M5x0.8x20
4	531 02 99-90	1	Kit, drive parts	21	531 02 98-19	1	Washer, spring 1/4"
5	531 02 99-91	1	Commutator, end cap	22	531 02 98-18	1	Lever, choke
				23	531 02 99-95	1	Screw, hex head cap w/nylon strip M4x0.7x25

OIL PAN/LUBRICATION - Group 3

1	531 02 99-54	1	Pan assembly, oil (Includes 2-15)	24	531 02 98-13	1	Washer, flat 5 mm
2	531 02 99-55	2	Screw, hex flange thread forming shoulder	25	531 02 98-23	1	Spring, governor
3	531 02 99-56	1	Pump assembly, oil	26	531 02 98-22	1	Spring, governor
4	531 02 96-78	1	Kit, governor gear w/pin (Includes 5)				
5	531 02 95-49	1	Pin, governor regulating				
6	531 02 99-12	1	Tab, locking				
7	531 02 96-81	1	Shaft, governor gear				
8	531 02 96-83	1	Seal, oil (PTO end)				
9	531 02 99-57	1	Tube, oil feed - filter to oil pan				
10	544 46 56-01	1	Tube, oil feed - oil pan to filter				
11	531 02 96-74	2	O-Ring				
12	531 02 99-58	1	Adapter, oil filter (Includes 13,14)				
13	531 02 95-43	1	Plug, hex ctsk. 1/8"				
14	531 02 99-59	1	O-Ring, oil filter adapter				
15	531 02 99-60	1	Nipple, oil filter				
17	531 02 97-86	1	Filter, oil				
18	531 02 96-87	1	Screw, hex flange M8x1.25x45				
19	531 02 96-88	9	Screw, hex flange M8x1.25x45				

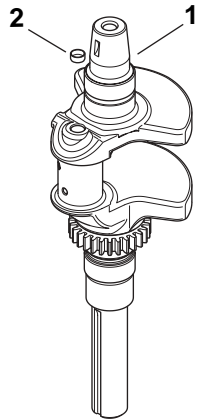
ENGINE CONTROLS - Group 9

1	531 02 97-97	1	Bolt, round head square neck
2	531 02 97-98	1	Lever, governor
3	531 02 96-02	1	Nut, hex flange M6x1.0
4	531 02 98-00	1	Spring, linkage
5	531 02 96-26	1	Bushing, linkage retaining
6	531 02 98-02	1	Linkage, throttle
7	531 02 96-24	1	Bushing, throttle linkage
8	531 02 96-61	1	Screw, hex flange thread forming M5x0.8x16
9	531 02 98-05	1	Nut, hex lock M5x0.8
10	531 02 98-06	1	Spring, choke return
11	531 02 99-33	1	Bracket, control
12	531 02 97-62	4	Screw, hex flange thread forming M6x1.0x16
13	531 02 96-13	2	Clamp, cable
14	531 02 96-14	2	Screw, 6 lobed thread forming M5x0.8x16
15	531 02 98-21	1	Linkage, choke
16	531 02 98-11	1	Spacer, control assembly
17	531 02 98-12	1	Lever, throttle actuator

NOTE: All component dimensions given in U.S. inches
1 inch = 25.4 mm

KOHLER ENGINE - MODEL NO. SV710, TYPE NO. 0018

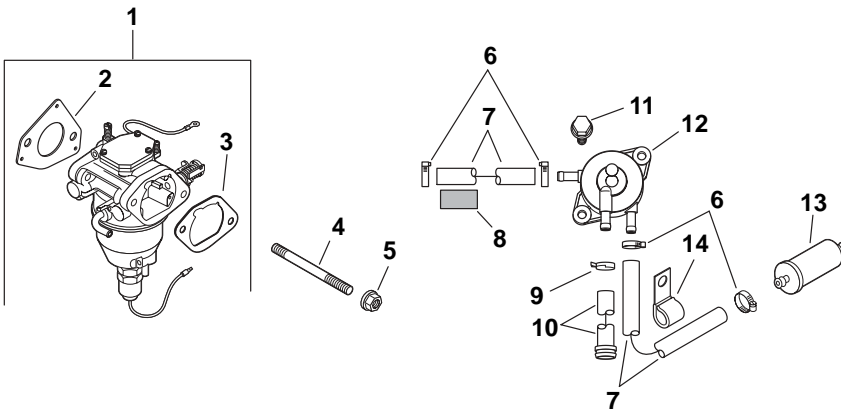
CRANKSHAFT



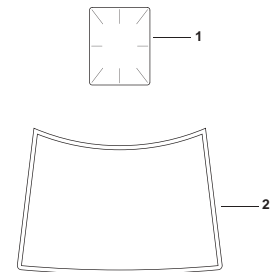
EXHAUST



FUEL SYSTEM



DECALS



Artwork is representative.
Actual labels may differ depending on model and specification number.

KOHLER ENGINE - MODEL NO. SV710, TYPE NO. 0018

CRANKSHAFT - Group 1

1	531 02 99-43	1	Crankshaft (Includes 2)
2	531 02 96-54	1	Plug, cup

EXHAUST - Group 11

1	531 02 96-31	4	Stud, M8x1.25x33
---	--------------	---	------------------

NOT ILLUSTRATED

531 02 99-42	1	Short Block
544 46 61-01	1	Gasket Set

FUEL SYSTEM - Group 8

1	531 02 99-86	1	Kit, carburetor w/gaskets (Includes 2,3)
2	531 02 95-90	1	Gasket, carburetor
3	531 02 97-80	1	Gasket, air cleaner base
4	531 02 99-92	2	Stud, carburetor
5	531 02 96-02	2	Nut, hex flange M6x1.0
6	531 02 96-04	4	Clamp, hose
7	531 02 99-87	2	Line, fuel (24" long - Cut to length)
8	544 46 59-01	1	Sleeve, anti-abrasion
9	531 02 99-93	1	Clamp, hose
10	531 02 99-88	1	Hose, fuel pump
11	531 02 96-79	2	Screw, hex cap M6x1.7x18
12	531 02 97-87	1	Pump, pulse fuel
13	531 02 98-62	1	Filter, fuel

NOT ILLUSTRATED

531 02 97-83	1	Clip, cable
531 02 99-94	1	Screw, throttle stop
531 02 98-09	1	Kit, service choke repair (Includes 2,3)
531 02 98-10	1	Kit, service gasket repair (Includes 2,3)
531 02 98-17	1	Kit, float w/gaskets (Includes 2,3)
531 02 98-20	1	Kit, solenoid valve w/gaskets (Includes 2,3)

DECALS - Group 12

1	531 02 98-42	1	Decal, clear laminate
2	544 46 60-01	1	Decal, 20 HP

NOTE: All component dimensions given in U.S. inches
1 inch = 25.4 mm