

IPL, Kohler Courage 27 hp, 2007-01, 504 04 88-08

SV740-0016

# Kohler Courage 27hp

**Spare parts**

**Ersatzteile**

**Pièces détachées**

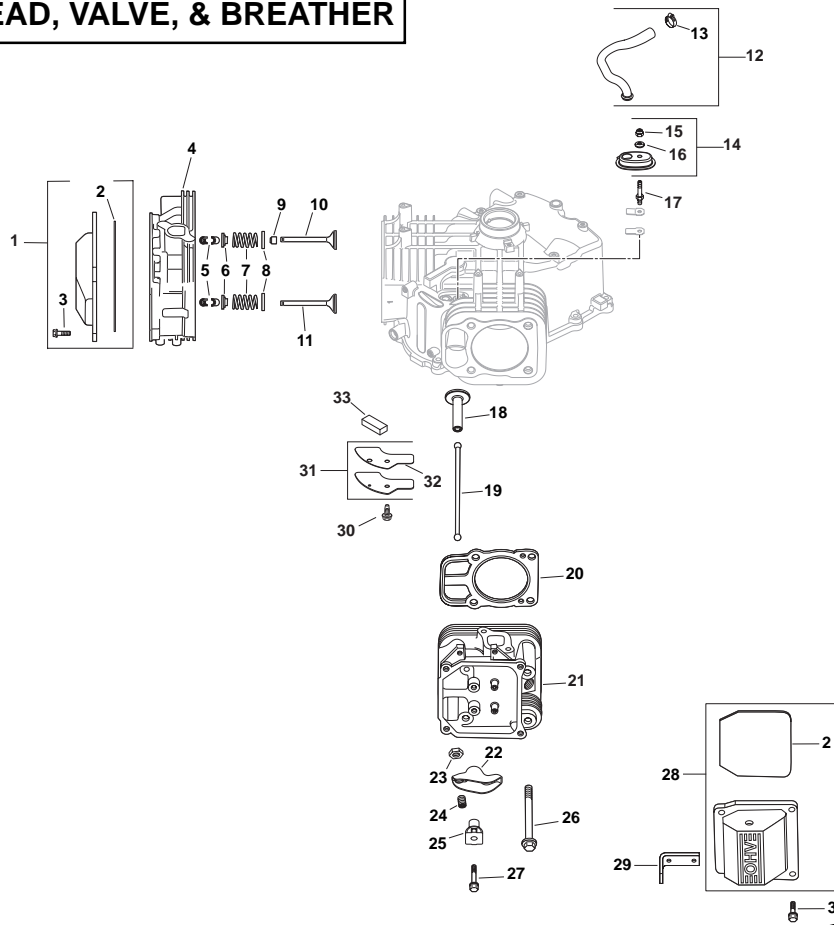
**Reserve onderdelen**

**Repuestos**

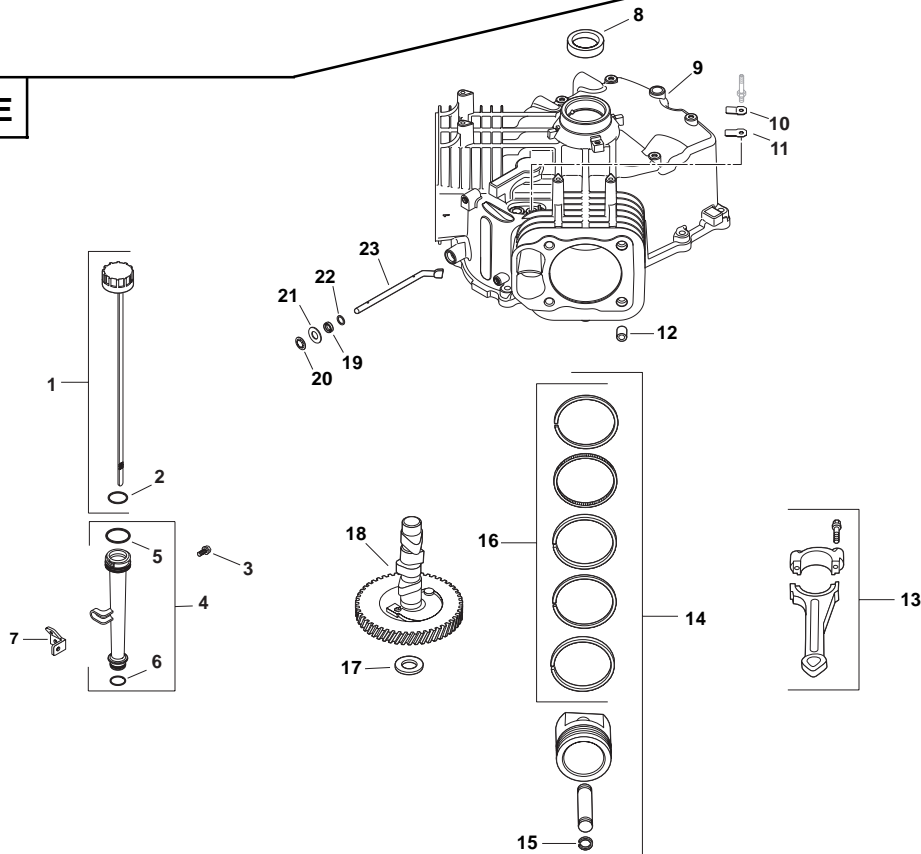
**Reservdelar**

# KOHLER ENGINE - MODEL NO. SV740, TYPE NO. 0016

## CYLINDER HEAD, VALVE, & BREATHER



## CRANKCASE



# KOHLER ENGINE - MODEL NO. SV740, TYPE NO. 0016

## HEAD/VALVE/BREATHER 4-32-1

1	531 02 98 75	1	KIT, PLAIN ROCKER COVER (INCLUDES 2 [QTY 1],3 [QTY 4])
2	531 02 99-15	2	O-RING
3	531 02 99-14	8	SCREW, FLG M6X1.0X30 (INCLUDES 26 [QTY. 4] & HEAD GASKET)
4	531 02 99-61	1	KIT, #1 CYLINDER HEAD ASSY (INCLUDES 26 [QTY. 4] & HEAD GASKET)
5	531 02 97-17	4	KIT, RETAINER
6	544 83 93-01	4	CAP, VALVE SPRING
7	531 02 97-15	4	SPRING, VALVE
8	531 02 97-14	4	RETAINER, SPRING
9	531 02 97-13	2	SEAL, VALVE STEM
10	531 02 97-11	2	VALVE, INTAKE (STD.)
	531 02 97-12	2	VALVE, INTAKE (.25)
11	531 02 97-09	2	VALVE, EXHAUST (STD.)
	531 02 97-10	2	VALVE, EXHAUST (.25)
12	531 02 99-45	1	KIT, HOSE BREATHER (INCLUDES 13 [QTY 1])
13	531 02 96-04	5	CLAMP, HOSE
14	531 02 99-47	1	KIT, BREATHER HOUSING (INCLUDES 15,16)
15	531 02 98-05	1	NUT, LOCK M5X0.8
16	531 02 99-46	1	WASHER, SEALING
17	531 02 99-48	1	STUD, BREATHER COVER
18	531 02 99-62	4	TAPPET
19	531 02 99-63	4	ROD, PUSH
20	544 81 01-01	2	KIT, CYLINDER HEAD GASKET (INCLUDES HEAD MOUNTING HARDWARE & 531 02 98-43, 531 02 97-40)
21	531 02 99-64	1	KIT, #2 CYLINDER HEAD ASSY (INCLUDES 26 [QTY. 4] & HEAD GASKET)
22	531 02 99-65	4	ARM, ROCKER
23	531 02 99-66	4	NUT, M10X0.75
24	531 02 99-67	4	SCREW, SET
25	531 02 99-68	4	PIVOT, ROCKER ARM
26	531 02 97-03	8	SCREW, FLG M10X1.5X90
27	544 46 57-01	4	SCREW, FLG M6X1.0X45
28	544 84 07-01	1	KIT, BREATHER VALVE COVER (INCLUDES 2 [QTY 1])
29	531 02 97-08	1	STRAP, LIFTING
30	531 02 97-62	1	SCREW, FLG THD FRM M6X1.0X16
31	531 02 99-51	1	KIT, BREATHER COVER (INCLUDES 32)
32	531 02 99-52	1	GASKET, BREATHER COVER
33	531 02 99-53	1	FILTER, BREATHER

### NOT ILLUSTRATED

531 02 98-43	1	GASKET, EXHAUST
531 02 97-40	1	O-RING, INTAKE PORT

## CRANKCASE 2-32-1

1	531 02 96-63	1	DIPSTICK, ASSY (INCLUDES 2)
2	531 02 96-65	1	O-RING, DIPSTICK
3	531 02 95-50	1	SCREW, FLG THD FRM M5X0.8X13
4	531 02 96-60	1	KIT, OIL FILL TUBE (INCLUDES 5,6)
5	531 02 96-62	1	O-RING, UPPER OIL FILL TUBE
6	531 02 96-58	1	O-RING, LOWER OIL FILL TUBE
7	531 02 96-59	1	BRACKET, OIL FILL TUBE
8	531 02 97-79	1	SEAL, OIL
9	-----	1	CRANKCASE (USE SHORT BLOCK)
10	531 02 96-56	1	RETAINER, BREATHER REED
11	544 84 03-01	1	REED, BREATHER
12	531 02 96-35	6	PIN, LOCATING
13	531 02 96-36	2	CONNECTING ROD (STD)
14	531 02 99-49	2	KIT, PISTON W/RING SET (STD) (INCLUDES 15, 16)
	544 84 13-01	1	KIT, PISTON W/RING SET (.25)
	544 84 14-01	1	KIT, PISTON W/RING SET (.08)
15	531 02 96-45	4	RETAINER, PISTON PIN
16	531 02 96-43	2	RING SET (STD & .08)
	531 02 99-09	1	RING SET (.25)
17	531 02 96-48	1	SHIM, CAMSHAFT (WHITE .028")
	531 02 96-49	1	SHIM, CAMSHAFT (BLUE .03")
	531 02 96-46	1	SHIM, CAMSHAFT (RED .032")
	531 02 96-50	1	SHIM, CAMSHAFT (YELLOW .034")
	531 02 96-50	1	SHIM, CAMSHAFT (GREEN .036")
	531 02 96-51	1	SHIM, CAMSHAFT (GRAY .038")
	531 02 96-47	1	SHIM, CAMSHAFT (BLACK .04")
18	531 02 99-50	1	KIT, CAMSHAFT (INCLUDES 544 84 04-01)
19	531 02 96-68	1	SEAL, GOVERNOR CROSS SHAFT
20	531 02 96-66	1	RETAINER, RING
21	531 02 96-67	1	WASHER, FLAT 9 MM
22	531 02 96-69	1	WASHER, FLAT 11/32"
23	531 02 96-70	1	SHAFT, GOVERNOR CROSS

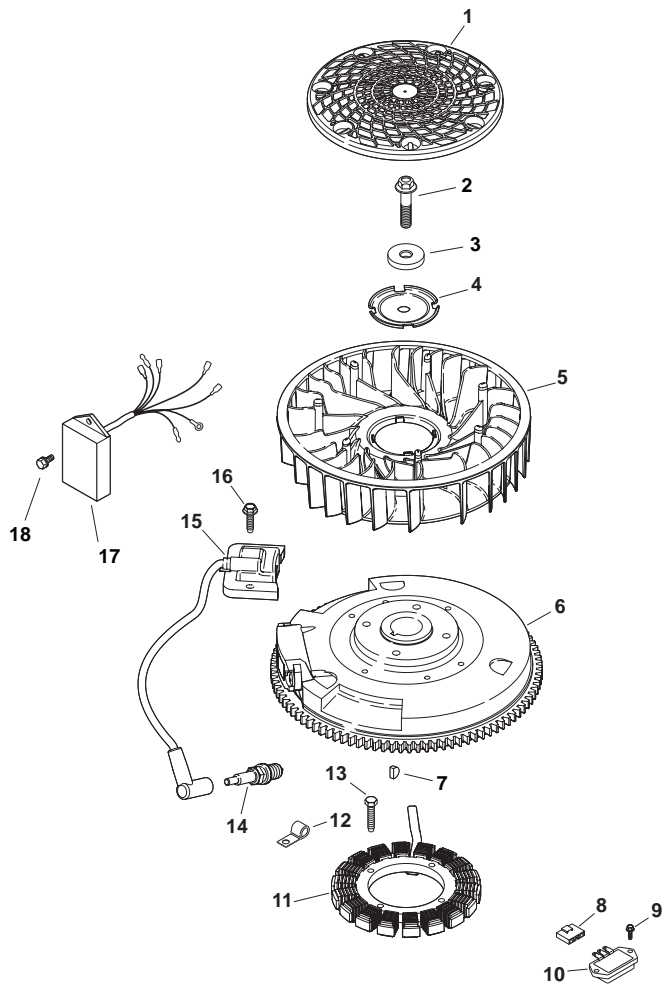
### NOT ILLUSTRATED

544 84 04-01	1	LUBRICANT, CAMSHAFT
--------------	---	---------------------

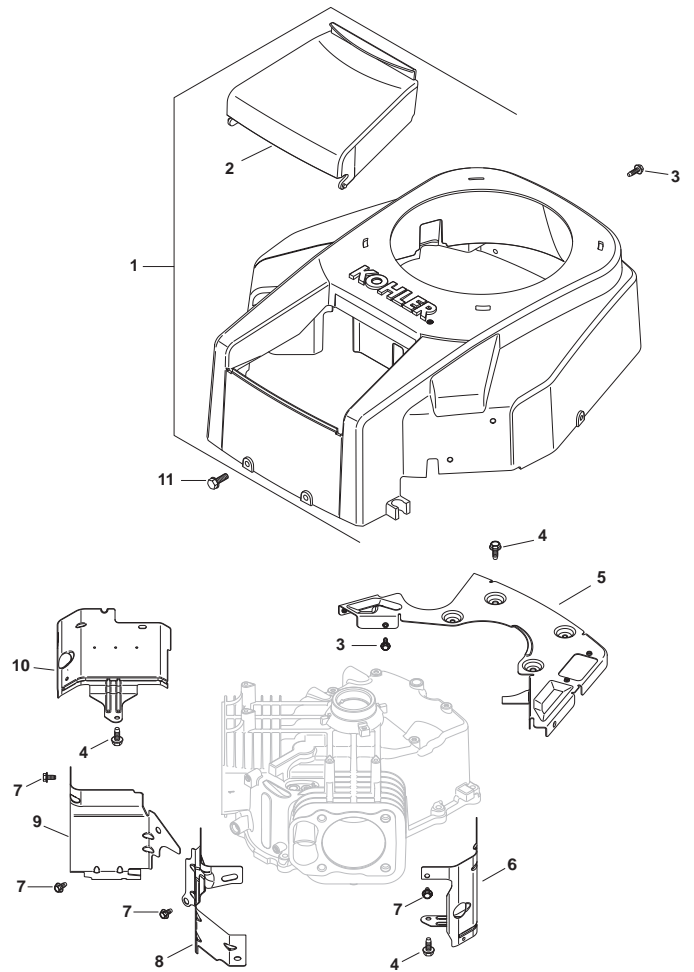
NOTE: All component dimensions given in U.S. inches  
1 inch = 25.4 mm

# KOHLER ENGINE - MODEL NO. SV740, TYPE NO. 0016

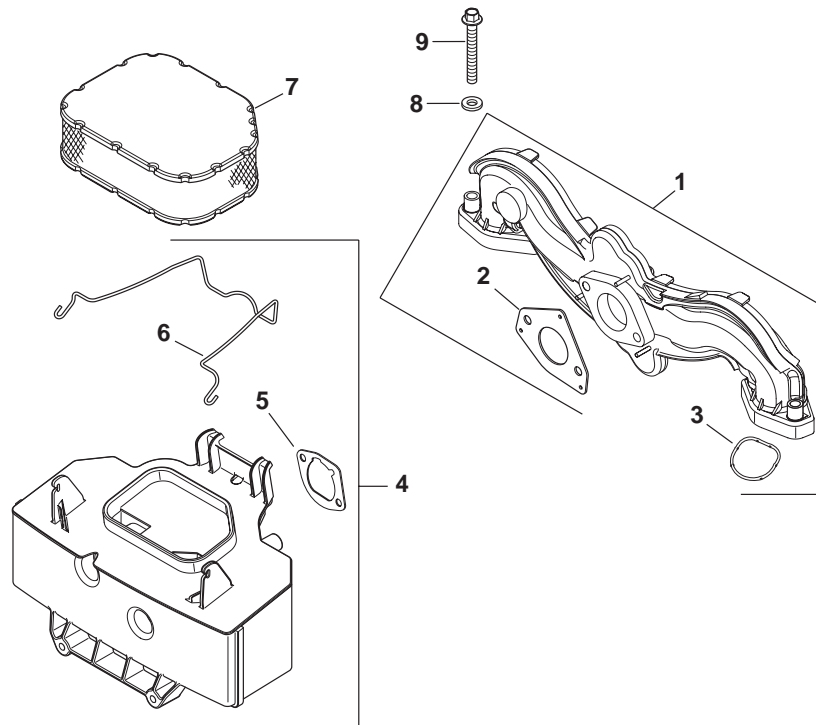
## IGNITION/ELECTRICAL



## BLOWER HOUSING & Baffles



## AIR INTAKE



# KOHLER ENGINE - MODEL NO. SV740, TYPE NO. 0016

## IGNITION/ELECTRICAL 5-32-16

1	531 02 99-70	1	SCREEN, GRASS
2	531 02 95-73	1	SCREW, FLG M10X1.5X45
3	531 02 95-74	1	WASHER, FLAT 13/32"
4	531 02 95-75	1	PLATE, FAN MOUNTING
5	531 02 99-73	1	FAN
6	531 02 99-74	1	FLYWHEEL
7	531 02 95-11	1	KEY, 3/16" X 5/8"
8	531 02 95-83	1	CONNECTOR (3 CONTACT)
9	531 02 97-59	2	SCREW, HVY FLG M5X0.8X16
10	531 02 95-85	1	RECTIFIER-REGULATOR
11	531 02 95-82	1	KIT, 15 AMP STATOR
12	531 02 97-83	2	CLIP, CABLE
13	531 02 95-81	2	SCREW, THD FRM M5X0.8X25
14	531 02 99-75	2	SPARK PLUG, RFI
15	531 02 99-76	2	MODULE, RFI IGN W/SLEEVE (FIXED)
16	531 02 95-84	4	SCREW, FLG THD FRM M5X0.8X20
17	544 84 34-01	1	MODULE, SPEED ADVANCE
18	544 84 39-01	2	SCREW, THD FRM M4X0.7X10

## NOT ILLUSTRATED

531 02 97-54	2	TIE, WIRE
531 02 99-77	1	HARNESS, WIRING

## BLOWER HOUSING & BAFFLES 6-32-2

1	531 02 99-78	1	KIT, HOUSING BLOWER (INCLUDES 2, 531 02 99-27)
2	531 02 99-79	1	COVER, AIR CLEANER
3	531 02 96-61	6	SCREW, FLG THD FRM M5X0.8X16
4	M-645016-S	6	SCREW, FLG THD FRM M6X1.0X16
5	531 02 97-62	1	PLATE, BACKING
6	32 063 05-S	1	BAFFLE, CYL BARREL - #2 SIDE
7	531 02 96-55	5	SCREW, FLG THD FRM M5X0.8X10
8	531 02 99-82	1	BAFFLE, VALLEY #2 SIDE
9	531 02 99-83	1	BAFFLE, VALLEY #1 SIDE
10	544 84 36-01	1	BAFFLE, CYL BARREL - #1 SIDE
11	531 02 96-79	2	SCREW, TAP M6X1.7X18

## NOT ILLUSTRATED

531 02 99-27	1	NAMEPLATE, SERVICE
--------------	---	--------------------

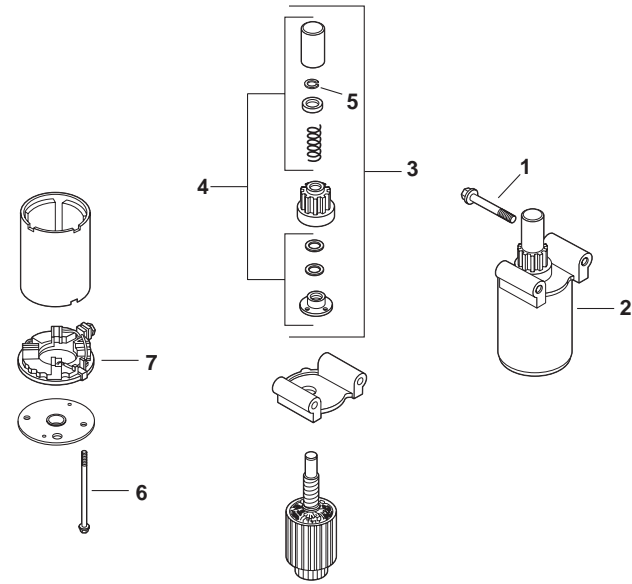
## AIR INTAKE/FILTRATION 10-32-1

1	531 02 98-37	1	MANIFOLD, INTAKE (INCLUDES 2,3)
2	531 02 95-90	1	GASKET, CARBURETOR
3	531 02 97-40	2	O-RING, INTAKE PORT
4	544 84 06-01	1	KIT, AIR CLEANER BASE (INCLUDES 5,6)
5	531 02 97-80	1	GASKET, AIR CLEANER BASE
6	531 02 99-97	1	LATCH, AIR CLEANER ELEMENT
7	531 02 99-02	1	ELEMENT, AIR FILTER
8	531 02 97-48	1	WASHER, FLAT 1/4"
9	531 02 98-41	4	SCREW, FLG M6X1.0X40

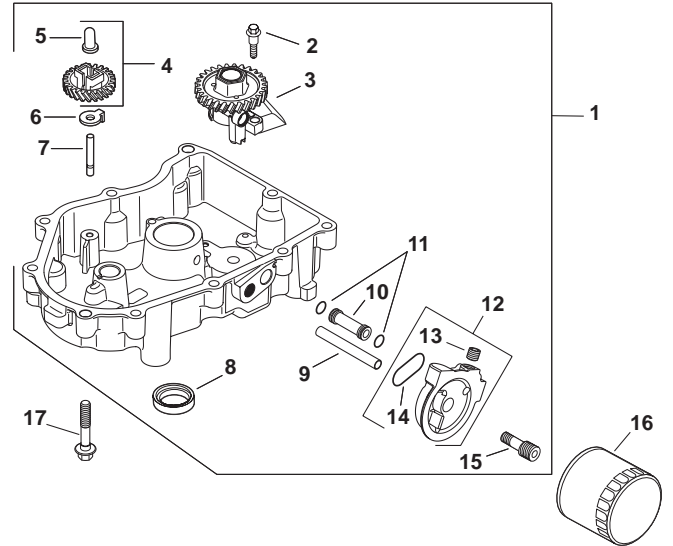
NOTE: All component dimensions given in U.S. inches  
1 inch = 25.4 mm

# KOHLER ENGINE - MODEL NO. SV740, TYPE NO. 0016

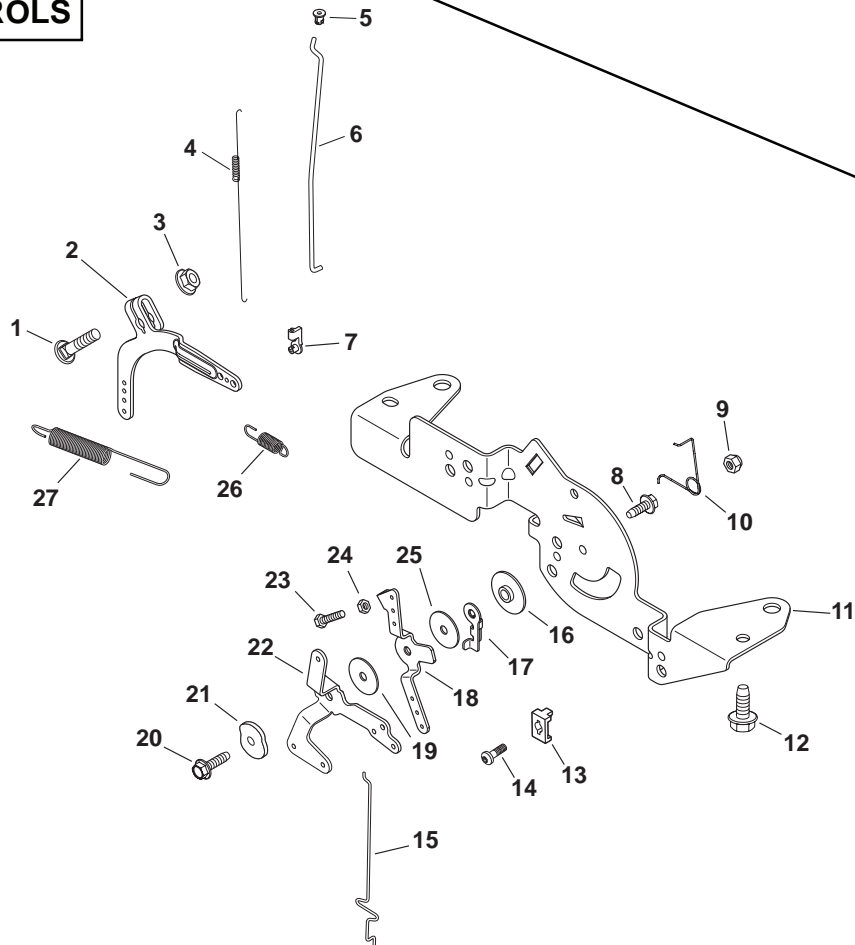
## STARTING SYSTEM



## OIL PAN/LUBRICATION



## ENGINE CONTROLS



# KOHLER ENGINE - MODEL NO. SV740, TYPE NO. 0016

## STARTING SYSTEM 7-32-1

1	531 02 97-71	2	SCREW, FLG M8X1.25X80
2	531 02 99-85	1	STARTER ASSEMBLY
3	531 02 99-89	1	KIT, DRIVE
4	531 02 99-90	1	KIT, DRIVE PARTS (INCLUDES 5)
5	544 84 10-01	1	RING, RETAINING
6	544 84 38-01	2	BOLT, THRU
7	531 02 99-91	1	COMMUTATOR, END CAP

## OIL PAN/LUBRICATION 3-32-1

1	531 02 99-54	1	PAN ASSEMBLY, OIL (INCLUDES 2-15)
2	531 02 99-55	2	SCREW, SHD THD FRM M6x1.0x26.5
3	531 02 99-56	1	PUMP ASSEMBLY, OIL
4	531 02 96-78	1	KIT, GOVERNOR GEAR W/PIN (INCLUDES 5)
5	531 02 95-49	1	PIN, GOVERNOR REGULATING
6	531 02 99-12	1	TAB, LOCKING
7	531 02 96-81	1	SHAFT, GOVERNOR GEAR
8	531 02 96-83	1	SEAL, OIL (PTO END)
9	531 02 99-57	1	TUBE, OIL FEED - FILTER TO PAN
10	531 02 99-43	1	TUBE, OIL FEED - PAN TO FILTER
11	531 02 96-74	2	O-RING, OIL PICK-UP
12	531 02 99-58	1	KIT, ADAPTER OIL FILTER (INCLUDES 13,14)
13	531 02 95-43	1	PLUG, CTSK 1/8"
14	531 02 99-59	1	O-RING, OIL FILTER ADAPTER
15	531 02 99-60	1	NIPPLE, OIL FILTER
16	531 02 97-86	1	FILTER, OIL
17	531 02 96-87	10	SCREW, FLG M8X1.25X45

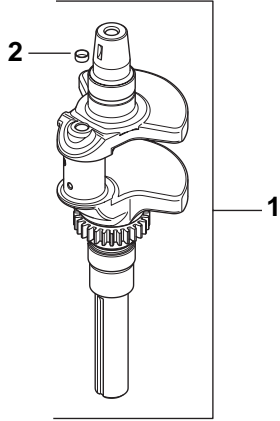
## ENGINES CONTROLS 9-32-1

1	531 02 97-97	1	BOLT, RD HD SQ NECK M6X1.0X25
2	531 02 97-98	1	LEVER, GOVERNOR
3	531 02 96-02	1	NUT, FLG M6X1.0
4	531 02 98-00	1	SPRING, LINKAGE
5	531 02 96-26	1	BUSHING, LINKAGE RETAINING
6	531 02 98-02	1	LINKAGE, THROTTLE
7	531 02 96-24	1	BUSHING, THROTTLE LINKAGE
8	531 02 96-61	1	SCREW, FLG THD FRM M5X0.8X16
9	531 02 98-05	1	NUT, LOCK M5X0.8
10	531 02 98-06	1	SPRING, CHOKE RETURN
11	531 02 99-33	1	BRACKET, CONTROL
12	531 02 97-62	4	SCREW, FLG THD FRM M6X1.0X16
13	531 02 96-13	2	CLAMP, CABLE
14	531 02 96-14	2	SCREW, LBD THD FRM M5X0.8X16
15	531 02 98-21	1	LINKAGE, CHOKE
16	531 02 98-11	1	SPACER, CONTROL ASSEMBLY
17	531 02 98-12	1	LEVER, THROTTLE ACTUATOR
18	531 02 98-15	1	LEVER, THROTTLE CONTROL
19	531 02 98-16	1	WASHER, FLAT 5.5 MM
20	531 02 95-84	1	SCREW, FLG THD FRM M5X0.8X20
21	531 02 98-19	1	WASHER, SPRING 1/4"
22	531 02 98-18	1	LEVER, CHOKE
23	531 02 97-28	1	SCREW, SLT HD CAP M4X0.7X25
24	531 02 98-14	1	NUT, M4X0.7
25	531 02 98-13	1	WASHER, FLAT 5 MM
26	531 02 98-23	1	SPRING, GOVERNOR
27	531 02 99-34	1	SPRING, GOVERNOR

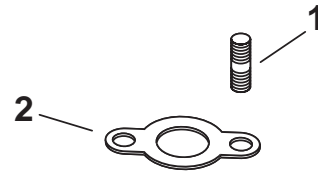
NOTE: All component dimensions given in U.S. inches  
1 inch = 25.4 mm

# KOHLER ENGINE - MODEL NO. SV740, TYPE NO. 0016

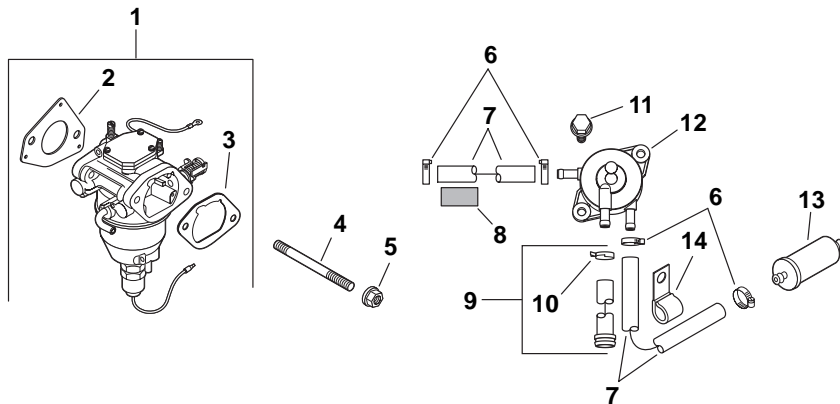
## CRANKSHAFT



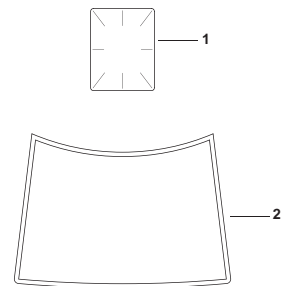
## EXHAUST



## FUEL SYSTEM



## DECALS



Artwork is representative.  
Actual labels may differ depending on model and specification number.



# KOHLER ENGINE - MODEL NO. SV740, TYPE NO. 0016

## CRANKSHAFT 1-32-1

- 1 544 84 05-01 1 CRANKSHAFT (INCLUDES 2)
- 2 531 02 96-54 1 PLUG, CUP

## EXHAUST 11-32-2

- 1 531 02 96-31 4 STUD, M8X1.25X33
- 2 531 02 98-43 2 GASKET, EXHAUST

## SHORT BLOCK 42-32-2

- 544 84 11-01 1 SHORT BLOCK
- 544 46 61-01 1 GASKET SET

## FUEL SYSTEM 8-32-1

- 1 544 84 12-01 1 KIT, CARBURETOR W/GASKETS  
(INCLUDES 2,3)
- 2 531 02 95-90 1 GASKET, CARBURETOR
- 3 531 02 97-80 1 GASKET, AIR CLEANER BASE
- 4 531 02 99-92 2 STUD, M6X1.0X106
- 5 531 02 96-02 2 NUT, FLG M6X1.0
- 6 531 02 96-04 4 CLAMP, HOSE
- 7 531 02 99-87 2 LINE, FUEL (24"-CUT TO LENGTH)
- 8 544 46 59-01 1 SLEEVE, ANTIABRASION
- 9 531 02 99-88 1 KIT, FUEL PUMP HOSE W/CLAMP  
(INCLUDES 10)
- 10 531 02 99-93 1 CLAMP, HOSE
- 11 531 02 96-79 2 SCREW, TAP M6X1.7X18
- 12 544 81 05-01 1 PUMP, FUEL
- 13 531 02 98-62 1 FILTER, FUEL
- 14 531 02 97-83 1 CLIP, CABLE

## NOT ILLUSTRATED

- 531 02 98-09 1 KIT, SERVICE CHOKE REPAIR  
(INCLUDES 2,3)
- 531 02 98-10 1 KIT, SERVICE GASKET REPAIR  
(INCLUDES 2,3)
- 531 02 98-17 1 KIT, FLOAT  
(INCLUDES 2,3)
- 531 02 98-20 1 KIT, SOLENOID VALVE  
(INCLUDES 2,3)
- 531 02 98-31 1 KIT, OVERHAUL  
(INCLUDES 2,3)

## DECALS 12-32-5

- 1 531 02 98-42 1 DECAL, CLEAR LAMINATE
- 2 544 87 18-01 1 DECAL, 27 HP